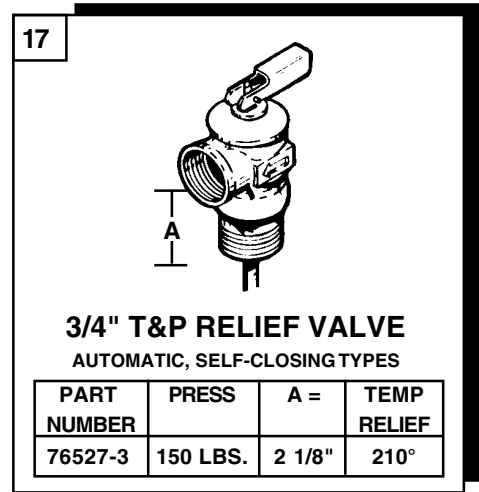
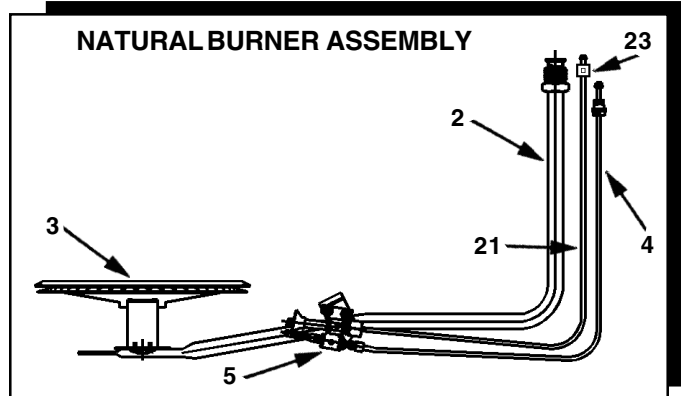
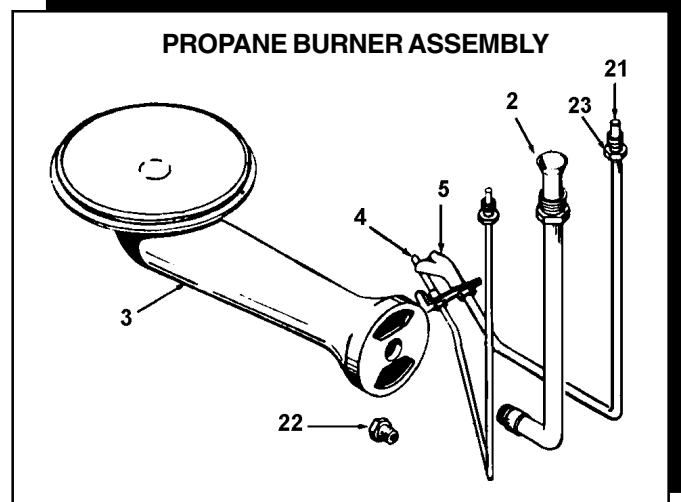
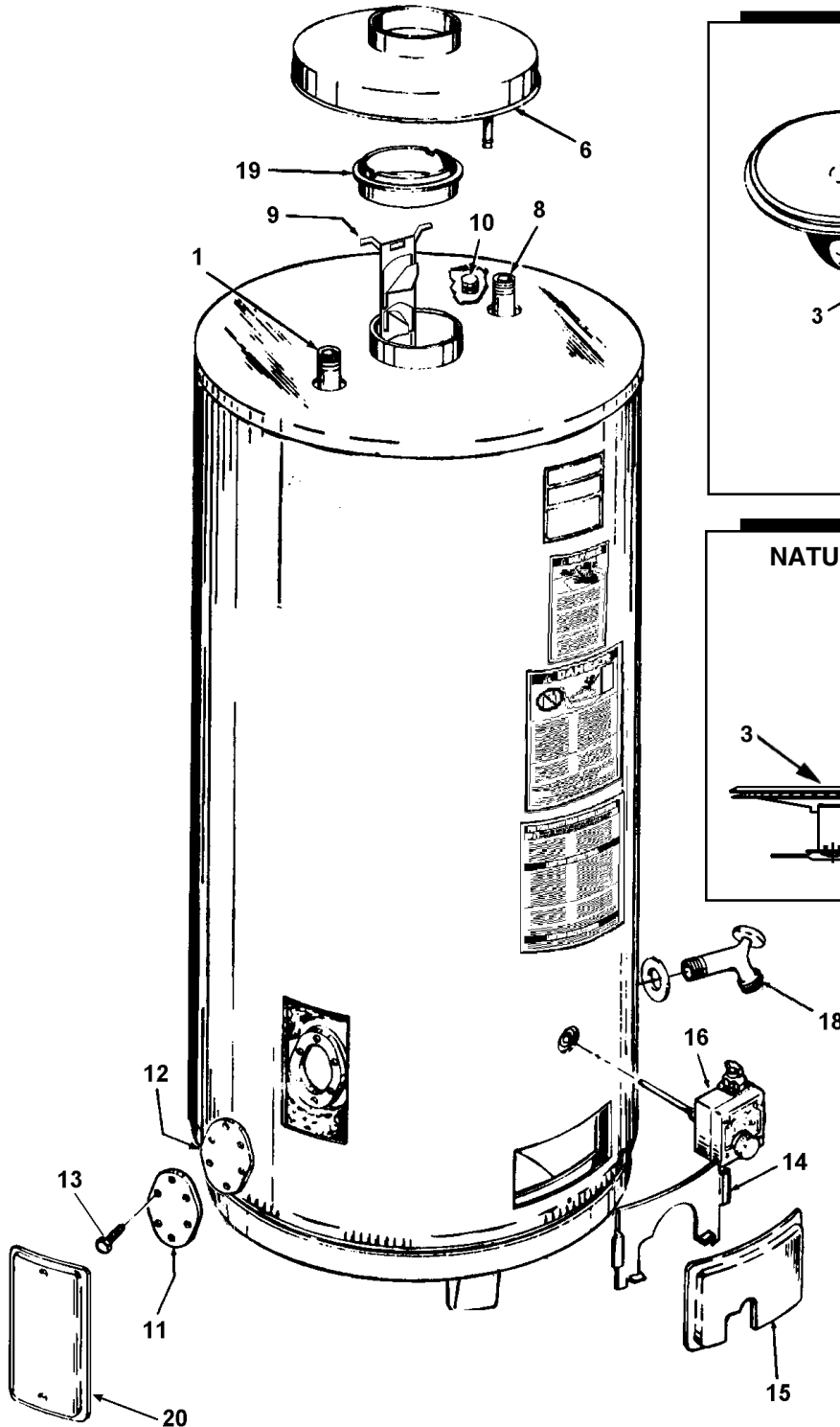


COMMERCIAL WATER HEATERS

REPLACEMENT PARTS LIST

MODELS: SBS75 75 (NE, PE)

SBS100 75 (NE, PE)



STATE WATER HEATERS

500 Lindahl Parkway, Ashland City, TN 37015

Phone: 800-821-2017 • Fax: 800-644-9306

www.statewaterheaters.com

Item	Qty.	Description	SBS75 75 (NE)	SBS75 75 (PE)	SBS100 75 (NE)	SBS100 75 (PE)
1	1	Pipe Nipple	194139	194139	194139	194139
2	1	Burner Tube	194561	181784	194561-1	181784
3	1	Burner	194549	41157-8	194549	41157-8
4	1	Thermocouple	194621	35489-2	194621	35489-2
5	1	Pilot	194550-2	160228-1	194550-2	160228-1
6	1	Draft Hood	39072	39072	39072	39072
* 7	3	Draft Hood Brace	194309	194309	194309	194309
8	1	Inlet Tube	194891	194891	194891-1	194891-1
9	4	Flue Baffle Assembly	194332	194332	194332	194332
10	1	Anode Rod	183463-39	183463-39	183463-48	183463-48
11	1	Cleanout Cover	99037	99037	99037	99037
12	1	Cleanout Gasket	99038	99038	99038	99038
13	1	Cleanout Screw	69852-1	69852-1	69852-1	69852-1
14	1	Inner Door	39923	39923	39923	39923
15	1	Outer Door	39112-1	39112-1	39112-1	39112-1
16	1	Thermostat	190015	191855	190015	191855
17	1	T & P Relief Valve	76527-3	76527-3	76527-3	76527-3
18	1	Drain Valve	26273-7	26273-7	26273-7	26273-7
19	1	Flue Reducer	35405	35405	35405	35405
20	1	Front Cover	181260	181260	181260	181260
21	1	Pilot Tube	194552	160190	194552	160190
22	1	Orifice	181508-21	181778-38	181508-19	181778-38
23	1	Fitting Breakaway	32365	32365	32365	32365
24	1	Manual	195313	195313	195313	195313

* Not Illustrated



STATE WATER HEATERS

500 Lindahl Parkway, Ashland City, TN 37015

Phone: 800-821-2017 • Fax: 800-644-9306

www.statewaterheaters.com

Free Manuals Download Website

<http://myh66.com>

<http://usermanuals.us>

<http://www.somanuals.com>

<http://www.4manuals.cc>

<http://www.manual-lib.com>

<http://www.404manual.com>

<http://www.luxmanual.com>

<http://aubethermostatmanual.com>

Golf course search by state

<http://golfingnear.com>

Email search by domain

<http://emailbydomain.com>

Auto manuals search

<http://auto.somanuals.com>

TV manuals search

<http://tv.somanuals.com>