

SELECT™ MANUFACTURED HOUSING



Standard-Vent and Direct-Vent Gas Water Heaters



Complies with HUD Standards for Manufactured Housing Installation. Design-Certified by CSA International -

Also complies with National Appliance Energy Conservation Act (NAECA) energy-efficiency standards effective January 20, 2004.

Gas Control Is Convertible for Natural and Propane Gas -

For flexibility to meet the varying needs of Manufactured Housing installations.

Side-Mounted 3/4" Cold Water Inlet - For ease of installation when cold water supply originates below the structure. Top-mounted 3/4" hot water outlet.

Direct-Vent Models Packaged with Bottom Intake Air Vent -

To draw all combustion make-up air from outside the structure.

Optional Ducted Air Inlet Kit for Direct-Vent Models - For use when water heater is installed over a basement. Provision for horizontal air inlet ducting up to 30 feet, using Schedule 40 PVC pipe. Kit includes 45° rodent-proof termination cap and wall collars. Kit #9002986 for 30 and 40 gallon models. Kit #9002987 for 50-gallon models.

Approved Roof Jack Kits Required for Installation of Direct-Vent Models -

Four kits available to accommodate vertical vent distances from 12" to 96" (see back of sheet).

Green Choice™ Eco-Friendly Gas Burner - Patented design reduces NO_x emissions by up to 33% and complies with Southern California and Texas requirements.

Glass-Lined Tank - For long-lasting protection against rust and corrosion.

Anode Rod - Helps protect against rust and corrosion for long life.

Factory-Installed Temperature & Pressure (T&P) Relief Valve

Maximum Hydrostatic Working Pressure 150 PSI

6-Year Tank and 2-Year Limited Parts Warranty

For more information on State® contact:
State Water Heaters
500 Tennessee Waltz Parkway, Ashland City, TN 37015
800-365-0024 Toll-free
www.statewaterheaters.com

SOLID.STATE.



SELECT™ MANUFACTURED HOUSING



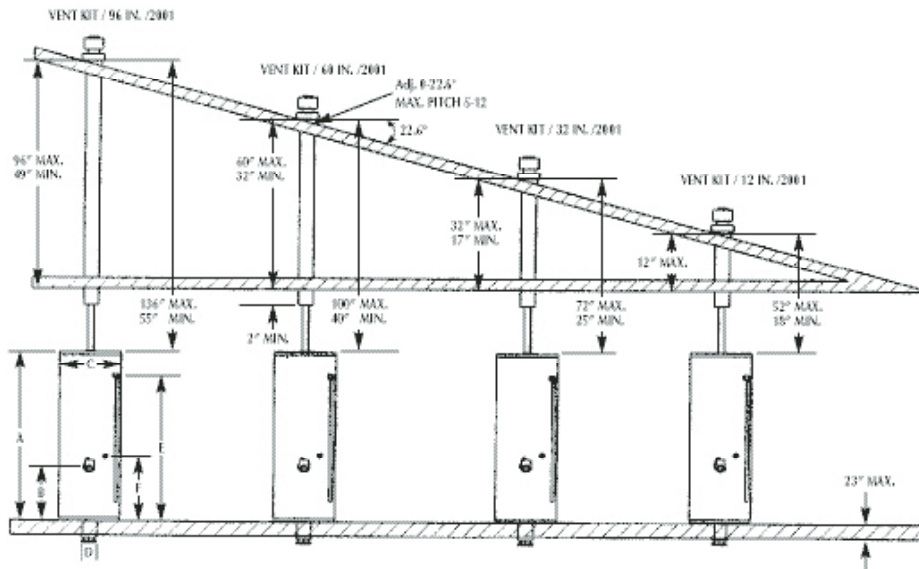
Standard-Vent and Direct-Vent Gas Water Heaters

MODEL NUMBER	PEAK DEMAND OUTPUT (1st Hour Rating Gallons)	ENERGY FACTOR	GAL. CAP.	BTU INPUT PER HOUR NATURAL/PROPANE	RECOVERY 90°F RISE GALLONS	R VALUE	DIMENSIONS IN INCHES						APPROX. SHIPPING WEIGHT (LBS.)	
							A	B	C	D	E	F		DRAFT HOOD OUTLET
STANDARD-VENT MODELS – See Figure 2														
GS6 30 YOMT	69	0.61	30	35,000/32,000	36	8	61-3/4	57-1/4	16	13-1/4	17-3/4	51-1/2	3-4	115
GS6 40 YOMT	66	0.59	40	35,500/35,500	37	8	59-1/4	54-3/4	18-1/2	13-1/4	17-3/4	48-1/2	3-4	134
GS6 50 YOMT	88	0.58	50	40,000/37,000	41	8	61-1/2	57	20	13-1/4	TOP	50	3-4	168
DIRECT-VENT MODELS (ORDER ROOF JACK KIT SEPARATELY) – See Figure 1														
PR6 30 NHDST2	54	0.61	30	30,000	31	16	–	56	18	15-1/4	16-3/4	51-1/2	3-1/2	115
PR6 40 NHDST2	64	0.59	40	32,000	33	16	–	56-1/2	20	15-1/4	20-3/4	51	3-1/2	134
PR6 50 NHDST2	77	0.58	50	38,000	39	16	–	56	22	15-1/4	23-1/4	50-1/2	4-1/2	170

*Not equipped with C3 Technology.
Recoveries are rounded to nearest gallon.

Approved Roof Jack Kits for Direct-Vent Models

Direct-Vent Manufactured Housing water heaters must be installed using one of these approved Roof Jack Kits, which must be ordered separately. "Min." and "Max." dimensions indicate kit adjustability for varying vent distances, as shown in drawing.

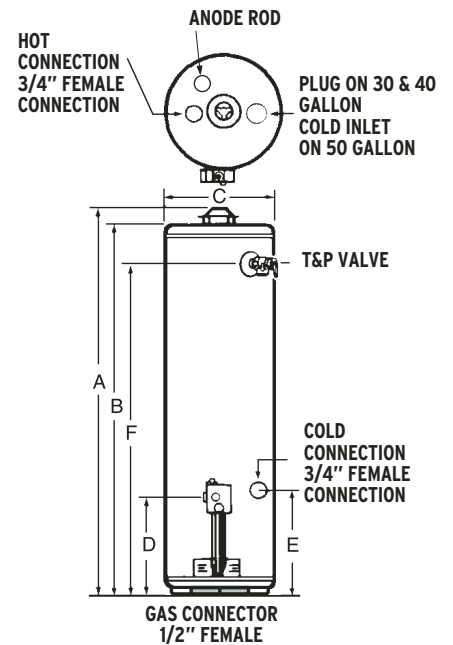


Direct-Vent Models (Figure 1)

For complete information on limited warranties, consult written warranty, or contact the State Customer Care Center, 1-800-365-0024.

State Industries, Inc. reserves the right to make product changes or improvements without prior notice.

KIT NUMBER	MIN.	MAX.	SHIP. WEIGHT
9002964	–	12"	10 lbs.
9002965	17"	32"	13 lbs.
9002966	32"	60"	27 lbs.
9002967	49"	96"	22 lbs.



Standard-Vent Models (Figure 2)

For more information on State® contact:
State Water Heaters
500 Tennessee Waltz Parkway, Ashland City, TN 37015
800-365-0024 Toll-free
www.statewaterheaters.com

SOLID. STATE.



Free Manuals Download Website

<http://myh66.com>

<http://usermanuals.us>

<http://www.somanuals.com>

<http://www.4manuals.cc>

<http://www.manual-lib.com>

<http://www.404manual.com>

<http://www.luxmanual.com>

<http://aubethermostatmanual.com>

Golf course search by state

<http://golfingnear.com>

Email search by domain

<http://emailbydomain.com>

Auto manuals search

<http://auto.somanuals.com>

TV manuals search

<http://tv.somanuals.com>