



A KOHLER COMPANY

PERFORMA™

60" (152.4 cm) AFD BATH

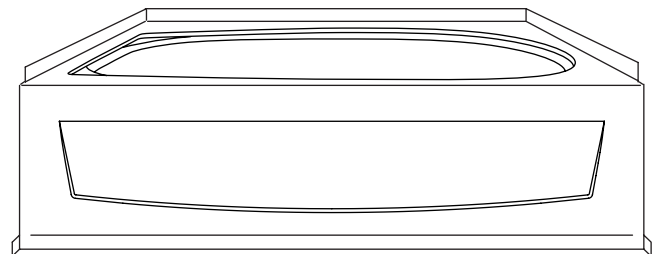
71041112

ALSO 71041122



Features

- Compression molded from Sterling's exclusive solid Vikrell® material
- Above floor drain rough-in
- Factory installed Vikrell® apron extension and plastic undersupport for ease of installation
- Durable high gloss finish
- Lightly pebbled bottom surface for sure footing
- 10 year consumer/3 year commercial limited warranty
- 17-1/4" (43.8 cm) bath depth (floor to top of dam)
- 60" (152.4 cm) x 30-1/4" (76.8 cm) x 18-1/2" (47 cm) complete unit rough-in dimensions include flanges
- 60" (152.4 cm) x 29" (73.7 cm) x 17-1/4" (43.8 cm) complete unit finished dimensions



Codes/Standards Applicable

Specified model meets or exceeds the following:

- ANSI Z124.1.2
- ASTM E162
- ASTM E662
- IAPMO/UPC
- CSA International
- CSA B45

Colors/Finishes

- 0: White
- Other: Refer to Price Book for additional colors/finishes

Specified Model

Model	Description	Colors/Finishes	
71041112	60" (152.4 cm) AFD bath, left drain	<input type="checkbox"/> 0	<input type="checkbox"/> Other_____
71041122	60" (152.4 cm) AFD bath, right drain	<input type="checkbox"/> 0	<input type="checkbox"/> Other_____

SterlingPlumbing.com

Visit us online for fixture color choices, detailed product information, color photos, installation instructions, care guides, and warranties. Sterling offers additional lines of plumbing products to complement the Sterling product you've chosen. Sign up for the Sterling monthly e-newsletter which showcases our latest product innovations. You may also call our Sterling Plumbing Answer Center from within the USA at 1-888-STERLING in addition to consulting with your local dealer. Sterling. Strong. Professional. Design.

PERFORMA™

Technical Information

Fixture*:	water depth	capacity
To overflow	10-1/4" (26 cm)	35 gal (132.5 L)
* Approximate measurements for comparison only.		
Model	door maximum width	door maximum height
71041112 71041122	60" (152.4 cm)*	NA*
* Varies with alternative walls.		

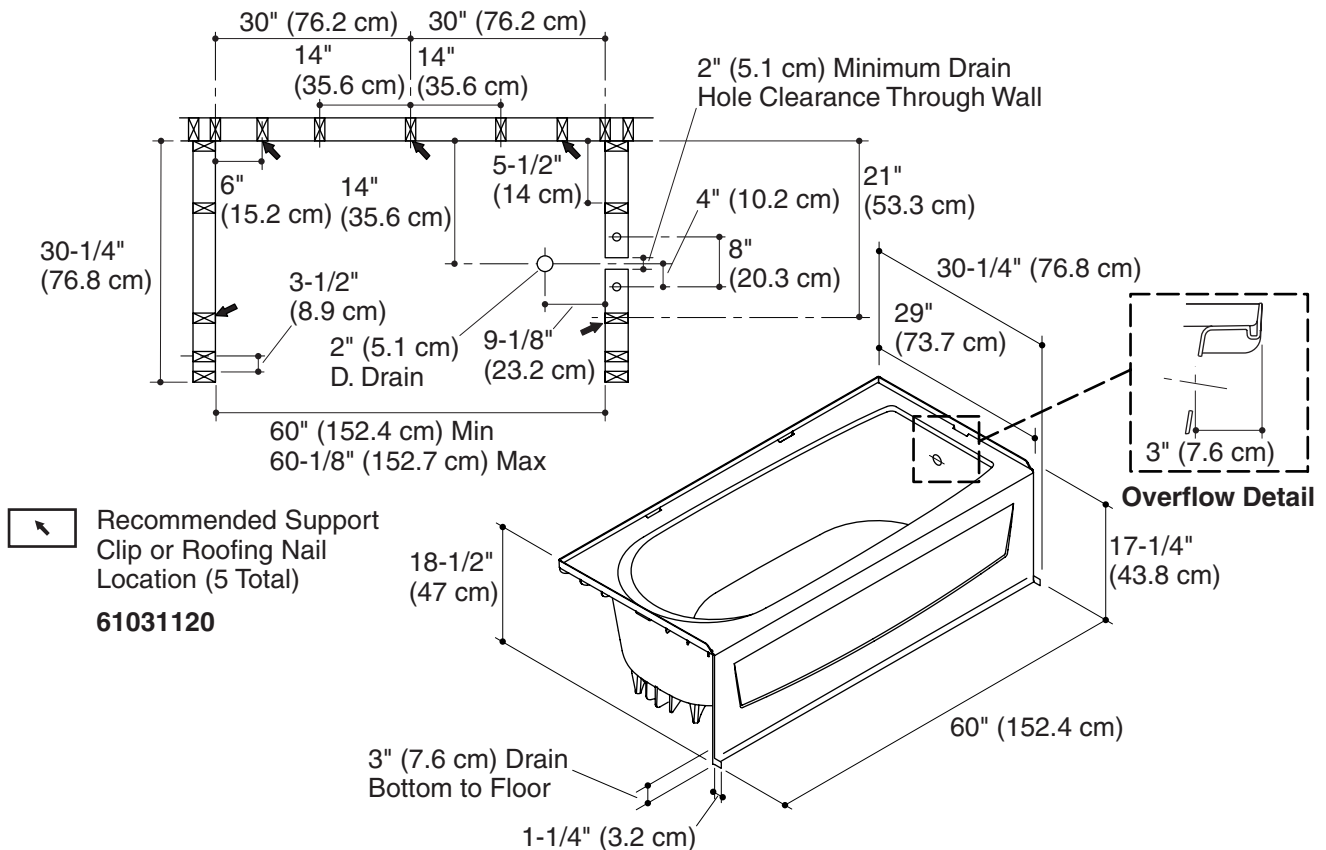
Installation Notes

Install this product according to the installation guide.

Size the drain hole clearance to fit the drain assembly that will be used.

Stud positioning is critical.

Studs should be positioned roughly as shown for support clip or roofing nail installation.



Product Diagram

Free Manuals Download Website

<http://myh66.com>

<http://usermanuals.us>

<http://www.somanuals.com>

<http://www.4manuals.cc>

<http://www.manual-lib.com>

<http://www.404manual.com>

<http://www.luxmanual.com>

<http://aubethermostatmanual.com>

Golf course search by state

<http://golfingnear.com>

Email search by domain

<http://emailbydomain.com>

Auto manuals search

<http://auto.somanuals.com>

TV manuals search

<http://tv.somanuals.com>