



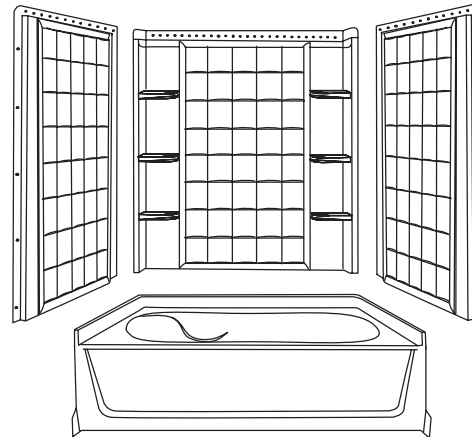
A KOHLER COMPANY

ENSEMBLE™

Features

- Bath and integral apron eliminates installation step
- Compression molded from Sterling's exclusive solid Vikrell® material
- Modular 4-piece design
- Lightly pebbled bottom surface for sure footing
- Tongue-and-groove "snap together" design
- Durable high gloss finish
- 10 year consumer/3 year commercial limited warranty
- Gentle sloping back, neck, and armrest in bath design
- Wall surround allows for attachment of grab bars
- Available with above-the-floor drain
- 60" (152.4 cm) x 37-1/2" (95.3 cm) x 73-1/4" (186.1 cm) complete unit rough-in dimensions
- 60" (152.4 cm) x 36" (91.4 cm) x 72" (182.9 cm) complete unit finished dimensions

36" (91.4 cm) OVAL BATH/SHOWER SYSTEM WITH BACKER BOARDS 71100116



Codes/Standards Applicable

Specified model meets or exceeds the following:

- ASTM E84
- ANSI Z124.1.2
- IAPMO/UPC
- HUD, UM Bulletin 73A
- NAHB Research Foundation, Inc.

Colors/Finishes

- 0: White
- Other: Refer to Price Book for additional colors/finishes

Specified Model

Model	Complete Unit Description	Colors/Finishes	
71100116	Oval bath/shower system and wall surround with backer boards, left drain	<input type="checkbox"/> 0	<input type="checkbox"/> Other_____
71100118	Oval bath/shower system and wall surround with backer boards, above-the-floor left drain	<input type="checkbox"/> 0	<input type="checkbox"/> Other_____
71100126	Oval bath/shower system and wall surround with backer boards, right drain	<input type="checkbox"/> 0	<input type="checkbox"/> Other_____
71100128	Oval bath/shower system and wall surround with backer boards, above-the-floor right drain	<input type="checkbox"/> 0	<input type="checkbox"/> Other_____
Model	Wall Component Description	Colors/Finishes	
71104106	Complete wall set with backer boards	<input type="checkbox"/> 0	<input type="checkbox"/> Other_____

SterlingPlumbing.com

Visit us online for fixture color choices, detailed product information, color photos, installation instructions, care guides, and warranties. Sterling offers additional lines of plumbing products to complement the Sterling product you've chosen. Sign up for the Sterling monthly e-newsletter which showcases our latest product innovations. You may also call our Sterling Plumbing Answer Center from within the USA at 1-888-STERLING in addition to consulting with your local dealer. Sterling. Strong. Professional. Design.

ENSEMBLE™

Technical Information

Fixture:*	basin area	top area
Bathing well	40" (101.6 cm) x 21" (53.3 cm)	52" (132.1 cm) x 29" (73.7 cm)
	water depth	capacity
To overflow	11" (27.9 cm)	40 gal (151.4 L)
* Approximate measurements for comparison only.		

Model	door maximum width	door maximum height
71100116 71100118 71100126 71100128 71100316 71100326	58-1/2" (148.5 cm)	56-1/2" (142.2 cm)

Installation Notes

Install this product according to the installation guide.

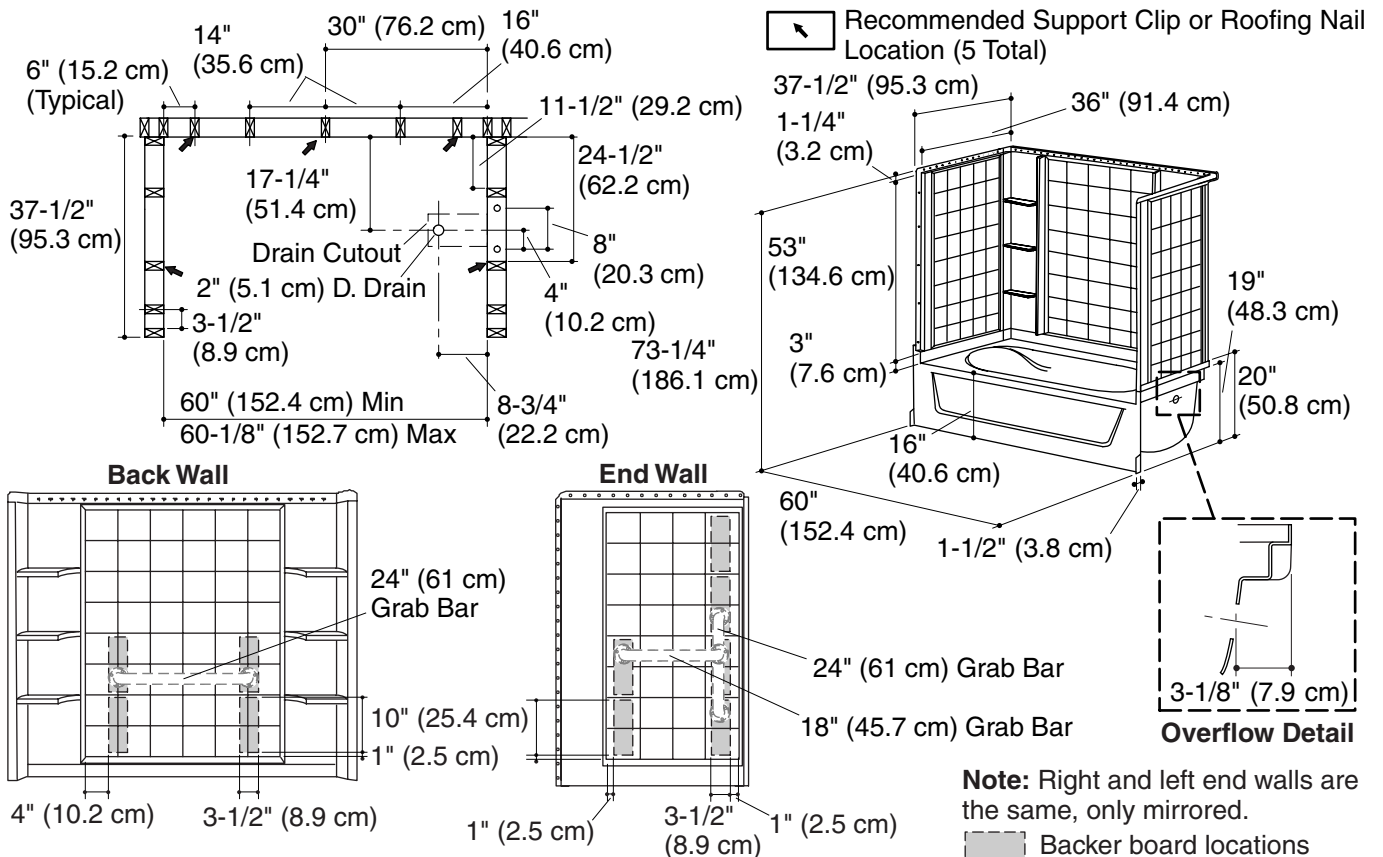
Size the drain cutout to fit the drain assembly that will be used.

End stud positioning is critical if nailing-in flanges are to be used.

Double studding is recommended for pivot shower door installations.

Studs should be positioned roughly as shown for support clip or roofing nail installation.

Attach grab bars at the specified backer board locations only.



Product Diagram

Free Manuals Download Website

<http://myh66.com>

<http://usermanuals.us>

<http://www.somanuals.com>

<http://www.4manuals.cc>

<http://www.manual-lib.com>

<http://www.404manual.com>

<http://www.luxmanual.com>

<http://aubethermostatmanual.com>

Golf course search by state

<http://golfingnear.com>

Email search by domain

<http://emailbydomain.com>

Auto manuals search

<http://auto.somanuals.com>

TV manuals search

<http://tv.somanuals.com>