



A KOHLER COMPANY

ENSEMBLE™

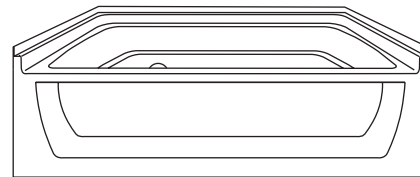
### Features

- Compression molded from Sterling's exclusive solid Vikrell® material
- 1.25 hp pump with air switch and grounding-type plug-in cord
- Durable high gloss finish
- 8 Jets
- Integral apron with removable access panel
- 10 year consumer/3 year commercial limited warranty, pump motor assembly has 1 year limited warranty
- Lightly pebbled bottom surface for sure footing
- 60" (152.4 cm) x 33-1/4" (84.5 cm) x 75-1/4" (191.1 cm) complete unit rough-in dimensions to include flange
- 60" (152.4 cm) x 32" (81.3 cm) x 74" (188 cm) complete unit finished dimensions

32" (81.3 cm) BATH WHIRLPOOL

**76121110**

ALSO 76121120



### Codes/Standards Applicable

Specified model meets or exceeds the following:

- ASME A112.19.7M
- IAPMO/UPC
- ASTM E162
- ASTM E662
- ANSI Z124.1.2
- Underwriters Laboratories (UL)
- HUD, UM Bulletin 73A
- ASTM F462 Slip Resistance

### Colors/Finishes

- 0: White
- Other: Refer to Price Book for additional colors/finishes

### Specified Model

Model	Description	Colors/Finishes	
76121110	32" (81.3 cm) bath whirlpool, left drain	<input type="checkbox"/> 0	<input type="checkbox"/> Other_____
76121120	32" (81.3 cm) bath whirlpool, right drain	<input type="checkbox"/> 0	<input type="checkbox"/> Other_____

### SterlingPlumbing.com

Visit us online for fixture color choices, detailed product information, color photos, installation instructions, care guides, and warranties. Sterling offers additional lines of plumbing products to complement the Sterling product you've chosen. Sign up for the Sterling monthly e-newsletter which showcases our latest product innovations. You may also call our Sterling Plumbing Answer Center from within the USA at 1-888-STERLING in addition to consulting with your local dealer. Sterling. Strong. Professional. Design.

# ENSEMBLE™

## Technical Information

Fixture*:	basin area	top area
Bathing well	42" (106.7 cm) x 20" (50.8 cm)	54" (137.2 cm) x 26" (66 cm)
To overflow	water depth	capacity
	13-3/4" (34.9 cm)	55 gal (208.2 L)

\* Approximate measurements for comparison only.

Pump:	Hp	V	Hz	A
1-speed	1.25	120	60	7

Model	door maximum width	door maximum height
76121110	57-11/16"	NA*
76121120	(146.5 cm)*	

\* Varies with alternative walls.

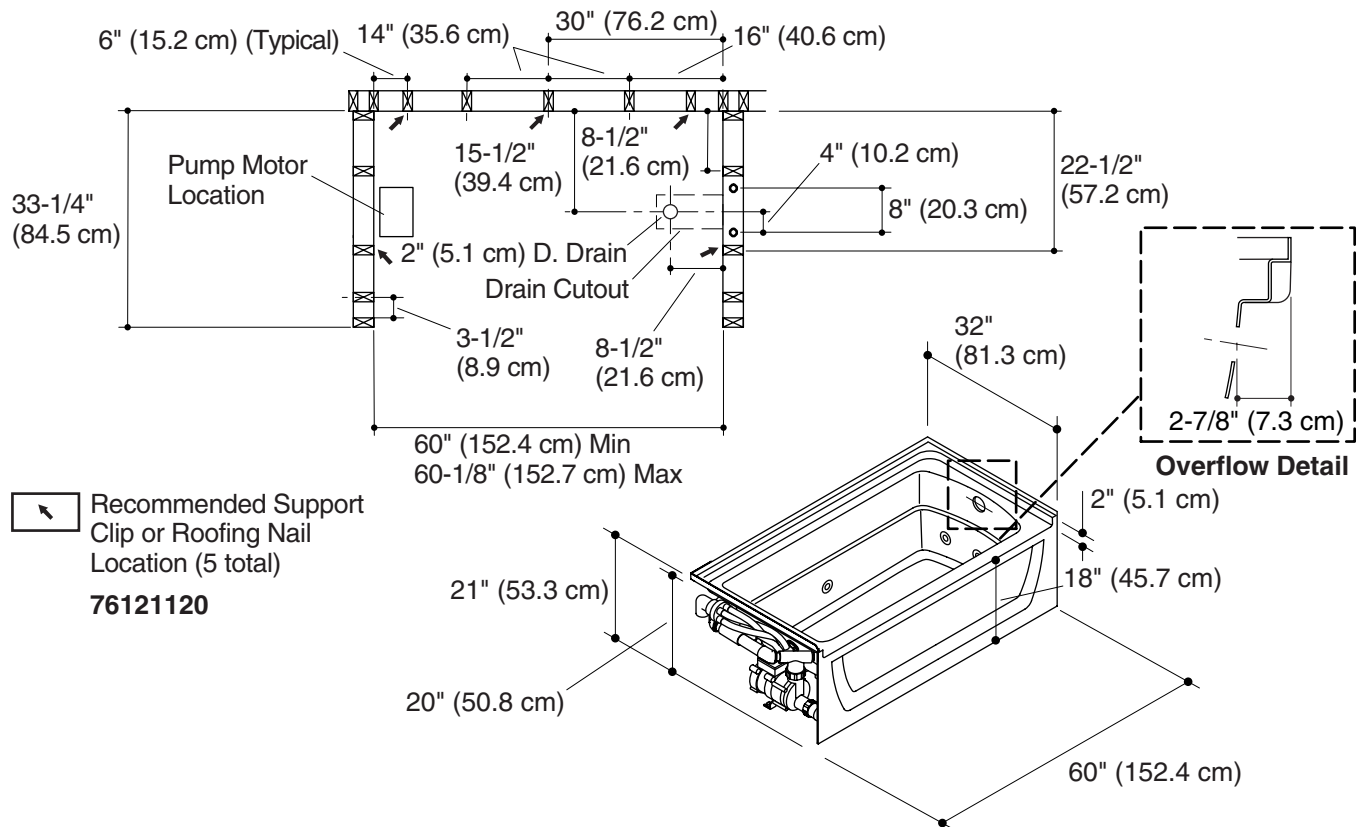
## Required Electrical Service

Dedicated circuit required, protected with Class A Ground-Fault Circuit-Interrupter (GFCI):	
Pump/Control	120 V, 15 A, 60 Hz

## Installation Notes

Install this product according to the installation guide.

Pump is supplied with a grounding-type plug-in cord. Locate the outlet behind the whirlpool, and within 24" (61 cm) of the pump.



## Product Diagram

ENSEMBLE™ 32" (81.3 cm) BATH WHIRLPOOL

Page 2 of 2  
1038459-4-D

**STERLING**  
A KOHLER COMPANY

## Free Manuals Download Website

<http://myh66.com>

<http://usermanuals.us>

<http://www.somanuals.com>

<http://www.4manuals.cc>

<http://www.manual-lib.com>

<http://www.404manual.com>

<http://www.luxmanual.com>

<http://aubethermostatmanual.com>

Golf course search by state

<http://golfingnear.com>

Email search by domain

<http://emailbydomain.com>

Auto manuals search

<http://auto.somanuals.com>

TV manuals search

<http://tv.somanuals.com>