



A KOHLER COMPANY

63" (160 cm) ADA COMPLIANT ROLL-IN SHOWER 62060103

Features

- Modular 4-piece design
- Tongue-and-groove "snap together" design
- Factory installed stainless steel grab bars
- Engineered for ease of installation
- Compression molded from Sterling's exclusive solid Vikrell® material
- Lightly pebbled bottom surface for sure footing
- Durable swirl gloss finish
- 63-1/4" (160.7 cm) x 40-5/8" (103.2 cm) x 73-1/4" (186.1 cm) unit rough-in dimensions include flange
- 63-1/4" (160.7 cm) x 39-3/8" (100 cm) x 72" (182.9 cm) complete unit finished dimensions
- 1/2" (1.3 cm) low profile threshold for easy wheelchair access

Codes/Standards Applicable

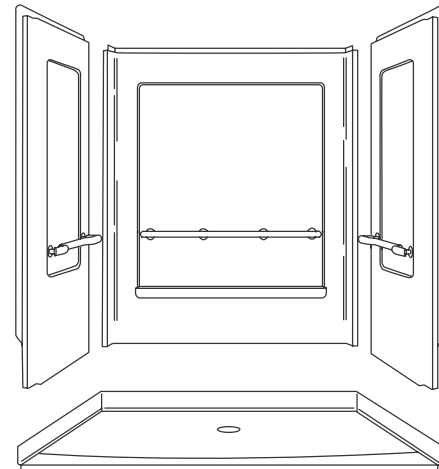
Specified model meets or exceeds the following:

- ADA
- ASTM E162
- ASTM E662
- ICC/ANSI A117.1
- IAPMO/UPC
- HUD, UM Bulletin 73A
- NAHB Research Foundation, Inc.

Specified Model

Model	Description	Colors/Finishes	
62060103	63" (160 cm) ADA compliant* shower receptor and wall surround, with grab bars	<input type="checkbox"/> 0	<input type="checkbox"/> Other_____

*Product is shipped as ADA compliant with factory assembled grabs bars. When properly installed, the complete installation is ADA compliant. Components are also available separately but are provided only as ADA adaptable.



Colors/Finishes

- 0: White
- Other: Refer to Price Book for additional colors/finishes

SterlingPlumbing.com

Visit us online for fixture color choices, detailed product information, color photos, installation instructions, care guides, and warranties. Sterling offers additional lines of plumbing products to complement the Sterling product you've chosen. Sign up for the Sterling monthly e-newsletter which showcases our latest product innovations. You may also call our Sterling Plumbing Answer Center from within the USA at 1-888-STERLING in addition to consulting with your local dealer. Sterling. Strong. Professional. Design.

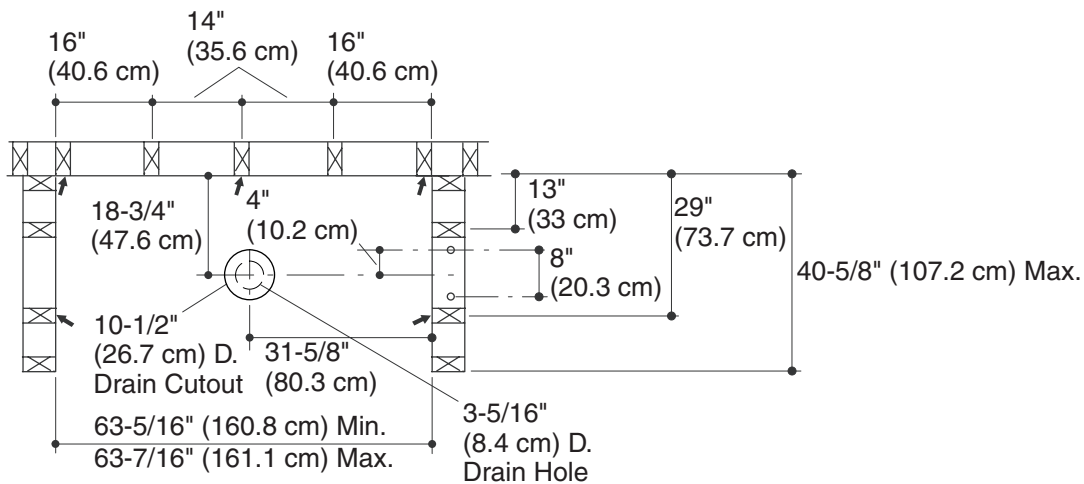
Installation Notes

Install this product according to the installation guide.

Size the drain cutout to fit the drain assembly that will be used.

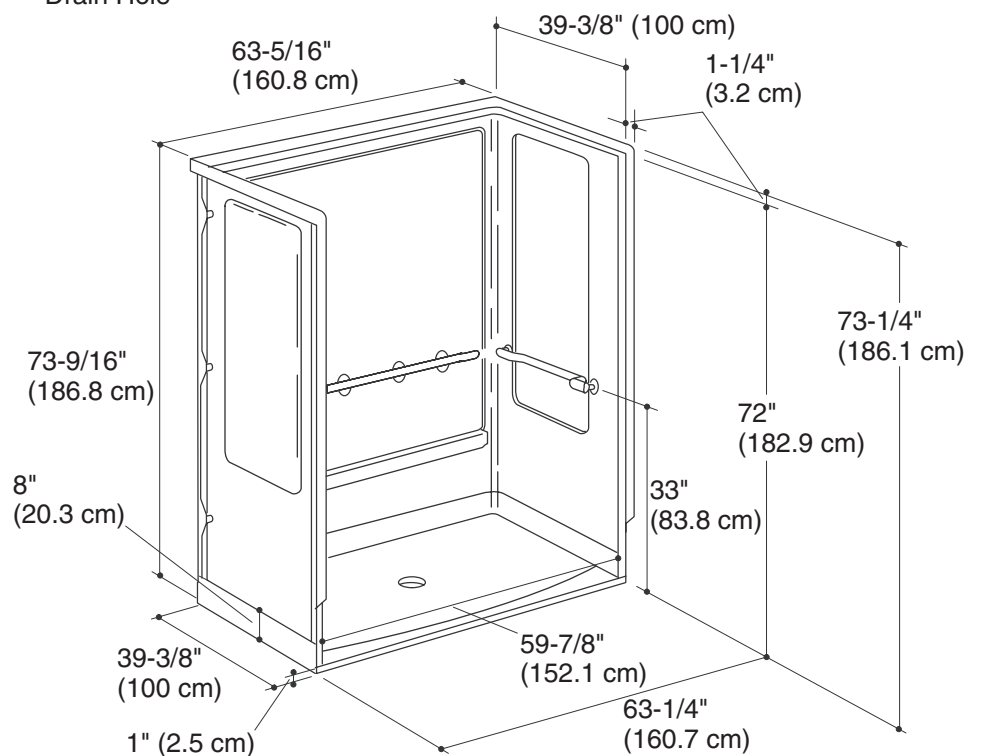
End stud positioning is critical if nailing-in flanges are to be used.

Studs should be positioned roughly as shown for roofing nail installation.



Recommended Roofing Nail Locations (5 total)

62060103



Product Diagram

63" (160 cm) ADA COMPLIANT ROLL-IN SHOWER

Page 2 of 2
1016221-4-D

STERLING
A KOHLER COMPANY

Free Manuals Download Website

<http://myh66.com>

<http://usermanuals.us>

<http://www.somanuals.com>

<http://www.4manuals.cc>

<http://www.manual-lib.com>

<http://www.404manual.com>

<http://www.luxmanual.com>

<http://aubethermostatmanual.com>

Golf course search by state

<http://golfingnear.com>

Email search by domain

<http://emailbydomain.com>

Auto manuals search

<http://auto.somanuals.com>

TV manuals search

<http://tv.somanuals.com>