



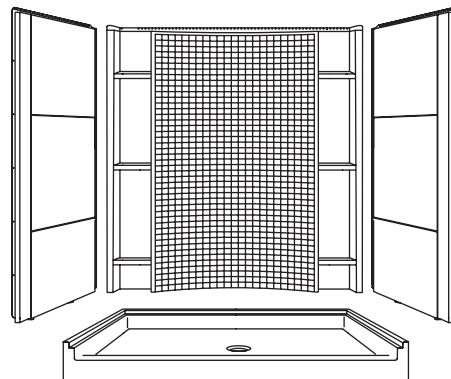
A KOHLER COMPANY

ACCORD™

## Features

- Compression molded from Sterling's exclusive solid Vikrell® material
- Modular 4-piece design
- Pivot "snap together" installation
- Caulkless installation
- Convenient shelves provide generous storage
- Durable high gloss finish
- Lightly pebbled bottom surface for sure footing
- 10 year consumer/3 year commercial limited warranty
- 60-1/8" (152.7 cm) x 37-1/4" (94.6 cm) x 77" (195.6 cm) rough-in dimensions include nailing flange
- 60" (152.4 cm) x 36" (91.4 cm) x 75-3/4" (192.6 cm) complete unit finished dimensions

## 60" (152.4 cm) SHOWER RECEPTOR AND WALL SURROUND 72270100



## Codes/Standards Applicable

Specified model meets or exceeds the following:

- ANSI Z124.1.2
- IAPMO/UPC
- CSA B45.0
- CSA B45.5
- CSA International

## Colors/Finishes

- 0: White
- Other: Refer to Price Book for additional colors/finishes

## Specified Model

Model	Complete Unit Description	Colors/Finishes	
72270100	60" (152.4 cm) shower receptor and wall surround	<input type="checkbox"/> 0	<input type="checkbox"/> Other _____

Model	Wall Component Description	Colors/Finishes	
72272100	60" (152.4 cm) Shower backwall	<input type="checkbox"/> 0	<input type="checkbox"/> Other _____
72271100	60" (152.4 cm) Receptor	<input type="checkbox"/> 0	<input type="checkbox"/> Other _____
72245100	Endwall set	<input type="checkbox"/> 0	<input type="checkbox"/> Other _____

## SterlingPlumbing.com

Visit us online for fixture color choices, detailed product information, color photos, installation instructions, care guides, and warranties. Sterling offers additional lines of plumbing products to complement the Sterling product you've chosen. Sign up for the Sterling e-newsletter to learn more about our latest product innovations. You may also reach us by calling the Sterling Answer Center from within the USA at 1-888-STERLING in addition to consulting with your local dealer.

# ACCORD™

## Technical Information

Model	door maximum width	door maximum height
72270100	56-5/8" (143.8 cm)	72" (182.9 cm)

## Installation Notes

Install this product according to the installation guide.

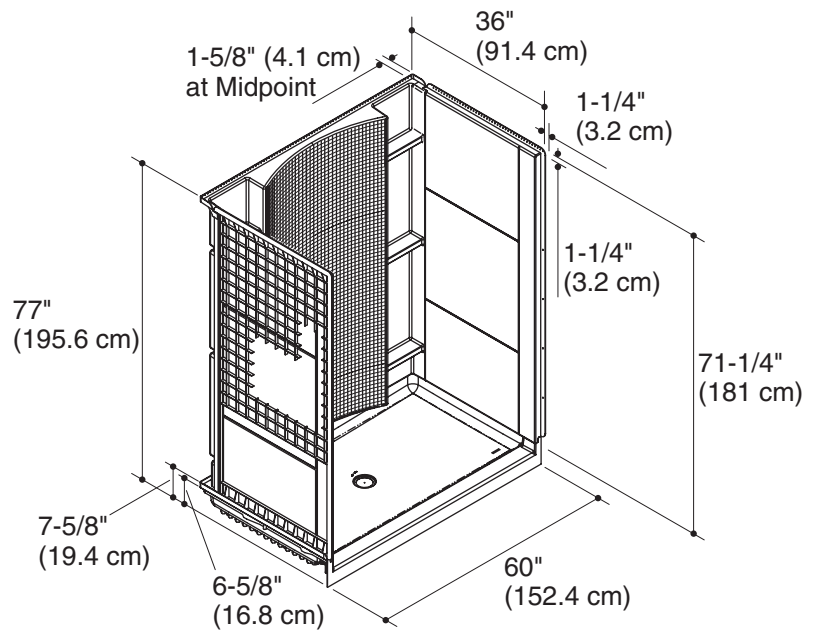
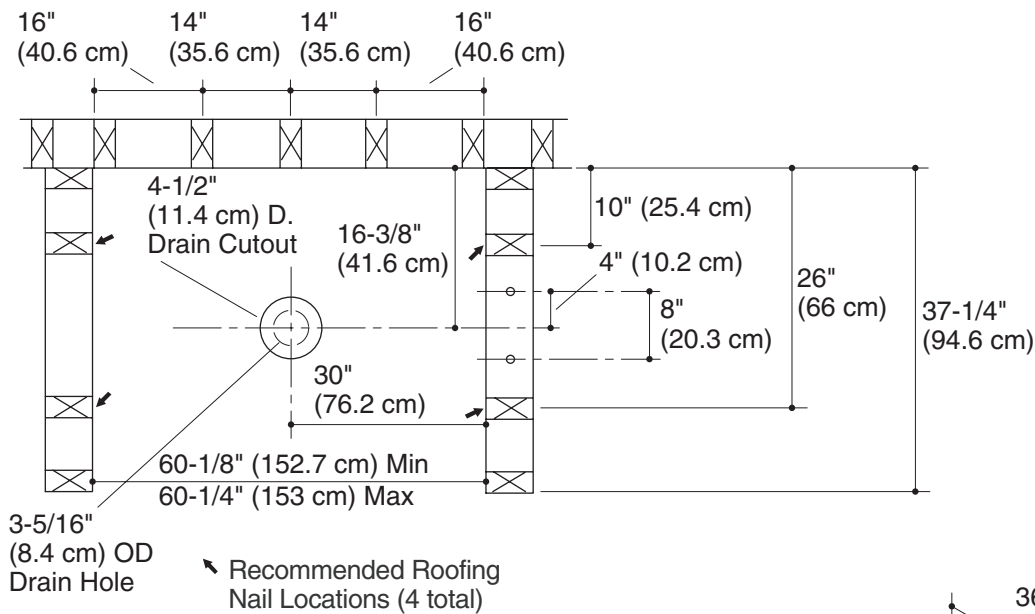
Size the drain cutout to fit the drain assembly that will be used.

End stud positioning is critical.

Double studding is recommended for pivot shower door installations.

Studs should be positioned roughly as shown for roofing nail installation.

Receptor cannot be installed without the wall surround.



## Product Diagram

ACCORD™ 60" (152.4 cm) SHOWER RECEPTOR AND WALL SURROUND

Page 2 of 2  
1092040-4-A



## Free Manuals Download Website

<http://myh66.com>

<http://usermanuals.us>

<http://www.somanuals.com>

<http://www.4manuals.cc>

<http://www.manual-lib.com>

<http://www.404manual.com>

<http://www.luxmanual.com>

<http://aubethermostatmanual.com>

Golf course search by state

<http://golfingnear.com>

Email search by domain

<http://emailbydomain.com>

Auto manuals search

<http://auto.somanuals.com>

TV manuals search

<http://tv.somanuals.com>