



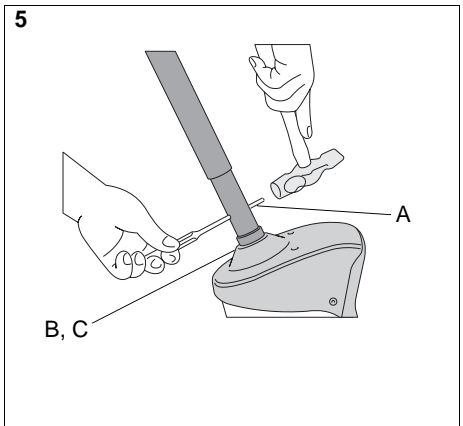
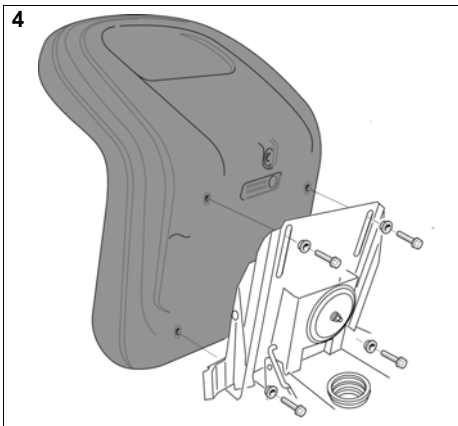
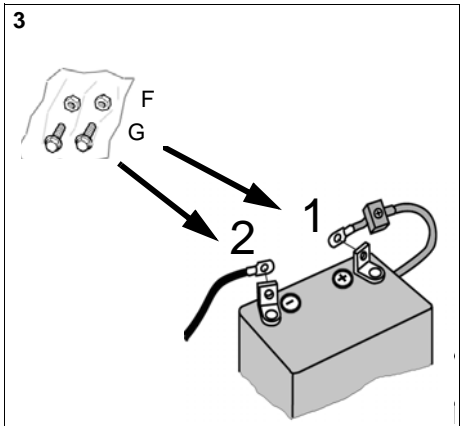
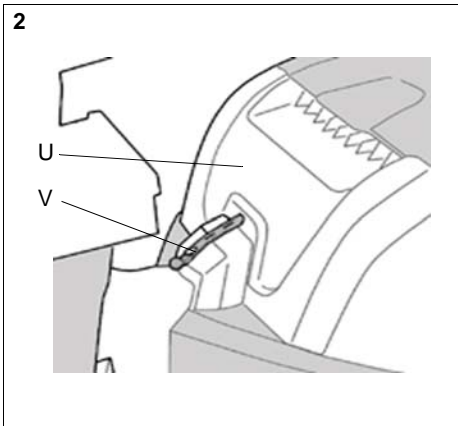
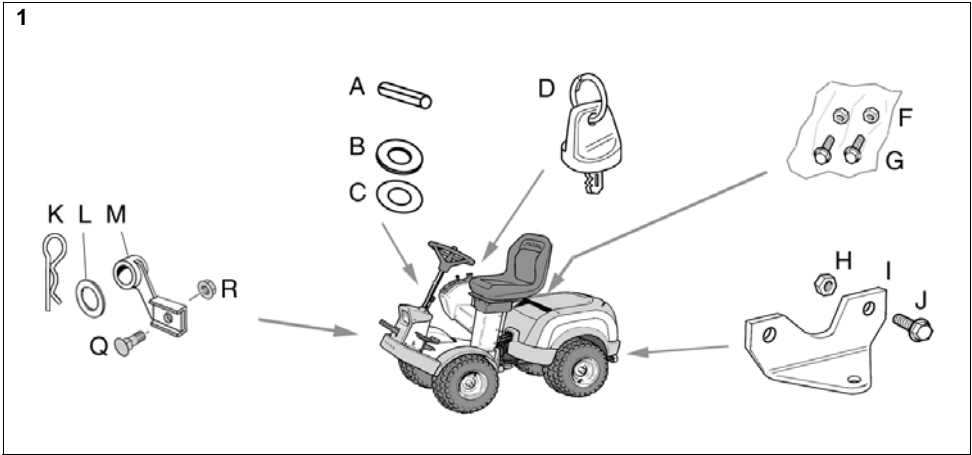
GEBRUIKSAANWIJZING NL ...6
INSTRUCTIONS FOR USE EN .20
MODE D'EMPLOI FR....33

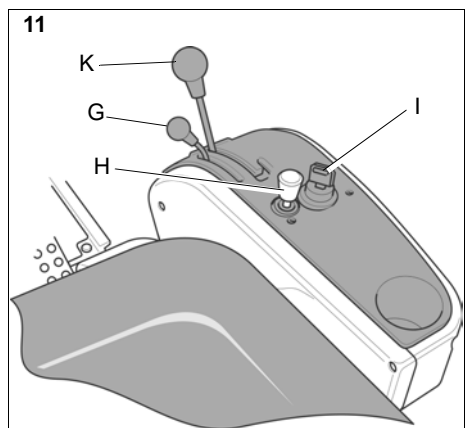
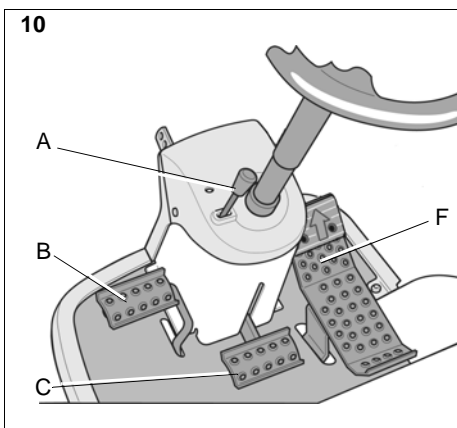
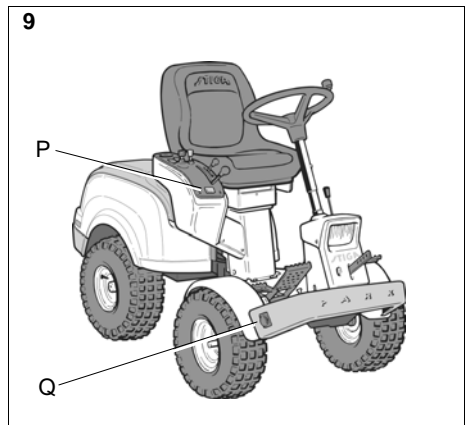
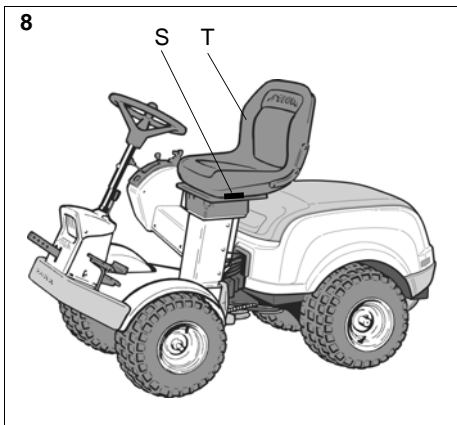
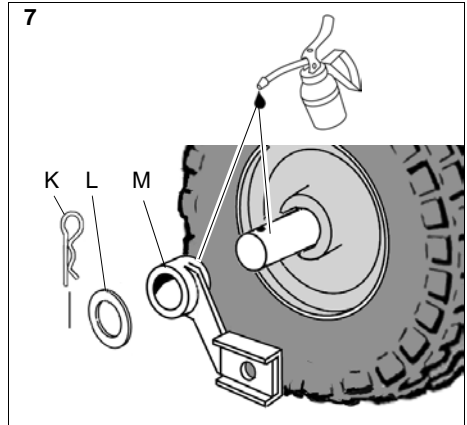
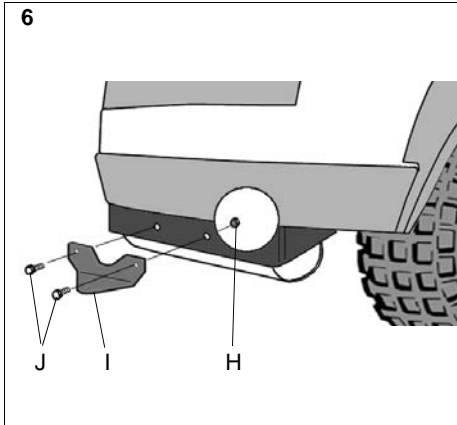
STIGA PARK

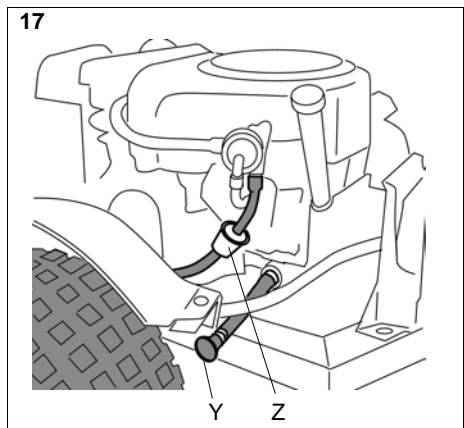
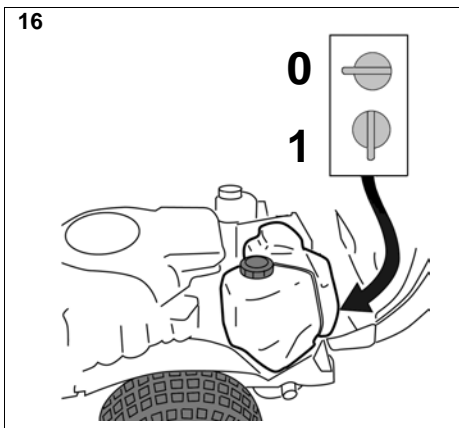
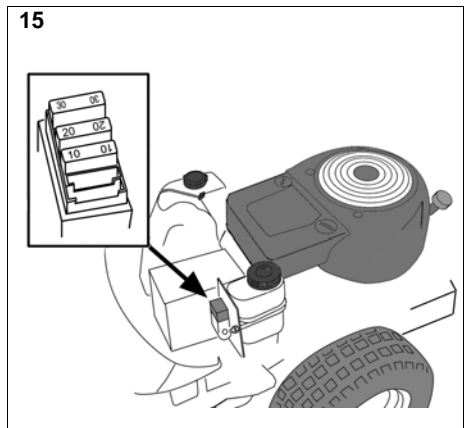
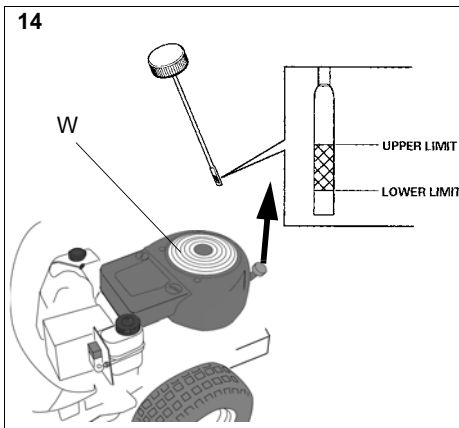
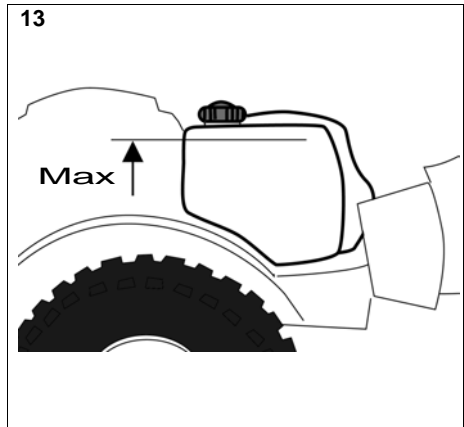
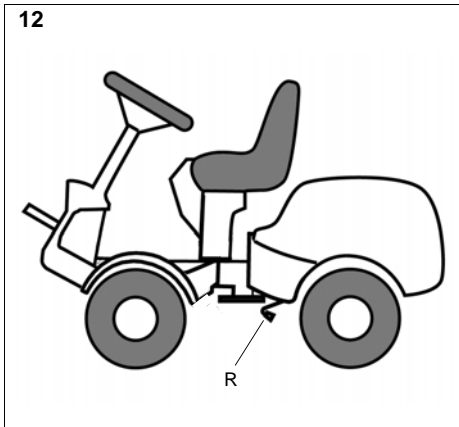
SILENT

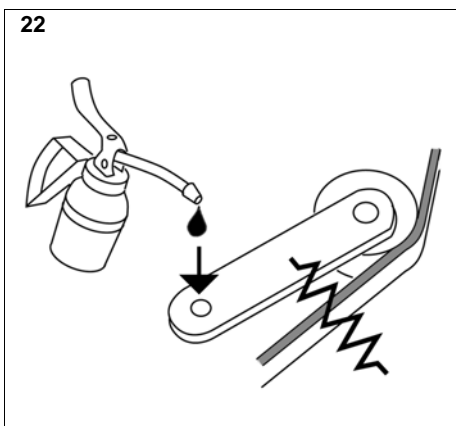
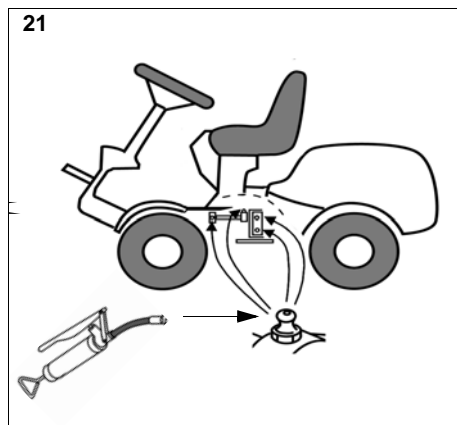
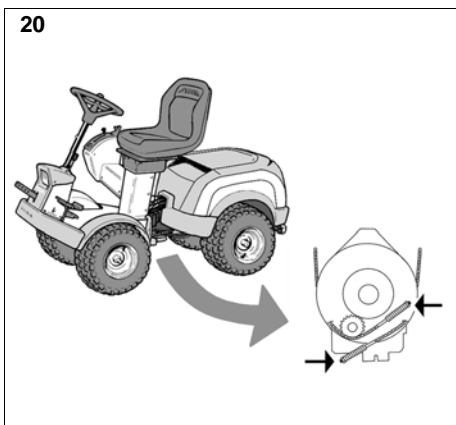
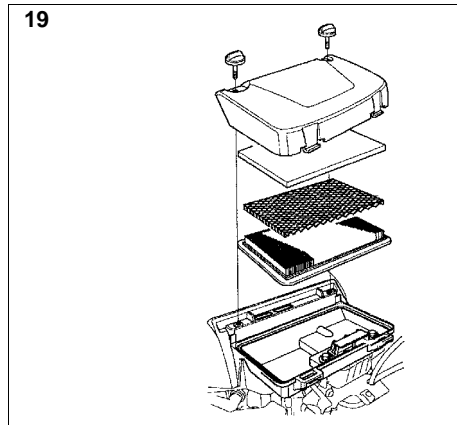
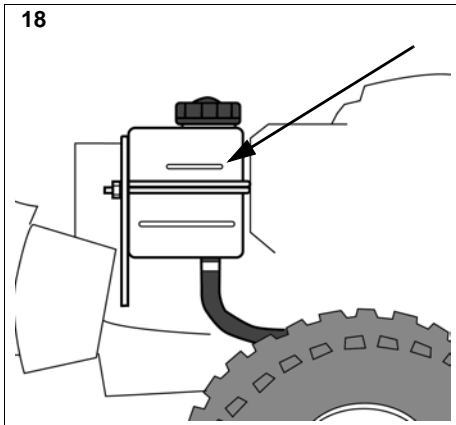


8211-0072-80









1 GENERAL



This symbol indicates **WARNING**. Serious personal injury and/or damage to property may result if the instructions are not followed carefully.



You must read these instructions for use and the accompanying pamphlet “SAFETY INSTRUCTIONS” carefully, before starting up the machine.

1.1 SYMBOLS

The following symbols appear on the machine. They are there to remind you of the care and attention required during use and maintenance. This is what the symbols mean:



Warning!
Read the instruction manual and the safety manual before using the machine.



Warning!
Watch out for discarded objects. Keep on-lookers away.



Warning!
Always wear hearing protectors.



Warning!
This machine is not designed to be driven on public roads.



Warning!
The machine, equipped with original accessories, must not be driven in any direction on slopes with a gradient greater than 10°.



Warning!
Risk of crushing injuries. Keep hands and feet well away from the articulated steering joint.



Warning!
Risk of burn injuries. Do not touch the silencer/catalytic converter.

1.2 References

1.2.1 Figures

The figures in these instructions for use are numbered 1, 2, 3, etc. Components shown in the figures are marked A, B, C, etc.

A reference to component C in figure 2 is written “2.C”.

1.2.2 Headings

The headings in these instructions for use are numbered in accordance with the following example: “1.3.1 General safety check” is a subheading to “1.3 Safety checks” and is included under this heading.

When referring to headings, only the number of the heading is normally specified. E.g. “See 1.3.1”.

2 SAFETY INSTRUCTIONS

2.1 GENERAL

- Please read through these instructions carefully. Learn all the controls and the correct use of the machine.
- Before use, all drivers must apply for and receive practical training in the operation of the machine. Particular emphasis should be placed on the fact that:
 - a. The use of ride-on lawnmowers requires care and concentration.
 - b. On slopes, it is not possible to control a sliding ride-on lawnmower by braking. The main reasons for losing control are insufficient traction, excessively high speed, insufficient braking, the machine not being suited to the task, lack of attention to the surface or incorrect use as a towing vehicle.
- Never let children or anyone who is not familiar with these instructions to use the machine. Local regulations may impose restrictions as regards the age of the driver.
- Never use the machine if others, particularly children or animals, are in the vicinity.
- Remember that the driver is responsible for accidents that happen to other people or their property.
- Do not let children or other passengers to ride with you on the machine. They might fall off and be seriously injured, or they might prevent the machine being driven safely.
- Do not use the machine if you are under the influence of alcohol, drugs or medication. Neither should you use it when you are tired or feeling unwell.

2.2 PREPARATIONS

- Wear strong shoes and long trousers when using the machine. Do not operate it barefoot or wearing sandals.
- Wear appropriate clothing when using the machine. Do not wear loose, hanging clothes, jewellery, scarves, ties, etc., which can get caught in rotating parts. Tie up long hair.
- Carefully check the area that is to be cut/cleared of snow. Remove all loose stones, sticks, steel wire and other foreign objects which the machine could throw out.
- Warning – Petrol is highly inflammable.

- a. Always store petrol in containers that are made especially for this purpose.
 - b. Only fill or top up with petrol outdoors, and never smoke when filling or topping up.
 - c. Fill with petrol before starting the motor. Never remove the filler cap or fill with petrol while the engine is running or still warm.
 - d. If petrol is spilt, do not try to start the engine but instead move the machine away from the place where the spillage occurred and avoid any possible causes of sparks until the petrol fumes have evaporated.
 - e. Do not forget to screw the cap on the petrol tank and the storage container after filling.
 - Replace faulty silencers.
 - Before use, always check that blades and mounting devices are not worn or damaged. Replace worn or damaged parts as a set so that the correct balance is maintained.
 - The battery (on electrically started machines) gives off explosive gases. Keep sparks, flames and cigarettes away. Ensure there is sufficient ventilation during charging.
 - The battery contains toxic material. Do not damage the battery casing. If the casing is damaged, avoid contact with the content of the battery.
 - Do not throw out old, defective batteries with the rubbish. Contact the local authorities for correct waste management.
 - Do not short circuit the battery. Sparks occur which can result in fire.
- 2.3 DRIVING**
- Start the engine according to the instructions in the user guide. Keep your feet away from the blades.
 - Do not run the engine in confined areas where hazardous carbon monoxide gases can collect.
 - Only use the machine in daylight or where there is good lighting.
 - Always use hearing protectors.
 - Take care when approaching obstacles which obscure your vision.
 - Always keep children away from the machine's working area. Get another adult to keep the children under supervision.
 - Take care when reversing. Look behind you both before and during reversing to check for any obstacles. Look out for small children.
 - Disengage the blade(s) and the connection before starting the engine.
 - Never have your hands or feet near or under rotating parts. Watch out for the blades. Do not stand right in front of the discharge opening.
 - Avoid using the machine on wet lawns.
 - Be careful when driving on slopes. No sudden starting or stopping when moving up or down a slope.
 - Release the clutch pedal slowly. Always drive with the gear engaged, and do not disengage when driving down slopes.
 - Never cut across a slope. Move from the top down, and from the bottom to the top.
 - Use low acceleration when engaging the drive, especially in long grass. Reduce the speed on slopes and when making sharp turns to prevent the machine from tipping over or you losing control of the machine.
 - Watch out for holes in the ground and other hidden dangers.
 - Do not drive too near ditches or high edges. The machine can turn over if a wheel drives over the edge or the edge breaks.
 - Take care when towing and when using heavy equipment.
 - a. Only use an approved towing device.
 - b. Limit the load so that it can be controlled safely.
 - c. Do not make any sudden turns. Take care when reversing.
 - d. Use wheel weights or front weight when recommended in the user instructions.
 - Look out for traffic at crossings or when driving near roads.
 - Stop the blade(s) when crossing a surface other than grass during mowing.
 - When using any of the accessories, never direct the discharge at somebody standing beside it, and do not allow anyone to stand near the machine when it is running.
 - Never operate the machine with insufficient protection or without the safety devices in place.
 - Existing safety devices may not be disconnected or disengaged. Check that the safety devices work each time before using the machine.
 - Do not alter the engine's regulator setting and do not race the engine. The danger of personal injury increases when the engine is run at high revs.
 - Do not touch engine components which become warm during use. Risk of burn injuries.
 - Do not leave the driving seat without:
 - a. Disengaging the power take-off and lowering the accessories.

- b. Putting the gear in neutral and activating the parking brake.
- c. Stopping the engine and removing the key.
- Only use accessories that are approved by the machine's manufacturer.
- The machine may not be used without accessories/tools being installed in the machine's tool mounts. Driving without accessories can have a negative effect on the stability of the machine.
- Take care when using grass collectors and other accessories. These can alter the machine's stability. Particularly on slopes.
- Disengage the drive to the accessories, shut off the engine and disconnect the spark plug cable or remove the starter key:
 - a. To remove sticks and rubbish or when the discharge has become clogged.
 - b. To check, clean or service the machine.
 - c. To check whether damage has occurred and to carry out any repairs before starting and using the machine again after a collision with a foreign object.
 - d. To check the machine if it begins to vibrate excessively. (Check immediately).
- Disengage the drive to accessories during transport or when the machine is not in use.
- Shut off the engine and disconnect the drive to the accessories:
 - a. Before filling with petrol.
 - b. Before removing the grass collector.
 - c. Before adjusting the height setting, assuming this cannot be done from the driver's position.
- Reduce the acceleration when the engine is to be stopped, and if the engine is equipped with a fuel shut-off valve, this should be switched off when the work is finished.
- Take care with multiple blade decks as one rotating blade can cause other blades to rotate.
- The machine, equipped with original accessories, must not be driven in any direction on slopes with a gradient greater than 10°.
- The cutting deck's original blade(s) may not be replaced with non-original devices intended for e.g. moss scarification. If such devices are used, the guarantee will cease to be valid. There is also a risk of serious injury or damage to people or property.
- Take care when unloading and loading the machine onto a trailer or lorry.
- At regular intervals check that the cutting deck's blade screw(s) are properly tightened.
- Regularly check the operation of the brakes. It is important to maintain and repair the brakes if necessary.
- Never store the machine with petrol in the tank in buildings where the fumes can come into contact with open flames or sparks.
- Allow the engine to cool before placing the machine in a store.
- To reduce the risk of fire, keep the engine, silencer, battery and petrol tank free from grass, leaves and surplus oil.
- Check frequently whether there is any wear or damage to the grass collector.
- For the sake of safety, replace worn or damaged parts.
- Always use genuine spare parts. Non-genuine spare parts can entail a risk of injury, even if they fit the machine.
- Replace damaged warning and instruction stickers.
- If there is no mechanical lock for the transport position, the cutting deck must be lowered when parked, stored or when the machine is left unsupervised.
- If the petrol tank is to be emptied, this must take place outdoors.
- Store the machine so that children cannot get to it.
- The battery contains acid. In the event of mechanical damage or overcharging, acid can leak out.
- Never overcharge the battery. Overcharging can cause the battery to explode, throwing the acid in all directions.
- If acid comes into contact with the eyes or skin, this can cause serious injuries. If any part of the body has come into contact with acid, rinse immediately with copious amounts of water and seek medical assistance as soon as possible.
- Fumes from acid that are inhaled cause damage to mucous membranes and other internal organs. Seek medical assistance if acid fumes have been inhaled.
- Acid causes serious damage to tools, clothes and other material. Rinse away spilled acid immediately with water.
- Do not short circuit the battery's terminals. Sparks occur which can result in fire. Do not wear metal jewellery which can come into contact with the battery terminals.
- In the event of damage to the battery casing, cover, terminals or interference to the strip

2.4 MAINTENANCE AND STORAGE

- Tighten all nuts and screws so that the machine is in safe working condition.

covering the valves, the battery should be replaced.

3 STORAGE

Empty the petrol tank. Start the engine and let it run until it stops.

Replace the oil while the engine is still warm.

Unscrew the spark plug and pour a tablespoonful of oil into the cylinder. Rotate the engine a few turns so that the oil is distributed in the cylinder. Install the spark plug.

Clean the entire machine. It is particularly important to clean under the cutting deck. Touch up paint damage to prevent rust.

Store the machine indoors in a dry place.

Machines with an electric starter:

Remove the battery. Store it well charged in a cool place (between 0°C and +15°C).

At the correct storage temperature, the battery should be maintenance-charged every four months.



The battery acid is extremely corrosive and can cause injuries and damage to skin and clothing. Always use rubber gloves and glasses (goggles) to protect your eyes. Avoid inhaling any acid vapour.



Do not incline the battery too much so that the battery acid can run out onto hands or clothing. If this should happen, rinse with plenty of water.

4 SERVICE

Authorised service workshops carry out repairs and guarantee service. They use original spare parts.

STIGA original spare parts and accessories are designed specifically for STIGA machines.

Please note that 'non-original' spare parts and accessories have not been checked or approved by STIGA.



The use of such parts and accessories can affect the function and safety of the machine. STIGA accepts no responsibility for damage or injuries caused by such products.

Original spare parts are supplied by service workshops and by many dealers.

A list of these can be found on STIGA's Internet website at: www.stiga.com.

We recommend that the machine be handed in to an authorised service workshop for service, maintenance and checking of the safety devices once a year.

5 PURCHASE TERMS

A full guarantee is issued against manufacturing and material defects. The user must carefully follow the instructions given in the enclosed documentation.

Guarantee period

For consumer use: two years from purchase date.

For professional use: 300 hours or three months, whichever comes first.

For Stiga Park and Stiga Villa, it is possible to have a one year extension to the guarantee if the conditions in the service book are satisfied.

For batteries: six months from the purchase date.

Exceptions

The guarantee does not cover damage due to:

- neglect of the user to acquaint himself with accompanying documentation
- carelessness
- incorrect and non-permitted use or assembly
- the use of non-genuine spare parts
- the use of accessories not supplied or approved by Stiga

Neither does the guarantee cover:

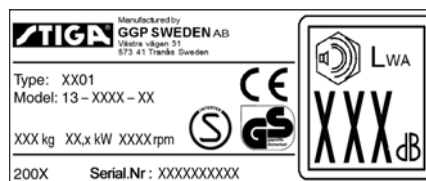
- wearing components such as blades, belts, wheels and cables
- normal wear
- engine and transmission. These are covered by the appropriate manufacturer's guarantees with separate terms and conditions.

The purchaser is covered by each country's national laws. The rights to which the purchaser is entitled with the support of these laws are not restricted by this guarantee.

6 PRODUCT IDENTITY

The identity of the product is determined by two parts:

1. The machine's item and serial numbers:



2. The engine's model, type and serial numbers:

Use these identification terms during all contact with service workshops and when purchasing spare parts.

As soon as possible after acquiring the machine, the above number should be written in on the last page of this publication.

7 ENVIRONMENT

For environmental reasons, we recommend that particular attention is given to the following points:

- Always use Alkylate petrol ("Environmental petrol").
- Always use a funnel and/or a petrol can with overflow protection to avoid spillage when filling with petrol.
- Do not fill the petrol tank right to the top.
- Do not fill too much engine and/or transmission oil (see user instructions for the correct amount).
- Collect up all oil during oil changes. Do not spill any. Hand in the oil to a recycling station.
- Do not discard replaced oil filters with normal rubbish. Hand them in to a recycling station.
- Do not discard replaced lead batteries with normal rubbish. Hand in to a battery collection point for recycling.
- Replace the silencer if it is broken. Always use original spare parts when carrying out repairs.
- If the machine was originally equipped with a catalytic converter and this is broken, a new catalytic converter must be installed after removing the old one.
- Always get a specialist to adjust the carburettor if necessary.
- Clean the air filter according to the instructions given (see user instructions).

8 INSURE YOUR RIDE-ON LAWMOWER

Check the insurance for your new ride-on lawnmower. Contact your insurance company. You ought to have fully comprehensive insurance for traffic, fire, damage and theft.

9 GENERAL



This symbol indicates **WARNING**. Personal injury and/or damage to property may result if the instructions are not followed carefully.



You must read these instructions and the accompanying pamphlet "SAFETY INSTRUCTIONS" carefully, before the assembly begin.

10 ASSEMBLY



To avoid injury and damage to people and property, do not use the machine until all the measures in this instruction have been carried out..

10.1 Assembly components

Components that are to be used at assembly are included in the delivery. See fig. 1.

Supplied in bag:

A plastic bag containing components, which are to be used at assembly, are included in the delivery. See fig. 1. The bag contains:

Pos	No.	Designation	Dimension
A	1	Pin	6 x 36
B	1	Shim washer	16 x 38 x 0.5
C	1	Shim washer	16 x 38 x 1.0
D	2	Ignition key	
F	2	Screw for battery	
G	2	Nut for battery	
H	2	Nut	M8
I	1	Towing plate	
J	2	Screw	8 x 20
Q	2	Screw	M10 x 35
R	2	Nut	M10

Supplied installed on the front axles:

Pos	No.	Designation
K	2	Lock pin
L	2	Washer

Secure to the implement lifter:

Pos	No.	Designation
M	2	Deck mount

10.2 Engine casing (2:U)



In order to access the fuel cock, battery and engine, the machine has an engine casing that can be opened. The engine casing is locked with a rubber strap.

The engine casing is opened as follows:

1. Undo the rubber strap (2:V) at the front edge of the casing.
2. Carefully lift the engine casing back. Close in the reverse order.



The machine may not be operated unless the engine casing is closed and locked. Risk of burns and crushing injuries.

10.3 Battery

See "14.8 Battery".

10.4 Seat (fig. 4)

1. Remove the following components from the seat bracket:
 - 4 Nuts (for transport locking, not used).
 - 4 Screws.
 - 4 Shoulder washers.
2. Position the seat over the mounting in the seat bracket.
3. Install the shoulder washers on the screws.
4. Insert the screws with the attached shoulder washers through the slots in the seat bracket and the holes in the seat plate. Screw the seat into place.

Tightening torque: 9 ± 1.7 Nm.



If the screws are tightened more than 9 ± 1.7 Nm, the seat will be damaged.

5. Check that the seat moves easily in the slots in the bracket.

The seat can be folded. If the machine is parked outside when it is raining, fold the seat forward to protect the seat cushion from getting wet.

10.5 Steering wheel

In order to minimise the axial play in the steering column, the shim washers (5:B) and/or (5:C) must be installed on the steering column between the steering column jacket and the bracket as follows.

1. Install the steering column jacket on the steering column and secure by knocking in the tension pin (5:A) approximately 1/3 of its length.
2. Pull the steering column jacket and the steering column up.
3. From the outside, check whether no washers, the 0.5 mm washer, the 1.0 mm washer or both washers can be inserted into the gap. The washer/washers must not be forced in, as there must be a little axial play.

4. Pull out the cotter pin and dismantle the steering wheel jacket.
5. Install the washer/washers in accordance with point 3 above.
6. Install the steering column jacket on the steering column and secure by knocking in the tension pin fully. Use a counterhold.

10.6 Towing plate

Install the towing plate (6:I) at the rear of the machine. Use the screws and the nuts (6:J, H).

Tightening torque: 22 Nm.

10.7 Deck mounts

This only describes installation on the right-hand axle. Same procedure must be carried out on the left-hand axle.

1. Lubricate the axle ends and the deck mount's bearing surface with oil before installation.
2. Install the deck mounts to the machine according to fig. 7.
3. Install the locking pin (7:K) in the hole in the axle.

10.8 Tyre pressure

Check the air pressure in the tyres. Correct air pressure:

Front: 0.6 bar (9 psi)

Rear: 0.4 bar (6 psi)

10.9 Accessories

For the installation of accessories, see separate installation guide supplied with each accessory.

Note: The cutting deck is regarded as an accessory here.

11 DESCRIPTION

11.1 Drive

The machine is rear wheel drive.

The rear axle is equipped with a hydrostatic transmission with infinitely variable forward and reverse gear ratios.

The rear axle is also equipped with a differential to facilitate turning.

Front mounted tools are driven by drive belts.

11.2 Steering

The machine is articulated. This means that the chassis is divided into a front and a rear section, which can be turned in relation to each other.

The articulated steering means that the machine can turn around trees and other obstacles with an extremely small turning radius.

11.3 Safety system

The machine is equipped with an electrical safety system. The safety system interrupts certain activities that can entail a danger of incorrect manoeuvres. For example, the engine cannot be started if the clutch-parking brake pedal is depressed.



The operation of the safety system must always be checked every time before use.

11.4 Controls

11.4.1 Implement lifter, mechanical (10:C)

To switch between working position and transport position:

1. Depress the pedal fully.
2. Release the pedal slowly.

11.4.2 Clutch-parking brake (10:B)



Never press the pedal while driving. There is a risk of overheating in the power transmission.



The pedal (10:B) has the following three positions:

- **Released.** The clutch is not activated. The parking brake is not activated.
- **Depressed halfway.** Forward drive disengaged. The parking brake is not activated.
- **Fully depressed.** Forward drive disengaged. The parking brake is fully activated but not locked. This position is also used as emergency brake.

11.4.3 Inhibitor, parking brake (10:A)



The inhibitor locks the "clutch-brake" pedal in the depressed position. This function is used to lock the machine on slopes, during transport, etc., when the engine is not running.

Locking:

1. Depress the pedal (10:B) fully.
2. Move the inhibitor (10:A) to the right.
3. Release the pedal (10:B).
4. Release the inhibitor (10:A).

Unlocking:

Press and release the pedal (10:B).

11.4.4 Driving-service brake (10:F)



If the machine does not brake as expected when the pedal is released, the left pedal (1:B) should be used as an emergency brake.

The pedal (10:F) determines the gearing ratio between the engine and the drive wheels (= the speed). When the pedal is released, the service brake is activated.



1. Press the pedal forward – the machine moves forward.
2. No load on the pedal – the machine is stationary.
3. Press the pedal backward – the machine reverses.
4. Reduce the pressure on the pedal – the machine brakes.

11.4.5 Throttle control (11:G)

Control for setting the engine's revs.



1. Full throttle – when the machine is in operation, full throttle should always be used.



2. Idling.

11.4.6 Choke control (5:H)

A pull-type control to choke the engine when starting from cold.



1. Control fully pulled out – choke valve in carburettor closed. For starting cold engine.
2. Control pushed in – choke valve open. For starting warm engine and when operating the machine.

Never operate the machine with the choke pulled out when the engine is warm.

11.4.7 Ignition lock (11:I)

The ignition lock is used for starting and stopping the engine.



Do not leave the machine with the key in position 2 or 3. There is a fire risk, fuel can run into the engine through the carburettor, and there is a risk of the battery being discharged and damaged.

Four positions:



1. Stop position – the engine is short-circuited. The key can be removed.



- 2, 3. Operating position



4. Start position – the electric start motor is activated when the key is turned to the spring-loaded start position. Once the engine has started, let the key return to operating position 3.

11.4.8 Power take-off (4,5:K)



The power take-off must never be engaged when the front-mounted implement is in transport position. This will destroy the belt transmission.

A lever for engaging and disengaging the power take-off for operating front-mounted accessories. Two positions:



1. Lever in forward position – power take-off disengaged.



2. Lever in backward position - power take-off engaged.

11.4.9 Hour meter (2:P)

Indicates the number of working hours. Only works when the engine is running.

11.4.10 Clutch release lever

A lever for disengaging the variable transmission. 2WD is equipped with a lever, connected to the rear axle. See (6:R).



The disengagement lever must never be between the outer and inner positions. This overheats and damages the transmission.

The levers enable the machine to be moved by hand without the help of the engine. Two positions:



1. Lever in the inner position – transmission engaged for normal operation.

2. Lever in the outer position – transmission disengaged. The machine can be moved by hand.

The machine may not be towed over long distances or at high speeds. The transmission could be damaged.



The machine must not be operated with the forward most lever in the outer position. Risk of damage and oil leakage in the front axle.

11.4.11 Seat (8:T)



The seat can be folded and adjusted front-rear. The seat can be adjusted as follows:

1. Move the control lever (8:S) upwards.
2. Set the seat to the desired position.
3. Release the control lever (8:S) to lock the seat.

The seat is equipped with a safety switch that is connected to the machine's safety system. This means that certain dangerous activities are not possible when there is nobody sitting on the seat. Also see 13.4.2.

11.4.12 Engine casing (2:U)



In order to access the fuel cock, battery and engine, the machine has an engine casing that can be opened. The engine casing is locked with a rubber strap.

The engine casing is opened as follows:

1. Undo the rubber strap (2:V) at the front edge of the casing.
2. Carefully lift the engine casing back.

Close in the reverse order.



The machine may not be operated unless the engine casing is closed and locked. Risk of burns and crushing injuries.

12 AREAS OF USE

The machine may only be used for the following tasks using the genuine STIGA accessories stated.

Work	Accessories, STIGA genuine
Mowing	Using mowing decks: 95 C, 105 C and with flail mower.
Sweeping	Using brush unit or collector brush unit. The use of a dust guard is recommended with the first option.
Snow clearance	Using snow blade or snow thrower Snow chains and frame weights are recommended.
Grass clipping and leaf collection	Using towed collector 30" or 42". Pro Cart.
Grass and leaf transport	Using dump cart Standard, Maxi or Combi.
Sand spreading	Using sand spreader. Can also be used for spreading salt. Snow chains and frame weights are recommended.
Weeding on gravel paths	Using front-mounted hoe.
Lawn edge trimming	Using edge trimmer.
Moss scarification	Using moss scarifier.

The maximum vertical load on the towing hitch must not exceed 100 N.

The maximum over-run load on the towing hitch from towed accessories must not exceed 500 N.

NOTE! Before using a trailer – contact your insurance company.

NOTE! This machine is not intended to be driven on public roads.

13 STARTING AND OPERATION



The machine may not be operated unless the engine casing is closed and locked. Risk of burns and crushing injuries.

13.1 Filling with petrol

Always use lead-free petrol. You must never use 2-stroke petrol mixed with oil.

The tank holds 12 litres. The level can easily be read through the transparent tank.

NOTE! Ordinary lead-free petrol is a perishable and must not be stored for more than 30 days.

Environmental petrol can be used, i.e. alkylate petrol. This type of petrol has a composition that is less harmful for people and nature.



Petrol is highly inflammable. Always store fuel in containers that are made especially for this purpose.



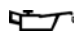
Only fill or top up with petrol outdoors, and never smoke when filling or topping up. Fill up with fuel before starting the engine. Never remove the filler cap or fill with petrol while the engine is running or still warm.

Never completely fill the petrol tank. Leave an empty space (= at least the entire filler tube plus 1 - 2 cm at the top of the tank) to allow the petrol to expand when it warms up without overflowing. See fig. 13.

13.2 Checking the engine oil level

On delivery, the crankcase is filled with SAE 10W-30 oil.

Check the oil level every time before using to ensure it is correct. The machine should be standing on level ground.

 Wipe around the dipstick. Unscrew and pull it up. Wipe the dipstick.

Push the dipstick down completely *without screwing it into place*. Pull it up again and read off the oil level.

Top up with oil to the “FULL” mark if the oil level is below this mark. See fig. 14.

The oil level must never exceed the “FULL” mark. This results in the engine overheating. If the oil level exceeds the “FULL” mark, the oil must be drained until the correct level is achieved.

13.3 Level check, transmission oil

1. Place the machine on a flat surface.
2. Read off the oil level in the reservoir. See fig. 18. The level should be level with the line.
3. If necessary, top up with more oil.

13.4 Safety checks

Check that the results of the safety checks below are achieved when testing the machine in question.



The safety checks must always be carried out every time before use.



If any of the results below is not achieved, the machine must not be used! Take the machine to a service workshop for repair.

13.4.1 General safety check

Object	Result
Fuel lines and connections.	No leaks.
Electrical cables.	All insulation intact. No mechanical damage.
Exhaust system.	No leaks at connections. All screws tightened.
Oil lines	No leaks. No damage.
Drive the machine forwards/backwards and release the driving-service brake pedal.	The machine will stop.
Test driving	No abnormal vibrations. No abnormal sound.

13.4.2 Electrical safety check



The operation of the safety system should always be checked every time before use.

Status	Action	Result
The clutch-brake pedal is not depressed. The power take-off is not activated.	Try to start.	The engine will not start.
The clutch-brake pedal is depressed. The power take-off is activated.	The driver gets up from the seat.	The engine will not start.
Engine running. The power take-off is activated.	The driver gets up from the seat.	The engine will stop.
Engine running.	Remove fuse 10 A. See fig. 15.	The engine will stop.

13.5 Start

1. Open the fuel cock. See 16.
2. Check that the spark plug cable(s) is/are installed on the spark plug(s).
3. Check to make sure that the power take-off is disengaged.
4. Do not keep your foot on the drive pedal.
5. Put the throttle control at full throttle.
Starting cold engine – pull the choke control out fully.
Starting warm engine – the choke control should be pressed in.
6. Depress the clutch-brake pedal fully.
7. Turn the ignition key and start the engine.
8. Once the engine has started, push the choke control in gradually if it has been used.
9. When starting from cold, do not make the machine work under load immediately, but let the engine run for a few minutes first. This will allow the oil to warm up.

When the machine is in operation, full throttle should always be used.

13.6 Operating tips

Always check that there is the correct volume of oil in the engine. This is particularly important when operating on slopes. See “13.2”.



Be careful when driving on slopes. No sudden starting or stopping when driving up or down a slope. Never drive across a slope. Move from the top down or from the bottom to the top.



The machine may not be driven on slopes greater than 10° in any direction.



Reduce the speed on slopes and when making sharp turns in order to retain control and reduce the risk of tipping over.



Do not turn the steering wheel to full lock when driving in top gear and at full throttle. The machine can easily topple over.



Keep hands and fingers well away from articulated steering joint and seat bracket. Risk of crushing injuries. Never drive with the engine casing open.

13.7 Stop

Disengage the power take-off. Apply the parking brake.

Allow the engine to idle 1-2 mins. Stop the engine by turning off the ignition key.

Shut off the petrol cock. This is particularly important if the machine is to be transported on a trailer for example.



If the machine is left unattended, remove the spark plug cable(s) and remove the ignition key.



The engine may be very warm immediately after it is shut off. Do not touch the silencer, cylinder or cooling fins. This can cause burn injuries.

13.8 Cleaning



To reduce the risk of fire, keep the engine, silencer, battery and fuel tank free from grass, leaves and oil.



To reduce the risk of fire, regularly check the machine for oil and/or fuel leakage.

Clean the machine after each use. The following instructions apply for cleaning:

- When washing the machine with water under high pressure, do not point the jet directly at axle seals, electrical components or hydraulic valves.
- Do not spray water directly at the engine.
- Clean the engine with a brush and/or compressed air.
- Clean the engine's cooling air intake (14:W).

14 MAINTENANCE

14.1 Service programme

In order to keep the machine in good condition as regards reliability and operational safety as well as from an environmental perspective, STIGA's Service programme should be followed.

The contents of this programme can be found in the attached service log.

Basic service must always be carried out by an authorised workshop.

First service and intermediate service should be carried out by an authorised workshop, but can also be carried out by the user. The content of this can be found in the service log and the actions are described under “13.4” as well as below.

Servicing carried out at an authorised workshop guarantees professional work using genuine spare parts.

At each basic service and intermediate service carried out at an authorised workshop, the service log is stamped. A service log presenting these services is a valuable document that improves the machine's second-hand value.

14.2 Preparation

All service and all maintenance must be carried out on a stationary machine with the engine switched off.



Prevent the machine from rolling by always applying the parking brake.



Stop the engine.



Prevent unintentional starting of the engine by disconnecting the spark plug cable(s) from the spark plug(s) and removing the ignition key.

14.3 Tyre pressure

Adjust the air pressure in the tyres as follows:

Front: 0.6 bar (9 psi).

Rear: 0.4 bar (6 psi).

14.4 Changing engine oil

This section contains tables covering the different engines that are included in STIGA's range. To facilitate reading, mark the data that applies to the relevant machine/engine.

14.4.1 Change intervals

The table below states hours of operation and calendar months. Carry out the relevant action at whichever occurs first.

Machine	1st time	Then at intervals of
Silent	Hours of operation/Calendar months	
Changing the oil	20 hours/ 1 month	100 hours/ 6 months

Change the oil more frequently if the engine has to operate in demanding conditions or if the ambient temperature is high.

14.4.2 Engine Oil

Use oil according to the table below.

Oil	SAE 10W-30
Service class	SJ or higher

Use oil without any additives.

Do not fill with too much oil. This can cause the engine to overheat.

Change oil when the engine is warm.



The engine oil may be very hot if it is drained off directly after the engine is shut off. Therefore allow the engine to cool a few minutes before draining the oil.

1. Attach the clamp on the oil drainage hose. Use a polygrip or similar. See fig. 15-17:Y.
2. Move the clamp up 3-4 cm on the oil drainage hose and pull out the plug.
3. Collect the oil in a collection vessel.

NOTE! Do not spill any oil on the drive belts.

4. Hand in the oil for disposal in accordance with local provisions.

5. Install the oil drainage plug and move the clamp back so that it clamps above the plug.

6. Remove the dipstick and fill with new oil.

Oil quantity: 0,9 l

7. After filling up the oil, start the engine and idle for 30 seconds.

8. Check to see if there is any oil leakage.

9. Stop the engine. Wait for 30 seconds and then check the oil level in accordance with "13.2".

14.5 Fuel filter

Replace the fuel filter after 1,500 hours of operation.

Check for fuel leaks once the new filter has been installed.

14.6 Belt transmissions

After 5 hours of operation, check that all the belts are intact and undamaged.

14.7 Steering

The steering must be checked/adjusted after 5 hours of operation and thereafter after 100 hours of operation.

14.7.1 Checks

Briefly turn the steering wheel back and forth. There must be no mechanical clearance in the steering chains.

14.7.2 Adjustment

Adjust the steering chains if required as follows:

1. Put the machine in the straight-ahead position.
2. Adjust the steering chains with the two nuts, located under the central point. See fig. 20.
3. Adjust both nuts by the same amount until there is no clearance.
4. Test drive the machine straight forwards and check that the steering wheel is not off centre.
5. If the steering wheel is off centre, undo one nut and tighten the other.

Do not over-tighten the steering chains. This will cause the steering to become heavy and will increase wear on the steering chains.

14.8 Battery



If acid comes into contact with the eyes or skin, this can cause serious injuries. If any part of the body has come into contact with acid, rinse immediately with copious amounts of water and seek medical assistance as soon as possible.

The battery is a valve-regulated battery with 12 V nominal voltage. The battery fluid does not need to and cannot be checked or topped up. The only maintenance that is required is charging, for example after extended storage.



The battery must be fully charged before being used for the first time. The battery must always be stored fully charged. If the battery is stored while discharged, serious damage will occur.

14.8.1 Charging with the engine

The battery can be charged using the engine's generator as follows:

1. Install the battery in the machine as shown below.
2. Place the machine outdoors or install an extraction device for the exhaust fumes.
3. Start the engine according to the instructions in the user guide.
4. Allow the engine to run continuously for 45 minutes.
5. Stop the engine. The battery will now be fully charged.

14.8.2 Charging using battery charger

When charging using a battery charger, a battery charger with constant voltage must be used.

Contact your dealer to purchase a battery charger with constant voltage.

The battery can be damaged if a standard type battery charger is used.

14.8.3 Removal/Installation

See fig. 3. The battery is placed under the engine casing. During removal/installation, the following applies regarding connection of the cables:

- During removal. First disconnect the black cable from the battery's negative terminal (-). Then disconnect the red cable from the battery's positive terminal (+).
- During installation. First connect the red cable to the battery's positive terminal (+). Then connect the black cable to the battery's negative terminal (-).



If the cables are disconnected/connected in the wrong order, there is a risk of a short-circuit and damage to the battery.



If the cables are interchanged, the generator and the battery will be damaged.



Tighten the cables securely. Loose cables can cause a fire.



The engine must never be driven with the battery disconnected. There is a risk of serious damage to the generator and the electrical system.

14.8.4 Cleaning

If the battery terminals are coated with oxide, they should be cleaned. Clean the battery terminals with a wire brush and lubricate them with terminal grease.

14.9 Air filter, engine

Clean the air filter every 3 months or after every 50 hours of operation, whichever comes first.

Clean the paper filter insert once a year or after every 200 hours of operation, whichever comes first.

Note! Both filters should be cleaned more often if the machine operates on dusty ground.

1. Remove the protective cover of the air filter (fig. 19).
2. Dismantle the paper filter insert and the foam pre-filter. Make sure that no dirt gets into the carburettor. Clean the air filter housing.
3. Wash the pre-filter in liquid detergent and water. Squeeze dry. Pour a little oil on the filter and squeeze in the oil.
4. Clean the paper filter insert as follows: Knock it lightly against a flat surface. If the filter is very dirty, change it.
5. Assemble in the reverse order.

Petroleum-based solvents such as kerosene may not be used for cleaning the paper filter insert. These solvents can destroy the filter.

Do not use compressed air for cleaning the paper filter insert. The paper filter insert must not be oiled.

14.10 Spark plug

The spark plug(s) must be replaced every 200 hours of operation (=at every other basic service). Before disconnecting the spark plug, clean around its mounting.

Spark plug: Champion RC12YC or equivalent.

Electrode distance: 0.75 mm.

14.11 Air intake

See 14:W. The engine is air-cooled. A blocked cooling system can damage the engine. Clean the engine's air intake after 50 hours of operation. More meticulous cleaning of the cooling system is carried out during each basic service.

14.12 Lubrication

All lubrication points in accordance with the table below must be lubricated every 50 hours of operation as well as after every wash.

Object	Action	Figure
Centre point	4 grease nipples. Use a grease gun filled with universal grease. Pump until the grease emerges.	21
Steering chains	Brush the chains clean with a wire brush. Lubricate with universal chain spray.	-
Tensioning arms	Lubricate the bearing points with an oil can when each control is activated. Ideally carried out by two people.	22
Control cables	Lubricate the cable ends with an oil can when each control is activated. Must be carried out by two people.	23

14.13 Fuses

If any of the faults listed below occurs, replace the relevant fuse. See fig. 15.

Fault	Fuse
The engine does not start or starts and stops immediately. The battery is charged.	10 A
Electrical cutting height adjustment do not work.	20 A
All electrical functions are out of operation. The battery is charged.	30 A

15 PATENT - DESIGN REGISTRATION

This machine or parts thereof is covered by the following patent and design registration:

SE9901091-0, SE9901730-3, SE9401745-6,
US595 7497, FR772384, DE69520215.4,
GB772384, SE0301072-5, SE04/000239 (PCT),
SE0401554-1, SE0501599-5.

GGP reserves the right to make alterations to the product without prior notification.

Free Manuals Download Website

<http://myh66.com>

<http://usermanuals.us>

<http://www.somanuals.com>

<http://www.4manuals.cc>

<http://www.manual-lib.com>

<http://www.404manual.com>

<http://www.luxmanual.com>

<http://aubethermostatmanual.com>

Golf course search by state

<http://golfingnear.com>

Email search by domain

<http://emailbydomain.com>

Auto manuals search

<http://auto.somanuals.com>

TV manuals search

<http://tv.somanuals.com>