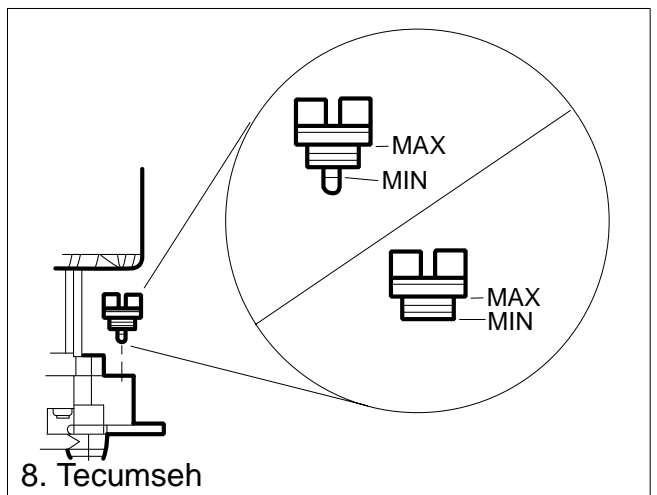
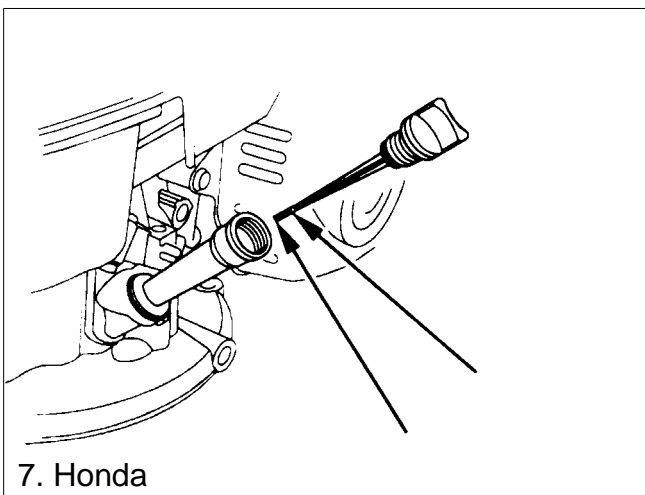
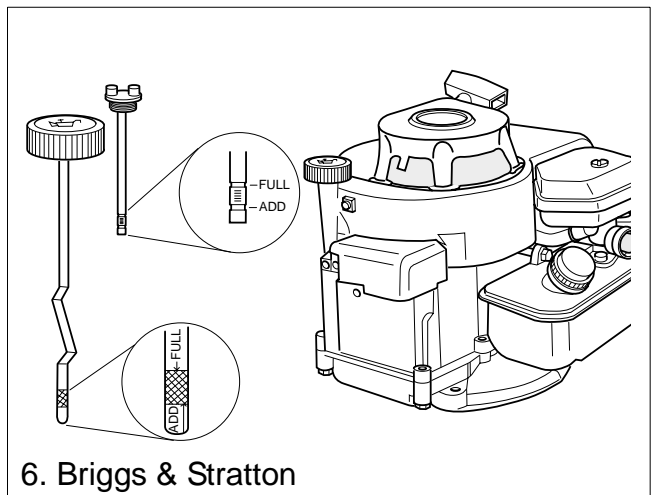
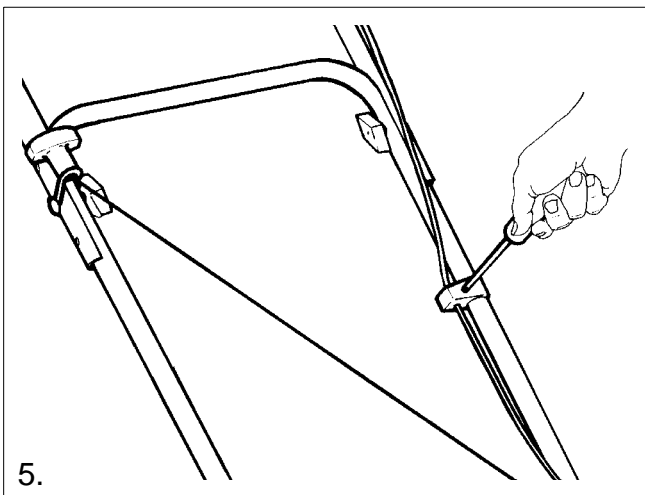
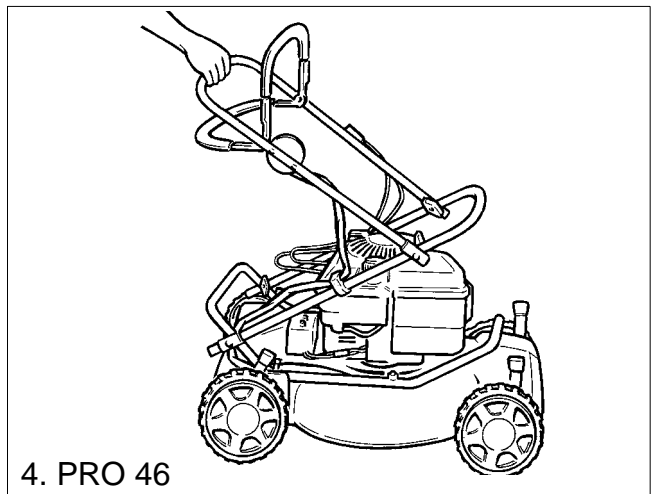
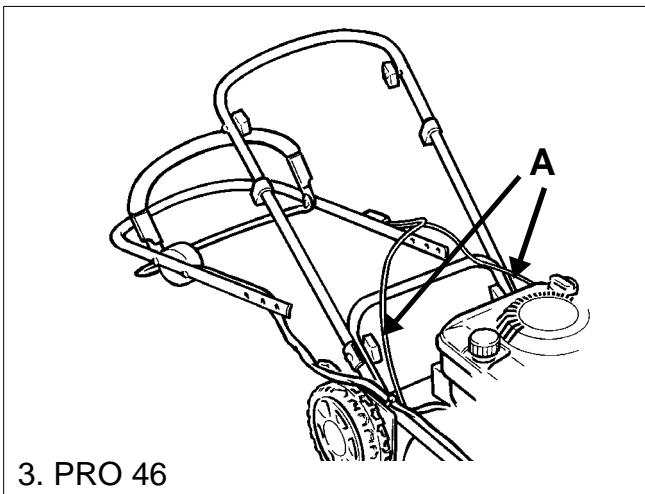
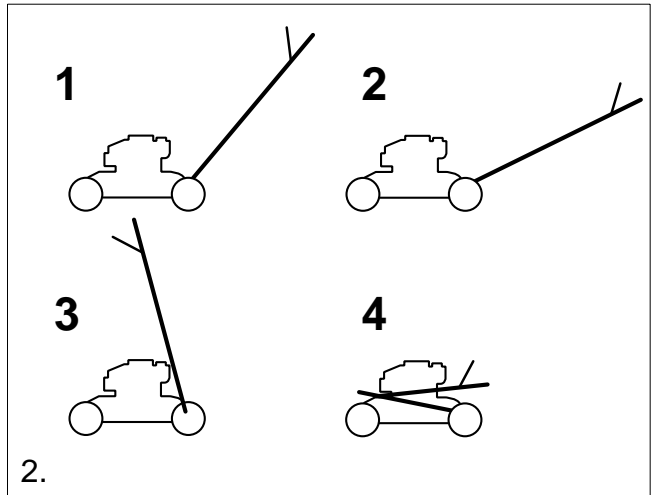
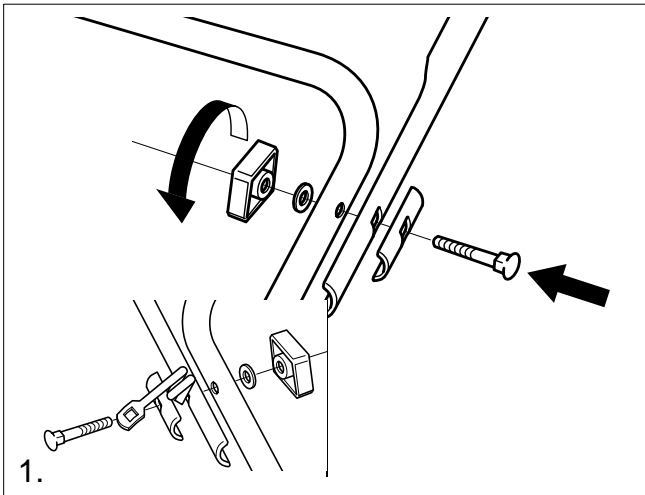


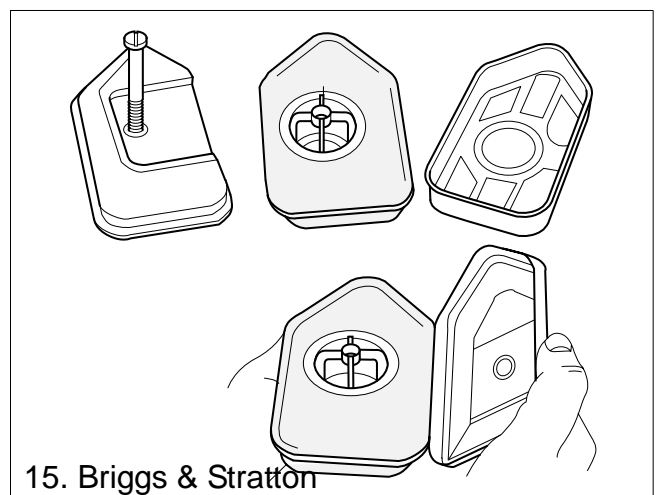
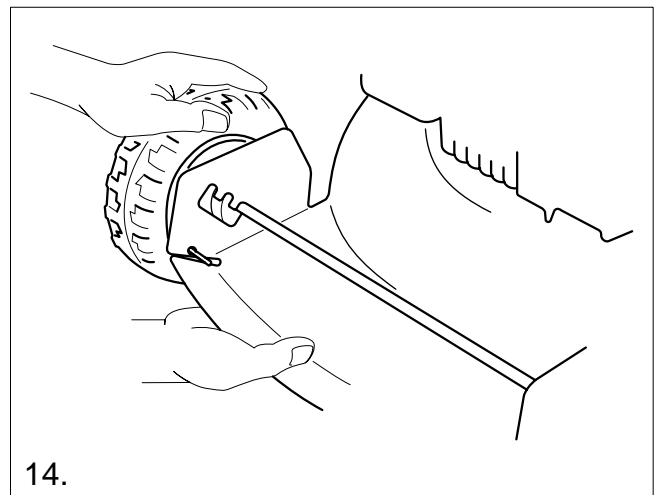
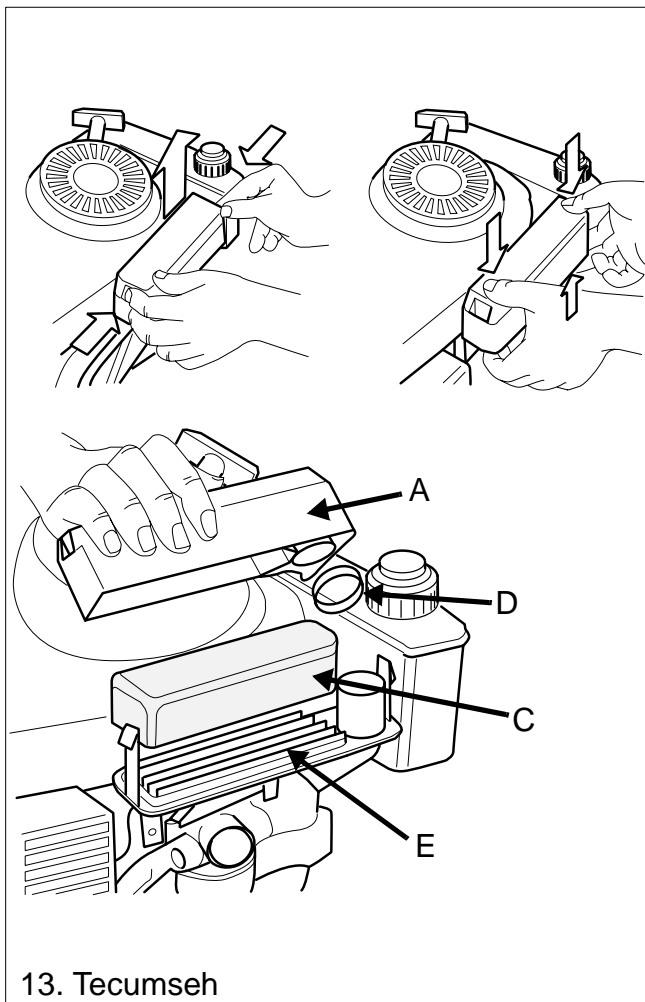
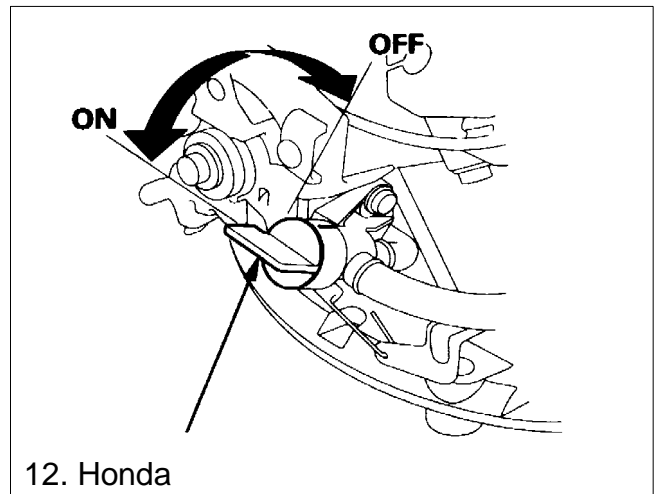
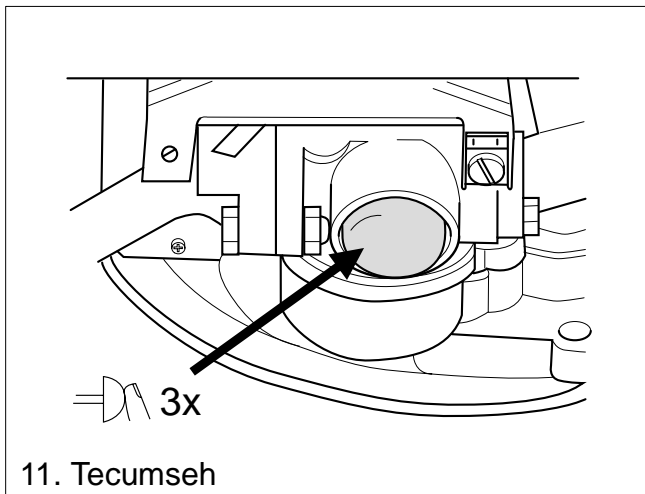
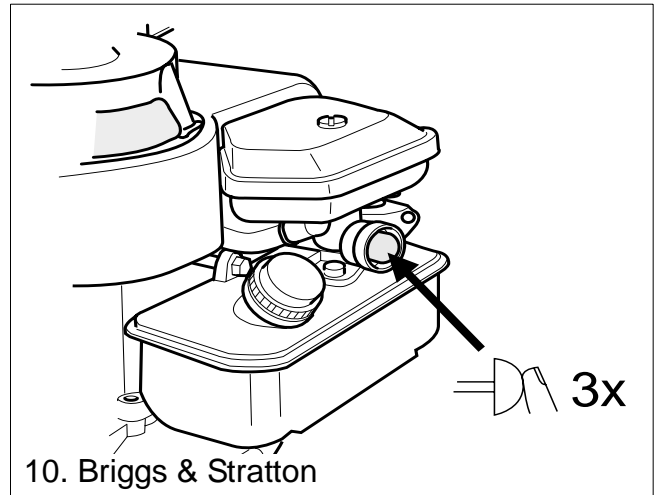
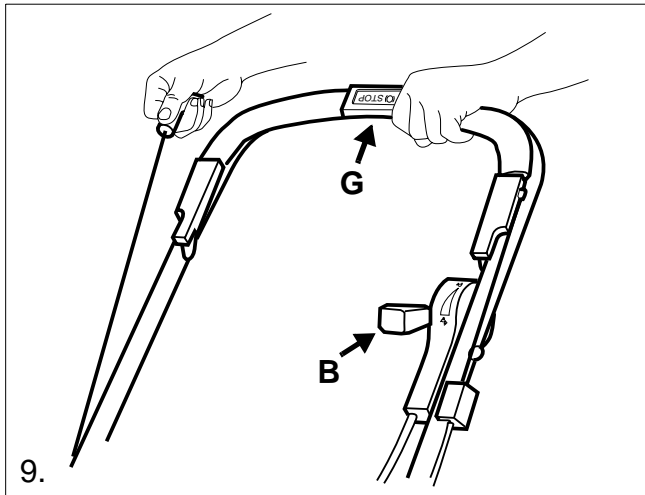
STIGA

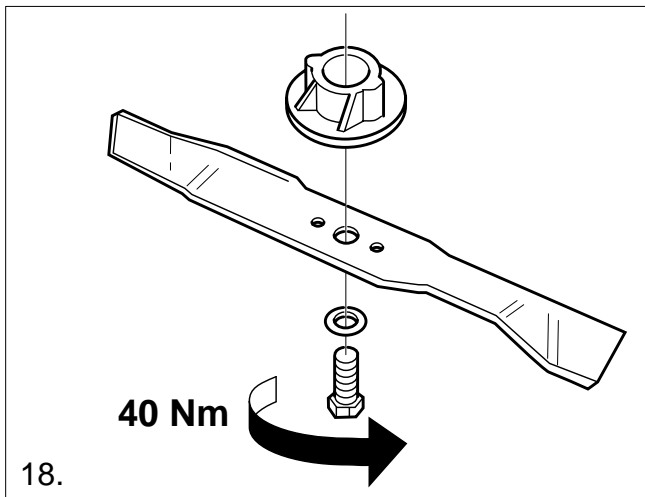
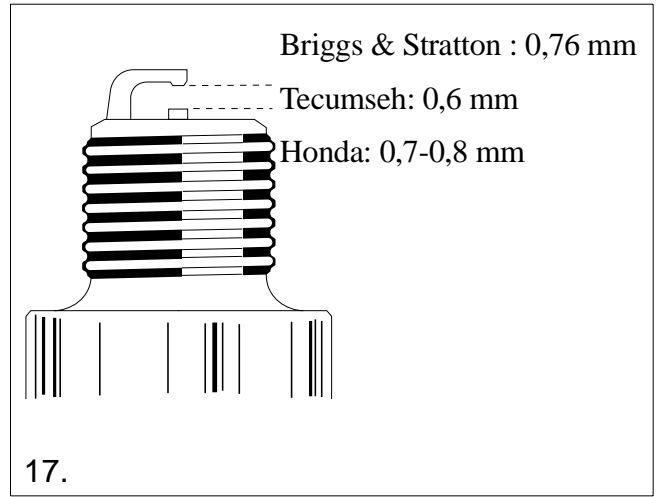
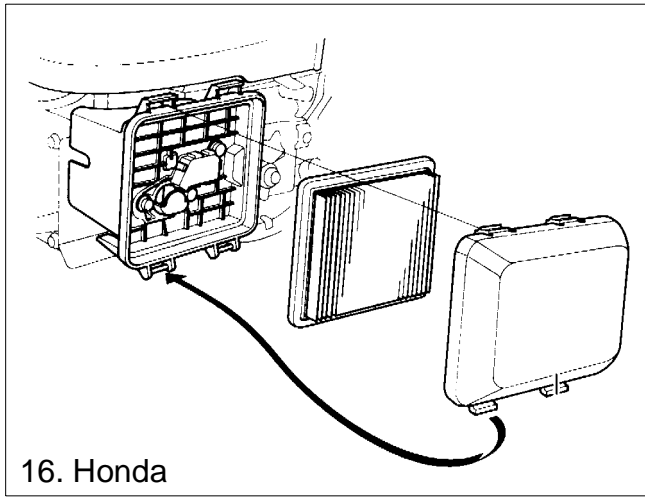


Multiclip

8211-0223-06







SYMBOLS

The following symbols are displayed on the machine in order to remind you about the safety precautions and attention necessary when using the machine.

The symbols mean:



Warning! Read the Instruction Book and Safety Manual before using the machine.



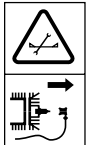
Warning! Keep spectators away. Beware of objects being flung out.



Warning! Do not put hands or feet under the cover of the machine when it is running.



Warning! Before starting any repair work, remove the spark plug cable from the spark plugs.



IMPORTANT

Certain models do not have a throttle. The motor speed is set for optimal function and minimal exhaust emissions.

ASSEMBLING

HANDLEBAR

Hinge up the lower part of the handlebar.

Then attach the upper part of the handlebar with screws, washers and locking knobs (fig. 2).

The handlebar has four different positions. Release the catch with the foot and move the handlebar to the desired position (fig. 3).

1. For normal mowing.
2. For mowing under trees, shrubs etc.
3. Parking position.
4. Transportation and storage position. The handlebar takes up less room if the locking knobs are loosened and the handlebar folded in.

PRO 46

Lift the upper part of the handlebar and position it behind the machine. Move the lower part of the handlebar upwards and tighten the locking knobs A (fig. 3).

Then fit the upper part of the handlebar. A securing eye for the starting handle is fitted on the right-hand side (fig. 1).

Storage position: Slacken the locking knobs on the lower part of the handlebar and move it forwards. Then slacken the locking knobs on the upper part of the handlebar and move it backwards (fig. 4).

Note that you must check to make sure that the wires do not fasten and break when the steering handle is moved upwards or into the storage position.

CABLE BEARER

Put the wires into the cable holder (fig. 5).

USING THE MOWER

BEFORE STARTING

FILL THE CRANKCASE WITH OIL



The lawn mower is delivered without any oil in the motor crankcase. The crankcase must, therefore, be filled with oil before the motor is started the first time.

Remove the oil dipstick (fig. 6, 7, 8).

Fill the engine's crankcase with 0.6 litres of good quality oil (service class SE, SF or SG) Use SAE 30 or SAE 10W-30 oil.

Fill until the oil reaches the "FULL/MAX" mark on the dip stick. Do not fill with too much oil.

CHECKING THE OIL LEVEL

Check before using the machine that the oil level is between "FULL/MAX" and "ADD/MIN" on the dipstick (fig. 6, 7, 8).

Briggs & Stratton, Honda: Remove and dry the dipstick (fig. 6, 7). Slide it down completely and tighten it. Unscrew and pull it up again. Read-off. If the oil level is low, fill with oil up to the "FULL/MAX" mark.

Tecumseh: Stand the lawnmower on a level surface. Clean the area round the oil plug, then remove the plug (fig. 8). If the oil is not level with the edge of the hole, carefully pour in clean oil. Replace the oil plug.

FILL UP THE PETROL TANK




Fill with petrol before starting the motor. Never remove the filler cap or fill with petrol while the motor is running or still warm.

Never fill the fuel tank completely full but allow a little room for the petrol to expand.

Always use pure unleaded petrol. You must never use 2-stroke petrol mixed with oil.

Note that you should always remember that petrol is a perishable commodity. Never buy more petrol than what you can use up in 30 days.

STARTING THE ENGINE (Briggs & Stratton, Tecumseh)

1. Place the lawn mower on flat, firm ground. Do not start in high grass.
2. Make sure the spark plug lead is connected to the spark plug.
3. If the lawnmower is equipped with a throttle lever, set throttle lever **B** in full throttle position  (fig. 9).
4. When starting a cold engine: Press down the primer fully three times (fig. 10, 11).


When starting a warm engine the primer does not need to be used. If the engine stops due to a lack of petrol, refill and press down the primer three times.

5. Press in the Start/Stop-loop **G** against the steering. Note that the Start/Stop loop **G** must be kept pressed-in to prevent the engine from stopping (fig. 9).
6. Grasp the starter handle and start the engine by pulling briskly on the starter handle.
7. To achieve the best cutting results, you should always run the engine at full-speed.



Keep hands and feet well away from the rotating blade(s). Never put your hand or foot under the blade casing or in the grass evacuation unit while the motor is running.

STARTING THE ENGINE (Honda)

1. Place the lawn mower on flat, firm ground. Do not start in high grass.
2. Make sure the spark plug lead is connected to the spark plug.
3. Open the fuel cock (fig. 12).
4. Move the throttle control **B** to the choke position . Note! Don't use the choke position when the engine is warm (fig. 9).
5. Press in the Start/Stop-loop **G** against the steering. Note that the Start/Stop loop **G** must be kept pressed-in to prevent the engine from stopping (fig. 9).
6. Grasp the starter handle and start the engine by pulling briskly on the starter handle.
7. When the motor starts, move the throttle lever backwards until the max. rotation speed is obtained. Note! The engine should always be run at the maximum rotation speed to avoid abnormal engine vibrations.



Keep hands and feet well away from the rotating blade(s). Never put your hand or foot under the blade casing or in the grass evacuation unit while the motor is running.

STOP OF ENGINE



The motor may be very warm immediately after it is shut off. Do not touch the silencer, cylinder or cooling flanges as it can cause burns and injury.

1. Release Start/Stop-loop **G** to stop the engine. This loop must not be disengaged (e.g. through fixing it in the depressed position against the steering), as the engine cannot be stopped.
Honda: Close the fuel cock.
2. If the lawn mower is left unattended to, remove the lead from the spark plug.



If the start/stop loop no longer works, stop the engine by removing the lead from the spark plug. Immediately take the lawn mower to an authorised workshop for repairs.

MOWING TIPS

Before mowing the lawn, take care to remove any stones toys and other hard objects.

A machine with MULCHER system cuts the grass, chops it finely and then blows it down in the lawn. The grass clippings need not to be collected.

The following rules should be observed to give best MULCHER effect:

1. Use a high engine speed (full throttle).
2. Do not mowe when the grass is wet.
3. Do not cut the grass too short. Not more than 1/3rd of the length should be cut off.
4. Always keep it clean under the mower casing.
5. Always use a well sharpened blade.

CUTTING HEIGHT



Shut off the motor before adjusting the cutting height.

Do not set the cutting height so low that the blade/ blades can hit uneven ground.

The cutting height can be adjusted to three positions by moving the wheel axles (fig. 14).

MAINTENANCE



No service is to be made on the motor or grass cutter unit without first switching off the motor and removing the spark plug cable from the spark plug.

Stop the motor and remove the spark plug cable if the mower is to be lifted, e.g. with transportation.

If the machine is to be tilted the fuel tank must be emptied and the sparking plug of the engine kept upwards.

CLEANING

After each time it is used the mower should be cleaned. This is particularly important on the underside of the mower casing. Wash out with the garden hose. The mower will then last longer and function better.

The paint under the mower casing will wear after some time. To prevent corrosion paint with rust preventive.



Clean the silencer and the surrounding area regularly to remove grass, dirt and flammable waste products.

COOLING SYSTEM

Before use, the engine's cooling system should be cleaned. Clean the cylinder's cooling fins and the air intake, removing any grass cuttings, dirt and the like.

CHANGING OIL



Change the oil when the engine is warm and the petrol tank is empty. Hot oil will run out of the engine better. Use caution when draining the hot oil, as it could cause burn injuries.

Change the oil the first time after 5 hours of operation, and subsequently after every 50 hours of operation or once a season. Remove the dip stick, tilt the mower and let the oil run out into a container. Be careful not to let any oil run on to the grass.

Fill with new oil: use oil of SAE 30 or SAE 10W-30 quality. The crankcase holds approx. 0.6 litre. Fill until the oil reaches the "FULL/MAX" mark on the dip stick.

AIR FILTER

A dirty and blocked air filter reduces the engine output and increases engine wear.

Briggs & Stratton: Carefully remove the air cleaner so that no dirt falls down into the carburettor (fig. 15). Take out the foam plastic filter element and wash it in liquid detergent and water. Dry the filter element. Pour a little oil on the filter element and squeeze it in. Refit the air cleaner. Wash the filter every three months or every 25 hours running, whichever comes first, or more frequently if used in dusty conditions.

Honda: Take off the cover then remove the filter (Fig. 16). Check the filter carefully for holes or other damage. A broken or damaged filter must be replaced.

To remove dirt, tap the filter several times against a hard surface, or blow compressed air through the filter from the back. Try not to clean the filter by brushing, as this will force the dirt into the fibres. A very dirty filter should be replaced.

Clean the air filter after every 25 hours of use, or once every season; more often if the motor is used on dusty terrain.

Tecumseh: Check the air filter after every 25 hours of use, more often if the engine is used in dusty conditions. If the foam filter is dirty or blocked it should be replaced.

Dismantle the cover **A**. Clean inside the cover **A** and the filter support **E**, (fig. 13). Soak the foam filter **C** with two teaspoons (approx. 20 ml) of engine oil. Massage the filter with a clean cloth to remove any excess oil. Also check the seal **D**, replace it if damaged or deformed.

Refit the cover **A**.

SPARKING PLUG



Never remove the spark plug or the ignition lead when checking to see if there is any spark, always use an approved test instrument.

Clean the sparking plug regularly (every 100 hours running). Use a wire brush for cleaning and adjust the correct spark gap (fig. 17).

Change the sparking plug if the electrodes are excessively burnt or if the plug is damaged. The recommendations of the engine manufacturers are as follows:

Briggs & Stratton: Champion J19LM (RJ19LM), Spark gap 0,76 mm.

Honda: BPR6ES (NGK), Spark gap 0,7-0,8 mm.

Tecumseh: Champion RJ17LM, RJ19LM, Spark gap 0,6 mm.

CHANGING BLADES



Use protective gloves to prevent cuts when changing blades/knifeblades.

Blunt and damaged blades tear off the grass and spoil the look of the lawn after mowing. New, well sharpened blades cut the grass cleanly, so that the lawn looks green and fresh even after mowing.

Always check the blade(s) after an impact. First disconnect the ignition cable. If the blade system has been damaged the defective parts must be changed. Always use genuine spare parts.

To replace the blade, slacken the screw. Fit the new blade so that the stamped STIGA logotype is turned facing the blade attachment (and not facing the grass). Refit the washer and screw. Tighten the screw fully to a torque of 40 Nm (fig. 18).

When replacing the blade, the blade screw should also be replaced.

The guarantee does not cover damage to the blade, blade holder or engine caused by running into obstacles.

When replacing the blade, the blade holder and blade screw, always use original spare parts. Non-authentic spare parts could lead to the risk of personal injury or damage, even if they fit the machine.

SHARPENING OF THE BLADES

Sharpening of the blades must be done by wet method grinding, using a whetstone or a grindstone.

For the sake of safety, the blades should not be sharpened on an emery wheel. A very high temperature could cause the blade to become brittle.



Once the blade has been sharpened, it must then be balanced so as to avoid vibration damage.

STORAGE

WINTER STORAGE

Empty the fuel tank. Start the engine and let it run until it stops. The same petrol must not remain in the tank for more than one month.

Tip up the mower and screw out the sparking plug. Pour a teaspoon of engine oil in the sparking plug hole. Pull out the starting handle slowly so that the oil is distributed in the cylinder. Screw in the sparking plug.

Thoroughly clean the mower and store it indoors in a dry place.

Free Manuals Download Website

<http://myh66.com>

<http://usermanuals.us>

<http://www.somanuals.com>

<http://www.4manuals.cc>

<http://www.manual-lib.com>

<http://www.404manual.com>

<http://www.luxmanual.com>

<http://aubethermostatmanual.com>

Golf course search by state

<http://golfingnear.com>

Email search by domain

<http://emailbydomain.com>

Auto manuals search

<http://auto.somanuals.com>

TV manuals search

<http://tv.somanuals.com>