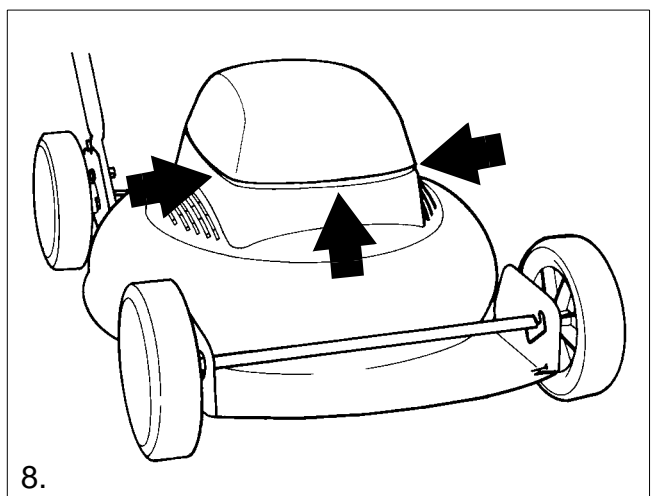
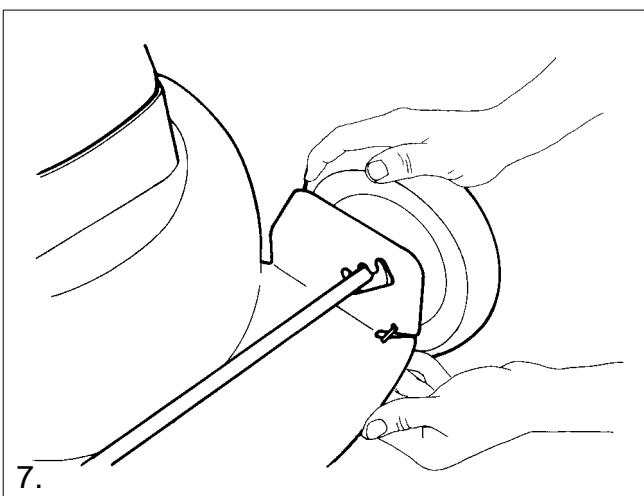
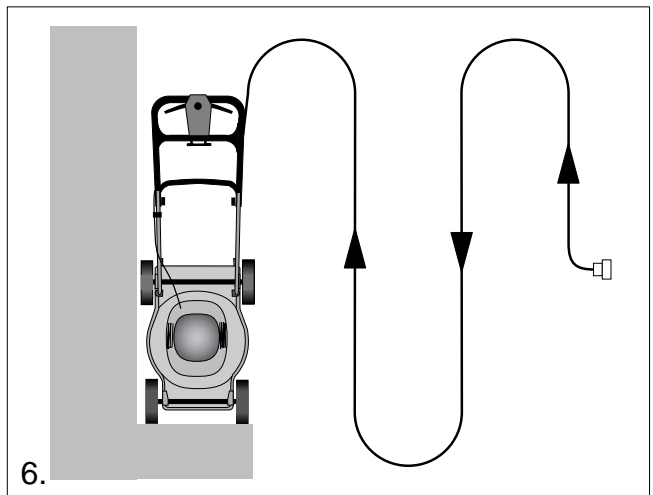
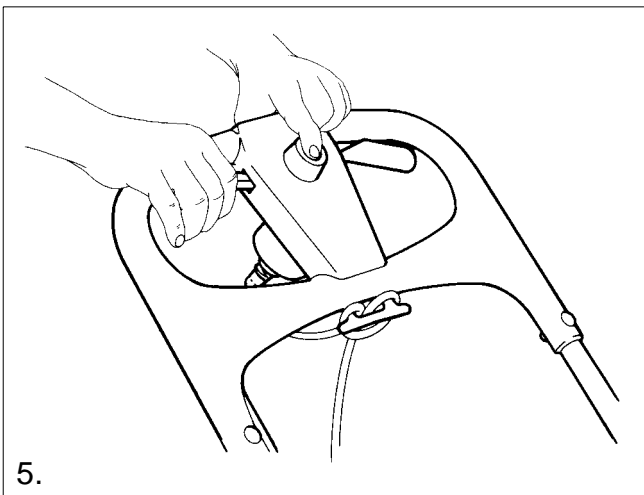
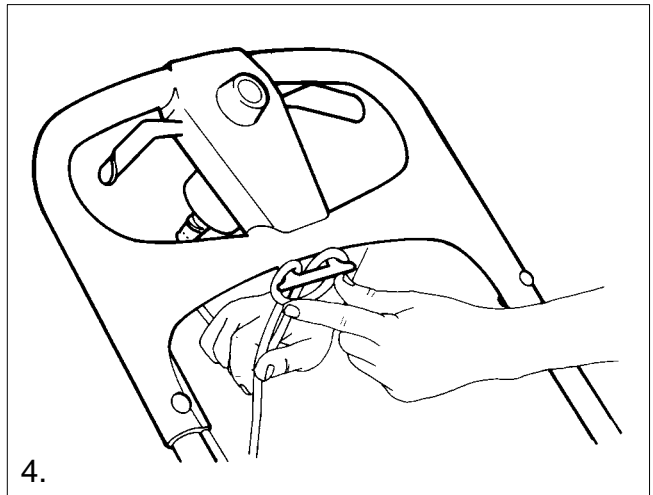
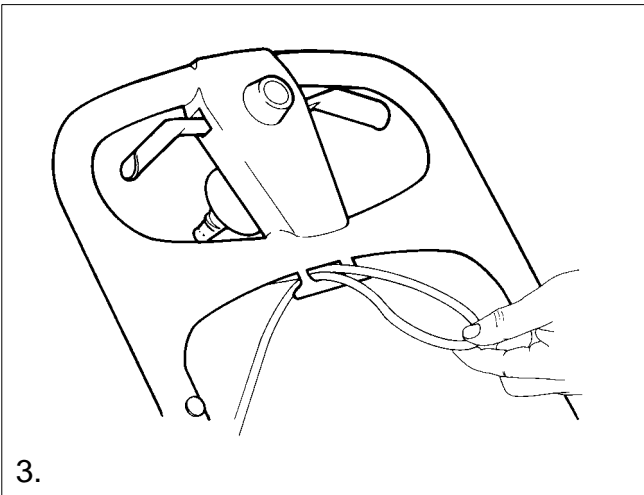
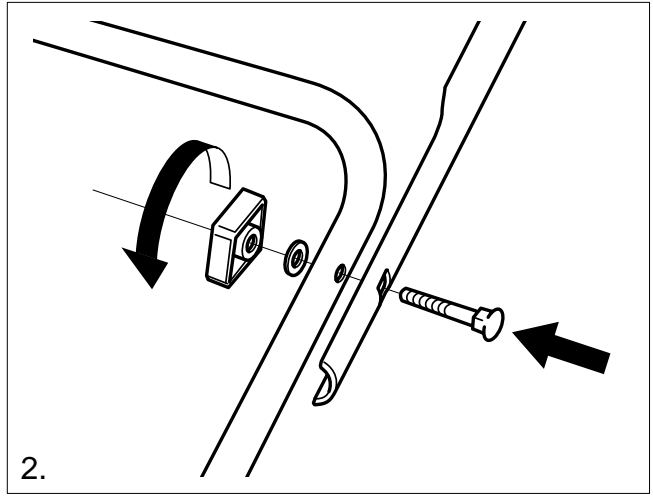
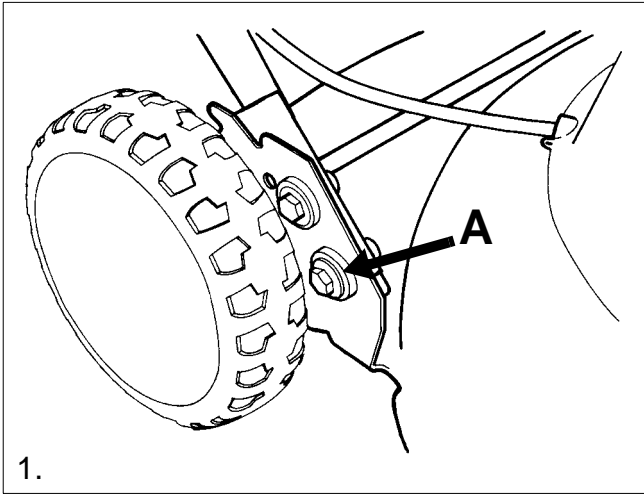


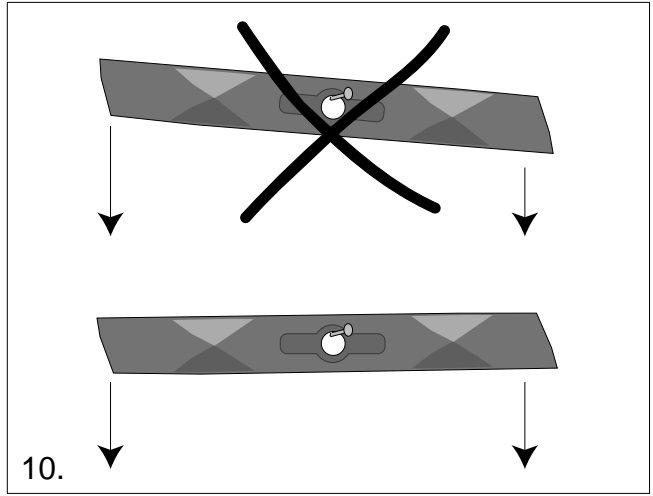
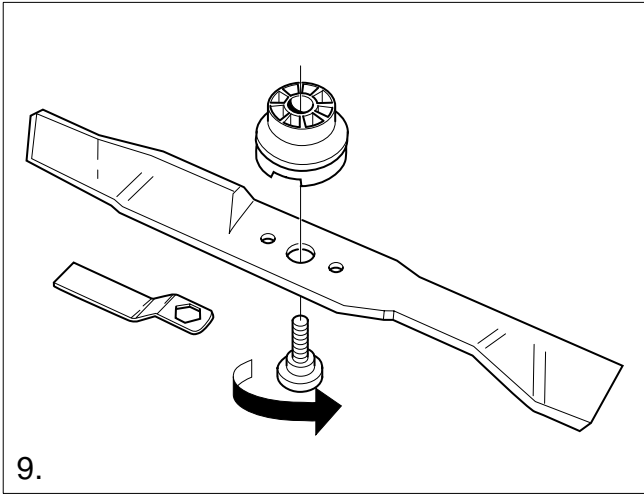
STIGA



Multiclip

8211-0229-06





SYMBOLS

The following symbols are displayed on the machine in order to remind you about the safety precautions and attention necessary when using the machine.

The symbols mean:



Warning! Read the Instruction Book and Safety Manual before using the machine.



Warning! Keep spectators away. Beware of objects being flung out.



Warning! Before starting any repair work, disconnect the plug from the wall socket.



Warning! Keep the extension cord away from the cutting deck.



Warning! Do not put hands or feet under the cover of the machine when it is running.



Warning! The blades continue to rotate even after the machine has been switched off.



ASSEMBLING

HANDLEBAR

1. Set the highest cutting height (position 3, see also under heading "CUTTING HEIGHT")
2. The parts used for installation of the lower section of the steering handle are installed in a package. Remove the parts from the lower hole on the chassis. Then fold the lower section of the steering handle up and fit the parts. NOTE that the washer **A** should be fitted between the screw and the plastic bushing (fig. 1).
3. Fold the upper section of the steering handle up and tighten the lock knobs (fig. 2).

USING THE MOWER

CONNECTING

Connect the machine to an earthed, single phase electric socket. The circuit must be protected by a 10A slow fuse.

Only use an extension cable that is approved for outdoor use with a maximum length of 50 m. It should not be lighter than type 245 IEC 53 (H05RR-F) or 227 IEC 53 (H05VV-F). If you are unsure of anything, please contact your dealer.

Check that the extension cable is not damaged, each time before using the machine. The machine may not be used if the extension cable is damaged. Relieve the extension cable in the load relief unit on the steering handle (fig. 3, 4).

We recommend that you use an earth leakage circuit breaker that will cut off the power if anything happens to the machine or the extension lead. If you use a portable earth leakage circuit breaker this must be fitted between the electric socket and the extension lead. Test the operation of the earth leakage circuit breaker before use.

If uncertain, contact your retailer.

START/STOP OF ENGINE



Keep hands and feet well away from the rotating blade(s). Never put your hand or foot under the blade casing or in the grass evacuation unit while the motor is running.

When starting up the motor, press the handlebar to lift the front wheels and in that way reduce the resistance from the grass at the starting moment.

Do not engage and disengage the motor repeatedly since this will build up heat because of the high current when starting, and this could, consequently, cause motor damages.

Press the block button **1**. Start the engine by pressing in the start handle **2** against the steering (fig. 5). Release the start handle to stop the engine.

OVERLOADING THE ENGINE

The lawn mower has an integrated overload protector. If this trips the engine will not start. Let the engine cool for 2 minutes before restarting.

If the mower still does not start, contact an authorised service workshop.

MOWING TIPS

Always mow so the cable is laid out behind you on the grass (fig. 6).



Never cross the cable! Should this happen by accident, stop the motor, pull out the plug and check if the cable is damaged.

Before mowing the lawn, take care to remove any stones toys and other hard objects.

A machine with MULCHER system cuts the grass, chops it finely and then blows it down in the lawn. The grass clippings need not to be collected.

The following rules should be observed to give best MULCHER effect:

1. Do not cut the grass too short. Not more than 1/3rd of the length should be cut off.
2. Always keep it clean under the mower casing.
3. Always use a well sharpened blade.
4. Avoid mowing when the grass is wet. The grass then sticks to the underside of the casing, giving poor mowing results.

CUTTING HEIGHT



Do not set the cutting height so low that the blade/ blades can hit uneven ground.

When adjusting the cutting height - always first disconnect the plug.

The cutting height can be adjusted to three positions by moving the wheel axles (fig. 7).

- Position 1 = Lowest cutting height
- Position 3 = Highest cutting height

CLEANING

In order to function properly the engine must be effectively cooled. This is done by a fan which sucks in air at the air intake on the engine casing (fig. 8).

To make sure that the cooling system functions properly the air intake must be thoroughly cleaned if it has become blocked.

The machine should be cleaned each time after use. For best possible mowing results it is important that the underside of the chassis is kept clean. Use a brush or blow with compressed air.

The machine must not be washed down with water.

MAINTENANCE

CHANGING BLADES

You must never service the motor or the lawn mower before first shutting off the motor and pulling out the plug.

Use protective gloves to prevent cuts when changing blades/knifeblades.

Blunt and damaged blades tear off the grass and spoil the look of the lawn after mowing. New, well sharpened blades cut the grass cleanly, so that the lawn looks green and fresh even after mowing.

To replace the cutting blades, slacken the screw using the enclosed blade wrench. Fit the new blade so that the punched STIGA logotype on the blade is facing upwards towards the chassis (not down towards the grass). Refit the screw and tighten to 20 Nm.

When replacing the blade, the blade screw should also be replaced.

The guarantee does not cover damage to the blade, blade holder or engine caused by running into obstacles.

When replacing the blade, the blade holder and blade screw, always use original spare parts. Non-authentic spare parts could lead to the risk of personal injury or damage, even if they fit the machine.

SHARPENING OF THE BLADES

Sharpening of the blades must be done by wet method grinding, using a whetstone or a grindstone.

For the sake of safety, the blades should not be sharpened on an emery wheel. A very high temperature could cause the blade to become brittle.



Once the blade has been sharpened, it must then be balanced so as to avoid vibration damage (fig. 10).

STORAGE

Thoroughly clean the mower and store it indoors in a dry place.

Free Manuals Download Website

<http://myh66.com>

<http://usermanuals.us>

<http://www.somanuals.com>

<http://www.4manuals.cc>

<http://www.manual-lib.com>

<http://www.404manual.com>

<http://www.luxmanual.com>

<http://aubethermostatmanual.com>

Golf course search by state

<http://golfingnear.com>

Email search by domain

<http://emailbydomain.com>

Auto manuals search

<http://auto.somanuals.com>

TV manuals search

<http://tv.somanuals.com>