

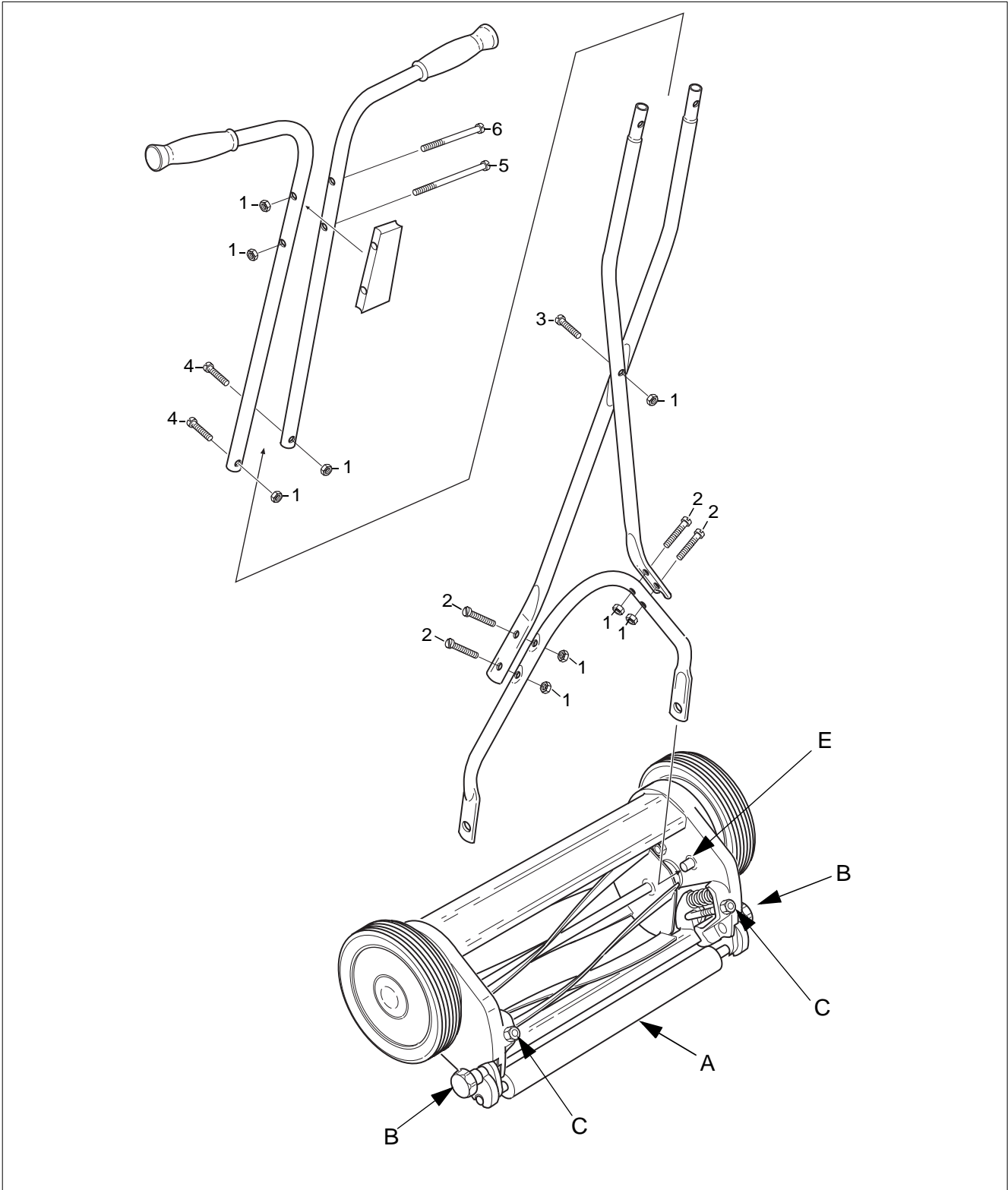


**STIGA**

**FREECLIP**

**8211-2204-02**

**STIGA**<sup>®</sup>  
MOWING AHEAD



- 1. 9x (M6)
- 2. 4x (M6 x 30 mm)
- 3. 1x (M6 x 35 mm)
- 4. 2x (M6 x 28 mm)
- 5. 1x (M6 x 73 mm)
- 6. 1x (M6 x 63 mm)



---

## SAFETY REGULATIONS

---



**Read the instructions carefully. Familiarise yourself with all the controls and the correct operation of the machine.**

- This machine is only intended for mowing lawns. Any other type of usage, e.g. the cutting of bushes, hedges or climbing plants, is forbidden due to the risk of personal injury.
- Never let children or any person not acquainted with these regulations use the mower. Local regulations may include restrictions concerning the minimum age of the operator.
- Never use the machine if other people, particularly children, or animals are in the vicinity.
- Remember that the operator will be held responsible for any accidents involving other persons or their property.
- Always wear strong shoes and long trousers when mowing. Do not operate the machine in your bare feet or when wearing sandals.
- Always use hearing protectors.
- Check the area to be mown thoroughly and remove any stones, sticks, steel wire or other objects.

## MAINTENANCE AND STORAGE

- Check that all nuts and bolts are tightened so that the machine is in a safe operating condition.
- To ensure safe operation, replace any worn or damaged parts.
- Clean the mower carefully and lubricate the cutting edges of the blades with a little oil. Store it indoors in a dry place.
- Store the machine where children cannot gain access to it.

---

## ASSEMBLY

---

Fit the handlebar according to figure 1. By pressing the bottom ends together the handlebar can be fitted on the pins E.

---

## MOWING HEIGHT

---

The mowing height can be adjusted by changing the height of the roller A. First place the mower on level ground and release the nuts B, then set the required mowing height. NOTE! The roller should always be horizontal. Tighten the nuts well. High grass should first be mowed at the highest mowing height, and then mowed to the preferred height.

---

## ADJUSTMENT OF LOWER BLADE

---

The lower blade is preset so that it **almost** touches the cylinder. Check that this setting is correct along the full length of the lower blade.

To adjust, turn the adjusting screws C to the same angle. Turning clockwise reduces the distance between the lower blade and the cylinder.

---

## WARRANTY POLICY

---

Your lawn mower is protected by a factory warranty for a period of 12 months from the date of purchase. Please keep your receipt as proof of purchase.

The warranty covers all parts with material or manufacturing faults. Freight costs during the warranty period are to be paid by the owner. The warranty does not cover damage or faults caused by owner/operator negligence.





MOWING AHEAD

GGP Sweden AB • Box 1006 • SE-573 28 TRANÅS

[www.stiga.com](http://www.stiga.com)

## Free Manuals Download Website

<http://myh66.com>

<http://usermanuals.us>

<http://www.somanuals.com>

<http://www.4manuals.cc>

<http://www.manual-lib.com>

<http://www.404manual.com>

<http://www.luxmanual.com>

<http://aubethermostatmanual.com>

Golf course search by state

<http://golfingnear.com>

Email search by domain

<http://emailbydomain.com>

Auto manuals search

<http://auto.somanuals.com>

TV manuals search

<http://tv.somanuals.com>