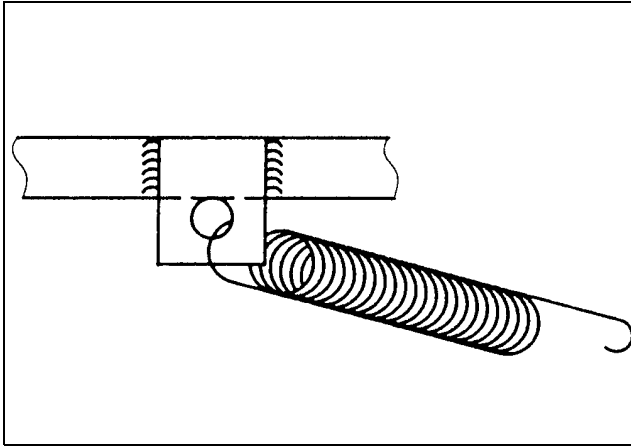


STIGA PARK

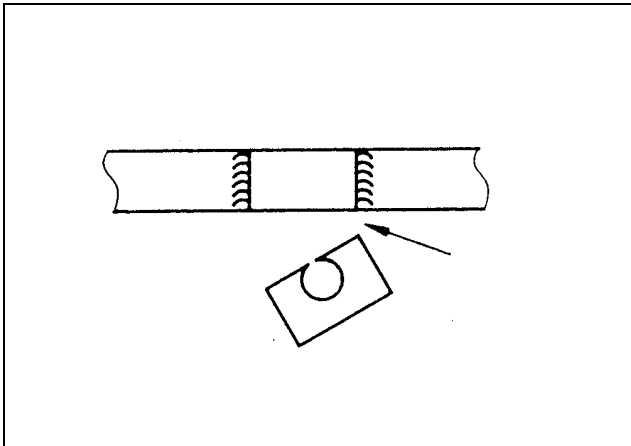
121M

8211-3011-07

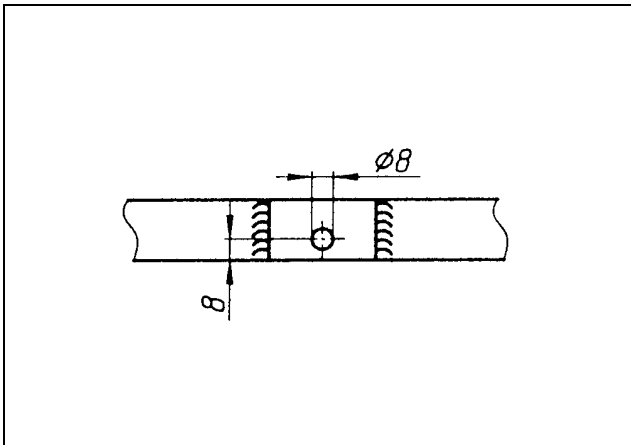




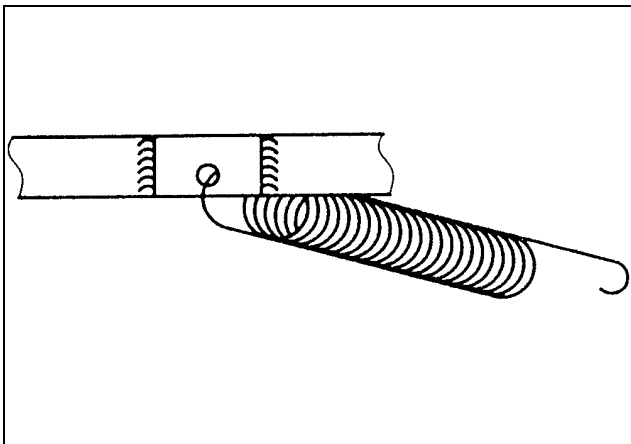
1. Park -1993



2. Park -1993



3. Park -1993



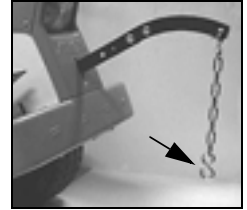
4. Park -1993



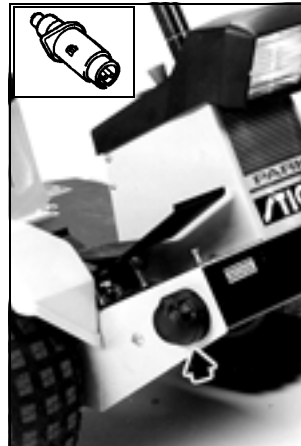
5a.



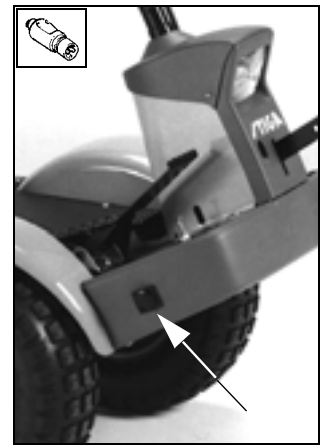
5b.



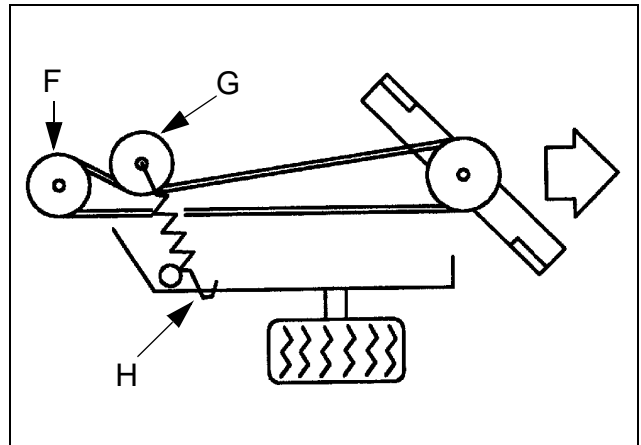
5c. Pro18 - Pro20



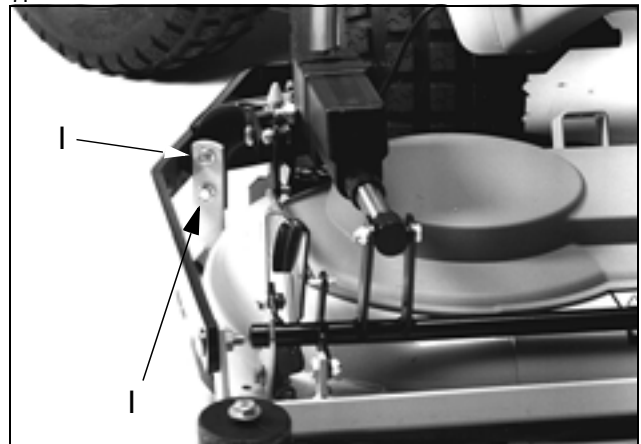
6a. Park -1999



6b. Park 2000-



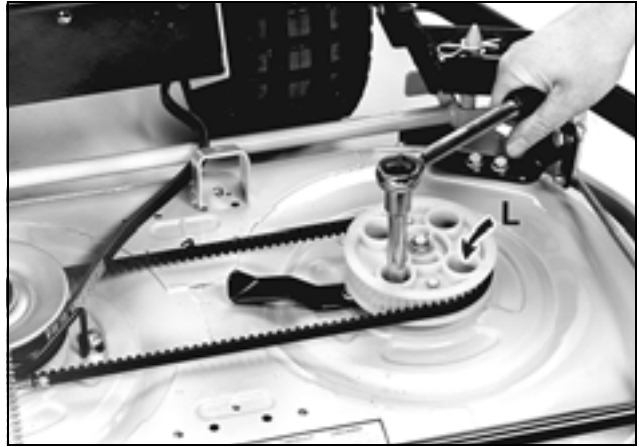
7.



8.



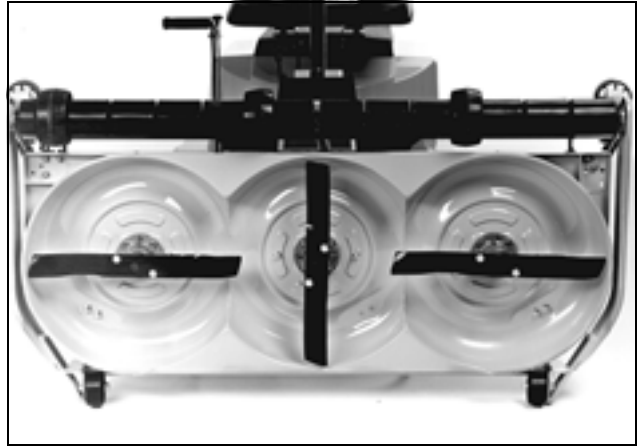
9.



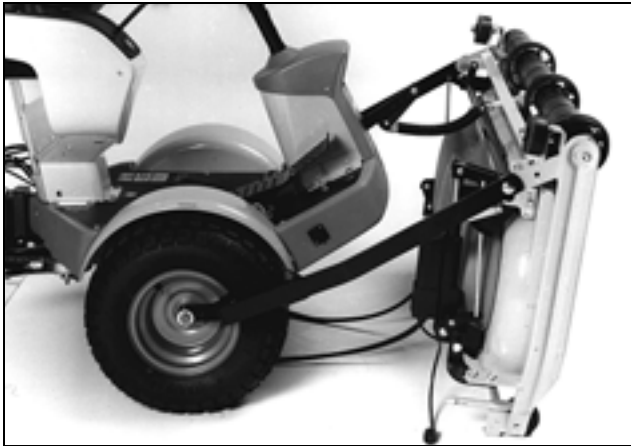
13.



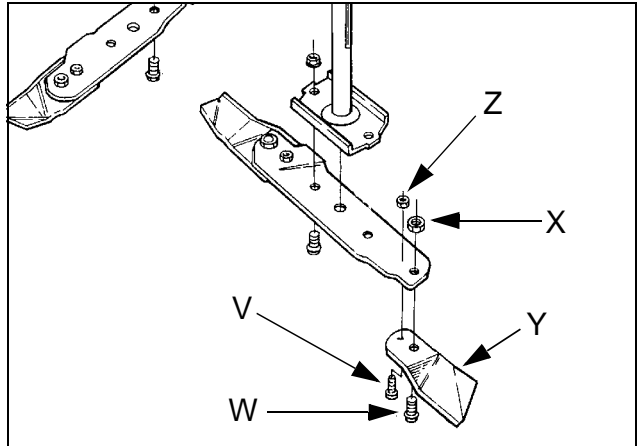
10.



14.



11.



15.



12.

Denna produkt, eller delar därav, omfattas av följande
 mönsterskydd:
 This product, or part of it, is covered by the following
 design registration:

Sverige/Sweden	62 435
Tyskland/Germany	M97 07 997.9 (pending)

SYMBOLS

The following symbols are displayed on the machine in order to remind you about the safety precautions and attention necessary when using the machine.

The symbols mean:



Warning!

Read the instruction book and safety manual before using the machine.



Warning!

Do not put hands or feet under the cover of the machine when it is running.



Warning!

Beware of objects being flung out. Keep spectators away.



Warning!

Before starting any repair work, remove the spark plug cable from the spark plug.



INTRODUCTION

This mower deck can only be used for Park machines with a motor output of at least 16 hp.

The mower deck is available in two versions as standard:

- with mechanical setting of the mowing height (art. no. 13-2915)
- with factory-fitted, electrical setting of the mowing height (art. no. 13-2921).

PREPARATIONS

Park models up to 1993:

A modification must be made to the machine to use the mower deck:

1. Dismantle the return spring for centre steering (fig 1).
2. Saw off the spring bracket, level with the frame side member (fig 2).
3. Drill a new hole (Ø 8 mm), 8 mm from the lower edge of the frame side member (fig 3).
4. Fit the spring in the new hole (fig 4).

ASSEMBLY

MOWER DECK

1. Bolt the mower deck to the attachment brackets D (fig 5a).
2. Then hook the lower S-hook on to the mower deck (fig 5b-c).
3. Connect the electrical contact to the outlet on the side of the machine (applies only to art. no. 13-2921), (fig. 6).

V - BELT

1. Set the height adjustment to an intermediate position.
2. Lift the mower deck using the attachment lift.
3. Pull the v-belt over the machine's central belt pulley F (fig 7).
4. Tension the belt using the tension roller G. The tension roller should be on the left of the belt seen from the operator's position.

5a. Park -1999:

Hook the tension roller spring H into the floor on the right hand side (fig 7).

5b. Park 2000- :

Hook the tension roller spring H into the fastener, just behind the front right wheel (fig 7).

SETTING

For the attachment to mow evenly and cleanly it needs to be adjusted correctly:

1. Make sure the tyre pressure is correct:

Front: 0.6 bar (9 psi).

Rear: 0.4 bar (6 psi).

2. Place the machine on a flat surface. Loosen the screws I (fig 8).
3. Adjust the mower deck so that the casing's front and rear edges are the same height from the floor.
4. Tighten the screws.

USE

MOWING HEIGHT

The mowing height may vary from 30 to 80 mm:

- art. no. 13-2915 has seventeen *fixed* mowing

height positions

- art. no. 13-2921 has *stepless* adjustment of the mowing height.

N.B. The stated mowing heights apply when the machine is standing on firm ground.

MOWING HINTS

For the best "Multiclip" effect follow this advice:

- mow regularly.
- use full throttle on the engine.
- keep the underside of the mower deck clean.
- use sharp blades.
- do not mow wet grass.
- mow twice (using different mowing heights) if the grass is long.

MAINTENANCE

PREPARATIONS

Unless otherwise stated, all service and maintenance must be performed on a machine that is standing still where the engine has been switched off.



Prevent the machine from rolling, by always applying the parking brake.



Prevent involuntary engine start by always stopping the engine, loosening the spark plug cable from the sparking plug and earthing it. Remove the minus (-) cable from the battery.

MAINTENANCE TIPS

To facilitate cleaning and maintenance of the mower deck it can be folded up:

1. Set the mowing height adjustment to an intermediate position (= least tension on the drive belt).
2. Lift up the mower deck using the attachment lift.
3. Unhook the tension roller spring H (fig 7).
4. Pull off the v-belt from the central belt pulley F.
5. Loosen both locking pins J (fig 9).
6. Grip the mower deck's frame (fig 10).
7. Fold up the mower deck until it stands upright on the rear support plates (fig 11).

CLEANING

After use the underside of the mower deck should be hosed down.

If grass cuttings have dried on to the mower deck, scrape the underside clean.

If necessary touch-up the underside using a suitable paint to prevent corrosion.

DRIVE BELTS

If any of the blades have hit a solid object (e.g. a stone) the belt tension can change. This means that the drive belt can, "miss-mesh" which in the long term can damage the blades.

If necessary adjust the drive belt:

1. Unhook the tension roller spring H (fig 7).
2. Pry off the drive belt from the central belt pulley F.
3. Dismantle the transmission casing.
4. Loosen the tension arm K (fig 12).
5. Loosen the bearing box's fixing bolts L (fig 13).
6. Tension the drive belt by pressing the tension arm backwards.
7. Tighten the tension arm's fixing bolts.
8. Tighten the bearing box's fixing bolts.
9. Carry out the same procedure for the other drive belt.



When changing the drive belts, make sure that the outer blades are always at 90° to the centre blade (see fig 14).

If you fit the drive belts incorrectly the blades will collide as they overlap each other.

Always check the position of the blades after changing the drive belt or adjusting the tension.

CHANGING BLADES



Use protective gloves to prevent cuts when changing blades/blade tips.

Make sure the blades are always sharp. This gives the best mowing results.

Always check the blade(s) after an impact. If the blade system has been damaged the defective parts must be changed.



Always use original spare parts. Using non-original spare parts can result in the risk of damage even if they fit in the machine.

The cutting system consists of three blade bars, each with two interchangeable blade tips Y (fig 15). Both blade tips should be replaced at the same time to avoid any imbalance.

Fit the new blade tips. Tighten the screws V and W fully. Tightening torque: V - 9.8 Nm, W - 24 Nm.

And heavy impact can result in the blade tip being folded aside. Loosen the locking nut X and turn the blade tip back to its correct position. Mount a new shear bolt V. Tighten the lock nuts X and Z.

SPARE PARTS

STIGA original spare parts and accessories are constructed exclusively for STIGA machines. Note that non original spare parts and accessories have not been checked or approved by STIGA.



Usage of such parts and accessories can influence the machines operability and safety. STIGA cannot be held responsible for injuries caused by these products.

STIGA reserves the right to modify the product without prior notice.

Free Manuals Download Website

<http://myh66.com>

<http://usermanuals.us>

<http://www.somanuals.com>

<http://www.4manuals.cc>

<http://www.manual-lib.com>

<http://www.404manual.com>

<http://www.luxmanual.com>

<http://aubethermostatmanual.com>

Golf course search by state

<http://golfingnear.com>

Email search by domain

<http://emailbydomain.com>

Auto manuals search

<http://auto.somanuals.com>

TV manuals search

<http://tv.somanuals.com>