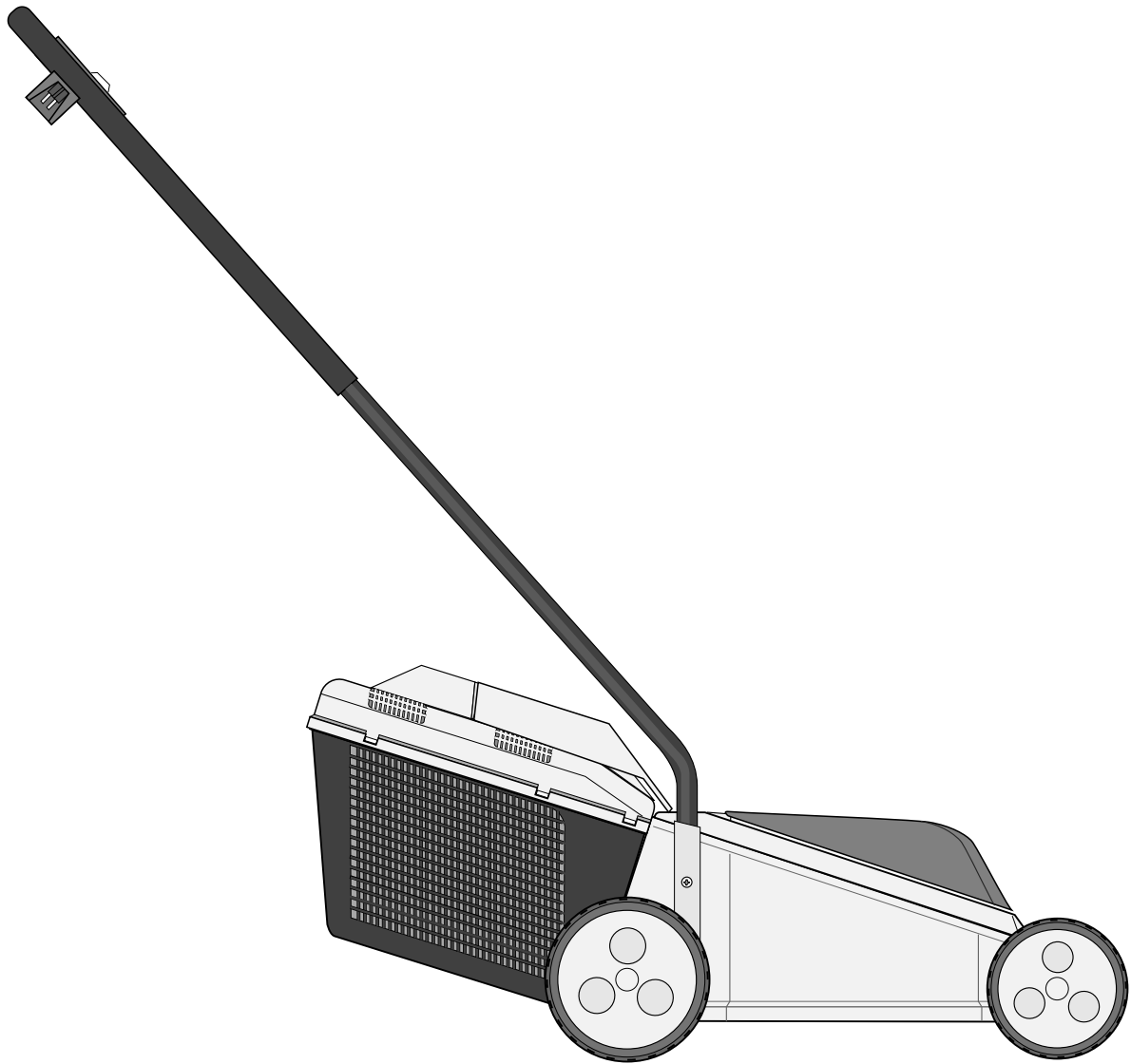
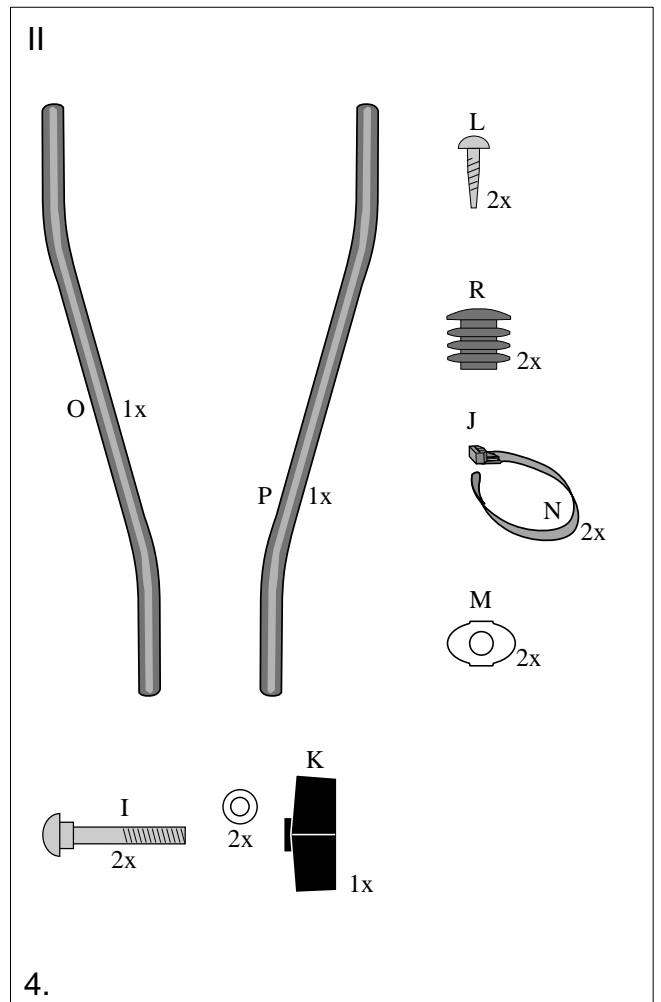
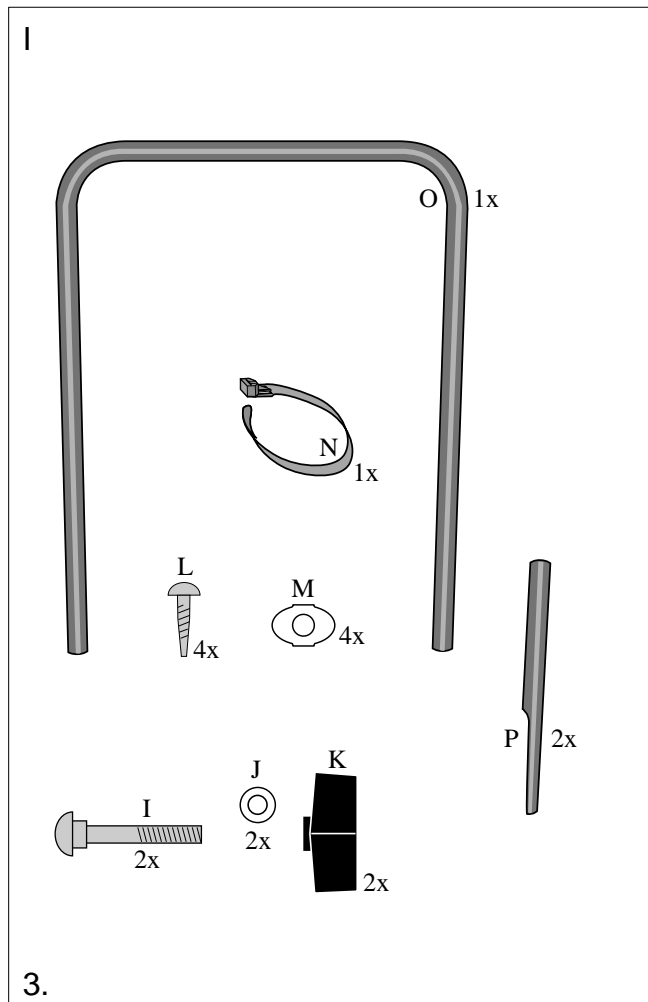
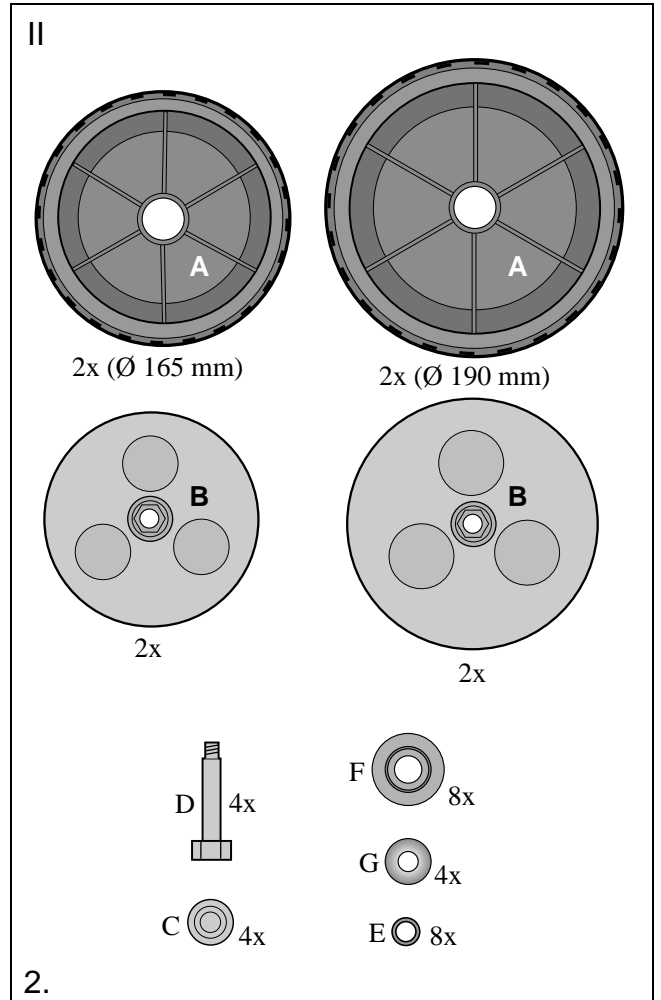
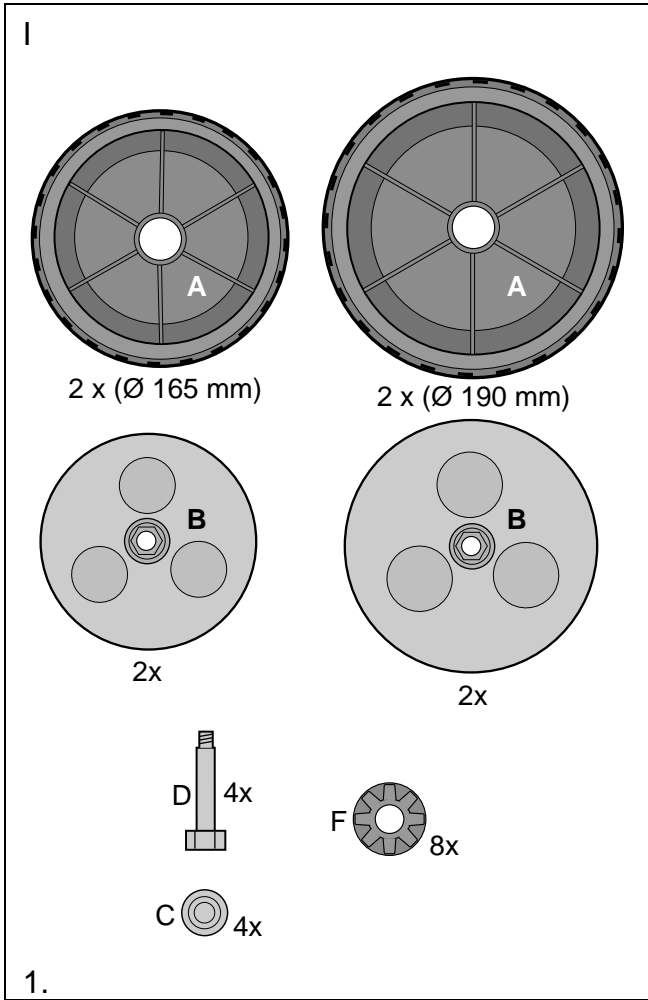


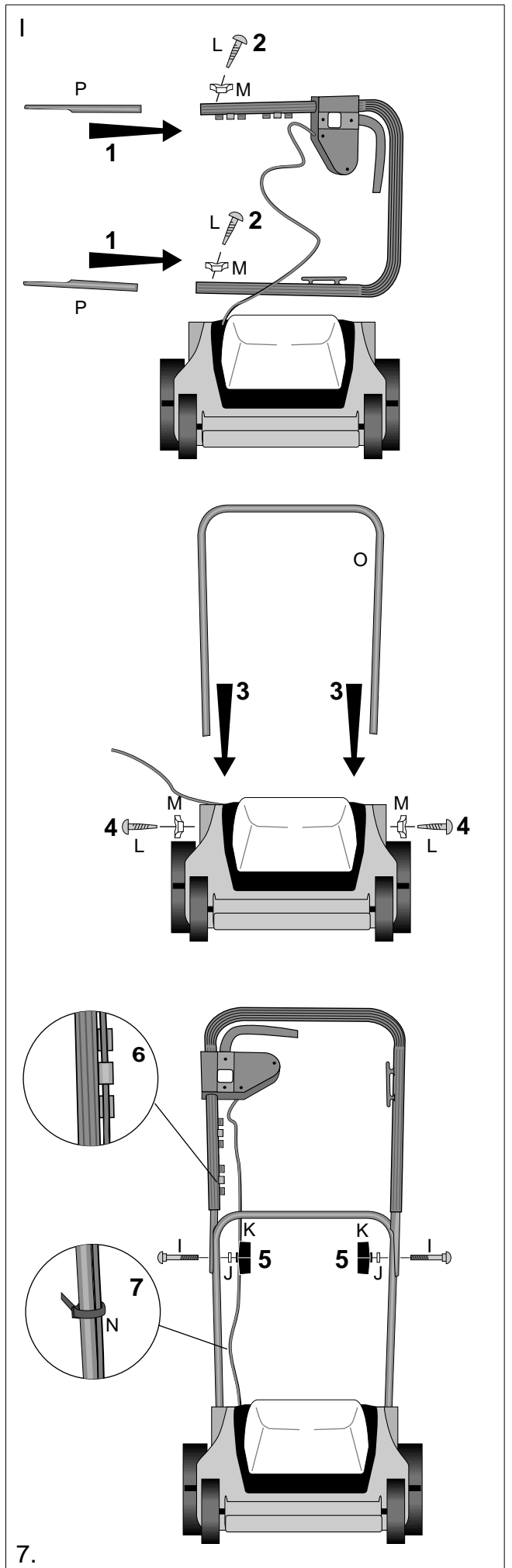
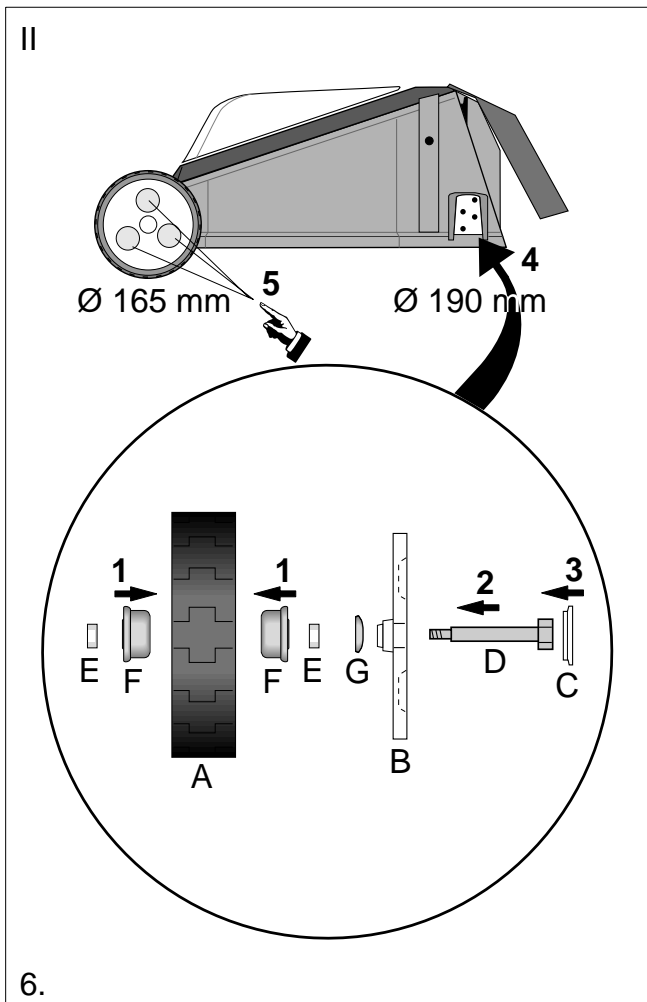
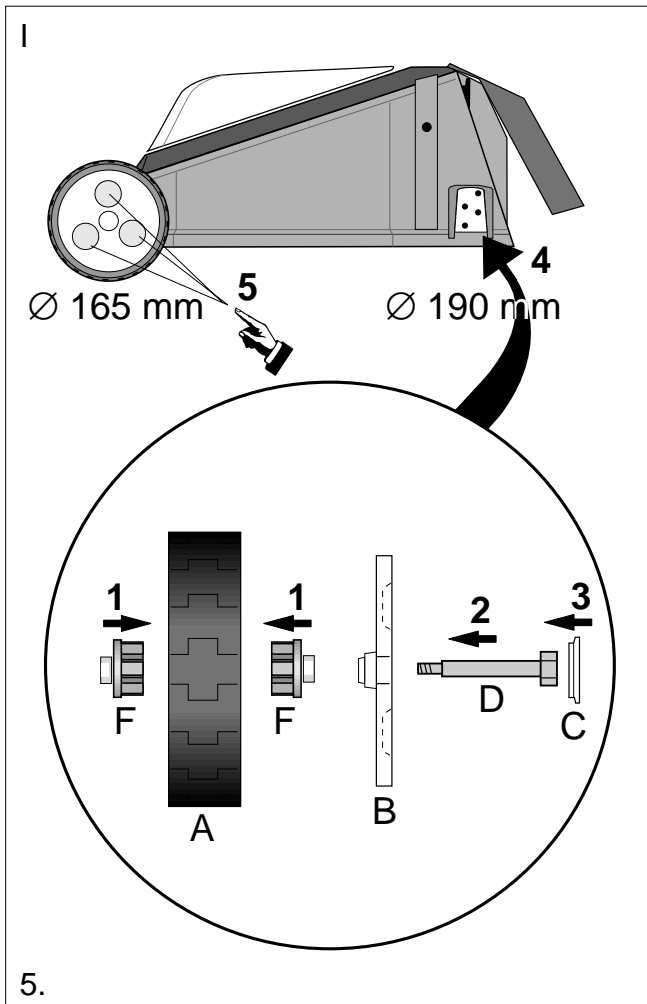
STIGA

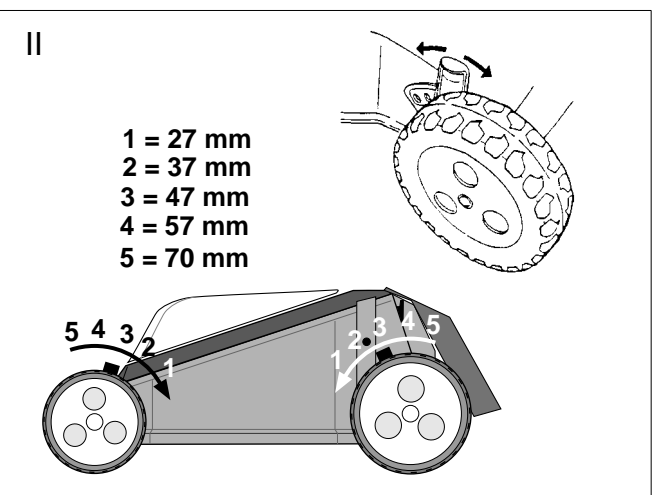
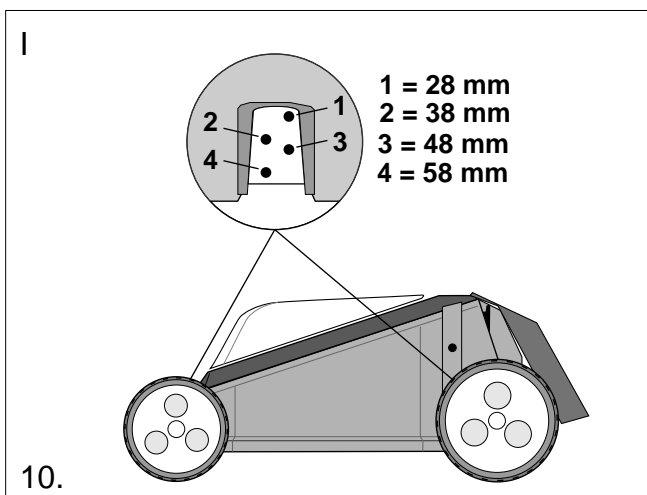
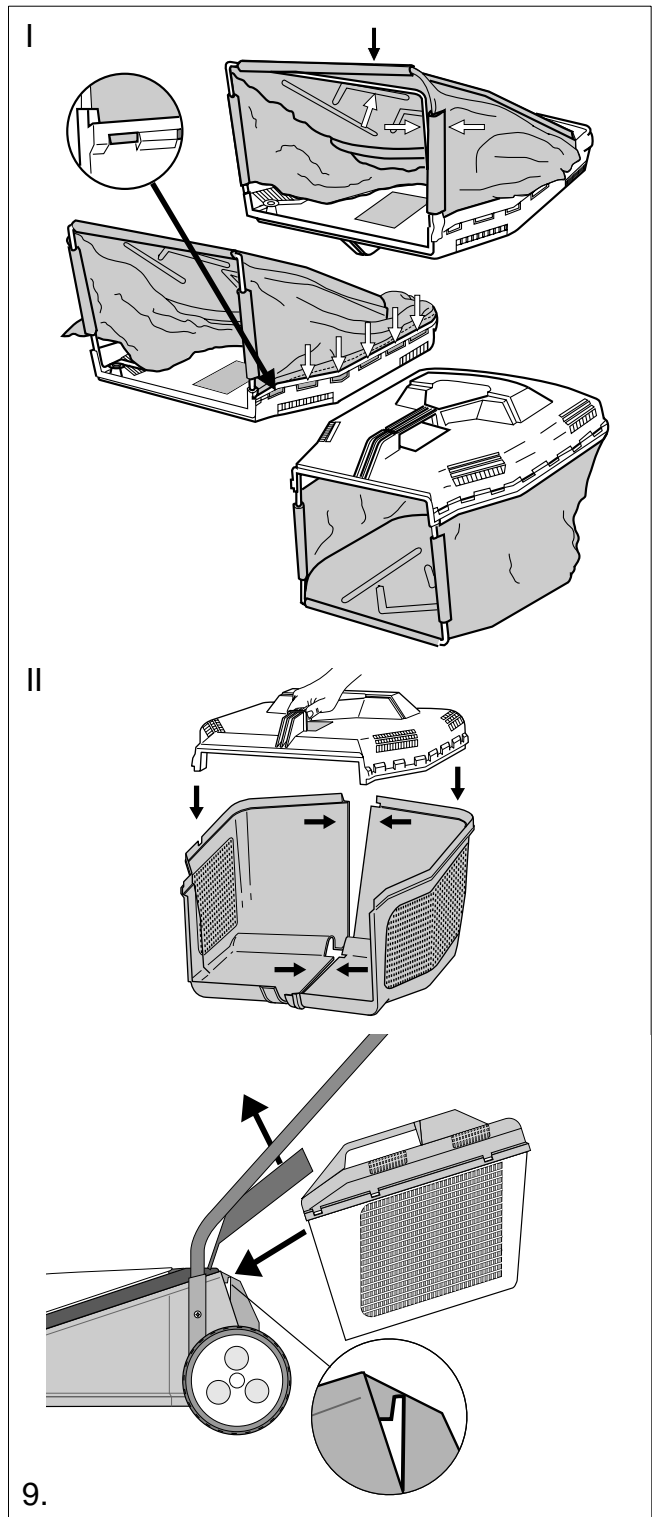
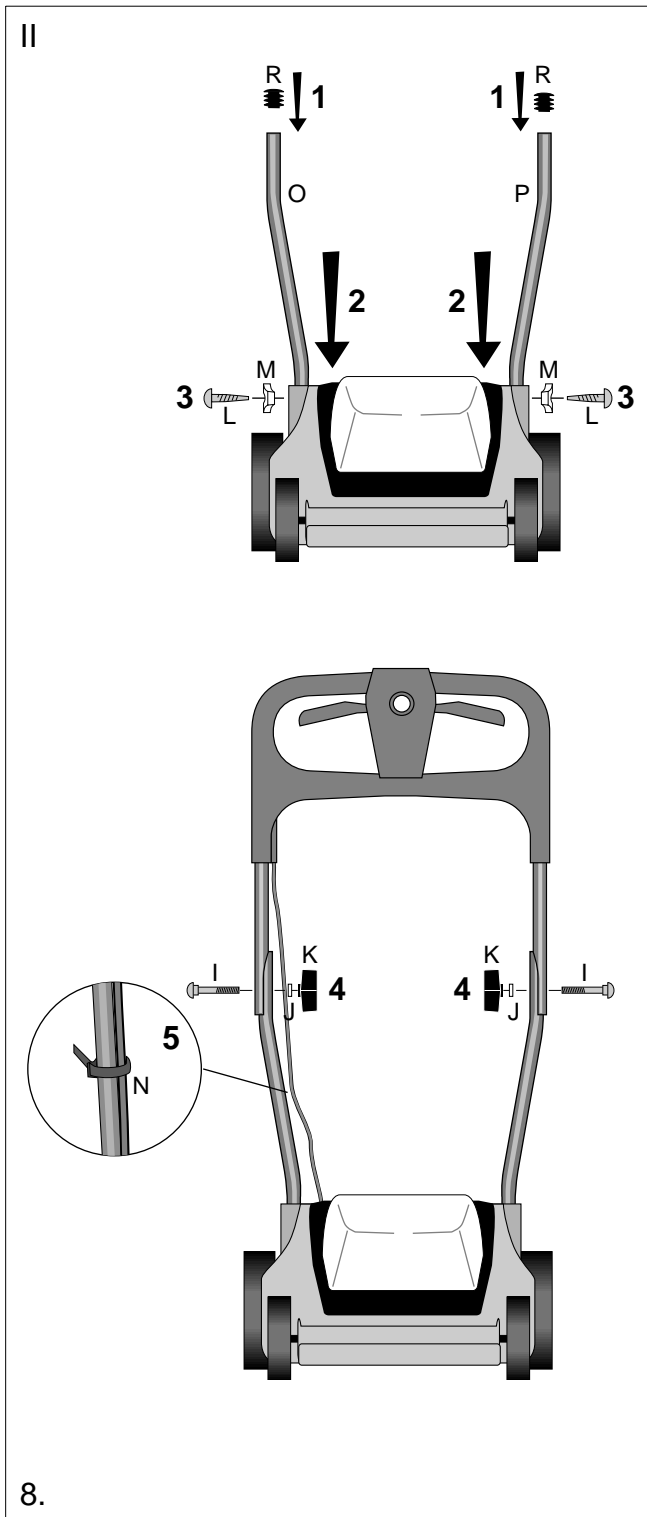


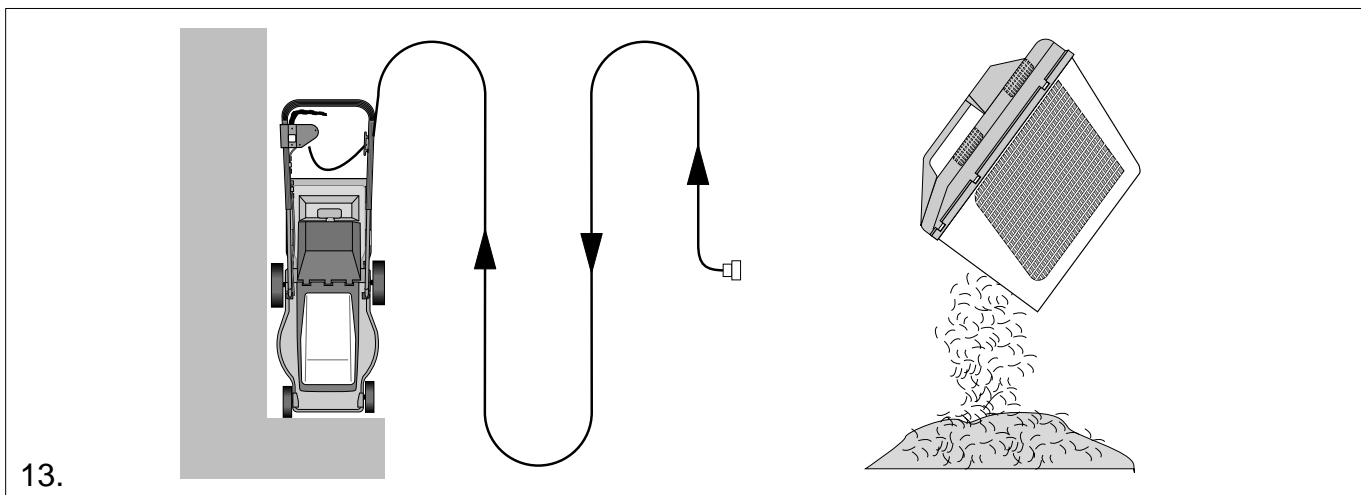
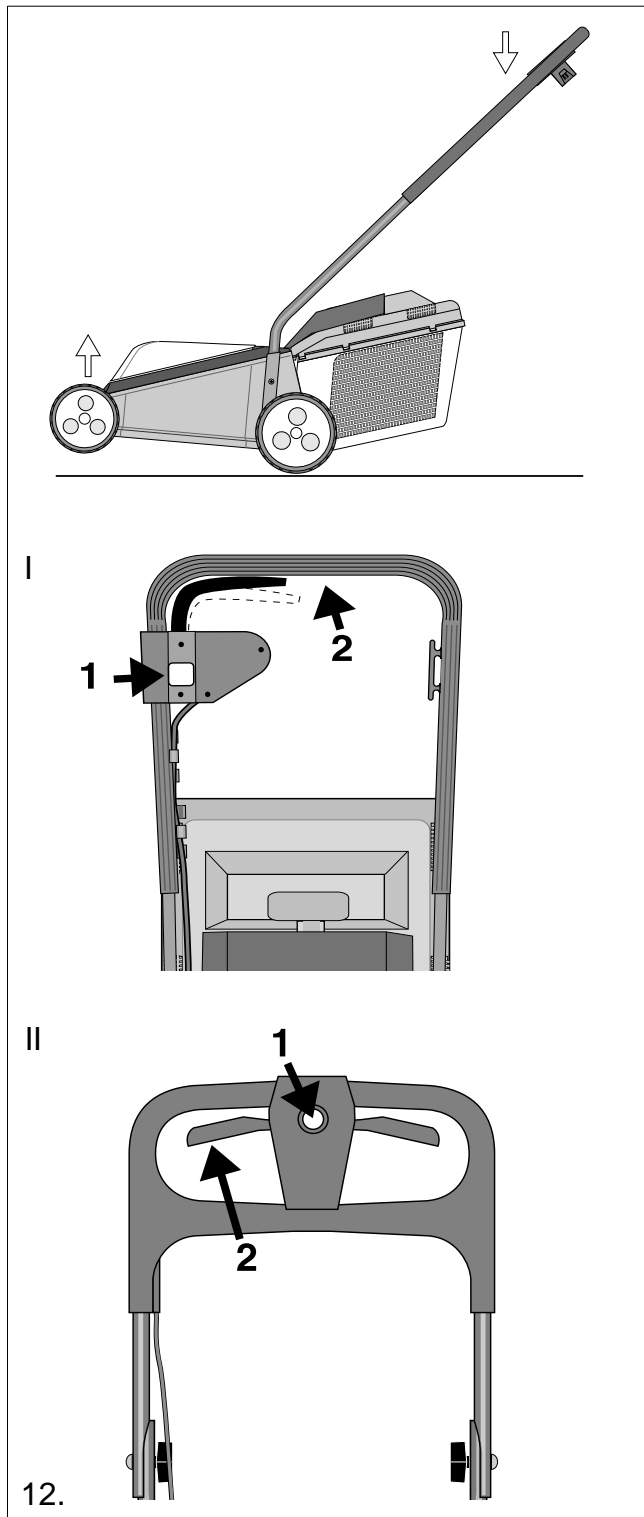
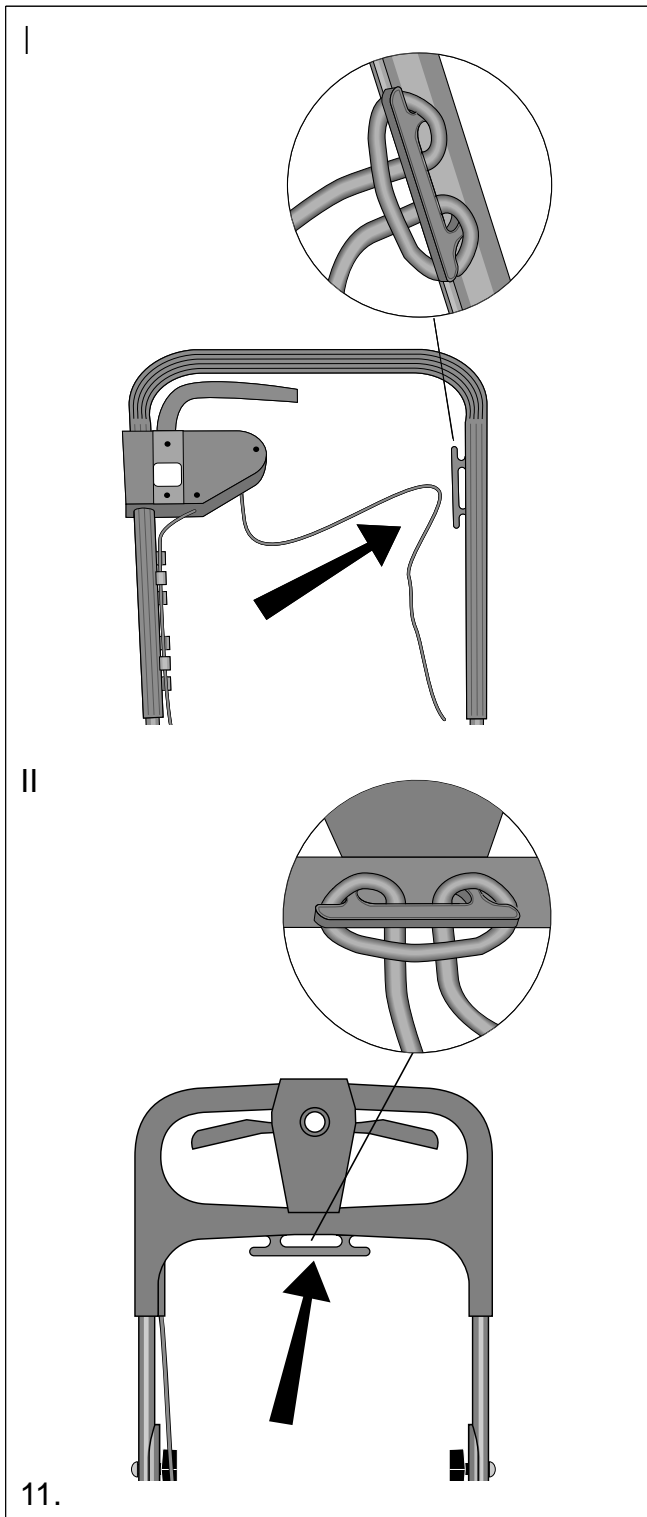
Silent 40 EI

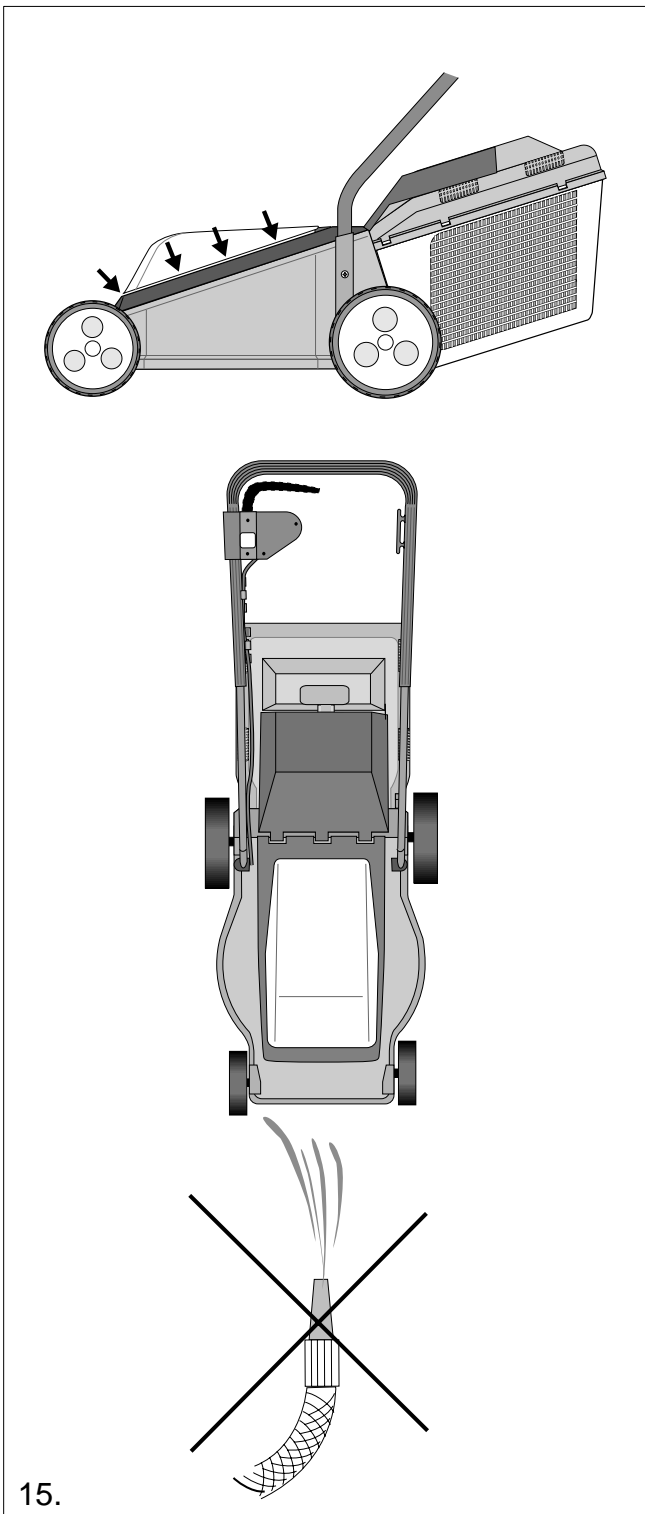
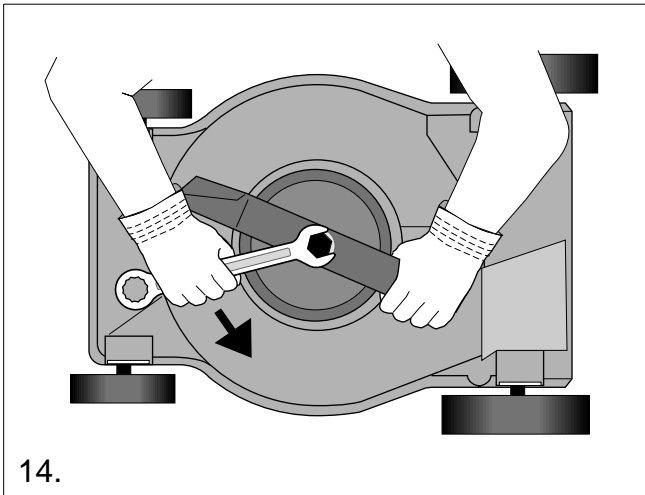
8211-3427-04











SYMBOLS

The following symbols are displayed on the machine in order to remind you about the safety precautions and attention necessary when using the machine.

The symbols mean:



Warning! Read the Instruction Book and Safety Manual before using the machine.



Warning! Keep spectators away. Beware of objects being flung out.



Warning! Before starting any repair work, disconnect the plug from the wall socket.



Warning! Keep the extension cord away from the cutting deck.



Warning! Do not put hands or feet under the cover of the machine when it is running.



Warning! The blades continue to rotate even after the machine has been switched off.



ASSEMBLING

PARTS TO ASSEMBLE

Wheel type I (fig. 1)

Wheel type II (fig. 2)

Steering type I (fig. 3)

Steering type II (fig. 4)

TOOLS FOR ASSEMBLY



WHEELS type I (fig. 5)

1. Fit the bearings F in the wheel.
2. Apply the parts B, (F) and A on the wheel bolt.
3. Snap-on the centre cup C.
4. Fasten the wheel on the mower.
5. Tighten securely by hand using the finger-grip holes in the hub cap.

WHEELS type II (fig. 6)

1. Fit the bearings F in the wheel.
2. Apply the parts B, G, E, (F) and A on the wheel bolt.
3. Snap-on the centre cup C.
4. Fasten the wheel on the mower.
5. Tighten securely by hand using the finger-grip holes in the hub cap.

STEERING type I (fig. 7)

1. Insert the tubes into the ends of the handlebar.
2. Fit the screws. Tighten securely.
3. Insert the ends of the U tube into the holes in the chassis.
4. Fit the screws. Tighten securely.
5. Attach the handle to the U tube using the bolts, washers and locking knobs provided. The handlebar can be folded forwards by undoing the locking knobs slightly. This reduces the space the mower takes up during transport, etc.
6. Secure the electrical cable into the cable holder.
7. Fix the electrical cable using a cable tie.

STEERING type II (fig. 8)

1. Press the plugs into the steering sockets. Ensure that the plugs are inserted in the correct end.
2. Press the steering sockets into the holes in the chassis.
3. Fit the screws. Tighten securely.
4. Attach the handlebar to the steering sockets using screws, washers and locking knobs. The handlebar can be tilted forward by loosening the locking knobs slightly. The mower will then take up less space during transportation.
5. Fix the electrical cable using a cable tie.

GRASS COLLECTOR (fig. 9)

Fabric collector bin: Pull the fabric collector bag over the steel frame and snap the bag on the plastic cover.

Plastic collector bin: Snap the two halves together and then the upper part.

Open the cover on the machine and hook the grass collector onto the chassis.

Note! The lawn mower can be used without the grass collector. The grass will then collect in a bead behind the machine.

USING THE MOWER

CUTTING HEIGHT (fig. 10)

Depending on the model, the cutting height is adjusted as follows:

- I. Fasten the wheels in one of the four possible positions.
- II. Set the height adjustment lever to the desired position.

Note! The same cutting height should be set on all four wheels.

CONNECTION (fig. 11)

Only use an extension cable approved for outdoor use. If uncertain please contact your dealer.

To increase safety the lawn mower should be connected to an earth-fault breaker.

Support the extension cable in the cable support on the steering.

START/STOP (fig. 12)

Start the mower on flat, solid ground. Do not start in long grass. Press on the steering so that the front wheels lift slightly from the ground to reduce grass resistance.

Starting the motor:

1. Press the button
2. Pull the handle towards the steering.

Stopping the motor: Release the handle.

CUTTING (fig. 13)

Always cut away from the cable.

Empty the grass collector in good time so that the grass deflector does not get blocked and reduce grass collection capacity.

To avoid overloading the motor, do not push the mower too quickly in long grass.

MAINTENANCE

CHANGING BLADES (fig. 14)



Always pull out the plug before carrying out maintenance, cleaning or other actions on the machine.

Wear protective gloves. Loosen the blade bolts using a 26 mm spanner. Fit a new blade. Tightening torque 22 Nm.

Always use genuine spare parts.

CLEANING AND STORAGE (fig. 15)

Always wipe or brush off the mower after use.

The cold air intake around the motor casing should always be kept free from grass and dirt so that the motor does not overheat.

The underside of the chassis can be scraped clean. Never rinse with water.

The mower should be stored in the dry.

Free Manuals Download Website

<http://myh66.com>

<http://usermanuals.us>

<http://www.somanuals.com>

<http://www.4manuals.cc>

<http://www.manual-lib.com>

<http://www.404manual.com>

<http://www.luxmanual.com>

<http://aubethermostatmanual.com>

Golf course search by state

<http://golfingnear.com>

Email search by domain

<http://emailbydomain.com>

Auto manuals search

<http://auto.somanuals.com>

TV manuals search

<http://tv.somanuals.com>