

BRUKSANVISNING SV ....	6
KÄYTTÖOHJEET FI ...	10
BRUGSANVISNING DA..	14
BRUKSANVISNING NO.	17
GEBRAUCHSANWEISUNG DE...	22
INSTRUCTIONS FOR USE EN...	26
MODE D'EMPLOI FR....	30
GEbruikSAANWIJZING NL...	34
ISTRUZIONI PER L'USO IT.....	38
INSTRUCCIONES DE USO ES ....	42
INSTRUKCJA OBSŁUGI PL....	46
NÁVOD K POUŽITÍ CZ..	50
NAVODILA ZA UPORABO SL....	54

**STIGA**  
**RECYCLING**








VE32

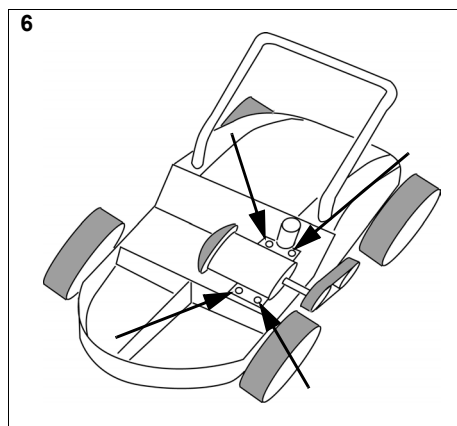
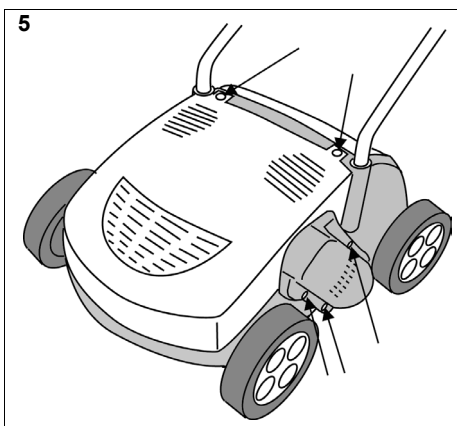
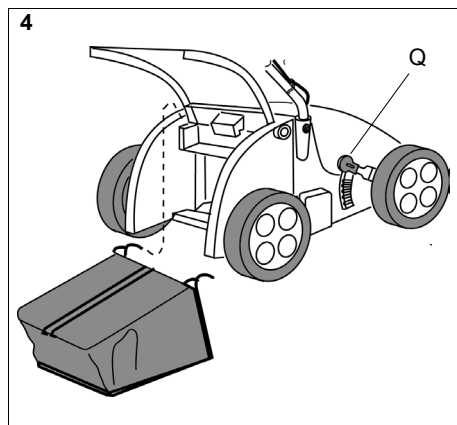
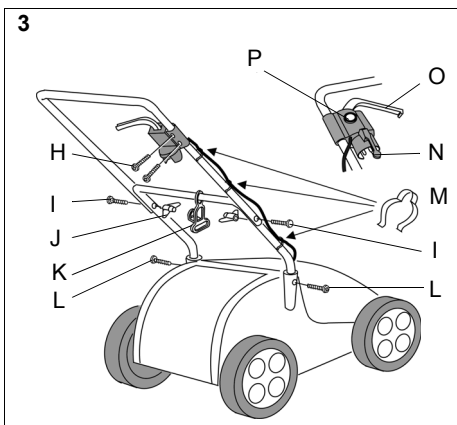
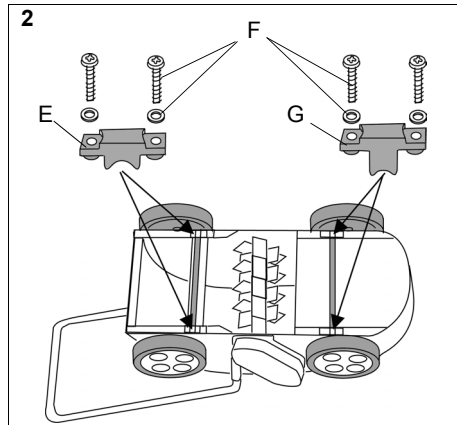
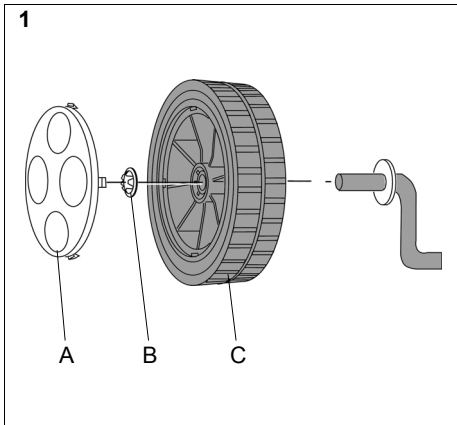
**STIGA®**

**8211-2500-02**

<b>SV</b>	Läs noga samtliga instruktio- ner.	Varning! Håll åskådare borta. Se upp med utkastade föremål.	Varning! För ej in hand eller fot underkåpan då maskinen är igång. Knivarna fortsätter att rotera efter det att maskinen stängts av.	Håll anslutningskabeln borta från knivarna!	Drag ur stickkontakten innan någon typ av underhåll utförs.	Förlängningskabeln får aldrig köras över. Risk för livsfarliga elektriska stötar.	Använd skyddshandskar, skyddsglasögon och hörselskydd.
<b>FI</b>	Lue käyttöohje huolellisesti.	Varoitus! Pidä sivulliset kaukana. Varo sinkoutuvia esineitä.	Varoitus! Älä työnnä kättä tai jalkaa kotelon alle koneen käydessä. Terät pyörivät vielä koneen pysäyttämisen jälkeen.	Pidä verkkojohto kaukana teristä!	Irrota pistoke pistorasista aina ennen huoltotöitä.	Varo ajamasta jatkokaapelin yli. Sähköiskun vaara.	Käytä suojakäsineitä, suojalaseja ja kuulonsuojaimia.
<b>DA</b>	Læs brugsanvisningen omhyggeligt igennem.	Advarsel! Hold uvedkommende væk. Pas på udkastede genstande.	Advarsel! Sæt ikke hænder eller fødder ind under skjoldet, når maskinen er i gang. Knivene fortsætter med at rotere, efter at maskinen er slået fra.	Hold tilslutningskablet væk fra knivene!	Træk stikket ud, før der udføres nogen form for vedligeholdelse.	Forlængerledningen må aldrig blive kørt over. Risiko for livsfarlig elektrisk stød.	Brug beskyttelseshandsker, beskyttelsesbriller og høreværn.
<b>NO</b>	Les bruksanvisningen nøye.	Advarsel! Hold borte tilskuere. Se opp for utkastede gjenstander.	Advarsel! Før aldri inn hånd eller fot under dekslet mens maskinen er igang. Knivene fortsetter å rotere etter at maskinen er slått av.	Hold tilkoblingskabelen unna knivene!	Trekk alltid støpselet ut av kontakten før det utføres vedlikeholdsarbeid på maskinen.	Kjør aldri over skjøteledningen. Fare for livsfarlig elektrisk støt.	Bruk vernehandsker, vernebriller og hørselvern.
<b>DE</b>	Anweisungen sorgfältig durchlesen.	Warnung! Zuschauer fernhalten. Auf herausgeschleuderte Gegenstände achten.	Warnung! Wenn die Maschine in Betrieb ist dürfen weder Hände noch Füße unter die Haube gelangen. Die Messer rotieren nach Ausschalten des Mähers weiter.	Halten Sie das Stromkabel von den Messern fern!	Vor Beginn jeglicher Reparaturarbeiten den Stecker aus der Steckdose ziehen.	Niemals über das Verlängerungskabel fahren! Gefahr durch lebensgefährliche Stromschläge.	Stets Schutzhandschuhe, Schutzbrille und Gehörschutz tragen.

<b>FR</b>	Lire le mode d'emploi attentivement.	Attention! Veillez à ce que personne ne se trouve à proximité de la machine. Danger de projection d'objets.	Attention! N'introduisez ni la main ni le pied sous le capot lorsque la machine est en marche. Les couteaux continuent à tourner après l'arrêt de la machine.	Garder le câble d'alimentation hors de portée des fléaux !	Débrancher la machine avant de procéder à l'entretien.	Ne jamais rouler sur le câble d'alimentation ou la rallonge. Danger de mort par électrocution.	Porter des gants de travail, des lunettes protectrices et une protection d'oreilles.
<b>NL</b>	Lees deze gebruiksaanwijzing nauwkeurig door.	Waarschuwing! Houd omstanders op afstand. Pas op voor het uitwerpen van voorwerpen.	Waarschuwing! Steek uw hand of voet niet onder de kap als de machine loopt. De messen draaien nog even door nadat de machine is uitgeschakeld.	Houd de kabels uit de buurt van de tanden!	Neem de stekker uit het contact vóór elke vorm van onderhoud.	Rij niet over het verlengsnoer. Kans op levensgevaarlijke elektrische schokken.	Draag beschermende handschoenen, een veiligheidsbril en gehoorbeschermers.
<b>EN</b>	Read these instructions for use carefully.	Warning! Keep spectators away. Beware of objects being flung out.	Warning! Do not put hands or feet under the cover of the machine when it is running. The blades will continue to rotate after the machine has been switched off.	Keep the supply flexible cord away from the tines!	Remove the plug from the wall socket before carrying out any kind of maintenance.	Never run over the extension lead. Risk of fatal electric shocks.	Wear safety gloves, safety goggles and hearing protection.
<b>ES</b>	Leer atentamente las instrucciones de uso.	¡Advertencia! Mantenga los espectadores a distancia. Está atento a los objetos que puedan ser disparados.	¡Advertencia! No introduzca las manos ni los pies debajo de la cubierta mientras la máquina esté en funcionamiento. Las cuchillas siguen girando aún después de parar la máquina.	Mantenga el cable eléctrico alejado de los dientes!	Antes de realizar cualquier tipo de mantenimiento, desenchufar la máquina.	No pase con la máquina por encima del cable prolongador; podría sufrir una descarga eléctrica mortal.	Utilice guantes, gafas y auriculares de protección.

							
<b>IT</b>	Leggere attentamente le istruzioni per l'uso.	Avvertenza! Non lasciare avvicinare nessuno durante il lavoro. Fare attenzione alla proiezione di oggetti.	Avvertenza! Non infilare le mani o i piedi sotto il carter mentre la macchina è in funzione. Le lame continuano a ruotare per un po' di tempo dopo lo spegnimento della macchina.	Tenere il cavo di alimentazione flessibile lontano dai denti!	Scollegare la spina prima di effettuare qualsiasi intervento di manutenzione.	Non passare mai sopra la prolunga. Rischio di folgorazione.	Utilizzare guanti, cuffie ed occhiali protettivi.
<b>CS</b>	Pročtěte si pozorně tyto instrukce.	Pozor! Držte diváky stranou. Pozor na pohozené předměty.	Pozor! Nedávejte ruku ani nohu pod spodní ochranný plášť za chodu sekačky. Nože se otáčejí i po zastavení stroje.	Pružný napájecí kabel udržujte v bezpečné vzdálenosti od hřebů.	Před započetím jakékoliv opravy vytáhněte šňůru ze zásuvky.	Nikdy nepoužívejte prodlužovací kabel. Hrozí nebezpečí smrtelného úrazu elektrickým proudem.	Použijte vždy ochranných rukavic, ochranných brýlí a ochrany sluchu.
<b>PL</b>	Zapoznaj się dokładnie z instrukcjami.	Ostrzeżenie! Osoby postronne nie powinny znajdować się w pobliżu. Należy uważać na przedmioty wyrzucane spod kosiarki.	Ostrzeżenie! Nie wolno wkładać ręki pod dolną osłonę, gdy maszyna jest włączona. Noże obracają się jeszcze przez pewien czas po wyłączeniu maszyny.	Elastyczny przewód zasilający powinien znajdować się z dala od noy!	Przed przystąpieniem do jakichkolwiek czynności naprawczych wyłącz wtyczkę z kontaktu.	Nigdy nie należy przejeżdżać po przedłużaczu. Ryzyko śmiertelnego porażenia prądem.	Używaj zawsze rękawic ochronnych, okularów ochronnych i ochronnikó w sluchu.
<b>SL</b>	Natančno preberite vsa navodila.	Opozorilo! Odstranite opazovalce. Bodite pozorni na predmete, ki jih stroj izvrže.	Opozorilo! Ne vtikajte rok in nog pod ohišje, kadar stroj deluje. Noži se vrtijo še nekaj časa po tem, ko ste ugasnili motor.	Pazite, da napajalni kabel ne pride v stik z zobmi rezila.	Potegnite vtič iz vtičnice pred vsakim vzdrževalnim delom.	Nikoli ne peljite stroja čez priključni kabel. Smrtna nevarnost – udar električnega toka.	Uporabljajte zaščitne rokavice in očala ter zaščitne slušalke.



## 1 SAFETY INSTRUCTIONS

### 1.1 General rules

Due to the risk to the user's safety, the machine must not be used:

- As a motorised hoe.
- For levelling uneven surfaces such as piles of soil.
- By children or people who are not familiar with the machine and its operation.
- By children under 16 years of age.
- On wet surfaces. Only use the machine on dry grass.
- In the dark. Only work in daylight or equivalent artificial lighting.
- If the cords are damaged or worn.
  - A damaged cord can cause contact with live parts.
  - Keep extension cords away from the rotating tool. The rotating tool can cause damage to the cords and lead to contact with live parts

### 1.2 Before using the machine

Always wear suitable clothing; never wear loose clothing that could catch in the rotating tool. Wear suitable safety shoes, safety goggles and protective gloves. Always wear long trousers to protect your legs.

Install the splash guard and collecting equipment in accordance with the enclosed installation instructions. Check that they are securely attached. The machine may not be operated without this equipment or with damaged equipment. Before using the machine, remove all foreign objects from the lawn, such as stones, sticks or bones.

Check the following:

- a) That all the machine's parts are properly secured.
  - b) Check for any damage or heavy wear and tear on machine components. When replacing parts, refer to the installation instructions. Examine connections and cables routed on the outside of the machine for wear and tear and durability. Only use the machine when no damage can be found. Repairs to cables may only be carried out by qualified engineers.
- Never operate the machine while people, especially children, or pets are nearby.
  - Keep in mind that the operator or user is responsible for accidents or hazards occurring to other people or their property.
  - Wear ear protection and safety glasses at all time operating the machine.

- Thoroughly inspect the area where the machine shall be used. Remove all stones, sticks, wires, bones and other foreign objects.
- Check the supply cord before using the equipment. If the rubber enclosure of the supply cord is broken or if any metal conductor is exposed, replace the supply cord immediately to avoid electrical chocks.
- Before using, always visually inspect the tines and bolts for wear and damage. Replace worn or damaged tines and bolts in sets to preserve balance.

Regularly check for wear and tear on the grassbox. Before adjusting or cleaning the tool, disconnect the plug from the power supply and check for wear on the connection cable and the switch.

### 1.3 Cables

Use safety cables. Only cables that are not lighter than rubber cable H07 RN-F with a minimum diameter of 3x1.5 mm<sup>2</sup> may be used.

The cable must be able to withstand water and outdoor climates, and must be connected via an earth leakage circuit breaker.

Use a leakage protection system (RCD) with a leakage current of not more than 30 mA.

Connect the cable to a relieving loop. Check that it does not rub against sharp edges or sharp objects. Do not squeeze the cable between door or window gaps. The earth leakage circuit breaker must not be removed or bridged.

Disconnect the power supply by pulling the plug out of the socket in the following cases:

- When leaving the machine unintended.
- Before removing of foreign, blocking objects.
- Before inspection, cleaning or other measures of the machine.
- Before clearing a blockage.
- When the machine starts vibrating abnormally.

### 1.4 Starting up

Only start the motor when you are a safe distance from the rotating tool. When tilting the machine, follow strict the advises below:

- Keep both hands on the handlebar.
- The machine shall be between you and the rotating tool.
- No human being or pets are nearby.

## 1.5 During operation

**WARNING!** The rotating tool is hot.

Pay attention to the safety distance specified in the safety regulations.

Only start the motor when your feet are a safe distance from the rotating tool.

Always make sure you have a safe footing, especially on slopes. Never run, always walk slowly.

Never use the machine on steep slopes.

Hold the cable away from the rotating tool when you are operating the machine.

Always move the machine sideways along the slope, never up and down.

Switch off the machine when tilting or transporting.

Never use the machine in the absence of protective equipment or a protective cover.

Before lifting or moving the machine, switch off the motor and wait until the rotating tool has come to a complete standstill.

Before removing the grassbox or adjusting the operating height, switch off the motor and wait until the rotating tool has come to a complete standstill.

Replace worn or damaged blades as a complete set. See the installation instructions. Always use genuine spare parts. Cleaning and maintenance of the machine may only be performed when the machine's power supply is completely switched off.

Never store the machine in damp environments or close to an open flame.

If the machine has run over a hard foreign object, it must be examined by a specialist for safety reasons (see list of dealers).

If the connection cable has been damaged during use, it must immediately be disconnected from the power supply. Do not touch the cable until the power has been disconnected.

## 2 GENERAL



This symbol indicates **WARNING**. Personal injury and/or damage to property may result if the instructions are not followed carefully.



Before commencing installation, carefully read these instructions and safety instructions.

### 2.1 References

The figures in these instructions for use are numbered 1, 2, 3, etc.

Components shown in the figures are marked A, B, C, etc.

A reference to component C in figure 2 is written "2:C".

## 3 ASSEMBLY



**To avoid injuries and damage to property, do not use the machine until all the measures in these instructions have been carried out.**

### 3.1 Wheels

Install the four wheels on the wheel axles in accordance with fig. 1. Use the components below:

- Wheel 1:C.
- Locking washer 1:B.
- Wheel cap 1:A.

Install the rear wheel axle on the underside of the machine in accordance with fig. 2. The angled ends of the axle must fit into the slots in the side of the machine. Use the components below:

- 2 locking loops 2:E (the smaller size).
- 4 screws with washers 2:F.

Install the front wheel axle on the underside of the machine in accordance with fig. 2. The axle's height adjustment lever must fit into its locking device on the right side of the machine. Use the components below:

- 2 locking loops 2:G (the larger size).
- 4 screws with washers 2:F.

### 3.2 Handle

#### 3.2.1 The handle's lower section

1. Install the cable holder 3:K on the handle's lower section.
2. Press the handle's lower section down into the machine.
3. Lock the handle into position with the two screws 3:L.

#### 3.2.2 The handle's upper section

Install the handle's upper section into its lower section in accordance with fig. 3. Use the two screws 3:I and the wing nuts 3:J.

### 3.3 Start control

Install the start control on the handle's upper section in accordance with fig. 3. Use the two screws 3:H.

Secure the cable to the handle with the three clamps 3:M.

### 3.4 Collector

Open the hatch and install the collector. Insert the collector's hooks into the slots in the upper part of the opening. See fig. 4.

## 4 DESCRIPTION

### 4.1 Controls

#### 4.1.1 Electric socket and relieving loop



The machine must be connected via an earth leakage circuit breaker with fault current 30 mA. There is otherwise a risk of fatal electric shocks.

The connection cable is connected to the machine's electric socket (3:N). The cable must then be secured in the relieving loop (3:K) before it leaves the machine.

#### 4.1.2 Start and stop control

##### Start:

1. Tilt the machine until the front wheels rise about 5 cm from the ground.
2. Press in and hold the button (3:P).
3. Squeeze the handle (3:O).
4. Release the button (3:P).
5. Let the front wheels down.

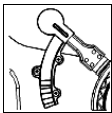
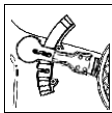
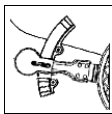
##### Stop:

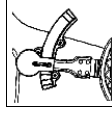
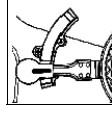
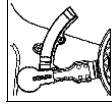
1. Release the handle (3:O).

#### 4.1.3 Height adjustment

The spiral cutter can be set to 6 different height positions according to the table below. Change position as follows:

1. Pull out the lever (4:Q).
2. Set the lever to the desired position.
3. Release the lever so that it locks in the new position.

Spiral cutter's position	Lever's position
Transport position. 13 mm above the ground.	
Cleaning position A. 3 mm above the ground.	
Cleaning position B. At ground level.	

Cuts 3 mm down into the lawn.	
Cuts 6 mm down into the lawn.	
Cuts 10 mm down into the lawn.	

## 5 USING THE MACHINE



The machine must be connected via an earth leakage circuit breaker with fault current 30 mA. There is otherwise a risk of fatal electric shocks.



Never run over the extension lead. Risk of fatal electric shocks.

### 5.1 Vertical cutting

Making vertical cuts in the lawn achieves the following benefits:

- The air can penetrate down into the soil layer, making it easier for moisture to evaporate. This counteracts the growth of moss.
- Loose moss can be scarified and gathered in the collector.
- The grass roots are divided, so increasing in number. This produces a denser lawn with more blades of grass.

### 5.2 Before use

When performing vertical cutting, the grass must be as short as possible, ideally not more than 4 cm long. Vertical cutting can be carried out with or without a collector. If the collector is not used, the waste will be dropped and distributed evenly behind the machine.



### 5.3 During use

Connect the machine using an extension lead to a 230 VAC electric socket. See "4.1.1 Electric socket and relieving loop". The electric socket must have a 10 A fuse.

Set the desired cutting depth and start the machine. Start working on the lawn as close to the mains electric socket as possible in order to minimise the risk of running over the cable. The cable must not be run over under any circumstances.

Never stretch the cable; it should remain in a loose loop at the side of the machine.

### 5.4 After use



**The machine must not be rinsed with water. This will damage the machine's electrical components and can produce fatal electric shocks.**

Stop the machine and disconnect the connection cable.

Clean the machine with a soft brush and a moist cloth.

Store the machine in a cool, dry location.

## 6 MAINTENANCE



The machine must always be disconnected from power when carrying out maintenance or repairs. Risk of crushing injuries and fatal electric shocks.

### 6.1 Regular maintenance

The machine requires no regular maintenance other than cleaning, as described above.

### 6.2 Adjusting drive belt

1. Remove the belt cover and the motor casing by unscrewing the 5 screws in fig. 5.
2. Remove the inner motor casing.
3. Undo the motor's adjustment screws. See fig. 6.
4. Push the motor forwards until the belt is correctly tensioned. Check that the engine is tensioned equally on both sides.
5. Tighten the motor's adjustment screws.
6. Reassemble the casings and covers. See fig. 5.

## 7 RECYCLING

### Waste management in accordance with the WEEE Directive (2002/96/EC)



Take care of the environment!  
Do not discard with household waste!

This product contains electrical and electronic components that must be recycled.

Hand the product in for recycling at the indicated location, e.g. the municipal recycling station.

EG-försäkran om överensstämmelse  
 EY-vaatimustenmukaisuusvakuutus  
 EU-overensstemmelseserklæring  
 EU-forsikring om overensstemmelse  
 EG-Konformitätsbescheinigung

EC conformity declaration  
 Déclaration de conformité CE  
 EU-gelijkvormigheidsverklaring  
 Dichiarazione di conformità CE  
 Declaración de conformidad CE

Deklaracija zgodnosti EC  
 Deklarace shody s EU  
 Izjava ES o skladnosti

1. Kategori Luokka Kategori Kategori Kategorie Category Categorie Categorie Categoría Categoría Kategoria Kategorie Kategorija		Elektrisk vertikalkärare Sähkötoiminen ilmaaja Elektrisk vertikalkærer Elektrisk vertikalkutter Elektrischer Vertikutierer Electric scarifier Scarificateur électrique. Elektrische verticutermachine Scarificatore elettrico Escarificador eléctrico Skaryfikator elektryczny Elektrický rozrývač Navpično na elektricni pogon		8. Fabrikat Valmiste Fabrikat Fabrikat Fabrikat	Make Marque Fabricage Marca	Marka Značka Znamka	STIGA
2. Typ Tyyppi Type Type Type Typ		Type Type Type Tipo Tipo	Typ Typ Tip	VE601		10. Serienr Valmistenumero Serienr. Serienr. Seriennummer Serial number Numéro de série Seriennummer Numero di serie Número de serie Numer seryjny Číslo série Serijnska številka	
3. Art.nr. Tuotenumero Art.nr. Art.nr. Art.-Nr.		Item no N° d'article Itemnr. Articolo n. N° de	referencia Pozycja nr Číslo položky Izdelek, št.	26-2511		11. Motor / Moottori / Motor / Motor / Motor / Engine / Moteur / Motor / Motore / Motor / Silnik / Motor / Motor	
4. Tillverkare Valmistaja Producent Producent Hersteller		Manufacturer Fabricant Fabricant Produttore Fabricante	Producent Výrobce Proizvajalec	GGP Sweden AB P.O. Box 1006 SE-573 28 Tranås Sweden		LEO	
6A. Garanterad ljudeffektivnivå Taattu äänitehotaso Garanteret lydeffektivniveau Garantierter lydeffektivnivå Garantierter Geräuschpegel Guaranteed sound power level Niveau de puissance acoustique garanti Gegarandeerd geluidsniveau Livello di potenza sonora garantizado Nivel de potencia de sonido garantizado Nieprzekraczalny poziom hałasu Zaručená úroveň hluku Zajamčena raven zvočne jakosti		(LWA)		87 dB(A)		6B. Uppmätt ljudeffektivnivå Mittattu äänitehotaso Målt lydeffektivniveau Målt lydeffektivnivå Gemessener geräuschpegel Measured sound power level Niveau de puissance acoustique mesuré Gemeten geluidsniveau Livello di potenza sonora misurato Nivel de potencia de sonido medido Nieprzekraczalny poziom hałasu Namēnā raven hluku Izmerjena raven zvočne jakosti	
						6C. Uppmätt ljudtrycksnivå Measured sound pressure level	
						77 dB(A)	

EG-försäkran om överensstämmelse  
EY-vaatimustenmukaisuusvakuutus  
EU-överensstemmelseserklæring  
EU-forsikring om overensstemmelse  
EG-Konformitätsbescheinigung

EC conformity declaration  
Déclaration de conformité CE  
EU-geljkvormigheidsverklaring  
Dichiarazione di conformità  
Declaración de conformidad CE

Deklaracija zgodnosti EC  
Deklarace shody s EU  
Izjava ES o skladnosti

Denna produkt är i överensstämmelse med  
- lågspanningsdirektiv 73/23/EEG  
- direktiv 89/336/EEG om elektromagnetisk kompatibilitet  
- maskindirektiv 98/37/EEG med särskilda hänvisningar till direktivets bilaga 1 om väsentliga hälso- och säkerhetskrav i samband med tillverkning  
- ljuddirektiv 2000/14/EG  
Maskinen är utvecklad och tillverkad enligt följande standarder:  
- EN 60335-1:2002+A1+A11, EN 60335-2-92, EN 13684, EN ISO 3744, ISO 11094

Tämä tuote täyttää seuraavien direktiivien vaatimukset  
- matalajännitedirektiivi 73/23/ETY  
- sähkömagneettista yhteensopivuutta koskeva direktiivi 89/336/ETY  
- koneidirektiivi 98/37/ETY viitaten erityisesti direktiivin liitteeseen 1, joka käsittelee olennaisia terveys- ja turvallisuusvaatimuksia valmistuksen yhteydessä  
- meludirektiivi 2000/14/EG  
Tuote on kehitetty ja valmistettu seuraavien normien mukaisesti:  
- EN 60335-1:2002+A1+A11, EN 60335-2-92, EN 13684, EN ISO 3744, ISO 11094

Dette produkt er i overensstemmelse med  
- direktiv 73/23/EØF om lavspændingsudstyr  
- direktiv 89/336/EØF om elektromagnetisk kompatibilitet  
- direktiv 98/37/EØF om indbyrdes tilnærmede af medlemsstaternes lovgivning om maskiner med særlig henvisning til direktivets bilag 1 om væsentlige sikkerheds- og sundhedskrav i forbindelse med konstruktion og fremstilling  
- direktiv 2000/14/EF om støjemission  
Produktet er udviklet og fremstillet i overensstemmelse med følgende normer:  
- EN 60335-1:2002+A1+A11, EN 60335-2-92, EN 13684, EN ISO 3744, ISO 11094

Dette produktet er i overensstemmelse med  
- lavspenningsdirektiv 73/23/EØF  
- direktiv 89/336/EØF om elektromagnetisk kompatibilitet  
- maskindirektiv 98/37/EØF med særskilte henvisninger til direktivets bilag 1 om væsentlige helse- og sikkerhetskrav i forbindelse med produksjon  
- lyd-direktiv 2000/14/EF  
Produktet er utviklet og produsert i overensstemmelse med følgende normer:  
- EN 60335-1:2002+A1+A11, EN 60335-2-92, EN 13684, EN ISO 3744, ISO 11094

Dieses Produkt ist in Übereinstimmung mit  
- Niederspannungsdirektive 73/23/EEG  
- Direktive 89/336/EEG zur elektromagnetischen Kompatibilität  
- Maschinendirektive 98/37/EEG mit besonderem Hinweis auf Anlage 1 der Direktive über wichtige Gesundheits- und Sicherheitsanforderungen im Zusammenhang mit der Herstellung  
- Schallschutzdirektive 2000/14/EG  
Das Erzeugnis ist in Übereinstimmung mit folgenden Normen entwickelt und gefertigt worden:  
- EN 60335-1:2002+A1+A11, EN 60335-2-92, EN 13684, EN ISO 3744, ISO 11094

This product conforms to  
- Low Voltage Directive 73/23/EEC  
- Electromagnetic Compatibility Directive 89/336/EEC  
- Machinery Directive 98/37/EEC with special reference to appendix 1 of the directive regarding essential health and safety requirements in conjunction with manufacturing  
- Noise Emission Directive 2000/14/EC  
This product has been developed and manufactured in conformance with the following standards:  
- EN 60335-1:2002+A1+A11, EN 60335-2-92, EN 13684, EN ISO 3744, ISO 11094

Ce produit est conforme à  
- La Directive basse tension 73/23/EEC  
- La Directive compatibilité électromagnétique 89/336/EEC  
- La Directive machines 98/37/EEC, avec une référence particulière à l'annexe 1 de la directive concernant les exigences essentielles en matière de santé et de sécurité dans le cadre de la fabrication  
- La Directive émissions de bruit 2000/14/EC  
Le produit en question a été mis au point et fabriqué conformément aux normes suivantes:  
- EN 60335-1:2002+A1+A11, EN 60335-2-92, EN 13684, EN ISO 3744, ISO 11094

Dit product voldoet aan  
- Richtlijn voor laagspanning 73/23/EE  
- Richtlijn voor elektromagnetische compatibiliteit 89/336/EEC  
- Richtlijn voor machines 98/37/EEC met speciale verwijzing naar aanhangsel I van de richtlijn voor essentiële gezondheids-en veiligheidsvereisten i.v.m. fabricage  
- Richtlijn voor geluidsproductie 2000/14/EC  
Het product is in overeenstemming met volgende normen ontwikkeld en vervaardigd:  
- EN 60335-1:2002+A1+A11, EN 60335-2-92, EN 13684, EN ISO 3744, ISO 11094

Questo prodotto è conforme alla  
- Direttiva sulla bassa tensione 73/23/EEC  
- Direttiva sulla compatibilità elettromagnetica 89/336/EEC  
- Direttiva Macchine 98/37/EEC con particolare riferimento all'appendice 1 della direttiva riguardante i requisiti essenziali in materia di salute e sicurezza relativi alla fabbricazione  
- Direttiva sulle emissioni sonore 2000/14/EC  
Riferimento alle norme armonizzate:  
- EN 60335-1:2002+A1+A11, EN 60335-2-92, EN 13684, EN ISO 3744, ISO 11094

Este producto respeta las siguientes normas:  
- Directiva 73/23/CEE sobre baja tensión  
- Directiva 89/336/CEE sobre compatibilidad electromagnética  
- Directiva 98/37/CEE sobre máquinas, especialmente su anexo 1 sobre los requisitos esenciales de seguridad y de salud relativos a la fabricación de las máquinas  
- Directiva 2000/14/CE relativa a las emisiones sonoras  
Referente a standards armonizados:  
- EN 60335-1:2002+A1+A11, EN 60335-2-92, EN 13684, EN ISO 3744, ISO 11094

Ten produkt odpowiada następującym normom:  
- Niskonapięciowe wyroby elektryczne - dyrektywa 73/23/EEC  
- Kompatybilność elektromagnetyczna - dyrektywa 89/336/EEC  
- Maszyny - dyrektywa 98/37/EEC, a szczególnie dodatkami 1 dyrektywy, dotyczącym podstawowych wymogów w zakresie zdrowia i bezpieczeństwa w związku z produkcją  
- Emisja hałasu - dyrektywa 2000/14/EC  
W odniesieniu do norm harmonizujących:  
- EN 60335-1:2002+A1+A11, EN 60335-2-92, EN 13684, EN ISO 3744, ISO 11094

Tento výrobek vyhovuje  
- Smernici o nízkém napeti 73/23/EEC  
- Smernici o elektromagnetické kompatibiliti 89/336/EEC  
- Smernici o strojních zarizeních 98/37/EEC se speciálním odkazem na prílohu 1 uvedené smernice týkající se důležitých požadavků na ochranu zdraví a bezpečnost v souvislosti s výrobou  
- Smernici o emisích hluku 2000/14/EC  
Použitá harmonizované normy:  
- EN 60335-1:2002+A1+A11, EN 60335-2-92, EN 13684, EN ISO 3744, ISO 11094

Ta izdelek je v skladu z  
- Direktivo 73/23/EGS o nizki napetosti  
- Direktivo 89/336/EGS o elektromagnetni zdru\_ljivosti  
- Direktivo 98/37/EGS o strojih, s posebnim sklicevanjem na njen Dodatek 1 v zvezi z osnovnimi zdravstvenimi in varnostnimi zahtevami, skupaj s proizvodnjo  
- Direktivo 2000/14/ES o emisijah hrupa  
Hivatkozás a harmonizált szabványokra:  
- EN 60335-1:2002+A1+A11, EN 60335-2-92, EN 13684, EN ISO 3744, ISO 11094

Troels Nielsen  
Certifieringsansvarig  
Sertifioinnista vastaava  
Certificeringsansvarlig  
Sertifiseringsansvarlig  
Für die Zertifizierung verantwortlich  
Certification Manager  
Directeur de Certification  
Certification Manager  
Direttore Certificazione  
Responsable de certification

Kierownik ds. legalizacji  
Vedouci pro certifikaci  
Poslovodja za izdajo  
certifikatov

Utfärdat i Tranås  
Annettu Tranåsissa  
Udfærdiget i Tranås  
Utstedt i Tranås  
Ausgefertigt in Tranås  
Schweden

Issued in Tranås  
Fait à Tranås  
Gepubliceerd in Tranås  
Rilasciata a Tranås  
Emitido en Tranås  
Wydano w Tranås

Vydáno v Tranásu  
Izdano v Tranás  
2006-01-10





[www.stiga.com](http://www.stiga.com)

GGP Sweden AB · Box 1006 · SE-573 28 TRANÅS

## Free Manuals Download Website

<http://myh66.com>

<http://usermanuals.us>

<http://www.somanuals.com>

<http://www.4manuals.cc>

<http://www.manual-lib.com>

<http://www.404manual.com>

<http://www.luxmanual.com>

<http://aubethermostatmanual.com>

Golf course search by state

<http://golfingnear.com>

Email search by domain

<http://emailbydomain.com>

Auto manuals search

<http://auto.somanuals.com>

TV manuals search

<http://tv.somanuals.com>