



# *Electric Stove Range*

## Installation and User Instructions

For use in GB, IE (Great Britain and Eire)



This appliance has been certified for use in countries other than those stated. To install this appliance in these countries, it is essential to obtain the translated instructions and in some cases the appliance will require modification. Contact Gazco for further information.

### IMPORTANT

For use with 230v 50Hz electricity supply only.

Please read these instructions carefully before installation and keep them in a safe place.

They will be needed when maintenance or servicing is required.

**THIS APPLIANCE MUST BE EARTHED**

# CONTENTS

## Covering the following models:

Manhattan Small	E8622 / AN / BS
Manhattan Medium	E8619 / AN / BS
Ashdon Medium	E8613 / B / LG / V
Clarendon Small	E8517
Clarendon Medium	E8612
Clarendon Small Clear	E8517 / B / LG
Clarendon Medium Clear	E8612 / B / LG
Huntingdon	E8503 / B / LG / V
Marlborough Small	E8560
Marlborough Medium	E8610
Stockton Small	E8573
Stockton 5 (Midi)	E8575
Stockton Medium	E8617

KEY TO SUFFIXES			
Anthracite =	AN	Midnight Blue =	B
Stainless Steel =	BS	Ivory =	V
Matt Black =	None	Laurel =	LG

<b>USER INSTRUCTIONS</b>	<b>3</b>	<b>INSTALLATION INSTRUCTIONS</b>	<b>9</b>
How to Use these Instructions	3	<b>Technical Specifications</b>	<b>9</b>
<b>1. Important Information &amp; Health and Safety</b>	<b>3</b>	<b>Site Requirements</b>	<b>9</b>
<b>2. Operating Instructions</b>	<b>3</b>	<b>DIMENSIONS FOR FIRE &amp; OPENING</b>	
<b>3. Maintenance</b>	<b>5</b>	Small Marlborough	9
<b>4. Removing &amp; Replacing Doors</b>	<b>6</b>	Medium Marlborough	10
4.1 Clarendon	6	Small Manhattan	10
Ashdon	6	Medium Manhattan	10
Small or Medium Marlborough	6	Small Clarendon	10
Small or Medium Stockton	6	Medium Clarendon	10
4.2 Stockton 5	6	Ashdon	10
4.3 Huntingdon 30	7	Small Stockton	11
4.4 Small or Medium Steel Manhattan	7	Medium Stockton	11
4.5 F40 Avanti	8	Stockton 5	11
		Huntingdon 30	11
		F40 Avanti	11
		F40 Avanti Midi	11
		F40 Avanti Highline	12
		<b>1. Fitting Stoves</b>	<b>13</b>
		<b>2. Fault Finding</b>	<b>13</b>
		<b>3. How to Wire a Plug</b>	<b>14</b>

# USER INSTRUCTIONS

## 1. IMPORTANT INFORMATION and HEALTH AND SAFETY

**ALL APPLIANCES DESCRIBED IN THESE INSTRUCTIONS ARE HEAVY. SEEK ASSISTANCE FOR UNLOADING OR TO LIFT FOR INSTALLATION.**

- **Remove all packaging and throw away using your local recycling facilities**

To remove the protective packaging and fitting kit from the logs inside a new appliance, choose the instruction corresponding to your model from *Section 4* below.

### How to Use these Instructions

**The contents of Sections 1, 2 and 3 apply to all the models in our Electric Range.**

**The content of Section 4, *Remove and Replace Door*, gives different instruction for each model type.**

- **Select the relevant information for your model**

- 1.1 Do not locate this appliance immediately below a fixed socket outlet.
- 1.2 All the outer-casing of this appliance is considered by the manufacturer to be a working surface which becomes hot when the fire is switched on. You must use a suitable fire guard to protect children the elderly and the infirm.
- 1.3 Do not use this appliance in the immediate surroundings of a bath, shower or swimming pool or any other area where the appliance could come into contact with water or humidity, e.g. bathroom.
- 1.4 **WARNING:** Do not allow the appliance to be covered or let the air inlet/outlet to become obstructed as the appliance may overheat.
- 1.5 This appliance is not suitable for use outside the house. For indoor use only.
- 1.6 Keep the power cord away from hot surfaces and hot conditions. Do not route the power lead in front of the appliance.
- 1.7 This appliance must stand on a clean, level, firm surface. Do not stand the fire on a carpet. Ensure that furniture, curtains etc. are positioned no closer than 1 metre and the fire stands on a surface that can withstand temperatures of 90°C for prolonged periods. Do not allow rugs to be placed within 500mm of the front of the stove.
- 1.8 When the fire has been installed, the position of the plug must be accessible.
- 1.9 Where the electricity supply cable has to pass through a fire place, stone surround etc. ensure suitable rubber bushes are fitted at possible wear points.

- 1.10 If installed in an open fireplace, blank off the chimney to reduce the risk of a back draught which can cause the safety cut-out to operate.
- 1.11 If the electricity supply cable is damaged do not use the appliance until it has been replaced. For safety reasons the replacement has to be carried out by Gazco, a Gazco service agent or a similarly competent electrician.
- 1.12 Do not use this appliance with any kind of timer, programmer or thermal control or other device that will switch the appliance on or off automatically.
- 1.13 The appliance is not intended for use by persons (including children) with reduced physical, sensory or mental capabilities or lack of experience and knowledge, unless they have been given supervision or instruction concerning use of the appliance by a person responsible for their safety. Children should be supervised to ensure that they do not play with the appliance.
- 1.14 Do not operate the appliance if the appliance is damaged.
- 1.15 Repairs of electrical appliances must only be performed by an electrical engineer. Should the appliance fail to operate or in case of any damage, please contact our service centre for repair.

## 2. OPERATING INSTRUCTIONS

### 2.1 GENERAL

Your fire is remote controlled and can be operated by the hand held infra red handset or by the controls on the right-hand side of the appliance.

### 2.2 PREPARATION BEFORE USE

#### Batteries:

- Ensure that the handset battery is new and is inserted correctly
- Dispose of any worn out batteries safely at your recycling centre on replacement

When using the handset:

- Make sure you point it at the front of the appliance.

### 2.3 LOCATION OF POWER SWITCH

The mains power switch is located on the control panel on the lower right-hand side of the stove:

- Switch ON before operating either the Remote control or Manual controls

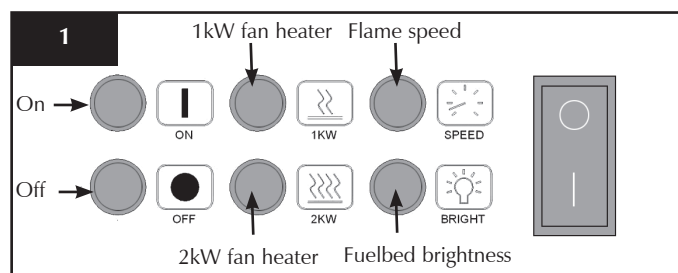
A beep is heard to indicate the fire is ready for use.

# USER INSTRUCTIONS

## 2.4 REMOTE AND MANUAL OPERATION

The controls on the lower right side of the appliance and on the remote perform the same functions. You can use either to operate:

- Standby ON/OFF
- Heat setting 1 and 2
- Brightness of the fuel/flames
- Speed of the flames



Control Panel on lower right side of appliance



Remote handset controls

### Standby ON/OFF


The appliance is in standby mode when the power is switched on at the lower right-hand side. You must have this power supply ON before using the controls or remote, see 2.3.

### To Turn on the Appliance


- Press the ON button to turn on the flame effect at **minimum** brightness and the **minimum** flame speed setting

If using your remote, make sure you point it at the IR sensor above the door.


### Important: Warm-up Period


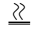
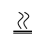

- Press  4 times on either handset or controls to speed up the flame flicker to reach the highest setting. You hear 4 beeps.

Whether or not you adjust the heat or brightness, keep the highest flame speed setting for the first 10 minutes. After 10 minutes you can select the desired speed

- Press  again to return to a lower speed


### To Turn on the Heat

**Note: You must always start operating your heat control by first pressing the 1kW button **

- 1) • Press , 1kW, to turn the fan heater ON. The heater is now operating at half of its maximum heat output
- 2) • Press the 2kW button,  to turn the fan heater to its maximum heat output
- 3) To return to half heat output:
  - Press the 1kW button 
- 4) To turn the fan heater OFF, press either the 1kW  or the 2kW  button.
- 5) Press the OFF button to turn off **ALL** settings and return to Standby


### Brightness of the fuel/flames

There are five settings for brightness allowing you to adjust the intensity of the glow.

- Press the  button to increase the brightness
- Repeat 4 more times until you reach the highest setting
- Press again to return to the lowest

### Speed of the flames

There are five settings allowing you to adjust the speed of the flame effect.

- Press the  button to speed up the flame flicker
- Repeat 4 times until you reach the highest setting
- Press again to return to the lowest

The appliance should be turned off via the ON/OFF switch when the heat or the light effect is not required.

## 2.5 NOTE: LOG EFFECT APPLIANCE

**The appliance has a glass fibre fuel bed which may give off a slight smell when first used. This is normal and should disappear after a day or two.**

# USER INSTRUCTIONS

## 2.6 THERMAL SAFETY CUTOUT

The appliance is fitted with a thermal safety cutout, which operates if it overheats. If this occurs you notice the heater is cold. If this happens:

- Unplug and allow the heater to cool for 5 - 10 minutes
  - Check the air inlets/outlets for any obstruction and clear, see *Maintenance*
  - Plug in, switch on the fire and the cutout now re-sets
- The appliance should function correctly again but if this is not the case:
- Unplug once more and have the fire checked by a competent electrician

**Please note that the safety cutout will activate when the fan heater is turned off. If the fan heater is turned back on immediately, you must wait 15 seconds before the heater warms the air.**

## 3. MAINTENANCE

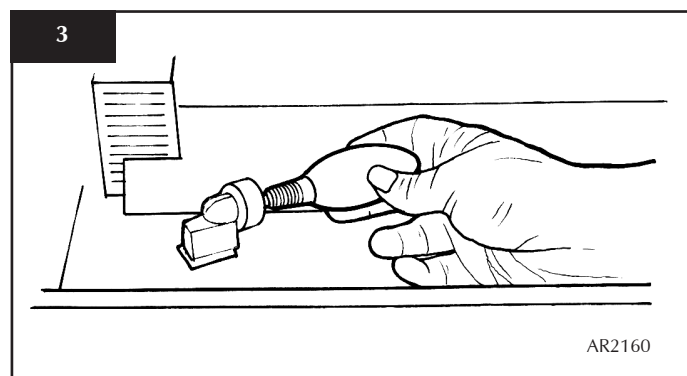
**ALWAYS UNPLUG FROM MAINS SUPPLY BEFORE CLEANING OR UNDERTAKING ANY MAINTENANCE**

### REPLACING LAMPS

- 3.1 If the lamp bulb fails to light you will notice an uneven or unlit fuel effect and you can change the lamp:
- Switch off the appliance and isolate it from the mains by unplugging the unit
  - Wait for at least 10 minutes until the appliance has cooled down
  - Unscrew the bulbs

**Only use fused 40W Elegance Soft E.S. (E14) candle lamps available from Gazco dealers and most electrical shops**

- 3.2 To remove the door, glass front and fuel bed and access the lamps, choose the instruction corresponding to your model from *Section 4* below.



## 3.3 CLEANING

Only clean the outer casing when it is cold. Do not use abrasive cleaners. For painted castings, wipe with a damp cloth and buff with a lint free duster.

## 3.4 CLEANING AIR INLETS

- Ensure the appliance is unplugged
- Clean the air inlet and outlet grills regularly with a soft cloth or the nozzle of a vacuum cleaner

Dust build-up can inhibit efficient performance of the fan and lead to the safety cut-out operating:

- Keep the area around the stove clean and free of fluff, dust or pet hair
- In particular, build-up of dust etc. can occur around the heater area under the stove. Take particular care to keep this area free from such particles on a regular basis to prevent build-up.

## 3.5 CLEANING LOG MOULDING

- Make sure the appliance is unplugged
- Take the log moulding out to clean away from the appliance. Follow *Section 4* below to access log moulding
- Dust off any build-up with a brush or damp cloth - replace

# USER INSTRUCTIONS

## 4. REMOVING & REPLACING DOORS

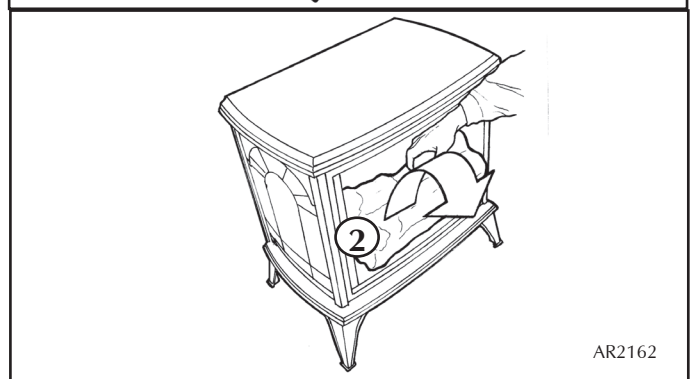
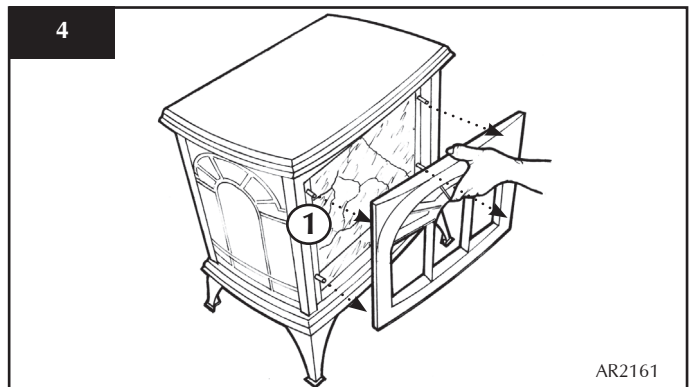
**WARNING: DOOR CASTINGS ARE EXTREMELY HEAVY - SEEK ASSISTANCE BEFORE REMOVAL**

### 4.1 CLARENDON, ASHDON, SMALL OR MEDIUM MARLBOROUGH SMALL OR MEDIUM STOCKTON

1. Remove nuts from door fascia:
  - Hold the door before removing final nut
2. Remove the fuel bed, lifting the back away from the appliance
3. Replace the lamp bulbs, see *Section 3*
4. Replace the fuel bed

**Note: (Take care not to damage the plastic screen when replacing the fuel bed).**

5. Replace the door and secure using nuts

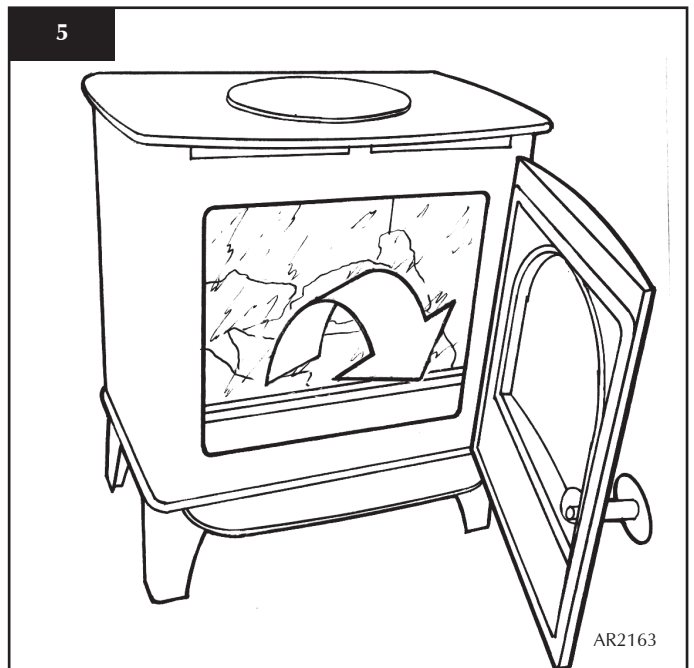


### 4.2. STOCKTON 5

1. Open the door - this can make the appliance heavy at the front. **DO NOT LEAN ON THE OPEN DOOR.**
2. Remove the fuel bed, lifting the back away from the appliance and rotating it up and out to avoid the door lock stop
3. Replace the lamp bulbs, see *Section 3*

**Note: (Take care not to damage the plastic screen when replacing the fuel bed).**

4. Close the door.



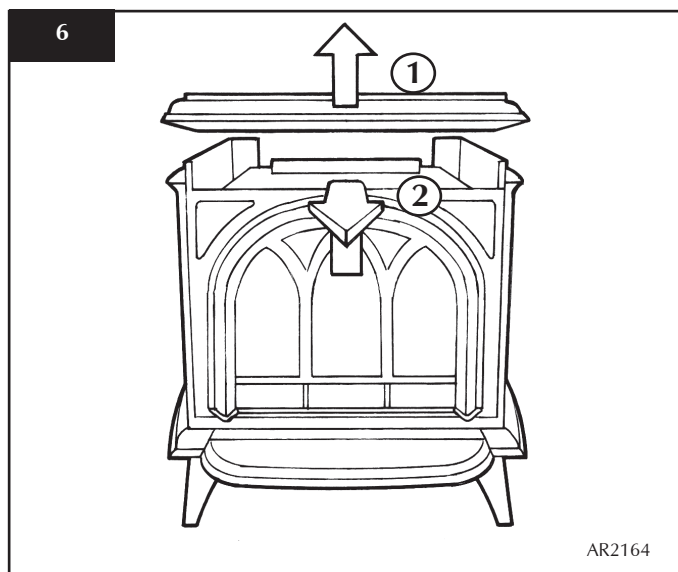
# USER INSTRUCTIONS

## 4.3. HUNTINGDON 30

**WARNING: heavy castings seek assistance lifting**

1. Lift heavy top away from appliance
2. Lift door facia up and out
3. Remove the top clamp holding the glass in place
4. Loosen the base glass clamp
5. Remove the glass
6. Remove the fuel bed, lifting the back away from the appliance
7. Replace the lamp bulbs
8. To assemble, reverse points 1 - 6

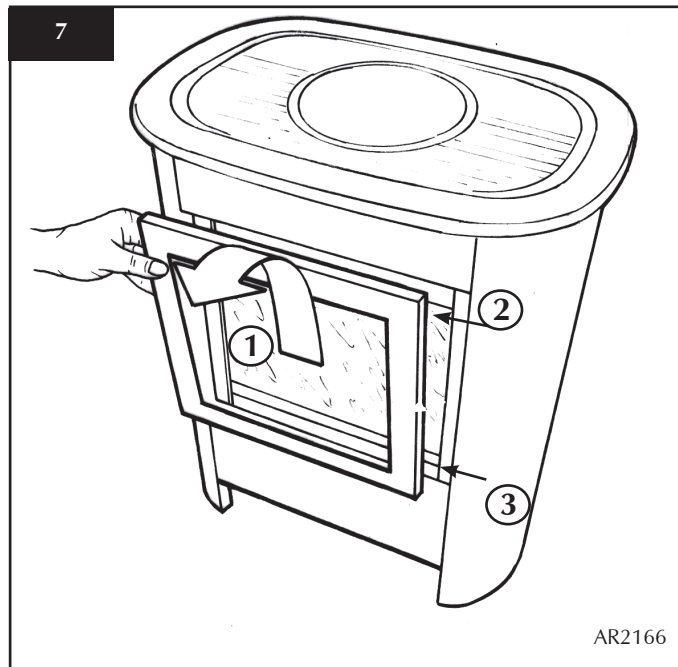
**Note: (Take care not to damage the plastic screen when replacing the fuel bed).**



## 4.4. SMALL OR MEDIUM STEEL MANHANTTAN

1. Lift the door frame up and out
2. Remove the top glass clamp
3. Loosen the base glass clamp
4. Remove the glass
5. Remove the fuel bed, lifting the back away from the appliance
6. Replace the lamp bulbs
7. To assemble, reverse point 1 - 5

**Note: (Take care not to damage the plastic screen when replacing the fuel bed).**

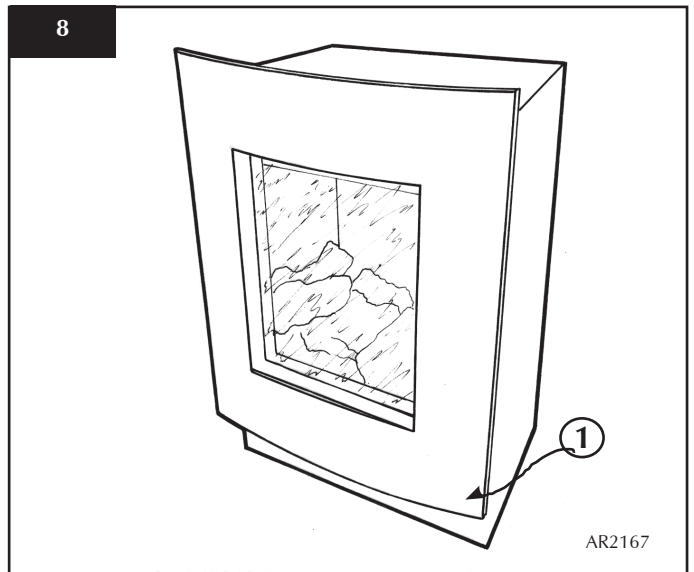


# USER INSTRUCTIONS

## 4.5. F40 AVANTI

1. Push the door at the bottom right to open it. **DO NOT LEAN ON THE OPEN DOOR.**
2. Remove the top glass clamp
3. Loosen the base glass clamp
4. Remove the glass
5. Remove the fuel bed, lifting the back away from the appliance
6. Replace the lamp bulbs
7. To assemble, reverse steps 1 - 5

**Note:** (Take care not to damage the plastic screen when replacing the fuel bed).





# INSTALLATION INSTRUCTIONS

## TECHNICAL SPECIFICATIONS

These instructions cover the following models:

Manhattan Small	E8622 / AN / BS	Clarendon Medium Clear	E8612 / B / LG
Manhattan Medium	E8619 / AN / BS	Huntingdon	E8503 / B / LG / V
Ashdon Medium	E8613 / B / LG / V	Marlborough Small	E8560
Clarendon Small	E8517	Marlborough Medium	E8610
Clarendon Medium	E8612	Stockton Small	E8573
Clarendon Small Clear	E8517 / B / LG	Stockton 5 (Midi)	E8575
		Stockton Medium	E8617

KEY TO SUFFIXES			
Anthracite =	AN	Midnight Blue =	B
Stainless Steel =	BS	Ivory =	V
Matt Black =	None	Laurel =	LG

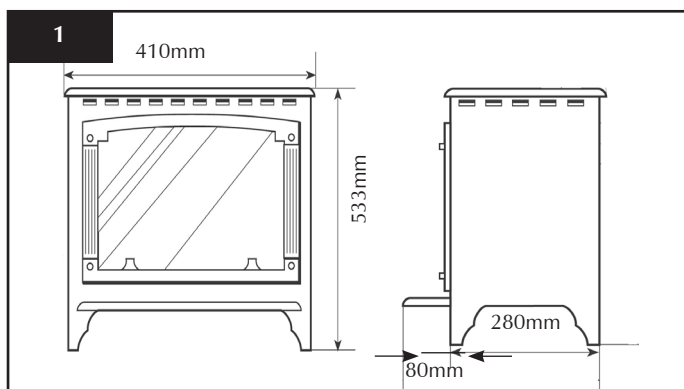
- These appliances have 3 modes of operation:
  - a) flame effect only - with brightness and flame speed adjustment
  - b) flame effect + 1kw heating
  - c) flame effect + 2kw heating
- A 230v 13amp 50Hz supply is required.
- Maximum power consumption: 2064 watts.
- THIS APPLIANCE MUST BE EARTHED
- A 1.8 metre plug and lead are supplied
- Bulb types: 2 X 40 watt 'Elegance' Soft E.S. (E14) candle lamp (fused)
- Remote control handset battery (CR2025)

## SITE REQUIREMENTS

### ALL 'INGLENOOK' FIREPLACE OPENINGS:

FOR ALL MODELS, THE DIMENSIONS REQUIRED FOR AN 'INGLENOOK' TYPE OF INSTALLATION CAN BE CALCULATED BY ADDING 225 mm (9") TO THE HEIGHT AND 150 mm (6") TO EACH SIDE, ADDING 300 mm (12") TO THE APPLIANCE WIDTH. AN ADDITIONAL 50mm (2") MUST BE ADDED TO THE DEPTH DIMENSION TO PROVIDE ADEQUATE SPACE BEHIND THE APPLIANCE.

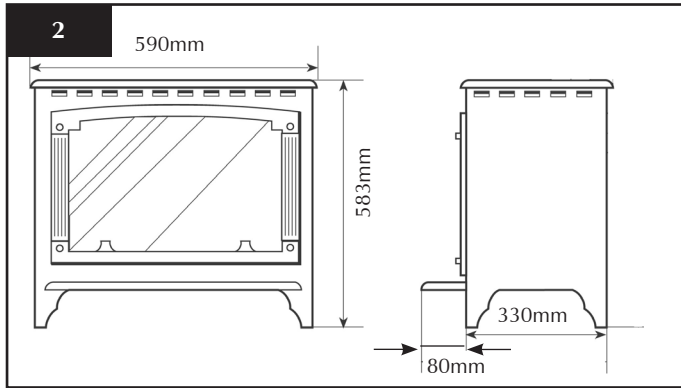
### SMALL MARLBOROUGH DIMENSIONS



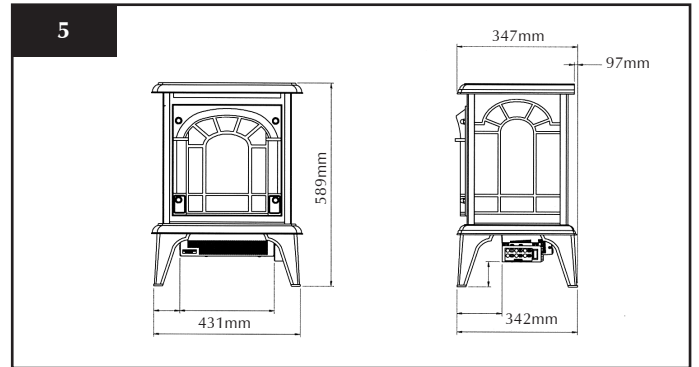
# SITE REQUIREMENTS

Note: Select the relevant dimensions from the following list for the model you are installing and calculate the extra dimensions required to install the appliance in an inglenook opening, see Page 9

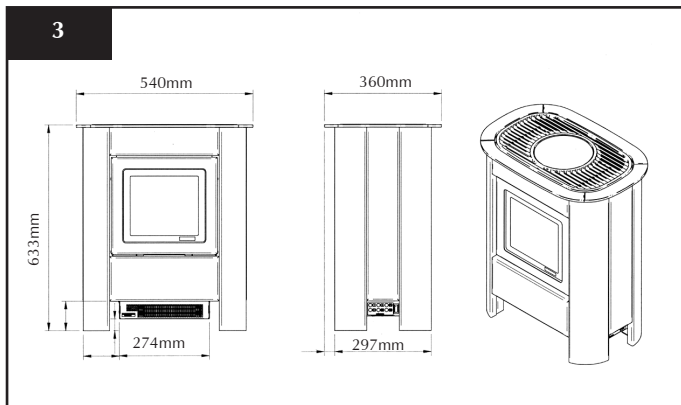
## MEDIUM MARLBOROUGH DIMENSIONS



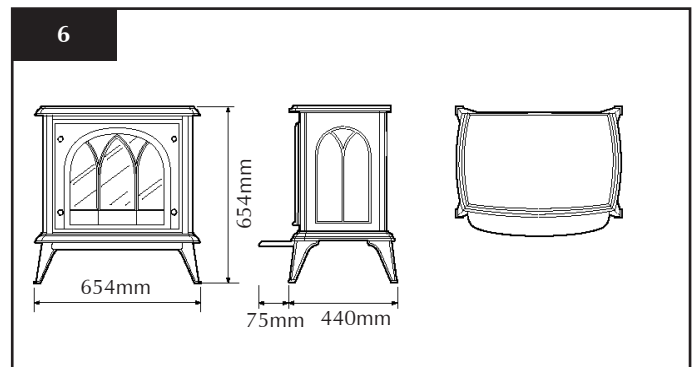
## SMALL CLARENDON DIMENSIONS



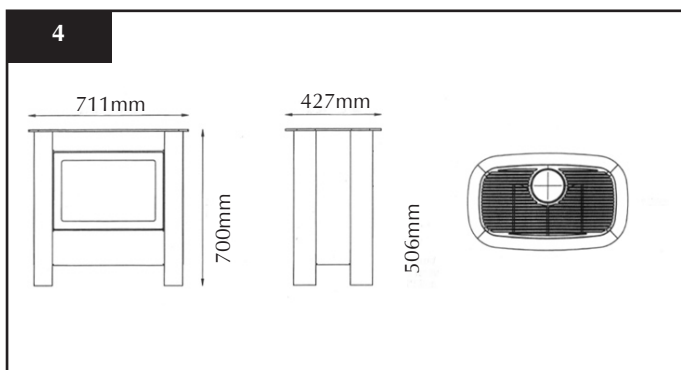
## SMALL MANHATTAN DIMENSIONS



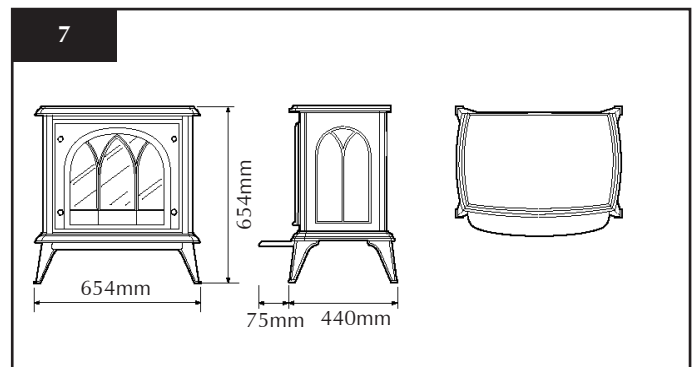
## MEDIUM CLARENDON DIMENSIONS



## MEDIUM MANHATTAN DIMENSIONS



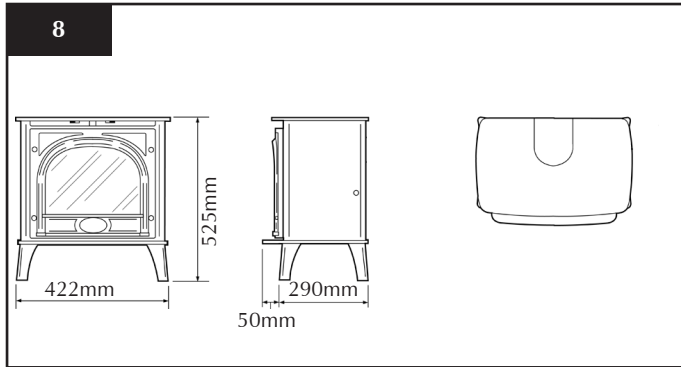
## ASHDON DIMENSIONS



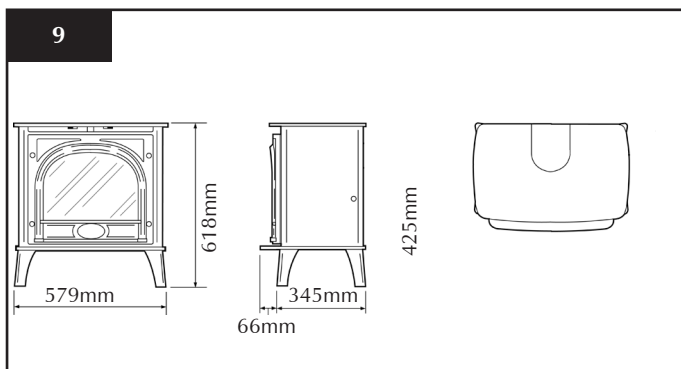
# SITE REQUIREMENTS

**Note:** Select the relevant dimensions from the following list for the model you are installing and calculate the extra dimensions required to install the appliance in an inglenook opening, see Page 9

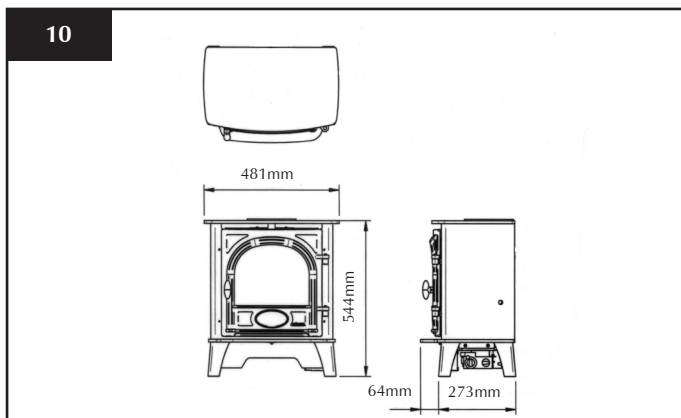
## SMALL STOCKTON DIMENSIONS



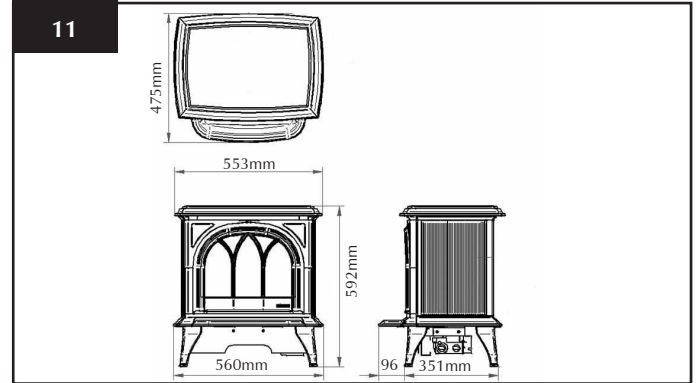
## MEDIUM STOCKTON DIMENSIONS



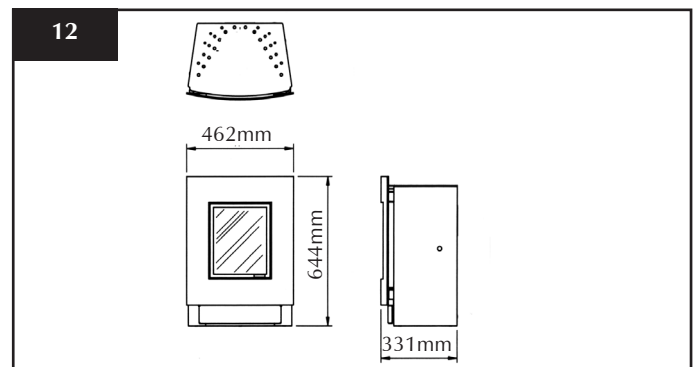
## STOCKTON 5 DIMENSIONS



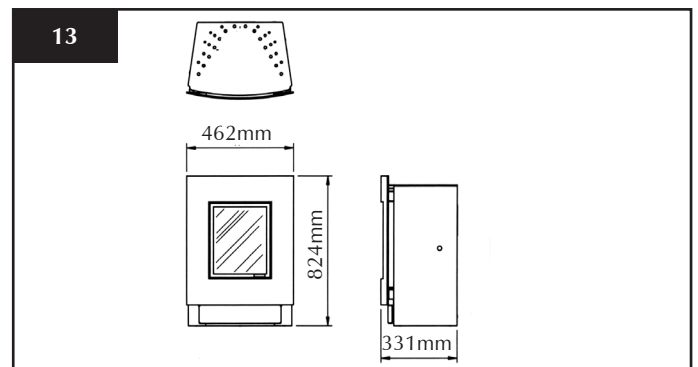
## HUNTINGDON 30 DIMENSIONS



## F40 AVANTI DIMENSIONS



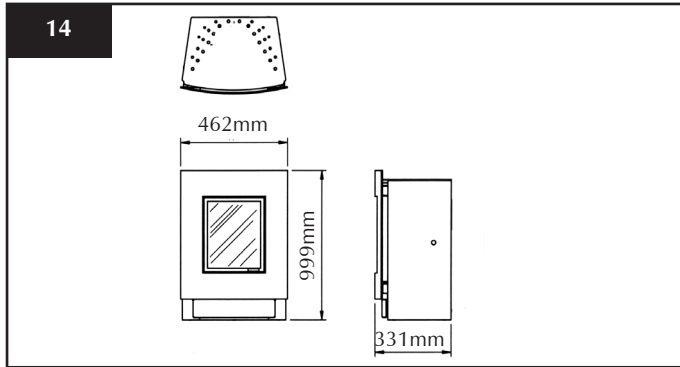
## F40 AVANTI MIDI DIMENSIONS



# SITE REQUIREMENTS

**Note:** Select the relevant dimensions from the following list for the model you are installing and calculate the extra dimensions required to install the appliance in an inglenook opening, see Page 9

## F40 AVANTI HIGHLINE DIMENSIONS



# INSTALLATION INSTRUCTIONS

## 1. FITTING STOVES

Most stoves are heavy and do not require 'anchoring' to the hearth or floor but in certain circumstances the appliance can become unstable e.g. when leaning on the stove or similar. If this is likely, secure the appliance to the hearth or floor with suitably strong fixings.

### 1.1 FOR MARLBOROUGH, MANHATTAN, STOCKTON, STOCKTON 5:

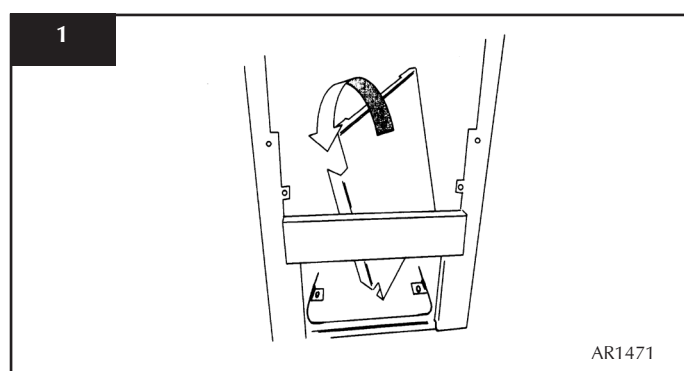
- Position the stove ensuring all appropriate clearances are observed

Using a pencil:

- Mark the position of the holes in the fixing brackets attached to the inside of the rear legs
- Remove the stove and drill holes using an appropriate drill
- Push rawl plugs into the holes and insert the wood screws until the head is approximately 3mm proud of the hearth
- Place the stove in position over the brackets so that the screw heads locate in the large part of the slot
- Push the stove back so that the screw heads engage fully into the narrow part of the slot
- Tighten the screws if desired

### 1.2 FOR THE F40 AVANTI

For Midi and Highline versions of the F40, you must remove the base panel of the carcass, Diagram 1

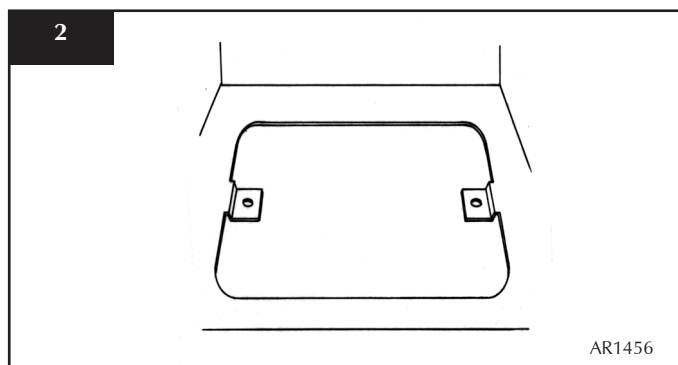


Bolting down the fire

It is now possible to access the two tabs for bolting the fire down (if required):

- Position the stove, making sure all appropriate clearances are observed
- Using a pencil:
- Mark the position of the holes in the fixing bracket.
- Diagram 2

2



- Remove the stove and drill the holes using a masonry drill
- Insert rawl plugs
- Reposition the stove and level it using the three levelling bolts in the base
- Screw the fire down
- Replace the decorative base cover panel, if fitted
- Reassemble in reverse order

## 2. FAULT FINDING

### 2.1 No illumination of the loose fuels, (or uneven lighting)

-first check if the heater is working. If YES, you probably need new bulbs. New bulbs are available from Gazco dealers and most electrical shops.

If NO, first change the 13amp fuse for one which you know works. If the fire still does not work, check the socket by plugging in an appliance you know is working. If this too fails to operate, call in a competent electrician to check the socket.

### 2.2 Illumination but no heat - the safety cut-out has operated to protect against overheating. See note in Operating Instructions above but, in particular; ensure the air inlet and outlet grilles are free of dust or any other obstruction.

### 2.3 Remote control fails to work - First check that the batteries are new and correctly fitted. Ensure that the handset is pointing at the window of the fire.

### Disposal

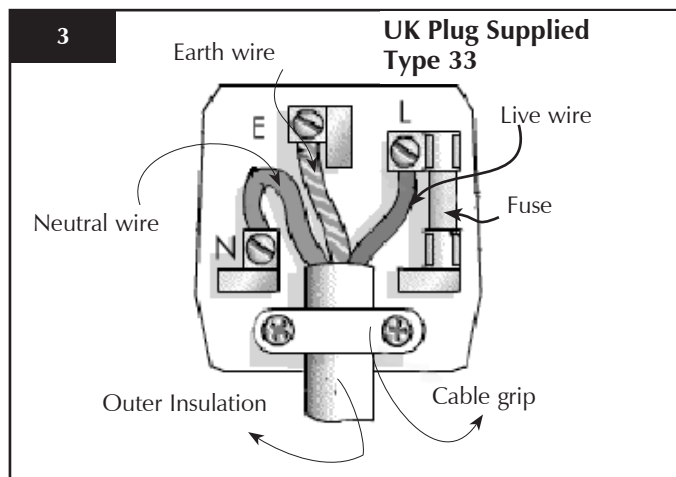


This product **must not** be disposed together with domestic waste. This product has to be disposed at an authorised place for recycling of electrical and electronic appliances.

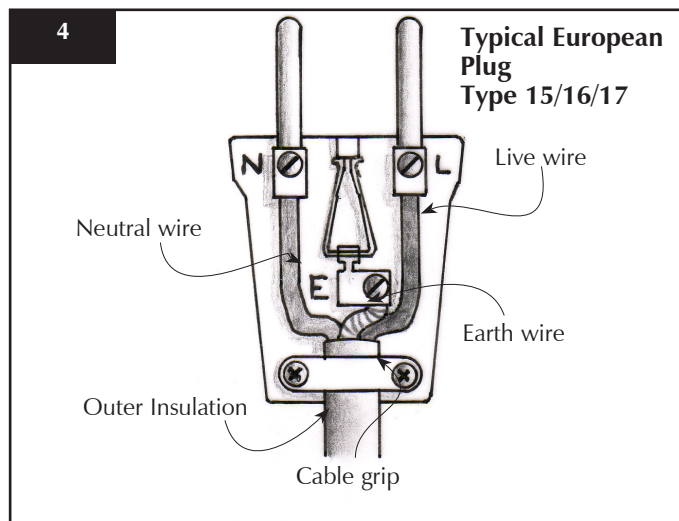
By collecting and recycling waste, you help save natural resources and make sure the product is disposed in an environmental friendly and healthy way.

# INSTALLATION INSTRUCTIONS


## 3. HOW TO WIRE A PLUG



Suitable for use in Cyprus, Malta, Ireland & Great Britain



Suitable for use in Austria, Belgium, Bulgaria, Czech Republic, Denmark, Estonia, Finland, France, Greece, Hungary, Germany, Italy, Latvia, Lithuania, Luxembourg, Netherlands, Poland, Portugal, Romania, Slovakia, Slovenia, Spain, Sweden

Live wire	Brown	Terminal Marked L / coloured RED
Neutral wire	Blue	Terminal Marked N / coloured BLACK
Earth wire	Green and yellow stripes	Marked E /  / colour GREEN or GREEN & YELLOW

### THIS APPLIANCE MUST BE EARTHED

If you need to change the plug supplied with this fire, follow the instructions below. The instructions assume that the wire has been cut

**WARNING – FAILURE TO CONNECT THE WIRES CORRECTLY COULD PUT PEOPLE AT RISK FROM ELECTRIC SHOCK OR FIRE. IF IN DOUBT CONSULT A QUALIFIED ELECTRICIAN.**

1. Dispose of the old plug safely.
2. Expose 4cm of the coloured wires. Depending on the design of plug being used:
  - Trim the coloured wires to the correct lengths so that they neatly fit to the correct terminals.
  - Ensure that the Earth wire has more slack than any of the other wires.
  - Remove some of the insulation to leave about 1cm of exposed metal core on each wire.
  - Twist the strands of the wire together
3. To connect the wires to the correct terminals:
  - Loosen the screw heads above each terminal
  - Push the metal wire into the hole beneath each screw head

Or, for other plug designs:

  - Wind the metal wire around the screw
  - Tighten each screw

4. Ensure that the insulation reaches right up to each terminal as illustrated and there are no loose strands of wire.
5. Fit the flex firmly onto the cord-grip making sure that the grip fastens onto the plastic sleeve of the flex and tighten screws.
6. Read the technical specification in these instructions to see what rating of Fuse is required and fit the correct fuse in the plug
7. Fit the plug cover and make sure that the plug is not cracked or chipped.

**Gazco Limited, Osprey Road, Sowton Industrial Estate, Exeter, Devon, England EX2 7JG**  
**Technical Customer Services (01392) 261950 Fax: (01392) 261951**  
**E-mail: [technicalservices@gazco.com](mailto:technicalservices@gazco.com)**

A member of the Stovax Group

## Free Manuals Download Website

<http://myh66.com>

<http://usermanuals.us>

<http://www.somanuals.com>

<http://www.4manuals.cc>

<http://www.manual-lib.com>

<http://www.404manual.com>

<http://www.luxmanual.com>

<http://aubethermostatmanual.com>

Golf course search by state

<http://golfingnear.com>

Email search by domain

<http://emailbydomain.com>

Auto manuals search

<http://auto.somanuals.com>

TV manuals search

<http://tv.somanuals.com>