

STOVAX



Stockton 7

Inset Convector Stove - Smoke Control Version

MODELS: 7125F

Instructions for fitting Smoke Control kit

For use in GB (Great Britain)



This appliance has been certified for use in countries other than those stated. To install this appliance in these countries, it is essential to obtain the translated instructions and in some cases the appliance will require modification. Contact Stovax for further information.

IMPORTANT

This appliance will become hot whilst in operation, it is therefore recommended that a suitable guard should be used for the protection of young children, the elderly or infirm. Do not attempt to burn rubbish in this appliance.

Please read these Instructions carefully before installation or use.

Keep them in a safe place for future reference and when servicing the fire.

The commissioning sheet found on page 3 of the main instructions should be completed by the appliance Installer.

THESE INSTRUCTIONS MUST BE USED IN CONJUNCTION WITH PM230

PM281 -Issue 1 (January 2009)

USER INSTRUCTIONS

1. GENERAL

1.1 These instructions apply to Stockton 3/4/5/6/7 when fitted with a Smoke Control kit.

NOTE: These appliances have been independently tested to PD6434 and approved by DEFRA as an exempted appliance allowing it to burn wood in Smoke Control areas when fitted with a Smoke Control kit.

| Product Code | Appliance | Smoke control kit Part No. |
|--------------|--------------------------|----------------------------|
| 7125 | Stockton Inset Convector | ST5SCKIT |

1.2 To meet the Smoke Control requirement this appliance must be operated correctly in order to minimise the amount of smoke produced.

1.3 Burn only dry wood

1.4 These instructions must be left with the user and kept with the original instructions they superseded.

2. RECOMMENDED FUELS

2.1 **Wood Logs:**

- Burn only seasoned timber with a moisture content of less than 20%

| Appliance | Maximum Length | Maximum Diameter |
|--------------------------|----------------|------------------|
| Stockton Inset Convector | 325mm | 100mm |

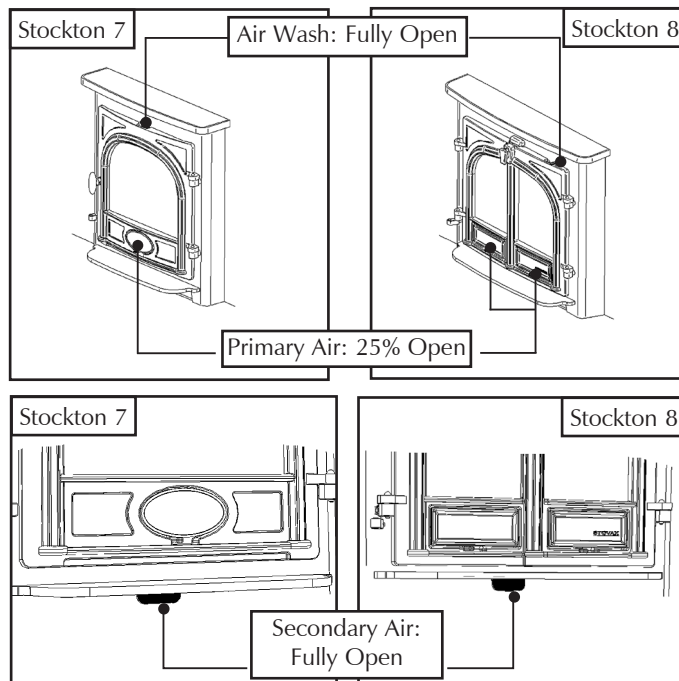
- Dry cut wood for 12 to 18 months before use
- Poor quality timber:
 - Causes low combustion efficiency
 - Produces harmful condensation
 - Reduces effectiveness of the airwash and life of the appliance

Do not burn construction timber, painted, impregnated / treated wood, manufactured board products or pallet wood.

3. LIGHTING THE APPLIANCE

3.1 For best results:

- Set air controls, See below.



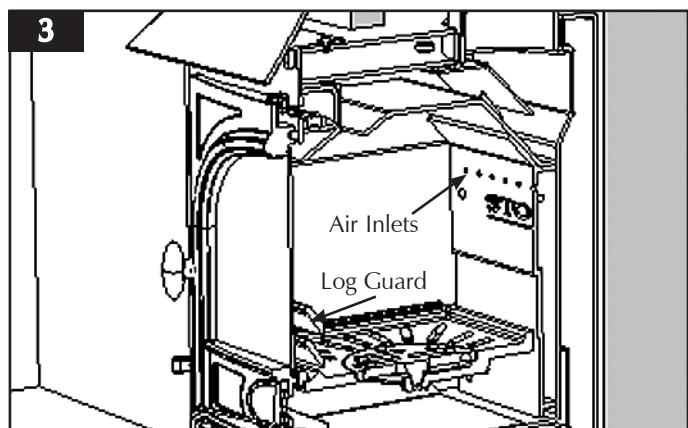
- Place firelighters or paper and dry kindling wood on the grate
- Light the paper or firelighters, See Diagram 2



- Leave the door slightly open as the fire establishes and the glass warms to avoid the build-up of condensation
- Add larger pieces of wood
Too many logs may smother the fire.

Do not load fuel above the log guard and the secondary combustion inlets at the back of the firebox.
See Diagram 3

USER INSTRUCTIONS



- Close the door
Do not leave the door open as this could over-fire and damage the appliance.

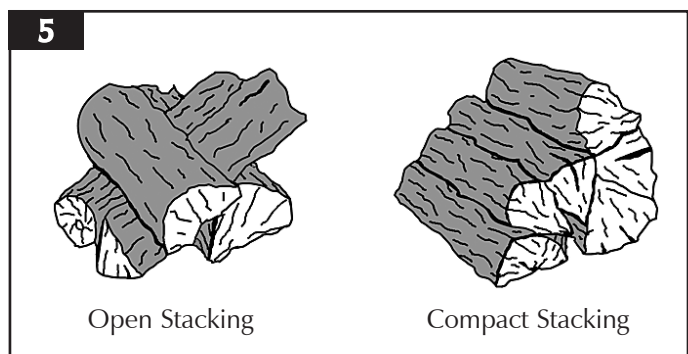
4. RUNNING THE APPLIANCE

4.1 Burning Wood:

- Close the **Primary air control** and use the **Airwash** to control the burn rate when appliance is at operating temperature, Diagram 4



- Wood burns best on a bed of ash
- Rake the embers evenly over the fire bed and open the **Airwash control** fully for a few minutes before re-fuelling to establish a glowing bed of coals
- Stack the logs in an open arrangement, Diagram 5



Open stacking allows oxygen to easily reach every part of

the fire.

Compact stacking will make the wood burn slower as wood can only reach the outside of the fire. This will cause the fire to smoulder and produce smoke.

- 4.2 Experience establishes settings to suit personal preferences.
- 4.3 **Do not** burn large amounts of fuel with the **Airwash control** closed for long periods of time. This reduces the glass cleaning effect and causes tars and creosotes to build-up in the appliance and flue system and will produce excessive amounts of smoke.
- 4.4 When in use, burning the appliance at high output for a short period also reduces tars and creosote.

When running the appliance:

- Burn new logs at high output for a few minutes before adjusting the **Airwash control**.

Refuel little and often for clean, efficient burning.

A bright and clean firebox indicates the appliance is burning well.

- Add a small amount of kindling and open the air controls if the firebed is low when the appliance is refuelled. This helps re-establish the fire. Do not close the air controls until the fire is burning well.

- 4.5 **Do not load fuel above the log guard and the secondary combustion inlets at the back of the firebox.**
Diagram 3

INSTALLATION INSTRUCTIONS

These instructions cover the fitting of the Smoke Control Kit

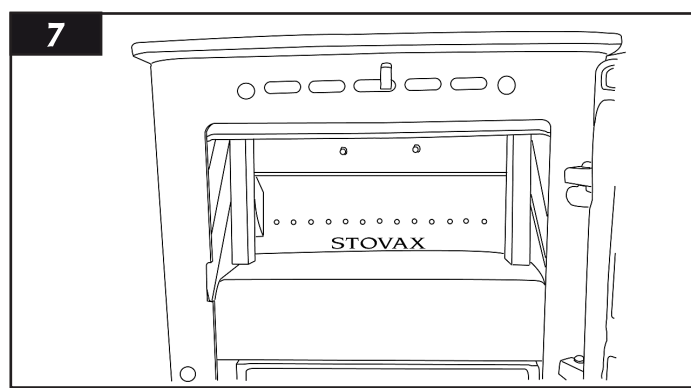
1. PARTS LIST

- Smoke Control Air slider (Stovax Part No. ST5SCKIT)

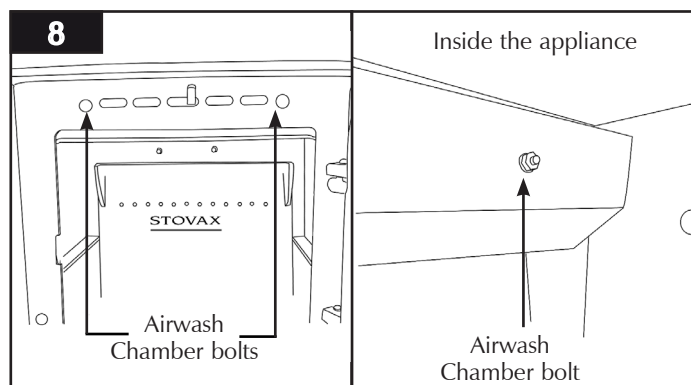
2. INSTALLATION

2.1 To install the Smoke Control kit:

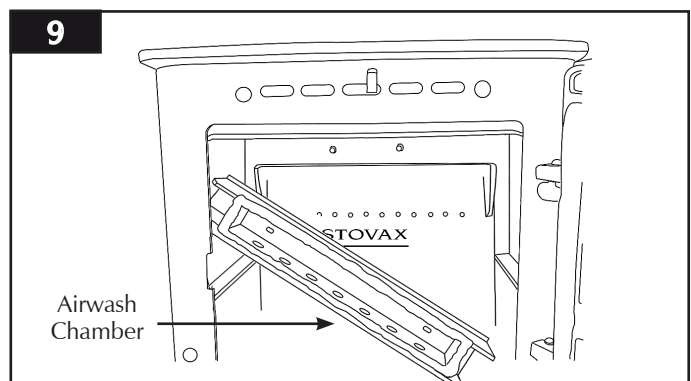
- Remove internal packaging and Log Guard, Diagram 7



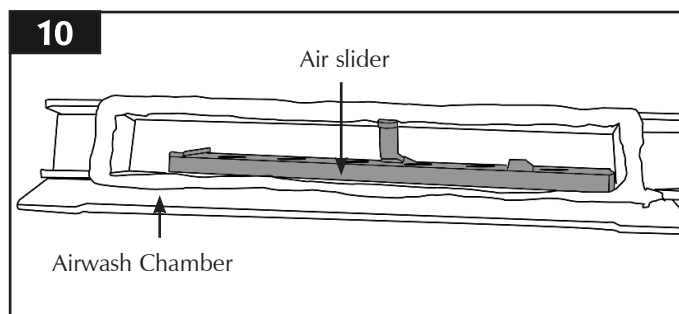
2.2 • Remove the two bolts on the Airwash chamber
These are located on the inside of the stove, Diagram 8



2.3 • Rotate and pull the Airwash chamber through the front of the appliance to remove, Diagram 9

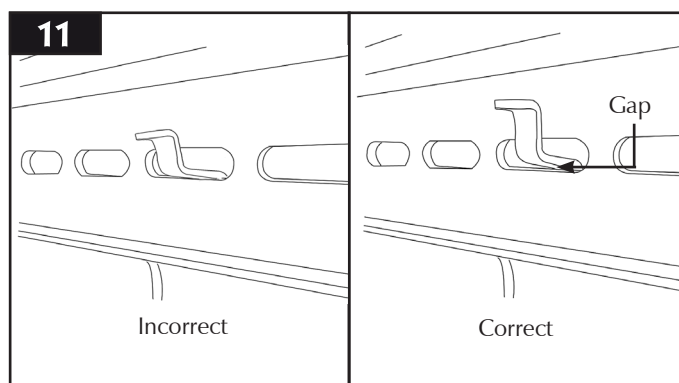


2.4 Replace the Airslider with the Smoke Control version, Diagram 10



2.5 Fitting is the reverse of the above

2.6 Ensure the Air slider screws are tightened to a tension that ensures movement when the Airwash is operated. The Air slider must be positioned correctly and not rest on the inlet, Diagram 11



2.7 Replace packaging

STOVAX

Stovax Ltd, Falcon Road, Sowton Industrial Estate, Exeter, Devon, England EX2 7LF
Tel: (01392) 474011 Fax: (01392) 219932 E-mail: info@stovax.com www.stovax.com

Free Manuals Download Website

<http://myh66.com>

<http://usermanuals.us>

<http://www.somanuals.com>

<http://www.4manuals.cc>

<http://www.manual-lib.com>

<http://www.404manual.com>

<http://www.luxmanual.com>

<http://aubethermostatmanual.com>

Golf course search by state

<http://golfingnear.com>

Email search by domain

<http://emailbydomain.com>

Auto manuals search

<http://auto.somanuals.com>

TV manuals search

<http://tv.somanuals.com>