

**CPMC-1553R**  
**User's Guide**

**CPMC-1553R**  
**User's Guide**

<p>Corporate Headquarters  150, rue Marcellin Berthelot  ZI Toulon-Est BP 244  83078 TOULON Cedex 9  France  Tel : +33 - (0) 4 94 16 34 00  Fax : +33 - (0) 4 94 16 34 01</p>	<p>USA Headquarters  1203 New Hope Road  Raleigh - NC 27610  USA  Tel : +1 - (800) 848 2330  Tel : +1 - (919) 231 8000  Fax : +1 - (919) 231 8001</p>
<p>International Sales  Department  67, rue du Charles De-Gaulle  78350 JOUY-EN-JOSAS  France  Tel : +33 - (0) 1 39 56 72 72  Fax : +33 - (0) 1 39 56 72 70</p>	<p>United Kingdom  Cornwell Business Park  31 Salthouse Road Brackmills  Northampton D NN4 7EX  United Kingdom  Tel : +44 - (0) 1604 700 221  Fax : +44 - (0) 1604 700 112</p>

[www.thalescomputers.com](http://www.thalescomputers.com)

*Thales Computers, The Ruggedizer, UNI/RT and POWERENGINE are registered trademarks of Thales Computers S.A. - PowerPC, AIX, AIXwindows, RISC System/6000, IBM are registered trademarks of IBM Corp. - LynxOS is a registered trademark of LynuxWorks, Inc. - TORNADO and VxWorks are registered trademarks of Wind River System, Inc. - UNIX is a registered trademark licensed exclusively by X/Open Company Limited. - All other product names, trademarks and registered trademark are the property of their respective holders.*

**Copyright Thales Computers 1987 - 2002**

Thales Computers reserves the right to make changes further notice to any products herein, Thales Computers makes no warranty, representation or guarantee regarding the suitability of its products for any particular purpose, nor does Thales Computers assume any liability arising out of the application or user of any product or circuit, and specifically disclaims any and all liability, including without limitation consequential or incidental damages. "Typical" parameters can and do vary in different applications. All operating parameters including "Typicals" must be validated for each customer application by customer's technical experts. Thales Computers does not convey any license under its patent rights nor the rights others. Thales Computers products are not designed, intended, or authorized for use as components in systems intended for surgical implant into body, or other applications intended to support or sustain life, or for any other application in which the failure of the Thales Computers product could create a situation where personal injury or death may occur. Should Buyer purchase or use Thales Computers products for any such unintended or unauthorized application, Buyer shall indemnify and hold Thales Computers and its officers, employees, subsidiaries, affiliates, and distributors harmless against all claims, costs, damages, and expenses, and reasonable attorney fees arising out of, directly or indirectly, any claim of personal injury or death associated with such unintended or unauthorized use, even if such claim alleges that Thales Computers was negligent regarding the design or manufacture of the part.

**Restricted Rights Legend**

Use, duplication or disclosure by the contractor or the Government is subject to restrictions as set forth in subdivision (b) (3)(ii) of the Rights in Technical Data and Computer Software clause 52.227-7013.

No communication, reproduction or use without prior written approval from Thales Computers

Your comments on this manual will be welcome.  
A sheet is appended for you to submit your remarks.

## Table of Contents

Chapter 1	Introduction.....	1-1
1.1	Manual Overview.....	1-1
1.2	CPMC-1553R Features .....	1-2
1.3	CPMC-1553R Options .....	1-3
1.4	Installation and Configuration.....	1-3
1.4.1	Precautions .....	1-3
1.4.2	Installation .....	1-3
Chapter 2	Operation.....	2-1
2.1	Functional Description.....	2-1
2.2	PCI Bus Interface.....	2-2
2.2.1	PCI Configuration Space.....	2-2
2.2.2	PCI Memory Space.....	2-6
2.2.3	PCI I/O Space.....	2-11
2.2.4	Interrupt A (INTA*).....	2-11
2.3	MIL-STD-1553B Bus .....	2-11
2.3.1	Signal Naming Convention .....	2-11
2.3.2	Remote Terminal Address.....	2-11
2.4	Power Requirements .....	2-13
Appendix A	List of Abbreviations .....	A-1

## List of Tables

Table 1.	Industry Specifications and Standards .....	1-1
Table 2	PCI Bus Configuration Registers .....	2-2
Table 3	Summary of Implemented PCI Configuration Registers.....	2-3
Table 4	Command Register Definition .....	2-3
Table 5	Status Register Definition .....	2-4
Table 6	Memory Base Address Registers Definitions .....	2-5
Table 7	Mapping of PCI Memory Space to ACE Internal Registers .....	2-7
Table 8	Signal Definition of ACE Configuration Register .....	2-9
Table 9	Interrupt Control/Status Register .....	2-9
Table 10	ACE Memory Space Address Mapping .....	2-10
Table 11	Pn4 Signal Definitions .....	2-12
Table 12	Power Requirements .....	2-13

# Chapter 1 – Introduction

## 1.1 Manual Overview

This manual describes the CPMC-1553R board from Thales Computers. Chapter 1 summarizes the board's features and provides installation instructions. Chapter 2 describes its functional characteristics. Appendix A is a list of the abbreviations used in this manual.

This manual uses the following terminology conventions:

- Addresses and signal names are shown in capital letters.
- An asterisk\* after a signal name indicates active low.
- Hexadecimal notation is indicated by the prefix 0x.

Thales Computers products are designed to meet several industry specifications and standards. Board installers and operators should be familiar with the concepts of these documents.

**Table 1. Industry Specifications and User Documentation**

Category	Document	Ordering Information
PCI Local Bus	PCI Local Bus Specification, Rev. 2.1, June 1, 1995	PCI Special Interest Group P.O. Box 14070 Portland, OR 97214 (800)433-5177
PMC	Draft Standard Physical and Environmental Layers for PCI Mezzanine Cards: PMC, P1386.1/Draft 2.0, 5/4/95	IEEE Standards Department Order Department 445 Hoes Lane, P.O. Box 1331 Piscataway, NJ 08855-1331
MIL-STD-1553B Bus	MIL-STD-1553 Designer's Guide, Fifth Edition, BU-65170/61580 and BU-61585	ILC Data Device Corporation 105 Wilbur Place Bohemia, NY 11716 (516)567-5600
	ACE Series BC/RT/MT Advanced Communication Engine Integrated 1553 Terminal BU-65170, BU-61580, BU-61590, BU-65178, BU-61588, BU-61582, BU61583, BU-65620, and BU-65621 User's Guide, Rev. G	
	BU-65178/65179*/61588/61688*/61689* Miniature Advanced Communications Engine (Mini-ACE) and Mini-ACE Plus*, BU-61688	
FLEX 10K PLD	Altera Flex 10K Altera Data Book, 1998	Altera Corporation 101 Innovation Drive San Jose, CA 95134 (408)544-7000

## 1.2 CPMC-1553R Features

The CPMC-1553R is a single, conduction-cooled, PMC card with two dual-redundant MIL-STD-1553 Buses. The card has the following features:

- Two ILC-DDC BU-61688 Mini-ACE MIL-STD-1553 interface devices (single version available)
  - 64kBx16 shared RAM
  - Fully integrated MIL-STD1553 A/B
  - Bus Controller (BC)/ Remote Terminal (RT)/Monitor Terminal (MT) configurable through software
  - Direct or transformer coupled interfaces
  - Internal time tag register
  - Interrupt status register
- Bus controller features
  - Automatic retries
  - Programmable intermessage gap times
  - Automatic frame repetition
  - Flexible interrupt generation
- RT features
  - RT address selected via PMC connector
  - Full software control of RT Status and Built-in-Test (BIT) words
  - Double buffer and circular buffer options programmable by subaddresses
  - Internal command illegalization
- MT features three modes – word monitor, selective message monitor, and a combined RT/selective monitor
- PCI interface
  - 33 MHz, 32-bit, 5V or 3.3V PCI bus
  - Interrupt on INTA\*
- Eight TTL-level user inputs
- Eight TTL-level user outputs – open-drain output drivers
- Temperature range -40 - +85°F
- Weight – 96 grams

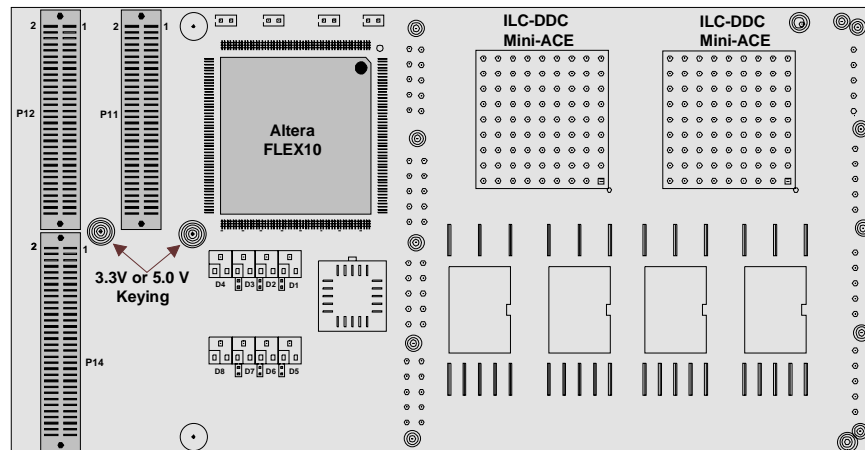


Figure 1. CPMC-1553R Board Layout

### 1.3 CPMC-1553R Options

Figure 2 shows the standard options available for the CPMC-1553R.

CPMC-1553R-	
<u>Environment</u>	
Industrial/-SA .....	I
Rugged/-RA.....	R
Militarized/-RC .....	M
<u>Channels</u>	
1 Channel.....	1
2 Channels.....	2

Figure 2. CPMC-1553R Standard Options

### 1.4 Installation and Configuration

#### 1.4.1 Precautions

Electrostatic discharge can damage many of the components of the CPMC-1553R. Therefore, it should be kept in its protective antistatic bag until it is ready to be configured and installed. During installation or whenever the CPMC-1553R is removed from the bag, it is important to follow proper grounding procedures. Such procedures include use of an antistatic workstation, an operator wrist strap, and a grounded bench mat. Save the antistatic bag for use in storing or shipping the CPMC-1553R.

Closely inspect the board for any signs of shipment-related damages such as loose components or bent pins. If any evidence of damage is discovered, please notify the carrier and Thales Computers immediately.

#### 1.4.2 Installation

The CPMC-1553R board attaches to a PMC carrier board. The attaching hardware for the CPMC-1553R board is included with your order.

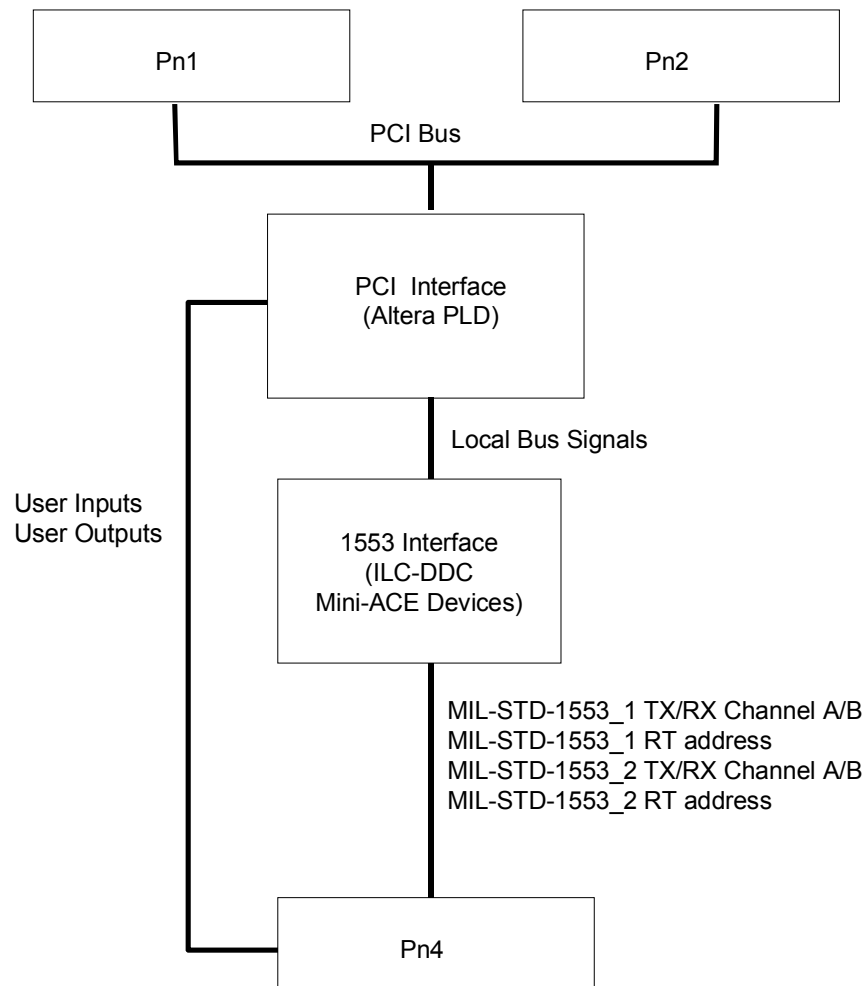
Attach the CPMC-1553R board to the PMC carrier board according to the following instructions.

- a. Remove the PMC carrier board from the chassis.
- b. Align the PCI connectors on the component side of the CPMC-1553R board with the PCI connectors on the component side of the PMC carrier board. Press them together so that the friction from the pins holds them together. After inserting the board make sure that the connectors have not shifted.
- c. Insert the screws supplied with the board, through the bottom of the PMC carrier board and into the standoffs attached to the CPMC-1553R.
- d. For a conduction-cooled board, install the remaining screws through the CPMC-1553R into the reinforcing bars on the PMC carrier board.
- e. Insert the PMC carrier board back into the chassis making sure it is plugged into the backplane.
- f. Turn on the system power.

## Chapter 2 – Operation

### 2.1 Functional Description

The CPMC-1553R is a PMC card with one or two, dual-redundant MIL-STD-1553B buses, eight user inputs, and eight user outputs. The board interfaces to the user I/O through the PMC connector Pn4. Two PMC connectors, Pn1 and Pn2 provide a direct connection to the PCI Bus. The Altera FLEX10 Programmable Logic Device (PLD) and the ILC-DDC Mini-ACE Device provide the interface between the PCI bus and the MIL-STD-1553B bus. Each MIL-STD-1553B bus is implemented using an ILC-DDC Mini-ACE device with 64kB x 16 of shared RAM. The implementation is shown in Figure 3.



9903-1

**Figure 3. CPMC-1553R Implementation Diagram**



## 2.2 PCI Bus Interface

An Altera FLEX10 PLD provides the interface between the PCI Bus and the ILC-DDC Mini-ACE device. The FLEX10 operates at 33MHz, is powered by 5V or 3.3V, has a 32-bit data path, and is compliant with the PCI Local Bus Specification, Revision 2.1. The CPMC-1553R is a target on the PCI Bus.

### 2.2.1 PCI Configuration Space

The PCI configuration space consists of a block of 64 configuration DWORDS, of which, the first 16 are defined by the PCI Special Interest Group (PCI SIG). The configuration space defined by PCI SIG is shown in Table 2. The shaded areas indicate registers that are supported by the CPMC-1553R board. A summary of the supported configuration registers, and their default values is shown in Table 3. Any registers that are not supported return a value of 0x00 when read.

**Table 2. PCI Bus Configuration Registers**

Address (0x)	Byte			
	3	2	1	0
00	Device ID		Vendor ID	
04	Status Register		Command Register	
08	Class Code			Revision ID
0C	BIST	Header Type	Latency Timer	Cache Line Size
10	Base Address Register 0			
14	Base Address Register 1			
18	Base Address Register 2			
1C	Base Address Register 3			
20	Base Address Register 4			
24	Base Address Register 5			
28	Card Bus CIS Pointer			
2C	Subsystem ID		Subsystem Vendor ID	
30	Expansion ROM Base Address Register			
34	Reserved			
38	Reserved			
3C	Maximum Latency	Minimum Grant	Interrupt Pin	Interrupt Line

**Table 3. Summary of Implemented PCI Configuration Registers**

Register Name	Address (0x)	Read/Write	Default Value (0x)
Vendor ID	00	Read	151E
Device ID	02	Read	0001
Command Register	04	Read/Write	0000
Status Register	06	Read/Write	0400
Revision ID	08	Read	03 or higher
Class Code	09	Read	078000
Header Type	0E	Read	00
Base Address Register 0	10	Read/Write	FFFC0000
Base Address Register 1	14	Read/Write	FFFFFF00
Subsystem Vendor ID	2C	Read	151E
Subsystem ID	2E	Read	0001
Interrupt Line	3C	Read/Write	00
Interrupt Pin	3D	Read	01

**2.2.1.1 Vendor ID Register** The Vendor ID is a 16-bit register assigned to Thales Computers that identifies the manufacturer of the device. The value of this register should always be 0x151E.

**2.2.1.2 Device ID Register** The Device ID is a 16-bit read-only register assigned by Ceta that identifies the PCI interface device. The value of this register should always be 0x0001.

**2.2.1.3 Command Register** The Command Register is a 16-bit read/write register that provides basic control over the ability of the CPMC-1553R board to respond to the PCI bus. The Command Register is defined in Table 4. The default value of the Command Register is 0x0000.

**Table 4. Command Register Definition**

Data Bit	Mnemonic	Read/Write	Definition
0	IO_ENA	Read/Write	Read/write to I/O access enable.
1	MEM_ENA	Read/Write	Memory Access Enable. When high, MEM_ENA allows the CPMC-1553R to respond to PCI Bus memory accesses.
5..2	Unused	—	—
6	PERR_ENA	Read/Write	Parity Error Enable. When high, PERR_ENA enables the CPMC-1553R to report parity errors via the PERR* output.
7	Unused	—	—
8	SERR_ENA	Read/Write	System Error Enable. When high, SERR_ENA allows the CPMC-1553R to report address parity errors via the SERR* output. However, to signal a system error, the PERR_ENA bit must also be high.
15..9	Unused	—	—

**2.2.1.4 Status Register** The Status Register is a 16-bit read/write register that provides the status of bus-related events. Read transactions tell you the current status of the bits. The Status Register is cleared by writing a logic one to that bit. Writing a logic zero has no affect on the registers. The status register is defined in Table 5. The default value of the status register is 0x0400.

**Table 5. Status Register Definition**

Data Bit	Mnemonic	Read/Write	Definition
8..0	Unused	—	—
10..9	DEVSEL_TIM	Read	Device Select Timing. The DEVSEL_TIM bits indicate target access timing of the CPMC-1553R board function. This board function is designed to be a slow target device. These bits are always read as 0x10b.
11	TABORT_SIG	Read/Write	Target Abort Signaled. This bit is set when a local peripheral device terminates a transaction. The CPMC-1553R board automatically sets this bit if it issued a target abort after the local side asserted LT_ABORT*. This bit is driven to the local side on the TABORT_SIG output.
12	TAR_ABRT_REC	Read/Write	Target Abort. When high, TAR_ABRT_REC indicates that the current target device transaction has been terminated.
13	Unused	—	—
14	SERR_SET	Read/Write	Signaled System Error. When high, SERR_SET indicates that the CPMC-1553R board drove the SERR* output active (result of address phase parity error). This signal is driven to the local side on the SERR_SIG output
15	DET_PAR_ERR	Read/Write	Detected Parity Error. When high, DET_PAR_ERR indicates that the CPMC-1553R board detected either an address or data parity error. Even if parity error reporting is disabled (PERR_ENA), the CPMC-1553R board sets the DET_PAR_ERR bit. This signal is driven to the local side on the PERR_DET output.

**2.2.1.5 Revision ID Register** The Revision ID register is an 8-bit, read-only register that identifies the revision number of the device. The value of this register is set by Thales Computers. The current version should be 0x03 or higher.

**2.2.1.6 Class Code Register** The Class Code register is a 24-bit, read-only register divided into three sub-registers: base class, sub-class, and programming interface. The class code register always returns a value of 0x078000 when read.

**2.2.1.7 Cache Line Size Register** The Cache Line Size register is not supported.

**2.2.1.8 Latency Timer Register** The Latency Timer register is not supported.

**2.2.1.9 Header Type Register** The Header Type register is an 8-bit, read-only register that identifies the CPMC-1553R board as a single function device. This register returns a value of 0x00 when read.

**2.2.1.10 Built-In Self Test Register** The Built-In Self Test (BIST) Register is not supported.

**2.2.1.11 Base Address Registers** Each of the six Base Address Registers (BAR#) has identical attributes. Each BAR should be a 32-bit Hexadecimal number, that selects a combination of the following options: type of address space, location of the reserved memory in the 32-bit address space, sets the reserved memory as prefetchable or non-prefetchable, and the size of memory or I/O address space reserved for the BAR.

BAR0 is a read/write register that is used for the CPMC-1553R Memory Base Address Register. After writing 0xFFFFFFFF to this register, reading this register will return the value 0xFFFC0000.

BAR1 is a read/write register that is used for the CPMC-1553R Register Base Address Register. After writing 0xFFFFFFFF to this register, reading this register will return the value 0xFFFF0000.

BAR2-BAR5 are unused. These registers return the value of 0x0000 when read.

**Table 6. Memory Base Address Registers Definitions**

Data Bit	Mnemonic	Read/Write	Definition
0	MEM_IND	Read	Memory indicator. 0 – register maps into memory address space 1 – register maps into I/O address space
2..1	MEM_TYPE	Read	Memory type 00 – locate anywhere in 32-bit address space 01 – locate below 1MB 10 – locate anywhere in 64-bit address space 11 - reserved
3	PRE_FETCH	Read/write	Memory prefetchable. The PRE_FETCH bit indicates whether the blocks of memory are prefetchable by the host bridge.
31..4	BAR	Read/write	Base address register

**2.2.1.12 Card Bus CIS Pointer Register** The Card Bus Card Information Structure (CIS) Pointer Register is not supported.

**2.2.1.13 Subsystem Vendor ID Register** The Subsystem Vendor ID register is a 16-bit, read-only register that identifies Thales Computers as the vendor for the CPMC-1553R card. The value of this register should always be 0x151E.

**2.2.1.14 Subsystem ID Register** The Subsystem ID Register is a 16-bit, read-only register that identifies the CPMC-1553R board. The value of this register should always be 0x0001.

**2.2.1.15 Expansion ROM Base Address Register** The Expansion ROM Base Address Register is not supported.

**2.2.1.16 Interrupt Line Register** The Interrupt Line Register is an 8-bit, read/write register that defines which system interrupt request line (on the system interrupt controller) the INTA\* output is routed. The default value for this register is 0x00.

**2.2.1.17 Interrupt Pin Register** The Interrupt Pin Register is an 8-bit, read-only register that defines the PCI interrupt generated by this board to be INTA\*. This register returns a value of 0x01 when read.

**2.2.1.18 Minimum Grant Register** The minimum Grant Register is not supported.

**2.2.1.19 Maximum Latency Register** The Maximum Latency Register is not supported.

## **2.2.2 PCI Memory Space**

The ACE registers, user defined discrete I/O, and ACE memory are all mapped to the PCI memory space.

**2.2.2.1 ACE Register Space** The ACE register space is mapped into the PCI memory space. The location of the ACE register and user defined discrete I/O is defined in Base Address Register 1 (BAR1), address 0x14 in PCI configuration space. This space provides the software interface to the ACE device via 17 internal operational registers. The mapping of these registers is defined in Table 7. For more information regarding the function of the register space of the ACE device, refer to the ILC-DDC data sheet for BU-61688.

**Table 7. Mapping of PCI Memory Space to ACE Internal Registers**

PCI Address (AD15..AD0)	ACE Address (ADDR15..ADDR0)	Read/Write	Description
0000	0000	Read/Write	ACE#1 – Interrupt Mask Register
0002	0001	Read/Write	ACE#1 – Configuration Register #1
0004	0002	Read/Write	ACE#1 – Configuration Register #2
0006	0003	Write  Read	ACE#1 – Start/Reset Register  ACE#1 – BC/RT Command Stack Pointer Register
0008	0004	Read/Write	ACE#1 – BC Control Word Register/RT Subaddress Control Word Register
000A	0005	Read/Write	ACE#1 – Time Tag Register
000C	0006	Read	ACE#1 – Interrupt Status Register
000E	0007	Read/Write	ACE#1 – Configuration Register #3
0010	0008	Read/Write	ACE#1 – Configuration Register #4
0012	0009	Read/Write	ACE#1 – Configuration Register #5
0014	000A	Read/Write	ACE#1 – Data Stack Address Register
0016	000B	Read	ACE#1 – BC Frame Time Remaining Register
0018	000C	Read	ACE#1 – BC Message Time Remaining Register
001A	000D	Read/Write	ACE#1 – BC Frame Time/RT Last Command/MT Trigger Register
001C	000E	Read	ACE#1 – RT Status Word Register
001E	000F	Read	ACE#1 – RT BIT Word Register
0020	0010	Read/Write	ACE#1 – Test Mode Register 0
0022	0011	Read/Write	ACE#1 – Test Mode Register 1
0024	0012	Read/Write	ACE#1 – Test Mode Register 2
0026	0013	Read/Write	ACE#1 – Test Mode Register 3
0028	0014	Read/Write	ACE#1 – Test Mode Register 4
002A	0015	Read/Write	ACE#1 – Test Mode Register 5
002C	0016	Read/Write	ACE#1 – Test Mode Register 6
002E	0017	Read/Write	ACE#1 – Test Mode Register 7
0030	0018	Read/Write	ACE#1 – Reserved
0032	0019	Read/Write	ACE#1 – Reserved
0034	001A	Read/Write	ACE#1 – Reserved
0036	001B	Read/Write	ACE#1 – Reserved
0038	001C	Read/Write	ACE#1 – Reserved
003A	001D	Read/Write	ACE#1 – Reserved
003C	001E	Read/Write	ACE#1 – Reserved
003E	001F	Read/Write	ACE#1 – Reserved
0040 – 007F	—	—	ACE#1 – Reserved for Future Expansion

**Table 7. Mapping of PCI Memory Space to ACE Internal Registers - Continued**

PCI Address (AD15..AD0)	ACE Address (ADDR15..ADDR0)	Read/Write	Description
0080	0000	Read/Write	ACE#2 – Interrupt Mask Register
0082	0001	Read/Write	ACE#2 – Configuration Register #1
0084	0002	Read/Write	ACE#2 – Configuration Register #2
0086	0003	Write  Read	ACE#2 – Start/Reset Register  ACE#2 – BC/RT Command Stack Pointer Register
0088	0004	Read/Write	ACE#2 – BC Control Work Register/RT Subaddress Control Word Register
008A	0005	Read/Write	ACE#2 – Time Tag Register
008C	0006	Read	ACE#2 – Interrupt Status Register
008E	0007	Read/Write	ACE#2 – Configuration Register #3
0090	0008	Read/Write	ACE#2 – Configuration Register #4
0092	0009	Read/Write	ACE#2 – Configuration Register #5
0094	000A	Read/Write	ACE#2 – Data Stack Address Register
0096	000B	Read	ACE#2 – BC Frame Time Remaining Register
0098	000C	Read	ACE#2 – BC Message Time Remaining Register
009A	000D	Read/Write	ACE#2 – BC Frame Time/RT Last Command/MT Trigger Register
009C	000E	Read	ACE#2 – RT Status Word Register
009E	000F	Read	ACE#2 – RT BIT Word Register
00A0	0010	Read/Write	ACE#2 – Test Mode Register #0
00A2	0011	Read/Write	ACE#2 – Test Mode Register #1
00A4	0012	Read/Write	ACE#2 – Test Mode Register #2
00A6	0013	Read/Write	ACE#2 – Test Mode Register #3
00A8	0014	Read/Write	ACE#2 – Test Mode Register #4
00AA	0015	Read/Write	ACE#2 – Test Mode Register #5
00AC	0016	Read/Write	ACE#2 – Test Mode Register #6
00AE	0017	Read/Write	ACE#2 – Test Mode Register #7
00B0	0018	Read/Write	ACE#2 – Reserved
00B2	0019	Read/Write	ACE#2 – Reserved
00B3	001A	Read/Write	ACE#2 – Reserved
00B6	001B	Read/Write	ACE#2 – Reserved
00B8	001C	Read/Write	ACE#2 – Reserved
00BA	001D	Read/Write	ACE#2 – Reserved
00BC	001E	Read/Write	ACE#2 – Reserved
00BE	001F	Read/Write	ACE#2 – Reserved
00C0 – 00FF	—	—	ACE#2 – Internal Registers Reserved for Future Expansion
0180 – 01FF	—	Reserved	Reserved

**2.2.2.2 ACE Configuration and User I/O Register** The ACE configuration used on the board can be read via PCI I/O space defined in BAR1, with an address offset of 0x0800. In addition, this register also provides the means for software to read the eight input bits and control the eight, open-drain output bits. The output bits are pulled to 5V using 4.7K ohm resistors. This register is defined in Table 8.

**Table 8. Signal Definition of Address 0x800, BAR 1**

Data Bit	Read/Write	Definition
31..24	Read/Write	User defined outputs 7..0. After a PCI reset all outputs are not driven.
23..16	Read	User defined inputs 7..0
15..12	Not used	Always returns the value 0x0
11	Read	0 – 64kB x 16 Mini-ACE 1 – 4kB x 16 Mini-ACE
10..8	Read	Indicates the number of mini-ACE devices 000 – 1 Mini-ACE 001 – 2 Mini-ACEs
7..3	Read	Always returns the value 0x1F.
2	Read	0 – User defined I/O interrupt active 1 – User defined I/O interrupt inactive Check which input bit generated the interrupt by reading the Interrupt Control and Status register.
1..0	Read	0 - Mini-ACE[2..1] interrupt active 1 - Mini-ACE[2..1] interrupt inactive

**2.2.2.3 Interrupt Control/Status Register** Each of the input bits can be independently configured to generate an input based on a rising edge, falling edge, or either edge. The inputs are “debugged” using a 90 nanosecond digital filter before being applied to the edge detectors. A PCI reset clears the register.

**Table 9. Interrupt Control/Status Register at 0x0804, BAR1**

Data Bit	Read/Write	Definition
31..24	Read/Write	1 – Enable falling edge interrupt on input 7..0 0 – Inhibit falling edge interrupt on input 7..0
23..16	Read/Write	1 – Enable rising edge interrupt on input 7..0 0 – Inhibit rising edge interrupt on input 7..0
15..8	Read Write	1 – Falling edge interrupt detected on input 7..0 0 - Falling edge interrupt not detected on input 7..0 1 – Clear falling edge interrupt status on input 7..0 0 – Do not change interrupt status for input 7..0
7..0	Read Write	1 – Rising edge interrupt detected on input 7..0 0 - Rising edge interrupt not detected on input 7..0 1 – Clear rising edge interrupt status on input 7..0 0 – Do not change interrupt status for input 7..0



**2.2.2.4 ACE Reset Register** This read/write register is accessible at 0x0808, BAR 1. Only bit 0 is used. After a PCI reset the register reads 0x00000001. To generate a reset to both ACE chips write a 0 to bit 0. A 0 holds both ACEs in reset. Write a 1 to bit D0 to unreset both ACEs. This register is provided only for test purposes and is not intended to be used as part of the normal CPMC-1553R operation.

**2.2.2.5 ACE Memory Space** The ACE memory space is mapped into the PCI memory space. The location of the ACE memory space is defined in BAR0, address 0x10 in PCI configuration space. All registers are read/write and must be accessed as words only. The mapping of these registers is defined in Table 10. For more information regarding the function of the memory space of the ACE device, refer to the ILC-DDC data sheet for BU-61688.

**Table 10. ACE Memory Space Address Mapping**

PCI Address (AD19..AD0)	ACE Address (ADDR15..ADDR0)	Description
00000	0000	ACE#1 – RAM location 0000
00002	0001	ACE#1 – RAM location 0001
00004	0002	ACE#1 – RAM location 0002
...	...	...
1FFFE	FFFF	ACE#1 – RAM location FFFF
20000	0000	ACE#2 – RAM location 0000
20002	0001	ACE#2 – RAM location 0001
20004	0002	ACE#2 – RAM location 0002
...	...	...
3FFFE	FFFF	ACE#2 – RAM location FFFF
40000 – 7FFFE		Reserved

### 2.2.3 PCI I/O Space

The PCI I/O space is not utilized by the CPMC-1553R board.

### 2.2.4 Interrupt A (INTA\*)

The CPMC-1553R board generates INTA\* on the PCI Bus when either of the Mini-ACE devices generates an interrupt or an interrupt occurs from one of the user-defined input lines. The interrupt conditions are configurable through software.

## 2.3 MIL-STD-1553B Bus

Each MIL-STD-1553B bus is implemented using an ILC-DDC Mini-ACE device with 64kB x 16 of shared RAM. This device can be set up, through software, to operate as a BC, RT, or MT. Each Mini-Ace is wired to operate in buffered mode, with a 16-bit data transfer rate. Each bus can be either direct coupled or transformer coupled. Careful consideration should be given to the routing of the MIL-STD-1553B differential signal pairs. All MIL-STD-1553B signals are routed off-board via the Pn4 connector. The signal definitions for the Pn4 connector are defined in Table 11. Pins that have no connection on the CPMC-1553R board are defined as N/C.

### 2.3.1 Signal Naming Convention

The MIL-STD-1553 signal pairs routed to the Pn4 connector use the following naming convention:

TX/RX-(**letter**)\_(**number**)\_(**direct/trans**)

TX/RX-(**letter**)\_(**number**)\*\_(**direct/trans**)

The **letter** refers to channel A or B of a particular MIL-STD-1553B Bus. These correspond to channel A and channel B on the ACE device.

The **number** refers to the ACE number. For a card using only one dual-redundant bus, only signals with a 1 in this location will be mapped to this connector.

The **direct/trans** refers to the type of coupling required for that signal pair: direct or transformer coupled.

The transformer-coupled signal pair for channel A on a board using only one Mini-ACE device would be TX/RX-A\_1\_TRANS and TX/RX-A\_1\*\_TRANS.

### 2.3.2 Remote Terminal Address

The RT address is configurable via the Pn4 connector. The RTAD[4:0] and RTADP signals are pulled up on the CPMC-1553R board. A ground signal is provided with each set of RT address signals, on Pn4, to allow the user to make any of these signals low.

The RT address may be configured to latch the RTAD[4:0] and RTADP signals with a software command or to continuously track the RTAD[4:0] and RTADP signals. The default for the CPMC-1553R board is to latch the RT address (RT\_AD\_LAT to the Mini-ACE pulled high).

**Table 11. Pn4 Signal Definitions**

<b>Pin</b>	<b>Signal</b>	<b>Pin</b>	<b>Signal</b>
1	TX/RX-A_1_DIRECT	2	RTAD0_1
3	TX/RX-A_1*_DIRECT	4	TX/RX-A_1_TRANS
5	RTAD1_1	6	TX/RX-A_1*_TRANS
7	TX/RX-B_1_DIRECT	8	RTAD2_1
9	TX/RX-B_1*_DIRECT	10	TX/RX-B_1_TRANS
11	RTAD3_1	12	TX/RX-B_1*_TRANS
13	TX/RX-A_2_DIRECT	14	RTAD4_1
15	TX/RX-A_2*_DIRECT	16	TX/RX-A_2_TRANS
17	RTADP_1	18	TX/RX-A_2*_TRANS
19	TX/RX-B_2_DIRECT	20	GND
21	TX/RX-B_2*_DIRECT	22	TX/RX-B_2_TRANS
23	RTAD0_2	24	TX/RX-B_2*_TRANS
25	USER_INPUT0	26	RTAD1_2
27	USER_INPUT 1	28	USER_INPUT2
29	RTAD2_2	30	USER_INPUT3
31	USER_INPUT4	32	RTAD3_2
33	USER_INPUT5	34	USER_INPUT6
35	RTAD4_2	36	USER_INPUT7
37	USER_OUTPUT0	38	RTADP_2
39	USER_OUTPUT1	40	USER_OUTPUT2
41	GND	42	USER_OUTPUT3
43	USER_OUTPUT4	44	USER_OUTPUT5
45	USER_OUTPUT6	46	USER_OUTPUT7
47	N/C	48	N/C
49	N/C	50	N/C
51	N/C	52	N/C
53	N/C	54	N/C
55	N/C	56	N/C
57	N/C	58	N/C
59	N/C	60	N/C
61	N/C	62	N/C
63	N/C	64	N/C

## 2.4 Power Requirements

The CPMC-1553R uses 3.3 volts and 5 volts power. VIO, +12 volts, and -12 volts are not used. The 3.3 volt supply powers the PCI interface and the 5 volt supply powers each of the ACEs. Typical current draw is at 25°C at the “Typical” power voltages. The “Maximum” current draw is over the worse case condition of voltage and temperature. Table 12 shows the power specifications for the board. Note that  $I_{5V0}$  is for each ACE installed. With two ACE chips installed double  $I_{5V0}$ .

**Table 12. Power Requirements**

Symbol	Description	Minimum	Typical	Maximum	Units
3V3	3.3V Logic Power	3.00	3.30	3.60	V
5V0	5.0V Logic Power	4.75	5.00	5.25	V
$I_{3V3}$	Current draw, 3.3V supply		.090	.120	A
$I_{5V0}$	Current draw per ACE, 5.0V supply				
	Idle		.095	.200	A
	25% transmitter duty cycle		.245	.200	
	50% transmitter duty cycle		.360	.500	
	100% transmitter duty cycle		.590	.800	

## Appendix A – List of Abbreviations

ACE	Advanced Communication Engine
BAR	Base Address Register
BC	Bus Controller
BIST	Built-In Self-Test Register
BIT	Built-In-Test
CIS	Card Information Structure
MT	Monitor Terminal
IEEE	Institute of Electrical and Electronic Engineers
I/O	Input/Output
PCI	Peripheral Component Interconnect
PCI SIG	PCI Special Interest Group
PLD	Programmable Logic Device
PMC	PCI Mezzanine Card
RAM	Random Access Memory
ROM	Read Only Memory
RT	Remote Terminal
TTL	Transistor-Transistor Logic

Vos remarques sur ce document / Your comments on this document

**Titre / Title: CPMC-1553R User's Guide**

No de référence / Reference No: **CA.DT.356-0e**  
ID production / Product ID: **9903**

ERREURS DETECTEES / ERRORS FOUND IN THIS DOCUMENT

AMELIORATIONS SUGGEREES / SUGGESTIONS FOR IMPROVEMENT TO THIS DOCUMENT

- Vos remarques et suggestions seront attentivement examinées.  
Si vous désirez une réponse écrite, veuillez indiquer votre adresse postale complète.
- Your comments will be promptly investigated by qualified technical personnel and action will be taken as required.  
If you require a written reply, furnish your complete mailing address below.

DATE:

NOM / NAME:

SOCIETE / COMPANY:

ADRESSE / ADDRESS:

Envoyer cet imprimé avec vos remarques à :  
Please mail this form with remarks to:

Thales Computers  
Technical Documentation Department  
1203 New Hope Rd  
Raleigh, NC 27609  
USA  
Tel: (+1) 919.231.8000

## Free Manuals Download Website

<http://myh66.com>

<http://usermanuals.us>

<http://www.somanuals.com>

<http://www.4manuals.cc>

<http://www.manual-lib.com>

<http://www.404manual.com>

<http://www.luxmanual.com>

<http://aubethermostatmanual.com>

Golf course search by state

<http://golfingnear.com>

Email search by domain

<http://emailbydomain.com>

Auto manuals search

<http://auto.somanuals.com>

TV manuals search

<http://tv.somanuals.com>