



**OPERATOR'S MANUAL  
MANUEL de L'UTILISATEUR  
MANUAL del OPERADOR**



**Catalog No.  
No de Cat.  
Catálogo No.  
6267-20**

**SPECIAL NOTE:** New battery packs are not fully charged. Charge your battery pack before using it for the first time and follow the charging instructions in your charger manual.

**NOTE SPÉCIALE :** Les batteries neuves ne sont pas entièrement chargées. Chargez la batterie avant de vous en servir la première fois en suivant les instructions de recharge dans le manuel qui accompagne cet outil.

**NOTA ESPECIAL:** Las baterías, cuando son nuevas, no están totalmente cargadas. Cargue su batería antes de usarla por primera vez y siga las instrucciones de carga que vienen en el manual de la herramienta.

**12 VOLT JIG SAW  
SCUE SAUTUESE 12V  
SIERRA CALADORS 12 VOLT**

**TO REDUCE THE RISK OF INJURY, USER MUST READ AND UNDERSTAND OPERATOR'S MANUAL.**

**AFIN DE RÉDUIRE LE RISQUE DE BLESSURES, L'UTILISATEUR DOIT LIRE ET BIEN COMPRENDRE LE MANUEL DE L'UTILISATEUR.**

**PARA REDUCIR EL RIESGO DE LESIONES, EL USUARIO DEBE LEER Y ENTENDER EL MANUAL DEL OPERADOR.**

## GENERAL SAFETY RULES — FOR ALL BATTERY OPERATED TOOLS



### WARNING!

#### **READ AND UNDERSTAND ALL INSTRUCTIONS.**

Failure to follow all instructions listed below, may result in electric shock, fire and/or serious personal injury.

#### **SAVE THESE INSTRUCTIONS**

### WORK AREA

1. **Keep your work area clean and well lit.** Cluttered benches and dark areas invite accidents.
2. **Do not operate power tools in explosive atmospheres, such as in the presence of flammable liquids, gases, or dust.** Power tools create sparks which may ignite the dust or fumes.
3. **Keep bystanders, children, and visitors away while operating a power tool.** Distractions can cause you to lose control. Protect others in the work area from debris such as chips and sparks. Provide barriers or shields as needed.

### ELECTRICAL SAFETY

4. **Do not abuse the cord. Never use the cord to carry the tool. Keep cord away from heat, oil, sharp edges, or moving parts. Replace damaged cords immediately.** Damaged cords may create a fire.
5. **A battery operated tool with integral batteries or a separate battery pack must be recharged only with the specified charger for the battery.** A charger that may be suitable for one type of battery may create a risk of fire when used with another battery.
6. **Use battery operated tool only with specifically designated battery pack.** Use of any other batteries may create a risk of fire.

### PERSONAL SAFETY

7. **Stay alert, watch what you are doing, and use common sense when operating a power tool. Do not use tool while tired or under the influence of drugs, alcohol, or medication.** A moment of inattention while operating power tools may result in serious personal injury.
8. **Dress properly. Do not wear loose clothing or jewelry. Contain long hair. Keep your hair, clothing, and gloves away from moving parts.** Loose clothes, jewelry, or long hair can be caught in moving parts.
9. **Avoid accidental starting. Be sure switch is in the locked or off position before inserting battery pack.** Carrying tools with your finger on the switch or inserting the battery pack into a tool with the switch on invites accidents.
10. **Remove adjusting keys or wrenches before turning the tool on.** A wrench or a key that is left attached to a rotating part of the tool may result in personal injury.
11. **Do not overreach. Keep proper footing and balance at all times.** Proper footing and balance enable better control of the tool in unexpected situations.
12. **Use safety equipment. Always wear eye protection.** Dust mask, non-skid safety shoes, hard hat, or hearing protection must be used for appropriate conditions.

### TOOL USE AND CARE

13. **Use clamps or other practical way to secure and support the workpiece to a stable platform.** Holding the work by hand or against your body is unstable and may lead to loss of control.
14. **Do not force tool. Use the correct tool for your application.** The correct tool will do the job better and safer at the rate for which it is designed.
15. **Do not use tool if switch does not turn it on or off.** A tool that cannot be controlled with the switch is dangerous and must be repaired.
16. **Disconnect battery pack from tool or place the switch in the locked or off position before making any adjustments, changing accessories, or storing the tool.** Such preventive safety measures reduce the risk of starting the tool accidentally.
17. **Store idle tools out of reach of children and other untrained persons.** Tools are dangerous in the hands of untrained users.
18. **When battery pack is not in use, keep it away from other metal objects like: paper clips, coins, keys, nails, screws, or other small metal objects that can make a connection from one terminal to another.** Shorting the battery terminals together may cause sparks, burns, or a fire.
19. **Maintain tools with care. Keep cutting tools sharp and clean.** Properly maintained tools with sharp cutting edge are less likely to bind and are easier to control.
20. **Check for misalignment or binding of moving parts, breakage of parts, and any other condition that may affect the tool's operation. If damaged, have the tool serviced before using.** Many accidents are caused by poorly maintained tools. Do not use a damaged tool. Tag damaged tools "Do not use" until repaired.
21. **Use only accessories that are recommended by the manufacturer for your model.** Accessories that may be suitable for one tool may create a risk of injury when used on another tool.





### SERVICE

22. **Tool service must be performed only by qualified repair personnel.** Service or maintenance performed by unqualified personnel may result in a risk of injury.
23. **When servicing a tool, use only identical replacement parts. Follow instructions in the Maintenance section of this manual.** Use of unauthorized parts or failure to follow Maintenance Instructions may create a risk of shock or injury.

## SPECIFIC SAFETY RULES

1. **Maintain labels and nameplates.** These carry important information. If unreadable or missing, contact a *MILWAUKEE* service facility for a free replacement.
2. **WARNING!** Some dust created by power sanding, sawing, grinding, drilling, and other construction activities contains chemicals known to cause cancer, birth defects or other reproductive harm. Some examples of these chemicals are:
  - lead from lead-based paint
  - crystalline silica from bricks and cement and other masonry products, and
  - arsenic and chromium from chemically-treated lumber.

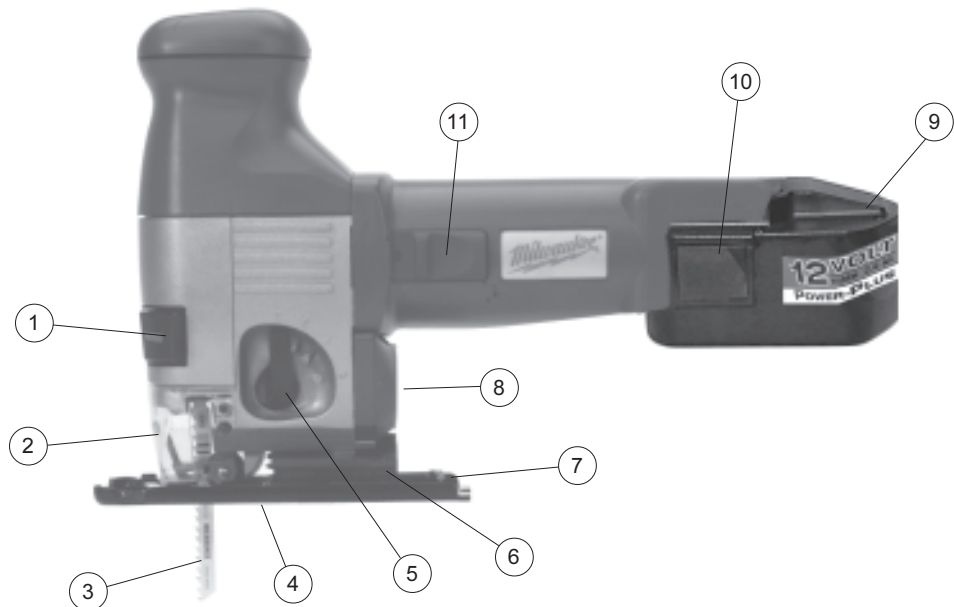
Your risk from these exposures varies, depending on how often you do this type of work. To reduce your exposure to these chemicals: work in a well ventilated area, and work with approved safety equipment, such as those dust masks that are specially designed to filter out microscopic particles.

<b>Symbology</b>	
	Volts Direct Current
<b>SPM</b> n <sub>o</sub> xxxx/min.	No Load Revolutions per Minute
 	Properly Recycle Nickel Cadmium Batteries
	Underwriters Laboratories, Inc.

<b>Specifications</b>		
Catalog No.	Volts DC	No Load RPM
6267-20	12	1700

## FUNCTIONAL DESCRIPTION

1. Quik-Lok tension lever
2. Transparent blade cover
3. Blade
4. Shoe
5. Orbital action selector lever
6. Tilt angle scale
7. Hex key
8. Vacuum manifold
9. Battery pack
10. Release buttons
11. On/Off switch



## DESCRIPTION

The *MILWAUKEE* 12 Volt Orbital Action Jig Saw can cut a wide variety of materials including metal, wood, and plastic. Cuts may be straight lines, bevels curves or internal cut-outs. Notable features of these Jig Saws include:

- Rapid blades change without tools with the Quik-Lok® blade change system.
- Adjustable Orbital Action blade stroke cuts faster by pressing the blade against the work only during upstroke. This is particularly effective when rough cutting thick wooden boards.
- Adjustable shoe can tilt up to 45° in either direction for bevel cuts.
- Built-in manifold for vacuum assisted dust collection (hose is optional).
- Transparent blade cover improves dust extraction.
- Vibration dampened mechanism permits quieter, smoother running.

## CHARGING AND USING BATTERY PACK



### WARNING!

Charge only **MILWAUKEE 12, 14.4 and 18 Volt Power Plus** battery packs in Power Plus chargers. Other types of batteries may explode causing personal injury and damage.

Charge your battery pack before using your tool for the first time and when your tool no longer performs with the power and torque needed for the job. Full loading capacity of battery pack is only reached after 4 - 5 chargings. Never completely discharge the battery pack. Standard charging time will vary according to the type of charger you use. The charging time will also vary depending on the supply voltage and charge needed. For example, if your battery pack does not require a full charge, charging time will be less.

FOR SPECIFIC CHARGING INSTRUCTIONS, PLEASE READ THE CHARGER INSTRUCTION SHEET SUPPLIED WITH YOUR CHARGER.

Battery packs are affected by temperature. Your battery pack will perform best and have longest life if it is charged when the temperature is between 60°-80°F (15°-27°C). Do not charge in temperatures below 40°F (5°C) or above 105°F (40°C). Under these conditions, capacity will be reduced. See "Maintenance".

### Removing Battery Pack from Tool (Fig. 1)

Push in the release buttons and remove the battery pack.

Fig. 1



### Inserting Battery Pack into Tool (Fig. 2)

Insert the battery pack from the back by pressing in the release buttons and sliding the battery pack into the body of the tool. Insert the battery pack until clamp engages.

Fig. 2



## TOOL ASSEMBLY



### WARNING!

Always remove battery pack before changing or removing accessories. Only use accessories specifically recommended for this tool. Others may be hazardous.

### Inserting the saw blade (Fig. 3)

1. Remove the battery pack from the tool before inserting or changing blades.
2. This tool uses only T-Shank Jig Saw blades.
3. **To install a blade**, push the Quik-Lok tension lever as far as it will go and hold in position.
4. Fit the saw blade into the slot in the support roller and push it firmly into the plunger as far as it will go (Fig. 3). The lug of the saw blade must be in the plunger.



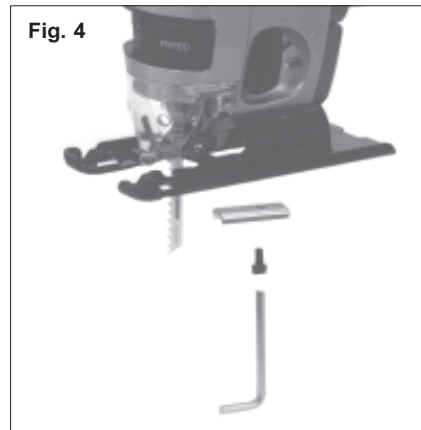
5. Release the Quik-Lok tension lever. The saw blade is automatically held in place.
6. Check that the saw blade is held firmly; the slot in the plunger will be at an angle to the saw blade.

**NOTE:** Only use the Quik-Lok tension lever when the tool is OFF.

page 4

### Adjusting the shoe (Fig. 4)

Fig. 4



The shoe may be tilted up to 45° in either direction and moved forward or backward.

1. **To set a tilt angle** for angle cuts and bevels, loosen the screw holding the shoe, pull the base backward slightly until the retaining lugs are no longer engaged. Tilt to the required preset angle (15°, 30°, or 45°) as read on the scale. Push back into the retaining lugs and tighten the screw. If angles other than the presets are required, set the desired angle and tighten the screw without engaging the retaining lugs.

**NOTE:** If very exact angles are needed it is recommended that a test cut and subsequent adjustment be made.

2. **To move the shoe back** for plunge cuts or cuts in corners, loosen the screw holding the shoe and pull the shoe completely back. The screw will fit into a slot to hold the shoe at 0°.

## OPERATION



### WARNING!

To reduce the risk of injury, wear safety goggles or glasses with side shields.

#### Starting and stopping the tool

1. To **start** the tool, push the On/Off switch forward until "I" is visible.
2. To **stop** the tool, push the On/Off switch backwards until "0" is visible.

#### Adjusting the orbital action

The amount of orbital action may be adjusted with the selector lever. In general, a large orbital action (III) should be used with soft materials and a small orbital action (I) should be used with hard materials. When a smooth cut is required, no orbit (0) should be used. Recommended orbit settings for different material compositions are shown below. The optimum orbital action should be determined by the user for their specific cutting requirements.

Wood .....	III
Metal .....	0
Plastic .....	I
Smooth Cut .....	0

**NOTE:** Orbital action may be adjusted whether the tool is running or not.

#### General cutting

1. Set the stroke and orbital action according to the material to be cut.
2. Position the tool with the front part of the shoe on workpiece and turn on tool.
3. Hold the machine firmly against the workpiece and guide it along the desired cutting line. Do not feed into the work too hard, light pressure on the saw blade will achieve the optimum cutting speed.

## APPLICATIONS

#### Special Cutting Techniques

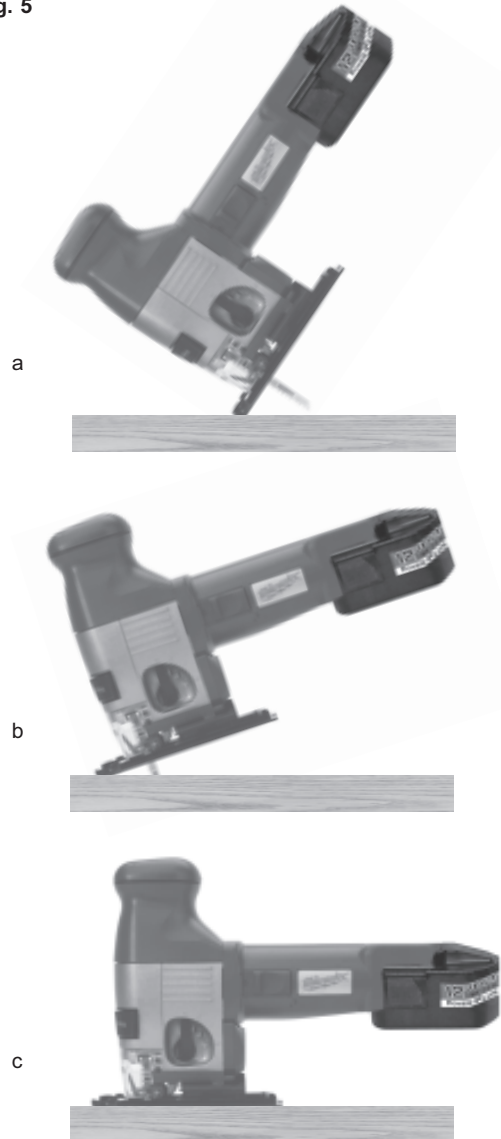
1. **Straight cuts** – To obtain a perfectly straight cut, clamp a strip of wood as a guide along the workpiece or use the parallel guide (accessory).
2. **Cutting at a bevel angle** – Adjust the shoe to the correct angle (See "Adjusting the Shoe").
3. **Cutting close to obstacles** – Move the shoe backward to provide greater clearance.
4. **Cutting Sheet Metal** – Sheet metal may vibrate when being cut. To minimize this vibration, clamp the workpiece to a wood base.

#### Plunge Cutting (Fig. 5)

The *MILWAUKEE* 12 Volt Jig Saw is well suited to making plunge cuts into soft materials without a pre-drilled hole. Harder materials require a starter hole with a diameter slightly wider than the blade.

1. To make a plunge cut, move the shoe all the way back.
2. Set the orbital action selector to 0.
3. Make sure nothing below the intended cut area will be damaged.
4. Without switching the tool on, place the front edge of the shoe solidly on workpiece (a).
5. Align the blade with the intended cut line, keeping it above the workpiece.
6. Using the front edge of the shoe as a pivot, turn the tool on and gradually lower the blade into the workpiece (b).
7. When the shoe is firmly against the workpiece, begin the cut (c).

Fig. 5



## MAINTENANCE



### WARNING!

To reduce the risk of personal injury, always unplug the charger and remove the battery pack from the charger or tool before performing any maintenance. Never disassemble the tool, battery pack or charger. Contact a **MILWAUKEE** service facility for ALL repairs.

### Maintaining Tool

Keep your tool, battery pack and charger in good repair by adopting a regular maintenance program. After six months to one year, depending on use, return the tool, battery pack and charger to a **MILWAUKEE** service facility for:

- Lubrication
- Brush inspection and replacement
- Mechanical inspection and cleaning (gears, spindles, bearings, housing, etc.)
- Electrical inspection (battery pack, charger, motor)
- Testing to assure proper mechanical and electrical operation

If the tool does not start or operate at full power with a fully charged battery pack, clean the contacts on the battery pack. If the tool still does not work properly, return the tool, charger and battery pack to a **MILWAUKEE** service facility for repairs.

### Maintaining Battery Pack

**MILWAUKEE** battery packs will operate for many years and/or hundreds of cycles when they are maintained and used according to these instructions.

A battery pack that is stored for six months without being used will discharge itself. Batteries discharge at a rate of about 1% per day. Charge the battery every six months even if it is unused to maximize battery life. Do not tape the trigger in the "ON" position and leave the tool unattended as this may discharge the battery to a point where it will no longer be able to recharge. Use a **MILWAUKEE** battery pack only until it no longer performs with the power and torque needed for your application.

Store your battery pack in a cool, dry place. Do not store it where the temperature may exceed 120°F (50°C) such as in a vehicle or metal building during the summer. High temperatures will overheat the battery pack, reducing battery life. If it is stored for several months, the battery pack will gradually lose its charge. One to three cycles of charging and discharging through normal use will restore the capacity of the battery pack. During the life of the battery pack, the operating time between charges becomes shorter. If the operating time becomes extremely short after a proper charge, the usable life of the battery pack has been reached and it should be replaced.

### Cleaning

Clean dust and debris from charger and tool vents. Keep tool handles clean, dry and free of oil or grease. Use only mild soap and a damp cloth to clean the tool, battery pack and charger since certain cleaning agents and solvents are harmful to plastics and other insulated parts. Some of these include gasoline, turpentine, lacquer thinner, paint thinner, chlorinated cleaning solvents, ammonia and household detergents containing ammonia. Never use flammable or combustible solvents around tools.



### WARNING!

To reduce the risk of personal injury and damage, never immerse your tool, battery pack or charger in liquid or allow a liquid to flow inside them.



### WARNING!

To reduce the risk of explosion, never burn a battery pack even if it is damaged, dead or completely discharged.

### RBRC Battery Recycling Seals

The RBRC™ Battery Recycling Seals (see "Symbology") on your tool battery packs indicate that **MILWAUKEE** has arranged for the recycling of that battery pack with the Rechargeable Battery Recycling Corporation (RBRC). At the end of your battery pack's useful life, return the battery pack to a **MILWAUKEE** Branch Office/Service Center or the participating retailer nearest you. For more information, visit the RBRC web site at [www.rbrc.org](http://www.rbrc.org).

### Disposing of Nickel-Cadmium Battery Packs

Nickel-Cadmium battery packs are recyclable. Under various state and local laws, it may be illegal to dispose of this battery into the municipal waste stream. Dispose of your battery pack according to federal, state and local regulations.

### Repairs

For repairs, return the tool, battery pack and charger to the nearest service center listed on the back cover of this operator's manual.

### Battery Pack Warranty

Battery packs for cordless tools are warranted for one year from the date of purchase.

## WARRANTY

Every **MILWAUKEE** product is warranted to be free from defects in material and workmanship. **MILWAUKEE** will repair or replace any product which examination proves to be defective in material or workmanship.

**Limitations:** This warranty does not cover: 1) repairs made or attempted by other than **MILWAUKEE** or **MILWAUKEE** Authorized Service Station personnel; 2) normal wear and tear; 3) abuse; 4) misuse; 5) improper maintenance; 6) continued use after partial failure; 7) tools that have been modified; or product used with an improper accessory.

Battery Packs are warranted for one (1) year from the date of purchase.

Should a problem develop, return the complete product to any **MILWAUKEE** Factory Service Center or **MILWAUKEE** Authorized Service Station, freight prepaid and insured. If inspection shows the problem is caused by a defect in material or workmanship, all repairs or a replacement will be made at no charge and the product will be returned, transportation prepaid. No other warranty, written or verbal, is authorized.

THE REPAIR AND REPLACEMENT REMEDIES DESCRIBED HEREIN ARE EXCLUSIVE. IN NO EVENT SHALL **MILWAUKEE** BE LIABLE FOR ANY INCIDENTAL, SPECIAL, OR CONSEQUENTIAL DAMAGES, INCLUDING LOSS OF PROFITS.

THIS WARRANTY IS IN LIEU OF ALL OTHER WARRANTIES, EXPRESSED OR IMPLIED WHETHER FOR MERCHANTABILITY OR FITNESS FOR PARTICULAR USE OR PURPOSE.

**This warranty gives you specific legal rights. You may also have other rights that vary from state to state. In those states that do not allow the exclusion of implied warranties or limitations of incidental or consequential damages, the above limitations or exclusions may not apply to you.**

## ACCESSORIES



### WARNING!

Always remove battery pack before changing or removing accessories. Only use accessories specifically recommended for this tool. Others may be hazardous.

For a complete listing of accessories refer to your *MILWAUKEE* Electric Tool catalog. To obtain a catalog, contact your local distributor or a service center listed on the back cover of this operator's manual.

### 12 Volt Power Plus Battery Packs

Fits *MILWAUKEE* Charger Cat. No. 48-59-0255.

Cat. No. 48-11-1960

#### 1.3 Amp-Hours

Catalog No. 48-11-1960

#### 2.4 Amp-Hours

Catalog No. 48-11-1970



### Power Plus Chargers 120 Volt

For charging 12-18 Volt Power Plus Battery Packs.

#### 1-Hour Vehicle Charger

Catalog No. 48-59-0186

#### 1-Hour Universal Charger

Catalog No. 48-59-0255



Cat. No. 48-59-0186

### Anti-Splintering Device

Catalog No. 48-08-0531

### Vacuum Hose

Catalog No. 48-09-1040

The vacuum hose may be attached to the built in manifold to aid in removing sawdust from the cutting area. The transparent cover must be attached for efficient vacuum action.

### Shoe Cover

Catalog No. 48-08-0533

### Combination Rip and Circle Guide

Catalog No. 49-22-4250



Cat. No. 48-59-0255

## RÈGLES DE SÉCURITÉ GÉNÉRALES POUR TOUS LES OUTILS À BATTERIE



### AVERTISSEMENT!

#### **VOUS DEVEZ LIRE ET COMPRENDRE TOUTES LES INSTRUCTIONS.**

Le non-respect, même partiel, des instructions ci-après entraîne un risque de choc électrique, d'incendie et/ou de blessures graves.

#### **CONSERVEZ CES INSTRUCTIONS**

### AIRE DE TRAVAIL

1. **Veillez à ce que l'aire de travail soit propre et bien éclairée.** Le désordre et le manque de lumière favorisent les accidents.
2. **N'utilisez pas d'outils électriques dans une atmosphère explosive, par exemple en présence de liquides, de gaz ou de poussières inflammables.** Les outils électriques créent des étincelles qui pourraient enflammer les poussières ou les vapeurs.
3. **Tenez à distance les curieux, les enfants et les visiteurs pendant que vous travaillez avec un outil électrique.** Ils pourraient vous distraire et vous faire faire une fausse manoeuvre. Installez des barrières ou des écrans protecteurs si nécessaires.

### SÉCURITÉ ÉLECTRIQUE

4. **Ne maltraitez pas le cordon. Ne transportez pas l'outil par son cordon. N'exposez pas le cordon à la chaleur, à des huiles, à des arêtes vives ou à des pièces en mouvement. Remplacez immédiatement un cordon endommagé.** Un cordon endommagé peut constituer un risque d'incendie.
5. **Un outil à bloc-batterie amovible ou à batterie intégrée ne doit être rechargé qu'avec le chargeur prévu pour la batterie.** Un chargeur qui convient à tel type de batterie peut présenter un risque d'incendie avec tel autre type de batterie.
6. **N'utilisez un outil qu'avec un bloc-batterie conçu spécifiquement pour lui.** L'emploi d'un autre bloc-batterie peut créer un risque d'incendie.

### SÉCURITÉ DES PERSONNES

7. **Restez alerte, concentrez-vous sur votre travail et faites preuve de jugement. N'utilisez pas un outil électrique si vous êtes fatigué ou sous l'influence de drogues, d'alcool ou de médicaments.** Un instant d'inattention suffit pour entraîner des blessures graves.
8. **Habillez-vous convenablement. Ne portez ni vêtements flottants ni bijoux. Confinez les cheveux longs. N'approchez jamais les cheveux, les vêtements ou les gants des pièces en mouvement.** Des vêtements flottants, des bijoux ou des cheveux longs risquent d'être happés par des pièces en mouvement.
9. **Méfiez-vous d'un démarrage accidentel. Avant d'insérer un bloc-batterie, assurez-vous que l'interrupteur de l'outil est sur ARRÊT.** Le fait de transporter un outil avec le doigt sur la détente ou d'insérer un bloc-batterie alors que l'interrupteur est en position MARCHE peut mener tout droit à un accident.
10. **Enlevez les clés de réglage ou de serrage avant de démarrer l'outil.** Une clé laissée dans une pièce tournante de l'outil peut provoquer des blessures.
11. **Ne vous penchez pas trop en avant. Maintenez un bon appui et restez en équilibre en tout temps.** Une bonne stabilité vous permet de mieux réagir à une situation inattendue.
12. **Utilisez des accessoires de sécurité. Portez toujours des lunettes ou une visière.** Selon les conditions, portez aussi un masque antipoussière, des bottes de sécurité antidérapantes, un casque protecteur et/ou un appareil antibruit.

13. **Immobilisez le matériau sur une surface stable au moyen de brides ou de toute autre façon adéquate.** Le fait de tenir la pièce avec la main ou contre votre corps offre une stabilité insuffisante et peut amener un dérapage de l'outil.

### UTILISATION ET ENTRETIEN DES OUTILS

14. **Ne forcez pas l'outil. Utilisez l'outil approprié à la tâche.** L'outil correct fonctionne mieux et de façon plus sécuritaire. Respectez aussi la vitesse de travail qui lui est propre.
15. **N'utilisez pas un outil si son interrupteur est bloqué.** Un outil que vous ne pouvez pas commander par son interrupteur est dangereux et doit être réparé.
16. **Retirez le bloc-batterie ou mettez l'interrupteur sur ARRÊT ou en position verrouillée avant d'effectuer un réglage, de changer d'accessoire ou de ranger l'outil.** De telles mesures préventives réduisent le risque de démarrage accidentel de l'outil.
17. **Rangez les outils hors de la portée des enfants et d'autres personnes inexpérimentées.** Les outils sont dangereux dans les mains d'utilisateurs novices.
18. **Lorsque le bloc-batterie n'est pas en service, tenez-le à l'écart d'autres objets métalliques (trombones, pièces de monnaie, clés, clous, vis, etc.) susceptibles d'établir un contact électrique entre les deux bornes.** La mise en court-circuit des bornes de la batterie peut produire des étincelles et constitue un risque de brûlures ou d'incendie.
19. **Prenez soin de bien entretenir les outils. Les outils de coupe doivent être toujours bien affûtés et propres.** Des outils bien entretenus, dont les arêtes sont bien tranchantes, sont moins susceptibles de coincer et plus faciles à diriger.
20. **Soyez attentif à tout désalignement ou coincement des pièces en mouvement, à tout bris ou à toute autre condition préjudiciable au bon fonctionnement de l'outil. Si vous constatez qu'un outil est endommagé, faites-le réparer avant de vous en servir.** De nombreux accidents sont causés par des outils en mauvais état. Fixez-y une étiquette marquée « Hors d'usage » jusqu'à ce qu'il soit réparé.
21. **N'utilisez que des accessoires que le fabricant recommande pour votre modèle d'outil.** Certains accessoires peuvent convenir à un outil, mais être dangereux avec un autre.

### RÉPARATION




22. **La réparation des outils électriques doit être confiée à un réparateur qualifié.** L'entretien ou la réparation d'un outil électrique par un amateur peut avoir des conséquences graves.
23. **Pour la réparation d'un outil, n'employez que des pièces de rechange d'origine. Suivez les directives données à la section « Réparation » de ce manuel.** L'emploi de pièces non autorisées ou le non-respect des instructions d'entretien peut créer un risque de choc électrique ou de blessures.



## RÈGLES DE SÉCURITÉ PARTICULIÈRE

1. **Entretenez les étiquettes et marques du fabricant.** Les indications qu'elles contiennent sont précieuses. Si elles deviennent illisibles ou se détachent, faites-les remplacer gratuitement à un centre de service *MILWAUKEE* accrédité.
2. **AVERTISSEMENT!** La poussière dégagée par perçage, sciage et autres travaux de construction contient des substances chimiques reconnues comme pouvant causer le cancer, des malformations congénitales ou d'autres troubles de reproduction. Voici quelques exemples de telles substances :
  - Le plomb contenu dans la peinture au plomb.
  - Le silice cristallin contenu dans la brique, le béton et divers produits de maçonnerie.
  - L'arsenic et le chrome servant au traitement chimique du bois.

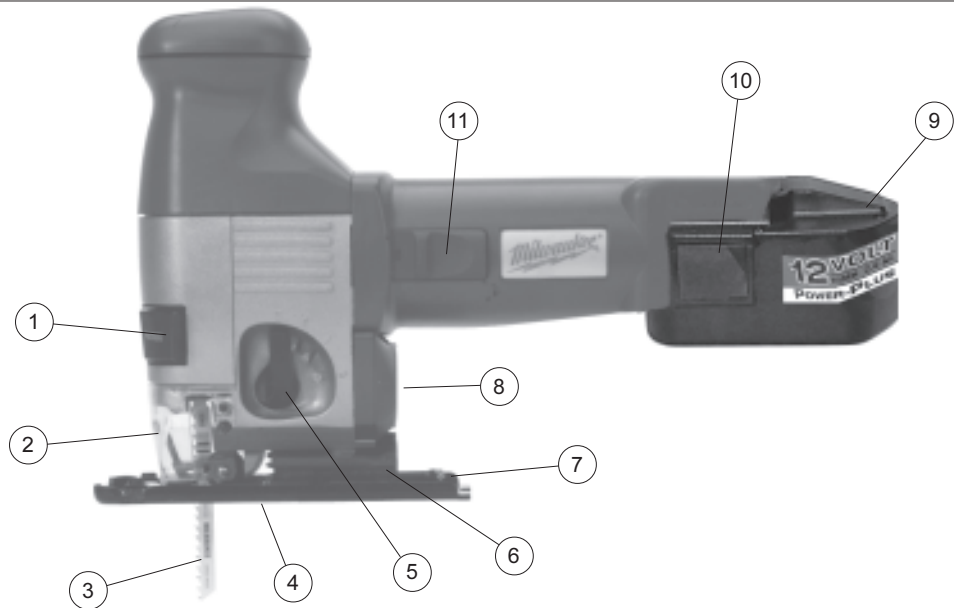
Les risques associés à l'exposition à ces substances varient, dépendant de la fréquence des travaux. Afin de minimiser l'exposition à ces substances chimiques, assurez-vous de travailler dans un endroit bien aéré et d'utiliser de l'équipement de sécurité tel un masque antipoussière spécifiquement conçu pour la filtration de particules microscopiques.

Pictographie	
	Tension CD seul.
<b>SPM</b> n <sub>o</sub> xxxx/min.	Tours-minute à vide
	Disposez correctement des batteries au nickel-cadmium
	Underwriters Laboratories, Inc.

Spécifications		
No de Cat.	Volts CD	Tr/min. à vide
6267-20	12	1 700

## DESCRIPTION FONCTIONNELLE

1. Levier de tension Quik-Lok
2. Chape de lame transparente
3. Lame
4. Semelle
5. Réglage du mouvement orbital
6. Échelle d'inclinaison de semelle
7. Clé hex
8. Collecteur de sciure
9. Batterie
10. Boutons dégagement
11. Interrupteur On/Off



## DESCRIPTION

La *MILWAUKEE* scie sauteuse 12V à mouvement orbital peut couper une grande variété de matériaux y compris les bois, métaux et plastiques. Les coupes peuvent être droites, en biseau ou en découpage. Les caractéristiques remarquables de cette scie sauteuse comprennent:

- Changement de lame rapide sans l'aide d'outils, grâce au système de changement de lame Quik-Lok®.
- Le mouvement orbital réglable de la lame assure une coupe plus rapide car la lame mord dans le matériau en remontant seulement. Cette technique est particulièrement utile pour dégrossir les planches de bois.
- Semelle inclinable à 45° de deux côtés pour les coupes en biseau.
- Collecteur intégré pour l'installation d'un aspirateur de poussière (Boyau facultatif).
- Chape de lame transparente facilitant l'évacuation de sciure.
- Mécanisme antivibration assurant un roulement plus doux et plus silencieux.

## RECHARGE ET USAGE DE LA BATTERIE

### **AVERTISSEMENT!**

Seules les batteries **MILWAUKEE Power Plus** de 12V, 14,4V et 18V doivent être rechargées avec le chargeur de batterie Power Plus. D'autres types de batteries pourraient exploser et causer des dommages et des blessures corporelles.

Rechargez la batterie avant de vous servir de l'outil la première fois, ou lorsque l'outil n'offre plus la puissance et le couple nécessaires au travail à accomplir. Ne laissez jamais la batterie s'épuiser complètement. Les batteries neuves n'atteignent leur puissance maximale qu'après 4 ou 5 cycles de recharge-décharge. La durée normale de recharge est variable selon le type de chargeur utilisé. Elle peut aussi varier selon le voltage à la source et la recharge nécessaire. Par exemple, si la batterie n'a pas besoin d'une recharge complète, la durée de recharge sera moindre.

VEUILLEZ CONSULTER LA FEUILLE D'INSTRUCTIONS QUI ACCOMPAGNE LE CHARGEUR POUR CONNAÎTRE EN DÉTAIL LA TECHNIQUE DE RECHARGE.

Les batteries sont affectées par la température. La vôtre aura un meilleur rendement et durera plus longtemps si la recharge est effectuée à une température se situant entre 15°-27°C (60°F à 80°F). Ne procédez pas à une recharge lorsque la température est inférieure à 5°C (40°F) ou supérieure à 40°C (105°F), car à ces températures, la recharge sera moins efficace. Voir « Maintenance ».

### Retrait de la batterie de l'outil (Fig. 1)

Appuyez sur les boutons de dégagement et retirez la batterie.



### Introduction de la batterie dans l'outil (Fig. 2)

Introduisez la batterie par l'arrière en appuyant sur les boutons de dégagement et en la glissant dans le corps de l'outil pour qu'elle s'enclenche.



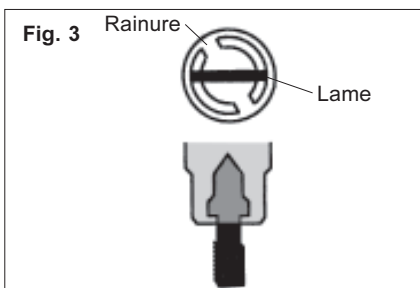
## MONTAGE DE L'OUTIL

### **AVERTISSEMENT!**

Il faut toujours verrouiller la détente de l'outil avant de changer ou d'enlever les accessoires. L'emploi d'accessoires autres que ceux qui sont expressément recommandés pour cet outil peut comporter des risques.

### Insertion de la lame de scie (Fig. 3)

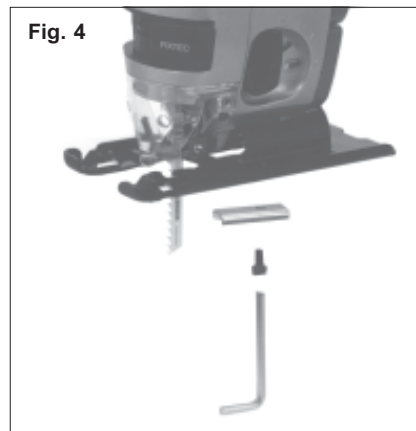
1. Débranchez l'outil avant d'y insérer la lame ou de la remplacer.
2. Cet outil n'emploie que des lames de scie sauteuse à tenon en T.
3. **Pour installer une lame**, poussez le levier de tension Quik-Lok aussi loin que possible et maintenez-le en place.
4. Insérez la lame dans la rainure du galet d'appui et poussez-la fermement dans le piston aussi loin que possible (Fig. 3). Le talon de la lame doit être inséré dans le piston.



5. Relâchez le levier de tension Quik-Lok et la lame sera maintenue en place automatiquement.
6. Assurez-vous que la lame soit bien fixée. La rainure dans le piston devra être à angle droit de la lame.

**NOTE:** Avant d'utiliser le levier de tension Quik-Lok, placez l'interrupteur à la position OFF.

### Réglage de la semelle (Fig. 4)



La semelle peut être inclinée jusqu'à 45° d'un côté comme de l'autre. Elle peut aussi être poussée vers l'avant ou l'arrière.

1. **Choix de l'inclinaison** pour les coupes à angle et les biseaux, desserrez la vis de blocage de la semelle, poussez la base légèrement vers l'arrière jusqu'à ce que les crans se dégagent. Inclinez la semelle à l'angle de réglage choisi de 15°, 30° ou 45° indiqué à l'échelle. Replacez la base dans ses crans et serrez la vis de blocage. Si des angles différents de ceux qui figurent à l'échelle sont requis, inclinez la semelle à l'angle requis et serrez la vis de blocage sans replacer la base dans ses crans.

**NOTE:** Si un angle très précis est requis, il est recommandé d'effectuer une coupe d'essai et de revoir le réglage, si nécessaire.

2. **Déplacement de la semelle vers l'arrière** les coupes en plongée ou en coin, desserrez la vis de blocage de la semelle et poussez la semelle complètement vers l'arrière. La vis pourra alors s'engager dans une rainure pour maintenir la semelle à la position 0°.



**AVERTISSEMENT!**

Pour minimiser les risques de blessures, portez des lunettes à coques latérales.

**Démarrage et arrêt de l'outil**

1. Pour **mettre** l'outil en marche, poussez l'interrupteur « ON/OFF » en avant pour que la lettre I apparaisse.
2. Pour **arrêter** l'outil, poussez l'interrupteur « ON/OFF » vers l'arrière pour que la lettre O apparaisse.

**Réglage du mouvement orbital**

L'ampleur du mouvement orbital peut être réglée à l'aide du levier sélecteur. En général, un mouvement orbital ample (III) est recommandé pour les matériaux mous, tandis qu'un mouvement orbital restreint (I) convient aux matériaux durs. Si une coupe lisse est requise, il faut employer le réglage (0) à mouvement orbital restreint. Les réglages du mouvement orbital recommandables pour divers matériaux sont présentés ci-dessous. Le mouvement orbital idéal devrait être déterminé par l'utilisateur selon les tâches spécifiques.

Bois .....	III
Métal .....	0
Plastique .....	I
Coupe lisse .....	0

**NOTE:** Le mouvement orbital peut être réglé même si l'outil est en marche.

**Coupe généralités**

1. Réglez la fréquence des cycles et le mouvement orbital selon le matériau à couper.
2. Placez la partie avant de la semelle sur le matériau et mettez l'outil en marche.
3. Tenez l'outil fermement sur le matériau et guidez-le sur la ligne de coupe. Ne forcez pas trop l'outil dans le matériau, une pression légère sur la lame assurera la vitesse de coupe optimale.

APPLICATIONS

**Techniques de coupe spéciales**

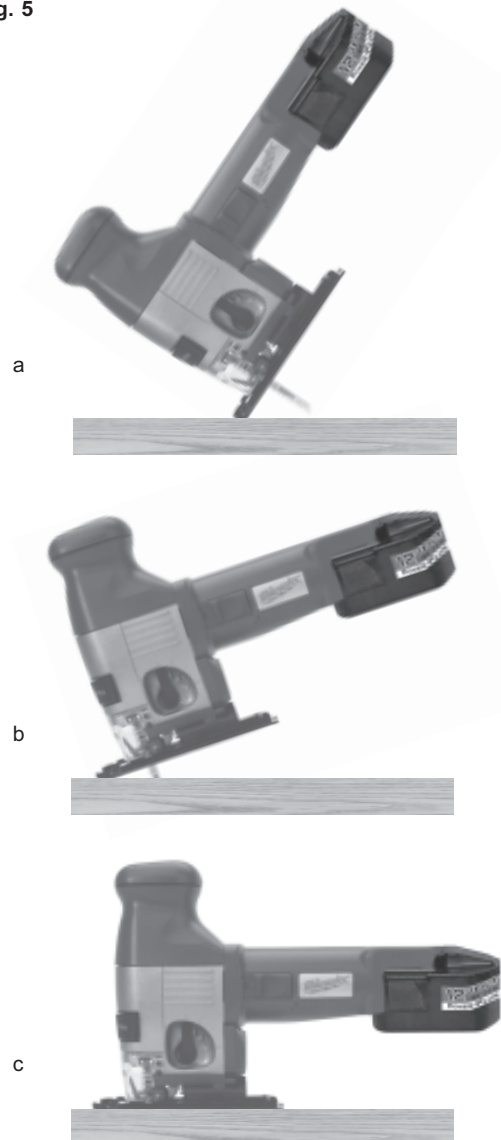
1. **Coupes rectilignes** – Pour réussir des coupes parfaitement droites, fixez une languette de bois sur le matériau pour vous en servir comme guide ou utilisez un guide-coupe parallèle (en accessoire).
2. **Coupe en biseau** – Ajustez la semelle à l'angle voulu (Voir "Réglage de la semelle").
3. **Coupe près des obstacles** – Poussez la semelle vers l'arrière afin d'augmenter la maniabilité de la lame.
4. **Coupe de tôle** – Le métal en feuille peut vibrer durant la coupe. Pour minimiser la vibration, fixez la feuille de tôle sur une base en bois.

**Coupe en plongée (Fig. 5)**

Les scies sauteuses MILWAUKEE 12V sont idéales pour faire des coupes en plongée dans les matériaux mous, sans qu'il soit nécessaire de percer un trou-guide. Cependant, pour les matériaux durs, il est nécessaire de percer un trou-guide d'un diamètre légèrement supérieur à la largeur de la lame.

1. Pour réussir une coupe en plongée, poussez la semelle de la scie complètement vers l'arrière.
2. Réglez le mouvement orbital à la position 0.
3. Assurez-vous que rien ne pourra être endommagé par la lame sous la surface du matériau.
4. Avant de mettre l'outil en marche, posez fermement le bord avant de la semelle de la scie sur le matériau (a).
5. Alignez la lame sur la ligne de coupe mais maintenez-la au-dessus du matériau.
6. En vous servant du bord avant de la semelle comme appui, pressez sur la détente et abaissez graduellement la lame dans le matériau (b).
7. Lorsque la semelle sera rendue fermement à plat sur le matériau, continuez la coupe de façon normale (c).

Fig. 5





**AVERTISSEMENT!**

**Pour minimiser les risques de blessures corporelles, débranchez le chargeur et retirez la batterie du chargeur ou de l'outil avant d'y effectuer des travaux d'entretien. Ne démontez jamais l'outil, la batterie ou le chargeur. Pour toute réparation, consultez un centre de service MILWAUKEE accrédité.**

**Entretien de l'outil**

Gardez l'outil, la batterie et le chargeur en bon état en adoptant un programme d'entretien ponctuel. Après une période de six mois à un an, selon l'utilisation, renvoyez l'outil, la batterie et le chargeur à un centre de service MILWAUKEE accrédité pour les services suivants:

- Lubrification
- Inspection et remplacement des balais
- Inspection et nettoyage de la mécanique (engrenages, pivots, coussinets, boîtier etc.)
- Inspection électrique (batterie, chargeur, moteur)
- Vérification du fonctionnement électromécanique

Si l'outil ne démarre pas ou ne fonctionne pas à pleine puissance alors qu'il est branché sur une batterie complètement chargée, nettoyez les points de contact entre la batterie et l'outil. Si l'outil ne fonctionne toujours pas correctement, renvoyez l'outil, le chargeur et la batterie à un centre de service MILWAUKEE accrédité, afin qu'on en effectue la réparation.

**Entretien de la batterie**

Les batteries MILWAUKEE sont conçues pour durer plusieurs années et/ou des milliers de cycles lorsqu'elles sont bien entretenues et utilisées selon les instructions de ce manuel.

Une batterie qui est rangée durant six mois perdra sa charge si elle n'est pas utilisée. Les batteries se déchargent selon un taux d'environ 1% par jour. Rechargez la batterie tous les six mois, même si elle n'est pas utilisée, cela prolongera sa durée. Ne maintenez pas la détente d'interrupteur à la position « ON » à l'aide d'un ruban adhésif et ne laissez pas l'outil sans surveillance car cela pourrait décharger la batterie à un point tel qu'il deviendra impossible de la recharger. Employez une batterie MILWAUKEE aussi longtemps qu'elle fournira la puissance requise.

Rangez la batterie dans un endroit frais et sec. Ne la rangez pas dans un endroit où la température pourrait excéder 50°C (120°F), dans un véhicule ou une structure d'acier, l'été par exemple. Les températures élevées provoquent la surchauffe de la batterie et en réduisent la durée. Si la batterie est rangée pour une période de plusieurs mois, elle perdra graduellement sa charge. Cependant, après plusieurs cycles de recharge et de décharge en période d'utilisation normale, elle retrouvera sa charge initiale. Avec le temps, les intervalles entre les recharges de la batterie deviendront de plus en plus courts. Lorsque ces intervalles, devenus trop courts, rendront l'outil inutilisable, il faudra remplacer la batterie.

**Nettoyage**

Débarrassez les événements du chargeur et de l'outil des débris et de la poussière. Gardez les poignées de l'outil propres, à sec et exemptes d'huile ou de graisse. Le nettoyage de l'outil, du chargeur et de la batterie doit se faire avec un linge humide et un savon doux. Certains nettoyants tels l'essence, la térébenthine, les diluants à laque ou à peinture, les solvants chlorés, l'ammoniaque et les détergents d'usage domestique qui en contiennent pourraient détériorer le plastique et l'isolation des pièces. Ne laissez jamais de solvants inflammables ou combustibles auprès de l'outil.



**AVERTISSEMENT!**

**Pour minimiser les risques de blessures ou de dommages à l'outil, n'immergez jamais l'outil, la batterie ou le chargeur et ne laissez pas de liquide s'y infiltrer.**



**AVERTISSEMENT!**

**Pour minimiser les risques d'explosion ne faites jamais brûler une batterie, même si elle est avariée, âgée ou complètement épuisée.**

**Sceaux de recyclage pour pile RBRC**

Les sceaux de recyclage pour piles RBRC™ (voir la « Pictographie ») sur la pile de votre outil, indiquent que MILWAUKEE a pris des dispositions avec Rechargeable Battery Recycling Corporation (RBRC) pour le recyclage de ce bloc de piles. Lorsque la vie utile de ce bloc de pile est épuisée, retournez-le à une succursale ou à un centre de service MILWAUKEE, ou au détaillant participant le plus près de chez vous. Pour obtenir plus d'informations, visitez le site Web RBRC au [www.rbrc.org](http://www.rbrc.org).

**Disposition des batteries au nickel-cadmium**

Les batteries au nickel-cadmium doivent être traitées comme les déchets dangereux. On doit en disposer conformément aux règlements fédéraux, provinciaux et locaux.

**Réparations**

Pour les réparations, retournez outil, batterie et chargeur au centre-service MILWAUKEE le plus près selon la liste apparaissant à la dernière page de ce manuel.

**Garantie des batteries**

Les batteries pour outils sans cordon sont garanties pour un an à compter de la date d'achat.

**GARANTIE**

Chaque produit MILWAUKEE porte la garantie d'être exempt de défauts de matériaux ou de fabrication. MILWAUKEE réparera ou remplacera tout produit porteur de défauts de matériaux ou de fabrication.

**Limites :** La présente garantie ne s'applique pas dans les cas suivants : (1) Des réparations ont été effectuées ou tentées par d'autres personnes que des techniciens mandatés par MILWAUKEE ou ses centres de service accrédités. (2) Les réparations sont rendues nécessaires par l'usure normale de l'outil. (3) L'outil a été employé abusivement. (4) L'outil a servi à un usage anormal. (5) L'outil a reçu un entretien inadéquat. (6) L'outil a été utilisé après une défaillance partielle. (7) L'outil a été modifié ou employé avec un accessoire incompatible.

Les batteries sont garanties pour un (1) an à compter de la date d'achat.

Si il survient un trouble, retournez l'outil au complet port payé à une succursale de service MILWAUKEE ou un centre de service MILWAUKEE accrédité. Si l'examen de l'outil démontre que le trouble est dû à un défaut de fabrication ou de matériaux, les réparations seront effectuées gratuitement et l'outil vous sera retourné aux frais de MILWAUKEE. Nulle autre forme de garantie, écrite ou verbale, n'est autorisée.

**LES RÉPARATIONS OU REMPLACEMENTS DÉCRITS CI-DESSUS SONT EXCLUSIFS. MILWAUKEE NE SAURAIT, EN AUCUN CAS, ÊTRE TENUE RESPONSABLE DES DOMMAGES INCIDENTS, SPÉCIAUX OU CONSÉCUTIFS, Y COMPRIS LA PERTE DE REVENUS.**

**LA PRÉSENTE GARANTIE ANNULE ET REMPLACE TOUTE AUTRE GARANTIE, EXPRESSE OU IMPLICITE, DE QUALITÉ MARCHANDE OU D'APTITUDE À UN USAGE OU À UN BUT PARTICULIER.**

**La présente garantie vous confère des droits juridiques spécifiques. Vous pouvez avoir d'autres droits variant d'un état à l'autre. Dans ces états qui ne permettent pas l'exclusion de garanties implicites ou de limites de dommages incidents ou consécutifs, il se peut que les exclusions ou limites de la présente garantie ne soient pas applicables.**



**AVERTISSEMENT!**

Il faut toujours retirer la batterie et verrouiller la détente de l'outil avant de changer ou d'enlever les accessoires. L'emploi d'accessoires autres que ceux qui sont expressément recommandés pour cet outil peut comporter des risques.

Consultez la liste complète des accessoires dans le catalogue d'outils électriques *MILWAUKEE*. Pour vous procurer le catalogue *MILWAUKEE*, adressez-vous à votre distributeur local ou à un centre-service *MILWAUKEE* accrédité. Reportez-vous à la dernière page de ce manuel pour connaître l'adresse du centre-service le plus près.

**Batterie Power Plus 12V**

Convient aux chargeurs *MILWAUKEE* No de catalogue 48-59-0255.

Cat. No. 48-11-1960

**1,3 Amp - Heure**

No de catalogue 48-11-1960

**2,4 Amp - Heure**

No de catalogue 48-11-1970



**Chargeur Power Plus 120V**

Pour la recharge des batteries Power Plus de 12, 14,4 et 18 V.

**Chargeur-automobile 1 heure**

No de catalogue 48-59-0186

**Chargeur universel 1 heure**

No de catalogue 48-59-0255



Cat. No. 48-59-0186

**Dispositif anti-éclats**

No de Cat. 48-08-0531

**Boyau aspirateur**

No de Cat. 48-09-1040

Le boyau aspirateur peut être raccordé au collecteur de sciure pour favoriser l'évacuation de la sciure de la ligne de coupe. La chape transparente doit être installée pour assurer une bonne succion.

**Semelle de chape**

No De Cat. 48-08-0533

**Guide-coupe parallèle ou circulaire**

No de Cat. 49-22-4250



Cat. No. 48-59-0255

## INSTRUCCIONES GENERALES DE SEGURIDAD - PARA LAS HERRAMIENTAS A BATERIAS



**¡ADVERTENCIA!**

### LEA Y ENTIENDA TODAS LAS INSTRUCCIONES.

Se debe seguir todas las instrucciones a continuación para evitar una descarga eléctrica, incendio y/o lesiones graves.

### GUARDE ESTAS INSTRUCCIONES

#### AREA DE TRABAJO

1. **Mantenga el área de trabajo limpia e iluminada.** Las mesas de trabajo desordenadas y las áreas con poca iluminación propician los accidentes.
2. **No opere las herramientas con motor en ambientes explosivos, tales como los ambientes con líquidos, gases o polvo inflamables.** Las herramientas con motor producen chispas que pueden inflamar el polvo o los gases.
3. **Mantenga a las personas alejadas mientras esté utilizando una herramienta con motor.** Las distracciones pueden causar la pérdida del control de la herramienta. Proteja a las demás personas en el área de trabajo contra escombros, tales como astillas y chispas. Instale barreras si se necesitan.

#### SEGURIDAD ELECTRICA

4. **No utilice los cordones de manera inadecuada. Nunca transporte la herramienta por el cordón. Mantenga el cordón alejado del calor, aceite, bordes afilados o partes en movimiento. Sustituya los cordones dañados inmediatamente.** Los cordones dañados pueden causar un incendio.
5. **Una herramienta con baterías incorporadas o con una batería separada debe ser recargada solamente con el cargador específico para este tipo de batería.** Un cargador que es apropiado para un tipo de batería puede producir riesgo de incendio si se usa con otra batería.
6. **Use la herramienta a batería solamente con la batería específicamente designada para ella.** El uso de cualquier otro tipo de batería puede producir riesgo de incendio.

#### SEGURIDAD PERSONAL

7. **Ponga mucha atención, fíjese en lo que hace y use su sentido común al operar una herramienta con motor. No use la herramienta cuando esté cansado o bajo la influencia del alcohol, drogas o medicamentos.** Descuidarse por sólo un momento cuando se esté utilizando la herramienta, puede resultar en lesiones graves.
8. **Vístase apropiadamente. No lleve ropa o joyas sueltas. Mantenga el pelo largo recogido. Mantenga el cabello, la ropa y los guantes alejados de las partes móviles.** Las ropas sueltas, las joyas, o el cabello largo pueden engancharse en las partes móviles.
9. **Evite el encendido accidental de la herramienta. Asegúrese que el gatillo esté bloqueado o apagado antes de insertar la batería.** Llevar la herramienta con el dedo sobre el gatillo o insertar la batería en una herramienta con el gatillo encendido, aumenta el riesgo de accidentes.
10. **Saque las llaves antes de encender la herramienta.** Una llave sujeta a una parte en movimiento puede causar lesiones.
11. **No se aleje demasiado del material de trabajo. Siempre mantenga el equilibrio.** El equilibrio correcto permite el mejor control de la herramienta durante situaciones inesperadas.
12. **Utilice el equipo de seguridad. Siempre utilice la protección para los ojos.** Se debe usar una máscara contra el polvo, zapatos de seguridad antidielizantes, casco y protector para los oídos, cuando las condiciones así lo requieran.

#### EL USO Y MANTENIMIENTO DE LA HERRAMIENTA

13. **Utilice abrazaderas u otra manera práctica para sujetar y apoyar el material en una plataforma estable.** Tener el material en la mano o contra el cuerpo es inestable y puede causar la pérdida del control.
14. **No fuerce la herramienta. Utilice la herramienta apropiada para la aplicación.** La herramienta realizará el trabajo de manera más eficaz y segura, si la opera a la velocidad apropiada.
15. **Si el gatillo no enciende o apaga la herramienta, no utilice la herramienta.** Una herramienta que no se puede controlar con el gatillo es peligrosa y debe ser reparada.
16. **Desconecte la batería de la herramienta o coloque el gatillo en la posición de bloqueo o apagado antes de realizar un ajuste, cambiar accesorios o almacenar la herramienta.** Tales medidas preventivas de seguridad reducen el riesgo de encender la herramienta accidentalmente.
17. **Almacene las herramientas que no se estén usando fuera del alcance de los niños y de personas que no estén capacitadas.** Es peligroso permitir a los usuarios utilizar las herramientas, si no están capacitados previamente.
18. **Cuando la herramienta no esté en uso, manténgala alejada de otros objetos metálicos tales como clips, moneda, llaves, clavos, tornillos u otro objetos pequeños metálicos que pueden realizar una conexión desde una terminal a otro.** Hacer un cortocircuito de las terminales de la batería, puede producir chispas, quemaduras o un incendio.
19. **Mantenga las herramientas en buenas condiciones. Las herramientas cortadoras deben mantenerse afiladas y limpias.** Esto reduce el riesgo de que la herramienta se atasque y facilita el control de la misma.
20. **Verifique que las partes en movimiento estén alineadas y no estén atascadas. También debe verificarse que las partes no estén rotas o tengan cualquier otra condición que pueda afectar el funcionamiento de la herramienta. Si está dañada, se debe reparar la herramienta antes de utilizarla.** Muchos accidentes se deben al mantenimiento incorrecto de la herramienta. No utilice una herramienta dañada. Colóquela una etiqueta que diga "No Debe Usarse" hasta que sea reparada.
21. **Utilice solamente los accesorios recomendados por el fabricante para ese modelo.** Los accesorios que son apropiados para una herramienta pueden aumentar el riesgo de lesiones cuando se usan con otra herramienta.

#### SERVICIO

22. **El servicio de mantenimiento debe ser realizado solamente por personal técnico debidamente capacitado.** El servicio o mantenimiento realizado por personal no calificado puede aumentar el riesgo de lesiones.
23. **Cuando realice el servicio de mantenimiento, utilice solamente repuestos idénticos. Siga las instrucciones en la sección de mantenimiento de este manual.** El uso de partes no autorizadas o el incumplimiento de las instrucciones de mantenimiento puede aumentar el riesgo de descarga eléctrica o lesiones.

## REGLAS ESPECIFICAS DE SEGURIDAD - LLAVE DE IMPACTO

1. **Guarde las etiquetas y placas de especificaciones.** Estas tienen información importante. Si son ilegibles o si no se pueden encontrar, póngase en contacto con un centro de servicio de **MILWAUKEE** para una refacción gratis.
2. **¡ADVERTENCIA!** Algunas partículas de polvo resultantes del lijado mecánico, aserrado, esmerilado, taladrado y otras actividades relacionadas a la construcción, contienen sustancias químicas que se saben ocasionan cáncer, defectos congénitos u otros daños al aparato reproductivo. A continuación se citan algunos ejemplos de tales sustancias químicas:
  - plomo proveniente de pinturas con base de plomo
  - sílice cristalino proveniente de ladrillos, cemento y otros productos de albañilería y
  - arsénico y cromo provenientes de madera químicamente tratada.

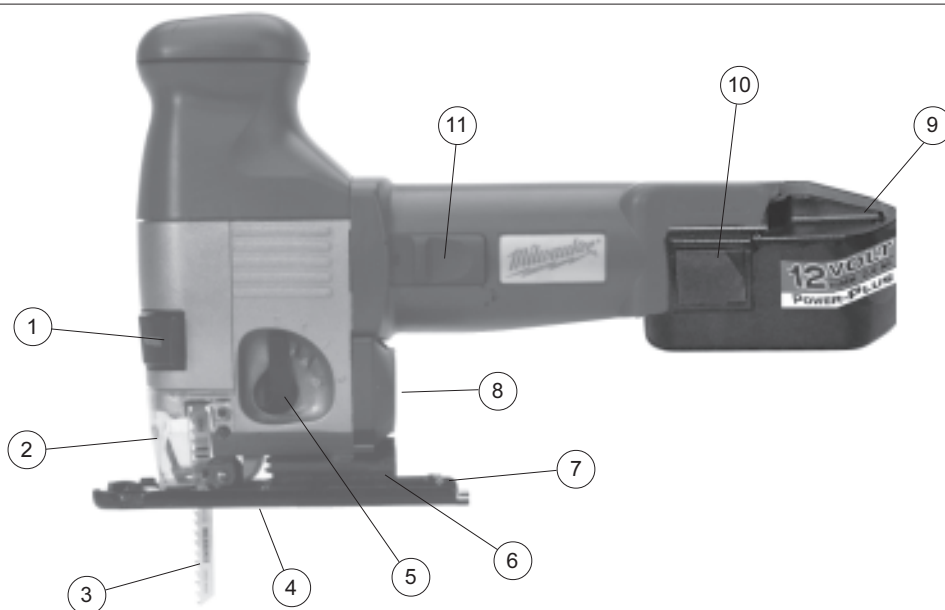
El riesgo que usted sufre debido a la exposición varía dependiendo de la frecuencia con la que usted realiza estas tareas. Para reducir la exposición a estas sustancias químicas: trabaje en un área bien ventilada, y utilice equipo de seguridad aprobado como, por ejemplo, máscaras contra el polvo que hayan sido específicamente diseñadas para filtrar partículas microscópicas.

<b>Simbología</b>	
	Volts corriente directa
<b>SPM</b> n <sup>o</sup> xxxx/min.	Revoluciones por minuto sin carga
	Baterías de níquel cadmio correctamente recicladas
	Underwriters Laboratories, Inc.

<b>Especificaciones</b>		
Cat. No.	Volts cd	rpm
6267-20	12	1 700

### DESCRIPCIÓN FUNCIONAL

1. Palanca tensora Quik-Lok
2. Cubierta transparente
3. Sequeta
4. Zapata
5. Acción orbital palanca selectora
6. Selector de carrera pendular
7. Llave hexagonal
8. Canal de aspiración
9. Batería
10. Seguro de botón
11. Interruptor de encendido/apagado



### DESCRIPCIÓN

La **MILWAUKEE** Sierra Caladora con acción orbital de 12 volt de puede cortar una gran variedad de materiales incluyendo metal, madera y plásticos. Los cortes pueden ser en línea recta, calados, curvos o resacos interiores. Algunas características notables de esta sierra caladora son:

- Con el sistema Quik-Lok®, las seguetas se cambian rápidamente sin necesidad de usar herramientas.
- La Acción Orbital Ajustable de la carrera de la segueta permite cortar mas rápidamente al presionar la segueta contra el material cortar, únicamente cuando la segueta va hacia arriba en su carrera. Esto es particularmente efectivo cuando se trozan tramos de madera gruesos.
- La zapata ajustable puede moverse hasta 45° en cualquier dirección para cortes en ángulo.
- Conector interconstruido para una manguera de aspiradora, con el objeto de asistirse en la recolección del polvo o aserrín (la manguera es opcional).
- La cubierta transparente de la segueta mejora la extracción del polvo.
- Su mecanismo anti-vibratorio permite una operación mas suave y silenciosa.

## USO Y CARGA DE LA BATERIA



### ¡ADVERTENCIA!

Cargue solamente las baterías MILWAUKEE de Power Plus de 12 V, 14,4 V y 18 V en cargadores de Power Plus. Otros tipos de baterías pueden explotar y causar lesiones personales y daños.

Cargue su batería antes de usar su herramienta por primera vez o cuando la misma no opera ya con el poder y torque necesarios para la aplicación. La capacidad total de carga de batería es alcanzada sólo después de 4-5 cargas. Nunca permita que la batería se descargue por completo. El tiempo estándar de cargado variará dependiendo del tipo de cargador que utilice. El tiempo estándar de cargado variará dependiendo del voltaje en el tomacorriente y de la carga que necesita la batería. Por ejemplo, si su batería no requiere una carga completa, el tiempo para cargarla será menor.

PARA CONOCER LAS INSTRUCCIONES ESPECIFICAS DE CARGADO, POR FAVOR LEA LA HOJA DE INSTRUCCIONES QUE VIENE CON SU CARGADOR.

Las baterías pueden ser afectadas por la temperatura. Su batería se desempeñará mejor y tendrá una vida útil más larga si se carga en ambientes con temperaturas entre 15°C - 27°C (60°F a 80°F). No la cargue en ambientes con temperaturas por debajo de 5°C (40°F) o por encima de 40°C (105°F). Si lo hace en estas condiciones, reducirá la capacidad de la batería. Vea "Mantenimiento".

### Como se quita la batería de la herramienta (Fig. 1)

Presione el botón de liberación y saque la batería.

Fig. 1



### Cómo se retira la batería de la herramienta (Fig. 2)

Coloque la batería desde la parte posterior, presionando el botón de liberación y deslizando la batería en el cuerpo de la herramienta. Coloque la batería hasta que la grapa se accione.

Fig. 2



## ENSAMBLAJE DE LA HERRAMIENTA

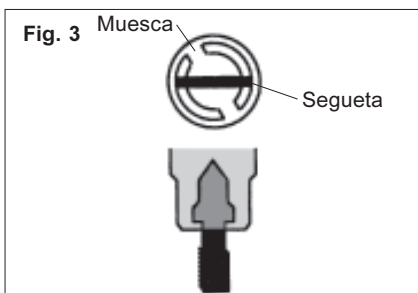


### ¡ADVERTENCIA!

Cuando use herramientas eléctricas es necesario siempre seguir ciertas precauciones básicas de seguridad con el objeto de reducir el riesgo de descargas eléctricas o lesiones al operario.

### Colocación de la segueta (Fig. 3)

1. Desconecte la herramienta antes de insertar o cambiar la segueta.
2. Esta herramienta usa sólo segueta con zanco tipo "bayoneta".
3. **Para instalar la segueta**, empuje la palanca tensora Quik-Lok tanto como pueda y sosténgala en posición.
4. Coloque la segueta dentro de la canal en el rodillo de soporte y empujela firmemente dentro del sujetador tanto como sea posible (Fig. 3). La entrada de la segueta debe quedar en el sujetador.

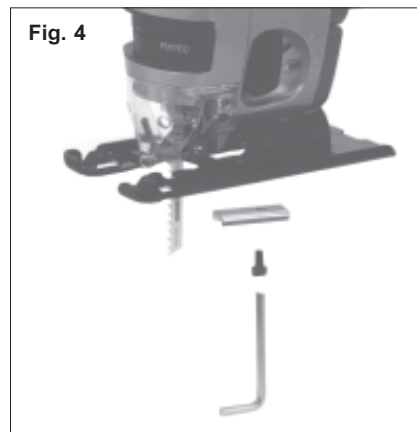


5. Libere la palanca tensora Quik-Lok y la segueta quedará automáticamente sujeta.
6. Verifique que la segueta esté sujeta firmemente; la muesca en el sujetador estará en un ángulo con relación a la segueta.

**NOTA:** Accione la palanca tensora Quik-Lok solamente cuando la herramienta esté apagada.

### Ajustando la zapata (Fig. 4)

Fig. 4



La zapata puede girarse hasta 45° en ambas direcciones y además puede moverse hacia adelante o atrás.

1. **Al fijar la zapata** para realizar cortes en ángulo, afloje el tornillo que sostiene la zapata, jale ligeramente la base hacia adelante, hasta que las muescas de retención ya no actúen. Coloque la zapata en el ángulo prefijado deseado (15°, 30° o 45°) como lo marca la graduación. Empuje hacia atrás, hacia las muescas de retención para que actúen, y apriete el tornillo. Si se desean ángulos diferentes a los prefijados, coloque dicho ángulo y apriete el tornillo sin que actúen las muescas de retención.

**NOTA:** Si se requieren ángulos muy exactos, se recomienda hacer cortes de prueba y hacer los ajustes necesarios.

2. **Para mover la zapata hacia atrás** para cortes interiores, resagues o cortes en las esquinas, afloje el tornillo que sujeta la zapata y corra la zapata hasta atrás. El tornillo entrará en una muesca y mantendrá la zapata a 0°.



## OPERACION



### ¡ADVERTENCIA!

Para reducir el riesgo de lesiones, use siempre lentes de seguridad o anteojos con protectores laterales.

#### Encendido y apagado de la herramienta

1. Para **encender** la herramienta, empuje el interruptor encendido/apagado hacia adelante hasta que "I" esté visible.
2. Para **detener** la herramienta, empuje el interruptor encendido/apagado hacia atrás hasta que "0" esté visible.

#### Ajustando la acción orbital

La cantidad de acción orbital puede ser ajustada con la palanca selectora. En general, una acción orbital muy grande (III) debe usarse en materiales suaves y una acción orbital pequeña (I) debe usarse con materiales duros. Cuando se requiera de un corte suave, no deben usarse órbitas (0). A continuación se ilustran diferentes acciones, orbitales con base en diferentes composiciones del material a cortar. La acción orbital óptima debe ser determinada por el usuario con base en los requerimientos especiales del corte.

Madera .....	III
Metal .....	0
Plástico .....	I
Corte suave .....	0

**NOTA:** La acción orbital puede ser ajustada con la herramienta en operación o detenida.

#### Cortando general

1. Seleccione las carreras y la acción orbital, tomando en cuenta el material que se va a cortar.
2. Coloque la herramienta con la parte frontal de la zapata sobre el material y accione el interruptor.
3. Sujete firmemente la herramienta contra el material y guíela a través de la línea de corte deseada. No la "alimente" muy fuertemente contra el material, una ligera presión en la segueta hará que se logre la velocidad óptima de corte.

## APLICACIONES

#### Técnicas especiales de corte

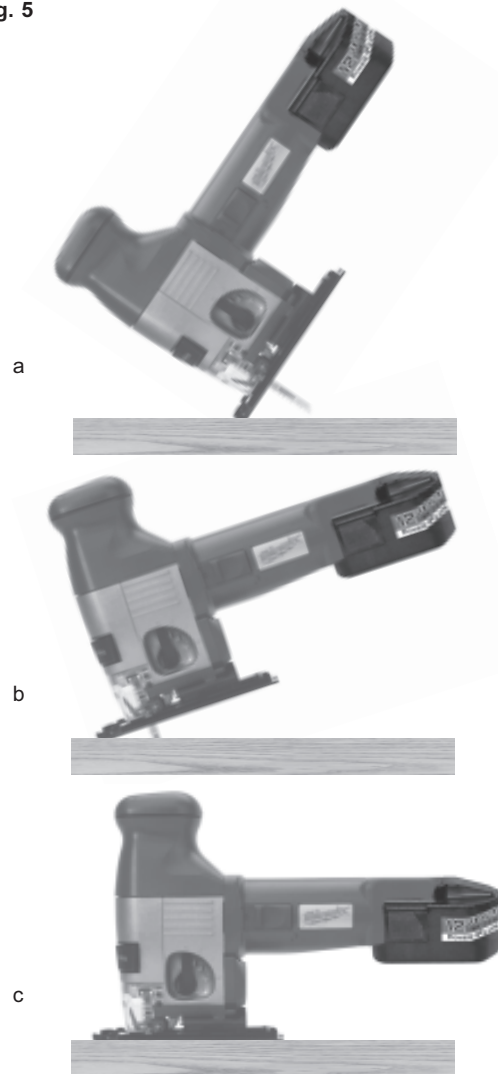
1. **Cortes rectos** – Para obtener un corte perfectamente recto, fije un tramo de madera como guía, a todo lo largo de material a cortar o use la guía paralela (accesorio).
2. **Cortes en ángulo** – Ajuste la zapata al ángulo correcto (Ver "Ajustando la zapata").
3. **Cortes cerca de obstáculos** – Mueva la zapata hacia atrás para tener mayor área de libramiento de corte.
4. **Cortando hojas de metal** – Las hojas de metal pueden vibrar a la hora de realizar el corte. Para minimizar estas vibraciones, sujete con pinzas, la hoja de metal a una base de madera.

#### Cortes interiores o resagues (Fig. 5)

Las sierra caladoras **MILWAUKEE** de 12 volt están bien adaptadas para realizar cortes inclinación en materiales suaves sin un agujero pre-perforado. Los materiales más duros requieren de esta perforación guía con un diámetro ligeramente mayor que el ancho de la segueta.

1. Para realizar un corte interior, corra la zapata totalmente hacia atrás.
2. Coloque en 0, el selector de acción orbital.
3. Asegúrese que no haya nada que se pueda dañar debajo de la superficie de corte.
4. Antes de accionar el interruptor, coloque firmemente la parte frontal de la zapata sobre el material a cortar (a).
5. Alinee la segueta con la línea de corte por realizar.
6. Usando la parte frontal de la zapata como pivote, accione la herramienta y baje gradualmente la segueta contra el material a cortar (b).
7. Una vez que la zapata esté apoyada firmemente contra la superficie del material, realice el corte en forma normal (c).

Fig. 5





**¡ADVERTENCIA!**

Para reducir el riesgo de una lesión, desconecte siempre la herramienta antes de darle cualquier mantenimiento. Nunca desarme la herramienta ni trate de hacer modificaciones en el sistema eléctrico de la misma. Acuda siempre a un Centro de Servicio MILWAUKEE para TODAS las reparaciones.

**Mantenimiento de la herramienta**

Adopte un programa regular de mantenimiento y mantenga su herramienta, batería y cargador en buenas condiciones. Después de 6 meses a un año, dependiendo del uso dado, envíe su herramienta, batería y cargador al Centro de Servicio MILWAUKEE más cercano para que le hagan:

- Lubricación
- Inspección y cambio de carbones
- Inspección mecánica y limpieza (engranes, flechas, baleros, carcaza, etc.)
- Inspección eléctrica (batería, cargador, motor)
- Prueba para asegurar una adecuada operación mecánica y eléctrica

Si la herramienta no arranca u opera a toda su potencia con una batería completamente cargada, limpie los contactos de la batería. Si aún así la herramienta no trabaja correctamente, regrésela, junto con el cargador y la batería, a un centro de servicio MILWAUKEE para que sea reparada.

**Mantenimiento de las baterías**

Las baterías MILWAUKEE operarán por muchos años y / o cientos de ciclos, cuando son usadas y mantenidas de acuerdo a las instrucciones.

Una batería que esté guardada, sin usarse, por espacio de seis meses, se descargará. La baterías se descargan a razón de 1% por día. Con el objeto de maximizar la vida de la batería, cárguela cada seis meses aun si no la usa. No trabe el interruptor en la posición "ON" y deje la herramienta desatendida ya que se podría descargar la batería a un grado tal que no podría volver a cargarse nuevamente. Use una batería MILWAUKEE hasta que ya no trabaje con la potencia y el torque necesarios para la aplicación requerida.

Almacene su batería en un lugar seco y fresco. No la almacene donde las temperaturas puedan exceder 50°C (120°F), tales como dentro de un vehículo o un edificio metálico durante el verano. Las altas temperaturas sobrecalentarán la batería, reduciendo la vida útil de la misma. Si se guarda por varios meses, la batería perderá su carga en forma gradual. Se llevará entre uno y tres ciclos de carga y descarga con un uso normal, para que se restablezca la capacidad total de la batería. Durante la vida útil de la batería, el tiempo operativo de la misma se va reduciendo. Si este tiempo operativo se vuelve demasiado corto luego de una carga adecuada, significa que la vida útil de la batería ha finalizado y deberá cambiarse por una nueva.

**Limpieza**

Limpie el polvo y suciedad de las ventilas del cargador y la herramienta. Mantenga los mangos y empuñaduras limpios, secos y libres de aceite o grasa. Use sólo jabón neutro y un trapo húmedo para limpiar la herramienta, batería y el cargador, ya que algunas sustancias y solventes limpiadores son dañinos a los plásticos y partes aislantes. Algunos de estos incluyen: gasolina, turpentina, diluyente para lacas, diluyente para pinturas, solventes para limpieza con cloro, amoníaco y detergentes caseros que tengan amonía. Nunca use solventes inflamables o combustibles cerca de una herramienta.



**¡ADVERTENCIA!**

Para reducir el riesgo de una lesión, descarga eléctrica o daño a la herramienta, batería o cargador, nunca los sumerja en líquidos ni permita que estos fluyan dentro de los mismos.



**¡ADVERTENCIA!**

Para reducir el riesgo de una explosión, no queme nunca una batería, aun si está dañada, "muerta" o completamente descargada.

**Sellos de Reciclaje de Baterías RBRC**

Los Sellos de Reciclaje de Baterías RBRC™ (véase "Simbología") en las baterías de su herramienta indican que MILWAUKEE ha hecho los arreglos pertinentes para reciclar dichas baterías con la *Rechargeable Battery Recycling Corporation* (Corporación de Reciclaje de Baterías Recargables, o RBRC por sus siglas en inglés). Al final de la vida útil de las baterías, devuelva éstas a la Oficina Principal/Centro de Servicio de MILWAUKEE o el distribuidor autorizado más cercano a usted. Si desea mayor información, visite el sitio web de RBCR en [www.rbr.org](http://www.rbr.org).

**Cómo desechar las baterías de níquel-cadmio**

Las baterías de níquel-cadmio son reciclables. Bajo ciertas leyes estatales y locales, puede ser ilegal desechar las baterías en el drenaje municipal. Deshágase de ellas de acuerdo a regulaciones federales, estatales o locales.

**Reparaciones**

Si su herramienta, batería o cargador están dañados, envíelos al centro de servicio más cercano de los listados en la cubierta posterior de este manual del operario.

**Garantía de la batería**

Las baterías para herramientas inalámbricas están garantizadas por un año a partir de la fecha de compra.

**GARANTIA**

Se garantiza que todos los productos MILWAUKEE están libres de fallas en el material y la mano de obra. MILWAUKEE reparará o reemplazará cualquier producto que, luego de una revisión, se encuentre está defectuoso ya sea en el material o en la mano de obra.

**Límites:** Esta garantía no cubre: 1) reparaciones o intentos realizados por personas ajenas a MILWAUKEE o al Taller Autorizado de Servicio MILWAUKEE; 2) uso y desgaste normal; 3) abuso; 4) mal uso; 5) mantenimiento inadecuado; 6) uso continuo luego de presentar fallas parciales; 7) herramientas que han sido modificadas; o productos utilizados con un accesorio inadecuado.

Las baterías están garantizadas por un (1) año a partir de la fecha de compra.

En caso de que se presente un problema, favor de regresar el producto completo a cualquier Centro de Servicio de Fábrica MILWAUKEE o Taller Autorizado de Servicio MILWAUKEE, con flete pagado y asegurado. Si se encontrase que el problema es causado por fallas en el material o la mano de obra, se reparará o reemplazará el producto sin cargo y se le regresará (con flete pagado) a su propietario. No se reconoce ninguna otra garantía ni verbal ni escrita.

NO EXISTE NINGUNA OTRA POSIBILIDAD DE REPARACION Y REEMPLAZO QUE LA DESCRITA EN LA PRESENTE GARANTIA. EN NINGUN CASO MILWAUKEE SERA CONSIDERADA RESPONSABLE POR DAÑOS INCIDENTALES, ESPECIALES O CONSECUENTES, INCLUYENDO LA PERDIDA DE GANANCIAS.

ESTA GARANTIA SE CONFIERE EN LUGAR DE TODA OTRA GARANTIA, EXPRESA O IMPLICITA DE COMERCIALIZACION O DE IDONEIDAD PARA UN USO O PROPOSITO EN PARTICULAR.

*Esta garantía le otorga derechos legales específicos. Podría tener además otros derechos que varían de estado a estado. En aquellos estados que no permiten la exclusión de garantías implícitas o límites por daños incidentales o consecuentes, los límites o las exclusiones anteriores podrían no aplicar en su caso.*



**¡ADVERTENCIA!**

Siempre retire la batería antes de cambiar o retirar accesorios. Utilice únicamente accesorios específicamente recomendados para esta herramienta. El de uso accesorios no recomendados podría resultar peligroso.

Para una lista completa de accesorios, consulte el catálogo de Herramientas eléctricas *MILWAUKEE* (Milwaukee Electric Tool). A fin de obtener un catálogo, sírvase ponerse en contacto con su distribuidor o centro de servicio local. Para saber la dirección de la localidad más cercana, consulte el reverso de este manual del operario.

**Batería de Power Plus de 12 V**

Puede usarse con los cargadores de *MILWAUKEE*  
Cat. No. 48-59-0255.

Cat. No. 48-11-1960

**1,3 Amps – Horas**

Cat. No. 48-11-1960

**2,4 Amps – Horas**

Cat. No. 48-11-1970



**Cargador de Power Plus de 120 V**

Para cargar baterías de hasta 12-18 V de Power Plus.

**Cargador de Vehículos de 1 Hora**

Cat. No. 48-59-0186

**Cargador Universal de 1 Hora**

Cat. No. 48-59-0255

**Aditamento anti roturas o astillados**

Catálogo No. 48-08-0531

**Manguera para aspiradora**

Catálogo No. 48-09-1040

La manguera para aspirador puede ser conectada a la entrada interconstuida, con el objeto de ayudar a retirar del área de corte, el serrín o polvo. La cubierta transparente debe ser colocada con el objeto de logara una acción eficiente de aspirado.



Cat. No. 48-59-0186

**Zapata cubierta**

Catálogo No. 48-08-0533

**Guía para coirtes paralelos y circulares**

Catálogo No. 49-22-4250



Cat. No. 48-59-0255

## **UNITED STATES**

### **MILWAUKEE Service**

To locate the *factory* SERVICE CENTER or authorized service station nearest you, call

**1-800-414-6527**

TOLL FREE • NATIONWIDE

Monday-Friday • 8:00 AM - 4:30 PM • Local Time

In addition, there is a worldwide network of distributors ready to assist you. Check your "Yellow Pages" under "Tools-Electric" for the names of those nearest you.

For further information on *factory* SERVICE CENTER or authorized service station locations, visit our website at:

**[www.mil-electric-tool.com](http://www.mil-electric-tool.com)**

Corporate Product Service Support -  
Warranty and Technical Information

Brookfield, Wisconsin USA

**1-800-729-3878**

## **CANADA**

### **Service MILWAUKEE**

#### **Milwaukee Electric Tool (Canada) Ltd**

755 Progress Avenue

Scarborough, Ontario M1H 2W7

Tel. (416) 439-4181

Fax: (416) 439-6210

En outre le réseau de distributeurs est à la disposition de la clientèle d'un océan à l'autre. Consultez les pages jaunes de l'annuaire téléphonique pour l'adresse du centre le plus près de chez vous.

In addition, there is a worldwide network of distributors ready to assist you. Check your "Yellow Pages" under "Tools-Electric" for the names of those nearest you.

## **MEXICO**

### **Servicios de MILWAUKEE**

#### **Milwaukee Electric Tool**

División de : Atlas Copco Mexicana S.A. de C.V.

Blvd. Abraham Lincoln no. 13

Colonia Los Reyes Zona Industrial

Tlalnepantla, Edo. México C.P. 54073

Tels. 5565-1414 5565-4720

Fax: 5565-0925

Además se cuenta con una red nacional de distribuidores listos para apoyarlo. Vea en las "Páginas Amarillas" sección "Herramientas Eléctricas".

## **MILWAUKEE ELECTRIC TOOL CORPORATION**

**A Company within the Atlas Copco Group**

**13135 West Lisbon Road • Brookfield, Wisconsin, U.S.A. 53005**

## Free Manuals Download Website

<http://myh66.com>

<http://usermanuals.us>

<http://www.somanuals.com>

<http://www.4manuals.cc>

<http://www.manual-lib.com>

<http://www.404manual.com>

<http://www.luxmanual.com>

<http://aubethermostatmanual.com>

Golf course search by state

<http://golfingnear.com>

Email search by domain

<http://emailbydomain.com>

Auto manuals search

<http://auto.somanuals.com>

TV manuals search

<http://tv.somanuals.com>