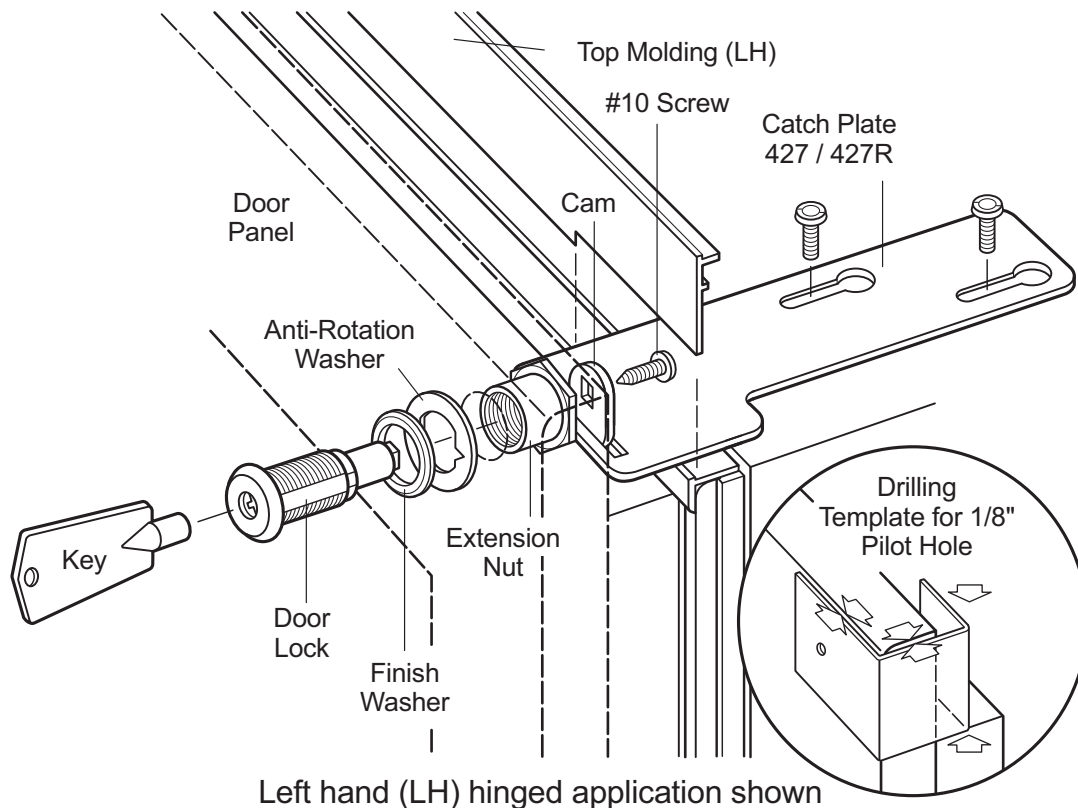


MODELS 427 and 427R - Door Lock Installation

PROCEDURE: (Refer to the illustration below)

1. If possible, install the lock components onto the appliance before pushing the appliance the final six inches into the wall. If the top edge of the door panel is less than 81 inches from the floor, it may be affected by the lock barrel hole described in Step 3 below.
2. Remove side and top moldings if they are already installed. Remove the two top cabinet hinge screws on the handle side of the appliance. Insert the catch plate and tighten the screws to a sliding fit.
3. If installing the lock kit on a wood panel, using the drilling template provided, drill an 1/8" diameter pilot hole through the wood panel. **NOTE:** *The drilling template must fit flush with the front and side of the wood panel and the bottom edge must rest tight on top of the door frame. Take special care not to damage panel when using template or drilling holes.* Drill a 7/8" diameter hole using a Forstner or suitable drill bit (Drill bits are not provided).
4. Insert the lock through the finish washer, anti-rotation washer, panel hole and install the extension nut. **NOTE:** *When positioning the anti-rotation washer, hole flats need to be vertically positioned.*
5. Install the cam onto the lock using the #10 screw so that a clockwise rotation will lock the door.
6. Adjust the catch plate for a proper fit. Check the lock for proper operation. Tighten the catch plate screws.
7. Install the special top molding strip. Install side moldings.



Free Manuals Download Website

<http://myh66.com>

<http://usermanuals.us>

<http://www.somanuals.com>

<http://www.4manuals.cc>

<http://www.manual-lib.com>

<http://www.404manual.com>

<http://www.luxmanual.com>

<http://aubethermostatmanual.com>

Golf course search by state

<http://golfingnear.com>

Email search by domain

<http://emailbydomain.com>

Auto manuals search

<http://auto.somanuals.com>

TV manuals search

<http://tv.somanuals.com>