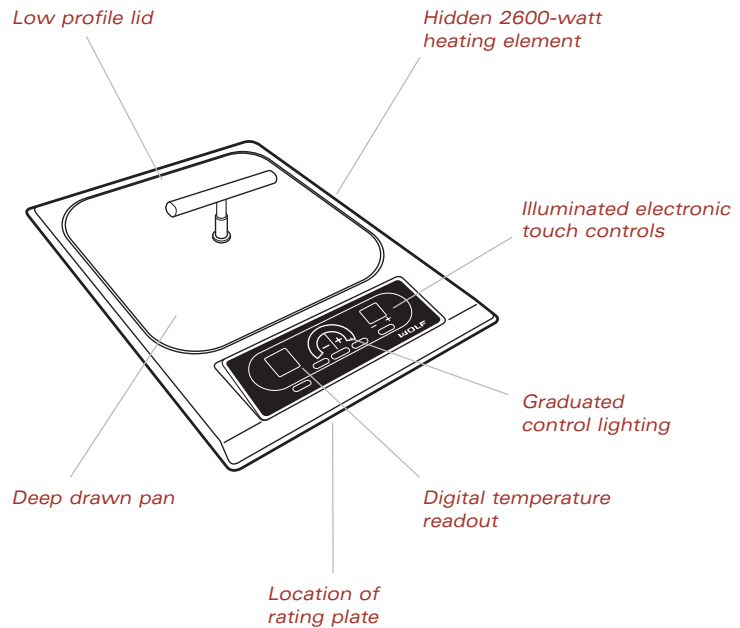


Integrated Electric Fryer Module

MODEL IF15/S



Model IF15/S
Classic Stainless Steel



► The Wolf Model IF15/S 15" (381) integrated fryer module is available in the classic stainless steel finish.

To round out your options for the ideal kitchen, you must have a fryer to choose from and Wolf offers a great option that the market has never seen. Dinner specialties that you never tried before will be at your fingertips when your client uses this module.

The accurate temperature control will enable your customer to seal in that great flavor of the food without absorbing any unnecessary grease. In addition, the extremely deep fryer will enable you to handle large portions of small items or a whole chicken.

Let Wolf, the corporate companion and kitchen soul mate of Sub-Zero, fuel your passion for cooking and kitchen design.

Dimensions in parentheses are in millimeters unless otherwise specified.

7/06

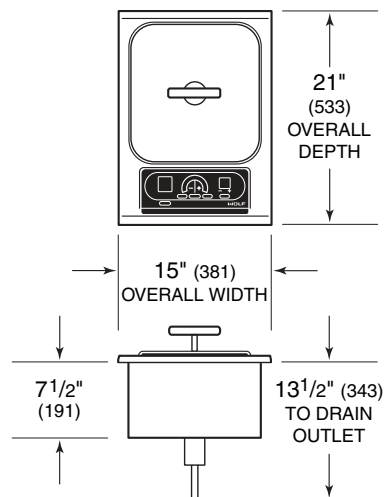
Integrated Electric Fryer Module

MODEL IF15/S

FEATURES

- ▶ Integrated design allows for installation of multiple cooktops or modules
- ▶ Stainless steel top construction with classic stainless steel finish
- ▶ Hidden 2600-watt heating element
- ▶ Illuminated electronic touch controls with graduated control lighting
- ▶ Large 1¹/₄ gallon (3.8 L) capacity tub
- ▶ Three baskets included—one large and two small side by side, each with wire basket hanger
- ▶ Low-profile lid
- ▶ Melt feature for shortening or lard
- ▶ Independent digital timer
- ▶ Digital temperature readout and preheat indicator
- ▶ Easy manual locking drain capability
- ▶ CSA certified for US and Canada
- ▶ Two and five year residential warranty - exclusions apply; warranty information can be found on our website, wolfappliance.com

OVERALL DIMENSIONS ▼

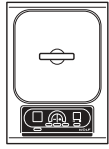


Dimensions may vary by $\pm 1/8$ " (3).

Dimensions in parentheses are in millimeters unless otherwise specified.

Integrated Electric Fryer Module

MODEL IF15/S



Model IF15/S
Classic Stainless Steel

TRIM FINISH

Classic Stainless Steel IF15/S

VENTILATION OPTIONS

- ▶ 30" (762) Cooktop or Pro wall hood or liner
- ▶ 36" (914) Cooktop or Pro island hood

For additional information, refer to the Wolf Cooktop Ventilation or Pro Ventilation sections of our website, wolfappliance.com.

ACCESSORIES

- ▶ Filler strip

Accessories are available through your Wolf dealer. To obtain local dealer information, visit the Locator section of our website, wolfappliance.com.

SPECIFICATIONS

Overall Width	15" (381)
Overall Height	13 ¹ / ₂ " (343)
Overall Depth	21" (533)
Countertop Cut-Out Width	14" (356)
Countertop Cut-Out Depth	19 ¹ / ₄ " (489)
Minimum Cabinet Depth	22 ³ / ₄ " (578)
Minimum Height Clearance	13 ¹ / ₂ " (343)
Heating Element	2600 W
Electrical Supply Requirements	240/208 V AC, 60 Hz 15 amp dedicated circuit
Conduit	4 ft (1.2 m) flexible 3-wire
Electrical Rating	2.6 kW at 240 V 1.9 kW at 208 V
Shipping Weight	30 lbs (14 kg)
Special Note	Module can be installed in combination with other cooktops or modules

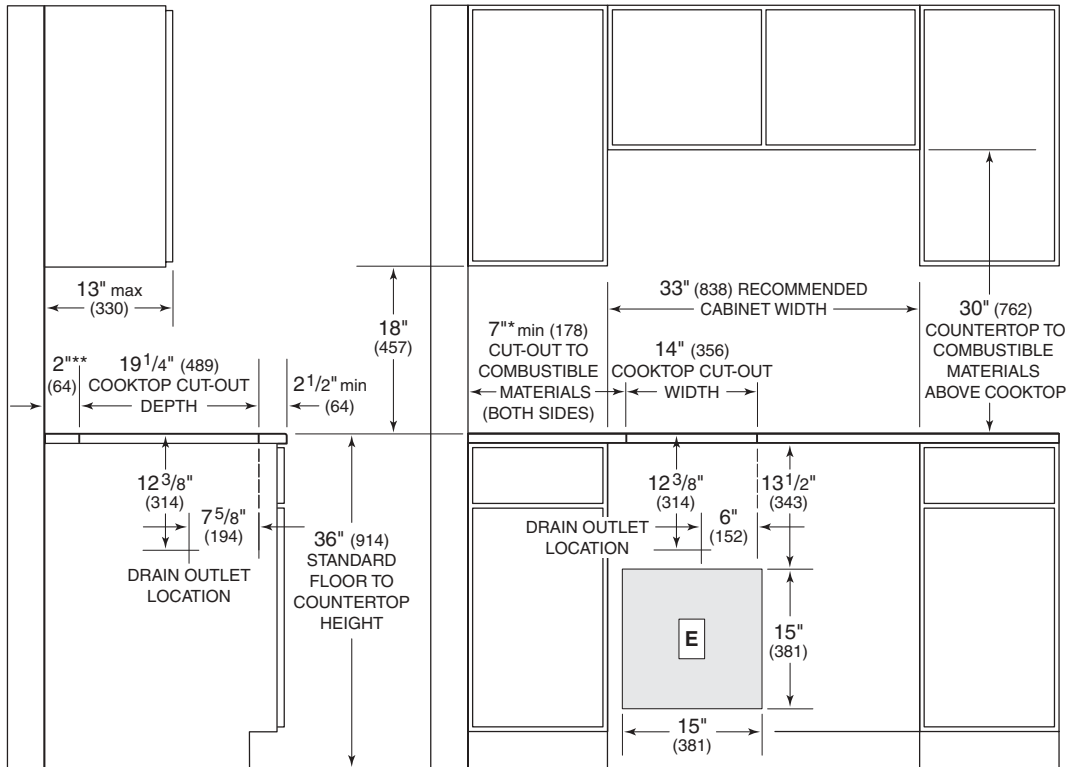
Specifications are subject to change without notice.

Dimensions in parentheses are in millimeters unless otherwise specified.

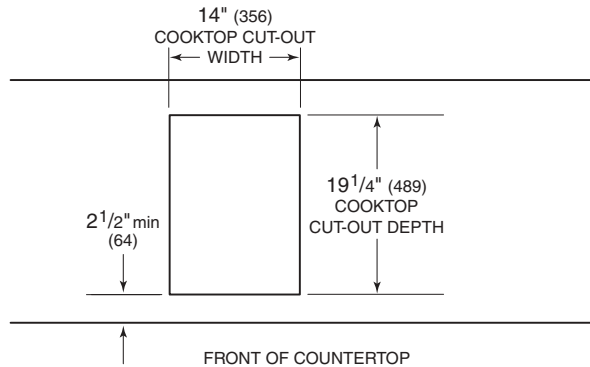
Integrated Electric Fryer Module

MODEL IF15/S

INSTALLATION SPECIFICATIONS



NOTE: Application shown allows for installation of two 15" (381) modules side-by-side with 33" (838) recommended cabinet width. 18" (457) recommended cabinet width for installation of single 15" (381) cooktop or module. NOTE: Fryer module must be installed in a base cabinet with access to manual valve at base of unit to drain oil into heat resistant receptacle. *Minimum clearance from both side edges of cooktop cut-out to combustible materials up to 18" (457) above countertop. **Minimum clearance from rear edge of cooktop cut-out to combustible materials up to 18" (457) above countertop.



DIMENSIONS

Countertop Cut-Out Width	14" (356)
Recommended Cabinet Width	33" (838)
Countertop Cut-Out Depth	19 1/4" (489)
Minimum Cabinet Depth	22 3/4" (578)
Location of Electrical	Within shaded area

See Installation Instructions shipped with unit for detailed specifications.

Dimensions in parentheses are in millimeters unless otherwise specified.

Integrated Electric Fryer Module

MODEL IF15/S

INSTALLATION NOTES

▶ Refer to the illustrations and specifications for overall dimensions, cut-out dimensions and installation specifics.

▶ Wolf recommends using 33" (838) wide cabinets for installation of two 15" (381) modules side by side. An 18" (457) wide cabinet is recommended for installation of a single 15" (381) cooktop or module.

IMPORTANT NOTE: Review specific installation instructions for product to product capabilities

▶ When multiple cooktops or modules are installed side by side, refer to the countertop cut-out dimensions on page 6.

⚠ WARNING

This fryer module must be installed at least 15" (381) away from any open flame cooking device. The open flame may cause ignition of oil.

⚠ WARNING

This fryer module must be installed at least 15" (381) away from a Wolf steamer module, as contact between water and hot oil may cause burns from steam and hot oil.

▶ A Wolf Cooktop or Pro ventilation hood is recommended. When installing a ventilation hood, refer to the specific requirements of the hood for the minimum dimension to countertop. Also refer to Ventilation Recommendations in the Cooktop Ventilation or Pro Ventilation sections of our website, wolfappliance.com.

IMPORTANT NOTE: Wolf does not recommend the use of downdraft ventilation with the integrated fryer module.

▶ The Wolf integrated fryer module requires a separate, grounded 3-wire 240/208 V AC, 60 Hz, 15 amp service with its own circuit breaker. The unit is provided with a 4' (1.2 m) flexible 3-wire conduit for connection at the electrical supply. Locate electrical within the shaded area shown in the Installation illustration on page 4.

▶ You must follow all National Electrical Code regulations. In addition, be aware of local codes and ordinances when installing your service.

▶ The integrated fryer module must be installed in a base cabinet with access to the bottom of the unit to drain the oil through a manual valve. The consumer must supply a heat resistant bucket to accept the drained oil. Refer to the Installation illustration on page 4 for location of the drain outlet.

▶ Refer to the installation instructions shipped with each Wolf product for detailed specifications.

⚠ WARNING

This cooktop is intended for indoor use only.

Integrated Electric Fryer Module

MODEL IF15/S

INTEGRATED MODULES— MULTIPLE UNIT INSTALLATION

With Wolf's integrated modules, you have the ultimate in customization. You can create your own design by mixing and matching the various components within this system. And when you couple these modules with other cooktops within the Wolf inventory you and your client will truly understand freedom of choice.

Some Wolf integrated modules can be installed together or with a 30" (762) or 36" (914) cooktop. When multiple units are installed side by side, the cut-out dimensions that are shown in the illustration are derived by adding 1 1/4" (32) additional space for each additional unit, to give you your total cut-out width. Refer to the illustration below for countertop cut-out dimensions for installation of multiple cooktops.

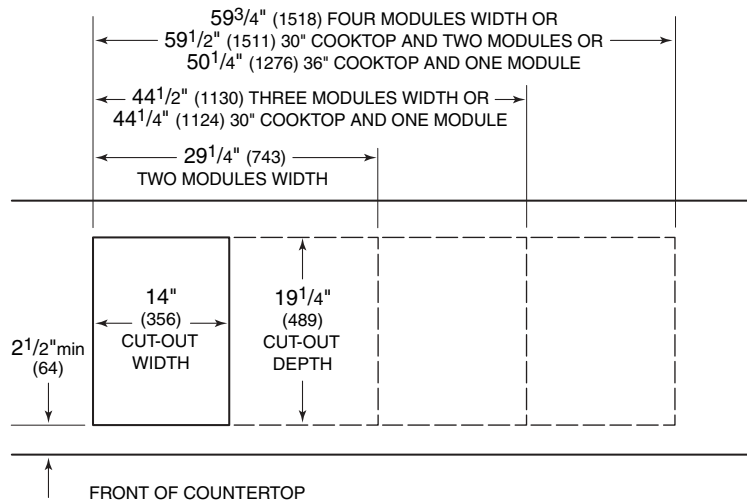
IMPORTANT NOTE: Refer to the pages for each specific integrated module for installation limitations.

IMPORTANT NOTE: Where multiple cooktops and/or modules are installed side by side, each unit must have its own separate recommended electrical circuit. When multiple gas cooktops and/or modules are installed next to one another, they can receive their gas supply from a common line. However, each unit **must** have its own regulator installed between the mainline and the cooktop or module.

When two or more cooktops or modules are installed together, an integrated module filler strip is recommended. Contact your Wolf dealer for information on this accessory component.

For electrical requirements, additional specifications and installation limitations, refer to the Installation Notes on page 5.

IMPORTANT NOTE: Review specific installation instructions for product to product capabilities.



Countertop cut-out dimensions for installation of multiple cooktop units.

Dimensions in parentheses are in millimeters unless otherwise specified.

Free Manuals Download Website

<http://myh66.com>

<http://usermanuals.us>

<http://www.somanuals.com>

<http://www.4manuals.cc>

<http://www.manual-lib.com>

<http://www.404manual.com>

<http://www.luxmanual.com>

<http://aubethermostatmanual.com>

Golf course search by state

<http://golfingnear.com>

Email search by domain

<http://emailbydomain.com>

Auto manuals search

<http://auto.somanuals.com>

TV manuals search

<http://tv.somanuals.com>