

INSTALLATION GUIDE

Undercounter Ice Machine



Contents

Undercounter Ice Machine	3
Ice Machine Specifications	4
Ice Machine Installation	8
Installation Checklist	14
Service Information	15

Features and specifications are subject to change at any time without notice. Visit subzero.com/specs for the most up-to-date information.

IMPORTANT NOTE: Throughout this guide, dimensions in parentheses are millimeters unless otherwise specified.

Important Note

To ensure the safe and efficient installation of Sub-Zero equipment, please take note of the following types of highlighted information throughout this guide:

IMPORTANT NOTE highlights information that is especially relevant to a problem-free installation.

CAUTION signals a situation where minor injury or product damage may occur if instructions are not followed.

WARNING states a hazard that may cause serious injury or death if precautions are not followed.



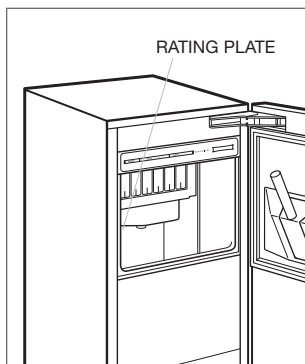
Sub-Zero Undercounter Ice Machine

IMPORTANT NOTE: The importance of the installation of the Sub-Zero ice machine cannot be overemphasized. Installation must be completed by a qualified installer.

Read this entire installation guide prior to installation. There are key details that you should observe during the installation to make the process easier, problem-free and, most importantly, safe. The homeowner should keep this installation guide for future reference.

Any questions or problems regarding the installation should be directed to your authorized Sub-Zero dealer or Sub-Zero customer care at 800-222-7820. You may also check the contact & support section of our website, subzero.com.

Important product information, including the model and serial number of your unit are listed on the product rating plate, located in the upper left corner of the ice bin and on the back of the unit. Refer to the illustration below.



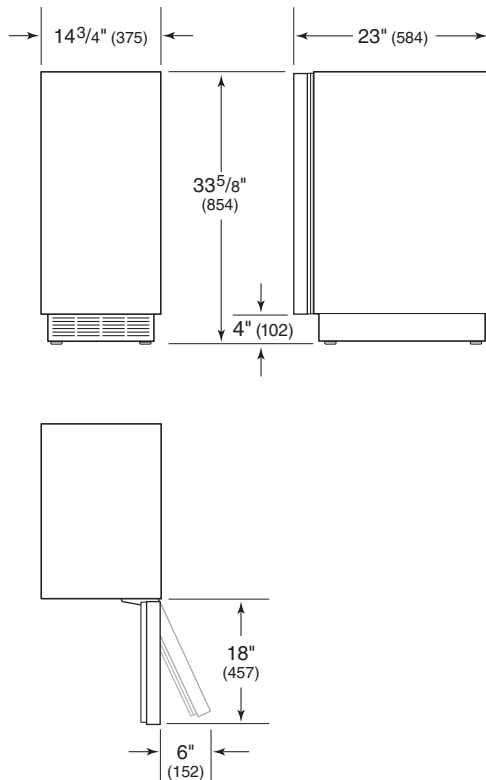
Location of rating plate.

⚠ WARNING

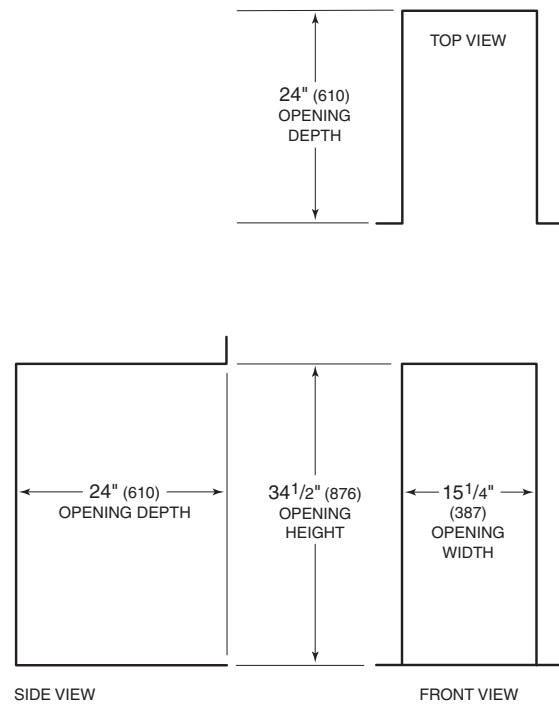
Proper installation requires connection to the water supply, a drain and a dedicated electrical circuit. These connections are the responsibilities of the installer. Improper connections can result in personal injury, property damage and improper operation.

Ice Machine Specifications

OVERALL DIMENSIONS



INSTALLATION



Overall dimensions do not include panels or handles.

Specifications	
Ice Storage Capacity	26 lbs (12 kg)
Shipping Weight	117 lbs (53 kg)

IMPORTANT NOTE: It is recommended that the electrical and water supply be placed in an adjacent cabinet. If they are placed within the opening, additional cabinet depth may be required.

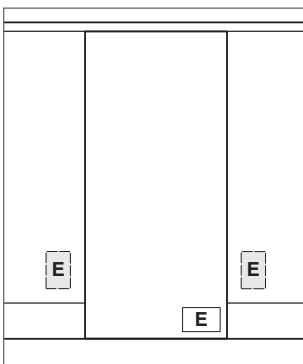
Electrical Requirements

The ice machine must be installed with adequate clearance for electrical connection at the rear of the unit. The electrical supply for the ice machine requires installation of a grounded receptacle on a separate circuit, servicing only this appliance. Follow the National Electrical Code and local codes and ordinances when installing the receptacle.

IMPORTANT NOTE: Although it can be located anywhere on the back wall, it is recommended that the receptacle be placed in an adjacent cabinet or in the lower right of the opening. If it is placed within the opening, additional cabinet depth may be required. Refer to the illustration below.

Models UC15IO and UC-15IPO are designed and safe for use in outdoor applications. When installed outdoors, a ground fault circuit interrupter (GFCI) is required to reduce the risk of electrical shock. For outdoor models, or if a ground fault circuit interrupter (GFCI) is required by local codes, it must be a breaker type, not an outlet type.

Electrical Requirements	
Power Supply	115 V AC, 60 Hz
Receptacle	3-prong grounding-type
Circuit Breaker	15 amp
Minimum Circuit	4.1 amp



Location of electrical supply.

The electrical supply for the ice machine must be installed by a qualified electrician in accordance with all applicable national and local electrical codes. Observe the following:

- The ice machine must be grounded in accordance with national and local electrical codes.
- A separate fuse or circuit breaker must be provided for each ice machine.
- The maximum allowable voltage variation is $\pm 10\%$ of the rated voltage at ice machine start-up, when the electrical load is highest.
- The minimum wire size is #14 for less than 100' (31 m) or #12 for more than 100' (31 m) to 200' (61 m), use solid copper conductor only. The recommended breaker is 15 amp. Local or state electrical code, length of run or materials used, can increase the minimum wire gauge required. A qualified electrician must determine the proper wire size, although #14 is the minimum size allowed.
- The minimum circuit requirement is used to help select the wire size of the electrical supply. Minimum circuit requirement is not the ice machine's running amp load.
- Observe correct polarity of incoming line voltage. Incorrect polarity can lead to erratic ice machine operation and a safety issue.

⚠ WARNING

Do not use an extension cord or two-prong adapter. Electrical ground is required on this appliance.

Plumbing Requirements

The ice machine must be installed with adequate clearance for water and drain connections at the rear of the unit. Prepare the water supply line and drain connection before installing the ice machine.

⚠ WARNING

Improper water supply and drain connections can result in personal injury and property damage.

Plumbing Requirements

Water Supply Line	1/4" OD copper, braided stainless steel or PEX tubing
Water Pressure	20–80 psi (1.4–5.5 bar)
Water Temperature	50°F (10°C) – 80°F (27°C)
Water Outlet (gravity drain)	3/4" (19) ID hose
Water Outlet (drain pump)	3/8" (10) ID hose

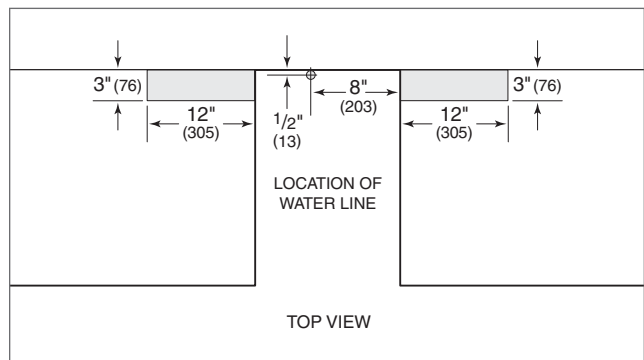
WATER SUPPLY LINE

For all ice machine models, locate the water supply line as shown in the illustration below.

IMPORTANT NOTE: It is recommended that the water supply be placed in an adjacent cabinet within the shaded area shown in the illustration. If placed within the opening, additional cabinet depth may be required.

The water supply line should be connected to the house supply with an easily accessible shut-off valve between the water supply and the ice machine. A reverse osmosis system can be used, provided there is constant water pressure of 20 psi (1.4 bar) to 80 psi (5.5 bar) supplied to the unit at all times. A copper line is not recommended for this application.

- A cold water supply line must be supplied to the ice machine. Use 1/4" (6) OD copper, braided stainless steel or PEX tubing and compression fitting (not included). The incoming water temperature must remain between 50°F (10°C) and 80°F (27°C).
- Do not connect the ice machine to a hot water supply. Be sure all hot water restrictors installed for other equipment are working, such as check valves on sink faucets, dishwashers, etc.
- If water pressure exceeds the maximum recommended, install a water pressure regulator.
- Insulate the water supply line to prevent condensation.



Location of water supply line.

Plumbing Requirements

DRAIN CONNECTION

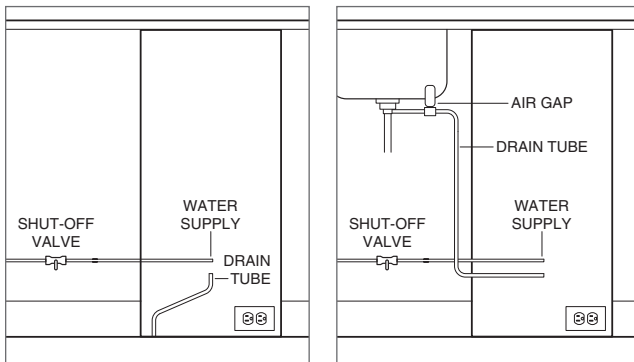
Models UC-15I and UC-15IO are gravity drain models that require a drain tube that is pitched down from the outlet at the back of the unit to the sanitary sewer connection.

Models UC-15IP and UC-15IPO have a built in drain pump that will pump water up to a drain point, such as a sink.

Gravity drain models are supplied with a drain hose for gravity draining. A pump model must be used if a gravity drain is not possible. Both drain methods require routing to an open site drain. Do not connect directly to a drain line as bacteria from the drain line may contaminate the ice machine. Locate the drain in an adjacent cabinet. Refer to the illustrations below. For installations that will not allow the drain to be placed in an adjacent cabinet, the drain must be located within 1/2" (13) of the back wall.

⚠ CAUTION

Improper drainage can lead to water flowing back into ice machine and poor performance.



Gravity drain models.

Drain pump models.

- The ice machine drain connection is approximately 5" (127) from the floor.
- For the gravity drain, all horizontal runs of drain lines must have a 1/4" (6) per 12" (305) fall.
- Drain pump models have a maximum rise of 12' (4 m) and a maximum run of 100' (31 m).
- Drain pump models will likely require an air gap between the unit and the drain receptacle.
- The floor drain must be large enough to accommodate drainage from all drain lines.
- The drain pump discharge line must terminate at an open site drain.
- If there is not adequate room behind the ice machine for the drain or waste water receptacle, the drain can be located below the floor.

WATER FILTER

The water filter provided with the ice machine is designed to inhibit scale formation, filter sediment, and remove chlorine odor and taste. The life expectancy of the water filter is approximately six months during normal usage. The ice machine control board will monitor water usage and indicate when replacement is required.

Replacement water filters are available through your authorized Sub-Zero dealer. For local dealer information, visit the find a showroom section of our website, subzero.com.

Installation Requirements

- Installation must allow removal of the ice machine for cleaning and service. Service diagnostics are performed from the top of the ice machine.
- If the ice machine is installed in a corner, the door swing may be limited due to handle contact with the adjacent wall or cabinet. A 90° door stop is provided.
- Do not install the ice machine within 18" (457) of a trash container, compactor or recycling container.
- Do not install the ice machine near heat-generating equipment.
- The installation location must not obstruct airflow through the kickplate.
- The installation location must be free of airborne and other contaminants.
- The ambient air temperature must be between 50°F (10°C) and 100°F (38°C) for indoor models and between 50°F (10°C) and 110°F (43°C) for outdoor models.

IMPORTANT NOTE: Failure to follow installation requirements of the ice machine may affect warranty coverage.

⚠ CAUTION

The ice machine must be protected if it will be exposed to ambient temperatures below 32°F (0°C). Component failure caused by exposure to freezing temperatures is not covered by the warranty.

Installation

Before moving the ice machine into position, make sure all opening dimensions, electrical and plumbing requirements are complete and accurate. The floor under the ice machine must be at the same level as the surrounding finished floor.

Move the ice maker into position near the installation opening. Remove and discard all packing materials. Remove the literature packet and drain hose from inside the ice machine. The bin thermostat clip is shipped with tape holding it in position. Remove the tape. Also, remove the tape securing the water shutters.

Although the ice machine has been designed to be serviced in place, in some cases it may be necessary to slide the unit out for service or cleaning. The installation must allow for removal of the unit.

⚠ CAUTION

Before moving the ice machine into position, protect any finished flooring to avoid damage.

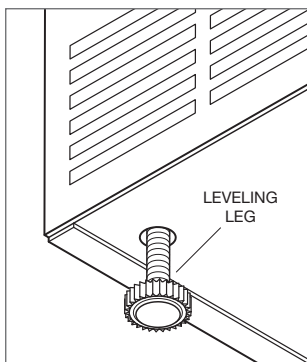
Installation

INSTALL THE ICE MACHINE

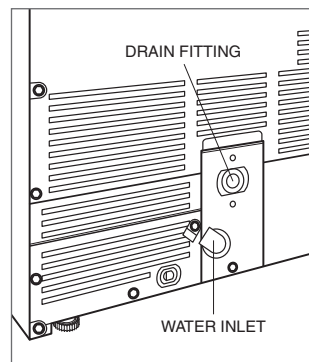
- 1) Adjust the leveling legs close to the desired height. Refer to the illustration below.
- 2) Reverse the door swing if needed. Refer to steps outlined on the following pages.
- 3) **Gravity drain models:** Install the drain hose (provided) onto the drain fitting on the back of unit and route to the open site drain. Refer to the illustration below and plumbing requirements on pages 6–7.

Pump models: Route drain tubing through the drain fitting on the back of the unit and install the drain hose (provided) on the drain pump. Route the other end of the drain tubing to the drain site. Refer to the illustration below and plumbing requirements on pages 6–7.
- 4) Use a compression fitting to connect the water inlet on back of ice machine to the prepared 1/4" (6) OD cold water line. Refer to the illustration below.
- 5) Open the shut-off valve on the water line. Check all plumbing connections for leaks. Failure to do so could result in flooding.
- 6) Plug the power cord into the grounded receptacle.
- 7) Level the ice machine to assure that the door closes and seals properly. Place a level on top of the unit and turn each leveling leg to raise or lower as needed.

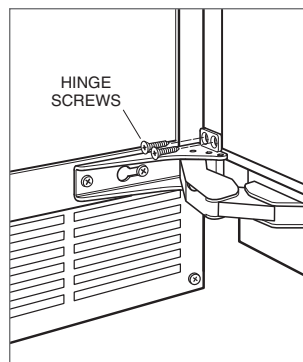
- 8) Move the ice machine into its final position.
- 9) Secure the ice machine by installing two #8 x 1/2" flat head screws through each hinge. Refer to the illustration below.
- 10) Add 4 oz (115 ml) of undiluted ice machine cleaner to a container that will fit under the lifted water shutters. Refer to the illustration below for location of the water shutters.
- 11) Press the CLEAN key pad. Wait three minutes until the CLEAN light flashes, then add the prepared sanitizer by lifting the water shutters and pouring directly into the spray area. The ice machine will automatically time out a ten-minute sanitizing cycle, followed by eight rinse cycles, and stop. The CLEAN light will turn off to indicate that the sanitizing cycle is complete. This entire cycle lasts approximately 30 minutes.
- 12) Add one gallon (3.8 L) of cold water to a container that will easily fit under the lifted water shutters. Lift the water shutters and pour the water directly into the spray area. Watch for proper drainage.
- 13) Press the POWER button.
- 14) At initial start-up, the ice machine will need approximately 30 minutes to freeze ice and up to five minutes to harvest the ice. Wait for first cycle of cubes to drop to ensure proper installation.



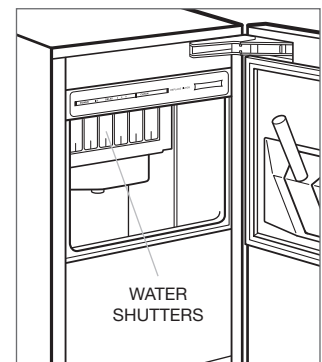
Leveling.



Drain connection.



Secure ice machine.



Location of water shutters.

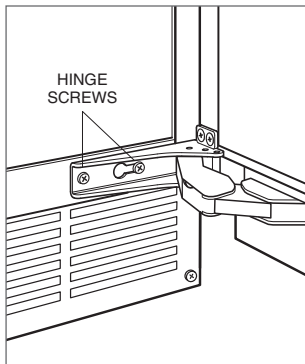
Reverse Door Swing

The hinged side of the door may be reversed to the other side if needed.

The ice machine is shipped with the door hinged at the right. The door and hinges are designed for placing the hinges on either the right or the left side of the unit. Moving the hinges to the left in the pre-drilled holes, allows the door to pivot from the left side.

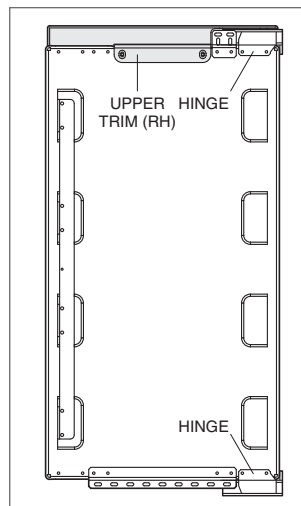
IMPORTANT NOTE: The plastic molding which covers the top area of the door, packaged with the ice machine, is required for this procedure.

- 1) To begin, remove the four screws that secure the door hinges to the ice machine. Refer to the illustration below. Remove the door. Remove the shim located between the cabinet and bottom hinge, this shim will transfer to the left side bottom hinge.

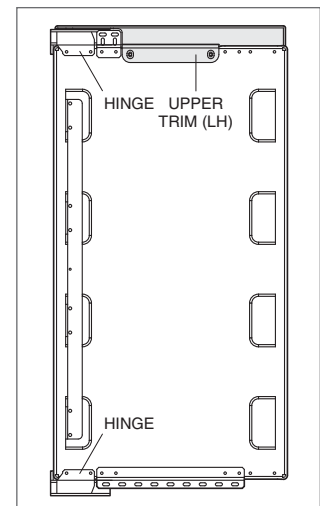


Remove door.

- 2) Remove the hinges from the door by removing the four screws (two per hinge) that secure the hinges to the door. Refer to the illustration below.
- 3) Remove the right-hand upper trim (shaded area) from the door by removing the two screws that secure it to the door. Refer to the illustration below. Replace it with the left-hand upper trim.
- 4) Transfer the hinges to the left side of the door and reinstall. The upper hinge will now be in the lower hinge position and the lower hinge will now be in the upper hinge position. Refer to the illustration below.



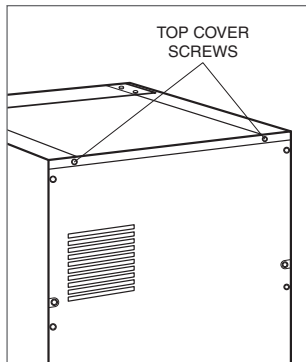
Remove hinges and trim.



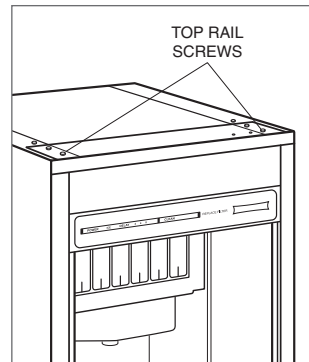
Transfer hinges.

Reverse Door Swing

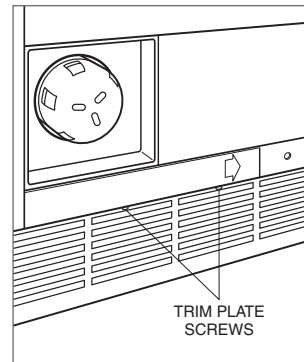
- 5) Remove the ice machine top cover by removing the two screws along the back of the unit. Refer to the illustration below.
- 6) Remove four screws from the front top rail. Refer to the illustration below.
- 7) Pivot the top rail end for end to expose the two left-hand top hinge screw holes and reinstall.
- 8) Remove two screws from the lower edge of the bottom trim plate and slide the trim plate to the right, to cover the right-hinge mounting screw holes. The left-hinge mounting screw holes will now be exposed. Refer to the illustration below.
- 9) Reinstall the door by mounting hinges using the left-hinge mounting holes. Reinstall the shim removed in step 1, between the cabinet and bottom hinge. Check operation of the door by opening it.



Remove top cover.



Remove front top rail.



Bottom trim plate.

Panel Installation

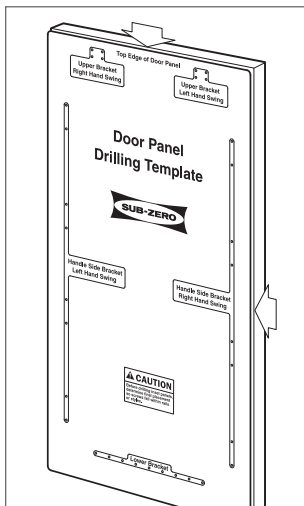
DOOR PANEL INSTALLATION

You should be sure of the door panel size and placement before proceeding with the installation. Refer to the chart for panel specifications. If you have questions, contact your authorized Sub-Zero dealer or cabinet supplier.

For door handle hardware, a D-style pull, centered on the edge opposite the door hinge side is recommended. Screw heads may need to be countersunk to ensure that the hardware does not interfere with the panel fitting flush with the door.

Remove the handle side bracket attached to the front of the door and set aside. Place the door panel lying face down on a protected surface to ensure that the front will not be scratched or damaged.

On the back of the panel, position the plastic template (provided) flush with the top and side edges. Be sure you are following the exact position for right-hand or left-hand door swing. Refer to the illustration below.



Template position.

Door Panel Specifications	
Panel Width	15" (381)
Panel Height	30 ³ / ₈ " (772)
Minimum Thickness	⁵ / ₈ " (16)
Maximum Weight	15 lbs (7 kg)

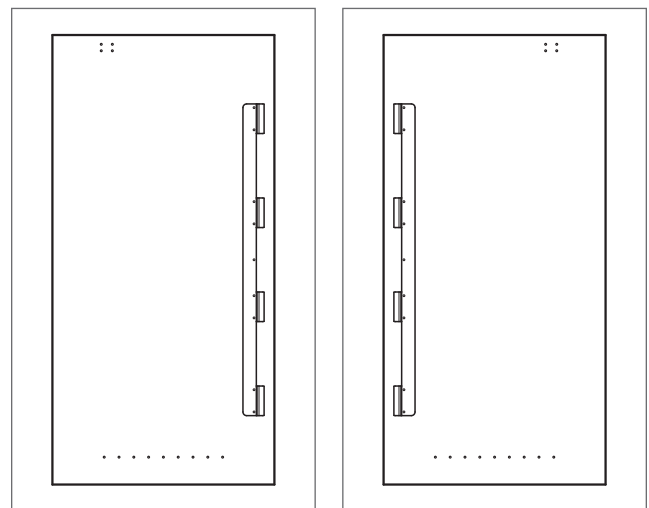
Dimensions based on ¹/₈" (3) reveal.

Panel dimensions in the chart are the minimum necessary to cover the door. The exact dimensions of your door panel may vary depending on your particular installation.

Once you have located the proper position for the hardware, mark the holes, remove template, and drill pilot holes for mounting the hardware. It is best to start the first few holes, position the hardware and then drill the remaining pilot holes. Secure the mounting brackets with #8 x ¹/₂" screws. Refer to the illustrations below.

Install the door panel by engaging the tabbed bracket to the door first and then sliding the hinge side hardware over the positioning screws. You will have a ¹/₄" (6) adjustment, up and down, and side to side.

Once you have the door in place, attach the remaining #8 x ¹/₂" screws to the hinge side mounting bracket and install the hinge covers. Refer to page 14.



Right-hand door panel.

Left-hand door panel.

Panel Installation

⚠ CAUTION

Exercise caution when drilling holes for mounting hardware. This is especially critical with inset panels.

⚠ CAUTION

If the reveal on the hinge side of the door panel is less than 1/4", and the panel has a square corner, severe finger pinching or damage to the unit may occur.

SIDE PANEL INSTALLATION

With the ice machine, you must securely fasten side panels to adjacent cabinets and floor. Brackets and screws are provided for mounting the unit to adjoining cabinets and side panels.

Side panels should be fastened to the floor and walls using L-shaped brackets (not included). To help move the unit into place, rout out an area in the floor so the bracket will sit flush with the floor.

Installation

INSTALL KICKPLATE

Once the ice machine is in position, install the kickplate using the screws provided. The kickplate must be removed for servicing. The floor cannot interfere with removal. Do not cover the vents of the kickplate to allow proper airflow. The door panel may hang in front of the vents, but a decorative kickplate must not cover the vents.

If you choose, the kickplate may be painted another color. Follow these steps: Rough up the surface to be painted with fine grit sandpaper. Wipe with alcohol to ensure that the surface is clean and dry. Use an appliance or industrial grade, oil base, high gloss enamel paint.

Installation

90° DOOR STOP

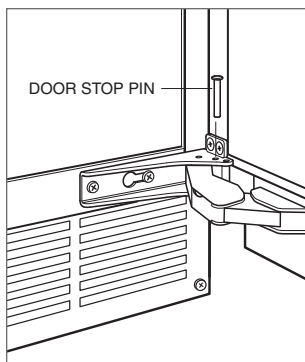
Door stop pins provided with the ice machine will limit the door swing to 90°. Follow these steps to install:

- 1) Open the door to approximately 80°.
- 2) Insert the stop pin into the bottom door hinge (pin enters from the top). Refer to the illustration below. The pin must be inserted until the head has made contact with the hinge body.
- 3) Insert the stop pin into the top door hinge (pin enters from the bottom).
- 4) Check for proper operation.

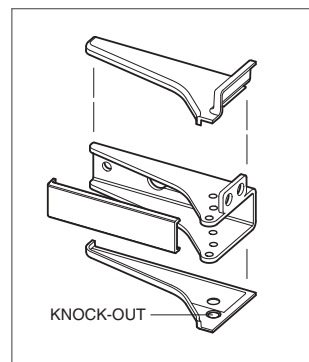
HINGE COVER INSTALLATION

Install the hinge covers after installation of the ice machine is complete. The 90° door stop must be installed prior to installing the hinge covers. It will be necessary to remove the knock-out in the hinge cover when the 90° door stop is used.

Make sure hinges are free of dirt or grease before applying covers. To install, remove backing paper from the adhesive pads and bond to the hinge. Attach the magnetic center covers. Refer to the illustration below.



90° door stop.



Hinge cover installation.

Installation Checklist

To ensure a safe and proper installation, the following checklist should be completed by the installer to ensure that no part of the installation has been overlooked.

INSTALLATION CHECKLIST

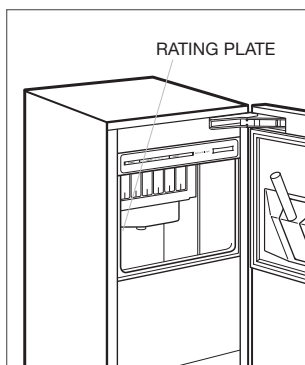
- Have all electrical and water connections been made?
- Is the power cord plugged into a properly grounded 3-prong outlet, which has been installed in accordance with all applicable electrical codes?
- Is the water supply turned on? Have water supply and drain connections been examined for leaks?
- Is the ice machine drain line routed to an open site drain for gravity drains and according to instructions for drain pump models?
- Has all packing materials and tape been removed?
- Is the ice machine level? Are all leveling legs making contact with the floor?
- Has the kickplate been installed properly? Is there proper clearance in front of the kickplate for airflow?
- If applicable, is the door panel installed properly?
- If applicable, has the 90° door stop been installed?
- Have hinge covers been installed?
- Has the ice machine and bin been sanitized?
- Does the customer understand the unit's operation and maintenance? Have you given the customer the warranty package?
- Have any installation or service problems been noted on the product registration card? Has the registration card been mailed in?
- If applicable, has the stainless steel door panel been inspected for any imperfections? This is to be done by the dealer or installer with the customer upon completion of the installation. Stainless steel panels are covered by a limited 60-day parts and labor warranty for cosmetic defects.

Service Information

If service is necessary, maintain the quality built into your ice machine by calling Sub-Zero factory certified service.

For the name and number of Sub-Zero factory certified service nearest you, check the contact & support section of our website, subzero.com or call Sub-Zero customer care at 800-222-7820.

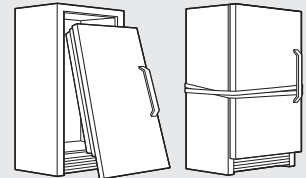
When calling for service, you will need the model and serial numbers of your unit. Both numbers are listed on the product rating plate, located in the upper left corner of the ice bin and on the back of the unit. Refer to the illustration below.



Location of rating plate.

▲ WARNING

If you are storing or disposing of your old refrigerator or freezer, please do it safely. Remove the doors or tightly secure the doors closed. Child entrapment accidents can be tragic.



The information and images in this guide are the copyright property of Sub-Zero, Inc. Neither this guide nor any information or images contained herein may be copied or used in whole or in part without the express written permission of Sub-Zero, Inc. ©Sub-Zero, Inc. all rights reserved.

Wolf, Wolf & Design, Wolf Gourmet, W & Design and the color red as applied to knobs are registered trademarks and service marks of Wolf Appliance, Inc. Sub-Zero, Sub-Zero & Design, Dual Refrigeration, Constant Care and The Living Kitchen are registered trademarks and service marks of Sub-Zero, Inc. (collectively, the "Company Marks.") All other trademarks or registered trademarks are property of their respective owners in the United States and other countries.



SUB-ZERO, INC. P. O. BOX 44848 MADISON, WI 53744 SUBZERO.COM 800.222.7820

7024818 REV-A

2/2012



Free Manuals Download Website

<http://myh66.com>

<http://usermanuals.us>

<http://www.somanuals.com>

<http://www.4manuals.cc>

<http://www.manual-lib.com>

<http://www.404manual.com>

<http://www.luxmanual.com>

<http://aubethermostatmanual.com>

Golf course search by state

<http://golfingnear.com>

Email search by domain

<http://emailbydomain.com>

Auto manuals search

<http://auto.somanuals.com>

TV manuals search

<http://tv.somanuals.com>