



15" Undercounter Wine Storage

Better wine storage conditions for the bottle ultimately means better enjoyment in the glass. Model 315W is a built-in single-zone wine storage unit with a capacity of 26 (750 ml) bottles. At 15" wide, this undercounter unit is perfect for those installations where space is an issue. Model 315W is available in overlay and stainless steel design applications.



Model 315W/S shown.

FEATURES

- Overlay and stainless steel design options.
- Maintains ideal storing and serving temperature for all wines, humidity and UV protection.
- Single temperature zone with range from 45°F to 55°F.
- Full-view, UV-resistant, high altitude glass door.
- Discreet interior lighting.
- Wine shelves accommodate 750 ml bottles, half-bottles and magnums.
- Roller-glide wine shelves with natural cherrywood facing have three-quarter extension for easy access.

MODEL OPTIONS

Design/Finish

315W/O

Overlay

315W/S

Stainless Steel

ACCESSORIES

- Stainless steel tubular and pro handles.
- 3" stainless steel filler strip.

Accessories are available through your Sub-Zero dealer. For local dealer information, visit the find a showroom section of our website, subzero.com.

ENEMIES OF WINE

Heat – Sub-Zero maintains wines' preferred habitat—cool and consistent—with a range of 45°F to 55°F.

Light – UV resistant bronze tinted glass shields wines from harmful rays.

Humidity – Evaporator maintains steady, moderate humidity.

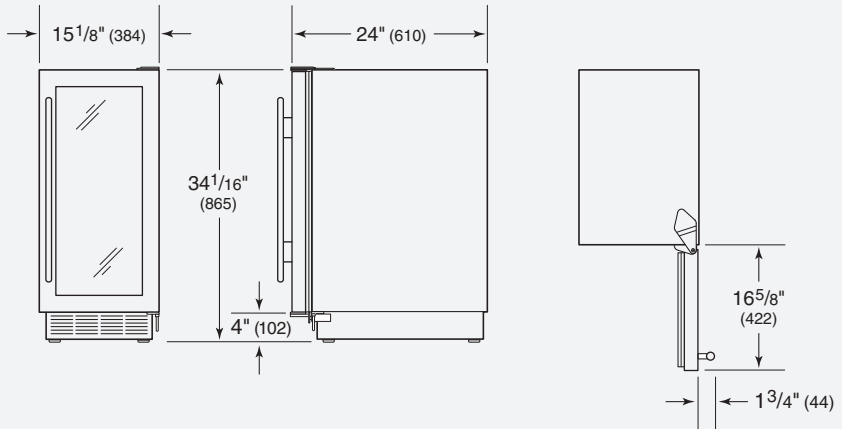
Vibration – Sub-Zero's quiet compressor lets wines rest undisturbed. Shelves glide out smoothly, providing access without agitating the wine.

For additional information on the enemies of wine, visit www.subzerowine.com.



15" Undercounter Wine Storage

OVERALL DIMENSIONS



Overall dimensions are based on stainless steel panels and handles.
Unit dimensions may vary by $\pm 1/8$ ".

SPECIFICATIONS

Overall Width	15 1/8"
Overall Height	34 1/16"
Overall Depth	24"
Door Clearance	16 5/8"
Wine Storage Capacity	26 bottles*
Opening Width	15 1/4"
Opening Height	34 1/2"
Opening Depth	24"
Electrical Requirements	115 V AC, 60 Hz 15 amp dedicated circuit

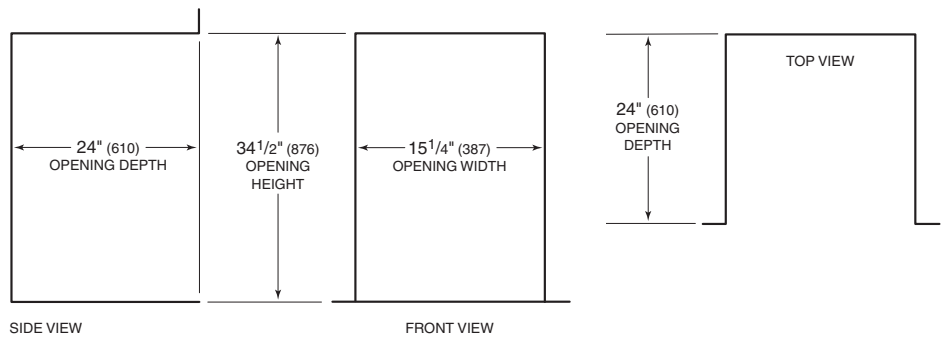
IMPORTANT NOTE: Although it can be located anywhere on the back wall, it is recommended that the receptacle be placed in an adjacent cabinet or in the lower right of the opening. If it is placed within the opening, additional cabinet depth may be required.

Shipping Weight 118 lbs

*750 ml bottles.

INSTALLATION SPECIFICATIONS

Opening Dimensions



INSTALLATION NOTES

For overlay models, you will be adding a door panel for a custom look. Overlay models also allow you to match surrounding cabinetry hardware.

Complete installation specifications, including panel sizes, can be found on our website, subzero.com/specs.

Dimensions in parentheses are in millimeters unless otherwise specified.

Free Manuals Download Website

<http://myh66.com>

<http://usermanuals.us>

<http://www.somanuals.com>

<http://www.4manuals.cc>

<http://www.manual-lib.com>

<http://www.404manual.com>

<http://www.luxmanual.com>

<http://aubethermostatmanual.com>

Golf course search by state

<http://golfingnear.com>

Email search by domain

<http://emailbydomain.com>

Auto manuals search

<http://auto.somanuals.com>

TV manuals search

<http://tv.somanuals.com>