

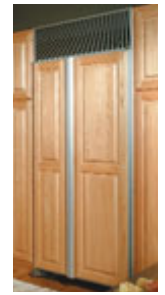


**Built-In Model 661
Side-by-Side**

Model 661 is our smallest side-by-side refrigerator/freezer. The built-in design at true cabinet depth, allows easy access to every inch of the interior. The Sub-Zero dual refrigeration system assures superior food preservation and no odor transfer. Model 661 is available in the framed, overlay and stainless steel design applications and in three stainless steel finishes.



Overlay



Framed



Classic
Stainless Steel

Features

- Framed, overlay and stainless steel design applications
- Stainless steel design available in classic, platinum and carbon finishes
- Dual refrigeration system
- Electronic digital controls
- Bright interior lighting
- Adjustable, spill-proof glass shelves and adjustable door shelves
- High-humidity crisper drawer
- Door alarm
- Automatic ice maker
- Front venting allows unit to be completely built in and serviced from the front
- Meets strict Department of Energy requirements

Model Options

	661/F	661/O	661/S	661/P	661/B
Design/Finish	Framed	Overlay	Classic	Platinum	Carbon
Louvered Grille	■				
Panel Grille – Accepts Decorative Inserts		■			
Heavy-Duty Stainless Steel Grille			■	■	■

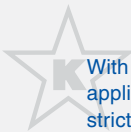
Interior Features

- **Refrigerator**
 - 4 Adjustable Glass Shelves
 - 1 Stationary Glass Shelf
 - High Humidity Compartment
 - 1 Storage Drawer
 - Adjustable Roll-Out Deli Basket
 - 3 Adjustable Door Shelves
 - Adjustable Dairy Compartment
 - Egg Container
- **Freezer**
 - Automatic Ice Maker
 - 2 Adjustable Wire Shelves
 - 1 Stationary Solid Shelf
 - 4 Storage Drawers
 - 5 Adjustable Door Shelves

Accessories

- Louvered, panel and stainless steel (classic, platinum and carbon) grilles in 1" height increments from 10" to 15"
- 11" Heavy-duty classic stainless steel grille (standard on classic stainless steel units)
- Front and grille panels for framed design (white and classic stainless steel)
- Side panels in white and classic stainless steel
- Extended full-length framed handles
- Stainless steel (classic, platinum and carbon) tubular handles for overlay design
- Polished chrome handles for overlay design
- Dozen egg container with lid
- 90° and 105° door stop kits

Accessories are available through your Sub-Zero dealer. To obtain local dealer information, visit the Locator section of our website, subzero.com.



With the installation of a harness kit, this appliance is certified by Star-K to meet strict religious regulations in conjunction with specific instructions found on www.star-k.org.



Classic



Platinum



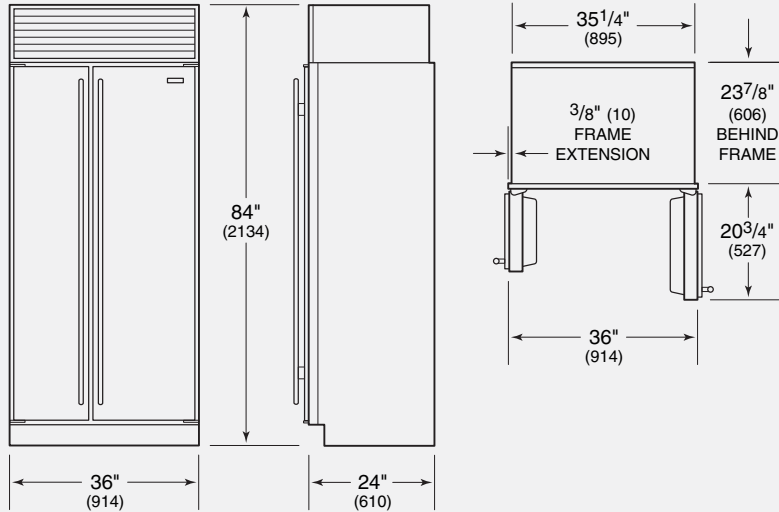
Carbon





**Built-In Model 661
Side-by-Side**

Overall Dimensions



Unit dimensions may vary by $\pm 1/8$ ".

Specifications

Overall Width	36"
Overall Height (with standard 11" grille)	84"
Overall Depth	24"
Door Swing Clearance	20 ³ / ₄ "
Refrigerator Capacity	12.5 cu ft
Freezer Capacity	8.8 cu ft
Opening Width	35 ¹ / ₂ "
Opening Height	83 ³ / ₄ **
Minimum Height Required	83"
Opening Depth	24" D
Electrical Requirements	115 V AC, 60 Hz 15 amp dedicated circuit
Plumbing Requirements	1/4" OD copper line 20–100 psi
Annual Energy Usage	\$58**
Shipping Weight	Framed – 500 lbs Overlay – 500 lbs Stainless Steel – 538 lbs

*Height with standard 11" grille.

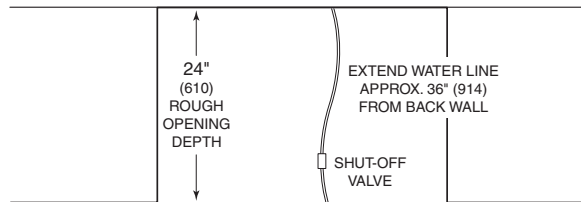
**Based on 9.06 cents per kilowatt hour.

Installation Notes

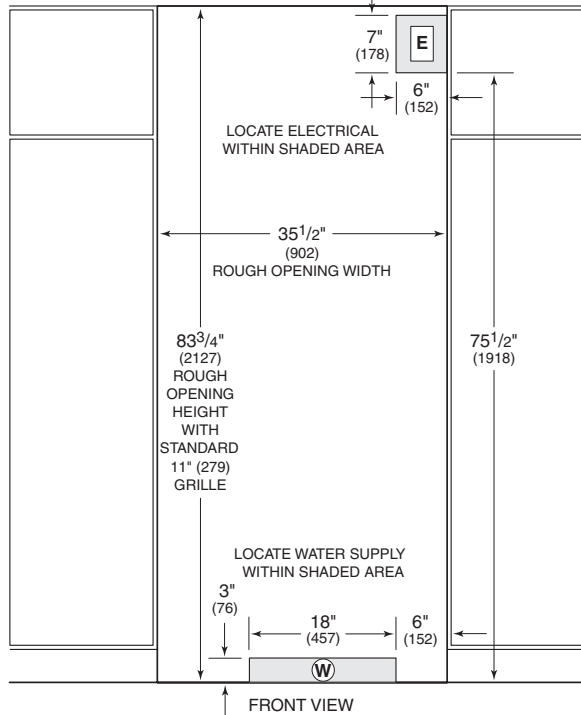
For framed and overlay models, you will be adding door panels for a custom look. Overlay models also allow you to match surrounding cabinetry hardware and the panel grille accepts custom panel inserts.

Complete installation specifications, including panel sizes, can be found on our website, subzero.com.

Installation Specifications



TOP VIEW



FRONT VIEW

Dimensions in parentheses are in millimeters unless otherwise specified.

Free Manuals Download Website

<http://myh66.com>

<http://usermanuals.us>

<http://www.somanuals.com>

<http://www.4manuals.cc>

<http://www.manual-lib.com>

<http://www.404manual.com>

<http://www.luxmanual.com>

<http://aubethermostatmanual.com>

Golf course search by state

<http://golfingnear.com>

Email search by domain

<http://emailbydomain.com>

Auto manuals search

<http://auto.somanuals.com>

TV manuals search

<http://tv.somanuals.com>