

BUILT-IN DESIGN GUIDE





Contents

Built-In Design Options	4	Dispenser Specifications	28
Model Specifications	6	Side Panels	29
Planning Information	9	Dual Installations	30
Framed Panels	12	Accessories	37
Overlay Panels	18	Full-Scale Templates	38
Flush Inset Panels	22	Sub-Zero Warranty	42

Features and specifications indicated herein and on our website are subject to change at any time without notice. Check our website, subzero.com, for the most up-to-date specifications.

SUB-ZERO® is a registered trademark of Sub-Zero, Inc.

Introducing New Built-In Refrigeration. Beginning in Fall, 2008, you will have a new line of built-in refrigeration to offer your clients. We have re-engineered—exterior and interior—our built-in product line to offer you the best in design options, and your clients the best in food preservation. The 600 series as you understand it now will be gone and the new offering will take its place. We will have new panel sizes, model numbers and many new features. Review this design guide for general specification information and keep coming back to the trade section of our website, subzerotrade.com, for new information during the coming months.

Model Numbers. The cross-reference chart below provides a listing of the new built-in model numbers and the existing 600 series model numbers they are replacing.

New Built-In Model	600 Series
ALL REFRIGERATOR / ALL FREEZER	
BI-36R	601R
BI-36RG	601RG
BI-36F	601F
OVER-AND-UNDER	
BI-30U	611
BI-30UG	611G
BI-36U	650
BI-36UG	650G
SIDE-BY-SIDE	
BI-36S	661
BI-42S	642
BI-42SD	685
BI-48S	632
BI-48SD	695
EXAMPLES	
BI-30UG/O-RH	611G/O-RH
BI-48SD/F	695/F

Model Number Key	
MODEL	BI-36UG/S/PH-RH
PRODUCT TYPE	_____
WIDTH	_____
STYLE	_____
FEATURE	_____
DESIGN	_____
HANDLE	_____
DOOR SWING	_____
PRODUCT TYPE	
Built-In Refrigeration	BI
WIDTH	
30" (762)	30
36" (914)	36
42" (1067)	42
48" (1219)	48
STYLE	
All Refrigerator	R
All Freezer	F
Over-and-Under	U
Side-by-Side	S
FEATURE	
Glass Door	G
High Altitude Glass	A
Ice and Water Dispenser	D
DESIGN	
Framed	/F
Overlay or Flush Inset	/O
Classic Stainless Steel	/S
HANDLE (classic stainless steel models)	
Tubular Handle	/TH
Curved Handle	/CH
Pro Handle	/PH
DOOR SWING	
Right-Hand Swing	-RH
Left-Hand Swing	-LH



Built-In Design Options. A design classic is now even better. Four distinct design approaches provide limitless flexibility for creating a beautiful kitchen. New lower profile hinges enable the new built-in units to merge more seamlessly with surrounding cabinetry. Three handle options coordinate with Wolf cooking products.



Framed. Custom cabinetry panels slide into the framed door to blend into the kitchen design. The framed design comes with a standard louvered grille and extruded handles.



Overlay. Custom cabinet overlay panels can be combined with unique hardware for design flexibility. Shown with curved handle option to compliment Wolf E Series ovens.

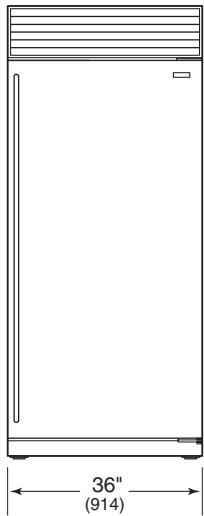


Flush Inset. This brand new design option allows for a flush door and grille. Classic, platinum and carbon stainless steel panels are available as sales accessories. Shown with tubular handle option to mirror Wolf L Series ovens.

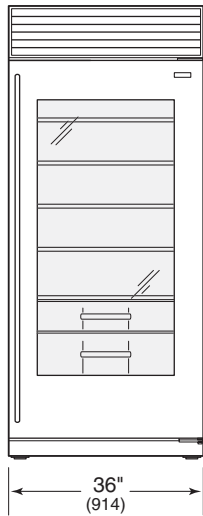


Stainless Steel. For a professional look, classic stainless is standard and requires no customization. To compliment the look of Wolf ranges, choose the Pro handle option shown here.

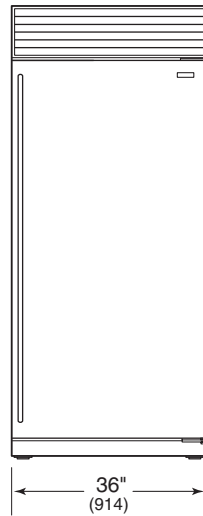
All Refrigerator / All Freezer Models



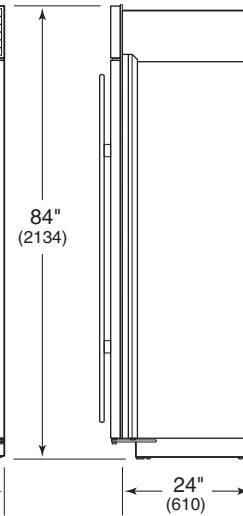
Model BI-36R
ALL REFRIGERATOR



Model BI-36RG
ALL REFRIGERATOR
GLASS DOOR



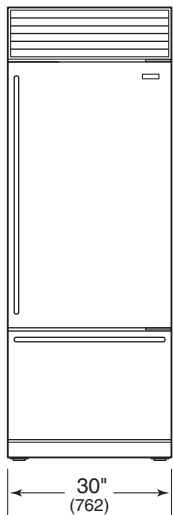
Model BI-36F
ALL FREEZER



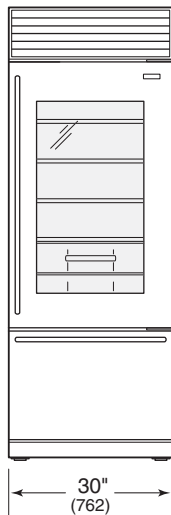
SIDE VIEW

IMPORTANT NOTE:
The heights of the All Refrigerator / All Freezer Models have increased from 73" (1854) to 84" (2134).

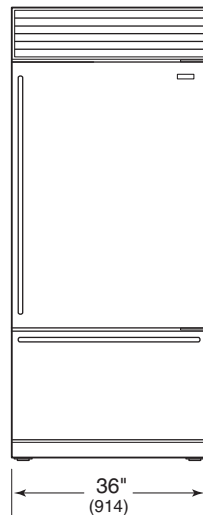
Over-and-Under Models



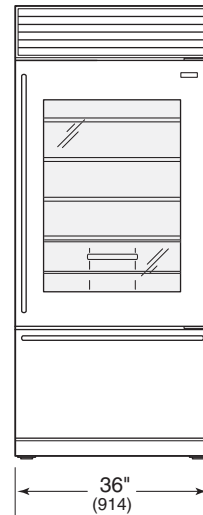
Model BI-30U



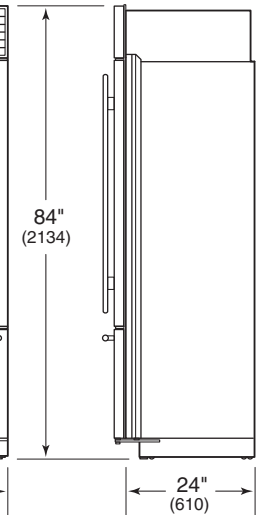
Model BI-30UG
WITH GLASS DOOR



Model BI-36U

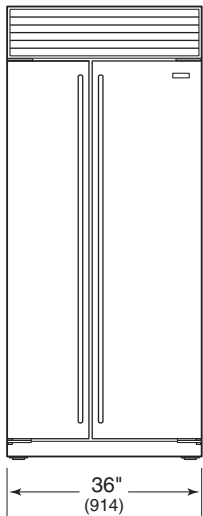


Model BI-36UG
WITH GLASS DOOR

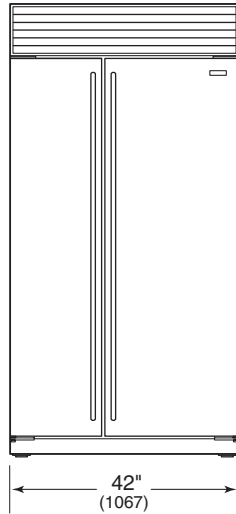


SIDE VIEW

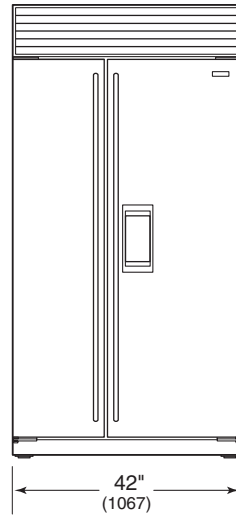
Side-by-Side Models



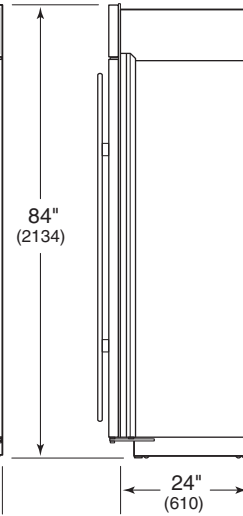
Model BI-36S



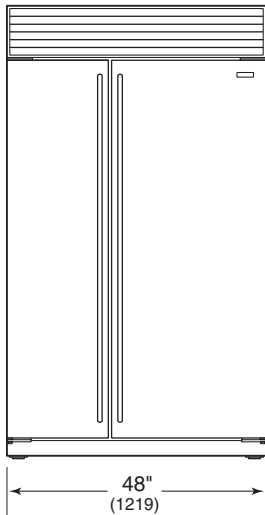
Model BI-42S



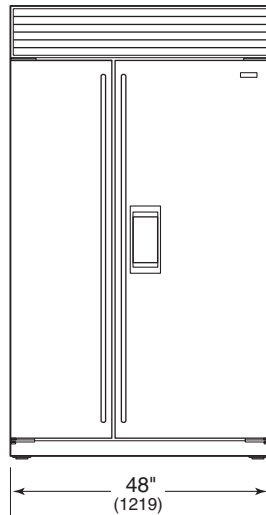
Model BI-42SD
WITH DISPENSER



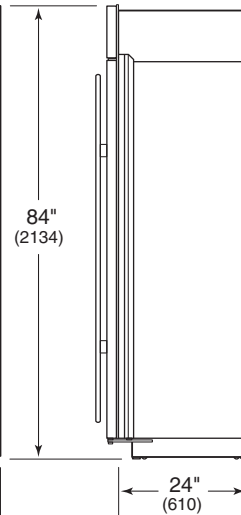
SIDE VIEW



Model BI-48S



Model BI-48SD
WITH DISPENSER

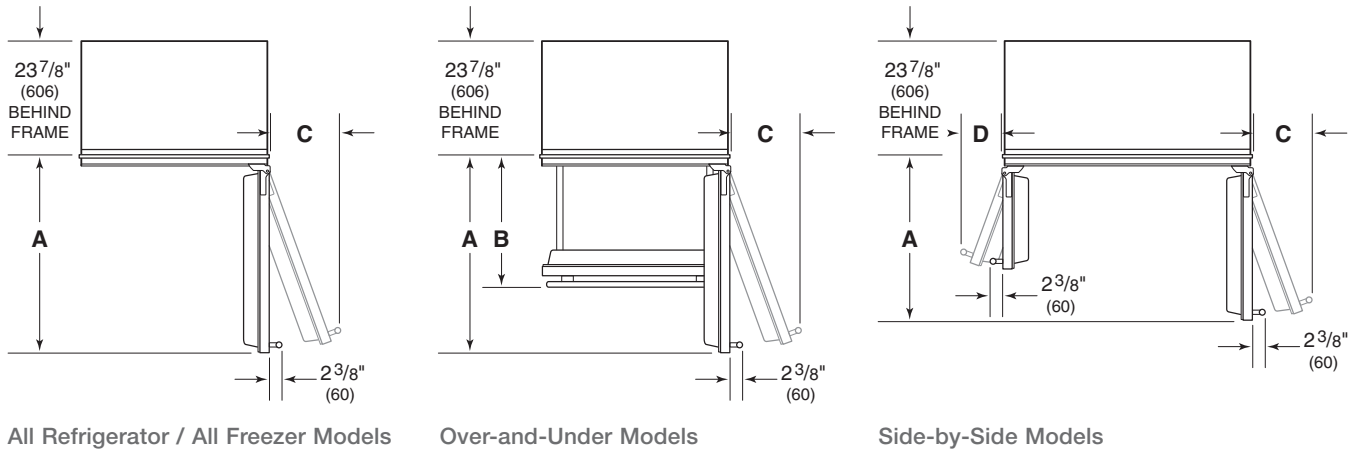


SIDE VIEW

Models are shown in the stainless steel design.

IMPORTANT NOTE: Throughout this guide, dimensions in parentheses are millimeters unless otherwise specified.

Door Clearance



Door Clearance				
ALL REFRIGERATOR / ALL FREEZER				
	A		C	
BI-36R, BI-36RG and BI-36F	37 1/4" (946)		17" (432)	
OVER-AND-UNDER				
	A	B	C	
BI-30U and BI-30UG	31 1/4" (796)	23 5/8" (600)	14 1/2" (368)	
BI-36U and BI-36UG	37 1/4" (946)	23 5/8" (600)	17" (432)	
SIDE-BY-SIDE				
	A	C	D	
BI-36S	22 1/4" (565)	10 1/4" (260)	8 1/2" (216)	
BI-42S and BI-42SD	26 1/4" (668)	12 1/2" (318)	8 3/4" (222)	
BI-48S and BI-48SD	30" (762)	14" (356)	9 3/4" (248)	

The doors of all built-in models open to a maximum of 110°. A 90° door stop is shipped with all units. For additional information, refer to the full-scale templates at the end of this guide. The handle depth reflects the tubular, curved and pro handles. For framed handle profile, refer to the full-scale template on page 38.

IMPORTANT NOTE: For flush inset applications, add 1/2" (13) to dimension (A).

Interior Capacity / Weight

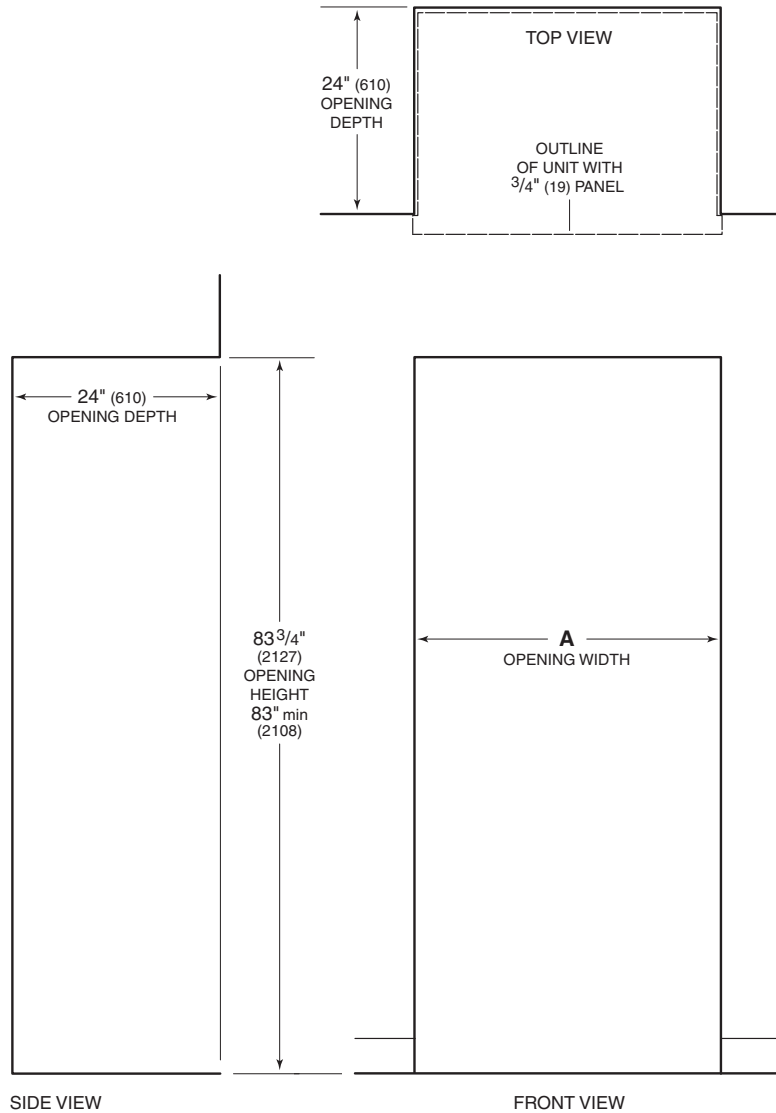
Capacity / Weight	R	F	W
BI-36R	23.3 (660)		420 (191)
BI-36RG	23.5 (665)		430 (195)
BI-36F		22.8 (646)	406 (184)
BI-30U	12.7 (361)	4.1 (116)	462 (210)
BI-30UG	12.9 (367)	4.1 (116)	476 (216)
BI-36U	15.9 (450)	5.2 (148)	515 (234)
BI-36UG	16.1 (447)	5.2 (142)	529 (240)

Capacity / Weight	R	F	W
BI-36S	12.2 (346)	8.0 (227)	538 (244)
BI-42S	16.0 (455)	8.0 (227)	582 (264)
BI-42SD	15.9 (452)	8.1 (230)	608 (276)
BI-48S	18.8 (532)	9.5 (269)	630 (286)
BI-48SD	18.7 (530)	9.6 (272)	656 (298)

Refrigerator (R) and freezer (F) interior capacities are listed in cubic feet and (liters). Shipping weights (W) are listed in pounds and (kilograms) and are based on stainless steel models.

Standard Installation Opening Dimensions

Framed, Overlay and Classic Stainless Steel Models



Opening Width	A
BI-36R, BI-36RG and BI-36F	35 1/2" (902)
BI-30U and BI-30UG	29 1/2" (746)
BI-36U and BI-36UG	35 1/2" (902)
BI-36S	35 1/2" (902)
BI-42S and BI-42SD	41 1/2" (1054)
BI-48S and BI-48SD	47 1/2" (1206)

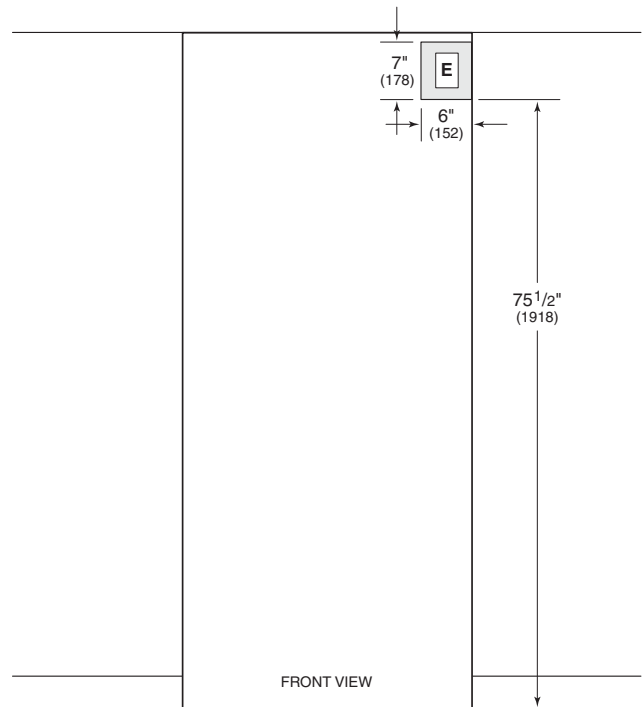
IMPORTANT NOTE: If two units are installed side by side, refer to pages 30–31 for dual standard installations.

Classic stainless steel models are ready to install out of the box.

Electrical Requirements. For all built-in models, the electrical supply should be located within the shaded area shown in the illustration. Follow the National Electrical Code and local codes and ordinances when installing the receptacle. A separate circuit, servicing only this appliance is required.

IMPORTANT NOTE: A ground fault circuit interrupter (GFCI) is not recommended and may cause interruption of operation.

Electrical Requirements	
Power Supply	115 V AC, 60 Hz
Circuit Breaker	15 amp
Receptacle	3-prong grounding-type

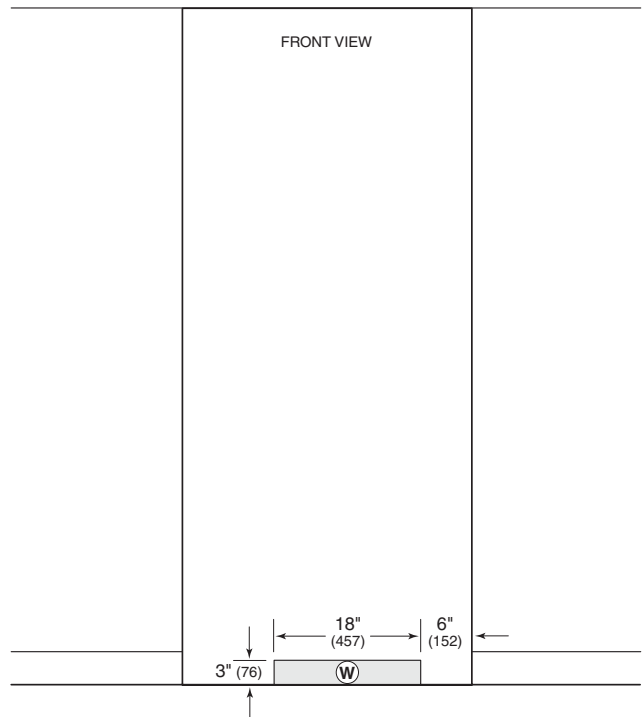
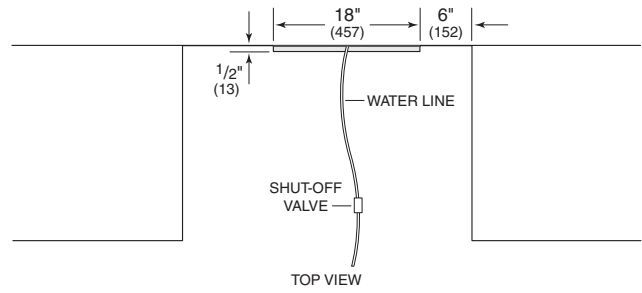


Location of electrical supply.

Plumbing Requirements. All built-in models with an automatic ice maker come with a microbiological water filtration system. The water supply line should be located within the shaded area shown in the illustration. The water supply line should be connected to the house supply with an easily accessible shut-off valve between the supply and the unit. Do not use self-piercing valves. A saddle valve kit (4200880) is available from your Sub-Zero dealer. The water line must not interfere with installation of the anti-tip brackets.

IMPORTANT NOTE: A reverse osmosis system can be used provided there is constant water pressure of 30 psi (2.1 bar) to 100 psi (6.9 bar) supplied to the unit at all times. In this application, the microbiological water filtration system should be set to bypass mode by removing the water filter cartridge and inserting the bypass plug (7005018) available from your Sub-Zero dealer. Installation instructions packed with the unit will outline this procedure.

Plumbing Requirements	
Water Supply Line	1/4" OD copper line
Water Pressure	30–100 psi (2.1–6.9 bar)
Excess Water Line for Connection	36" (914)



Location of water supply.

Framed



Custom cabinetry panels slide into the framed door to blend into the kitchen design. The framed design comes with a standard louvered grille and extruded handles.

Framed Panels. If you and your client have ordered a framed model, you will be adding panels to give the unit the traditional Sub-Zero look. The framed panel design option is available for all built-in framed models. For exact door panel dimensions for built-in framed models, refer to framed panel specifications on the following pages. Also refer to the full-scale templates at the end of this guide for additional panel and handle considerations.

The traditional framed models come with an elegant, smooth, full-length handle. Optional extended full-length handles that provide additional finger clearance for raised panels are available through your Sub-Zero dealer.

Framed Panel Requirements

MAX WEIGHT PER PANEL

BI-36R, BI-36RG and BI-36F	75 lbs (34 kg)
All Other Framed Models	50 lbs (23 kg)

MIN PANEL THICKNESS

All Framed Panels	1/4" (6)
-------------------	----------

Framed Panels. If the thickness of the custom panels is less than $\frac{1}{4}$ " (6), they must be backed up with a sheet of shim material to build the total thickness to $\frac{1}{4}$ " (6). If the panel is thicker than $\frac{1}{4}$ " (6), a routed edge must be provided around the panel to ensure a proper fit. Refer to the illustrations.

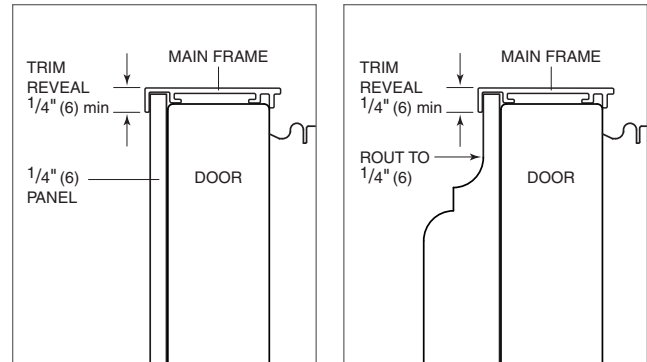
IMPORTANT NOTE: On all framed models, routing, recessing or optional extended handles may be required on raised panels for finger clearance under the handle. Refer to the full-scale templates at the end of this guide.

IMPORTANT NOTE: On glass door models, the edges of the window cut-out will need to be finished, as they will be exposed.

IMPORTANT NOTE: When installing two units in a side by side application, refer to pages 30–31 for dual standard installations. Be aware that rough opening dimensions are different for this application.

⚠ CAUTION

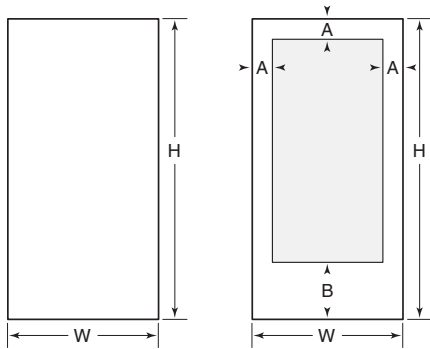
Do not exceed the framed decorative panel dimensions. Exceeding dimensions could cause damage to the panels and the Sub-Zero unit.



Panels $\frac{1}{4}$ " (6) thick or less.

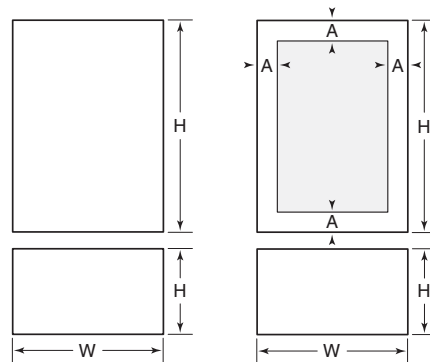
Panels thicker than $\frac{1}{4}$ " (6).

Framed Panel Specifications



BI-36R / BI-36F

BI-36RG



BI-30U / BI-36U

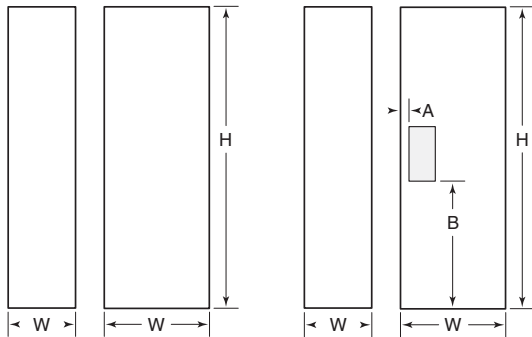
BI-30UG / BI-36UG

Models BI-36R, BI-36RG and BI-36F			
REFRIGERATOR/FREEZER	W	H	
Door Panel	35 ³ / ₄ " (908)	69 ⁹ / ₁₆ " (1767)	
BI-36RG	W	H	
Window Cut-Out	25 ¹ / ₂ " (648)	54 ¹ / ₁₆ " (1373)	
Cut-Out Location	A	B	
	5 ³ / ₁₆ " (132)	10 ⁵ / ₁₆ " (262)	

Models BI-30U and BI-30UG			
REFRIGERATOR	W	H	
Door Panel	29 ³ / ₄ " (756)	49 ¹⁵ / ₁₆ " (1268)	
FREEZER	W	H	
Drawer Panel	29 ³ / ₄ " (756)	18 ¹¹ / ₁₆ " (475)	
BI-30UG	W	H	
Window Cut-Out	19 ¹ / ₂ " (495)	39 ¹¹ / ₁₆ " (1008)	
Cut-Out Location		A	
		5 ³ / ₁₆ " (132)	

Models BI-36U and BI-36UG			
REFRIGERATOR	W	H	
Door Panel	35 ³ / ₄ " (908)	49 ¹⁵ / ₁₆ " (1268)	
FREEZER	W	H	
Drawer Panel	35 ³ / ₄ " (908)	18 ¹¹ / ₁₆ " (475)	
BI-36UG	W	H	
Window Cut-Out	25 ¹ / ₂ " (648)	39 ¹¹ / ₁₆ " (1008)	
Cut-Out Location		A	
		5 ³ / ₁₆ " (132)	

Framed Panel Specifications



BI-36S / BI-42S / BI-48S BI-42SD / BI-48SD

Model BI-36S			
REFRIGERATOR		W	H
Door Panel	19 ¹³ / ₁₆ " (503)	69 ⁹ / ₁₆ " (1767)	
FREEZER		W	H
Door Panel	15 ⁷ / ₁₆ " (392)	69 ⁹ / ₁₆ " (1767)	

Models BI-42S and BI-42SD			
REFRIGERATOR		W	H
Door Panel	24 ¹³ / ₁₆ " (630)	69 ⁹ / ₁₆ " (1767)	
FREEZER		W	H
Door Panel	16 ⁷ / ₁₆ " (418)	69 ⁹ / ₁₆ " (1767)	
BI-42SD		W	H
Dispenser Cut-Out	5 ⁷ / ₈ " (149)	12 ⁷ / ₁₆ " (316)	
Cut-Out Location	1 ⁷ / ₈ " (48)	28 ³ / ₄ " (730)	

Models BI-48S and BI-48SD			
REFRIGERATOR		W	H
Door Panel	28 ¹ / ₂ " (724)	69 ⁹ / ₁₆ " (1767)	
FREEZER		W	H
Door Panel	18 ³ / ₄ " (418)	69 ⁹ / ₁₆ " (1767)	
BI-48SD		W	H
Dispenser Cut-Out	5 ⁷ / ₈ " (149)	12 ⁷ / ₁₆ " (316)	
Cut-Out Location	1 ⁷ / ₈ " (48)	28 ³ / ₄ " (730)	

For Models BI-42SD and BI-48SD, panel thickness in the dispenser area can range from 1/4" (6) to a maximum of 1 1/8" (29). If the panel is thicker, you must rout out a minimum 1/4" (6) flat landing area to accommodate the glasswell bezel.

Optional Panel Grille. A louvered grille, providing an 84" (2134) overall unit height, is standard on framed applications. You may choose to use Sub-Zero's optional panel grille for your application. The panel grilles can be used with all built-in models and are available for 83" (2108), 84" (2134) and 88" (2235) overall unit heights.

Grille panel dimensions listed are for a standard 84" (2134) overall height of the unit. For an 83" (2108) overall height, subtract 1" (25) from grille panel height dimensions. For an 88" (2235) overall height, add 4" (102) to height dimensions.

Optional Grille Panel	W	H
30" (762) Models	29 ³ / ₄ " (756)	8 ¹⁵ / ₁₆ " (227)
36" (914) Models	35 ³ / ₄ " (908)	8 ¹⁵ / ₁₆ " (227)
42" (1067) Models	41 ³ / ₄ " (1060)	8 ¹⁵ / ₁₆ " (227)
48" (1219) Models	47 ³ / ₄ " (1213)	8 ¹⁵ / ₁₆ " (227)

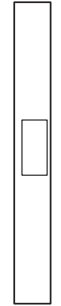
Grille Panel Requirements	
MAX WEIGHT	
Grille Panel	13 lbs (6 kg)
MIN PANEL THICKNESS	
Grille Panel	1/4" (6)



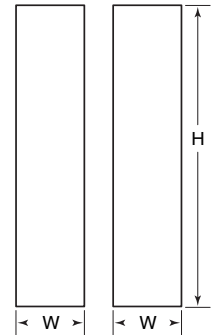
Optional panel grille.

Partial Framed Option. If you choose not to use custom panels above and below the glasswell for dispenser Model BI-42SD or BI-48SD, a stainless steel insert panel is available as a sales accessory. This accessory kit includes partial framed molding and classic stainless steel panel to provide a spill-resistant finish above and below the glasswell on the refrigerator door only. The partial framed accessory kit (7004855) is available through your Sub-Zero dealer. Refer to panel dimensions for the partial framed option below.

IMPORTANT NOTE: When using raised panels with the partial framed kit, a 1/2" (13) trim reveal down to 1/4" (6) thickness is necessary at the bezel for the panels to fit properly.



Partial Framed Kit



BI-42SD / BI-48SD
Partial Framed Option

Optional Partial Framed Panels			
MODEL BI-42SD	W	H	
Refrigerator Panel	15 ¹ / ₁₆ " (383)	69 ⁹ / ₁₆ " (1767)	
Freezer Panel	15 ¹ / ₁₆ " (383)	69 ⁹ / ₁₆ " (1767)	
MODEL BI-48SD	W	H	
Refrigerator Panel	16 ³ / ₄ " (425)	69 ⁹ / ₁₆ " (1767)	
Freezer Panel	16 ³ / ₄ " (425)	69 ⁹ / ₁₆ " (1767)	



Custom cabinet overlay panels can be combined with unique hardware for design flexibility. Shown with curved handle option to compliment Wolf E Series ovens.

Overlay Panels. If you and your client have ordered an overlay model, you will be adding panels and handles to give the unit a more custom look. The overlay panel design option is available for all built-in overlay models. For exact door panel dimensions, refer to overlay panel specifications on the following pages.

IMPORTANT NOTE: Overlay models can be used in a overlay or a flush inset application. Be aware that the application specified will affect panel sizes, rough opening dimensions and installation.

The overlay design allows decorative panels to cover the door trim for a more seamless appearance that blends with the design of the room. The most common way to achieve this look is to work with three panels—the decorative overlay panel which is typically 3/4" (19), a .10" (3) spacer panel and a 1/4" (6) backer panel. Depending on your cabinet manufacturer, this could also be one panel routed for different dimensions.

Regardless of the physical construction of the panels (three-panel assembly or routed panel), you will need to follow the overlay panel specifications on the following pages for exact sizing and panel placement to ensure a proper fit.

Overlay Panel Requirements

MAX WEIGHT PER PANEL

BI-36R, BI-36RG and BI-36F	75 lbs (34 kg)
All Other Overlay Models	50 lbs (23 kg)
Grille Panel	13 lbs (6 kg)

MIN PANEL THICKNESS

All Overlay Panels	5/8" (16)
--------------------	-----------

Overlay

Overlay Panels. The illustrations provide a cross section view of the three-panel assembly showing placement of the trim and a rear view of the three-panel assembly with critical dimensions, standard for all built-in models.

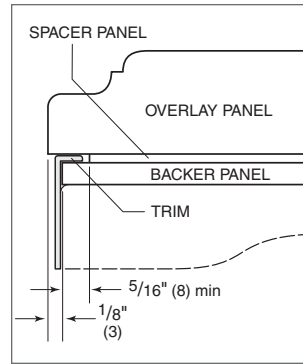
Overlay grille panels for the panel grille match the design of the overlay door panels. Dimensions for the grille panel are listed in the overlay panel specifications on the following pages.

IMPORTANT NOTE: On glass door models, the edges of the window cut-out will need to be finished, as they will be exposed.

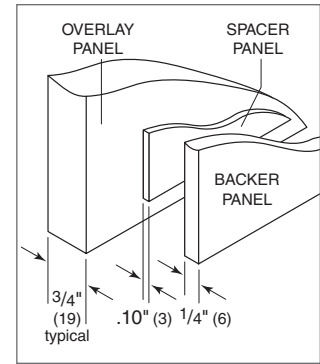
IMPORTANT NOTE: When installing two units in a side by side application, refer to pages 30–31 for dual standard installations. Be aware that rough opening dimensions are different for this application.

⚠ CAUTION

Do not exceed the overlay decorative panel dimensions. Exceeding dimensions could cause damage to the panels and the Sub-Zero unit.

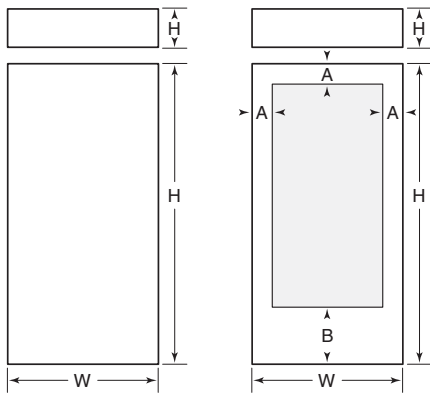


Panel assembly cross section.



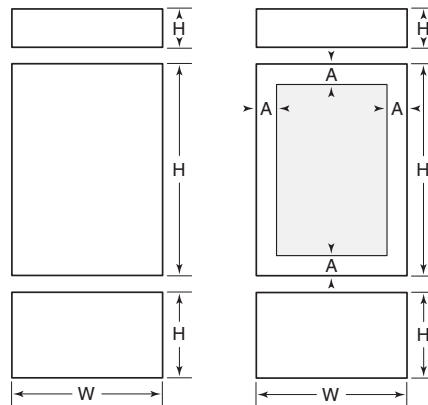
Panel assembly rear view.

Overlay Panel Specifications



BI-36R / BI-36F

BI-36RG



BI-30U / BI-36U

BI-30UG / BI-36UG

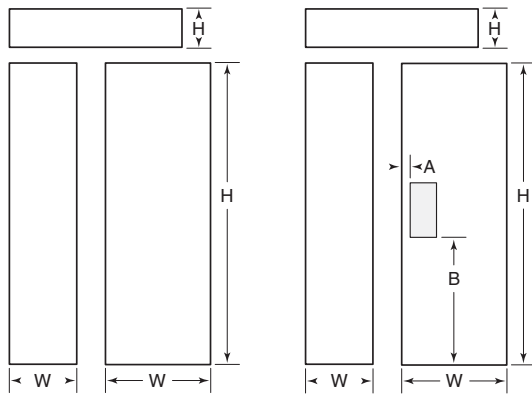
Models BI-36R, BI-36RG and BI-36F			
REFRIGERATOR/FREEZER	W	H	
Overlay Panel	36" (914)	69 ³ / ₄ " (1772)	
Spacer Panel	35 ¹ / ₈ " (892)	68 ¹⁵ / ₁₆ " (1751)	
Backer Panel	35 ³ / ₄ " (908)	69 ⁹ / ₁₆ " (1767)	
GRILLE	W	H	
Overlay Panel	36" (914)	9 ¹ / ₄ " (235)	
Spacer Panel	35 ¹ / ₈ " (892)	8 ⁵ / ₁₆ " (211)	
Backer Panel	35 ³ / ₄ " (908)	8 ¹⁵ / ₁₆ " (227)	
BI-36RG	W	H	
Window Cut-Out	25 ¹ / ₂ " (648)	54 ¹ / ₈ " (1375)	
Cut-Out Location	5 ¹ / ₄ " (133)	10 ³ / ₈ " (264)	

Models BI-30U and BI-30UG			
REFRIGERATOR	W	H	
Overlay Panel	30" (762)	50 ¹ / ₈ " (1273)	
Spacer Panel	29 ¹ / ₈ " (740)	49 ⁵ / ₁₆ " (1253)	
Backer Panel	29 ³ / ₄ " (756)	49 ¹⁵ / ₁₆ " (1268)	
FREEZER	W	H	
Overlay Panel	30" (762)	19" (483)	
Spacer Panel	29 ¹ / ₈ " (740)	18 ¹ / ₁₆ " (459)	
Backer Panel	29 ³ / ₄ " (756)	18 ¹¹ / ₁₆ " (475)	
GRILLE	W	H	
Overlay Panel	30" (762)	9 ¹ / ₄ " (235)	
Spacer Panel	29 ¹ / ₈ " (740)	8 ⁵ / ₁₆ " (211)	
Backer Panel	29 ³ / ₄ " (756)	8 ¹⁵ / ₁₆ " (227)	
BI-30UG	W	H	
Window Cut-Out	19 ¹ / ₂ " (495)	39 ⁵ / ₈ " (1006)	
Cut-Out Location		5 ¹ / ₄ " (133)	

Models BI-36U and BI-36UG			
REFRIGERATOR	W	H	
Overlay Panel	36" (914)	50 ¹ / ₈ " (1273)	
Spacer Panel	35 ¹ / ₈ " (892)	49 ⁵ / ₁₆ " (1253)	
Backer Panel	35 ³ / ₄ " (908)	49 ¹⁵ / ₁₆ " (1268)	
FREEZER	W	H	
Overlay Panel	36" (914)	19" (483)	
Spacer Panel	35 ¹ / ₈ " (892)	18 ¹ / ₁₆ " (459)	
Backer Panel	35 ³ / ₄ " (908)	18 ¹¹ / ₁₆ " (475)	
GRILLE	W	H	
Overlay Panel	36" (914)	9 ¹ / ₄ " (235)	
Spacer Panel	35 ¹ / ₈ " (892)	8 ⁵ / ₁₆ " (211)	
Backer Panel	35 ³ / ₄ " (908)	8 ¹⁵ / ₁₆ " (227)	
BI-36UG	W	H	
Window Cut-Out	25 ¹ / ₂ " (648)	39 ⁵ / ₈ " (1006)	
Cut-Out Location		5 ¹ / ₄ " (133)	

Grille panel dimensions listed are for a standard 84" (2134) overall height of the unit. For an 83" (2108) overall height, subtract 1" (25) from grille panel height dimensions. For an 88" (2235) overall height, add 4" (102) to height dimensions. Width dimensions do not vary.

Overlay Panel Specifications



BI-36S / BI-42S / BI-48S BI-42SD / BI-48SD

Model BI-36S			
REFRIGERATOR		W	H
Overlay Panel	20 ¹ / ₁₆ " (510)	69 ³ / ₄ " (1772)	
Spacer Panel	19 ³ / ₁₆ " (487)	68 ¹⁵ / ₁₆ " (1751)	
Backer Panel	19 ¹³ / ₁₆ " (503)	69 ⁹ / ₁₆ " (1767)	
FREEZER		W	H
Overlay Panel	15 ¹¹ / ₁₆ " (398)	69 ³ / ₄ " (1772)	
Spacer Panel	14 ¹³ / ₁₆ " (376)	68 ¹⁵ / ₁₆ " (1751)	
Backer Panel	15 ⁷ / ₁₆ " (392)	69 ⁹ / ₁₆ " (1767)	
GRILLE		W	H
Overlay Panel	36" (914)	9 ¹ / ₄ " (235)	
Spacer Panel	35 ¹ / ₈ " (892)	8 ⁵ / ₁₆ " (211)	
Backer Panel	35 ³ / ₄ " (908)	8 ¹⁵ / ₁₆ " (227)	

Models BI-42S and BI-42SD			
REFRIGERATOR		W	H
Overlay Panel	25 ¹ / ₁₆ " (637)	69 ³ / ₄ " (1772)	
Spacer Panel	24 ³ / ₁₆ " (614)	68 ¹⁵ / ₁₆ " (1751)	
Backer Panel	24 ¹³ / ₁₆ " (630)	69 ⁹ / ₁₆ " (1767)	
FREEZER		W	H
Overlay Panel	16 ¹¹ / ₁₆ " (424)	69 ³ / ₄ " (1772)	
Spacer Panel	15 ¹³ / ₁₆ " (402)	68 ¹⁵ / ₁₆ " (1751)	
Backer Panel	16 ⁷ / ₁₆ " (418)	69 ⁹ / ₁₆ " (1767)	
GRILLE		W	H
Overlay Panel	42" (1067)	9 ¹ / ₄ " (235)	
Spacer Panel	41 ¹ / ₈ " (1045)	8 ⁵ / ₁₆ " (211)	
Backer Panel	41 ³ / ₄ " (1060)	8 ¹⁵ / ₁₆ " (227)	
BI-42SD		W	H
Dispenser Cut-Out	5 ⁷ / ₈ " (149)	12 ⁷ / ₁₆ " (316)	
	A	B	
Cut-Out Location	2" (51)	28 ¹³ / ₁₆ " (732)	

Models BI-48S and BI-48SD			
REFRIGERATOR		W	H
Overlay Panel	28 ³ / ₄ " (730)	69 ³ / ₄ " (1772)	
Spacer Panel	27 ⁷ / ₈ " (708)	68 ¹⁵ / ₁₆ " (1751)	
Backer Panel	28 ¹ / ₂ " (724)	69 ⁹ / ₁₆ " (1767)	
FREEZER		W	H
Overlay Panel	19" (483)	69 ³ / ₄ " (1772)	
Spacer Panel	18 ¹ / ₈ " (460)	68 ¹⁵ / ₁₆ " (1751)	
Backer Panel	18 ³ / ₄ " (476)	69 ⁹ / ₁₆ " (1767)	
GRILLE		W	H
Overlay Panel	48" (1219)	9 ¹ / ₄ " (235)	
Spacer Panel	47 ¹ / ₈ " (1197)	8 ⁵ / ₁₆ " (211)	
Backer Panel	47 ³ / ₄ " (1213)	8 ¹⁵ / ₁₆ " (227)	
BI-48SD		W	H
Dispenser Cut-Out	5 ⁷ / ₈ " (149)	12 ⁷ / ₁₆ " (316)	
	A	B	
Cut-Out Location	2" (51)	28 ¹³ / ₁₆ " (732)	

Grille panel dimensions listed are for a standard 84" (2134) overall height of the unit. For an 83" (2108) overall height, subtract 1" (25) from grille panel height dimensions. For an 88" (2235) overall height, add 4" (102) to height dimensions. Width dimensions do not vary.



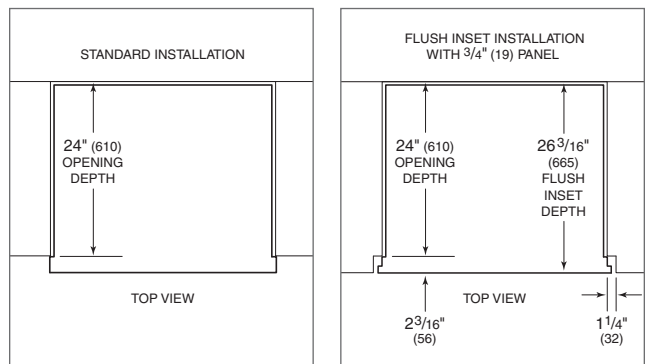
This brand new design option allows for a flush door and grille. Classic, platinum and carbon stainless steel panels are available as sales accessories. Shown with tubular handle option to mirror Wolf L Series ovens.

Flush Inset Application. It is necessary to consider the following points when planning for a flush inset application:

- The flush inset depth is $2\frac{3}{16}$ " (56) deeper than the standard opening.
- The flush inset width is $2\frac{1}{2}$ " (64) wider than the standard opening.
- The flush inset height is $\frac{1}{4}$ " (6) higher than the standard opening.
- Panel widths increase to achieve the flush inset look.
- You must allow a $\frac{1}{2}$ " (13) reveal around the perimeter of the unit and grille to allow for proper door swing and airflow.

IMPORTANT NOTE: Do not confuse the flush inset application as being a separate model. This is an overlay unit in a flush installation. The same model is used in an overlay or flush inset application.

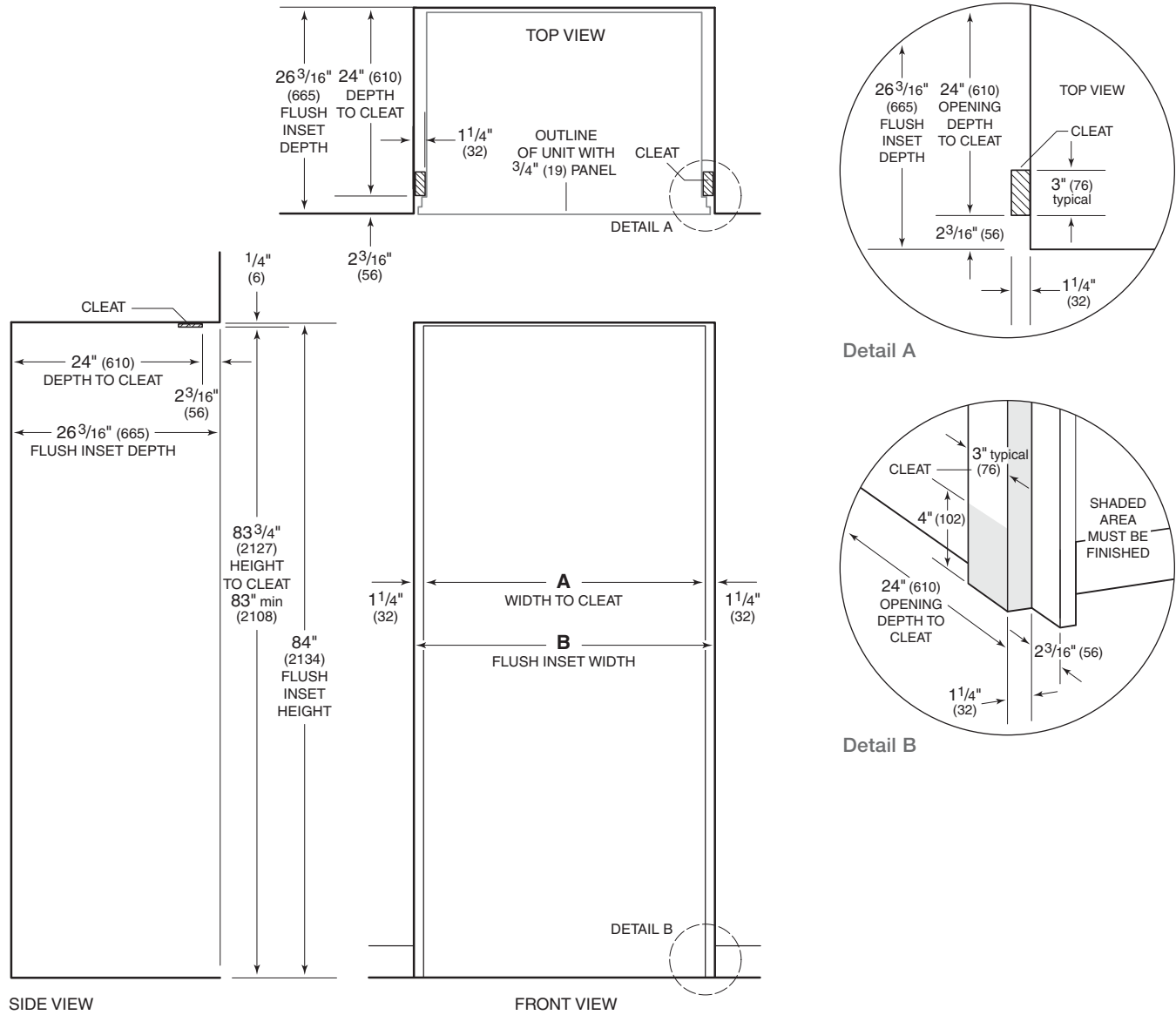
Rough opening dimensions for the new flush inset application assume the use of a $\frac{3}{4}$ " (19) decorative panel. The illustrations below show the difference between standard and flush inset installations.



Standard installation.

Flush inset installation.

Flush Inset Installation Opening Dimensions



Flush Inset Opening Widths	A	B
BI-36R, BI-36RG and BI-36F	35 1/2" (902)	38" (965)
BI-30U and BI-30UG	29 1/2" (746)	32" (813)
BI-36U and BI-36UG	35 1/2" (902)	38" (965)
BI-36S	35 1/2" (902)	38" (965)
BI-42S and BI-42SD	41 1/2" (1054)	44" (1118)
BI-48S and BI-48SD	47 1/2" (1206)	50" (1270)

IMPORTANT NOTE: Dimensions assume a 3/4" (19) panel thickness.

IMPORTANT NOTE: If two units are installed side by side, refer to pages 32–33 for dual flush inset installations.

Flush Inset Panels. The flush inset application allows decorative panels on the front of the unit to be flush with surrounding cabinetry and is available for all built-in overlay models. For exact panel dimensions, refer to flush inset panel specifications on the following pages.

The flush inset design allows decorative panels to cover the door trim for a seamless appearance that blends with the design of the room. The most common way to achieve this look is to work with three panels—the decorative flush inset panel which is typically 3/4" (19), a .10" (3) spacer panel and a 1/4" (6) backer panel. Depending on your cabinet manufacturer, this could also be one panel routed for different dimensions.

Regardless of the physical construction of the panels (three-panel assembly or routed panel), you will need to follow the flush inset panel specifications on the following pages for exact sizing and panel placement to ensure a proper fit.

The illustration to the right provides a rear view of the three-panel assembly with critical dimensions, standard for all built-in models.

IMPORTANT NOTE: The inside edges of the rough opening as well as the sides and a portion of the back side of the decorative panels will need to be finished, as they will be exposed when the doors are open.

IMPORTANT NOTE: On glass door models, the edges of the window cut-out will need to be finished, as they will be exposed.

IMPORTANT NOTE: For flush inset panels thicker than 3/4" (19), a 90° door stop may be needed to avoid interference with adjacent cabinets. Refer to the full-scale templates at the end of this guide.

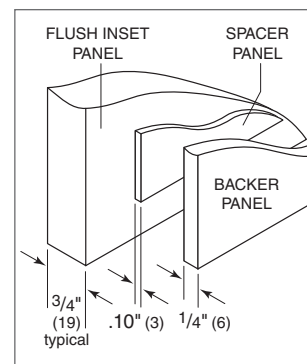
IMPORTANT NOTE: When installing two units side by side in a flush inset application, refer to pages 32–35 for dual flush inset installations. Be aware that rough opening dimensions, panel sizes and offsets are different for this application.

CAUTION

Do not exceed the flush inset decorative panel dimensions. Exceeding dimensions could cause damage to the panels and the Sub-Zero unit.

Flush Inset Panel Requirements

MAX WEIGHT PER PANEL	
BI-36R, BI-36RG and BI-36F	75 lbs (34 kg)
All Other Flush Inset Models	50 lbs (23 kg)
Grille Panel	13 lbs (6 kg)
MIN PANEL THICKNESS	
All Flush Inset Panels	5/8" (16)

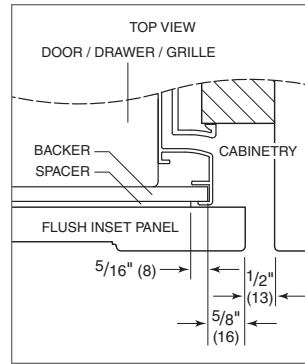


Three-panel assembly

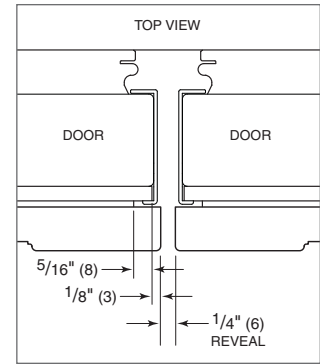
Flush Inset Panels. Illustrations A–F provide panel offsets and reveals for all built-in models in a flush inset application. Refer to the chart below for reference to the illustrations relating to your specific model.

For additional information on model specific panel reveals, visit the Specification Library section of our website, subzerotrade.com.

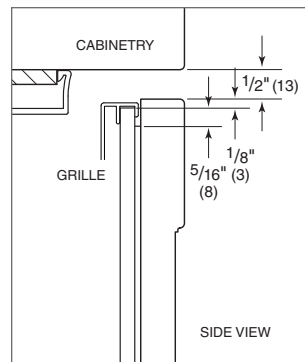
Panel Offsets	Illus.
ALL REFRIGERATOR / ALL FREEZER	
Door / Grille Sides	A
Grille Top	C
Grille Bottom / Door Top	D
Door Bottom	F
OVER-AND-UNDER	
Door / Drawer / Grille Sides	A
Grille Top	C
Grille Bottom / Door Top	D
Door Bottom / Drawer Top	E
Drawer Bottom	F
SIDE-BY-SIDE	
Doors (hinge) / Grille Sides	A
Doors (handle) Sides	B
Grille Top	C
Grille Bottom / Door Top	D
Door Bottom	F



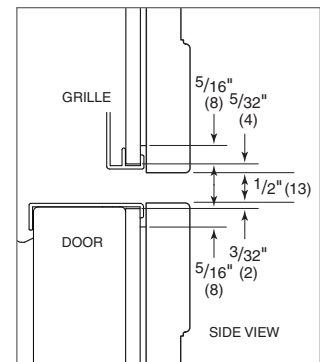
Illus. A



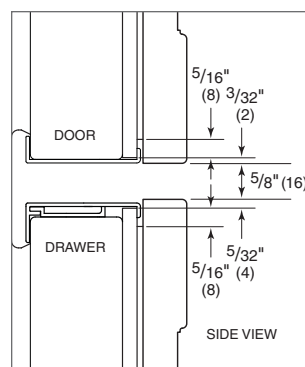
Illus. B



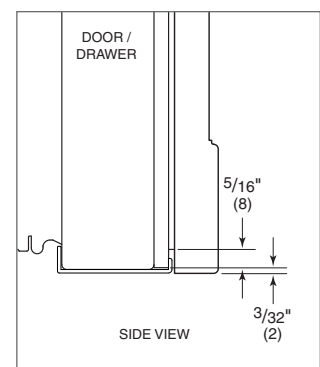
Illus. C



Illus. D

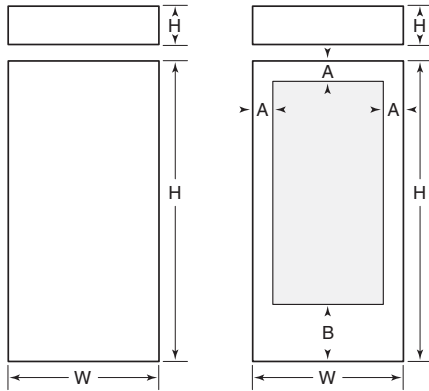


Illus. E



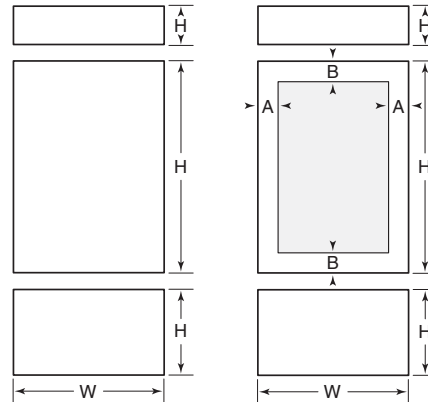
Illus. F

Flush Inset Panel Specifications



BI-36R / BI-36F

BI-36RG



BI-30U / BI-36U

BI-30UG / BI-36UG

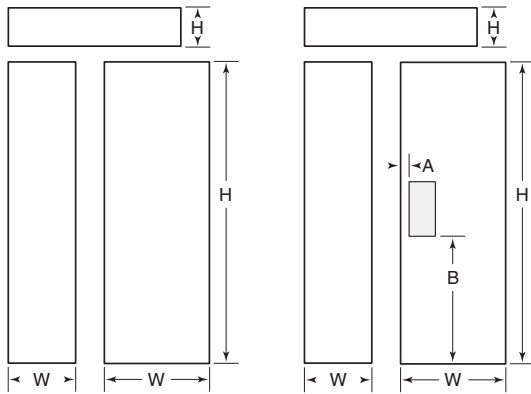
Models BI-36R, BI-36RG and BI-36F			
REFRIGERATOR/FREEZER	W	H	
Flush Inset Panel	37" (940)	69 ³ / ₄ " (1772)	
Spacer Panel	35 ¹ / ₈ " (892)	68 ¹⁵ / ₁₆ " (1751)	
Backer Panel	35 ³ / ₄ " (908)	69 ⁹ / ₁₆ " (1767)	
GRILLE	W	H	
Flush Inset Panel	37" (940)	9 ¹ / ₄ " (235)	
Spacer Panel	35 ¹ / ₈ " (892)	8 ⁵ / ₁₆ " (211)	
Backer Panel	35 ³ / ₄ " (908)	8 ¹⁵ / ₁₆ " (227)	
BI-36RG	W	H	
Window Cut-Out	25 ¹ / ₂ " (648)	54 ¹ / ₈ " (1375)	
Cut-Out Location	A 5 ³ / ₄ " (146)	B 10 ³ / ₈ " (264)	

Models BI-30U and BI-30UG			
REFRIGERATOR	W	H	
Flush Inset Panel	31" (787)	50 ¹ / ₈ " (1273)	
Spacer Panel	29 ¹ / ₈ " (740)	49 ⁵ / ₁₆ " (1253)	
Backer Panel	29 ³ / ₄ " (756)	49 ¹⁵ / ₁₆ " (1268)	
FREEZER	W	H	
Flush Inset Panel	31" (787)	19" (483)	
Spacer Panel	29 ¹ / ₈ " (740)	18 ¹ / ₁₆ " (459)	
Backer Panel	29 ³ / ₄ " (756)	18 ¹¹ / ₁₆ " (475)	
GRILLE	W	H	
Flush Inset Panel	31" (787)	9 ¹ / ₄ " (235)	
Spacer Panel	29 ¹ / ₈ " (740)	8 ⁵ / ₁₆ " (211)	
Backer Panel	29 ³ / ₄ " (756)	8 ¹⁵ / ₁₆ " (227)	
BI-30UG	W	H	
Window Cut-Out	19 ¹ / ₂ " (495)	39 ⁵ / ₈ " (1006)	
Cut-Out Location	A 5 ³ / ₄ " (146)	B 5 ¹ / ₄ " (133)	

Models BI-36U and BI-36UG			
REFRIGERATOR	W	H	
Flush Inset Panel	37" (940)	50 ¹ / ₈ " (1273)	
Spacer Panel	35 ¹ / ₈ " (892)	49 ⁵ / ₁₆ " (1253)	
Backer Panel	35 ³ / ₄ " (908)	49 ¹⁵ / ₁₆ " (1268)	
FREEZER	W	H	
Flush Inset Panel	37" (940)	19" (483)	
Spacer Panel	35 ¹ / ₈ " (892)	18 ¹ / ₁₆ " (459)	
Backer Panel	35 ³ / ₄ " (908)	18 ¹¹ / ₁₆ " (475)	
GRILLE	W	H	
Flush Inset Panel	37" (940)	9 ¹ / ₄ " (235)	
Spacer Panel	35 ¹ / ₈ " (892)	8 ⁵ / ₁₆ " (211)	
Backer Panel	35 ³ / ₄ " (908)	8 ¹⁵ / ₁₆ " (227)	
BI-36UG	W	H	
Window Cut-Out	25 ¹ / ₂ " (648)	39 ⁵ / ₈ " (1006)	
Cut-Out Location	A 5 ³ / ₄ " (146)	B 5 ¹ / ₄ " (133)	

Grille panel dimensions listed are for a standard 84" (2134) overall height of the unit. For an 83" (2108) overall height, subtract 1" (25) from grille panel height dimensions. For an 88" (2235) overall height, add 4" (102) to height dimensions. Width dimensions do not vary.

Flush Inset Panel Specifications



BI-36S / BI-42S / BI-48S BI-42SD / BI-48SD

Model BI-36S			
REFRIGERATOR		W	H
Flush Inset Panel	20 ⁹ / ₁₆ " (522)	69 ³ / ₄ " (1772)	
Spacer Panel	19 ³ / ₁₆ " (487)	68 ¹⁵ / ₁₆ " (1751)	
Backer Panel	19 ¹³ / ₁₆ " (503)	69 ⁹ / ₁₆ " (1767)	
FREEZER		W	H
Flush Inset Panel	16 ³ / ₁₆ " (411)	69 ³ / ₄ " (1772)	
Spacer Panel	14 ¹³ / ₁₆ " (376)	68 ¹⁵ / ₁₆ " (1751)	
Backer Panel	15 ⁷ / ₁₆ " (392)	69 ⁹ / ₁₆ " (1767)	
GRILLE		W	H
Flush Inset Panel	37" (940)	9 ¹ / ₄ " (235)	
Spacer Panel	35 ¹ / ₈ " (892)	8 ⁵ / ₁₆ " (211)	
Backer Panel	35 ³ / ₄ " (908)	8 ¹⁵ / ₁₆ " (227)	

Models BI-42S and BI-42SD			
REFRIGERATOR		W	H
Flush Inset Panel	25 ⁹ / ₁₆ " (649)	69 ³ / ₄ " (1772)	
Spacer Panel	24 ³ / ₁₆ " (614)	68 ¹⁵ / ₁₆ " (1751)	
Backer Panel	24 ¹³ / ₁₆ " (630)	69 ⁹ / ₁₆ " (1767)	
FREEZER		W	H
Flush Inset Panel	17 ³ / ₁₆ " (437)	69 ³ / ₄ " (1772)	
Spacer Panel	15 ¹³ / ₁₆ " (402)	68 ¹⁵ / ₁₆ " (1751)	
Backer Panel	16 ⁷ / ₁₆ " (418)	69 ⁹ / ₁₆ " (1767)	
GRILLE		W	H
Flush Inset Panel	43" (1092)	9 ¹ / ₄ " (235)	
Spacer Panel	41 ¹ / ₈ " (1045)	8 ⁵ / ₁₆ " (211)	
Backer Panel	41 ³ / ₄ " (1060)	8 ¹⁵ / ₁₆ " (227)	
DISPENSER (BI-42SD)		W	H
Dispenser Cut-Out	5 ⁷ / ₈ " (149)	12 ⁷ / ₁₆ " (316)	
		A	B
Cut-Out Location	2" (51)	28 ¹³ / ₁₆ " (732)	

Models BI-48S and BI-48SD			
REFRIGERATOR		W	H
Flush Inset Panel	29 ¹ / ₄ " (743)	69 ³ / ₄ " (1772)	
Spacer Panel	27 ⁷ / ₈ " (708)	68 ¹⁵ / ₁₆ " (1751)	
Backer Panel	28 ¹ / ₂ " (724)	69 ⁹ / ₁₆ " (1767)	
FREEZER		W	H
Flush Inset Panel	19 ¹ / ₂ " (495)	69 ³ / ₄ " (1772)	
Spacer Panel	18 ¹ / ₈ " (460)	68 ¹⁵ / ₁₆ " (1751)	
Backer Panel	18 ³ / ₄ " (476)	69 ⁹ / ₁₆ " (1767)	
GRILLE		W	H
Flush Inset Panel	49" (1245)	9 ¹ / ₄ " (235)	
Spacer Panel	47 ¹ / ₈ " (1197)	8 ⁵ / ₁₆ " (211)	
Backer Panel	47 ³ / ₄ " (1213)	8 ¹⁵ / ₁₆ " (227)	
DISPENSER (BI-48SD)		W	H
Cut-Out	5 ⁷ / ₈ " (149)	12 ⁷ / ₁₆ " (316)	
		A	B
Cut-Out Location	2" (51)	28 ¹³ / ₁₆ " (732)	

Grille panel dimensions listed are for a standard 84" (2134) overall height of the unit. For an 83" (2108) overall height, subtract 1" (25) from grille panel height dimensions. For an 88" (2235) overall height, add 4" (102) to height dimensions. Width dimensions do not vary.

Dispenser Area. For Models BI-42SD and BI-48SD, the refrigerator door panel must include a cut-out to accommodate the dispenser glasswell and bezel. The thickness of the panel in this area can range from $\frac{1}{4}$ " (6) to a maximum of $1\frac{1}{8}$ " (29).

IMPORTANT NOTE: Regardless of the thickness of the panel for Model BI-42SD or BI-48SD, you must plan for a flat landing area for the decorative bezel surrounding the glasswell area. The illustration to the right provides exact bezel dimensions. Refer to the appropriate panel specifications page for exact cut-out location. This landing area can be accomplished in a number of different ways. These photos show two options.

One option (flush) is to rout the panel so the bezel will be flush with rails and stiles. You must rout a space to accommodate the height and width of the bezel. The width of the stile immediately adjacent to the bezel must be $1\frac{7}{16}$ " (37). Do not cut the entire stile to this dimension.

The other option (proud) shows a boxed out landing area for the bezel using stiles and rails to create this space. In this application, the bezel will sit proud of the stiles and rails. The total thickness of the panels at this level must not exceed $1\frac{1}{8}$ " (29).

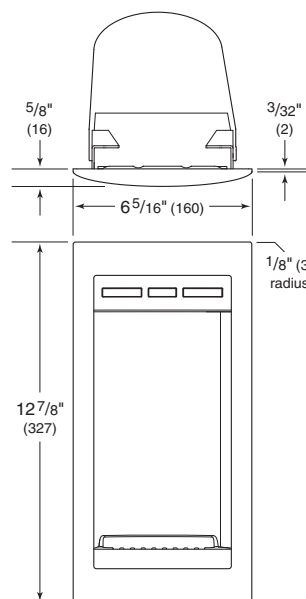
For overlay and flush inset Models BI-42SD and BI-48SD, mounting placement of the refrigerator door handle must assure proper access to the glasswell and adequate clearance under the handle. The handle placement illustration shows the relation of the refrigerator door handle to the glasswell bezel on stainless steel models.



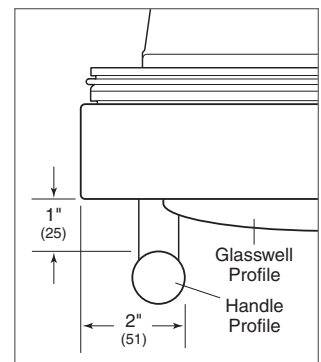
Flush option.



Proud option.



Dispenser dimensions.



Handle placement.

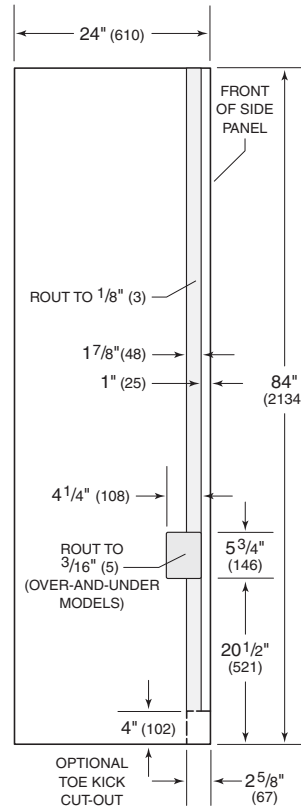
Side Panels. Side panels can be used with all framed, overlay, flush inset and stainless steel design applications. When planning for side panels with the installation of a built-in model, you need to be aware of the space configuration to achieve a pleasing fit. Depending on the exact panel you are using with your unit, the height of the panel may vary.

IMPORTANT NOTE: The use of side panels may change the width of your rough opening.

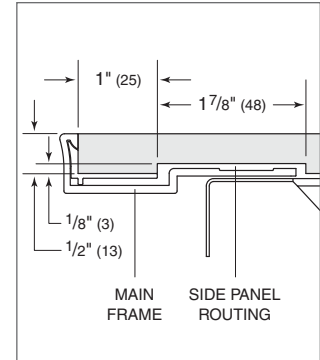
When installing a built-in unit with a custom side panel, an accessory kit (7003407) is required. Classic stainless steel and white enamel side panels are also available through your Sub-Zero dealer.

The side panel will need to be a minimum of 24" (610) deep and 1/2" (13) thick. Refer to the side panel dimensions illustration for additional specifications. Routing will be necessary in order for the side panel to fit flush against the side of the unit. Refer also to the routing detail illustration.

IMPORTANT NOTE: If you have a Model BI-30U, BI-30UG, BI-36U or BI-36UG, extra routing will be necessary to avoid having the panel hit the refrigerator lower hinge plate.



Side panel dimensions.



Routing Detail.



Dual Standard Installation

Dual Standard Installations. Two framed, overlay or stainless steel units may be placed side by side in a dual installation. Some dual standard installations will require a dual installation kit, available through your Sub-Zero dealer. If you are installing two units side by side in a flush inset application refer to page 33.

A custom filler strip can be used in between two units in a framed, overlay or stainless steel design application. It is recommended that the filler strip be at least 2" (51) wide, to prevent condensation between the units. Be sure to add the filler strip width to your rough opening width. Refer to the full-scale template on page 41.

Dual installations without a filler strip can only be accomplished using two units with opposite hinges as shown in illustration A below. The dual installations shown in illustrations B and C require a filler strip.

IMPORTANT NOTE: For the application shown in illustration A, a dual installation accessory kit is required. Refer to page 36 for information on dual installation accessory kits.

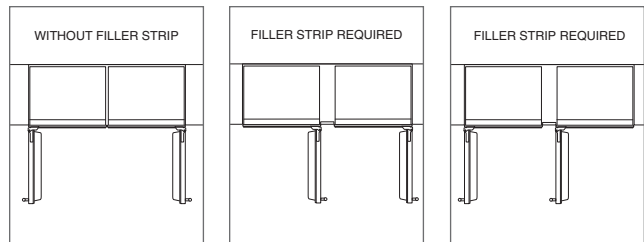
Dual Installation Panel Requirements

MAX WEIGHT PER PANEL

BI-36R, BI-36RG and BI-36F	75 lbs (34 kg)
All Other Models	50 lbs (23 kg)
Dual Wide Grille Panel	26 lbs (12 kg)

MIN PANEL THICKNESS

Framed Panels	1/4" (6)
Overlay and Flush Inset Panels	5/8" (16)



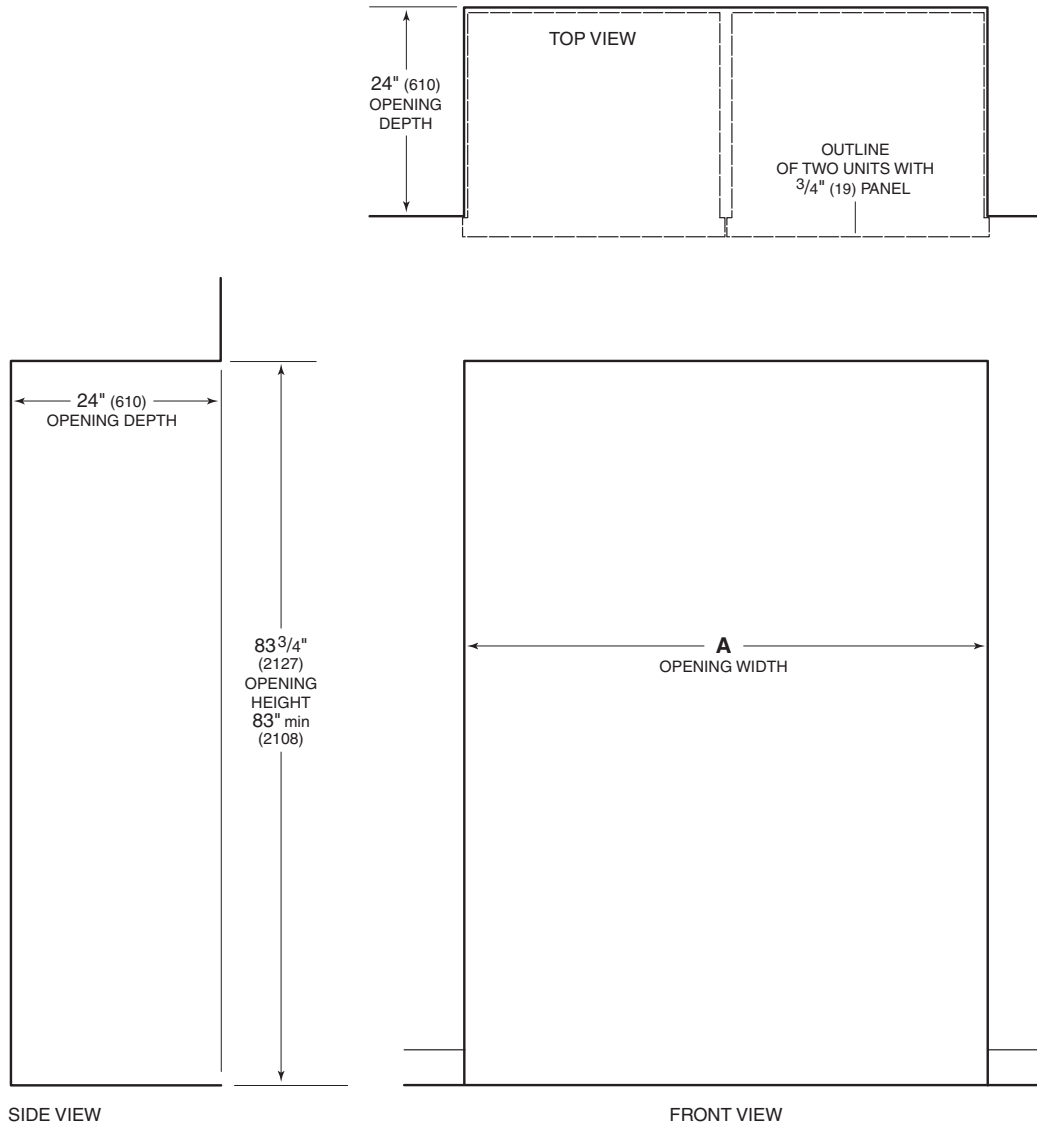
Illus. A

Illus. B

Illus. C

Dual Standard Installation Opening Dimensions

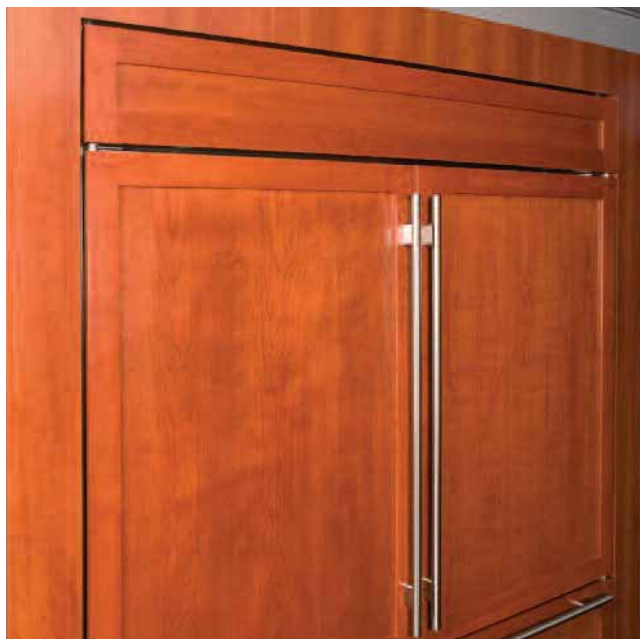
Framed, Overlay and Classic Stainless Steel Models



Opening Widths	A
Two 30" (762) Models	59 3/4" (1518)
Two 36" (914) Models	71 3/4" (1822)

IMPORTANT NOTE: A dual installation kit will be required for this installation.

Classic stainless steel models are ready to install out of the box.



Dual Flush Inset Installation

Dual Flush Inset Installation. Installing two built-in models side by side in a flush inset application will require adjustments to the dimensions of your finished rough opening, panel sizes and panel offsets. It will also require a dual installation kit, available through your Sub-Zero dealer.

Dual installations without a filler strip can only be accomplished using two units with opposite hinges as shown in illustration A below. The dual installations shown in illustrations B and C require a filler strip. Illustration A is the only application that will accommodate the dual wide grille.

IMPORTANT NOTE: The application shown in illustration A can only be achieved by installing dual flush inset panels. Failure to install dual flush inset panels will cause the handle side of the panels to collide when closing. In this application a dual installation accessory kit is also required.

Dual flush inset panels and dual installation kits are available through your Sub-Zero dealer. Refer to pages 34–35 for dual flush inset panel specifications and page 36 for information on dual installation accessory kits.

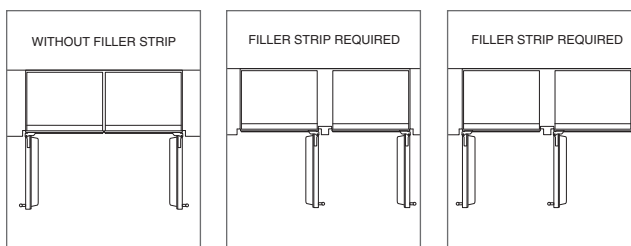
Dual Installation Panel Requirements

MAX WEIGHT PER PANEL

BI-36R, BI-36RG and BI-36F	75 lbs (34 kg)
All Other Models	50 lbs (23 kg)
Dual Wide Grille Panel	26 lbs (12 kg)

MIN PANEL THICKNESS

Flush Inset Panels	5/8" (16)
--------------------	-----------

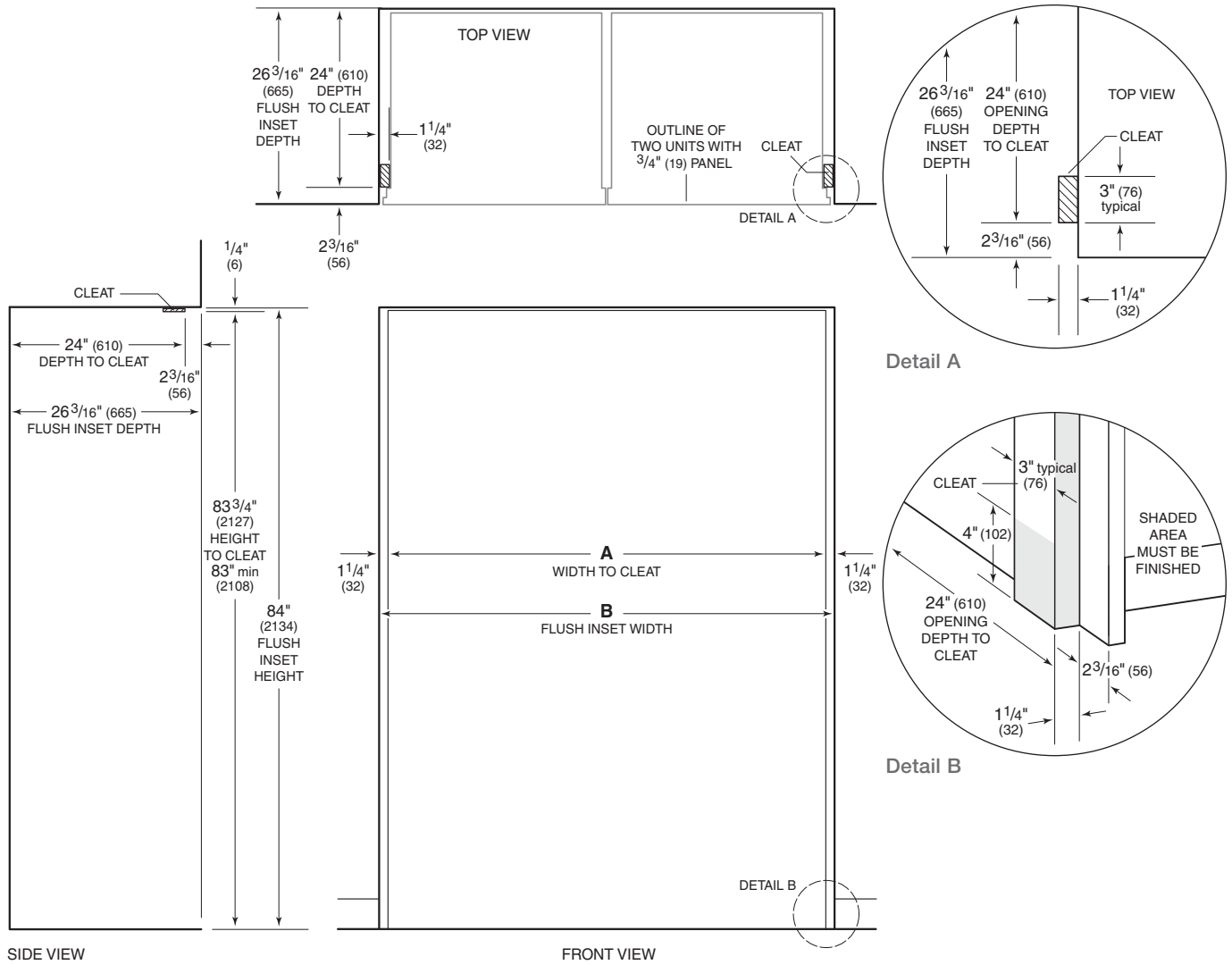


Illus. A

Illus. B

Illus. C

Dual Flush Inset Installation Opening Dimensions



Opening Widths	A	B
Two 30" (762) Models	59 3/4" (1518)	62 1/4" (1581)
Two 36" (914) Models	71 3/4" (1822)	74 1/4" (1886)

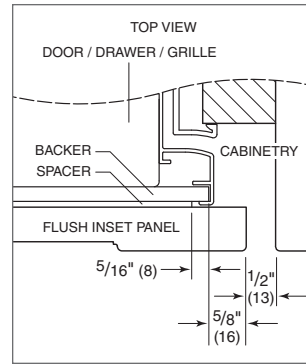
IMPORTANT NOTE: Dimensions assume a 3/4" (19) panel thickness. A dual installation kit will be required for this installation.

Flush Inset Panels—Dual Installation. When installing two built-in models side by side in a flush inset application, you must decrease the width of the decorative flush inset panels by 1/2". Adjustments to the panel offsets will also need to be made. These adjustments are needed to achieve a proper fit and to ensure the panels do not collide when closing. Panel dimensions in the chart below have been adjusted to reflect the decrease in panel dimensions.

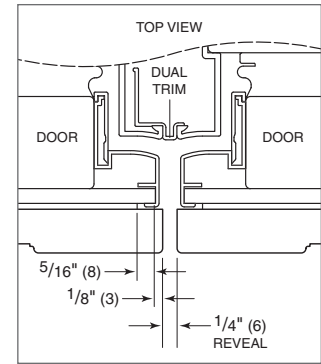
IMPORTANT NOTE: If a filler strip is not used, dual installations can only be accomplished using two units with opposite hinges.

Illustrations A–F provide panel offsets and reveals for all built-in models in a flush inset application. Refer to the chart below for reference to the illustrations relating to your specific model. All reveals are 1/2" (13) unless otherwise specified.

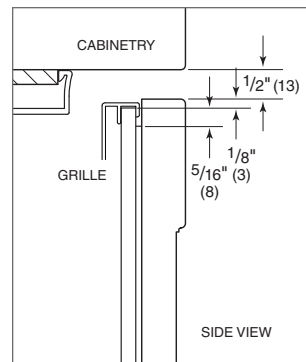
For additional information on model specific panel reveals, visit the Specification Library section of our website, subzerotrade.com.



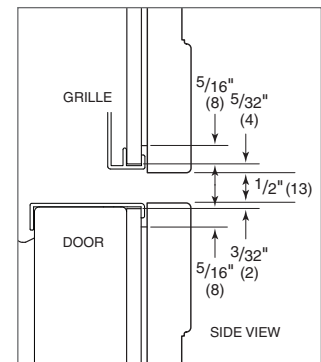
Illus. A



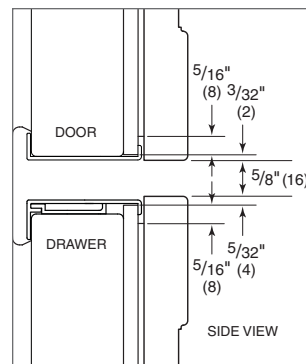
Illus. B



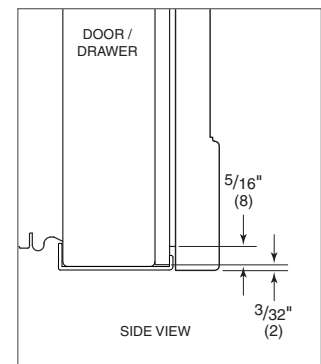
Illus. C



Illus. D



Illus. E

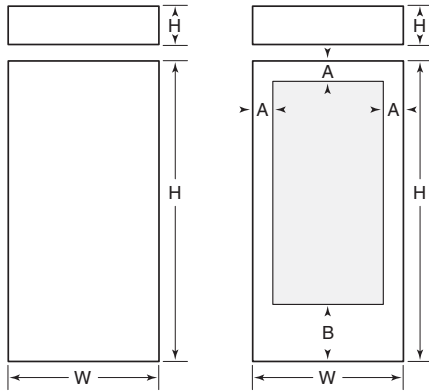


Illus. F

Panel Offsets	Illus.
ALL REFRIGERATOR / ALL FREEZER	
Doors (hinge) / Grille Sides	A
Doors (handle) Sides	B
Grille Top	C
Grille Bottom / Door Top	D
Door Bottom	F
OVER-AND-UNDER	
Doors (hinge) / Drawer / Grille Sides	A
Doors (handle) Sides	B
Grille Top	C
Grille Bottom / Door Top	D
Door Bottom / Drawer Top	E
Drawer Bottom	F

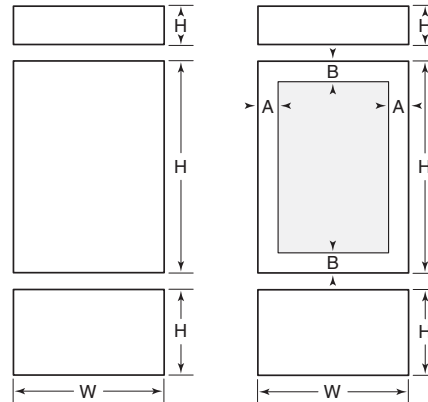
CAUTION
Do not exceed the flush inset decorative panel dimensions. Exceeding dimensions could cause damage to the panels and the Sub-Zero unit.

Flush Inset Panel Specifications—Dual Installation



BI-36R / BI-36F

BI-36RG



BI-30U / BI-36U

BI-30UG / BI-36UG

Models BI-36R, BI-36RG and BI-36F			
REFRIGERATOR/FREEZER	W	H	
Flush Inset Panel	36 ¹ / ₂ " (927)	69 ³ / ₄ " (1772)	
Spacer Panel	35 ¹ / ₈ " (892)	68 ¹⁵ / ₁₆ " (1751)	
Backer Panel	35 ³ / ₄ " (908)	69 ⁹ / ₁₆ " (1767)	
GRILLE	W	H	
Flush Inset Panel	36 ¹ / ₂ " (927)	9 ¹ / ₄ " (235)	
Spacer Panel	35 ¹ / ₈ " (892)	8 ⁵ / ₁₆ " (211)	
Backer Panel	35 ³ / ₄ " (908)	8 ¹⁵ / ₁₆ " (227)	
BI-36RG	W	H	
Window Cut-Out	25 ¹ / ₂ " (648)	54 ¹ / ₈ " (1375)	
Cut-Out Location	A 5 ³ / ₄ " (146)	B 10 ³ / ₈ " (264)	

Models BI-30U and BI-30UG			
REFRIGERATOR	W	H	
Flush Inset Panel	30 ¹ / ₂ " (775)	50 ¹ / ₈ " (1273)	
Spacer Panel	29 ¹ / ₈ " (740)	49 ⁵ / ₁₆ " (1253)	
Backer Panel	29 ³ / ₄ " (756)	49 ¹⁵ / ₁₆ " (1268)	
FREEZER	W	H	
Flush Inset Panel	30 ¹ / ₂ " (775)	19" (483)	
Spacer Panel	29 ¹ / ₈ " (740)	18 ¹ / ₁₆ " (459)	
Backer Panel	29 ³ / ₄ " (756)	18 ¹¹ / ₁₆ " (475)	
GRILLE	W	H	
Flush Inset Panel	30 ¹ / ₂ " (775)	9 ¹ / ₄ " (235)	
Spacer Panel	29 ¹ / ₈ " (740)	8 ⁵ / ₁₆ " (211)	
Backer Panel	29 ³ / ₄ " (756)	8 ¹⁵ / ₁₆ " (227)	
BI-30UG	W	H	
Window Cut-Out	19 ¹ / ₂ " (495)	39 ⁵ / ₈ " (1006)	
Cut-Out Location	A 5 ³ / ₄ " (146)	B 5 ¹ / ₄ " (133)	

Models BI-36U and BI-36UG			
REFRIGERATOR	W	H	
Flush Inset Panel	36 ¹ / ₂ " (927)	50 ¹ / ₈ " (1273)	
Spacer Panel	35 ¹ / ₈ " (892)	49 ⁵ / ₁₆ " (1253)	
Backer Panel	35 ³ / ₄ " (908)	49 ¹⁵ / ₁₆ " (1268)	
FREEZER	W	H	
Flush Inset Panel	36 ¹ / ₂ " (927)	19" (483)	
Spacer Panel	35 ¹ / ₈ " (892)	18 ¹ / ₁₆ " (459)	
Backer Panel	35 ³ / ₄ " (908)	18 ¹¹ / ₁₆ " (475)	
GRILLE	W	H	
Flush Inset Panel	36 ¹ / ₂ " (927)	9 ¹ / ₄ " (235)	
Spacer Panel	35 ¹ / ₈ " (892)	8 ⁵ / ₁₆ " (211)	
Backer Panel	35 ³ / ₄ " (908)	8 ¹⁵ / ₁₆ " (227)	
BI-36UG	W	H	
Window Cut-Out	25 ¹ / ₂ " (648)	39 ⁵ / ₈ " (1006)	
Cut-Out Location	A 5 ³ / ₄ " (146)	B 5 ¹ / ₄ " (133)	

Grille panel dimensions listed are for a standard 84" (2134) overall height of the unit. For an 83" (2108) overall height, subtract 1" (25) from grille panel height dimensions. For an 88" (2235) overall height, add 4" (102) to height dimensions. Width dimensions do not vary.

For dual wide grilles, refer to page 36.

Dual Installation Kit with Dual Wide Grille.

This kit will replace the existing grilles that ship with the units and span the entire width of both units. The kit includes a 1/4" (6) center trim strip (required for proper installation of the dual wide grille), heater, dual kickplate and mounting hardware. Dual wide grilles are available for all built-in models and design applications. The overlay dual installation kit with grille will accept overlay and dual flush inset panels. For dual wide grille panel dimensions, refer to the panel specifications below for your design application. Grille panel dimensions listed are for a standard 84" (2134) overall height of the unit.

Dual Installation Kit. This kit is available for those who choose to utilize the individual grilles that ship with each unit. The kit includes a 1/4" (6) filler strip (which fills the reveal between the units and grilles), heater and mounting hardware. This dual installation kit is not required if a custom filler strip is used. The filler strip should be a minimum of 2" (51) wide. Refer to full-scale template on page 41 for more information.

Dual Wide Grille—Overlay Panels

Two 30" (762) Models			
DUAL WIDE GRILLE	W	H	
Overlay Panel	60 1/4" (1530)	9 1/4" (235)	
Spacer Panel	59 3/8" (1558)	8 5/16" (211)	
Backer Panel	60" (1524)	8 15/16" (227)	

Two 36" (914) Models			
DUAL WIDE GRILLE	W	H	
Overlay Panel	72 1/4" (1835)	9 1/4" (235)	
Spacer Panel	71 3/8" (1813)	8 5/16" (211)	
Backer Panel	72" (1829)	8 15/16" (227)	

Dual Wide Grille—Flush Inset Panels

Two 30" (762) Models			
DUAL WIDE GRILLE	W	H	
Flush Inset Panel	61 1/4" (1556)	9 1/4" (235)	
Spacer Panel	59 3/8" (1558)	8 5/16" (211)	
Backer Panel	60" (1524)	8 15/16" (227)	

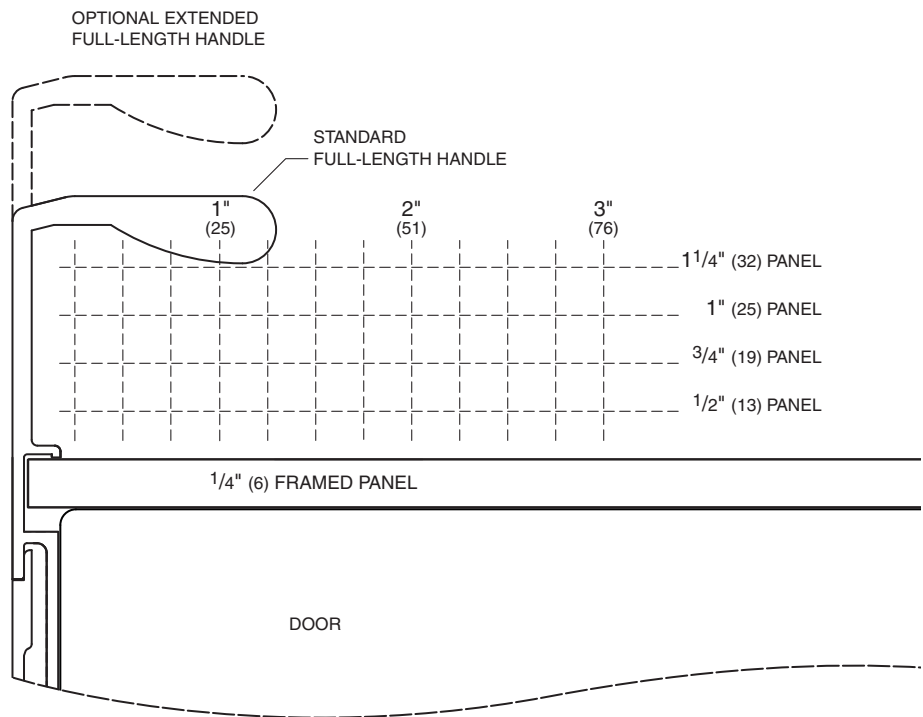
Two 36" (914) Models			
DUAL WIDE GRILLE	W	H	
Flush Inset Panel	73 1/4" (1861)	9 1/4" (235)	
Spacer Panel	71 3/8" (1813)	8 5/16" (211)	
Backer Panel	72" (1829)	8 15/16" (227)	

Accessories. These optional accessories are available for built-in models. Be aware that some accessories can not be used with every model. Accessories are available through your Sub-Zero dealer. To obtain local dealer information, visit the Showroom Locator section of our website, subzero.com.

- Front panels for framed design in white and classic stainless steel—not available for glass door models.
- Front panels for flush inset application in classic, platinum and carbon stainless steel with tubular, curved and pro handles.
- Louvered, panel and stainless steel grilles for 83" (2108) and 88" (2235) overall heights. Built-in models come standard with a grille for an 84" (2134) overall height of the unit.
- Side panels in white and classic stainless steel.
- Custom side panel mounting kit.
- Extended framed handles for framed models with raised panels.
- Decorative stainless steel handles available in tubular, curved and pro styles in a variety of lengths. For standard handle lengths, refer to the chart.
- Retrofit kits for use with 600 series panels. Allows for existing 600 series panels to be used on a new built-in model—not available for Models BI-36R, BI-36RG, BI-36F, BI-30UG, BI-36UG, BI-42SD and BI-48SD.
- Dual installation kit for use when placing units side by side. Kits available with or without the dual wide grille assembly.
- Partial framed kit for dispenser Models BI-42SD and BI-48SD. Includes a stainless steel trim piece to be used above and below the dispenser.

Standard Handle Lengths		
ALL REFRIGERATOR / ALL FREEZER / SIDE-BY-SIDE MODELS		
Tubular Handle		63 ⁷ / ₈ " (1622)
Pro Handle		45 ¹ / ₈ " (1146)
Curved Handle		57 ⁵ / ₈ " (1464)
Stud Spacing		43 ⁷ / ₈ " (1114)
BI-30U and BI-30UG	DOOR	DRAWER
Tubular Handle	44 ¹ / ₄ " (1124)	24 ⁵ / ₁₆ " (633)
Pro Handle	37 ¹ / ₂ " (952)	21" (533)
Curved Handle	45 ³ / ₁₆ " (1148)	25 ¹ / ₄ " (641)
Stud Spacing	36 ¹ / ₄ " (921)	16 ⁵ / ₁₆ " (414)
BI-36U and BI-36UG	DOOR	DRAWER
Tubular Handle	44 ¹ / ₄ " (1124)	30 ⁵ / ₁₆ " (770)
Pro Handle	37 ¹ / ₂ " (952)	23 ¹ / ₂ " (597)
Curved Handle	45 ³ / ₁₆ " (1148)	31 ¹ / ₄ " (796)
Stud Spacing	36 ¹ / ₄ " (921)	22 ⁵ / ₁₆ " (567)

Framed. The top full-scale template shows handle placement and panel thickness for framed applications.

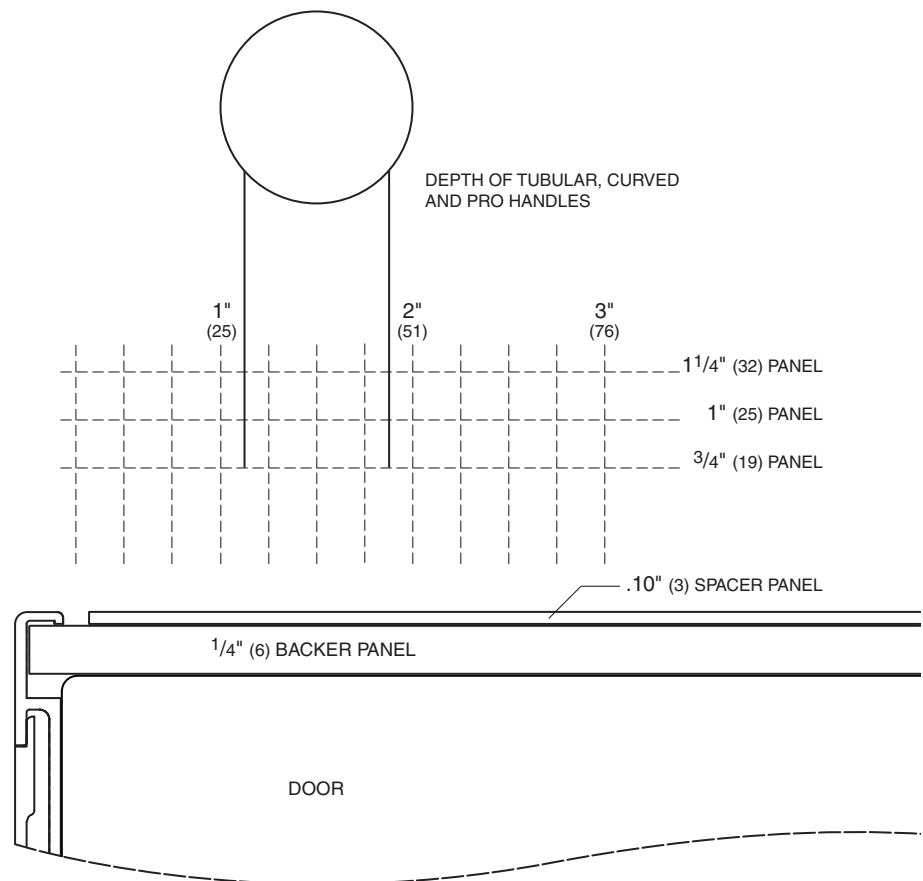


Overlay and Flush Inset. The bottom full-scale template shows handle placement and panel thickness for overlay and flush inset applications.

IMPORTANT NOTE: Panel thickness does not include the 1/4" (6) backer panel and .10" (3) spacer panel.

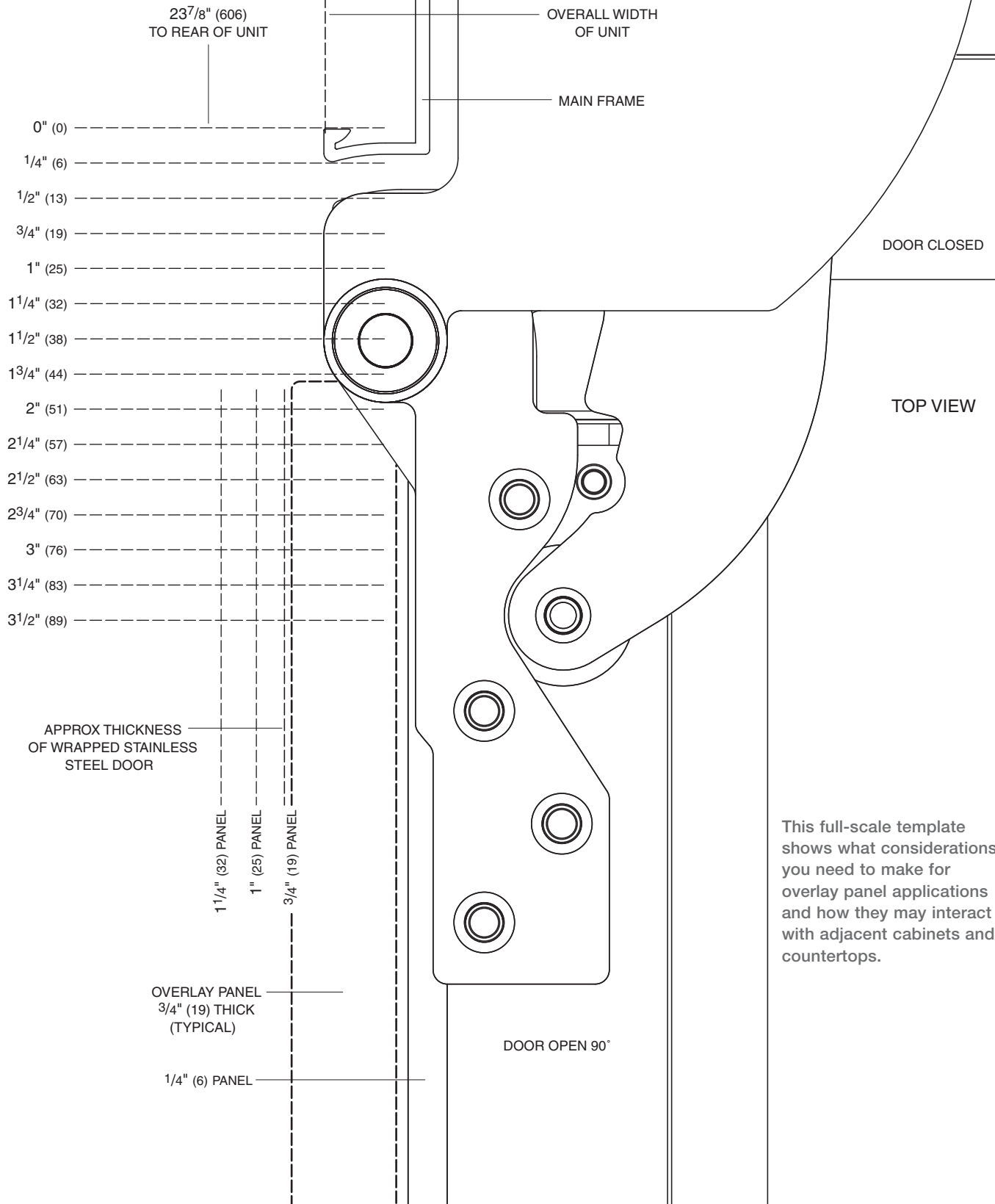
IMPORTANT NOTE: The panel must be a minimum of 5/8" (16) thick to support mounting the handle hardware.

Mount door handles close to the opening edge of the door for ease of opening.



SUB-ZERO UNIT

subzerotrade.com



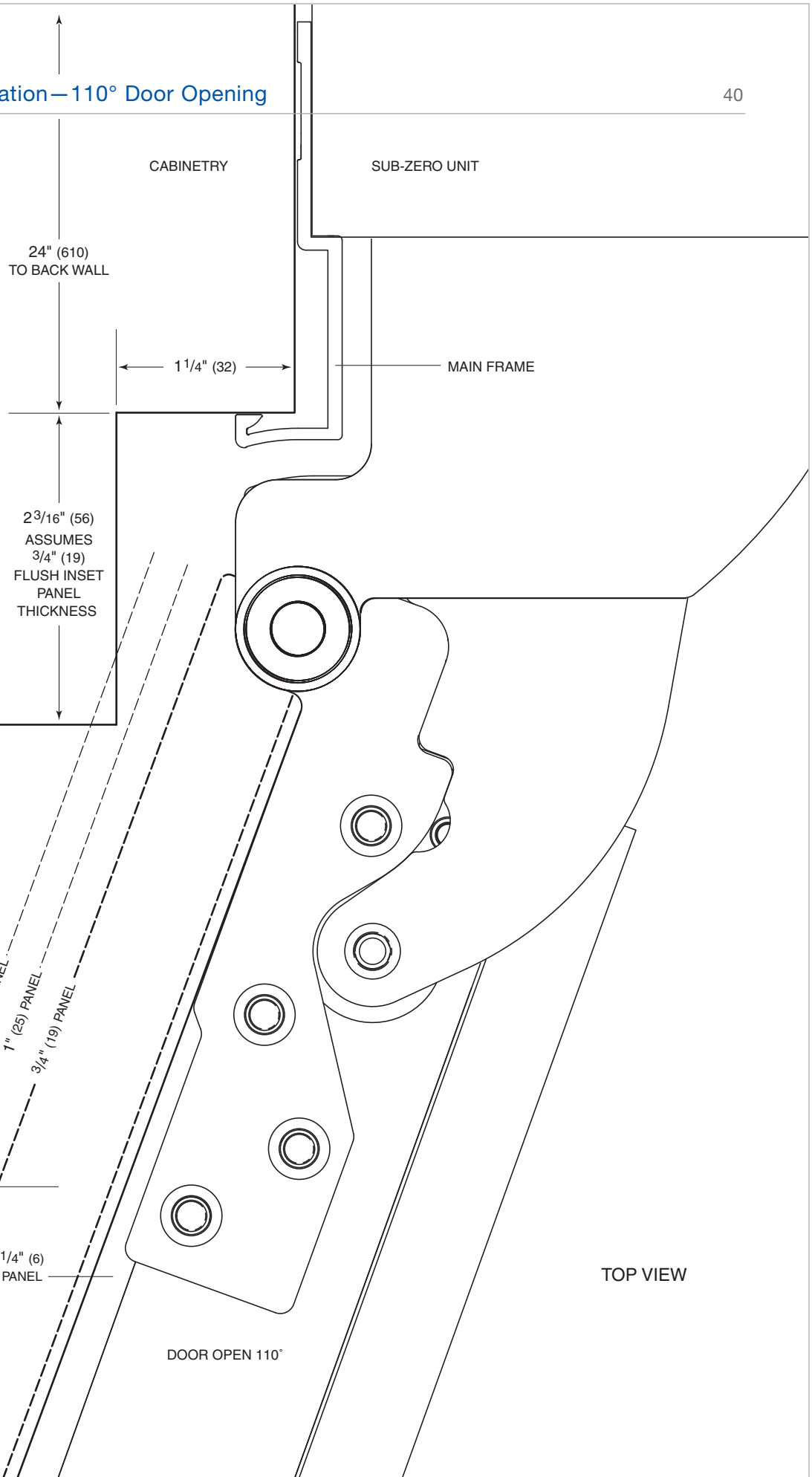
This full-scale template shows what considerations you need to make for overlay panel applications and how they may interact with adjacent cabinets and countertops.

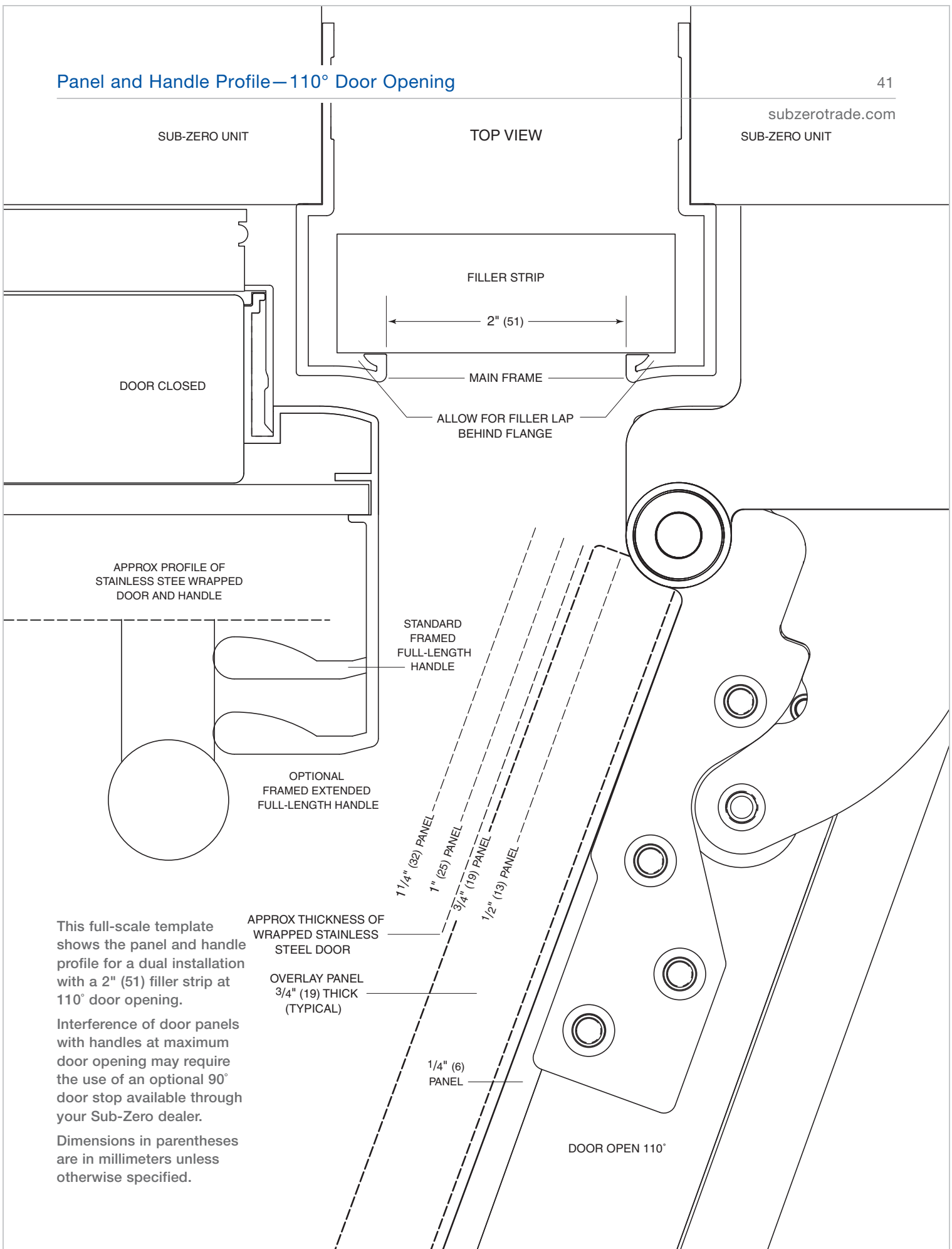
Flush Inset Panel Application—110° Door Opening

This full-scale template shows what considerations you need to make for flush inset panel applications and how they may interact with adjacent cabinets and countertops.

IMPORTANT NOTE: For flush inset panels thicker than 3/4" (19), a 90° door stop may be needed to avoid interference with adjacent cabinets.

Dimensions in parentheses are in millimeters unless otherwise specified.





This full-scale template shows the panel and handle profile for a dual installation with a 2" (51) filler strip at 110° door opening.

Interference of door panels with handles at maximum door opening may require the use of an optional 90° door stop available through your Sub-Zero dealer.

Dimensions in parentheses are in millimeters unless otherwise specified.

APPROX THICKNESS OF WRAPPED STAINLESS STEEL DOOR

OVERLAY PANEL 3/4" (19) THICK (TYPICAL)

1/4" (6) PANEL

1 1/4" (32) PANEL

1" (25) PANEL

3/4" (19) PANEL

1/2" (13) PANEL

DOOR OPEN 110°

Sub-Zero Products Limited Warranty

RESIDENTIAL USE ONLY

**FULL FIVE YEAR SEALED SYSTEM WARRANTY
LIMITED SIXTH THROUGH TWELFTH YEAR WARRANTY ON THE SEALED SYSTEM
FULL TWO YEAR WARRANTY ON TOTAL PRODUCT***

FULL FIVE YEAR SEALED SYSTEM WARRANTY

For five years from the date of original installation, your Sub-Zero warranty covers all parts and labor to repair or replace any components that prove to be defective in materials or workmanship in the sealed system. The sealed system consists of the compressor, condenser, evaporator, drier and all connecting tubing.

FULL TWO YEAR WARRANTY*

For two years from the date of original installation, your Sub-Zero warranty covers all parts and labor to repair or replace any part of the product, that proves to be defective in materials or workmanship.

LIMITED SIXTH THROUGH TWELFTH YEAR SEALED SYSTEM WARRANTY

From the 6th through the 12th year from the date of original installation, your Sub-Zero warranty covers all parts that prove to be defective in materials or workmanship in the sealed system (parts only). The sealed system consists of the compressor, condenser, evaporator, drier and all connecting tubing.

TERMS APPLICABLE TO EACH WARRANTY

All service provided by Sub-Zero under the above warranty must be performed by an authorized Sub-Zero service center, unless otherwise specified by Sub-Zero. Service will be provided in the home during the normal business hours. This warranty applies only to products installed for normal residential use. Details regarding a non-residential warranty are available upon request.

The warranty applies only to products installed in any one of the fifty states of the United States, the District of Columbia or the ten provinces of Canada. This warranty does not cover any parts or labor to correct any defect caused by negligence, accident or improper use, maintenance, installation, service or repair, including but not limited to improper removal and reinstallation (whether in the unit or at a remote location) of the condensing unit.

THE REMEDIES DESCRIBED ABOVE FOR EACH WARRANTY ARE THE ONLY ONES THAT SUB-ZERO WILL PROVIDE, EITHER UNDER THESE WARRANTIES OR UNDER ANY WARRANTY ARISING BY OPERATION OF LAW. SUB-ZERO WILL NOT BE RESPONSIBLE FOR ANY CONSEQUENTIAL OR INCIDENTAL DAMAGES ARISING FROM THE BREACH OF THESE WARRANTIES OR ANY OTHER WARRANTIES, WHETHER EXPRESS, IMPLIED OR STATUTORY.

Some states do not allow the exclusion or limitation of incidental or consequential damages, so the above limitation or exclusion may not apply to you. This warranty gives you specific legal rights and you may also have other legal rights, which vary from state to state.

To receive parts and/or service and the name of the Sub-Zero authorized service center nearest you, contact your Sub-Zero dealer, distributor or the Sub-Zero Customer Service Department, P. O. Box 44130, Madison Wisconsin, 53744-4130; check the Contact & Support section of our website, subzero.com, or call 800-222-7820.

*Stainless Steel (classic, platinum and carbon) doors, panels, product frames and stainless interior surfaces are covered by a limited 60 day parts and labor warranty for cosmetic defects.

*Replacement water filter and air purification cartridges are not covered by the product warranty.





©Sub-Zero, Inc. all rights reserved. The information and images in this guide are the copyright property of Sub-Zero, Inc. Neither this guide nor any information or images contained herein may be copied or used in whole or in part without the express written permission of Sub-Zero, Inc.

Sub-Zero, Inc.

PO Box 44130
Madison, WI 53744-4130
800.222.7820
subzero.com



BIDG

6/2008

Free Manuals Download Website

<http://myh66.com>

<http://usermanuals.us>

<http://www.somanuals.com>

<http://www.4manuals.cc>

<http://www.manual-lib.com>

<http://www.404manual.com>

<http://www.luxmanual.com>

<http://aubethermostatmanual.com>

Golf course search by state

<http://golfingnear.com>

Email search by domain

<http://emailbydomain.com>

Auto manuals search

<http://auto.somanuals.com>

TV manuals search

<http://tv.somanuals.com>