



**New Built-In Model BI-36UG
Over-and-Under with Glass Door**

Over-and-under Model BI-36UG offers large refrigerated storage with a glass door, plus a convenient roll-out freezer drawer. Sub-Zero dual refrigeration along with new air purification and water filtration systems guard the freshness of your food and water like nothing before. Framed, overlay/flush inset and stainless steel models are available. A new flush inset installation option allows the unit to sit flush with surrounding cabinetry.



Stainless steel Model BI-36UG shown with tubular handles.

Features

- Framed, overlay/flush inset and stainless steel design applications
- Flush inset installation option allows unit to sit flush with surrounding cabinetry
- Triple-pane, UV-resistant glass door
- Air purification system
- Water filtration system
- Dual refrigeration system
- Flip-up grille for easy access to condenser
- Door shelves are adjustable in one-inch increments
- Crisper and deli drawers form a special low-temperature zone
- Informational freshness cards inside unit
- Max ice feature to increase rate of ice production for a 24-hour period
- Exceeds tough Department of Energy standards

| Model Options | BI-36UG/F | BI-36UG/O | BI-36UG/S/TH | BI-36UG/S/PH | BI-36UG/S/CH |
|---------------|-------------|---------------------|--------------|--------------|--------------|
| Design | Framed | Overlay/Flush Inset | Stainless | Stainless | Stainless |
| Grille | Louvered | Panel | Stainless | Stainless | Stainless |
| Handle | Full-Length | * | Tubular | Pro | Curved |

**Handle not included to allow for design flexibility.*

Interior Features

- **Refrigerator**
16.1 cu ft Capacity
Air Purification System
3 Adjustable Glass Shelves
1 Stationary Glass Shelf
1 High-Humidity Drawer with Dividers
1 Storage Drawer with Dividers
Triple-Pane UV-Resistant Glass Door
- **Freezer**
5.2 cu ft Capacity
Water Filtration System
Full-Extension Roll-Out Freezer Drawer
Two-Tier Wire Storage Baskets
Automatic Ice Maker

Accessories

- Louvered, panel and stainless steel grilles for 83", 84" and 88" finished heights
- Stainless steel front panels for framed and flush inset applications with stainless steel finish and handle options
- Side panels in classic stainless steel and white
- Stainless steel tubular, pro or curved handles and full-length extended handles
- Dozen egg container with lid
- Dual installation kit
- 90° door stop kit

Accessories are available through your Sub-Zero dealer. To obtain local dealer information, visit the Showroom Locator section of our website, subzero.com.



This appliance is certified by Star-K to meet strict religious regulations in conjunction with specific instructions found on www.star-k.org.



Flip-Up Grille



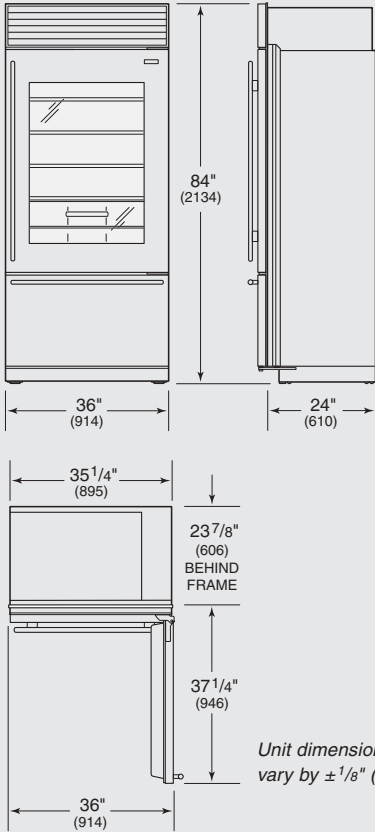
Air Purification System





Built-In Model BI-36UG

Overall Dimensions

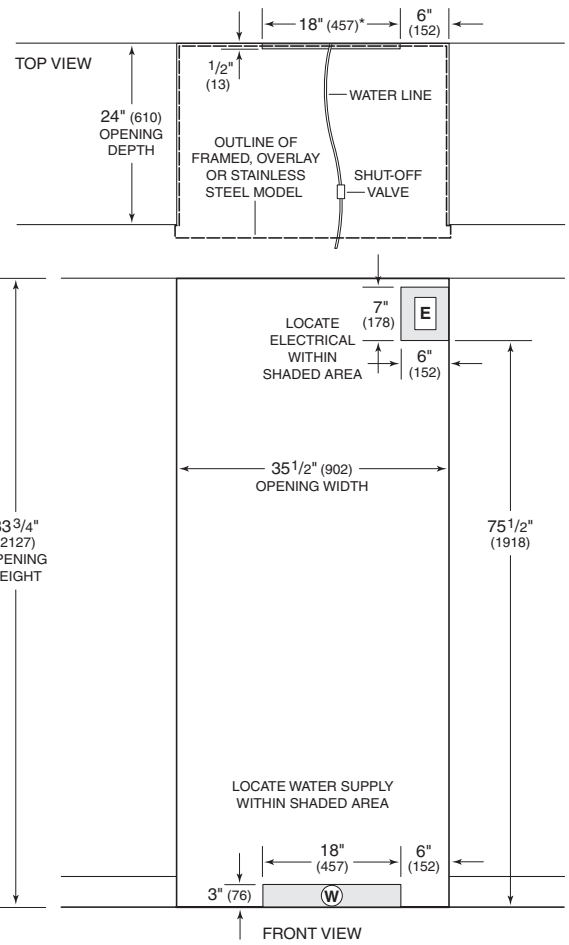


Installation Specifications

Standard Installation

*Anti-tip bracket must not interfere with water line. Extend water line approximately 36" from back wall.

Dimensions in parentheses are in millimeters unless otherwise specified.



Specifications

| | |
|-------------------------|---|
| Overall Dimensions | 36"W x 84"H x 24"D |
| Door Clearance | Standard 37 1/4" Flush Inset 37 3/4" |
| Opening Width | 35 1/2" |
| Flush Inset Width | 38" |
| Opening Height | 83 3/4" |
| Flush Inset Height | 84" |
| Opening Depth | 24" |
| Flush Inset Depth | 26 3/16" |
| Electrical Requirements | 115 V AC, 60 Hz 15 amp circuit |
| Plumbing Requirements | 1/4" OD copper line 30–100 psi |
| Shipping Weight | 523–529 lbs |

Installation Notes

Built-In models may be used in a standard installation or in a flush inset installation which allows the unit to be flush with surrounding cabinetry.

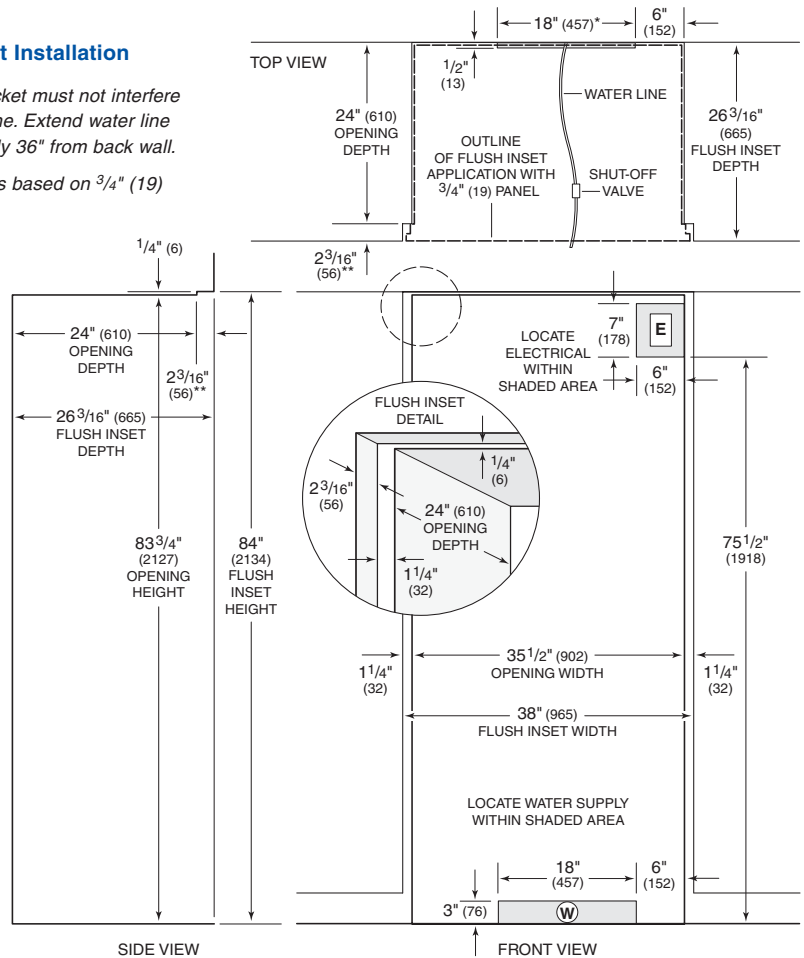
Built-In over-and-under models with opposite hinges can be used in a dual installation.

Complete installation specifications, including panel sizes, can be found on our website, subzero.com.

Flush Inset Installation

*Anti-tip bracket must not interfere with water line. Extend water line approximately 36" from back wall.

**Dimensions based on 3/4" (19) panels.



Free Manuals Download Website

<http://myh66.com>

<http://usermanuals.us>

<http://www.somanuals.com>

<http://www.4manuals.cc>

<http://www.manual-lib.com>

<http://www.404manual.com>

<http://www.luxmanual.com>

<http://aubethermostatmanual.com>

Golf course search by state

<http://golfingnear.com>

Email search by domain

<http://emailbydomain.com>

Auto manuals search

<http://auto.somanuals.com>

TV manuals search

<http://tv.somanuals.com>