



Integrated Refrigeration Design Guide





Contents

- 3 Integrated Refrigeration
- 4 Specifications
- 8 Custom Panels
- 11 Full-Scale Template

Features and specifications are subject to change at any time without notice. Visit subzero.com/specs for the most up-to-date information.

IMPORTANT NOTE: Throughout this guide, dimensions may vary by $\pm 1/8"$ (3). Dimensions in parentheses are millimeters unless otherwise specified.

Models IC-18F and IC-30R.

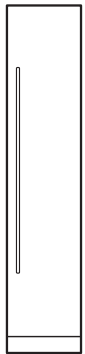
Integrated Refrigeration

With custom front panels and hardware, Sub-Zero invented integrated columns, tall and drawer models that disappear into the decor. Integrated units fit flush with other cabinets, making integrated refrigeration as practical and beautiful in the master suite, bar or theatre room as in the kitchen.

KEY FEATURES

- Custom front panels and hardware allow for infinite design options.
- Point-of-use refrigeration that can be placed anywhere in the home.
- Dual refrigeration; two compressors preserve food's goodness in self-contained compartments.
- Energy efficient; many models are ENERGY STAR® qualified.
- Star-K certified.

INTEGRATED MODELS



IC-18FI



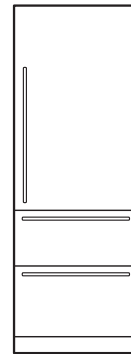
IC-24R,
IC-24FI



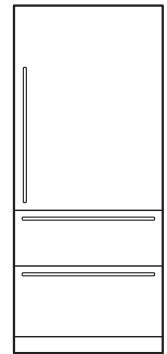
IC-30R(ID),
IC-30FI



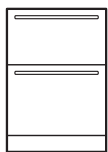
IC-36R(ID)



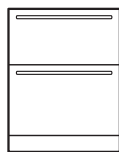
IT-30R(ID),
IT-30FI, IT-30CI(ID)



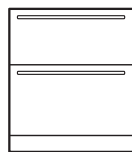
IT-36R(ID),
IT-36CI(ID)



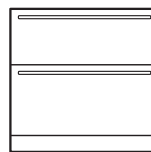
ID-24R,
ID-24F(I)



ID-27R



ID-30R(P),
ID-30F(I), ID-30C(I)



ID-36R(P),
ID-36C(I)

Specifications

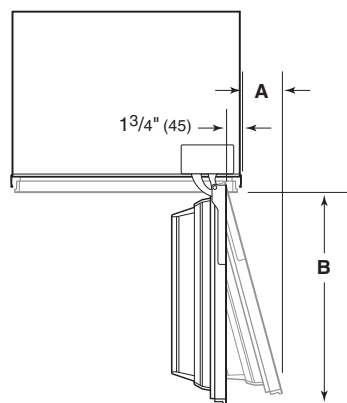
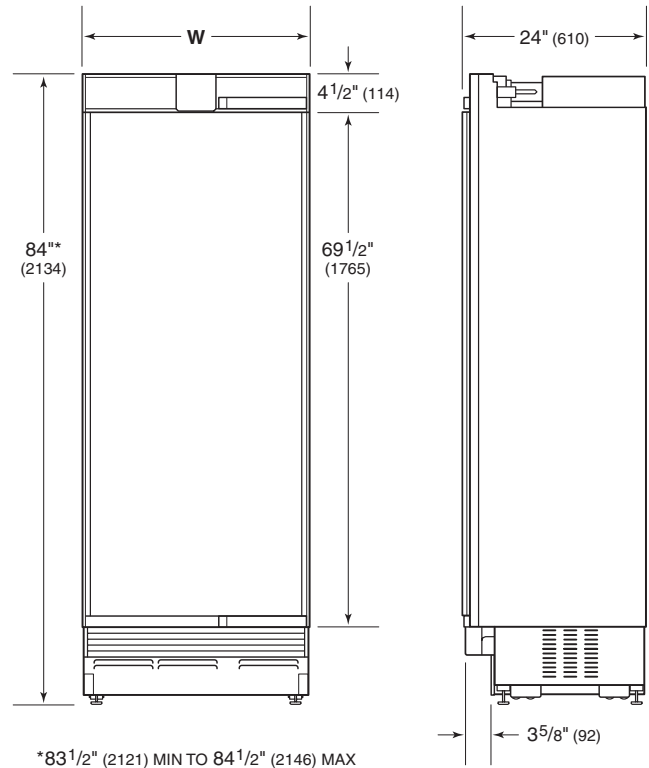
INTERIOR CAPACITY		
COLUMN	R CU FT (L)	F CU FT (L)
IC-18FI		8.4 (238)
IC-24R	12.9 (365)	
IC-24FI		12.3 (348)
IC-30R(ID)	17.3 (490)	
IC-30FI		15.3 (433)
IC-36R(ID)	21.4 (606)	
TALL	R CU FT (L)	F CU FT (L)
IT-30R(ID)	16.5 (467)	
IT-30FI		15.1 (428)
IT-30CI(ID)	10.6 (300)	5.0 (142)
IT-36R(ID)	20.5 (580)	
IT-36CI(ID)	13.3 (377)	6.4 (181)
DRAWER	R CU FT (L)	F CU FT (L)
ID-24R	4.0 (113)	
ID-24F(I)		3.8 (108)
ID-27R	4.6 (130)	
ID-30R(P)	5.2 (147)	
ID-30F(I)		4.9 (139)
ID-30C(I)	3.0 (85)	2.0 (57)
ID-36R(P)	6.6 (187)	
ID-36C(I)	3.4 (96)	2.5 (71)

SHIPPING WEIGHT	
COLUMN	LB (KG)
IC-18FI	260 (118)
IC-24R, IC-24FI	340 (154)
IC-30R(ID), IC-30FI	400 (181)
IC-36R(ID)	440 (200)
TALL	LB (KG)
IT-30R(ID), IT-30FI, IT-30CI(ID)	400 (181)
IT-36R(ID), IT-36CI(ID)	460 (209)
DRAWER	LB (KG)
ID-24R, ID-24F(I)	170 (77)
ID-27R	190 (86)
ID-30R(P), ID-30F(I), ID-30C(I)	210 (95)
ID-36R(P), ID-36C(I)	250 (113)

IMPORTANT NOTE: Overall dimensions do not include panels or handles. Dimensions will vary with panel thickness.

Overall Dimensions

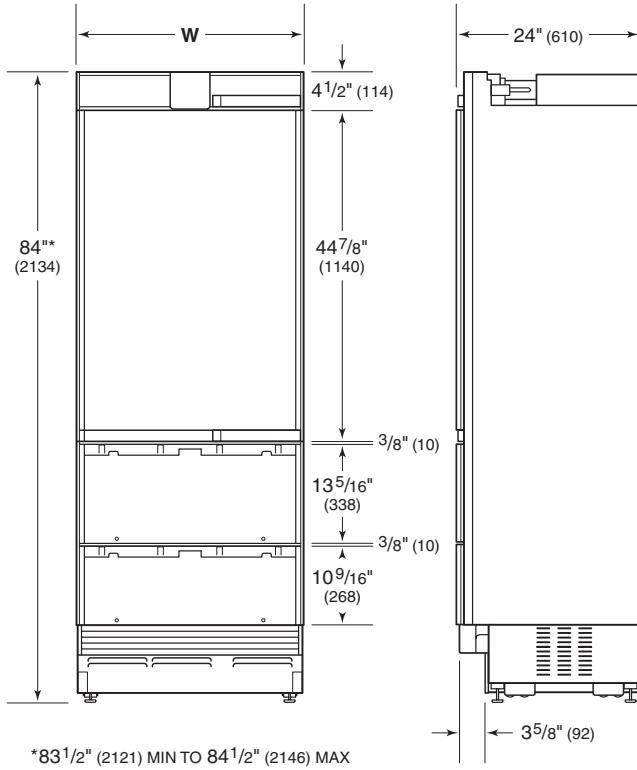
COLUMN



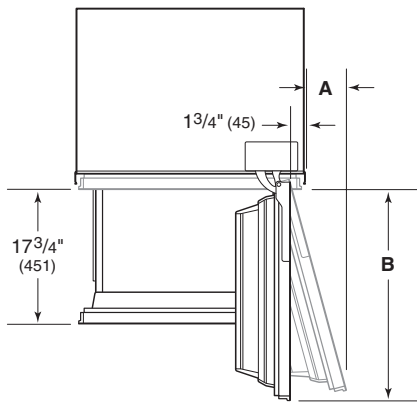
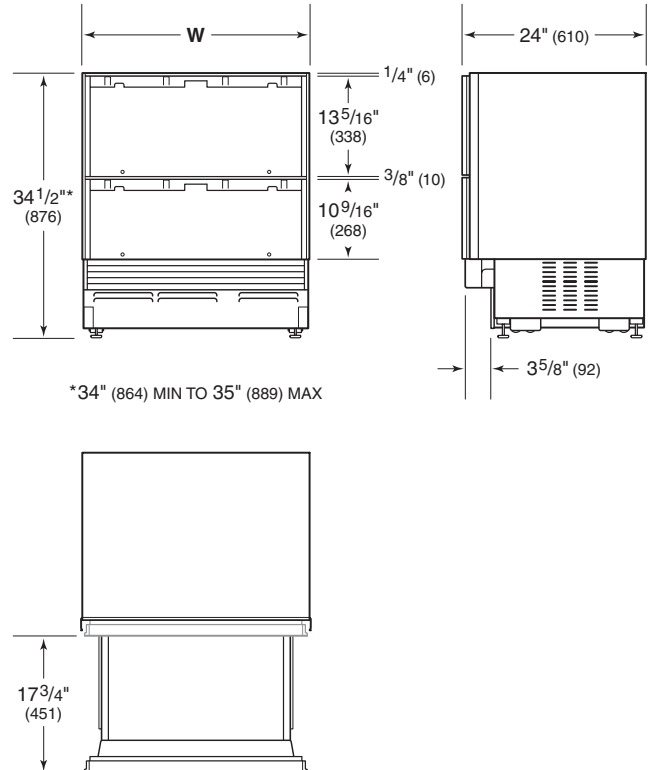
COLUMN	W	A	B
IC-18FI	18" (457)	2 1/2" (64)	16 1/2" (419)
IC-24R, IC-24FI	24" (610)	4" (102)	22 1/2" (572)
IC-30R(ID), IC-30FI	30" (762)	5 5/8" (143)	28 1/2" (724)
IC-36R(ID)	36" (914)	7 1/4" (184)	34 1/2" (876)

Overall Dimensions

TALL



DRAWER

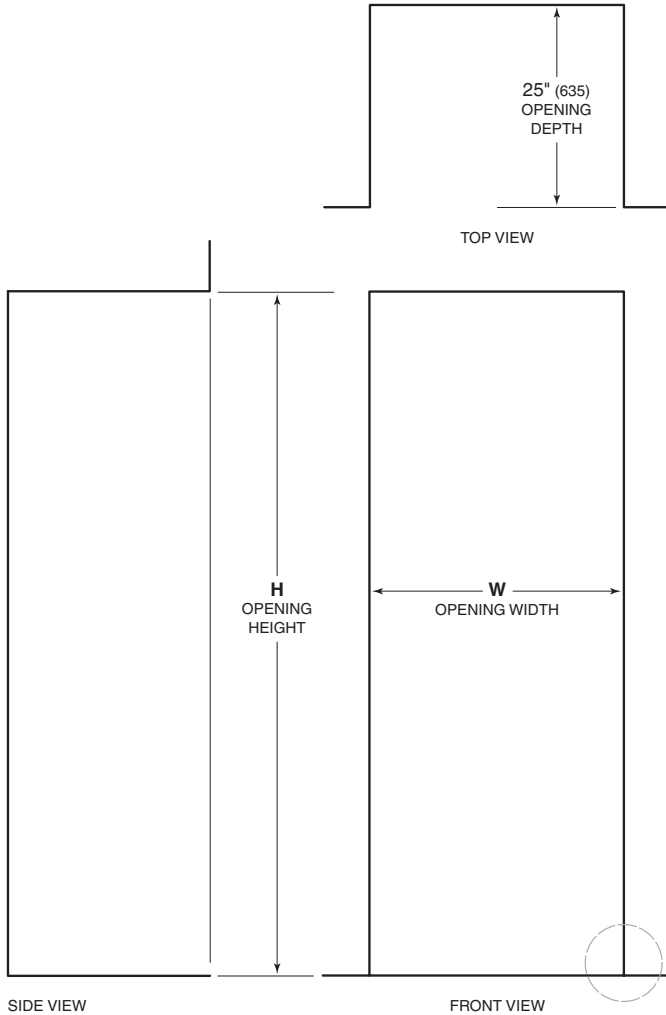


DRAWER	
MODEL	W
ID-24R, ID-24F(I)	24" (610)
ID-27R	27" (686)
ID-30R(P), ID-30F(I), ID-30C(I)	30" (762)
ID-36R(P), ID-36C(I)	36" (914)

TALL			
MODEL	W	A	B
IT-30R(ID), IT-30FI	30" (762)	5 5/8" (143)	28 1/2" (724)
IT-30CI(ID)	30" (762)	5 5/8" (143)	28 1/2" (724)
IT-36R(ID), IT-36CI(ID)	36" (914)	7 1/4" (184)	34 1/2" (876)

Opening Dimensions

INTEGRATED MODELS



NOTE: Shaded areas will be visible and should be finished to match cabinetry.

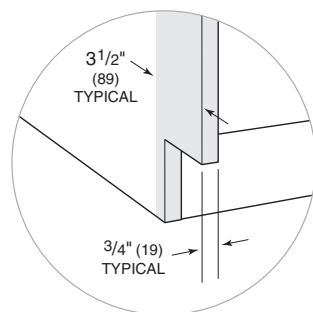
OPENING DIMENSIONS		
COLUMN	W	H
IC-18FI	18" (457)	84" (2134)
IC-24R, IC-24FI	24" (610)	84" (2134)
IC-30R(ID), IC-30FI	30" (762)	84" (2134)
IC-36R(ID)	36" (914)	84" (2134)
TALL	W	H
IT-30R(ID), IT-30FI, IT-30CI(ID)	30" (762)	84" (2134)
IT-36R(ID), IT-36CI(ID)	36" (914)	84" (2134)
DRAWER	W	H
ID-24R, ID-24F(I)	24" (610)	34 1/2" (876)
ID-27R	27" (686)	34 1/2" (876)
ID-30R(P), ID-30F(I), ID-30C(I)	30" (762)	34 1/2" (876)
ID-36R(P), ID-36C(I)	36" (914)	34 1/2" (876)

The depth of each integrated model is 24" (610). Allow for panel thickness when planning the finished opening depth. Approximately 3 1/2" (89) of the opening depth may be visible when the door/drawers are open and should be finished to match cabinetry. Refer to the illustration below.

DUAL INSTALLATION

When installing two units side by side in a dual installation, the opening width is the width of the two units added together. A dual installation kit will be required for this installation. If a dual installation kit is not specified, a minimum 2" (51) filler strip is required between units.

Dual installation kits are available through an authorized Sub-Zero dealer. For local dealer information, visit the find a showroom section of our website, subzero.com. For questions regarding the installation, call Sub-Zero customer care at 800-222-7820.



Electrical

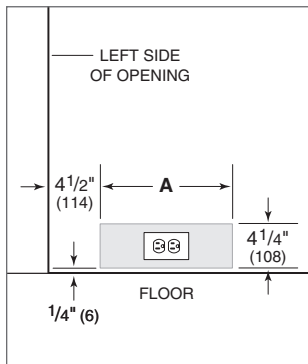
The electrical supply must be located within the shaded area shown in the illustration and chart below. A separate circuit, servicing only this appliance is required. A ground fault circuit interrupter (GFCI) is not recommended and may cause interruption of operation.

The electrical outlet must be positioned with the grounding prong to the right of the thinner blades.

Installation must comply with all applicable electrical codes.

ELECTRICAL REQUIREMENTS	
Electrical Supply	115 VAC, 60 Hz
Service	15 amp
Receptacle	3-prong grounding-type

ELECTRICAL SUPPLY LOCATION	
MODEL	A
18" Model	6" (152)
24" Model	9 1/2" (241)
27" Model	11" (279)
30" Model	12 1/2" (318)
36" Model	15 1/2" (394)



Electrical supply location.

Plumbing

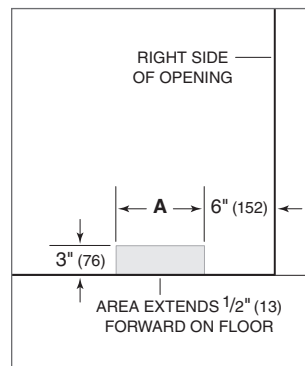
The water supply line should be located within the shaded area shown in the illustration below. The water supply line should be connected to the house supply with an easily accessible shut-off valve. Do not use self-piercing valves. The water supply line must not interfere with installation of the anti-tip bracket.

A reverse osmosis system can be used provided there is constant water pressure of 35–120 psi (2.4–8.3 bar) supplied to the unit at all times. A copper line is not recommended for this application.

Installation must comply with all applicable plumbing codes.

PLUMBING REQUIREMENTS	
Water Supply	1/4" OD copper, braided stainless steel or PEX tubing
Pressure	35–120 psi (2.4–8.3 bar)
Excess Line for Connection	36" (914)

WATER SUPPLY LOCATION	
MODEL	A
18" Model	3" (76)
24" Model	5 1/2" (140)
30" Model	6" (152)
36" Model	9" (229)



Water supply location.

Custom Panels

For integrated models, custom door panels and handle hardware must be provided. Refer to the panel requirements chart and typical panel dimensions.

The thickness of the custom panel can vary. A minimum 5/8" (16) thick panel is required, but the thickness can be increased provided it does not exceed the weight limit. The depth of each integrated model is 24" (610). Allow for panel thickness when planning the finished opening depth. Refer to the full-scale template on page 11.

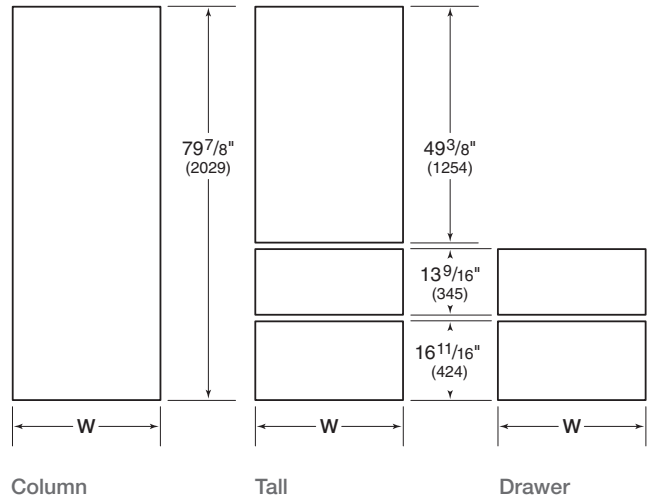
CAUTION
As reveals between cabinetry and the unit decrease, severe finger pinching can occur while door is closing.

Finish all sides of custom panels. They will be visible when the door/drawer is open.

D-style handles are recommended. Door handles must be located near the edge of the panel opposite the hinge and should be centered top to bottom. Drawer handles must be located near the top edge of each panel. Stainless steel tubular and pro handles are available through an authorized Sub-Zero dealer. For local dealer information, visit the find a showroom section of our website, subzero.com.

PANEL REQUIREMENTS	
PANEL WEIGHT	MAX
18" Column	45 lb (20 kg)
24" Column	60 lb (27 kg)
30" Column	75 lb (34 kg)
36" Column	75 lb (34 kg)
PANEL WEIGHT	MAX
30" Tall (door)	50 lb (22 kg)
36" Tall (door)	60 lb (27 kg)
Drawer	15 lb (7 kg)
PANEL THICKNESS	MIN
All Panels	5/8" (16)

TYPICAL PANEL DIMENSIONS



Typical panel dimensions are based on an 84" (2134) finished height for column and tall models and 34 1/2" (876) for drawer models, with a 4" (102) toe kick and 1/8" (3) reveals. Panel dimensions must be adjusted accordingly for all other installations. Refer to the illustration for panel heights and the chart below for panel widths.

PANEL WIDTH	
MODEL	W
18" Model	17 3/4" (451)
24" Model	23 3/4" (603)
27" Model	26 3/4" (679)
30" Model	29 3/4" (756)
36" Model	35 3/4" (908)

DUAL INSTALLATION

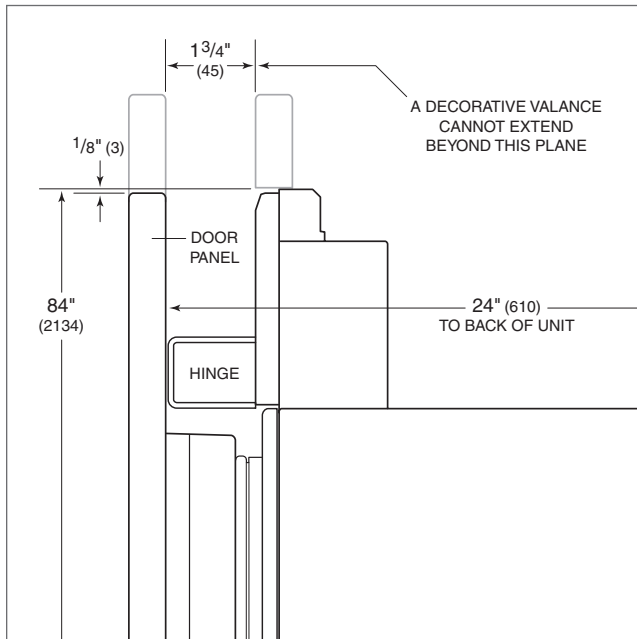
For dual installations, refer to the illustration for panel heights and the chart below for panel widths.

PANEL WIDTH	
MODEL	W
18" Model	17 13/16" (452)
24" Model	23 13/16" (605)
27" Model	26 13/16" (681)
30" Model	29 13/16" (757)
36" Model	35 13/16" (910)

Custom Panels

DOOR PANEL HEIGHT

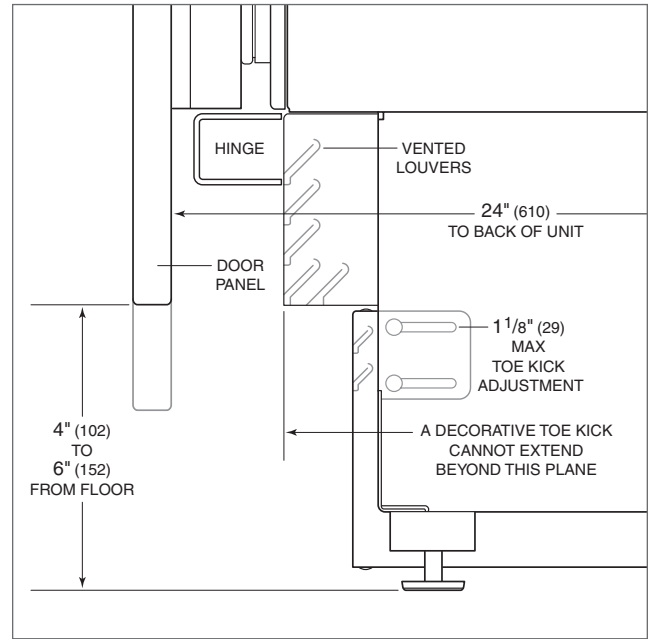
The height of the custom door panel can extend beyond the typical panel height, provided it does not exceed the weight limit. Refer to the illustration below.



Upper valance (column and tall)—side view.

TOE KICK CLEARANCE

The height of the toe kick area can extend beyond the typical toe kick height, provided it does not exceed the dimensions in the illustration below.



Toe kick—side view.

Handle Hardware

Optional stainless steel tubular and pro handles are available through an authorized Sub-Zero dealer. For local dealer information, visit the find a showroom section of our website, subzero.com.

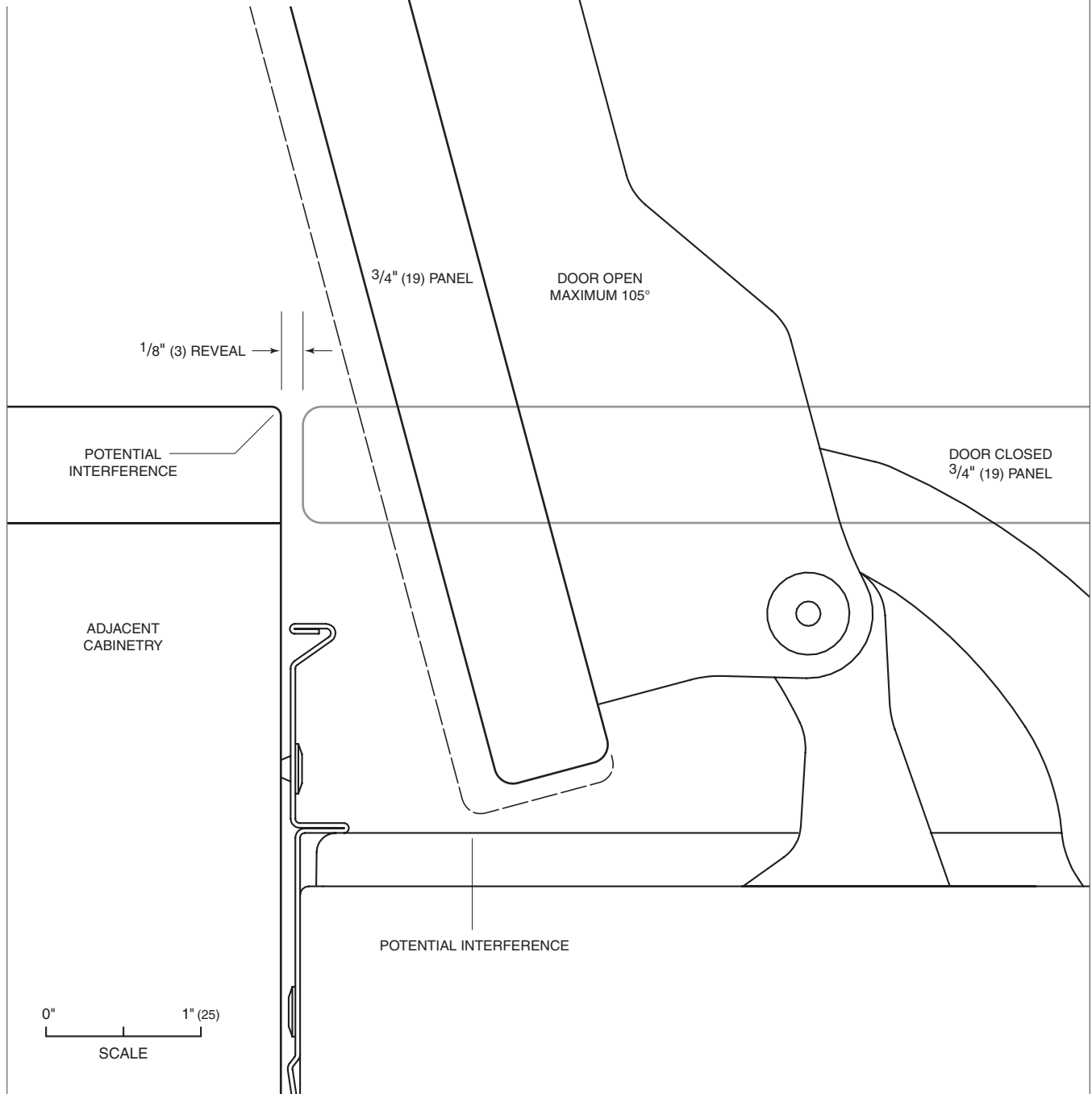
Refer to the chart below for the length and stud spacing of standard handles for integrated models.

STANDARD HANDLES		
COLUMN	LENGTH	STUD SPACING
Tubular	50 ¹ / ₈ " (1273)	47 ¹ / ₈ " (1197)
Pro	48 ³ / ₈ " (1229)	47 ¹ / ₈ " (1197)
TALL (DOOR) / 36" DRAWER	LENGTH	STUD SPACING
Tubular	33 ¹ / ₄ " (845)	30 ¹ / ₄ " (768)
Pro	31 ¹ / ₂ " (851)	30 ¹ / ₄ " (768)
30" DRAWER	LENGTH	STUD SPACING
Tubular	27 ¹ / ₄ " (692)	24 ¹ / ₄ " (616)
Pro	25 ¹ / ₂ " (648)	24 ¹ / ₄ " (616)
27" DRAWER	LENGTH	STUD SPACING
Tubular	24 ¹ / ₄ " (616)	21 ¹ / ₄ " (540)
Pro	22 ¹ / ₂ " (572)	21 ¹ / ₄ " (540)
24" DRAWER	LENGTH	STUD SPACING
Tubular	21 ¹ / ₄ " (540)	18 ¹ / ₄ " (464)
Pro	19 ¹ / ₂ " (495)	18 ¹ / ₄ " (464)

Maximum Door Opening

FULL-SCALE TEMPLATE

As the panel width and/or depth increases, so does the potential for panel interference. Interference may be minimized by utilizing the 90° door stop.



Maximum door opening (top view).

Sub-Zero Residential Limited Warranty

FOR RESIDENTIAL USE

FULL TWO YEAR WARRANTY*

For two years from the date of original installation, this Sub-Zero product warranty covers all parts and labor to repair or replace, under normal residential use, any part of the product that proves to be defective in materials or workmanship. All service provided by Sub-Zero under the above warranty must be performed by Sub-Zero factory certified service, unless otherwise specified by Sub-Zero, Inc. Service will be provided during normal business hours.

FULL FIVE YEAR SEALED SYSTEM WARRANTY

For five years from the date of original installation, this Sub-Zero product warranty covers all parts and labor to repair or replace, under normal residential use, these parts that prove to be defective in materials or workmanship: compressor, condenser, evaporator, drier and all connecting tubing. All service provided by Sub-Zero under the above warranty must be performed by Sub-Zero factory certified service, unless otherwise specified by Sub-Zero, Inc. Service will be provided during normal business hours.

LIMITED TWELVE YEAR SEALED SYSTEM WARRANTY

For twelve years from the date of original installation, Sub-Zero will repair or replace the following parts that prove to be defective in materials or workmanship: compressor, condenser, evaporator, drier and all connecting tubing. If the owner uses Sub-Zero factory certified service, the service provider will repair or replace these parts with the owner paying for all other costs, including labor. If the owner uses non-certified service, the owner must contact Sub-Zero, Inc. (using the information below) to receive repaired or replacement parts. Sub-Zero will not reimburse the owner for parts purchased from non-certified service or other sources.

TERMS APPLICABLE TO EACH WARRANTY

The warranty applies only to products installed for normal residential use. The warranty applies only to products installed in any one of the fifty states of the United States, the District of Columbia or the ten provinces of Canada. This warranty does not cover any parts or labor to correct any defect caused by negligence, accident or improper use, maintenance, installation, service or repair.

THE REMEDIES DESCRIBED ABOVE FOR EACH WARRANTY ARE THE ONLY ONES THAT SUB-ZERO, INC. WILL PROVIDE, EITHER UNDER THIS WARRANTY OR UNDER ANY WARRANTY ARISING BY OPERATION OF LAW. SUB-ZERO, INC. WILL NOT BE RESPONSIBLE FOR ANY CONSEQUENTIAL OR INCIDENTAL DAMAGES ARISING FROM THE BREACH OF THIS WARRANTY OR ANY OTHER WARRANTY, WHETHER EXPRESS, IMPLIED OR STATUTORY.

Some states do not allow the exclusion or limitation of incidental or consequential damages, so the above limitation or exclusion may not apply to you. This warranty gives you specific legal rights and you may also have other legal rights that vary from state to state.

To receive parts and/or service and the name of Sub-Zero factory certified service nearest you, contact Sub-Zero, Inc., P.O. Box 44848, Madison, WI 53744; check the contact & support section of our website, subzero.com, email us at customerservice@subzero.com or call 800-222-7820.

*Stainless steel (doors, panels, handles, product frames and interior surfaces) are covered by a limited 60-day parts and labor warranty for cosmetic defects.

*Replacement water filters and air purification cartridges are not covered by the product warranty.



Sub-Zero, Sub-Zero & Design, Dual Refrigeration, Constant Care, The Living Kitchen, Great American Kitchens The Fine Art of Kitchen Design, and Ingredients are registered trademarks and service marks of Sub-Zero, Inc. Wolf, Wolf & Design, Wolf Gourmet, W & Design and the color red as applied to knobs are registered trademarks and service marks of Wolf Appliance, Inc. (collectively, the "Company Marks.") All other trademarks or registered trademarks are property of their respective owners in the United States and other countries.



SUB-ZERO

SUB-ZERO, INC. P.O. BOX 44848 MADISON, WI 53744 SUBZERO.COM 800.222.7820

SZINIP2DG

9/2013

Free Manuals Download Website

<http://myh66.com>

<http://usermanuals.us>

<http://www.somanuals.com>

<http://www.4manuals.cc>

<http://www.manual-lib.com>

<http://www.404manual.com>

<http://www.luxmanual.com>

<http://aubethermostatmanual.com>

Golf course search by state

<http://golfingnear.com>

Email search by domain

<http://emailbydomain.com>

Auto manuals search

<http://auto.somanuals.com>

TV manuals search

<http://tv.somanuals.com>