

FEATURES

- Upper cabinet refrigerator and two refrigerator drawers.
- Custom front panels and hardware allow for infinite design options.
- Point-of-use refrigeration that can be placed anywhere in the home.
- Self-contained compartments preserves food's goodness.
- Redesigned sleek, minimalist interior is lit by LEDs to reduce heat.
- Interactive control panel with touch screen and precise temperature control.
- Air purification system reduces odors, bacteria, viruses and ethylene gas.
- Internal dispenser provides filtered, chilled water inside refrigerator (model IT-36RID).
- Advanced water filtration system (model IT-36RID).
- Adjustable shelves are engineered for liquid nano-retention, so spills stay put.
- Crisper drawer provides a lower-temperature, higher-humidity freshness preservation zone.
- Dampened hinges.
- Smart Grid ready.
- Informational freshness cards inside the refrigerator for easy reference.
- ENERGY STAR® qualified.
- Star-K certified.



MODEL OPTIONS

REFRIGERATOR

Internal dispenser	IT-36RID
Without dispenser	IT-36R

INTERIOR FEATURES

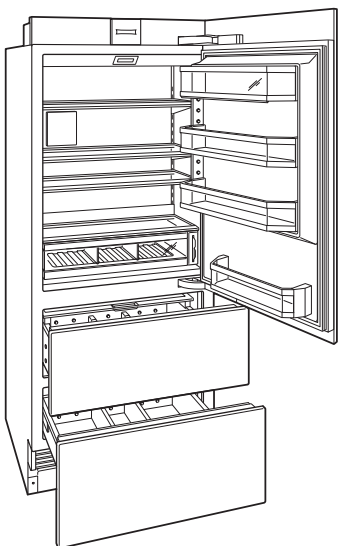
REFRIGERATOR

- 3 Adjustable glass shelves
- 1 Stationary shelf
- Deli drawer with 2 adjustable dividers
- Adjustable dairy compartment
- 2 Adjustable door shelves
- 1 Stationary door shelf
- High humidity crisper drawer with sliding cover and adjustable dividers

ACCESSORIES

- Stainless steel front panels with tubular or pro handles and 4" or 6" toe kick.
- Stainless steel tubular and pro handles.
- Dual installation kit.
- Dozen egg container.

Accessories available through an authorized Sub-Zero dealer. For local dealer information, visit the find a showroom section of our website, subzero.com.



SPECIFICATIONS	
PRODUCT	
Dimensions	36"W x 84"H x 24"D
Weight	460 lb
CAPACITY	
Refrigerator	20.5 cu ft
ELECTRICAL	
Supply	115 VAC, 60 Hz
Service	15 amp circuit
PLUMBING	
Supply	1/4" OD copper, braided stainless steel or PEX tubing
Pressure	35–120 psi

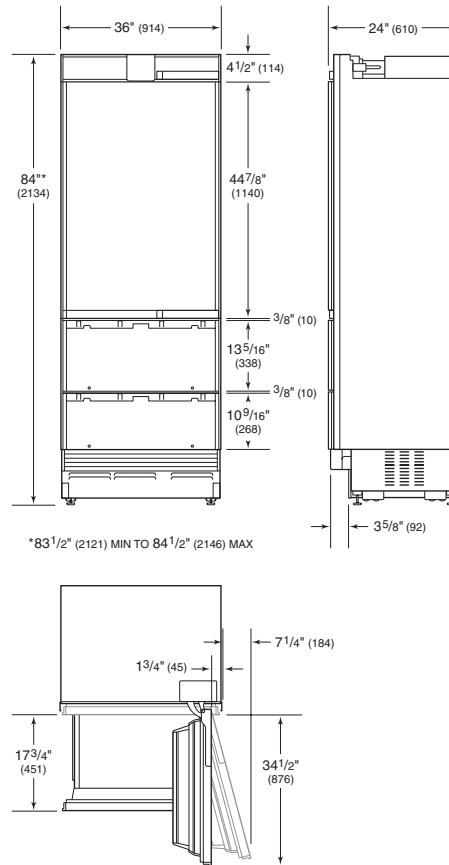
Overall dimensions do not include panels or handles. Dimensions will vary with panel thickness.

The depth of each integrated model is 24". Allow for panel thickness when planning the finished opening depth.

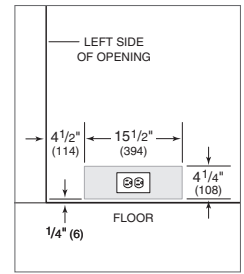
Specifications are subject to change without notice. Visit subzero.com/specs for the most up-to-date information.

Dimensions may vary $\pm 1/8"$ (3). Dimensions in parentheses are millimeters unless otherwise specified.

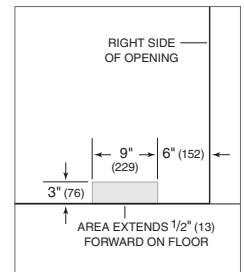
DIMENSIONS



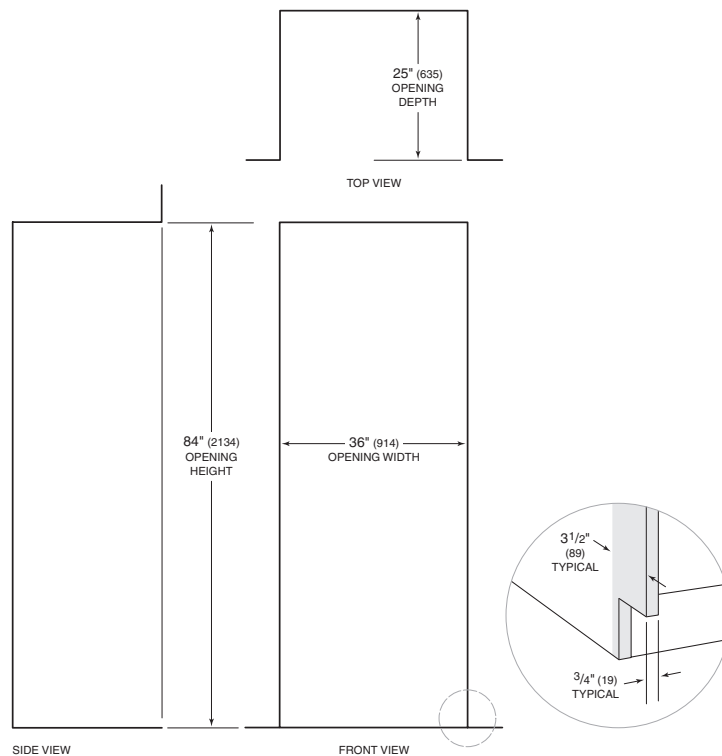
ELECTRICAL



PLUMBING



INSTALLATION



NOTE: Shaded areas will be visible and should be finished to match cabinetry.

Free Manuals Download Website

<http://myh66.com>

<http://usermanuals.us>

<http://www.somanuals.com>

<http://www.4manuals.cc>

<http://www.manual-lib.com>

<http://www.404manual.com>

<http://www.luxmanual.com>

<http://aubethermostatmanual.com>

Golf course search by state

<http://golfingnear.com>

Email search by domain

<http://emailbydomain.com>

Auto manuals search

<http://auto.somanuals.com>

TV manuals search

<http://tv.somanuals.com>