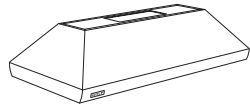
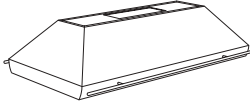


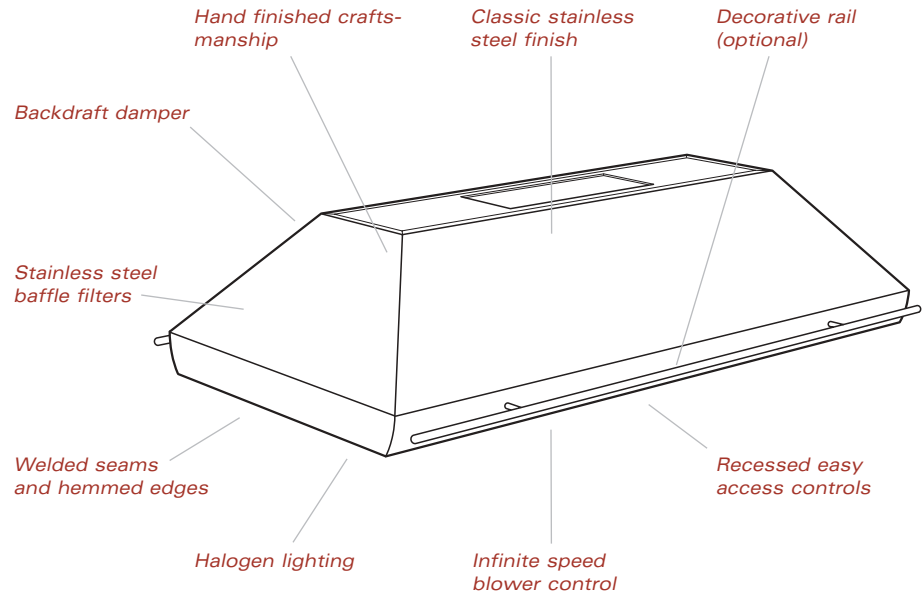
Model I663418(R) Pro Island Hood



Model I663418



Model I663418R
Rail Option



Model I663418R shown with standard classic stainless steel decorative rails, platinum rails available as a sales accessory

► Wolf Pro island hoods are available in the classic stainless steel finish. Rail option hoods (R) come with classic stainless steel decorative rails and stand-offs for both sides of the hood. Optional platinum rails match dual fuel range bezels. Pro island hoods are sold as a shell only; internal, in-line and remote blower options are available.

A Wolf Pro island hood — the final touch to complete your stage featuring professional cooking equipment. This premier ventilation system complements your cooking appliance of choice, guaranteeing you'll look the part, no matter what new cooking challenges you take on.

This 66" (1676) wide island hood is 34" (864) deep and available in the classic stainless steel finish. You also have the option of decorative rails. While classic stainless steel rails are standard on the (R) model, platinum rails are also available to match the bezels of our dual fuel ranges and sealed burner rangetops.

The Pro island hoods are recommended for use with all Wolf cooking appliances.

Dimensions in parentheses are in millimeters unless otherwise specified.

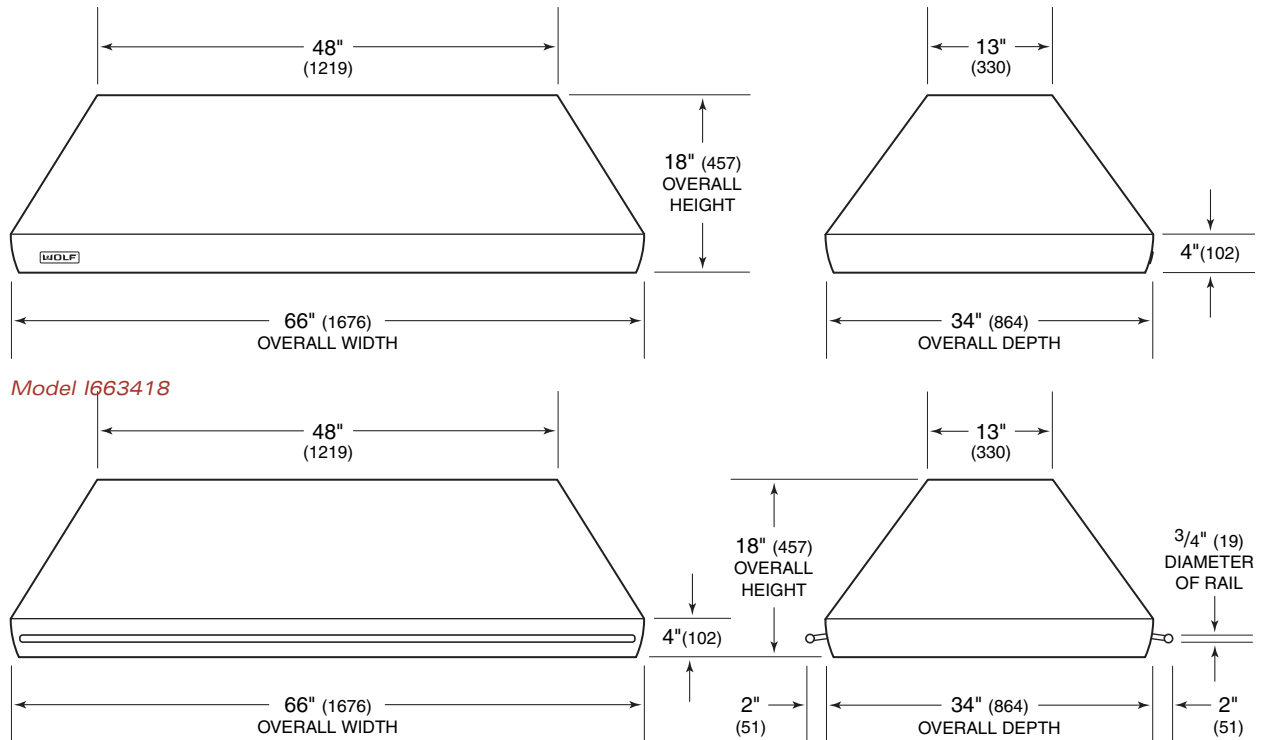
9/06

Model I663418(R) Pro Island Hood

FEATURES

- ▶ Classic stainless steel finish
- ▶ Rail option hoods (R) come with classic stainless steel decorative rails and stand-offs - optional platinum rails to match dual fuel range and sealed burner rangetop bezels are available as a sales accessory
- ▶ Internal, in-line and remote blower options
- ▶ Heavy-duty 16-gauge brushed stainless steel construction
- ▶ Stainless steel enclosed liner
- ▶ Continually welded seams, hemmed edges and sides and hand finished craftsmanship
- ▶ Recessed easy-access controls
- ▶ Infinite-speed blower control
- ▶ Heat sentry feature automatically turns unit on when heat is sensed and automatically adjusts blower speed
- ▶ Halogen lighting with two settings
- ▶ Removable, dishwasher-safe, restaurant-grade stainless steel baffle filters
- ▶ Transition with backdraft damper included
- ▶ UL listed to US and Canadian safety standards
- ▶ UL approved for covered outdoor applications
- ▶ Two and five year residential warranty - exclusions apply; warranty information can be found on our website, wolfappliance.com

OVERALL DIMENSIONS ▼



Model I663418R with Rail

Dimensions may vary by $\pm 1/8$ " (3).

Dimensions in parentheses are in millimeters unless otherwise specified.

Model I663418(R) Pro Island Hood

BLOWER OPTIONS ▼

1200 CFM Internal Blower	804703
1100 CFM In-Line Blower	808332
1200 CFM Remote Blower	801642
1500 CFM Remote Blower	804701

Refer to the Pro Ventilation Recommendations chart at the end of this section.

ACCESSORIES

- ▶ Platinum decorative rails and stand-offs for both sides of the hood
- ▶ 6" (152) and 12" (305) duct covers

Contact your Wolf dealer for additional information on accessories.

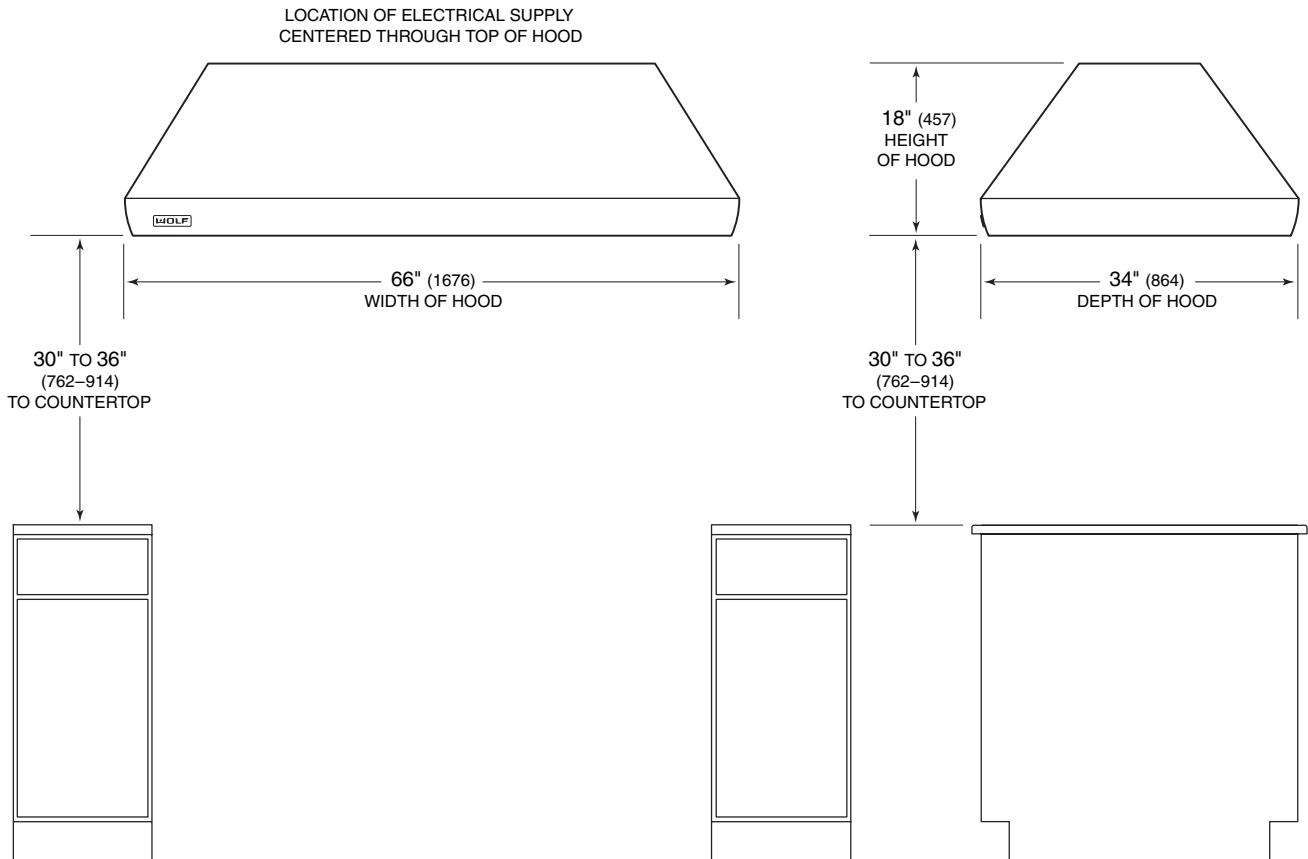
SPECIFICATIONS ▼

Overall Width of Hood	66" (1676)
Overall Height of Hood	18" (457)
Overall Depth of Hood - I663418	34" (864)
I663418R (including rails)	38" (965)
Duct Size	10" (254) Round
Discharge	Vertical
Electrical Supply Requirements	110/120 V AC, 60 Hz 15 amp dedicated circuit
Shipping Weight (shell only)	168 lbs (76 kg)

Specifications are subject to change without notice.

Model I663418(R) Pro Island Hood

INSTALLATION SPECIFICATIONS



DIMENSIONS

Overall Width of Hood	66" (1676)
Overall Height of Hood	18" (457)
Overall Depth of Hood (excluding rails)	34" (864)
Countertop to Bottom of Hood	30" (762) to 36" (914)
Location of Electrical	Centered through top of hood

See Installation Instructions shipped with unit for detailed specifications.

Dimensions in parentheses are in millimeters unless otherwise specified.

Model I663418(R) Pro Island Hood

INSTALLATION NOTES

- ▶ Refer to the illustrations and specifications for overall dimensions and installation specifics.
- ▶ Wolf Pro island hoods are recommended for use with any Wolf cooking appliance. The hood must overlap the cooking surface by a minimum of 3" (76) on either side.
- ▶ Installation of all Pro island hoods should be 30" (762) to 36" (914) from the bottom of the hood to the countertop. Follow the dimensions shown in the Installation illustration.
- ▶ Wolf Pro island hoods are shipped without a blower assembly. Internal, in-line and remote blower assemblies are available. Blower options also vary with the volume of air that needs to be moved and the length of the duct run. Refer to the charts at the end of this section for Pro ventilation recommendations and blower options.

IMPORTANT NOTE: Install this ventilation hood only with a Wolf blower.

- ▶ Pro island hoods require a separate, grounded 110/120 V AC, 60 Hz power supply. The service should have its own 15 amp circuit breaker. Placement of the electrical supply is not critical, as long as you provide a minimum of 6" (152) of 120 V AC, 60 Hz power cable. Location of electrical is centered through the top of the hood as shown in the Installation illustration on page 4.
- ▶ You must follow all National Electrical Code regulations. In addition, be aware of local codes and ordinances when installing your service.
- ▶ Refer to the installation instructions shipped with each Wolf product for detailed specifications. This information can also be found on our website, wolfappliance.com.

Model I663418(R) Pro Island Hood

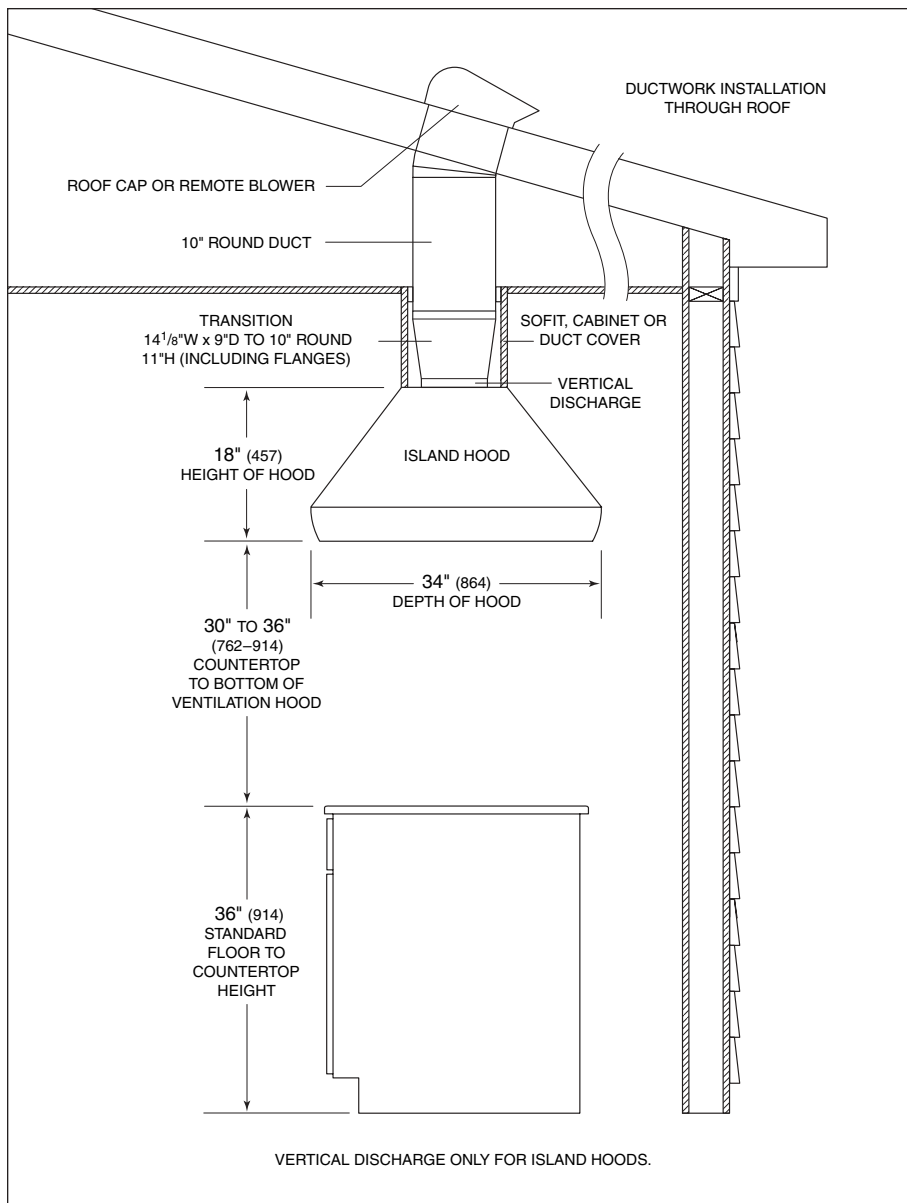
DUCTING CONSIDERATIONS

Pro island hoods are shipped without the blower assembly. Internal, in-line or remote blower assemblies are available.

Wolf Pro island hoods have a vertical discharge location as shown in the illustration below.

IMPORTANT NOTE: Install these ventilation hoods only with a Wolf blower.

Refer to the Pro ventilation charts at the end of this section for recommendations and blower options.



Ducting considerations for Pro island hoods.

Dimensions in parentheses are in millimeters unless otherwise specified.

Wolf Ventilation Recommendations

WOLF BLOWER ASSEMBLIES

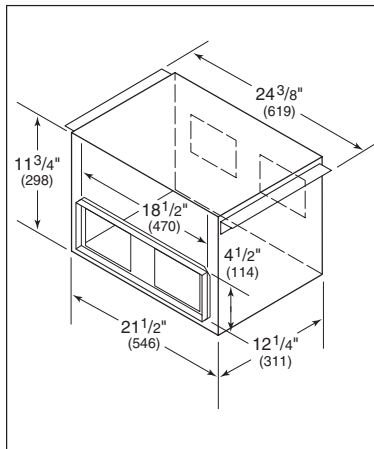
A ventilation system must include a blower assembly. With a few exceptions where internal blowers are included, Wolf ventilation hoods and downdrafts are shipped without the blower assembly. An internal, in-line or remote blower assembly must be selected to accommodate the cooking appliance, CFM requirements and homeowner preferences. Internal, in-line and remote blower assemblies are available as sales accessories through your Wolf dealer.

Wolf internal, in-line and remote blowers are for use with Wolf cooktop hoods, downdraft systems and Pro ventilation hoods and hood liners.

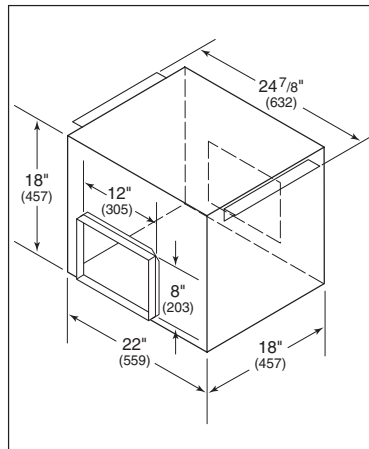
IMPORTANT NOTE: Use only a Wolf blower with all Wolf ventilation products.

Internal blowers are mounted inside the hood canopy or downdraft blower box. In-line blowers are mounted in between the hood and the exterior of the home. Remote blowers can be mounted on the roof or in some cases, on an exterior wall. Refer to the illustrations below for dimensions of Wolf in-line and remote blowers.

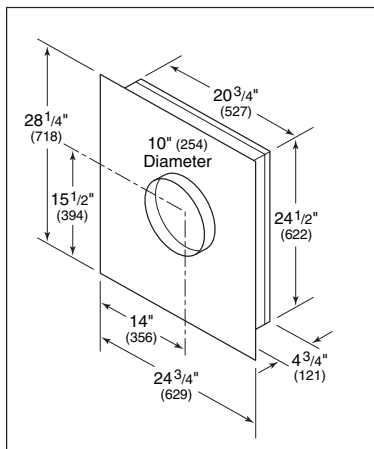
Ventilation recommendation charts on the following pages provide minimum CFM recommendations according to the cooking appliance and ventilation system used and blower options for each specific ventilation hood or downdraft.



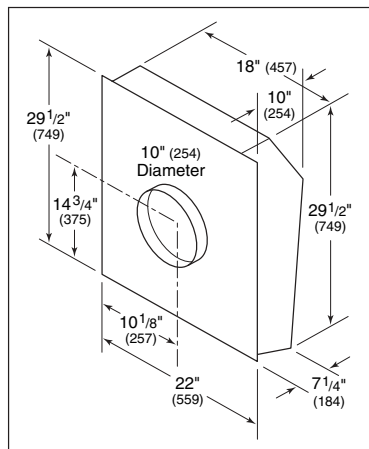
► In-line BLOWER-60IL



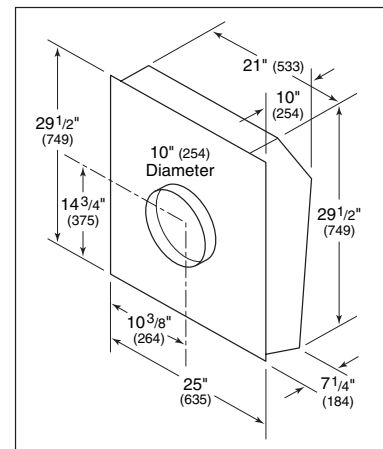
► In-line BLOWER-110IL



► Remote BLOWER-60REM and BLOWER-90REM



► Remote BLOWER-120REM



► Remote BLOWER-150REM

Dimensions may vary by $\pm 1/8$ " (3).

Dimensions in parentheses are in millimeters unless otherwise specified.

Wolf Ventilation Recommendations

PRO VENTILATION CFM RECOMMENDATIONS

Pro Island Hoods

	I363418	I423418	I543418	I663418
DF304 / R304 / SRT304	600	600		
DF366 / R366 / SRT366 / RT366		900		
DF364 / R364 / SRT364 / RT364		900		
RT362		900		
R488 / RT488			1100	
DF486 / R486 / SRT486 / RT486			1100	
DF484 / R484 / SRT484 / RT484			900	
R482 / RT482			900	
DF606 / R606				1500
DF604 / R604				1500

Model numbers for dual fuel ranges, gas ranges, sealed burner rangetops and gas rangetops indicate width and number of surface burners. Features such as a charbroiler, griddle and/or French Top will vary.

CFM recommendations are based on total Btu/hr output. Wolf recommends 1 CFM per 100 Btu/hr (.03 kW). Additional CFM may be required for long duct runs.

PRO VENTILATION BLOWER OPTIONS

Pro Island Hoods

Blower Description	Blower Number	Island Hood Models
1200 CFM Internal	IBLOWER-120INT (804703)	All Island Hoods
1100 CFM In-Line	BLOWER-110IL (808332)	All Island Hoods
900 CFM Remote	BLOWER-90REM (801641)	I363418 / I423418 / I543418
1200 CFM Remote	BLOWER-120REM (801642)	All Island Hoods
1500 CFM Remote	BLOWER-150REM (804701)	All Island Hoods

Vertical discharge with 10" (254) round duct.

Island hood models without decorative rails listed; blower options are the same for (R) models. Transition with backdraft damper included with island hoods. Blower configurations are for reference only. Refer to minimum CFM recommendations for your specific cooking product. Always consult a qualified HVAC Engineer for specific applications

Free Manuals Download Website

<http://myh66.com>

<http://usermanuals.us>

<http://www.somanuals.com>

<http://www.4manuals.cc>

<http://www.manual-lib.com>

<http://www.404manual.com>

<http://www.luxmanual.com>

<http://aubethermostatmanual.com>

Golf course search by state

<http://golfingnear.com>

Email search by domain

<http://emailbydomain.com>

Auto manuals search

<http://auto.somanuals.com>

TV manuals search

<http://tv.somanuals.com>