

2005 SUBARU LEGACY



A FUSION OF PERFORMANCE, DESIGN AND INTELLIGENCE.

Beware the beaten path. It is the path of followers, not leaders. Of tourists, not explorers. It is the road traveled by those more trusting of convention than invention. And it is not the path of Subaru. Because for over three decades we have blazed our own trail, building the kind of cars people depend on every day. Capable cars. Rational cars. Intelligent cars. We introduced America to the beauty of All-Wheel Drive. We proved ourselves on rally courses around the world, but our journey never truly ends, it merely evolves. As do we, with cars that offer more than mere capability. Much more. They are stylish. Powerful. Exhilarating. They ignite passion. In this way, we constantly push the boundaries. Continually redefining what a Subaru can be.

You could call it an evolution. You could

call it a revolution. We simply call it the

all-new, totally redesigned 2005 Subaru

Legacy. As either a powerfully refined

sedan or an exceptionally versatile

wagon, it offers a world-class driving

experience that's best defined by the

emotions it evokes. The Legacy is

exhilarating, powered by an available

AND EMOTION.

250-hp intercooled and turbocharged

horizontally opposed Subaru Boxer engine

with Symmetrical All-Wheel Drive. It is

luxurious, delighting the senses with

a sleek new exterior and a redesigned,

amenity-rich interior. And it is capable,

as only a Subaru can be. All resulting

in a level of driving pleasure that could

leave you at a loss for words altogether.

THE 2005 LEGACY



LEGACY 2.5 GT. WITH THE TURN OF A KEY, EVERYTHING YOU KNEW ABOUT THE SUBARU LEGACY BECOMES IRRELEVANT. BECAUSE THE ALL-NEW LEGACY 2.5 GT



IS THE MOST POWERFUL, MOST LUXURIOUS LEGACY WE'VE EVER BUILT. JUST SLIP INTO ITS ELEGANT, DRIVER-FOCUSED INTERIOR, AND FEEL YOUR HEART BEGIN TO POUND AS THE INTERCOOLED AND TURBOCHARGED

250-HP SUBARU BOXER ENGINE CATAPULTS YOU FROM 0 TO 60 IN A SCENERY-BLURRING 5.8 SECONDS.¹ THE DAILY COMMUTE WILL NEVER BE THE SAME.



Legacy 2.5 GT Limited Wagon shown in Brilliant Silver Metallic

17" alloy wheels

SUBARU, 2004 | **The Legacy is named Japan's 2003-2004 Car of the Year.**

Dual outlet exhaust

Integrated rear spoiler¹

Mirrors with integrated
turn signals

Projector beam
fog lights

WHEN SUBARU ENGINEERS DESIGNED the 2005 Legacy 2.5 GT and 2.5 GT Limited Sedans and Wagons, they had a single goal in mind. To deliver a world-class driving experience that would exhilarate even the most dedicated of enthusiasts. So inside, they created a driver-focused environment rich with thoughtful features. Like a dashboard with eye-catching



electroluminescent gauges. An array of intelligently placed controls, all conveniently located within easy reach. A performance-minded MOMO brand steering wheel with a sports car-like feel. And for effortless grand touring, an optional 5-speed automatic transmission with our advanced SPORTSHIFT manual control that delivers incredibly smooth and direct shifts.

Power moonroof²

Heated front seats

Leather-trimmed upholstery²

Dual-zone climate control

6-disc CD changer

¹ Wagon models only. ² 2.5 GT Limited models only.



16" alloy wheels

SUBARU, 1974

The Subaru 4WD Wagon is introduced, the first mass-market four-wheel drive passenger car in the U.S.

Dual outlet exhaust

Integrated rear spoiler¹

Heated side mirrors²

Windshield wipers de-icer²

LEGACY 2.5i. COMPROMISE IS SIMPLY NOT IN OUR VOCABULARY. CASE IN POINT, THE 2005 LEGACY 2.5i AND 2.5i LIMITED SEDANS AND WAGONS. OFFERING A UNIQUE BLEND OF UTILITY, VALUE, AND PERFORMANCE, THEY REDEFINE EXPECTATIONS IN EVERY WAY.



1 Proving that functionality and luxury go hand in hand, the spacious interior of the Legacy 2.5i models comes standard with rich Tweed Flat Woven cloth. What's more, 2.5i Wagon models provide up to 66.2 cubic feet of cargo space. Room enough for all your gear.

2 A well-organized dashboard offers crisp, clean gauges and logically placed controls, allowing drivers to focus attention where it matters most: on the road.

As intelligently designed as it is finely crafted, the Legacy 2.5i offers a wealth of conveniences, inside and out. Such amenities include a standard security system with remote keyless entry. A center console featuring a concealed 12-volt outlet. Plus a luxurious dual-zone automatic climate control system with separate temperature controls for both driver and front passenger²

Heated power front seats²

Security system

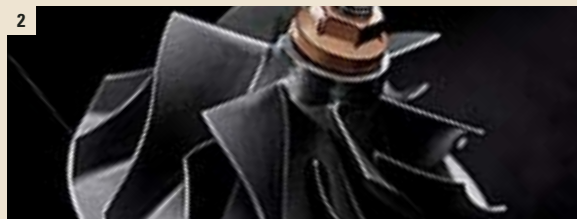
Leather-trimmed upholstery²

Trip computer

Under-floor storage tray¹

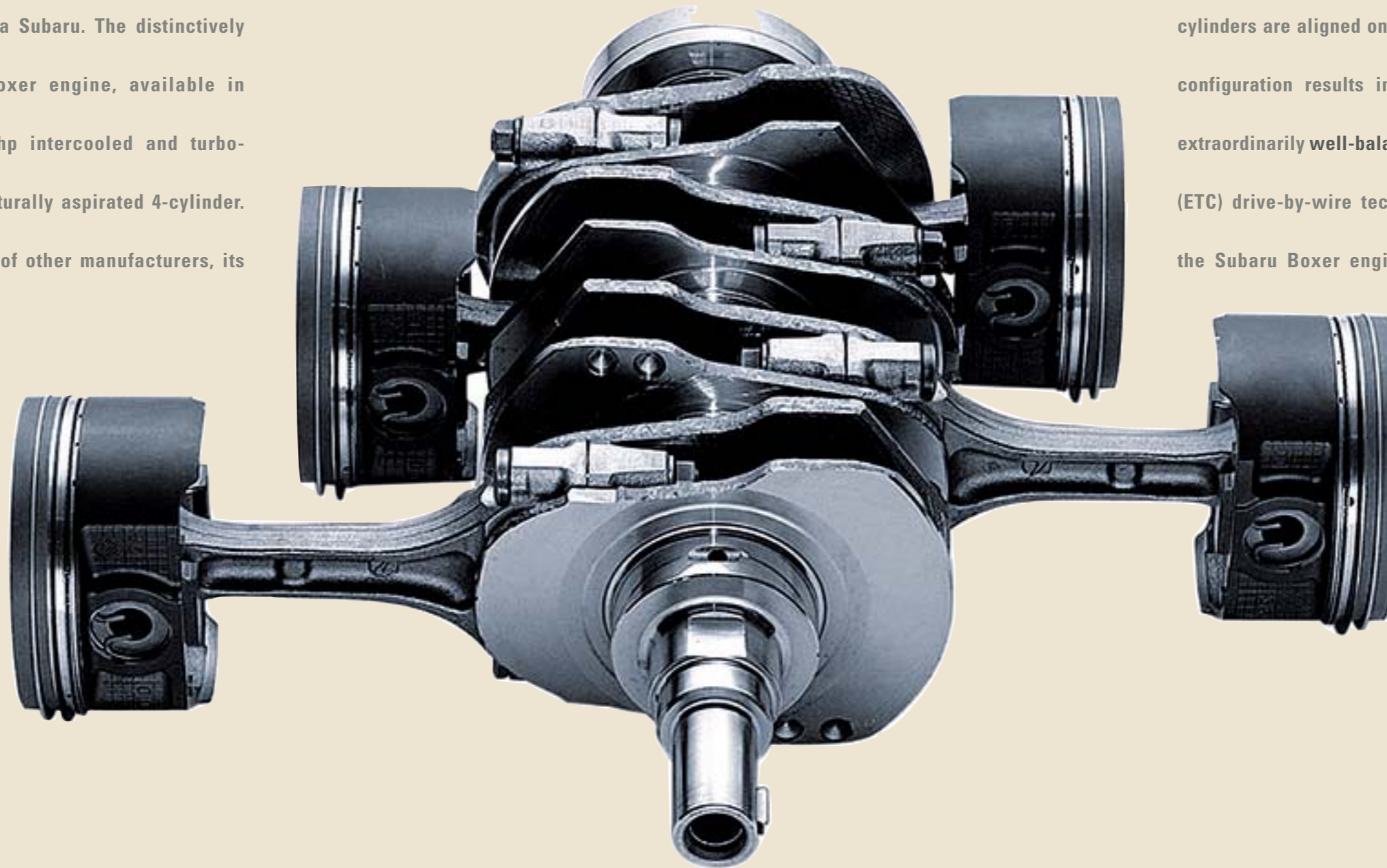
¹ Wagon models only. ² 2.5i Limited models only.

WHAT YOU SEE BEFORE YOU is the heart of a Subaru. The distinctively innovative, horizontally opposed Subaru Boxer engine, available in Legacy vehicles as either a powerful 250-hp intercooled and turbocharged 4-cylinder or an energetic 168-hp¹ naturally aspirated 4-cylinder. Unlike the more conventional engine layouts of other manufacturers, its

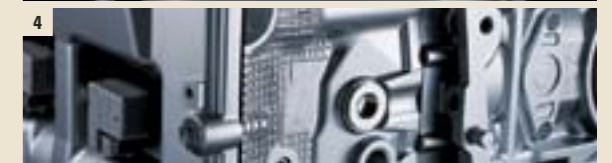


1 Our Active Valve Control System (AVCS) found in Legacy 2.5 GT models helps to deliver increased low-end power while allowing for greater breathing at higher engine speeds.

2 Turbocharging the Subaru Boxer engine featured in the Legacy 2.5 GT and 2.5 GT Limited allows the benefit of increased horsepower and torque without having to increase engine size or displacement.



cylinders are aligned on a single, horizontal plane. This remarkably efficient configuration results in a powerplant that is compact, lightweight and extraordinarily well-balanced. Now equipped with Electronic Throttle-Control (ETC) drive-by-wire technology for more accurate and precise response, the Subaru Boxer engine delivers outstanding power and performance.



3 The Subaru Boxer engine's layout allows it to be placed lower in the chassis, reducing vehicle center-of-gravity for well-balanced handling.

4 Aluminum-alloy block and cylinder heads help to reduce weight, thereby improving overall vehicle balance without sacrificing strength or durability.

Legacy Engines	
2.5-liter Turbocharged 4-cylinder	250 hp, 250 lb.-ft. of torque
2.5-liter 4-cylinder	168 hp, ¹ 166 lb.-ft. of torque



FOR OVER 30 YEARS, the Subaru name has been synonymous with All-Wheel Drive (AWD).

It is our heritage, our passion, and an integral, essential part of the Subaru experience. So it should come as no surprise that every vehicle we build comes equipped with our advanced Symmetrical All-Wheel Drive.

This is quite unlike some of the less sophisticated front-wheel-drive-based systems of other manufacturers. What's more, because every vehicle and driving style has its own specific All-Wheel Drive requirements, Subaru engineers have thoughtfully developed three unique systems, each with their own

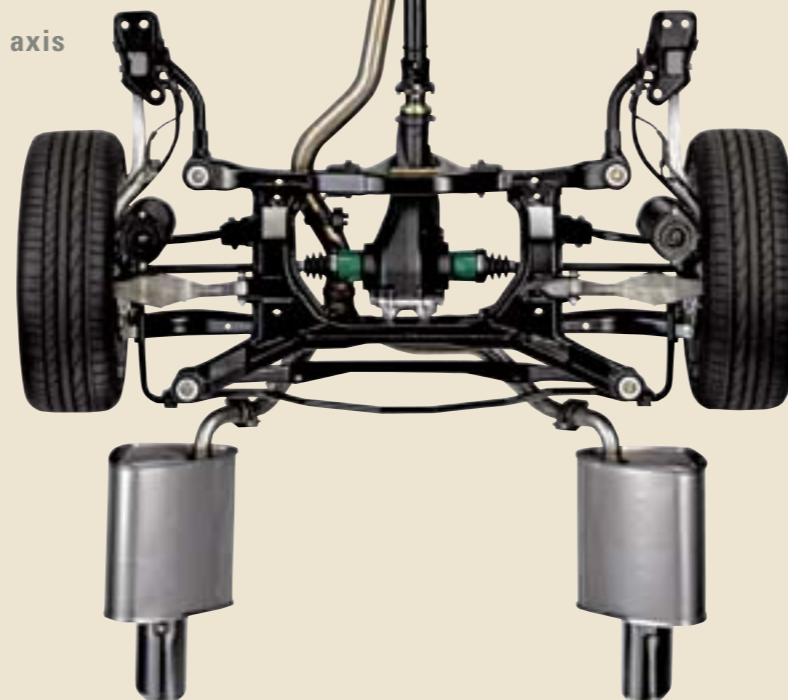
- 1** Our 5-speed manual transmission has been redesigned for improved shift feel and is standard equipment on all Legacy models. In addition, Legacy 2.5 GT models feature a reinforced 5-speed manual transmission with a dual-mass flywheel clutch for even smoother, more direct shifts.
- 2** Optional for the Legacy 2.5 GT and 2.5 GT Limited, our new and remarkably smooth-shifting 5-speed automatic transmission with SPORTSHIFT manual control features an adaptive capability that chooses the optimum gear based on driving situations.
- 3** Most Legacy All-Wheel Drive systems use either a viscous-type or planetary-type center differential which manages torque distribution based on where traction is needed most.



4 A sophisticated, reengineered multi-link rear suspension features newly revised geometry. It's designed to offer greater resistance to roll when cornering, and helps resist squatting during hard acceleration.

Legacy Models	AWD System	How It Works
2.5i and 2.5 GT models with 5-speed manual	Continuous	Utilizing a viscous-type center locking differential, under normal conditions power is split 50/50 between the front and rear wheels. If wheel slippage occurs, the center differential helps transfer power to the wheels with the best traction.
2.5i models with 4-speed automatic	Active	Featuring an electronically managed continuously variable multi-plate transfer clutch, this AWD system monitors parameters such as wheel slippage and vehicle speed, transferring power to the front or rear wheels with the best traction.
2.5 GT models with 5-speed automatic	VTD	Variable Torque Distribution (VTD) uses an electronically controlled hydraulic transfer clutch in conjunction with a planetary gear-type center differential to control power distribution between the front and rear wheels. Under normal driving conditions, the VTD system splits power 45% front and 55% rear, to deliver more of a performance driving feel.

Uniquely innovative, it features drivetrain components positioned along a longitudinal axis and between the vehicle axles for optimum balance and control. In turn, power is constantly delivered to all four wheels and automatically distributed where traction is needed most.



distinct advantages and capabilities. When integrated with our Subaru Boxer engine and complemented by our 4-wheel fully independent suspension, these advanced All-Wheel Drive systems deliver a level of performance, agility and handling that could only come from Subaru.

NO MATTER HOW SOPHISTICATED, TECHNOLOGIES ARE BUT A MEANS TO AN END. AN END WHICH CAN ONLY BE REALIZED HERE, ON THE OPEN ROAD. FOR IT IS HERE, UNDER REAL-WORLD CONDITIONS, THAT ENGINEERING BECOMES EXHILARATION. CAPABILITY INSPIRES NEW LEVELS OF CONFIDENCE. AND THE ACT OF DRIVING IS TRANSFORMED INTO A SENSE OF EUPHORIA THAT RATIONAL THOUGHT SIMPLY CANNOT EXPLAIN. THIS IS THE SUBARU EXPERIENCE.



BENEATH THE SKIN, the Subaru Boxer engine and Symmetrical AWD integrate seamlessly to deliver exceptional performance in virtually every environment. They are in turn complemented by precise, engine-speed-sensing rack-and-pinion



1 A redesigned front suspension and a multi-link rear suspension are engineered to provide enhanced handling and excellent maneuverability, down even the most winding of roads.
2 Steering is now even quicker, more responsive, and more precise than before, thanks to a redesigned rack-and-pinion steering system with a decreased steering ratio.

steering, an incredibly rigid yet lightweight body structure, and an advanced 4-wheel independent suspension. These components all work together in unison to provide dynamic, balanced handling across a wide variety of driving conditions.



Symmetrical AWD

SUBARU, 2004

For every model tested, Subaru receives the highest rating in frontal offset crash test results from the Insurance Institute for Highway Safety (IIHS)!

Seatbelt pre-tensioners and force limiters

Collapsible steering column

Safety brake pedal

Side-impact door beams

THE SUBARU DRIVING EXPERIENCE EVOKES MANY EMOTIONS. Confidence should always be one of them. Which is why every Subaru is engineered according to the principles of "Active Driving/Active Safety." Proactive safety components such as full-time Symmetrical AWD and 4-wheel anti-lock disc brakes (ABS) with Electronic Brake-force Distribution (EBD) provide



the driver with outstanding vehicle control during evasive maneuvering. And when the unexpected becomes the unavoidable, a cocoon of passive safety features, including a Ring-Shaped Reinforcement Frame with enhanced side-impact protection, front and rear crumple zones, side curtain air bags and more, work together to help keep all occupants safe and sound.

Dual-stage front air bags (SRS)²

Side curtain air bags (SRS)²

Front side-impact air bags (SRS)²

Daytime Running Lights (DRL)

LATCH system³

¹ For more information, contact the Insurance Institute for Highway Safety or visit their Web site at www.iihs.org.

² Always wear seatbelts. Children should be properly restrained in the rear seat. ³ LATCH system: Lower Anchors and Tethers for Children.

BECAUSE EVERYONE'S IDEA OF A PERFECT DRIVING EXPERIENCE IS UNIQUE, a wide variety of Genuine Subaru Accessories are available to make your Legacy as distinctive as you are. Crafted with the same quality, durability, fit and finish as the vehicle itself, these specially designed accessories offer a means to accentuate every aspect of your Legacy with personalized style,



1 Fork-mounted Bike Carrier and Front-wheel Holder: Securely holds one bike with locking 9 millimeter stainless-steel skewer and rear-wheel hold-down strap. Front-wheel holder sold separately.¹

2 Bike Attachment: Securely transports one bicycle and accommodates 1" to 3" downtubes.¹

3 Square Cross Bar Set: May be used in conjunction with roof cargo carriers, baskets, and ski, bike and kayak attachments.

4 Ski Attachment: Holds up to six pairs of skis or four pairs of skis and poles. May be used to carry snowboards or fishing rods.¹

5 Kayak Carrier: Attaches quickly and easily to cross bars. Carries two kayaks.¹

6 Heavy-duty Roof Cargo Basket: Mounts to cross bars and accommodates up to 100 pounds of cargo capacity. Includes mounting hardware, black cargo net with hooks and a custom fairing to help deflect wind and noise!¹

Rear differential protector

Cargo net (rear)

Air filtration system

Wheel locks

Engine-block heater

functionality and luxury. Moreover, you can accessorize with confidence as all Genuine Subaru Accessories are backed by our basic vehicle 3-year/36,000-mile warranty when installed at the time of vehicle purchase. For complete warranty details, or to learn more about the full range of available Legacy accessories, see your Subaru dealer or visit www.subaru.com.

1 Roof Cargo Carrier: Provides 11 cubic feet and up to 100 pounds of lockable storage capacity.¹

2 Hood Protector: Acrylic plastic and wrap-around design help protect hood from stone chips and bugs.

3 Moonroof Air Deflector (Sedan): Helps reduce wind noise and cut sun glare.

4 Rear Spoiler (Sedan): Color-matched rear deck spoiler with integrated brake light.

5 Fog Lamp Kit: Helps enhance vision at night or in inclement weather.

6 Rocker Panel Trim: Replaces stock rocker panel cover with a stylish stainless-steel accent.



Battery warmer

Car cover
(sedan and wagon)

Front-end cover
(full and hood)

Security system
perimeter alarm

¹Roof attachments require the use of optional cross bar kits.

1 MOMO Shift Knob: Satin-machined aluminum shift knob with perforated leather accents lends a stylish look of performance to 2.5 GT models. Available for 5-speed manual or automatic transmission.

2 STI Pedal Pad Set: Brushed stainless steel with cherry-red rubber grips, embossed with the STI logo. For 2.5 GT models with manual transmission.

3 STI Pedal Pad Set: Brushed stainless steel with cherry-red rubber grips, embossed with the STI logo. For 2.5 GT models with automatic transmission.

4 Auto-dimming Mirror Compass: Includes electronic compass. Mirror darkens when headlights are detected from rear of vehicle.

5 STI Short-throw Shifter: Significantly reduces shift-throw lengths for crisper shifts and sportier driving.

6 Sub-woofer Amplifier: Delivers rich, deep bass you not only hear but feel.

7 Center Armrest Extension: Raises up and forward for additional comfort when driving.

8 STI Side Sill Plates: Replaces existing sill plates on 2.5 GT models with the performance look of STI.

9 All-weather Mats: Custom-fitted, heavy-gauge protective mats.

10 Cargo Net: Rear of Rear Seat (1) and Sides (2): Helps organize Legacy wagon cargo area.

11 Rear Cargo Tray/Mat: Tough durable mat helps protect wagon cargo area.



2005 SUBARU WARRANTIES, CUSTOMER SERVICE AND SUPPORT

Basic Warranty: 3 years or 36,000 miles, whichever comes first.

Powertrain Warranty: 5 years or 60,000 miles, whichever comes first.

Rust Perforation Warranty: 5 years, unlimited mileage.


Subaru Added Security® could be the most important option you choose. Protect your investment with a Subaru Added Security extended service contract—the only one backed by Subaru of America, Inc. Ask your salesperson for coverage details and assistance in selecting the plan that's best for you, up to 7 years or 100,000 miles.

The Subaru Roadside Assistance Program covers all 2005 Subaru vehicles during the first three years or 36,000 miles, whichever comes first. By calling the toll-free number in the Owner's Information Kit, Subaru owners can take advantage of any of the following benefits:

- **24-hour Roadside Assistance, seven days a week, 365 days a year, throughout the United States.**
- **Emergency Towing Service to the nearest authorized Subaru dealer.**
- **Emergency Roadside Assistance, for jump starts, gasoline (up to two gallons), flat tire change, emergency lockout service (lost key or key is locked in the vehicle) and emergency fluid replacement.**

See your Subaru dealer for details.

For complete warranty information, including coverage and exclusions, see your Subaru dealer.

SUBARU.COM YOU CAN BEGIN YOUR SUBARU EXPERIENCE RIGHT NOW, IN YOUR VERY OWN LIVING ROOM. GO TO **SUBARU.COM**, WHERE YOU'LL DISCOVER AN ONLINE ENVIRONMENT RICH WITH IN-DEPTH INFORMATION, REVIEWS, SPECIFICATIONS AND PHOTOGRAPHS ENCOMPASSING THE FULL LINE OF SUBARU VEHICLES. HERE YOU CAN TAKE A 360° TOUR OF ANY MODEL, BUILD YOUR OWN SUBARU, LOCATE VEHICLES, EVEN SCHEDULE A TEST DRIVE. AND AT **MY.SUBARU.COM**, SUBARU OWNERS CAN ACCESS THEIR VEHICLE'S SERVICE AND WARRANTY HISTORY, SCHEDULE APPOINTMENTS AND MUCH MORE. IT'S ALL QUICK, EASY AND JUST A MOUSE-CLICK AWAY. 

PAINT COLORS



Atlantic Blue Pearl



Brilliant Silver Metallic



Garnet Red Pearl



Obsidian Black Pearl

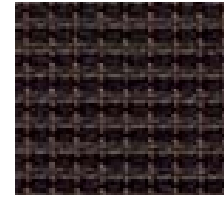


Regal Blue Pearl



Satin White Pearl

UPHOLSTERY



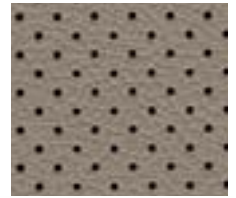
Tweed Flat Woven Cloth



Charcoal Leather



Charcoal Perforated Leather



Taupe Perforated Leather

COLOR COMBINATIONS

Legacy Models

		<i>Atlantic Blue Pearl</i>	<i>Brilliant Silver Metallic</i>	<i>Garnet Red Pearl</i>	<i>Obsidian Black Pearl</i>	<i>Regal Blue Pearl</i>	<i>Satin White Pearl</i>
2.5i Sedan and Wagon	Tweed Flat Woven Cloth ¹	■	■	—	■	■	■
2.5i Limited Sedan and Wagon	Charcoal Leather ¹	■	■	—	■	■	■
2.5 GT Sedan and Wagon	Tweed Flat Woven Cloth ¹	■	■	■	■	■	■
2.5 GT Limited Sedan and Wagon	Charcoal Perforated Leather ¹	■	■	■	■	■	■
	Taupe Perforated Leather ²	■	—	■	■	■	■

■ Standard — Not Available

¹Titanium Metallic interior trim.

²Titanium Metallic interior trim with woodgrain-patterned accents.

SPECIFICATIONS

Legacy 2.5i
Sedan and Wagon

Legacy 2.5i Limited
Sedan and Wagon

Legacy 2.5 GT
Sedan and Wagon

Legacy 2.5 GT Limited
Sedan and Wagon

ENGINE AND DRIVETRAIN

Engine	2.5-liter SOHC aluminum-alloy 16-valve horizontally opposed 4-cylinder Subaru Boxer engine. Platinum-tipped spark plugs.	2.5-liter DOHC intercooled, turbocharged aluminum-alloy 16-valve 4-cylinder horizontally opposed Subaru Boxer engine with Active Valve Control System (AVCS). Iridium spark plugs.
Power	168 hp @ 5,600 rpm ¹	250 hp @ 6,000 rpm
Torque	166 lb.-ft. @ 4,000 rpm	250 lb.-ft. @ 3,600 rpm
Compression ratio	10.0:1	8.2:1
Bore and stroke	99.5 x 79 mm	99.5 x 79 mm
Intake system	Aluminum-alloy intake manifold.	Composite-resin intake manifold. Crossflow turbocharger with air-to-air intercooler. Maximum boost pressure: 13.5 psi.
Fuel and ignition system	Sequential multi-port fuel injection. Electronic Throttle Control (ETC). Engine management with integrated self-diagnostics and adaptive driving habits capability. Distributorless electronic ignition – 2.5i and 2.5i Limited. Direct ignition – 2.5 GT and 2.5 GT Limited.	
Manual transmission	Standard fully synchronized 5-speed manual with clutch pedal-controlled starter interlock.	Standard fully synchronized reinforced 5-speed manual with dual-mass flywheel and clutch pedal-controlled starter interlock.
Automatic transmission	Optional 4-speed adaptive electronic direct-control automatic with SPORTSHIFT manual control.	Optional 5-speed adaptive electronic direct-control automatic with SPORTSHIFT manual control. Steering wheel-mounted SPORTSHIFT buttons.
Fuel economy (city/highway)	Manual: 23/30 mpg, Automatic: 22/30 mpg	Manual: 19/25 mpg, Automatic: 19/25 mpg

SYMMETRICAL ALL-WHEEL DRIVE

Continuous All-Wheel Drive	Models equipped with 5-speed manual transmission utilize a viscous-type locking center differential with torque distribution configured at a 50/50-split front-to-rear. 2.5 GT models also feature a viscous-type limited-slip rear differential.	
Active All-Wheel Drive	Models equipped with 4-speed automatic transmission utilize an electronically controlled variable transfer clutch to distribute power to where traction is needed. Sensors monitor parameters such as wheel slippage, throttle position and braking to help determine torque distribution to the wheels with optimum traction.	
Variable Torque Distribution (VTD) All-Wheel Drive	Models equipped with 5-speed automatic transmission utilize an electronically controlled variable transfer clutch in conjunction with a planetary-type center differential. Rear-wheel-biased torque distribution normally configured at 45/55-split front-to-rear. 2.5 GT models also feature a viscous-type limited-slip rear differential.	

CHASSIS

Steering	Engine-speed-sensing variable power-assisted rack-and-pinion. Turns lock-to-lock: 3.2. Turning circle: 35.4 ft.	Engine-speed-sensing variable power-assisted rack-and-pinion. Turns lock-to-lock: 2.8. Turning circle: 35.4 ft.
Suspension	4-wheel independent suspension. Front: Strut type with lower L-arm. Antidive geometry. Rear: Multi-link with antilift and antisquat geometry. Front and rear stabilizer bars.	
Brakes	4-wheel disc, ventilated front.	4-wheel disc, ventilated front and rear.
Brake discs (in.)	4-channel, 4-sensor ABS with Electronic Brake-force Distribution (EBD). 10.8 front/10.6 rear	4-channel, 4-sensor ABS with Electronic Brake Force Distribution (EBD). 11.5 front/10.6 rear
		12.3 front/11.3 rear

WHEELS AND TIRES

Wheels	16 x 6.5-inch 5-spoke aluminum-alloy. Silver finish.	17 x 7.0-inch 5-spoke aluminum-alloy. Silver finish.
Tires	205/55 R16 89H performance all-season	215/45 ZR17 high-performance all-season

DIMENSIONS

	Sedans				Wagons			
Length	186.2 in.				188.7 in.			
Height	56.1 in.				58.1 in. (includes roof rails)			
Width	68.1 in.				68.1 in.			
Wheelbase	105.1 in.				105.1 in.			
Track (front/rear)	58.9 in./58.5 in.				58.9 in./58.5 in.			
Curb weight (manual/automatic)	2.5i Sedan: 3,200 lbs./3,245 lbs.	2.5i Limited Sedan: 3,265 lbs./3,310 lbs.	2.5 GT Sedan: 3,300 lbs./3,365 lbs.	2.5 GT Limited Sedan: 3,365 lbs./3,435 lbs.	2.5i Wagon: 3,255 lbs./3,300 lbs.	2.5i Limited Wagon: 3,335 lbs./3,380 lbs.	2.5 GT Wagon: 3,355 lbs./3,420 lbs.	2.5 GT Limited Wagon: 3,435 lbs./3,500 lbs.
Coefficient of drag (cd)	0.29				0.31			
Headroom (front/rear) with moonroof	37.5 in./36.5 in.				38.7 in./37.1 in.			
Headroom (front/rear) without moonroof	39.5 in./36.5 in.				40.5 in./39.1 in.			
Legroom (front/rear)	44.1 in./33.9 in.				44.1 in./33.9 in.			
Shoulder room (front/rear)	54.4 in./53.7 in.				54.4 in./53.7 in.			
Cabin capacity	93.1 cu. ft.				97.4 cu. ft.			
Cargo capacity with moonroof	11.4 cu. ft.				32.1 cu. ft. / 61.7 cu. ft. (with rear seat lowered)			
Cargo capacity without moonroof	11.4 cu. ft.				33.5 cu. ft. / 66.2 cu. ft. (with rear seat lowered)			

EQUIPMENT

EXTERIOR

	Legacy 2.5i Sedan	Legacy 2.5i Wagon	Legacy 2.5i Limited Sedan	Legacy 2.5i Limited Wagon	Legacy 2.5 GT Sedan	Legacy 2.5 GT Wagon	Legacy 2.5 GT Limited Sedan	Legacy 2.5 GT Limited Wagon
Projector beam low-beam and multi-reflector high-beam headlights	■	■	■	■	■	■	■	■
Projector beam fog lights	□ ²	□ ²	■	■	■	■	■	■
Aluminum-alloy hood	■	■	■	■	—	—	—	—
Aluminum-alloy hood with functional scoop (feeds turbocharger intercooler)	—	—	—	—	■	■	■	■
Front bumper with lower air intake and integrated front spoiler	■	■	■	■	■	■	■	■
Body color door handles and side mirrors	■	■	■	■	■	■	■	■
Body color side mirrors with integrated turn signals	—	—	—	—	■	■	■	■
Heated side mirrors and windshield wipers de-icer	—	—	■	■	■	■	■	■
Two-speed windshield wipers with variable intermittent mode	■	■	■	■	■	■	■	■
Single-speed rear window wiper with fixed intermittent mode and de-icer; when front wipers are on, selecting reverse gear (with automatic transmission) activates rear wiper	—	■	—	■	—	■	—	■
Aerodynamic side ground effects	■	■	■	■	■	■	■	■
Aluminum-alloy tailgate with integrated rear spoiler	—	■	—	■	—	■	—	■
Dual chrome exhaust outlets	■	■	■	■	■	■	■	■
Black-finish low-profile roof rails	—	■	—	■	—	■	—	■
Power tilt/sliding glass moonroof	—	—	■	—	—	—	■	—
Panoramic tilt/sliding dual-panel moonroof	—	—	—	■	—	—	—	■

SEATING AND TRIM

6-way manually adjustable driver's seat with manually adjustable lumbar support; 4-way manually adjustable front passenger seat	■	■	—	—	■	■	—	—
8-way power driver's seat with manually adjustable lumbar support; 4-way manually adjustable front passenger seat	—	—	■	■	—	—	—	—
8-way power driver's seat and 4-way power front passenger seat, both with manually adjustable lumbar support	—	—	—	—	—	—	■	■
4-stage heated front seats	—	—	■	■	■	■	■	■
Performance-design front seats	—	—	—	—	■	■	■	■
Rear-center armrest with trunk pass-through	■	—	■	—	■	—	■	—
60/40-split flat-folding rear seatback	—	■	—	■	—	■	—	■
3-spoke steering wheel with manually adjustable tilt column	■	■	■	■	—	—	—	—
3-spoke MOMO brand steering wheel with manually adjustable tilt column	—	—	—	—	■	■	■	■
Cloth upholstery	■	■	—	—	■	■	—	—
Leather-trimmed upholstery	—	—	■	■	—	—	—	—
Perforated leather-trimmed upholstery	—	—	—	—	—	—	■	■
Perforated leather-wrapped steering wheel and shifter handle	—	—	■	■	■	■	■	■
Titanium metallic trim on doors, console and automatic shifter handle ³	■	■	■	■	■	■	■	■
Titanium metallic trim with woodgrain-patterned accents on doors, console and automatic shifter handle ⁴	—	—	—	—	—	—	■	■
Carpeted floor mats	■	■	■	■	■	■	■	■

CONVENIENCE FEATURES

Power front and rear windows with driver's auto-down	■	■	■	■	■	■	■	■
Electronically controlled cruise control	■	■	■	■	■	■	■	■
Dual cup holders in center console with retractable lid; retractable dual rear cup holders	■	■	■	■	■	■	■	■
Sun visors with extenders and illuminated vanity mirrors	■	■	■	■	■	■	■	■
Illuminated glovebox and in-dash storage compartment	■	■	■	■	■	■	■	■
Center console with armrest and enclosed storage compartment	■	■	■	■	■	■	■	■
12-volt power outlet in center console storage compartment	■	■	■	■	■	■	■	■
Trunk/cargo area concealed under-floor storage tray; concealed storage compartments in wagons' cargo area side panels; dual grocery bag hooks	■	■	■	■	■	■	■	■
Retractable/removable cargo area cover; 4 tie-down hooks	—	■	—	■	—	■	—	■

■ Standard □ Optional — Not available

INSTRUMENTATION

	Legacy 2.5i Sedan	Legacy 2.5i Wagon	Legacy 2.5i Limited Sedan	Legacy 2.5i Limited Wagon	Legacy 2.5 GT Sedan	Legacy 2.5 GT Wagon	Legacy 2.5 GT Limited Sedan	Legacy 2.5 GT Limited Wagon
Analog speedometer, tachometer, coolant temperature and fuel gauges with illuminated red needles on black faces and white indicators	■	■	■	■	■	■	■	■
Sport-design electroluminescent lighting	—	—	—	—	■	■	■	■
Gauge needles full sweep on start up	■	■	■	■	■	■	■	■
Digital odometer and automatic transmission (when equipped) shift-position indicator	■	■	■	■	■	■	■	■
Digital trip computer displaying fuel economy, driving range, digital clock and ambient temperature	■	■	■	■	■	■	■	■

AUDIO SYSTEMS

6-speaker audio system with single-disc in-dash CD player	■	■	—	—	—	—	—	—
6-speaker audio system with 6-disc in-dash CD player	—	—	■	■	■	■	■	■

CLIMATE CONTROL

Manually adjustable CFC-free air conditioning system with rotary controls for temperature, 4-speed fan and airflow direction	■	■	—	—	—	—	—	—
Dual-zone automatic digital climate control system with controls for temperature, 6-speed fan, airflow direction, automatic mode and CFC-free air conditioning	—	—	■	■	■	■	■	■

SECURITY

Keyless entry system with trunk release (sedan) or cargo area unlock (wagons) and answer-back electronic chirp	■	■	■	■	■	■	■	■
Antitheft security system with answer-back electronic chirp	■	■	■	■	■	—	—	—
Antitheft security system with engine immobilizer and answer-back electronic chirp	—	—	—	—	—	■	■	■

SAFETY

Dual-stage deployment driver and front passenger front air bags (SRS) ¹	■	■	■	■	■	■	■	■
Intelligent air bag system with driver's seat position sensor and front passenger seat occupant detection sensor (SRS) ²	■	■	■	■	■	■	■	■
Side curtain air bags protecting front and rear outboard occupants (SRS) ³	■	■	■	■	■	■	■	■
Seat-mounted front side-impact airbags (SRS) ⁴	■	■	■	■	■	■	■	■
Height-adjustable Active Front Seat Head restraints help reduce the potential for whiplash in certain collisions	■	■	■	■	■	■	■	■
Three individual height adjustable rear head restraints (height adjustable outboard rear head restraints on sedan)	■	■	■	■	■	■	■	■
Height adjustable 3-point front seatbelts with pretensioners and force limiters; 3-point rear seatbelts at all seating positions	■	■	■	■	■	■	■	■
Rear child safety door locks	■	■	■	■	■	■	■	■
Safety brake pedal system	■	■	■	■	■	■	■	■
Energy-absorbing collapsible steering column	■	■	■	■	■	■	■	■
Ring-Shaped Reinforcement Frame body structure with hydroformed center-pillar construction for increased side-impact protection	■	■	■	■	■	■	■	■
Daytime Running Lights (DRL)	■	■	■	■	■	■	■	■

■ Standard □ Optional — Not available

¹Some 2005 Legacy models with the naturally aspirated 2.5 liter engine distributed for sale in California (and in Maine, Massachusetts, New York and Vermont which have adopted California Specification Emission Control Systems and Warranties and are registered for use in those states) will be specially equipped to meet the California Partial Zero Emission Vehicle (PZEV) credited Super-Ultra Low Emission Vehicle (SULEV2) requirements. Horsepower for these models is rated at 163 hp @ 5,600 rpm. The manufacturer's PZEV emission control system warranty coverage is for 15 years or 150,000 miles, whichever comes first. For complete warranty information, including coverage and exclusions, see your Subaru dealer.

²Available as an accessory. See your dealer.

³Standard interior trim with Tweed Flat Woven cloth and Charcoal leather upholstery. See color combinations chart.

⁴Standard interior trim with Taupe Perforated leather upholstery. See color combinations chart.

⁵The Supplemental Restraint System (SRS) (air bags) affords the driver and the front and rear outboard passengers additional protection in moderate to severe frontal and side-impact collisions. This system provides supplemental protection only, and seatbelts must be worn in order to avoid injuries to out-of-position occupants upon bag deployment and to provide the best combined protection in a serious accident. Children should always be properly restrained in the rear seat.

Some images shown are for illustration purposes only. Specifications in this brochure are based on the latest product information available at the time of publication. Some equipment shown in photography in this brochure is optional at extra cost. Specific options may be available only in combination with other options. Specific combinations of equipment or features may vary from time to time and by geographic area. Certain accessories and equipment may not be available at the time of publication. Subaru of America, Inc., reserves the right to change or discontinue at any time, without notice, prices, colors, materials, equipment, accessories, specifications, models and packages without incurring any obligation to make the same or similar changes on vehicles previously sold. Colors shown may vary due to reproduction and printing processes. This brochure was prepared by Subaru of America, Inc. A warranty from Subaru of America, Inc., is available only on cars sold to the first retail purchaser through an authorized Subaru dealer in the continental U.S. or Alaska. Subaru, Subaru Boxer, Legacy, SPORTSHIFT and MOMO are registered trademarks. For more information, contact your Subaru dealer or log on to www.subaru.com.



SUBARU[®]
DRIVEN BY WHAT'S INSIDE.[™]

Free Manuals Download Website

<http://myh66.com>

<http://usermanuals.us>

<http://www.somanuals.com>

<http://www.4manuals.cc>

<http://www.manual-lib.com>

<http://www.404manual.com>

<http://www.luxmanual.com>

<http://aubethermostatmanual.com>

Golf course search by state

<http://golfingnear.com>

Email search by domain

<http://emailbydomain.com>

Auto manuals search

<http://auto.somanuals.com>

TV manuals search

<http://tv.somanuals.com>