



SUBARU

Industrial Power Products

PARTS MANUAL

Models

EX40

ENGINES

PUB-EP6516

Rev. 04/14

Robin America, Inc.

905 Telser Road, Lake Zurich, IL 60047 • Phone: 847-540-7300 • Fax:847-438-5012
e-mail: sales@robinamerica.com • www.subarupower.com

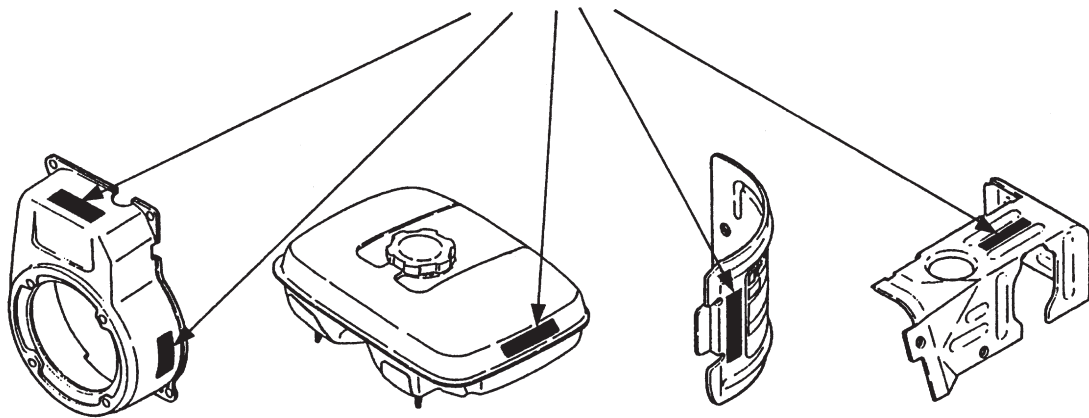
© Copyright 2009 Robin America, Inc.

HOW TO USE THIS MANUAL

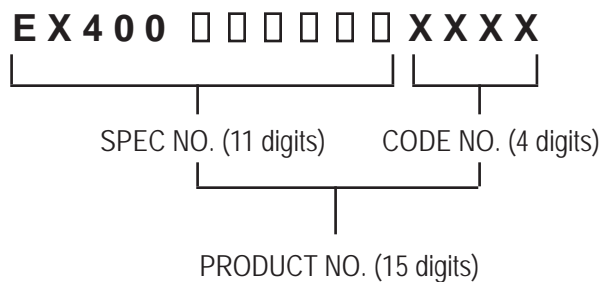
Robin engines are identified by MODEL, SPECIFICATION, and CODE NUMBER. For each model there may be many different versions called specifications. Each specification will be unique in some way. The difference may only be the paint color or it may have a different type of PTO or some other significant difference.

In order to identify the correct service part number, it is important to confirm the specification and code numbers for your engine. The specification and code number together are known as the PRODUCT NUMBER.

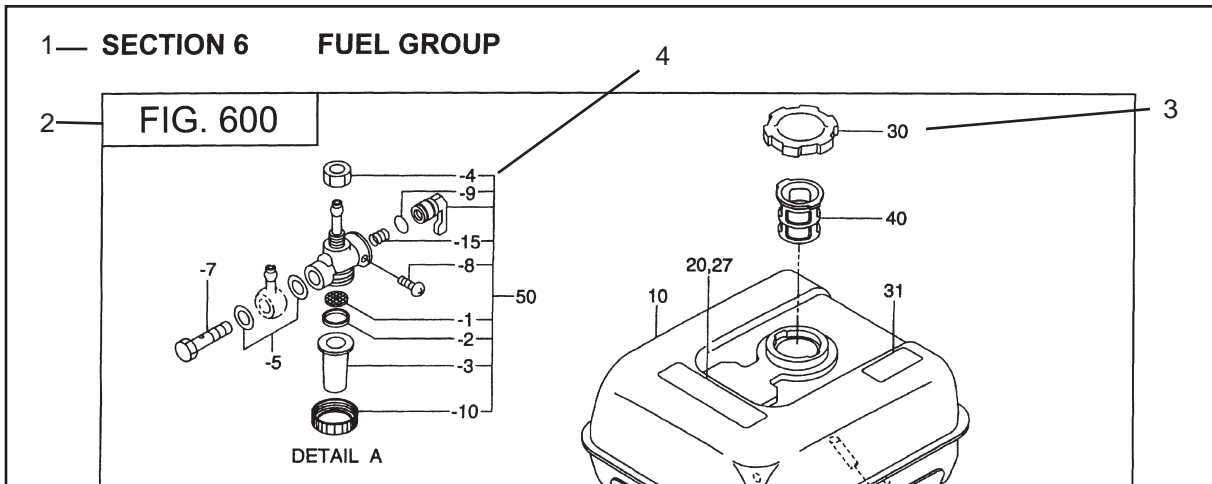
All Robin 4 cycle engines have a Product Number label similar to the label illustrated below.



The Product Number Label has a 15 digit alphanumeric string that consists of the SPECIFICATION (SPEC) number (11 digits) and the CODE number (4 digits). Please note the illustration below:



MANUAL LAYOUT



REF.	PART NO.	DESCRIPTION	QTY.	REMARKS	FROM-TO	FIG.
10	267-60103-01	FUEL TANK CP	1	YD, YS TYPE, BLACK		600
	267-60101-01	FUEL TANK CP	1	YELLOW		600
27	073-20039-00	LABEL, WARNING	1	YD, YS TYPE		600
30	043-04300-15	FUEL TANK CAP CP	1			600
31	267-95201-03	LABEL, EMISSION	1	YD, YS TYPE		600
40	064-13600-10	FUEL FILTER	1			600
50	064-20021-01	FUEL STRAINER AY	1			600
-1	064-20002-20	FILTER	1			600
-2	064-20002-30	GASKET	1			600
-3	064-20019-10	CUP	1			600

1. SECTION NAME Parts are broadly classified according to their functions. Refer to the Group Index (table of contents) for respective section name.
2. FIG. No. The FIG. number indexes the reference and part numbers to the illustration. Figure numbers that vary only in the tens place (i.e.: 700 and 710) are in a group of the same section (i.e.:Electrical Device Group).
3. REF. No . The Reference number identifies the part illustration with the corresponding part number in the part list.
4. SUBASSEMBLY SUBASSEMBLY parts of part assembly are listed below the assembly part. The subassembly part reference number is indicated by the number led by "-" such as "-1", "-2".
5. PART NUMBER It is the number assigned for sales unit. Use the PART No. when making an order.
6. DESCRIPTION It is designation of the part.
7. QTY. Quantity of each part used for each product.
8. REMARKS This gives a distinctive feature and/or a supplementary comment for the type, the specification, and the part concerned. It also shows part number(s) interchangeable for the part.
9. FROM-TO This section shows the CODE No. to indicate the history of progress in which improved parts have been introduced in the product. The FROM-TO CODE No. helps to identify PART No. being employed in the product concerned. See the examples below:
 - The part is used in the product irrespective of CODE No.
 - 2101- The part is used in the products with CODE No. of 2101 and after this number.
 - 2100 The part is used in the products with CODE No. of 2100 and before this number.

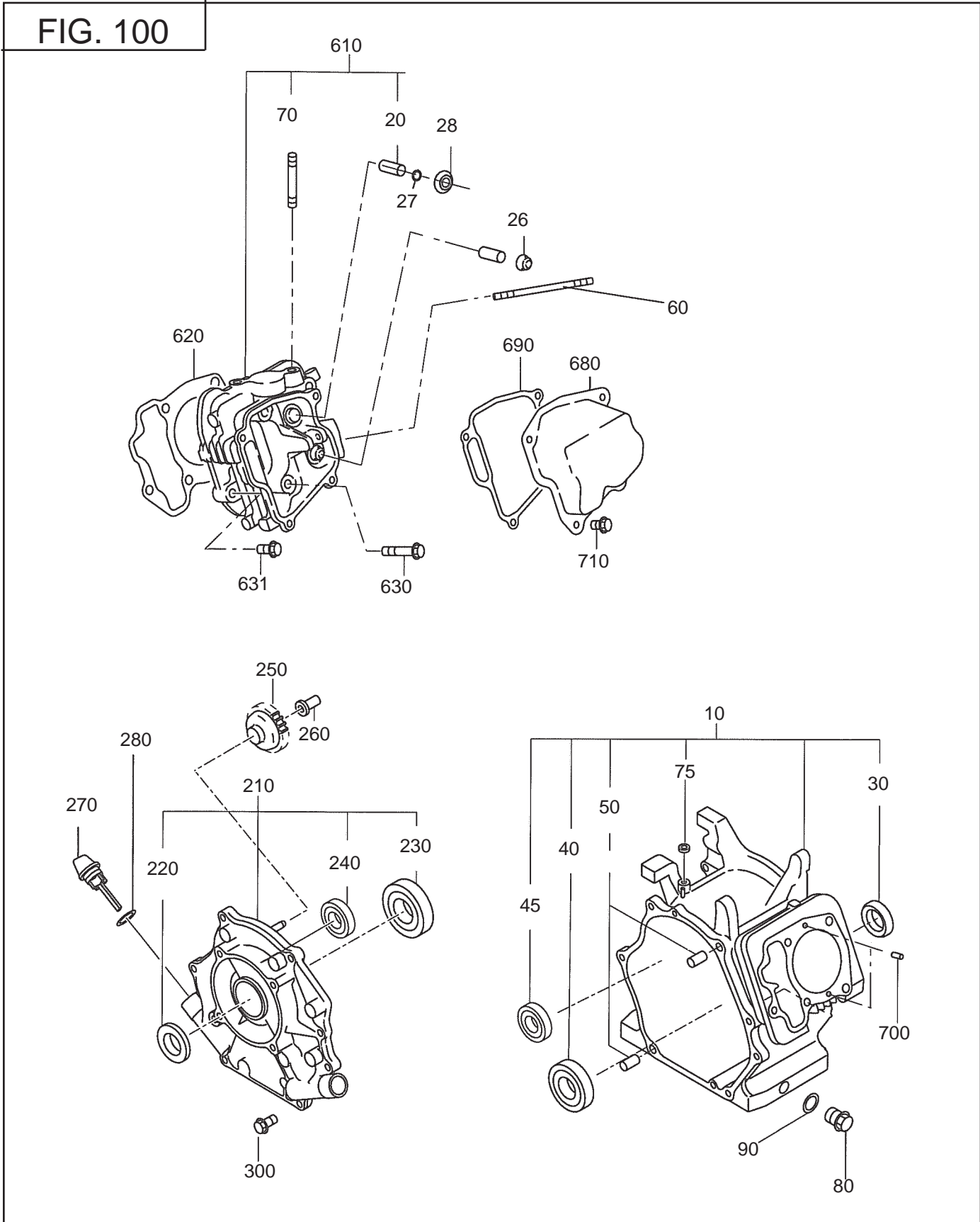
GROUP INDEX

Group Name	Page
CRANKCASE GROUP	6
CRANKSHAFT GROUP	8
INTAKE and EXHAUST GROUP	10
GOVERNOR GROUP	14
COOLING and STARTING GROUP	16
FUEL, LUBRICANT GROUP	18
CARBURETOR GROUP	20
ELECTRIC DEVICE GROUP	22
ACCESSORY GROUP	24

INDEX OF DESCRIPTION SYMBOLS			
SYMBOL	DESCRIPTION	SYMBOL	DESCRIPTION
AY	ASSEMBLY	P=	PITCH (in mm)
CP	COMPLETE	P.T.O. (PTO)	POWER TAKE OFF
EX	EXPORT (from Japan)	REF	REFERENCE
FIG	FIGURE	R.H. (RH)	RIGHT HAND SIDE
FR	FRONT	RR	REAR
"	INCH	STD.	STANDARD
INCL.	INCLUDE	SW	SWITCH
-L	LITER	T=	THICKNESS (in mm)
L=	LENGTH (in. mm)	UN	UNIT
L.H. (LH)	LEFT-HAND SIDE	U.S.	UNDER SIZE
MECH	MECHANICAL	~V	VOLTAGE
NO (NON)	NONE	~W	WATT
OPT	OPTIONAL	W/	WITH
O.S.	OVER SIZE	W/O	WITHOUT

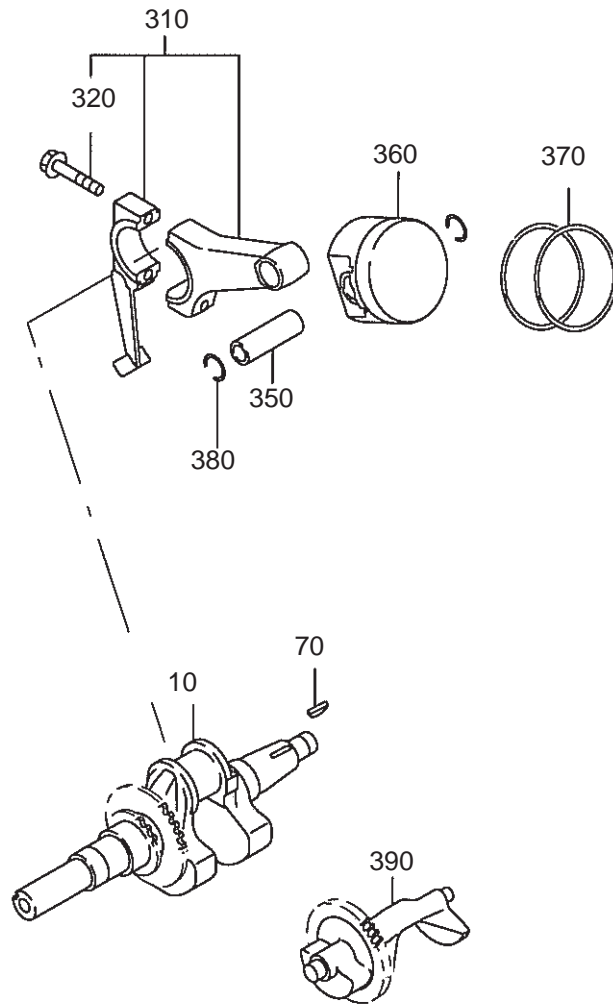
SECTION 1 CRANKCASE GROUP

FIG. 100



SECTION 2 CRANKSHAFT GROUP

FIG. 200

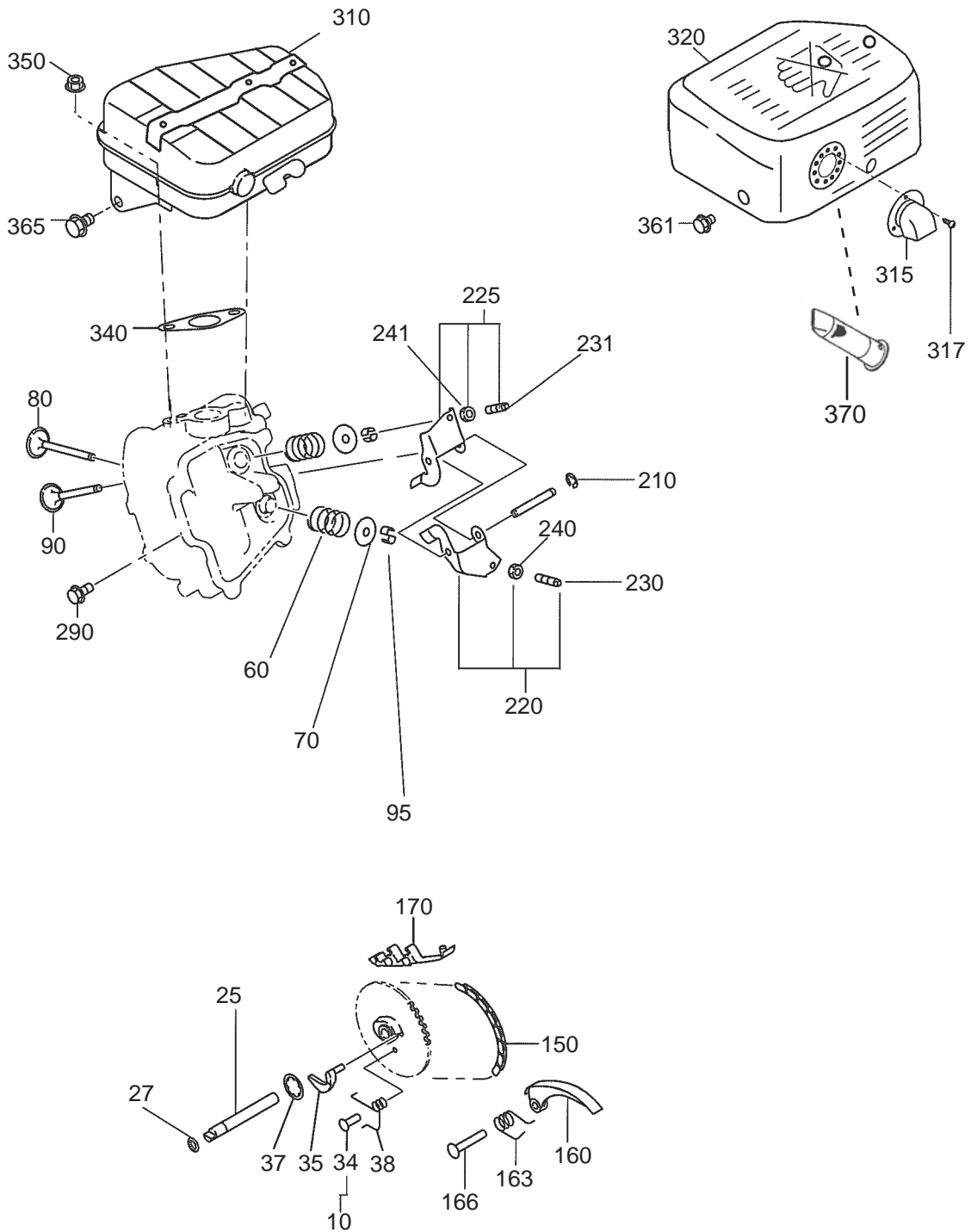


SECTION 2 CRANKSHAFT GROUP

Ref.	Part Number	Description	Qty	Remarks	To-From	Fig.
10	20B-20901-01	Crankshaft Cp	1	1" Key		200
	20B-21201-01	Crankshaft Cp	1	7/8" Taper		200
	20B-21001-01	Crankshaft Cp	1	1" Pump		200
70	005-32054-01	Woodruff Key	1			200
310	20B-22501-00	Connecting Rod Ay	1			200
320	001-05084-00	Connecting Rod Bolt	2			200
350	263-23301-33	Piston Pin	1			200
360	20B-23401-H3	Piston	1	Std		200
360	20B-23403-H3	Piston	1	Oversize 0.25mm		200
360	20B-23404-H3	Piston	1	Oversize 0.50mm		200
370	20B-23501-07	Piston Ring Set	1	Std		200
370	20B-23502-07	Piston Ring Set	1	Oversize 0.25mm		200
370	20B-23503-07	Piston Ring Set	1	Oversize 0.50mm		200
380	056-52100-20	Clip	2			200
390	20B-24101-03	Balancer Shaft	1			200

SECTION 3 INTAKE and EXHAUST GROUP

FIG. 300

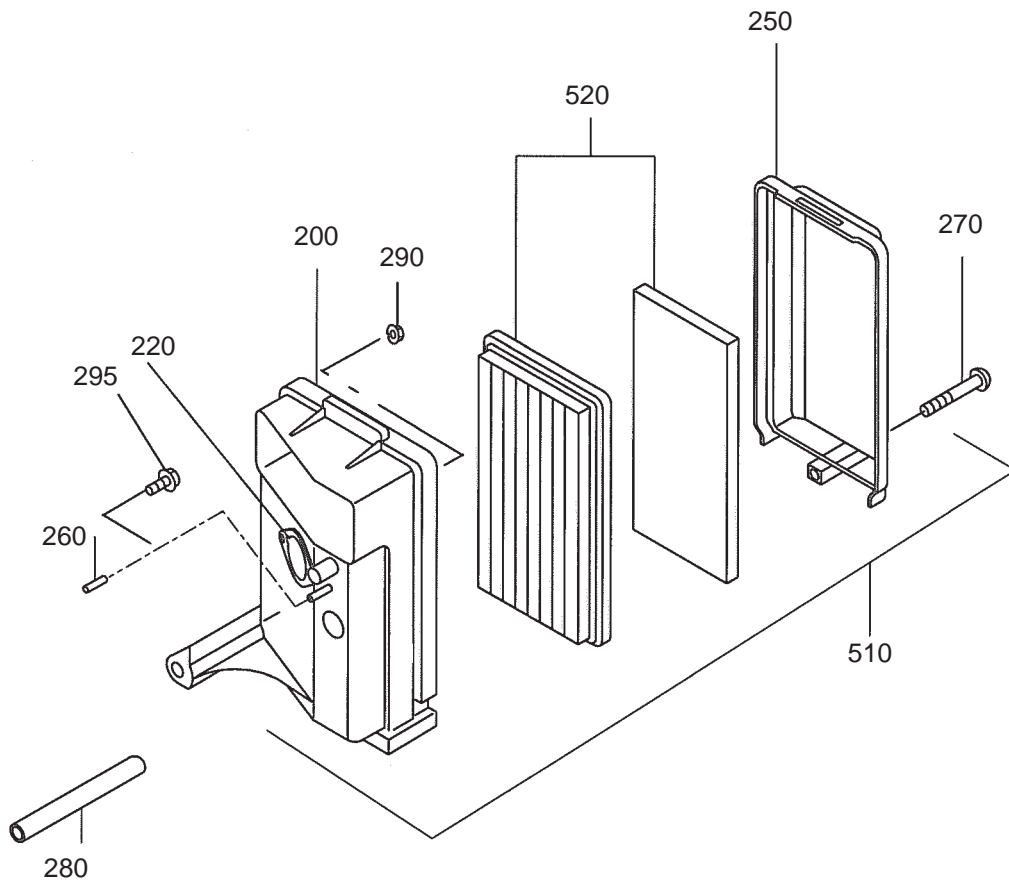


SECTION 3 INTAKE and EXHAUST GROUP

Ref.	Part Number	Description	Qty	Remarks	To-From	Fig.
10	20B-31601-01	Camshaft Cp	1			300
25	20B-35101-03	Pin, camshaft	1			300
27	024-00700-20	O ring	1			300
34	005-19041-00	Pin, spring	2			300
35	277-36401-03	Release lever	1			300
37	20B-36501-03	Clip	1			300
38	277-38702-03	Return Spring	1			300
60	246-33611-03	Valve Spring	2			300
70	246-33711-13	Spring Retainer	2			300
80	20B-33401-H3	Intake Valve	1			300
90	20B-33501-H3	Exhaust Valve	1			300
95	246-35501-03	Collet Valve	4			300
150	20B-35601-H1	Timing Chain	1			300
160	277-36911-03	Tentioner	1			300
163	277-37101-03	Spring, tentioner	1			300
166	277-36902-03	Pin, tentioner	1			300
170	277-36913-13	Chain Guide	1			300
200	20B-35001-01	Pin, rocker	1			300
210	003-13060-00	Clip	1			300
220	20B-36101-00	Rocker Arm Ay, intake	1			300
225	20B-36102-10	Rocker Arm Ay, exhaust	1			300
230	014-90500-20	Adjust Screw	1			300
231	014-90500-20	Adjust Screw	1			300
240	017-00500-30	Nut	1			300
241	017-00500-30	Nut	1			300
290	011-00600-20	Flange Bolt	1			300
310	20B-30101-J2	Muffler	1			300
315	20B-37001-01	Deflector Cp	1			300
317	015-00400-60	Tapping Screw	3			300
320	20B-34201-11	Muffler Cover Cp	1			300
340	20B-35201-03	Gasket, muffler	1			300
350	980-20082-80	Flange Nut	2			300
361	011-00600-10	Flange Bolt	5			300
365	011-00803-20	Flange Bolt	1			300
370	267-37601-01	Spark Arrestor	1			300

SECTION 3 INTAKE and EXHAUST GROUP

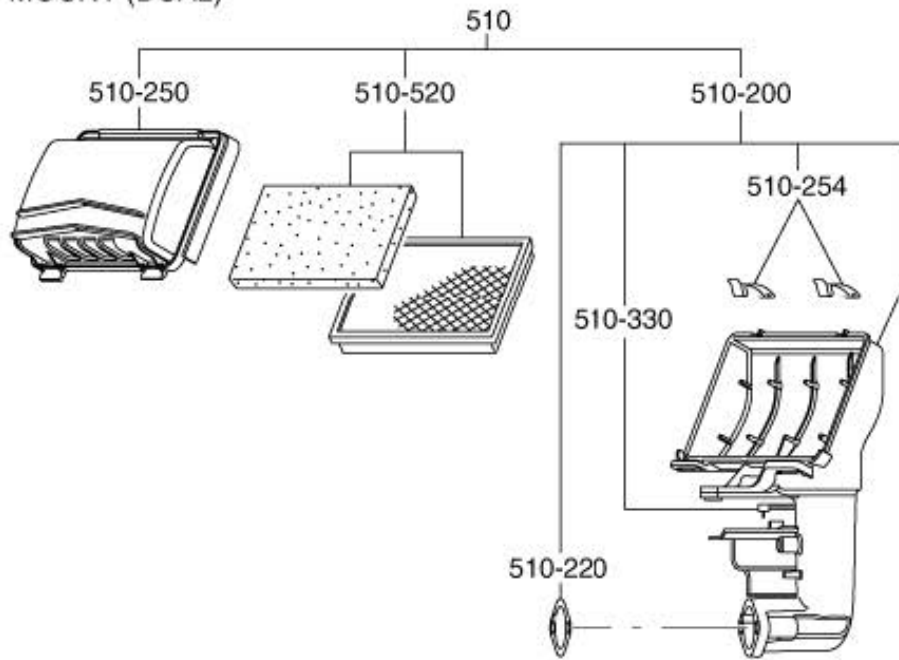
FIG. 3100E



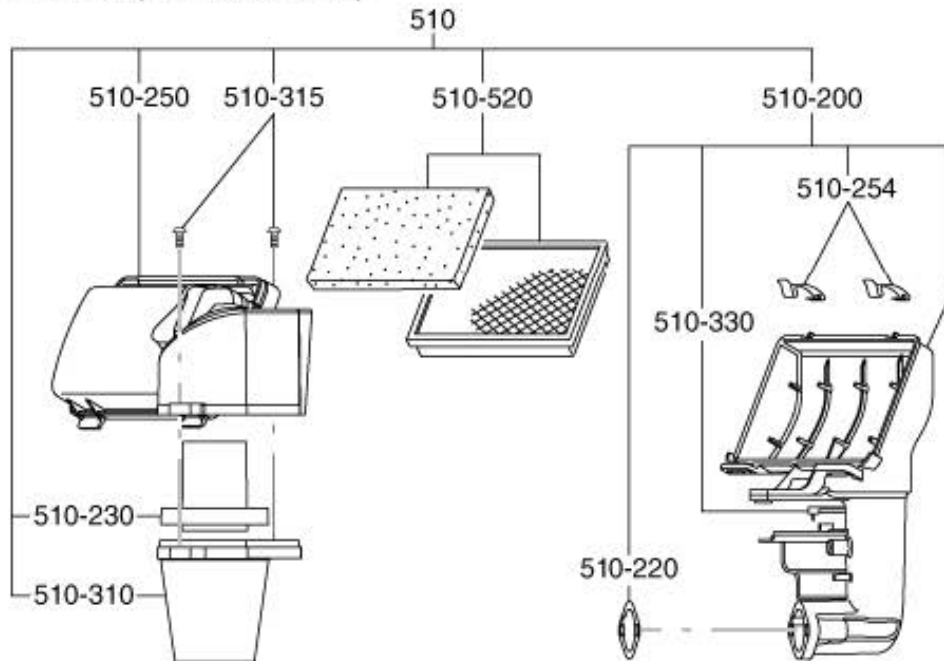
SECTION 3 INTAKE and EXHAUST GROUP

FIG. 310B

HI MOUNT (DUAL)



HI MOUNT (PRE CYCLONE)

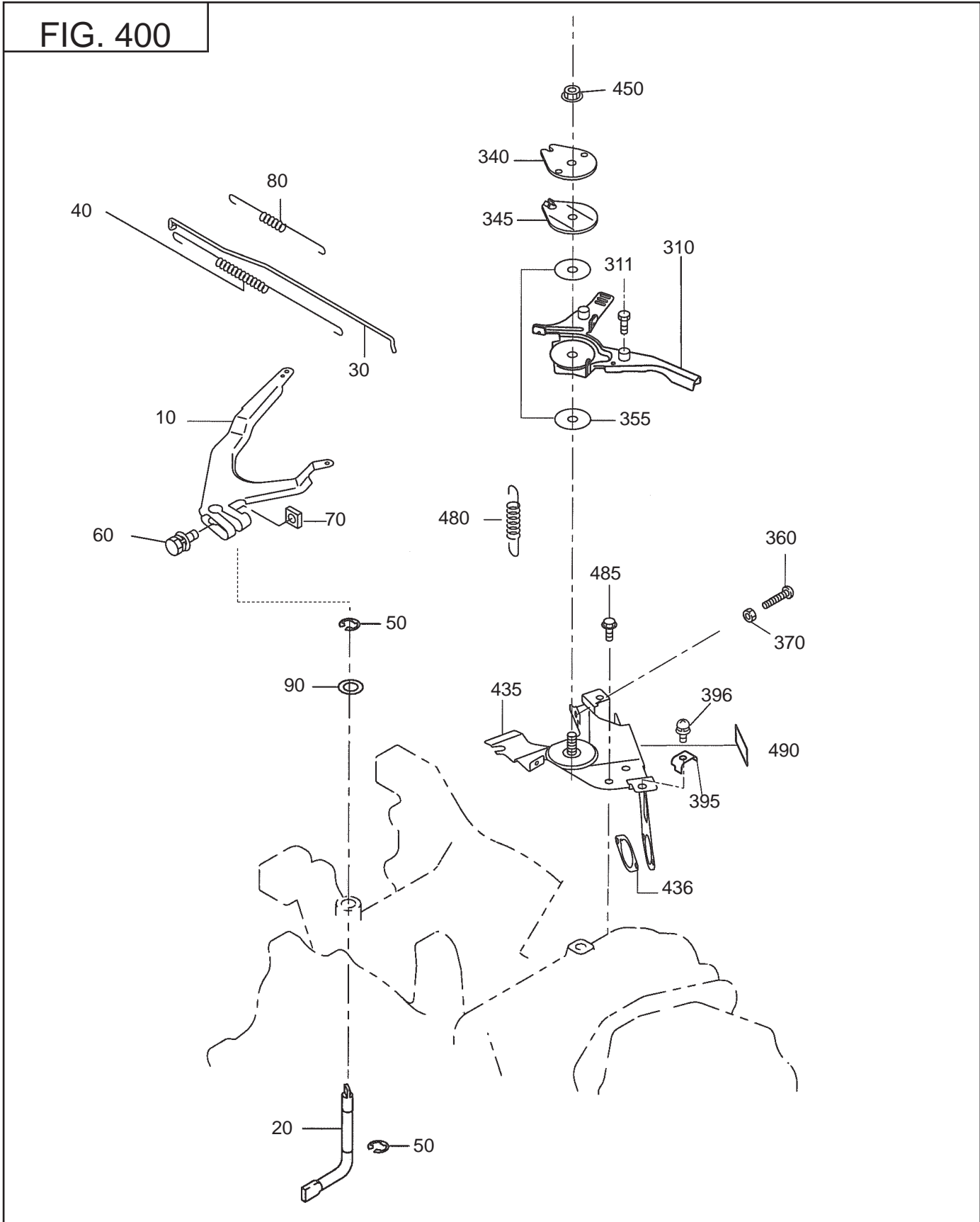


EX40

20B031701W00

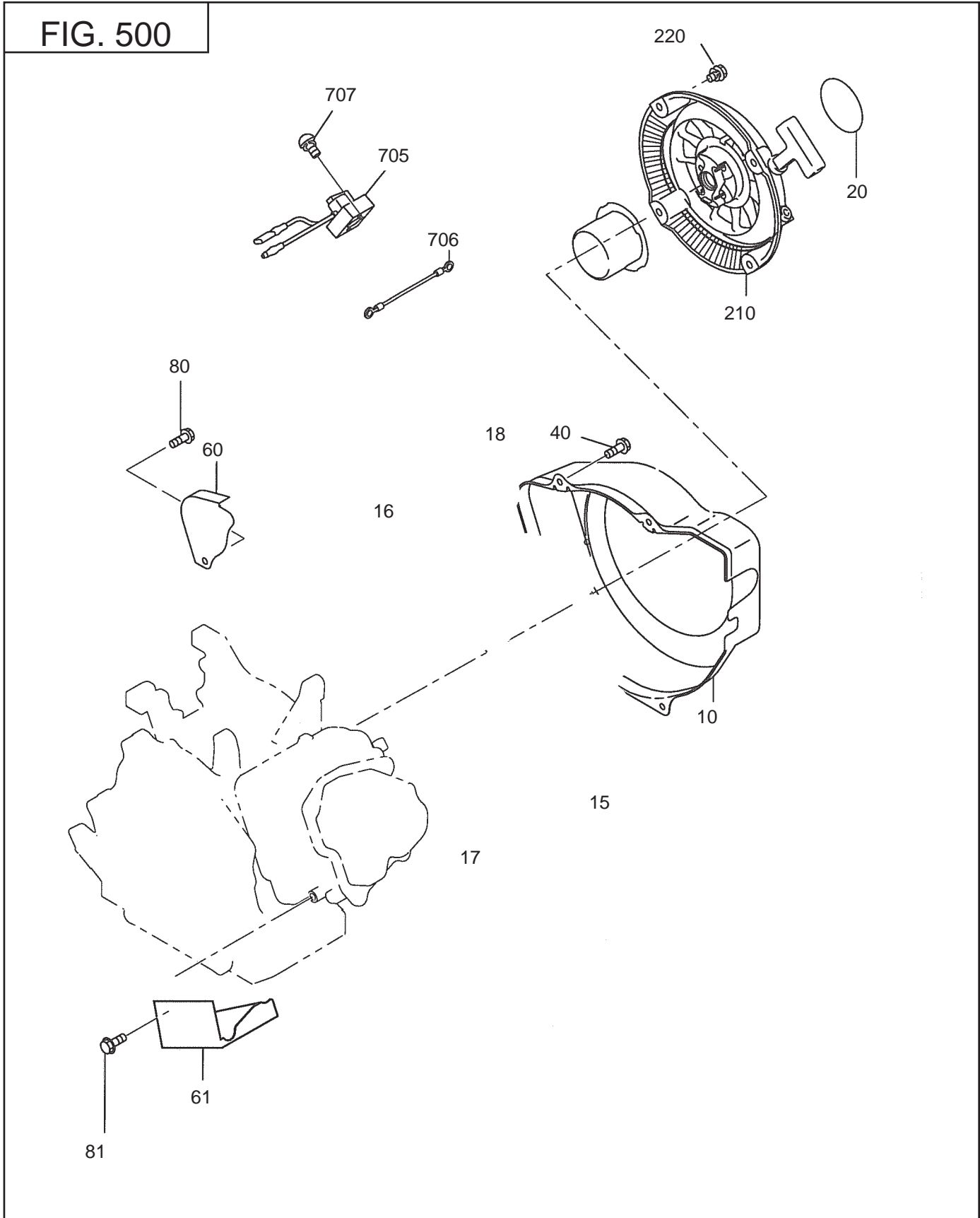
SECTION 4 GOVERNOR GROUP

FIG. 400



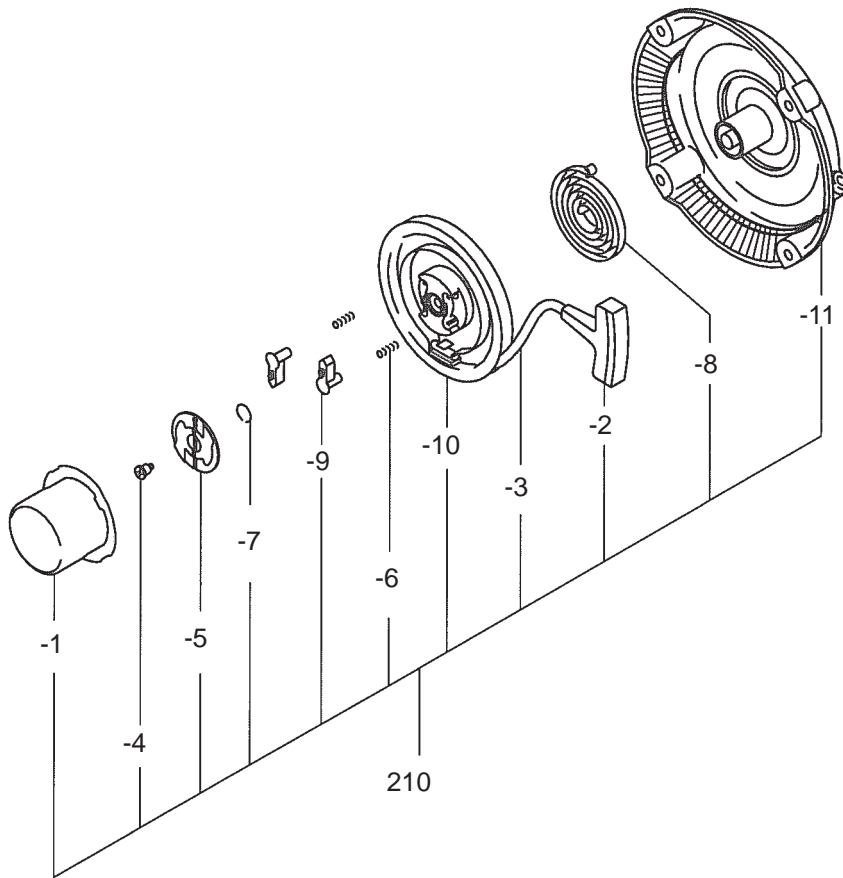
SECTION 5 COOLING and STARTING GROUP

FIG. 500



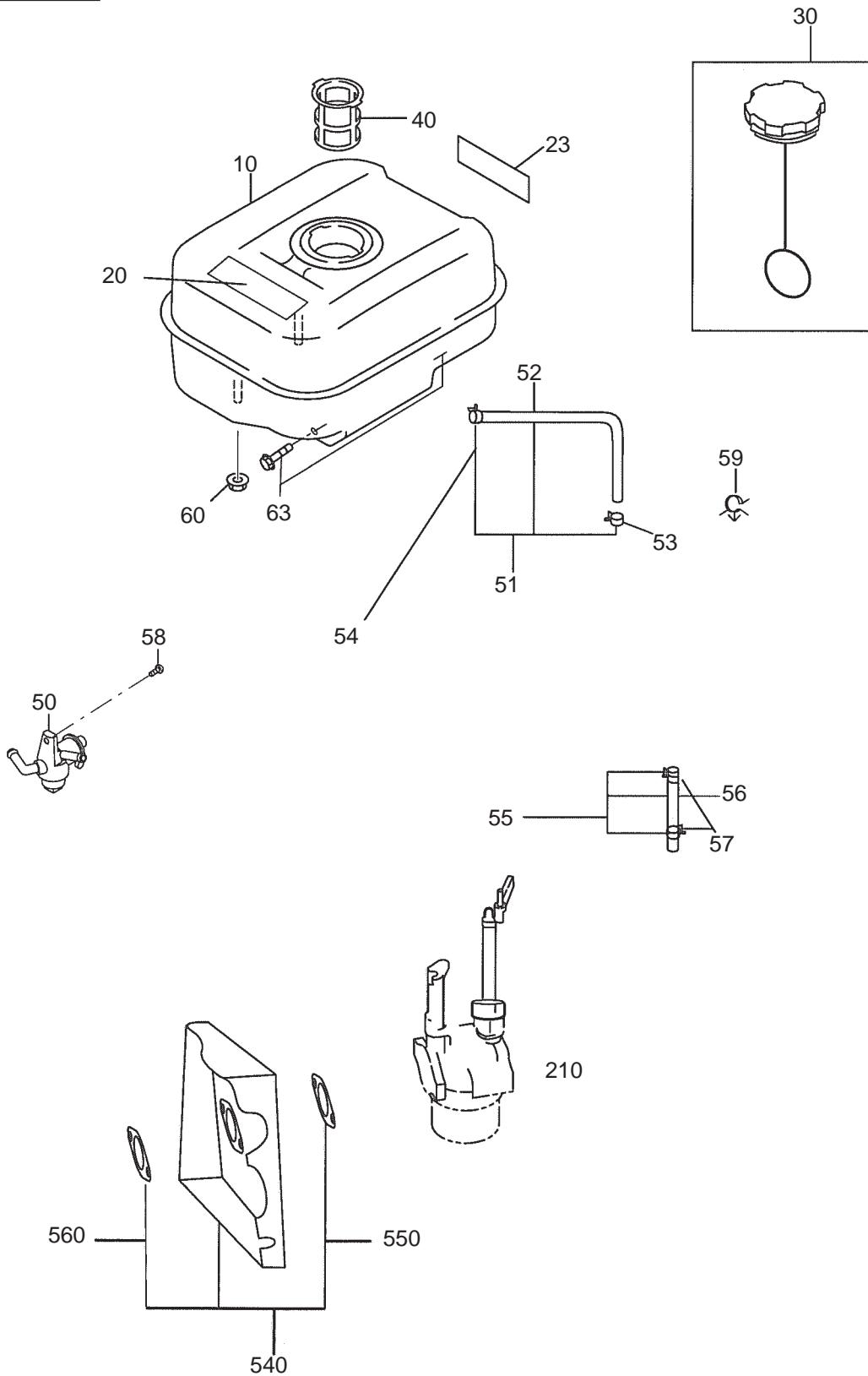
SECTION 5 COOLING and STARTING GROUP

FIG. 520



SECTION 6 FUEL, LUBRICATION GROUP

FIG. 600



SECTION 6 FUEL, LUBRICATION GROUP

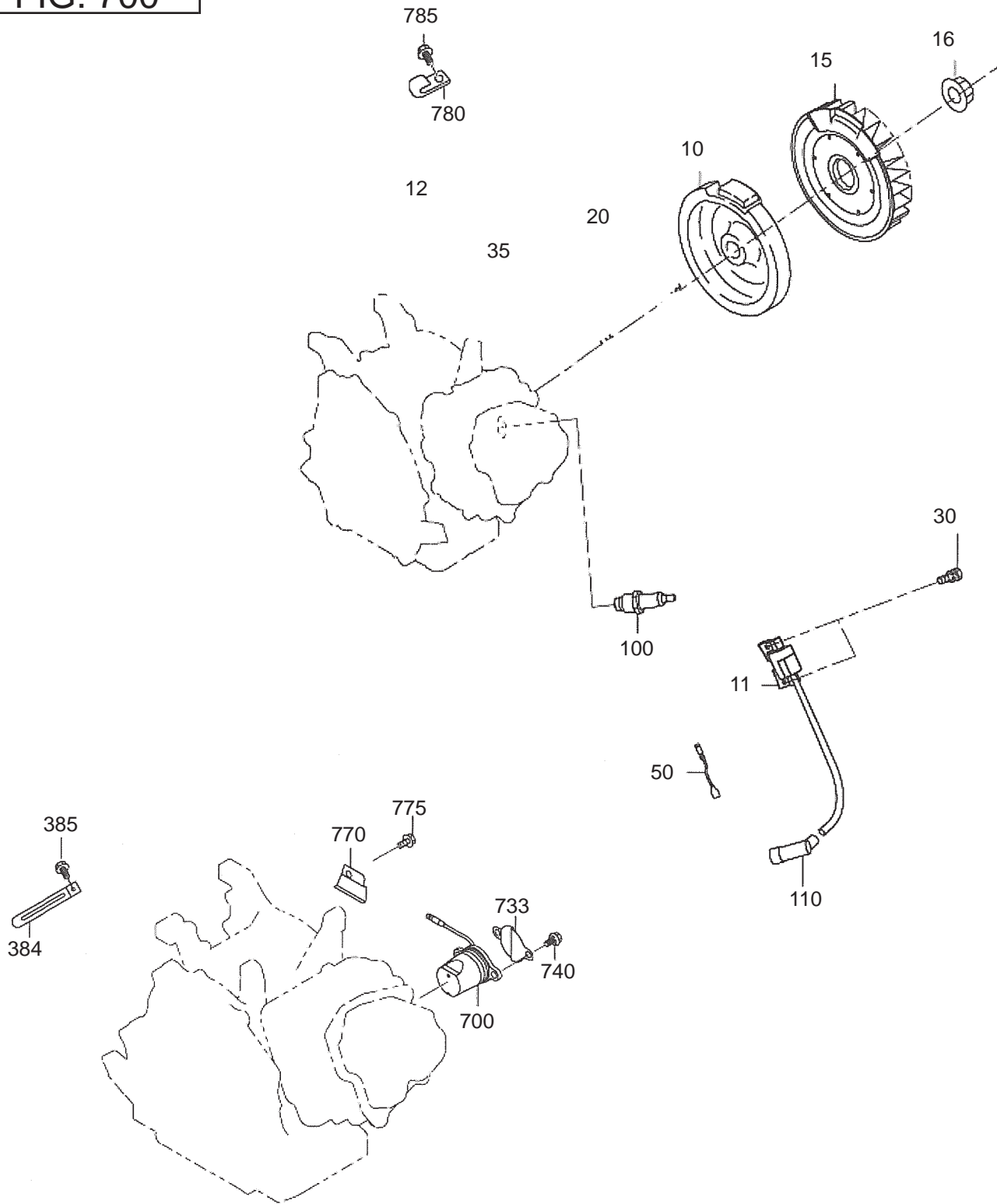
Ref.	Part Number	Description	Qty	Remarks	To-From	Fig.
	004-3804-20	Screw and Washer Ay				
10	20B-60102-01	Fuel Tank Cp	1			600
20	073-20051-81	Label, warning	1			600
23	20B-95101-03	Label, model	1			600
30	X43-04401-61	Fuel Tank Cap Cp	1			600
40	X64-13600-10	Fuel Filter	1			600
50	X64-20122-00	Fuel Strainer Ay	1			600
51	267-62604-11	Fuel Pipe Cp	1	fuel tank strainer		600
52	X85-10614-91	Rubber Pipe	1			600
53	X56-11100-60	Hose Clamp	1	fuel pipe, strainer		600
54	056-11200-40	Hose Clamp	1	fuel pipe, tank		600
55	20B-62601-01	Fuel Pipe Cp	1	strainer, carb		600
56	085-10620-90	Rubber Pipe	1			600
57	056-11000-30	Hose Clamp	2	fuel pipe		600
58	011-00600-20	Flange Bolt	1			600
59	056-81200-10	Clamp	1			600
60	002-38080-00	Flange Nut	2			600
63	011-00802-50	Flange Bolt	2			600
540	20B-32901-J1	Insulator Cp	1			600
550	20B-35901-H3	Gasket 1, insulator	1			600

SECTION 6 FUEL, LUBRICATION GROUP

FIG. 610

SECTION 7 ELECTRIC DEVICE GROUP

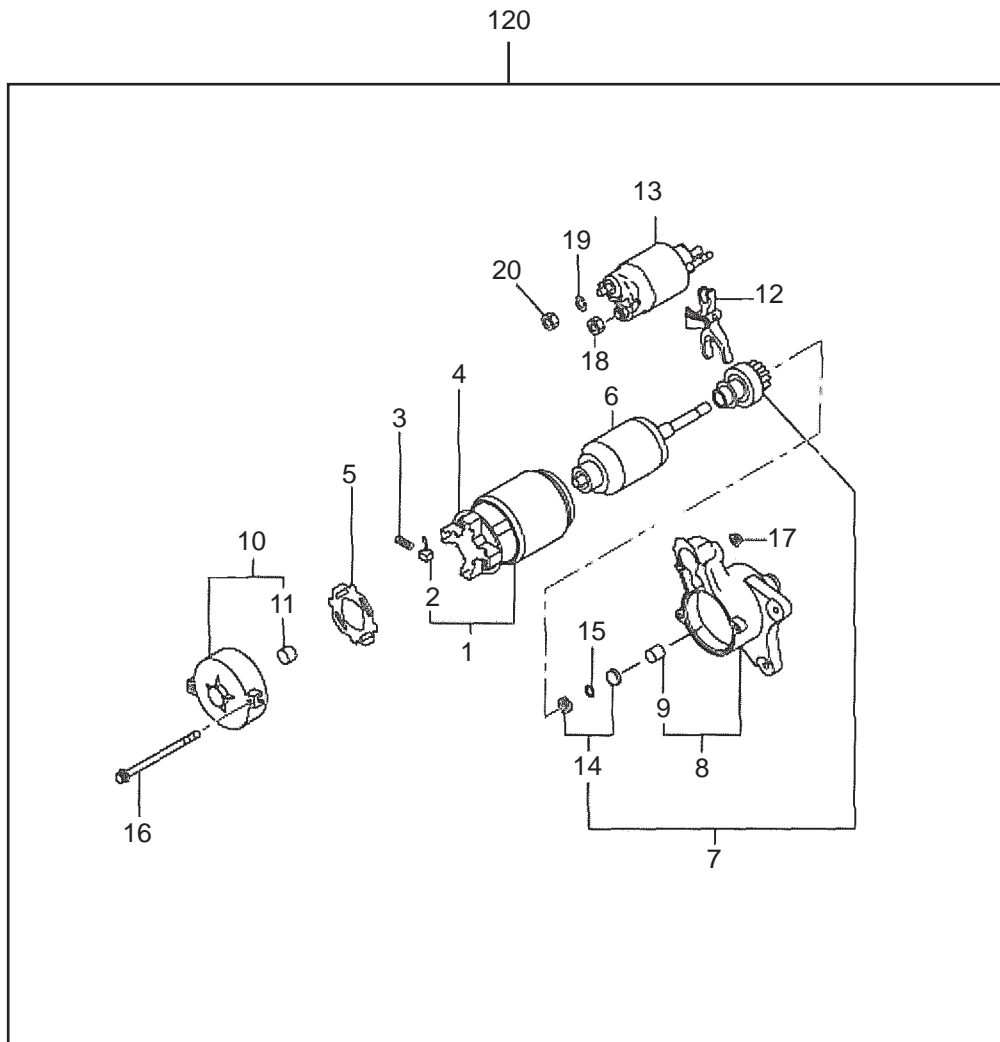
FIG. 700



SECTION 7 ELECTRIC DEVICE GROUP

Ref.	Part Number	Description	Qty	Remarks	To-From	Fig.
10	20B-79230-H1	Flywheel Cp	1	Std		700
	20B-79241-H1	Flywheel Cp	1	15 Watt		700
11	20B-79430-H1	Ignition Coil	1			700
12	20B-79301-H1	Charge Coil	1	15 Watt		700
15	20B-54101-H3	Cooling Blower	1			700
16	018-01800-10	Flange Nut	1			700
20	20B-71002-03	Ring Gear	1			700
30	001-14062-50	Bolt and Washer Ay	2			700
35	004-35062-00	Screw and Washer Ay	2			700
50	20B-73101-01	Wire 1	1			700
100	065-01401-50	Spark Plug	1			700
110	065-50003-11	Spark Plug Cap	1			700
384	056-60002-50	Clamp	1			700
385	011-00600-10	Flange Bolt	1			700
700	279-76301-51	Oil Sensor	1			700
733	277-75801-03	Shield Plate	1			700
740	013-00602-60	Bolt and Washer	2			700
770	20B-75501-03	Wire Clamp	1			700
775	015-20600-50	Tapping Bolt	1			700
780	214-79006-01	Clamp Cp	1	stop wire		700
785	011-00600-10	Flange Bolt	1	clamp		700

FIG. 710

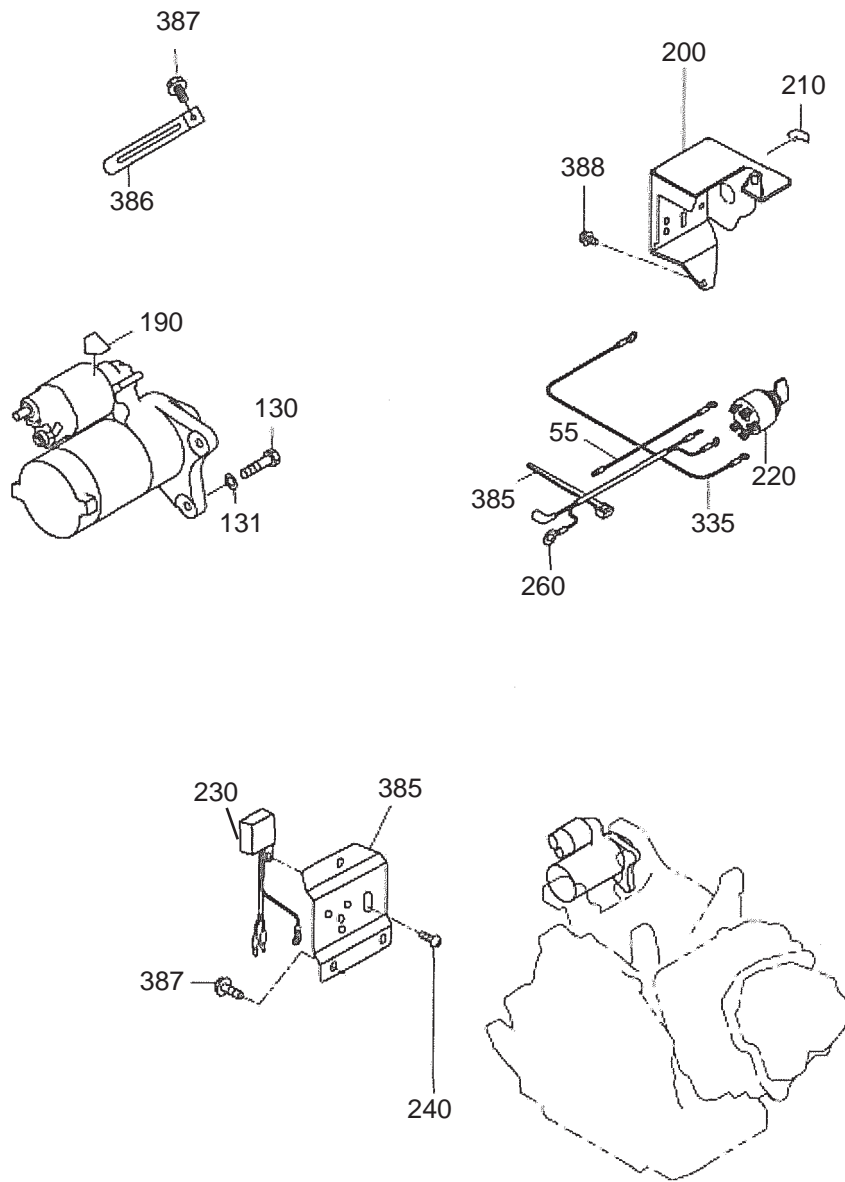


SECTION 7

ELECTRIC DEVICE GROUP - ELECTRIC STARTER

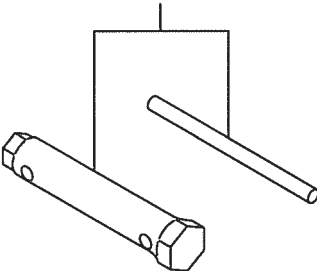
Ref.	Part Number	Description	Qty	Remarks	To-From	Fig.
120	279-70502-00	Starting Motor Ay	1			710
-1	209-70550-08	Yoke Cp	1			710
-2	209-70551-08	Brush	4			710
-3	209-70545-08	Brush Spring	4			710
-4	209-70530-08	Brush Holder	1			710
-5	209-70552-08	Insulator	1			710
-6	209-70554-08	Armature Ay	1			710
-7	209-70521-08	Over Running Clutch Cp	1			710
-8	279-70550-08	Housing Cp	1			710
-9	209-70511-08	Bush	1			710
-10	209-70505-18	Frame Cp	1			710
-11	209-70510-08	Bush	1			710
-12	209-70525-08	Lever	1			710
-13	279-70515-18	Magnet Switch Cp	1			710
-14	234-70555-08	Pinion Stopper	1			710
-15	209-70557-18	Snap Ring	1			710
-16	209-70558-08	Through Bolt	2			710
-17	949-29970-02	Nut	2			710
-18	209-70560-08	Nut	1			710
-19	107-70652-08	Spring Washer	1			710
-20	211-70584-08	Nut	1			710

FIG. 720



SECTION 9 ACCESSORY GROUP

FIG. 900



PRINTED IN THE USA

Robin America, Inc

905 Telser Road • Lake Zurich, IL 60047
Phone: 847-540-7300 • Fax: 847-438-5012
e-mail: sales@subarupower.com • www.subarupower.com

Free Manuals Download Website

<http://myh66.com>

<http://usermanuals.us>

<http://www.somanuals.com>

<http://www.4manuals.cc>

<http://www.manual-lib.com>

<http://www.404manual.com>

<http://www.luxmanual.com>

<http://aubethermostatmanual.com>

Golf course search by state

<http://golfingnear.com>

Email search by domain

<http://emailbydomain.com>

Auto manuals search

<http://auto.somanuals.com>

TV manuals search

<http://tv.somanuals.com>