



**SUBARU**

Industrial Power Products

# **PARTS MANUAL**

**Model**

**PKX401T**

**PUMP**

PUB-EP  
Rev. 0813

Robin America, Inc.

905 Telser Road • Lake Zurich, IL 60047 • Phone: 847-540-7300 • Fax: 847-438-5012  
e-mail: sales@subarupower.com • www.subarupower.com

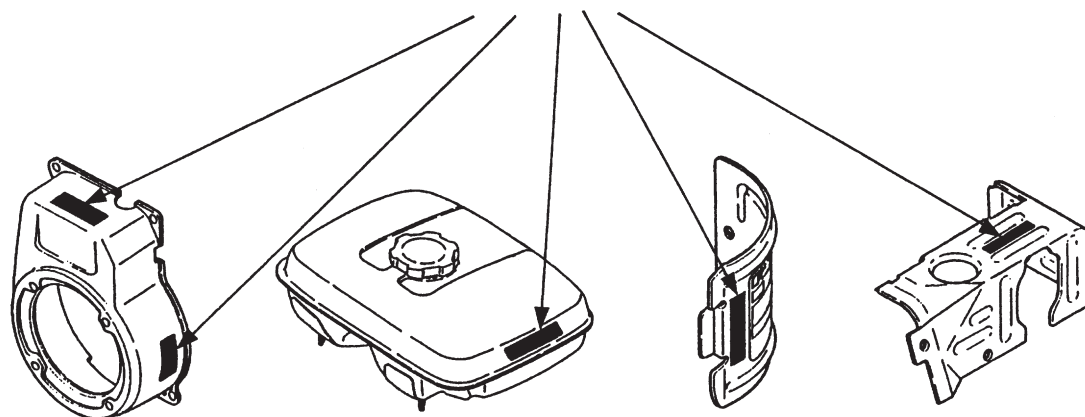
© Copyright 2012 Robin America, Inc.

## HOW TO USE THIS MANUAL

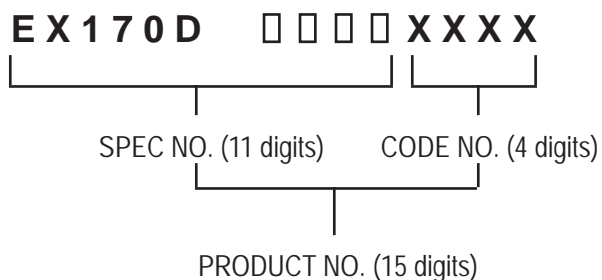
Robin engines are identified by MODEL, SPECIFICATION, and CODE NUMBER. For each model there may be many different versions called specifications. Each specification will be unique in some way. The difference may only be the paint color or it may have a different type of PTO or some other significant difference.

In order to identify the correct service part number, it is important to confirm the specification and code numbers for your engine. The specification and code number together are known as the PRODUCT NUMBER.

All Robin 4 cycle engines have a Product Number label similar to the label illustrated below.



The Product Number Label has a 15 digit alphanumeric string that consists of the SPECIFICATION (SPEC) number (11 digits) and the CODE number (4 digits). Please note the illustration below:



# MANUAL LAYOUT

1— SECTION 6 FUEL GROUP

2— FIG. 600

3

4

50

30

40

10

20,27

31

DETAIL A

1— SECTION 6 FUEL GROUP

REF.	PART NO.	DESCRIPTION	QTY.	REMARKS	FROM-TO	FIG.
10	267-60103-01	FUEL TANK CP	1	YD, YS TYPE, BLACK		600
	267-60101-01	FUEL TANK CP	1	YELLOW		600
27	073-20039-00	LABEL, WARNING	1	YD, YS TYPE		600
30	043-04300-15	FUEL TANK CAP CP	1			600
31	267-95201-03	LABEL, EMISSION	1	YD, YS TYPE		600
40	064-13600-10	FUEL FILTER	1			600
50	064-20021-01	FUEL STRAINER AY	1			600
-1	064-20002-20	FILTER	1			600
-2	064-20002-30	GASKET	1			600
-3	064-20019-10	CUP	1			600

1. SECTION NAME Parts are broadly classified according to their functions. Refer to the Group Index (table of contents) for respective section name.
2. FIG. No. The FIG. number indexes the reference and part number to the illustration. Figure numbers that vary only in the tens place (i.e.: 700 and 710) are in a group of the same section (i.e.: Electrical Device Group).
3. REF. No. The Reference number identifies the part illustration with the corresponding part number in the part list.
4. SUBASSEMBLY SUBASSEMBLY parts of part assembly are listed below the assembly part. The subassembly part reference number is indicated by the number led by "-" such as "-1", "-2".
5. PART NUMBER It is the number assigned for sales unit. Use the PART No. when making an order.
6. DESCRIPTION It is designation of the part.
7. QTY. Quantity of each part used for each product.
8. REMARKS This gives a distinctive feature and/or a supplementary comment for the type, the specification, and the part concerned. It also shows part number(s) interchangeable for the part.
9. FROM-TO This section shows the CODE No. to indicate the history of progress in which improved parts have been introduced in the product. The FROM-TO CODE No. helps to identify PART No. being employed in the product concerned. See the examples below:
  - The part is used in the product irrespective of CODE No.
  - 2101- The part is used in the products with CODE No. of 2101 and after this number.
  - 2100 The part is used in the products with CODE No. of 2100 and before this number.

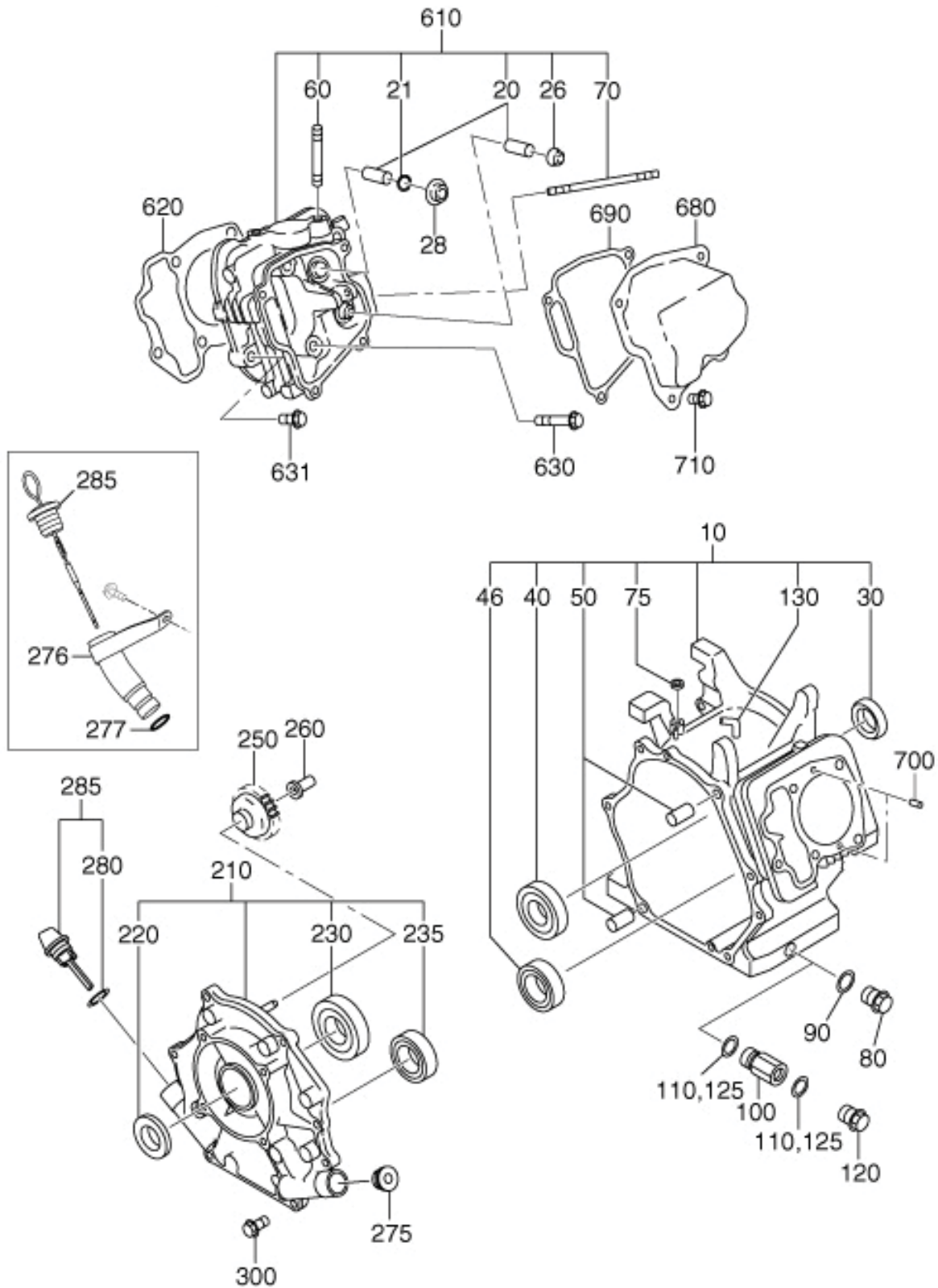
# GROUP INDEX

Group Name	Page
CRANKCASE GROUP .....	6
CRANKSHAFT GROUP .....	8
INTAKE and EXHAUST GROUP .....	10
GOVERNOR GROUP .....	18
COOLING and STARTING GROUP .....	22
FUEL, LUBRICANT GROUP .....	26
CARBURETOR GROUP .....	28
ELECTRIC DEVICE GROUP .....	32
ACCESSORY GROUP .....	38

<b>INDEX OF DESCRIPTION SYMBOLS</b>			
<b>SYMBOL</b>	<b>DESCRIPTION</b>	<b>SYMBOL</b>	<b>DESCRIPTION</b>
AY .....	ASSEMBLY	P= .....	PITCH (in mm)
CP .....	COMPLETE	P.T.O. (PTO) .....	POWER TAKE OFF
EX .....	EXPORT (from Japan)	REF .....	REFERENCE
FIG .....	FIGURE	R.H. (RH) .....	RIGHT HAND SIDE
FR .....	FRONT	RR .....	REAR
" .....	INCH	STD. ....	STANDARD
INCL. ....	INCLUDE	SW .....	SWITCH
~L .....	LITER	T= .....	THICKNESS (in mm)
L= .....	LENGTH (in. mm)	UN .....	UNIT
L.H. (LH) .....	LEFT-HAND SIDE	U.S. ....	UNDER SIZE
MECH .....	MECHANICAL	~V .....	VOLTAGE
NO (NON) .....	NONE	~W .....	WATT
OPT .....	OPTIONAL	W/ .....	WITH
O.S. ....	OVER SIZE	W/O .....	WITHOUT

FIG. 1 CRANKCASE GROUP

FIG. 100



# FIG. 1 CRANKCASE GROUP

Ref.	Part Number	Description	Qty	Remarks	To-From	Fig.
10	20B-10102-41	CRANK CASE CP	1		-	100
20	20B-14202-03	VALVE GUIDE	2		-	100
21	056-51000-50	CLIP	1	10.7DX0.9D	-	100
26	132-11AA1-10	SEAL-EXH VALVE	1		-	100
28	263-35341-03	RETAINER PLATE	1	11DX17.3DX27DX4.7H	-	100
30	044-03500-91	OIL SEAL	1	35DX48DX8B	-	100
40	X60-03502-40	BALL BEARING	1		-	100
46	X60-01500-11	BALL BEARING	1	15DX35DX11B	-	100
50	277-15011-03	PIPE KNOCK	2	10.3DX8.5DX14L	-	100
60	010-50802-90	STUD	2	M8X1.25X30L	-	100
70	010-50604-40	STUD	2		-	100
75	044-00800-10	OIL SEAL	1	8DX14DX4B	-	100
80	040-11400-30	PLUG	2	M14X1.5X20DX12L	-	100
90	021-11400-20	GASKET	2	14.1DX19DX2.3T	-	100
210	20B-11001-21	MAINBEARING COVER CP	1		-	100
220	044-03500-91	OIL SEAL	1	35DX48DX8B	-	100
230	X60-03502-40	BALL BEARING	1		-	100
235	X60-01500-11	BALL BEARING	1	15DX35DX11B	-	100
250	20B-45003-11	GOVERNOR GEAR CP	1		-	100
260	277-41902-01	GOVERNOR SLEEVE CP	1		-	100
285	279-63601-30	OIL GAUGE AY	2		-	100
300	011-00803-40	FLANGE BOLT	8	M8X1.25X17DX38L	-	100
610	20B-13002-00	CYLINDER HEAD AY	1		-	100
620	20B-15001-33	GASKET(HEAD)	1	T=0.2	-	100
630	011-01000-40	FLANGE BOLT	4	M10X1.25X19DX75L	-	100
631	001-04083-50	FLANGE BOLT	2	M8X1.25X16DX35L	-	100
680	20B-15501-01	ROCKER COVER CP	1		-	100
690	20B-16001-03	GASKET(ROCKER COVER)	1	T=0.5	-	100
700	031-00600-10	DOWEL PIN	2	6DX14.8L	-	100
710	011-00600-20	FLANGE BOLT	4	M6X1.0X14DX12L	-	100
960	20B-99001-37	GASKET SET	1		-	100

FIG. 2 CRANKSHAFT GROUP

FIG. 200

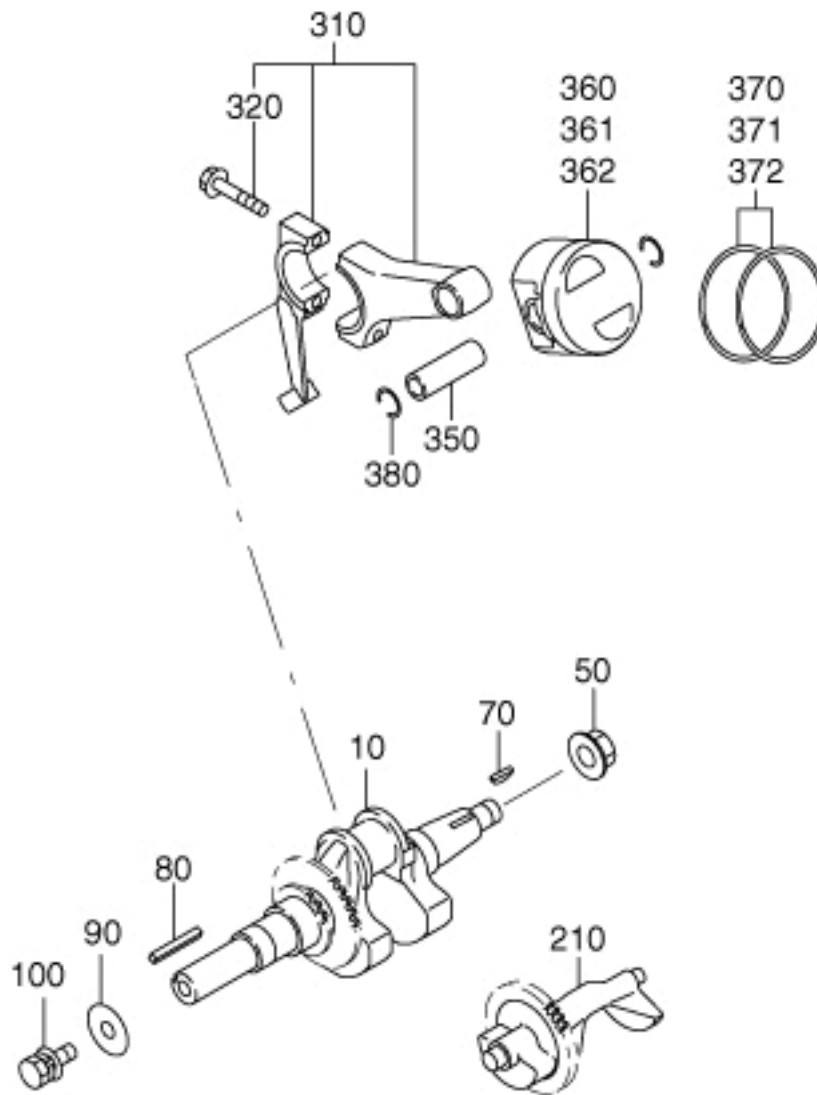
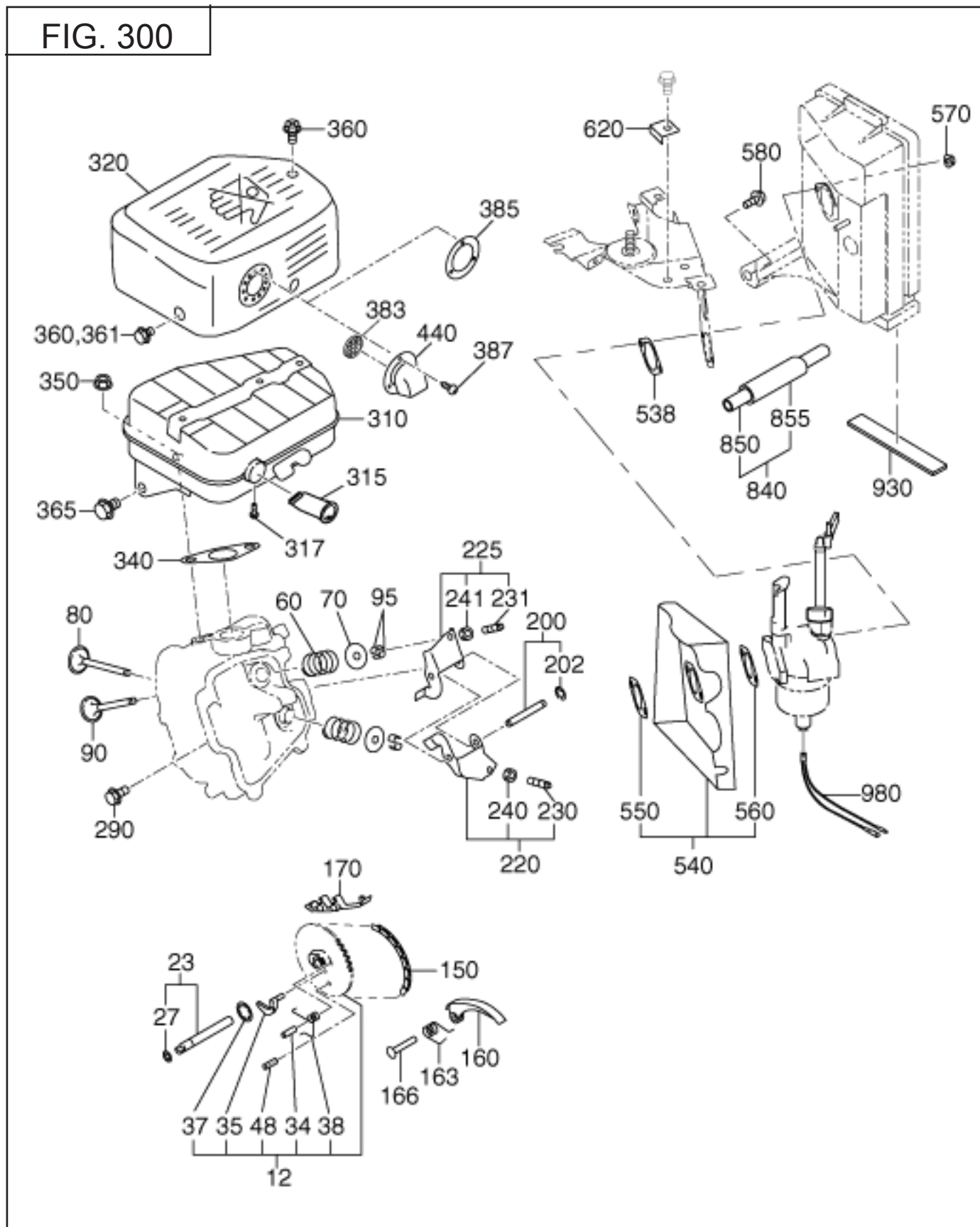






FIG. 3 INTAKE and EXHAUST GROUP

FIG. 300



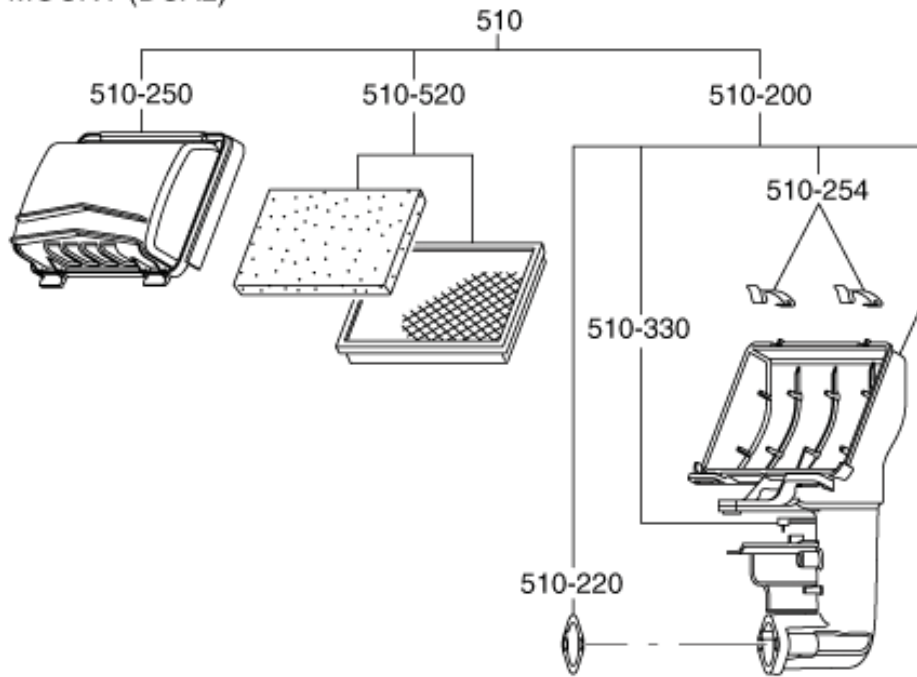
**FIG. 3 INTAKE and EXHAUST GROUP**

Ref.	Part Number	Description	Qty	Remarks	To-From	Fig.
12	20B-31601-20	CAMSHAFT AY	1		-	300
23	20B-35101-21	PIN(CAM SHAFT)CP	1		-	300
27	024-00700-21	O-RING	1		-	300
34	005-19041-00	SPRING PIN	1	4.4DX10LX0.8T	-	300
35	277-36401-13	RELEASE LEVER	1		-	300
37	20B-36501-03	CLIP	1		-	300
38	277-38702-03	RETURN SPRING	1	5.1DX0.6DX4.4L N=7	-	300
48	031-80500-20	ROLL PIN	1		-	300
60	246-33611-03	VALVE SPRING	2	22.2DX2.9DX37L N=6.5	-	300
70	246-33711-13	SPRING RETAINER	2	7.6DX26DX8T	-	300
80	20B-33402-H3	INTAKE VALVE	1		9227-	300
	20B-33401-H3	INTAKE VALVE	1		-9226	300
90	20B-33502-H3	EXHAUST VALVE	1		9227-	300
	20B-33501-H3	EXHAUST VALVE	1		-9226	300
95	246-35501-03	COLLET-VALVE	4		-	300
150	20B-35601-H1	TIMING CHAIN CP	1		-	300
160	277-36911-03	TENTIONER	1		-	300
163	277-37101-03	SPRING(TENTIONER)	1	10DX1.8DX14L N=4.5	-	300
166	277-36902-03	PIN(TENTIONER)	1	6DX13DX34L	-	300
170	277-36913-13	CHAIN GUIDE	1		-	300
200	20B-35001-01	PIN(ROCKER)CP	1		-	300
202	003-13060-00	CLIP	1	6DX12DX0.8T	-	300
220	20B-36101-00	ROCKER ARM(IN) AY	1		-	300
225	20B-36102-10	ROCKER ARM(EX) AY	1		-	300
230	014-90500-20	ADJUST SCREW	1	M5X0.5X23L	-	300
231	014-90500-20	ADJUST SCREW	1	M5X0.5X23L	-	300
240	017-00500-30	NUT	1	M5X0.5X4.1H	-	300
241	017-00500-30	NUT	1	M5X0.5X4.1H	-	300
290	011-00600-10	FLANGE BOLT	1	M6X1.0X14DX8L	-	300
310	20B-30111-J2	MUFFLER UN	1		-	300
315	267-37602-01	SPARK ARRESTER CP	1		-	300
317	015-00400-60	TAPPING SCREW	1	M4X6L	-	300
320	20B-34201-11	MUFFLER COVER CP	1		-	300
340	20B-35201-13	GASKET(MUFFLER)	1	T=0.2	-	300
350	002-38080-00	FLANGE NUT	2	M8X1.25X17DX7.5H	-	300
360	011-00600-10	FLANGE BOLT	5	M6X1.0X14DX8L	-	300
365	011-00803-20	FLANGE BOLT	1	M8X1.25X16DX12L	-	300
385	267-37101-12	TAIL SCREEN UN	1		-	300
387	015-00400-60	TAPPING SCREW	3	M4X6L	-	300
538	20B-35903-13	GASKET 3	1	T=0.5	-	300
540	20B-32901-K1	INSULATOR CP	1		-	300
550	20B-35902-H3	GASKET 2	1	T=0.5	-	300
560	20B-35901-H3	GASKET 1	1	T=0.5	-	300
570	002-38060-00	FLANGE NUT	2	M6X1.0X13DX6H	-	300
580	001-04061-60	FLANGE BOLT	1	M6X1.0X13DX16L	-	300
620	20B-57101-03	COVER STAY(A/C)	1		-	300
850	X85-11001-70	RUBBER PIPE	1	10DX15DX170I	-	300

FIG. 3 INTAKE and EXHAUST GROUP

FIG. 315

HI MOUNT (DUAL)



HI MOUNT (PRE CYCLONE)

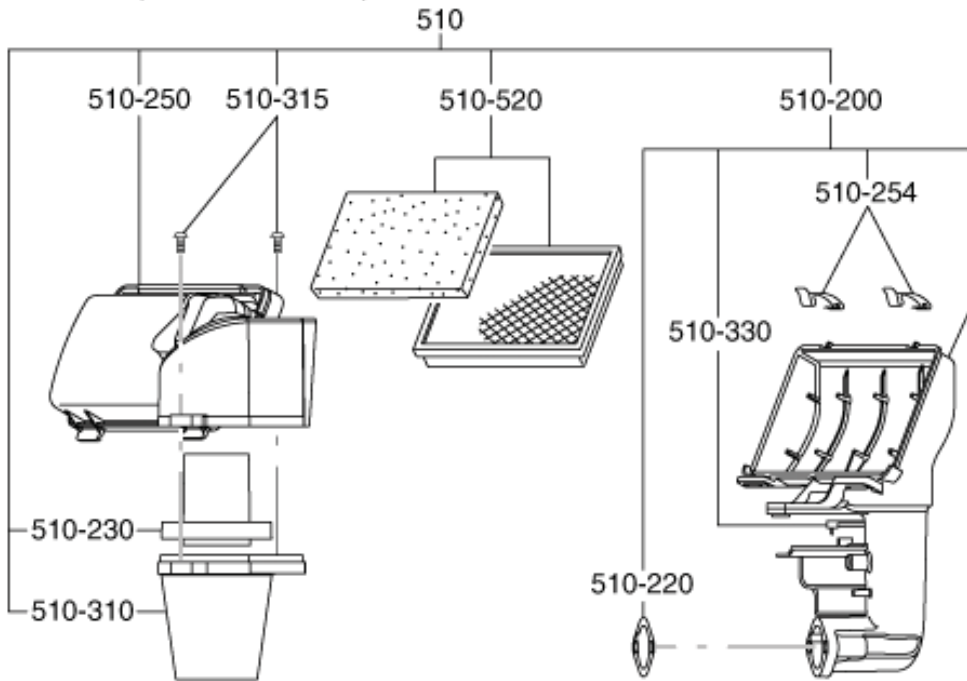




FIG. 4 GOVERNOR GROUP

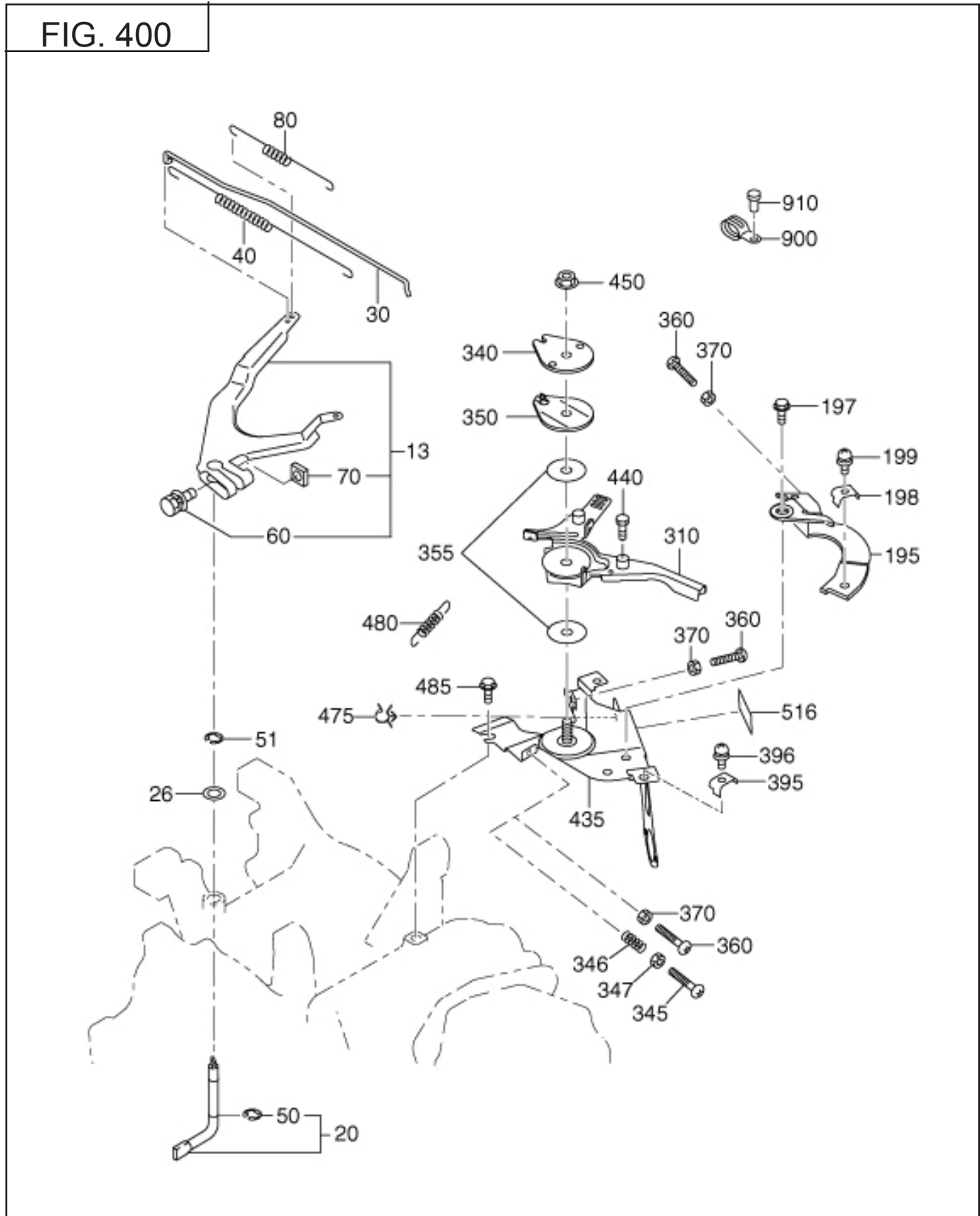




FIG. 5 COOLING and STARTING GROUP

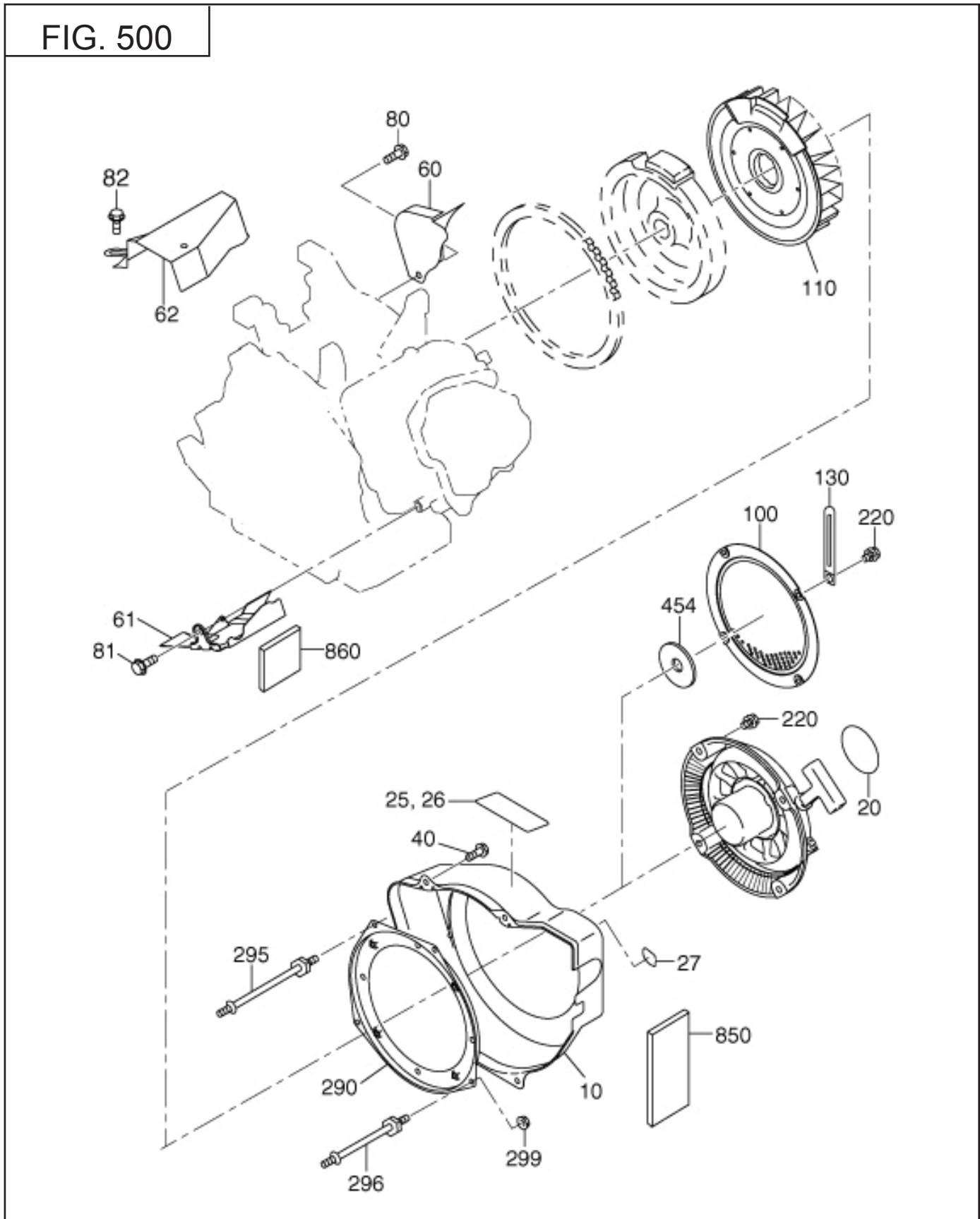
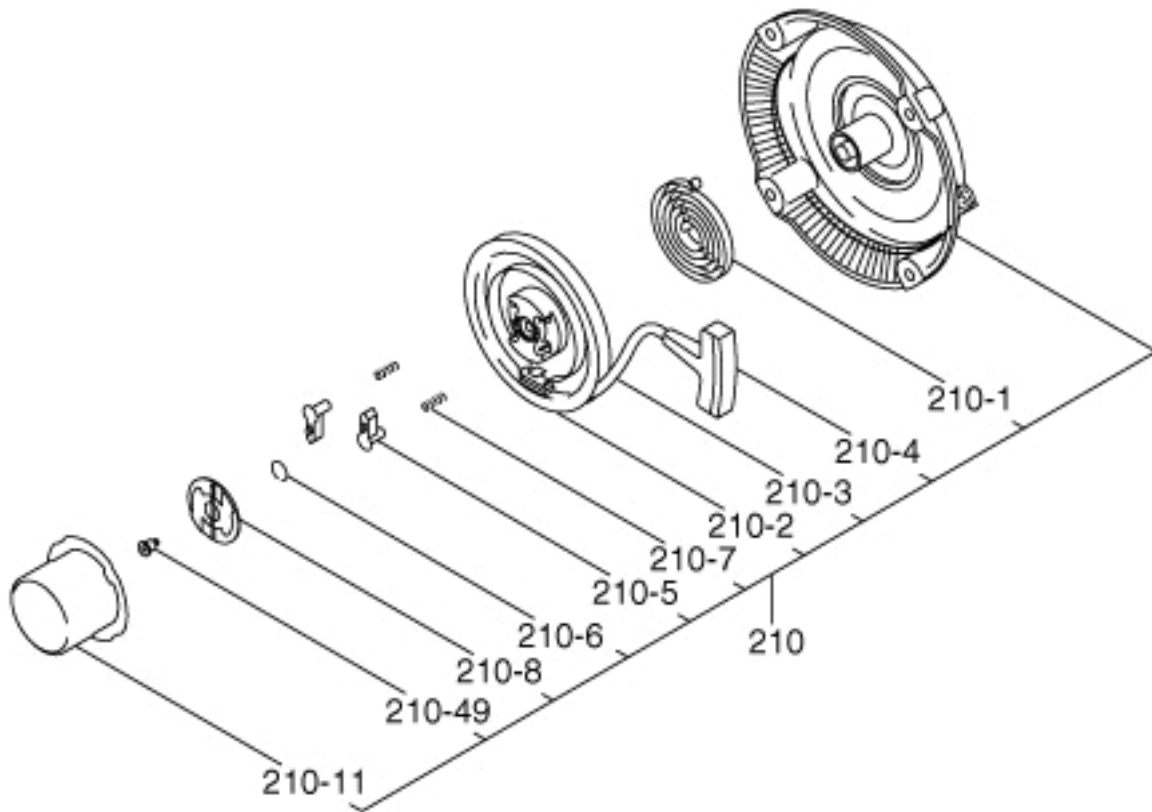






FIG. 5 COOLING and STARTING GROUP

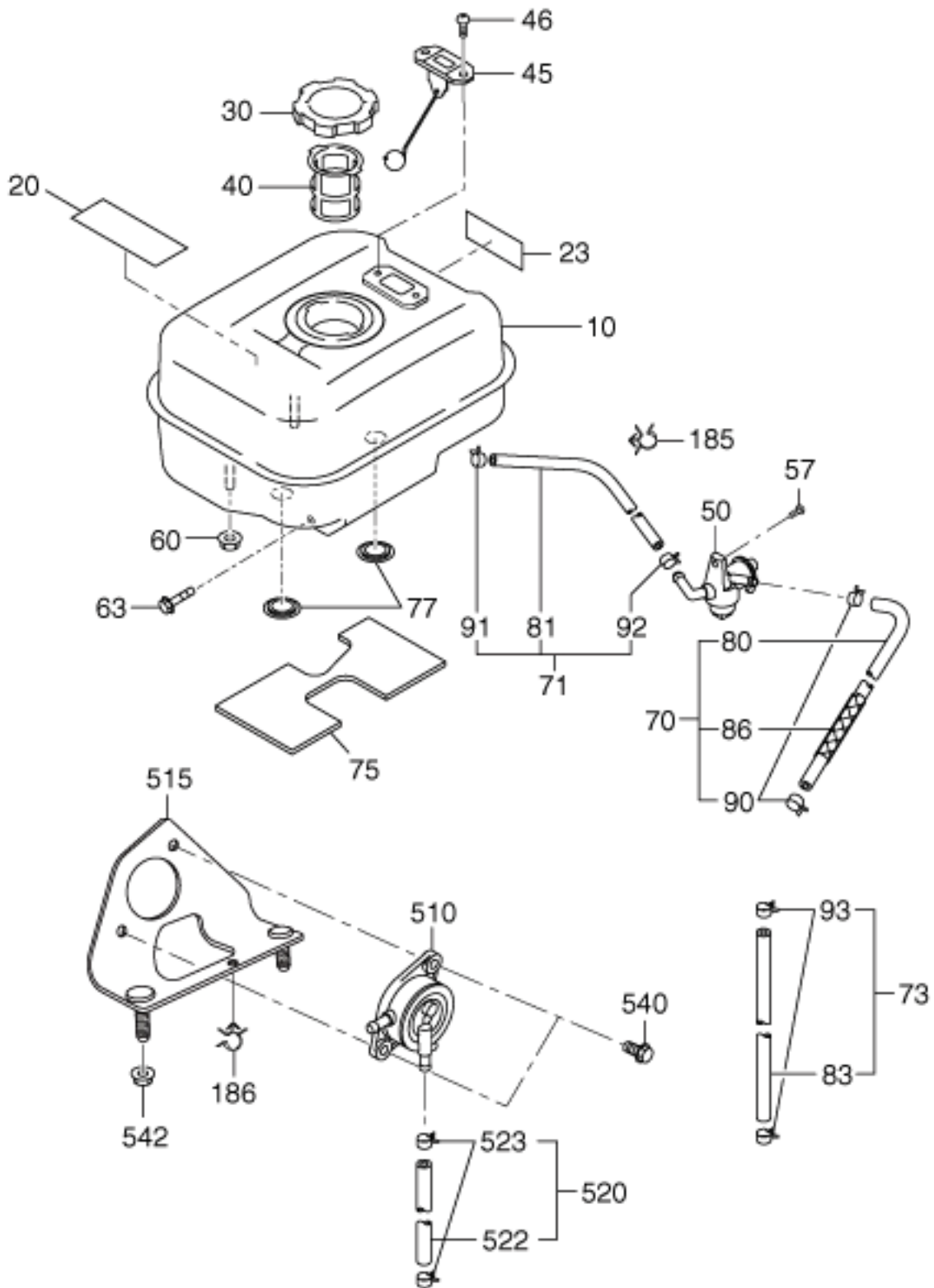
FIG. 520





# FIG. 6 FUEL LUBRICANT GROUP

## FIG. 600





**FIG. 6 FUEL LUBRICANT GROUP**

**FIG. 640**

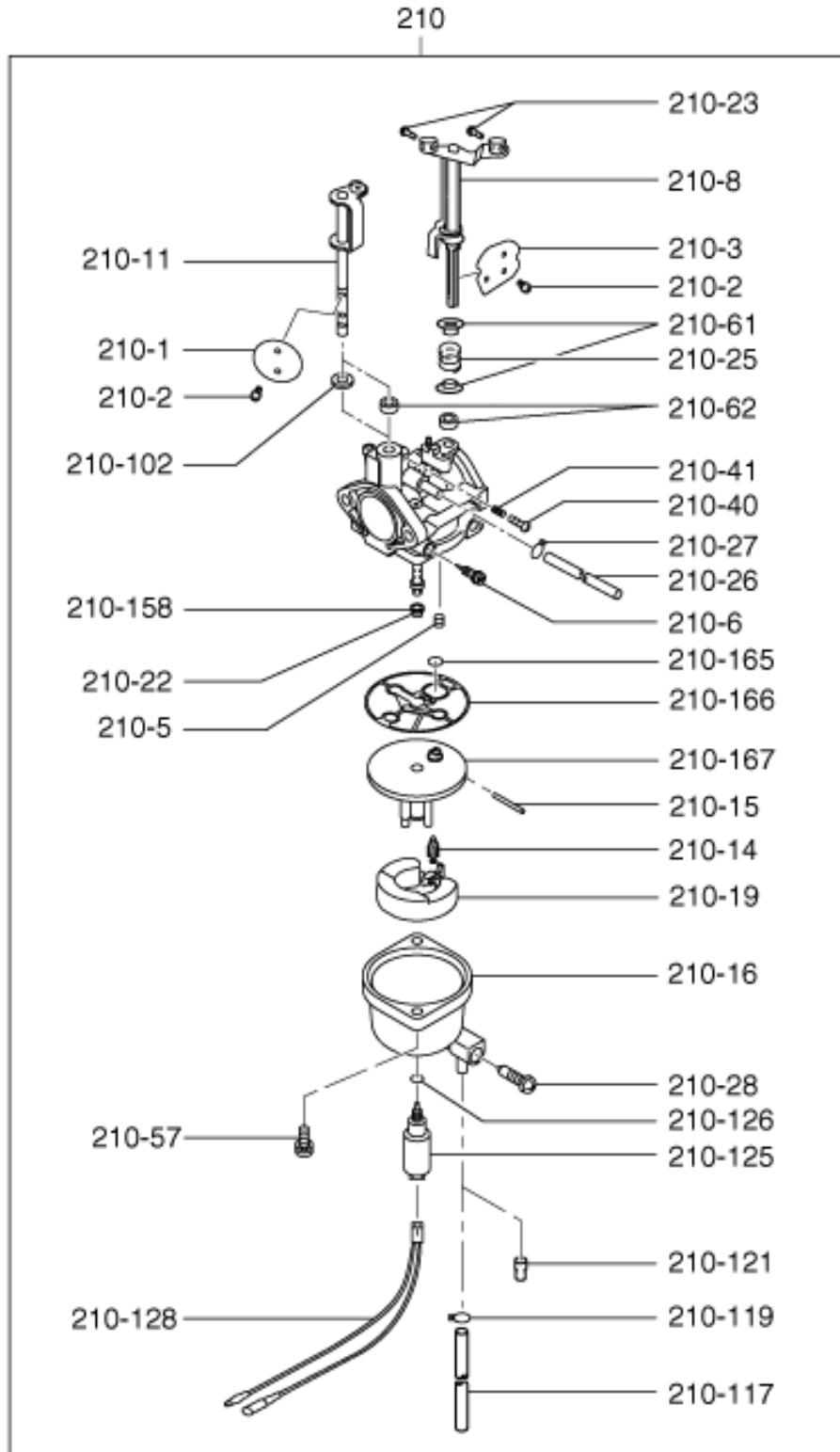




FIG. 7 ELECTRIC GROUP

FIG. 700

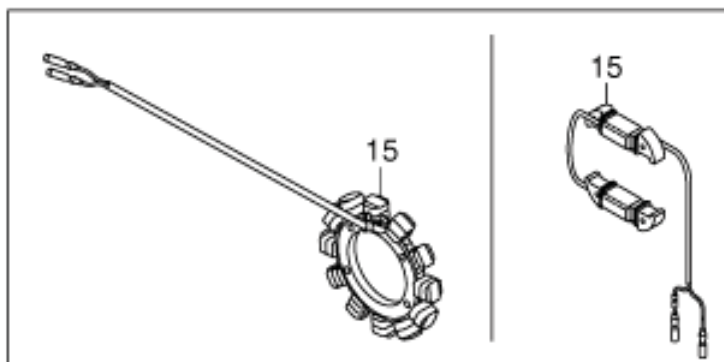
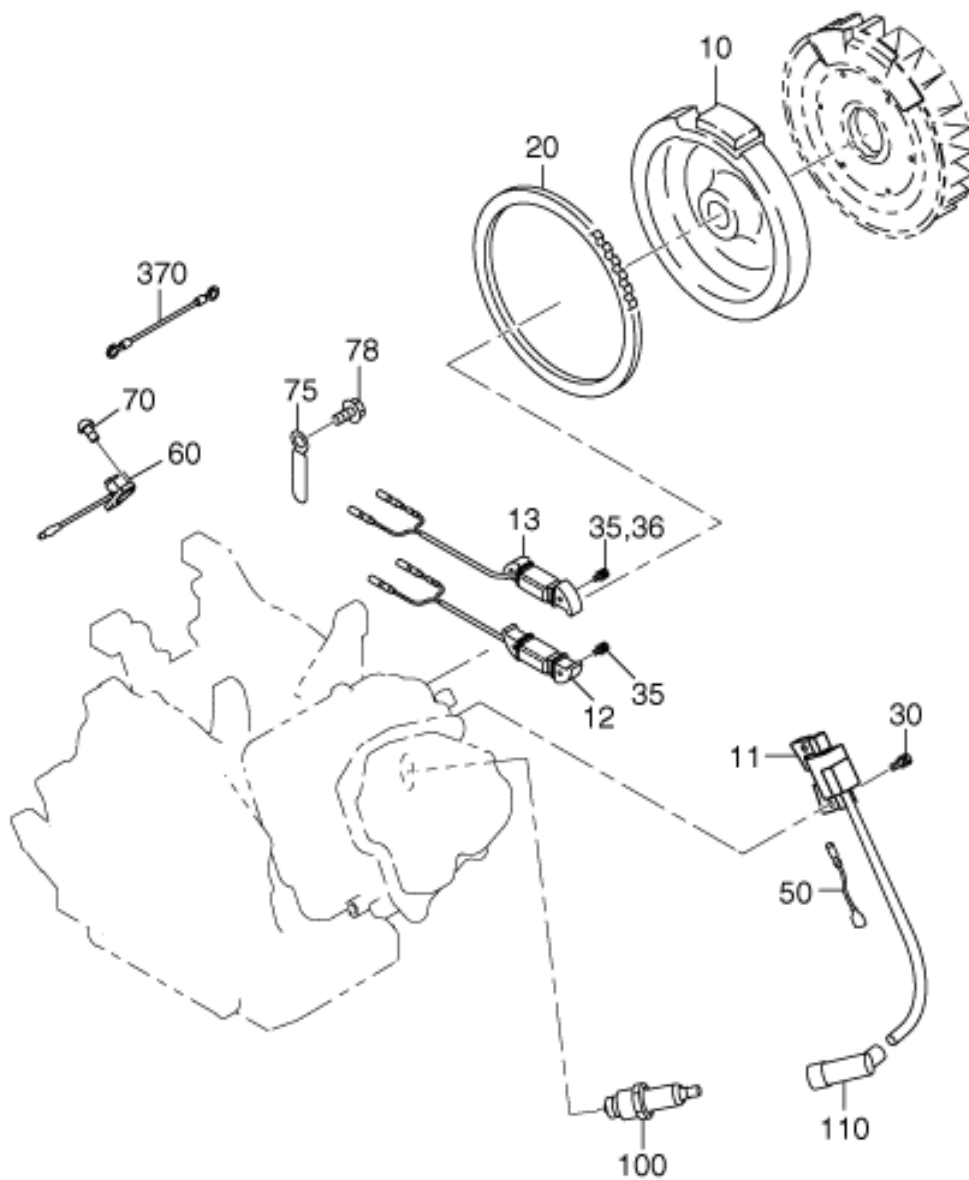






FIG. 7 ELECTRIC GROUP

FIG. 770

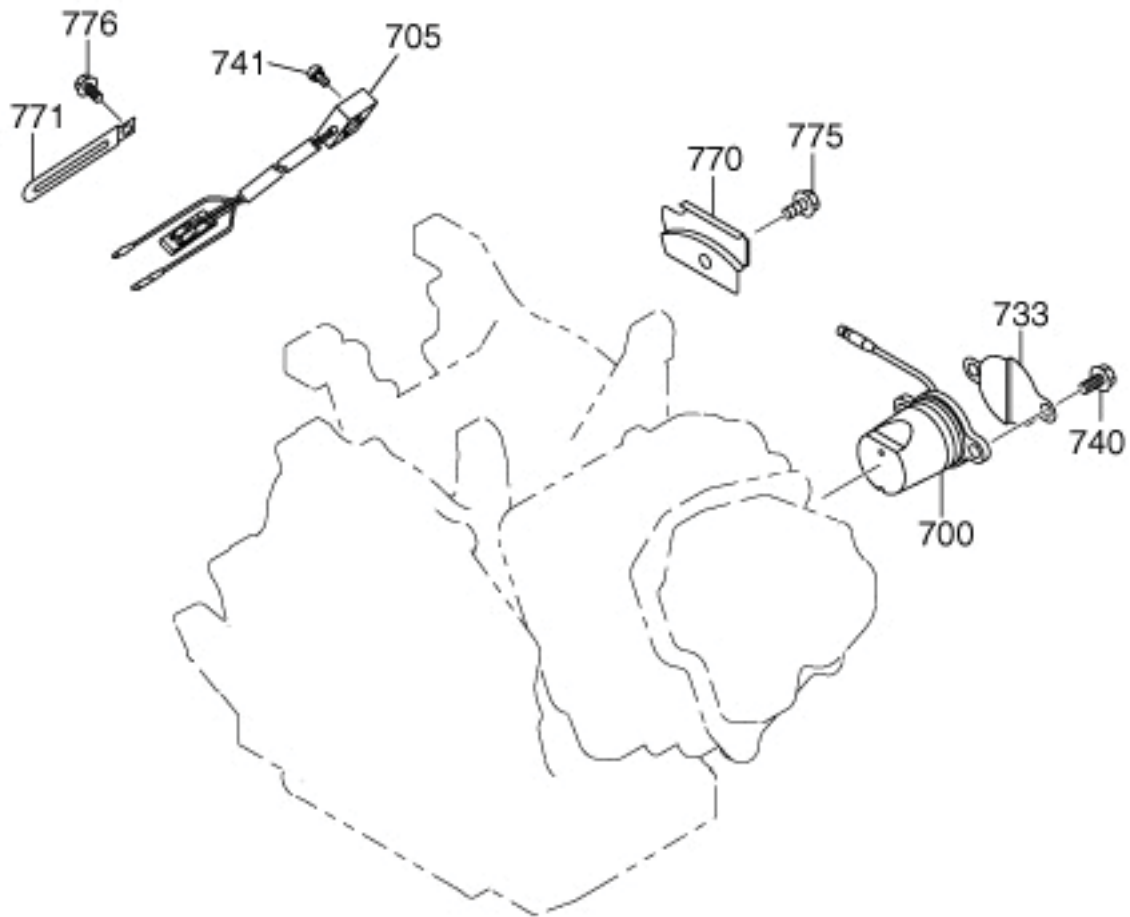
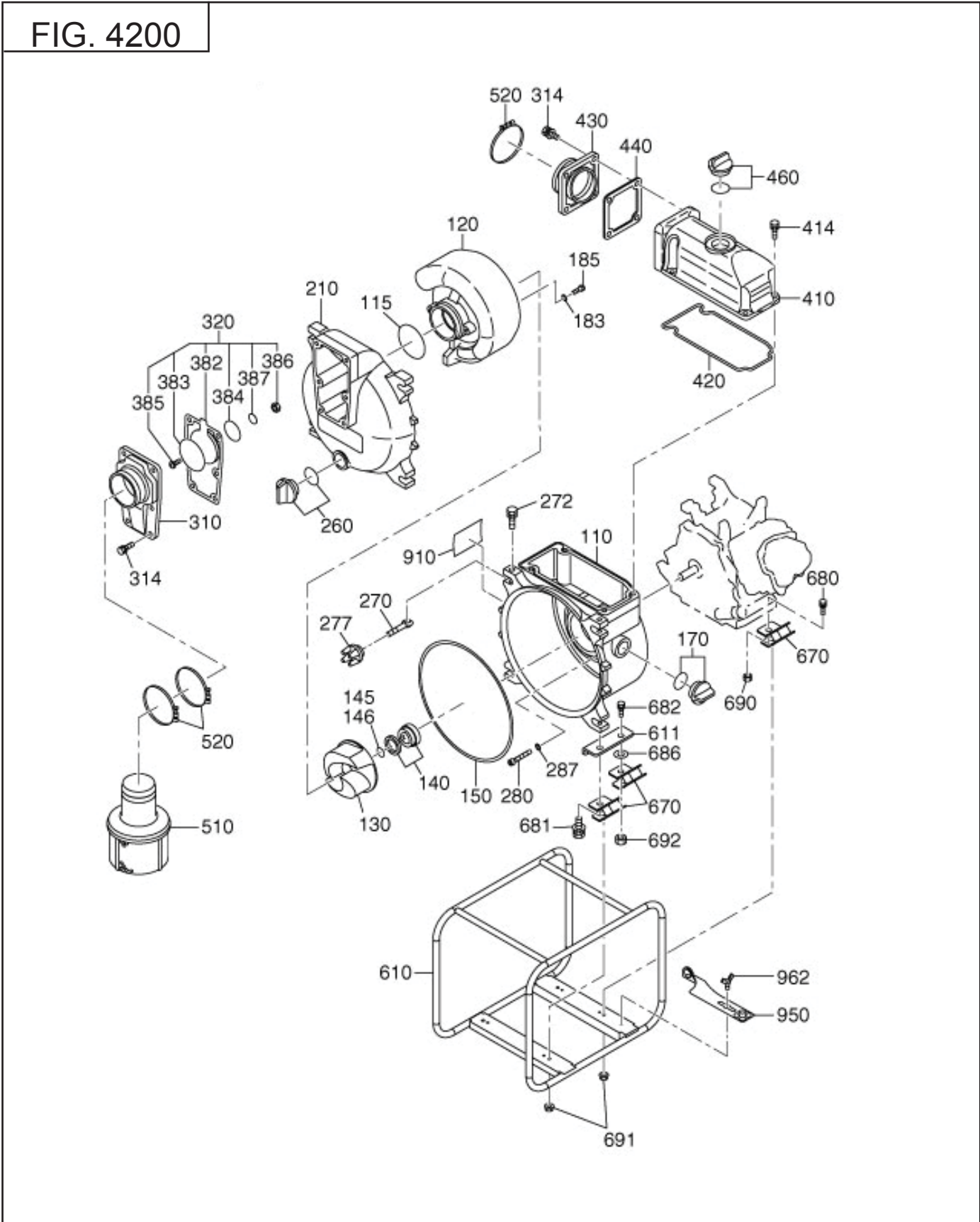




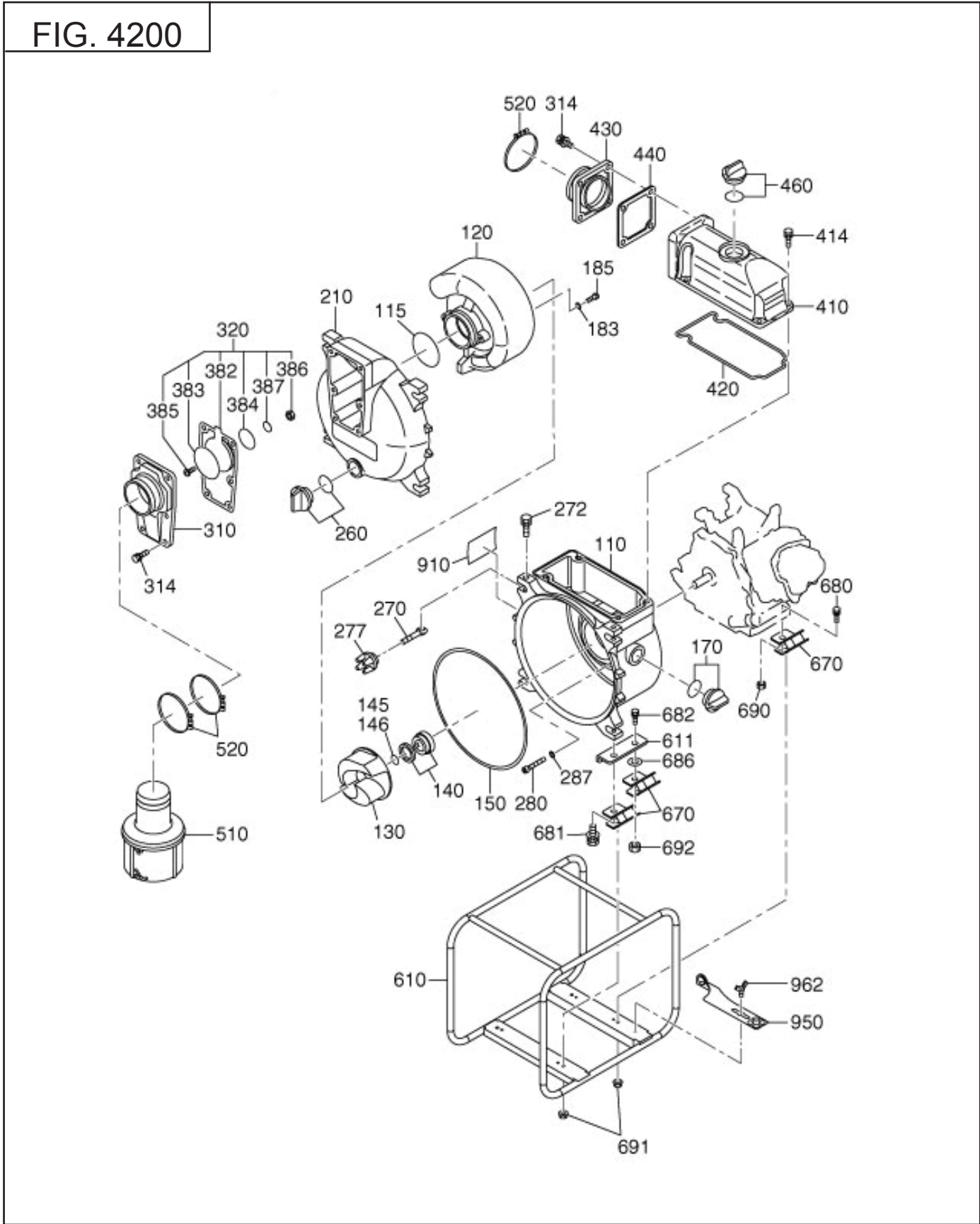
FIG. 42 PUMP GROUP



## FIG. 42 PUMP GROUP

Ref.	Part Number	Description	Qty	Remarks	To-From	Fig.
110	470-01218-90	CASING	1		-	4200
115	470-01162-70	O RING	1		-	4200
120	470-01164-88	INNER CASING	1		-	4200
130	470-01156-26	IMPELLER	1		-	4200
140	470-01156-78	MECHANICAL SEAL	1		-	4200
145	470-01105-61	ADJUSTING WASHER	2		-	4200
146	470-01164-05	ADJUSTING WASHER	2		-	4200
150	470-01155-79	FRONT COVER PACKING	1		-	4200
170	470-01180-79	PLUG AY	1		-	4200
183	470-01215-40	WASHER	3		-	4200
185	470-01215-39	SOCKET BOLT	3		-	4200
210	470-01166-12	FRONT COVER	1		-	4200
260	470-01180-79	PLUG AY	1		-	4200
270	470-01155-80	COVER BOLT	4		-	4200
272	471-00000-73	BOLT & WASHER AY	2	M12X45L	-	4200
277	470-01155-90	KNOB	4		-	4200
280	470-01164-92	SOCKET BOLT	4		-	4200
287	470-01164-93	WASHER	4	8D	-	4200
310	470-01115-79	SUCTION FRANGE	1		-	4200
314	471-00000-42	BOLT & WASHER AY	10		-	4200
320	470-01182-61	CHECK VALVE SET	1		-	4200
382	470-01107-51	PACKING,CHECK VALVE	1		-	4200
383	470-01112-16	OUTER WEIGHT	1		-	4200
384	470-01104-74	INNER WEIGHT	1		-	4200
385	471-00000-83	SCREW	1		-	4200
386	471-00000-57	NUT	1	M8	-	4200
387	471-00000-68	SPRING WASHER	1	8D	-	4200
410	470-01161-48	DELIVERY HOUSING	1		-	4200
414	471-00000-34	BOLT & WASHER AY	4	M10X30L	-	4200
420	470-01155-48	HEAD PACKING	1		-	4200
430	470-01129-96	DELIVERY FLANGE	1		-	4200
440	470-01107-50	DELIVERY FLANGE PACK	1		-	4200
460	470-01184-50	PLUG AY	1		-	4200
510	470-01109-79	STRAINER	1		-	4200
520	471-00000-48	HOSE BAND	3		-	4200
610	470-01284-51	FRAME	1		-	4200
611	470-01162-73	RUBBER MOUNT	2		-	4200
670	470-01161-72	CUSHION RUBBER	6		-	4200
680	471-00000-36	BOLT & WASHER AY	2		-	4200
681	471-00000-81	BOLT & WASHER AY	2		-	4200
682	471-00000-33	BOLT & WASHER AY	2		-	4200
686	471-00000-82	WASHER	2		-	4200
690	471-00000-38	NUT	2	M10	-	4200
691	471-00000-76	NUT	6	M8	-	4200
692	471-00000-45	NUT	2	M12	-	4200
910	470-01219-01	LABEL(PUMP NAME)	1		-	4200

FIG. 42 PUMP GROUP





PRINTED IN THE USA

## Robin America, Inc

905 Telsler Road • Lake Zurich, IL 60047  
Phone: 847-540-7300 • Fax: 847-438-5012  
e-mail: [sales@subarupower.com](mailto:sales@subarupower.com) • [www.subarupower.com](http://www.subarupower.com)



## Free Manuals Download Website

<http://myh66.com>

<http://usermanuals.us>

<http://www.somanuals.com>

<http://www.4manuals.cc>

<http://www.manual-lib.com>

<http://www.404manual.com>

<http://www.luxmanual.com>

<http://aubethermostatmanual.com>

Golf course search by state

<http://golfingnear.com>

Email search by domain

<http://emailbydomain.com>

Auto manuals search

<http://auto.somanuals.com>

TV manuals search

<http://tv.somanuals.com>