

# PARTS MANUAL

Model

**RGX7500 & RGX7500E  
GENERATORS**

PUB-EP  
Rev. 03/12



**Industrial Power Products**

Robin America, Inc.

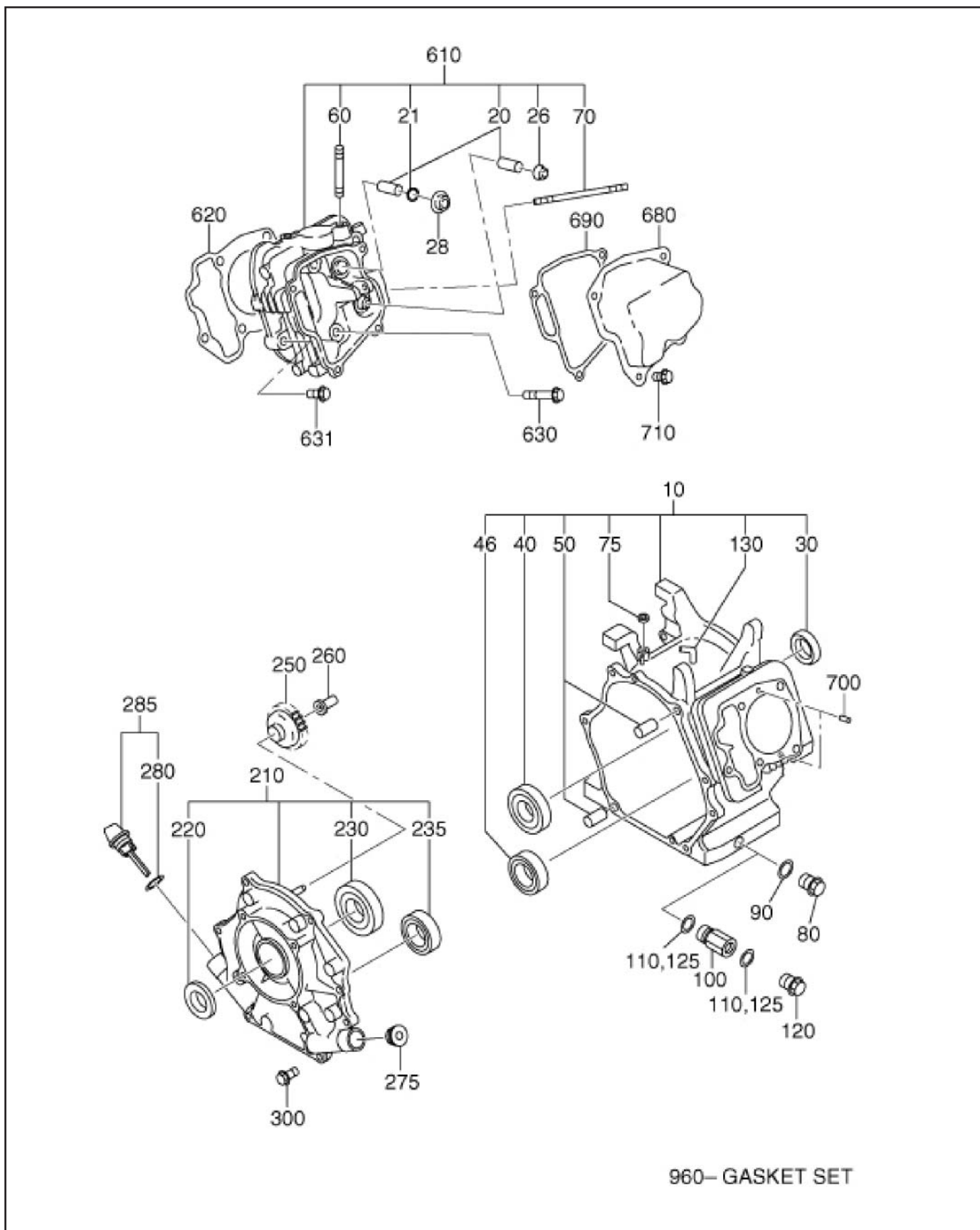
905 Telsler Road • Lake Zurich, IL 60047 • Phone: 847-540-7300 • Fax: 847-438-5012  
e-mail: sales@subarupower.com • www.subarupower.com

© Copyright 2012 Robin America, Inc.

# GROUP INDEX

<b>Group Name</b>	<b>Page</b>
CRANKCASE GROUP .....	4
CRANKSHAFT GROUP .....	8
INTAKE and EXHAUST GROUP .....	10
GOVERNOR GROUP .....	14
COOLING and STARTING GROUP .....	16
FUEL, LUBRICATION GROUP .....	18
ELECTRIC.....	22

**FIG. 1 CRANKCASE GROUP**



**FIG. 1 CRANKCASE GROUP**

Ref.	Part Number	Description	Qty	Remarks	Model
10	20B-10104-31	CRANK CASE CP	1		
20	20B-14202-03	VALVE GUIDE	2		
21	056-51000-50	CLIP	1	10.7DX0.9D	
26	132-11AA1-10	SEAL-EXH VALVE	1		
28	263-35341-03	RETAINER PLATE	1	11DX17.3DX27DX4.7H	
30	044-03500-91	OIL SEAL	1	35DX48DX8B	
40	X60-03502-40	BALL BEARING	1		
50	277-15011-03	PIPE KNOCK	2	10.3DX8.5DX14L	
60	010-50802-90	STUD	2	M8X1.25X30L	
70	010-50603-51	STUD	2	M6X1.0X98L	
75	044-00800-10	OIL SEAL	1	8DX14DX4B	
80	040-11400-30	PLUG	2	M14X1.5X20DX12L	
90	021-11400-20	GASKET	2	14.1DX19DX2.3T	
210	20B-11004-21	MAINBEARING COVER CP	1		
220	044-03500-91	OIL SEAL	1	35DX48DX8B	
230	X60-03502-40	BALL BEARING	1		
250	20B-45003-11	GOVERNOR GEAR CP	1		
260	277-41902-01	GOVERNOR SLEEVE CP	1		
280	021-32000-50	GASKET	2	20DX27DX1.5T	
285	279-63601-30	OIL GAUGE AY	2		
300	011-00803-40	FLANGE BOLT	8	M8X1.25X17DX38L	
610	20B-13001-00	CYLINDER HEAD AY	1		
620	20B-15001-33	GASKET(HEAD)	1		
630	011-01000-40	FLANGE BOLT	4	M10X1.25X19DX75L	
631	001-04083-50	FLANGE BOLT	2	M8X1.25X16DX35L	
680	20B-15501-01	ROCKER COVER CP	1		
690	20B-16001-03	GASKET(ROCKER COVER)	1		
700	031-00600-10	DOWEL PIN	2	6DX14.8L	
710	011-00600-20	FLANGE BOLT	4	M6X1.0X14DX12L	
960	20B-99001-27	GASKET SET	1		

FIG. 2 CRANKSHAFT GROUP

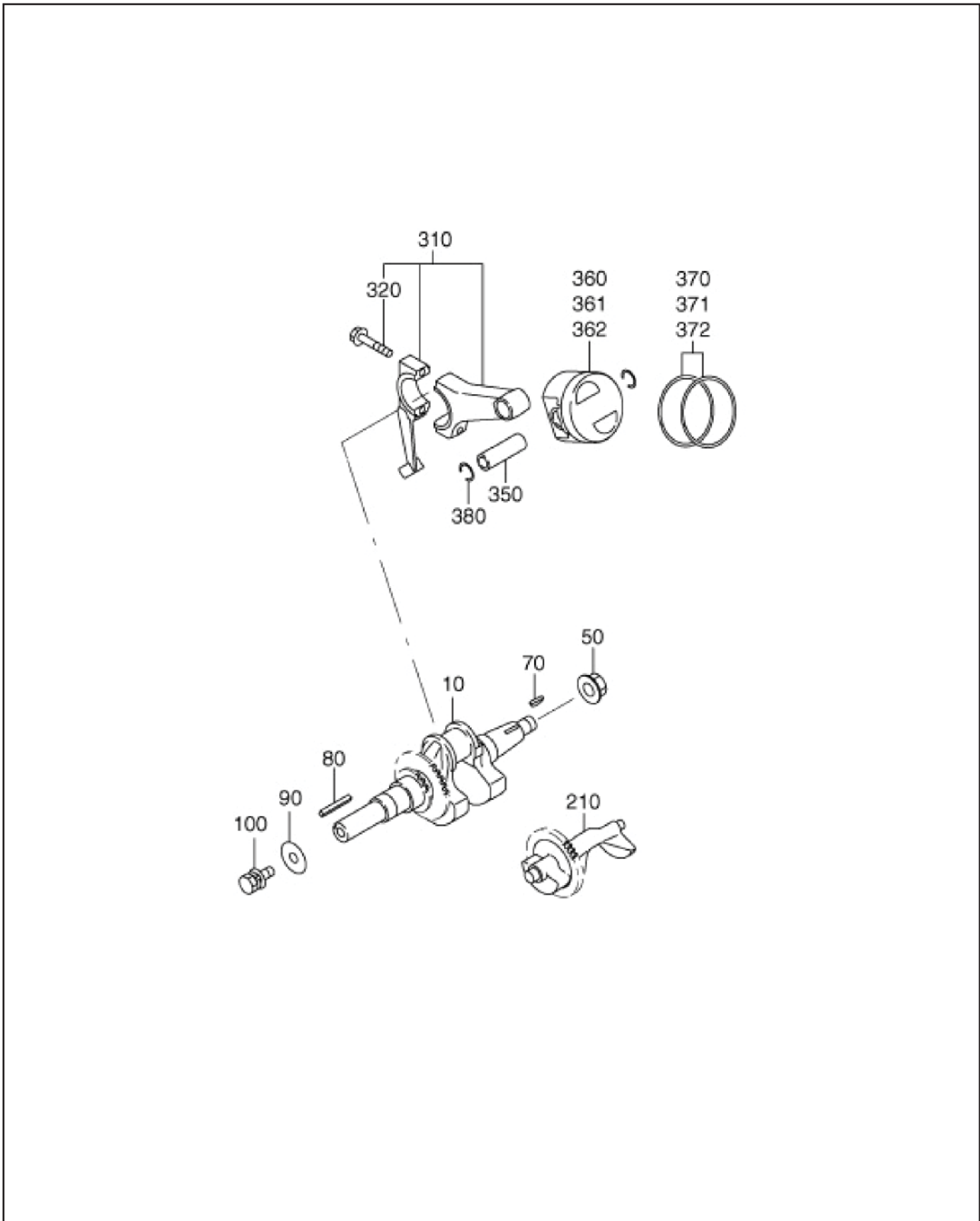
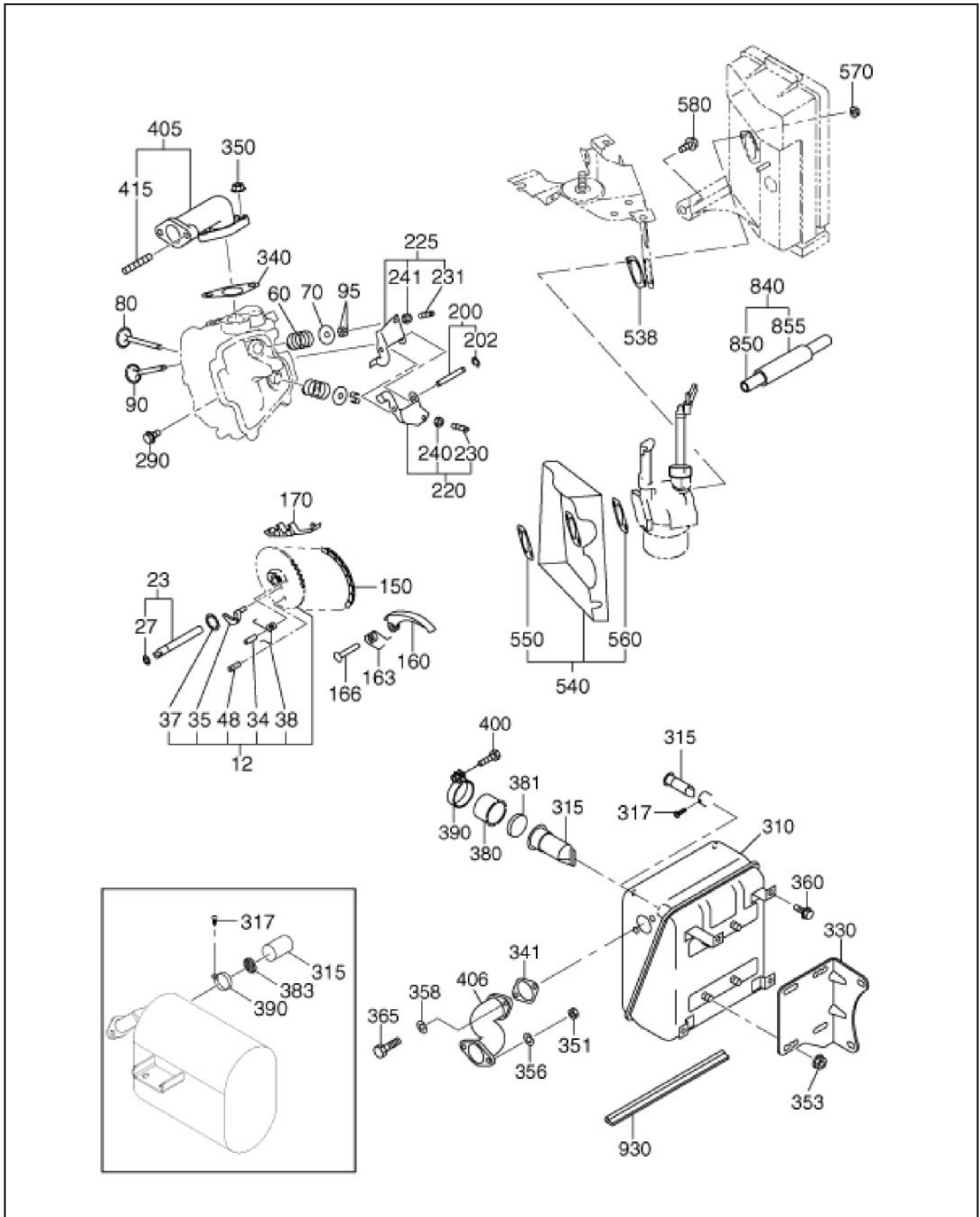




FIG. 3 INTAKE and EXHAUST GROUP

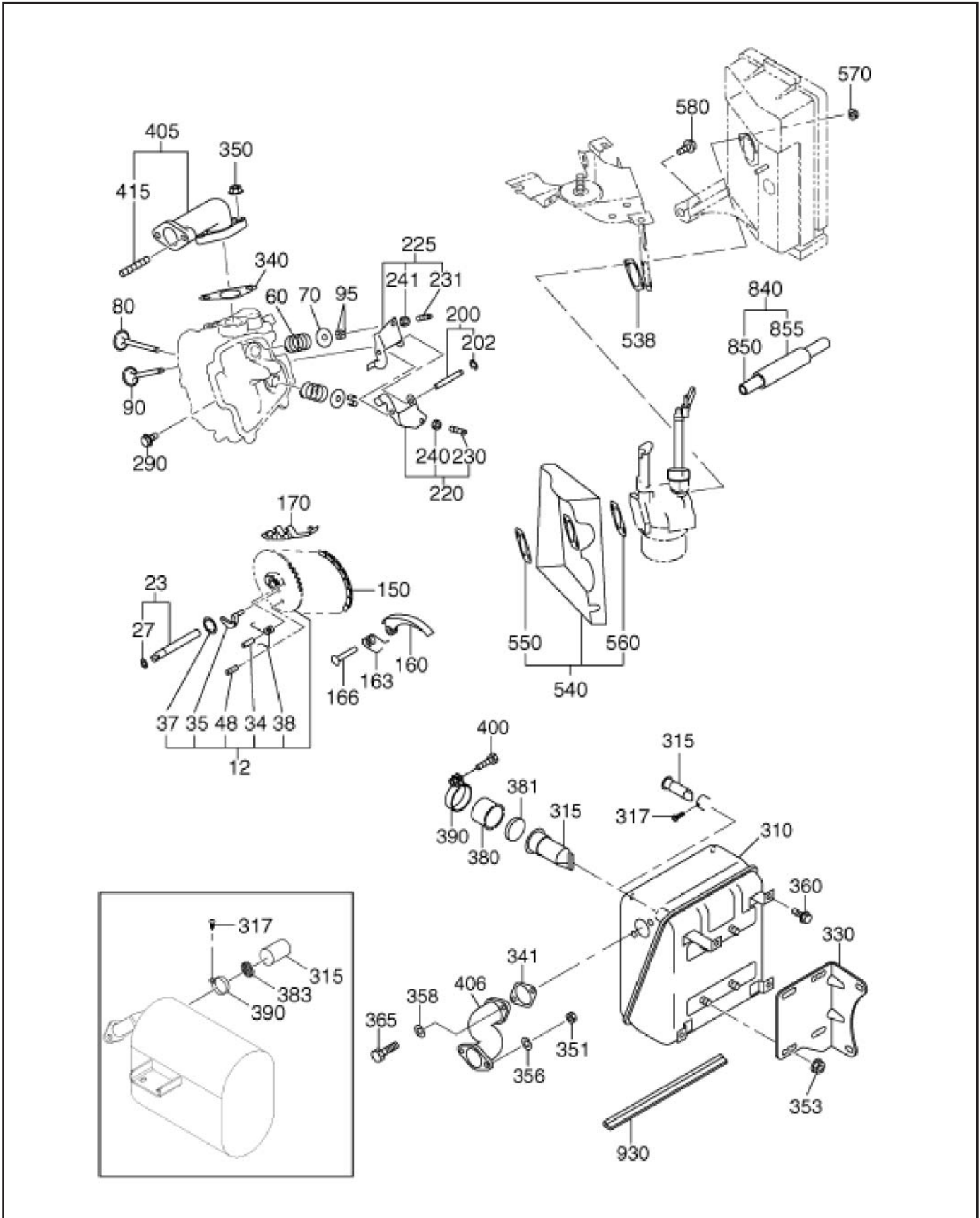




**FIG. 3 INTAKE and EXHAUST GROUP**

Ref.	Part Number	Description	Qty	Remarks	Model
12	20B-31602-10	CAMSHAFT AY	1		
23	20B-35101-21	PIN(CAM SHAFT)CP	1		
27	024-00700-21	O-RING	1		
34	005-19041-00	SPRING PIN	1	4.4DX10LX0.8T	
35	277-36401-03	RELEASE LEVER	1		
37	20B-36501-03	CLIP	1		
38	20B-38701-03	RETURN SPRING	1		
48	031-80500-20	ROLL PIN	1		
60	246-33611-03	VALVE SPRING	2	22.2DX2.9DX37L N=6.5	
70	246-33711-13	SPRING RETAINER	2	7.6DX26DX8T	
80	20B-33401-H3	INTAKE VALVE	1		
90	20B-33501-H3	EXHAUST VALVE	1		
95	246-35501-03	COLLET-VALVE	4		
150	20B-35601-H1	TIMING CHAIN CP	1		
160	277-36911-03	TENTIONER	1		
163	277-37101-03	SPRING(TENTIONER)	1	10DX1.8DX14L N=4.5	
166	277-36902-03	PIN(TENTIONER)	1	6DX13DX34L	
170	277-36913-13	CHAIN GUIDE	1		
200	20B-35001-01	PIN(ROCKER)CP	1		
202	003-13060-00	CLIP	1	6DX12DX0.8T	
220	20B-36101-00	ROCKER ARM(IN) AY	1		
225	20B-36102-10	ROCKER ARM(EX) AY	1		
230	014-90500-20	ADJUST SCREW	1	M5X0.5X23L	
231	014-90500-20	ADJUST SCREW	1	M5X0.5X23L	
240	017-00500-30	NUT	1	M5X0.5X4.1H	
241	017-00500-30	NUT	1	M5X0.5X4.1H	
290	011-00600-10	FLANGE BOLT	1	M6X1.0X14DX8L	
310	36D-11001-11	MUFFLER CP	1		
315	267-37602-01	SPARK ARRESTER CP	1		
317	015-00400-60	TAPPING SCREW	1	M4X6L	
330	31H-15002-03	MUFFLER BRACKET	1		
340	20B-35201-13	GASKET(MUFFLER)	1		
341	270-35201-01	GASKET CP (MUFFLER)	2	T=0.4 30D 8.5DX52P	
350	002-38080-00	FLANGE NUT	2	M8X1.25X17DX7.5H	
351	002-18080-00	NUT	2	M8X1.25X6.5H	
353	002-38080-00	FLANGE NUT	4	M8X1.25X17DX7.5H	
356	003-20080-00	SPRING WASHER	2	8.2DX15.4DX2T	
358	020-30800-10	SPRING WASHER	2	8.2DX15.4DX2T	
365	010-30800-70	BOLT	2	M8X1.25X20L	
405	20B-34001-01	EXHAUST PIPE CP	1		
406	35G-14001-01	EXHAUST PIPE CP	1		
415	010-50802-90	STUD	2	M8X1.25X30L	
538	20B-35903-13	GASKET 3	1		
540	20B-32901-J1	INSULATOR CP	1		
550	20B-35902-H3	GASKET 2	1		
560	20B-35901-H3	GASKET 1	1		

FIG. 3 INTAKE and EXHAUST GROUP





**FIG. 3 INTAKE and EXHAUST GROUP**

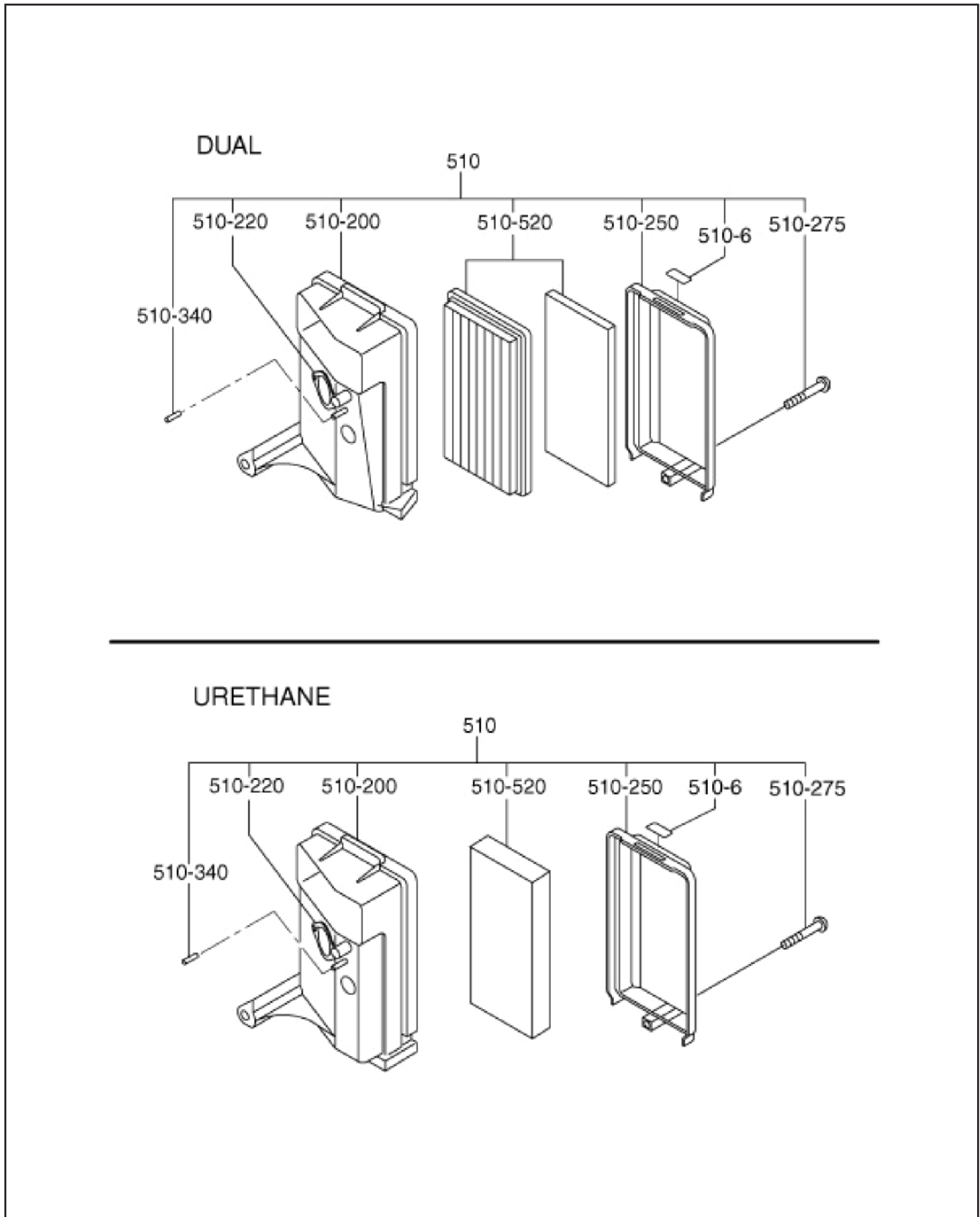




FIG. 4 GOVERNOR GROUP

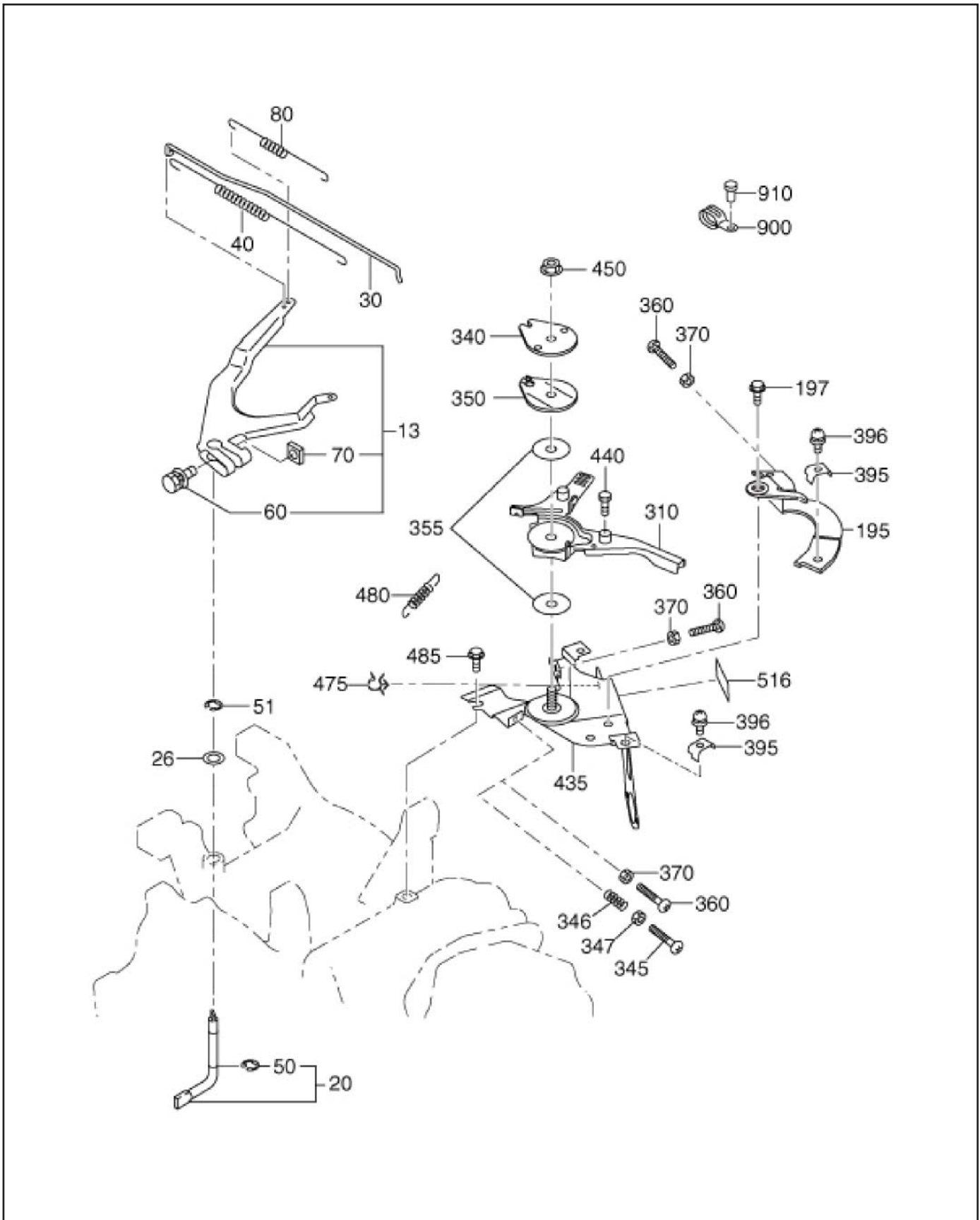
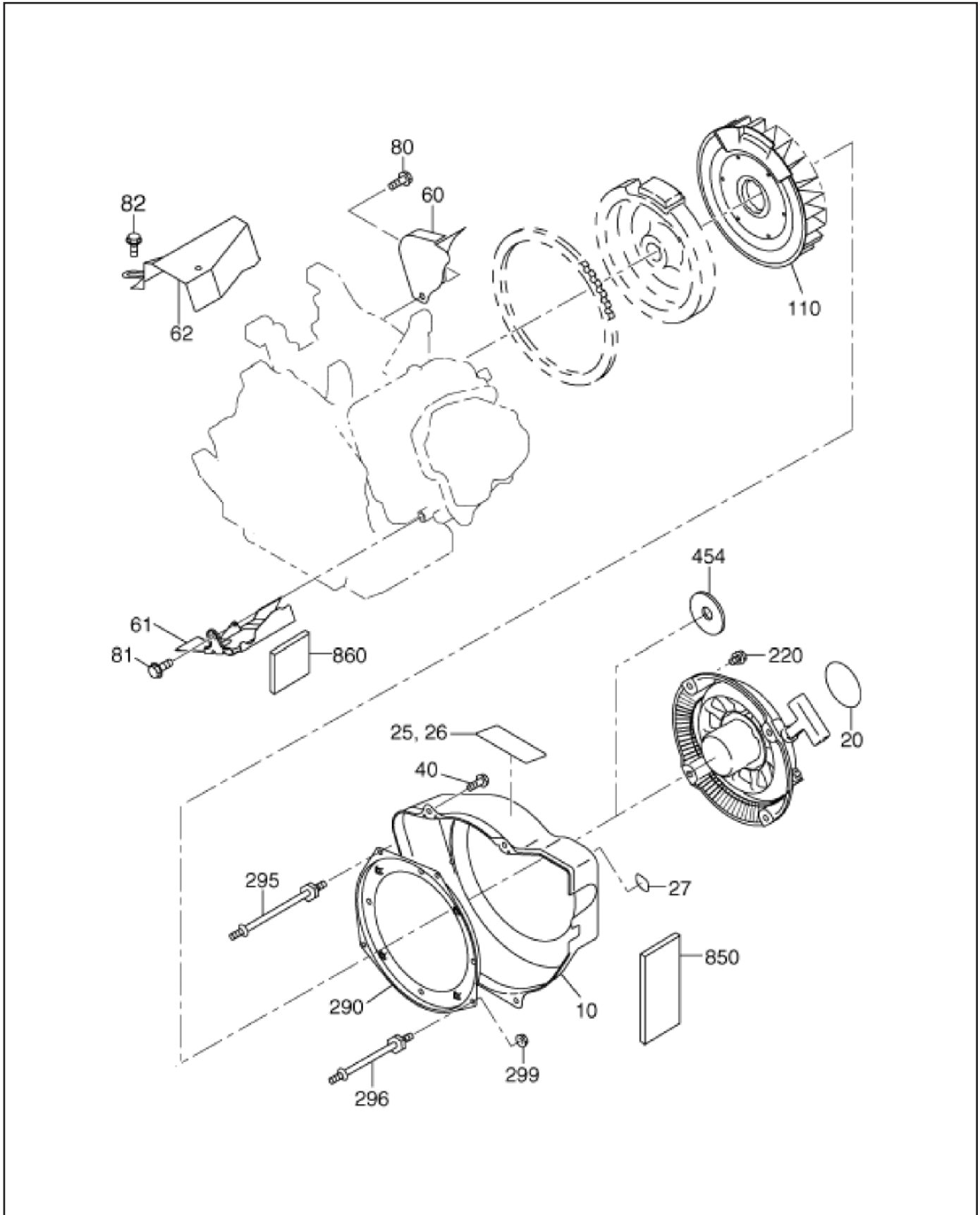




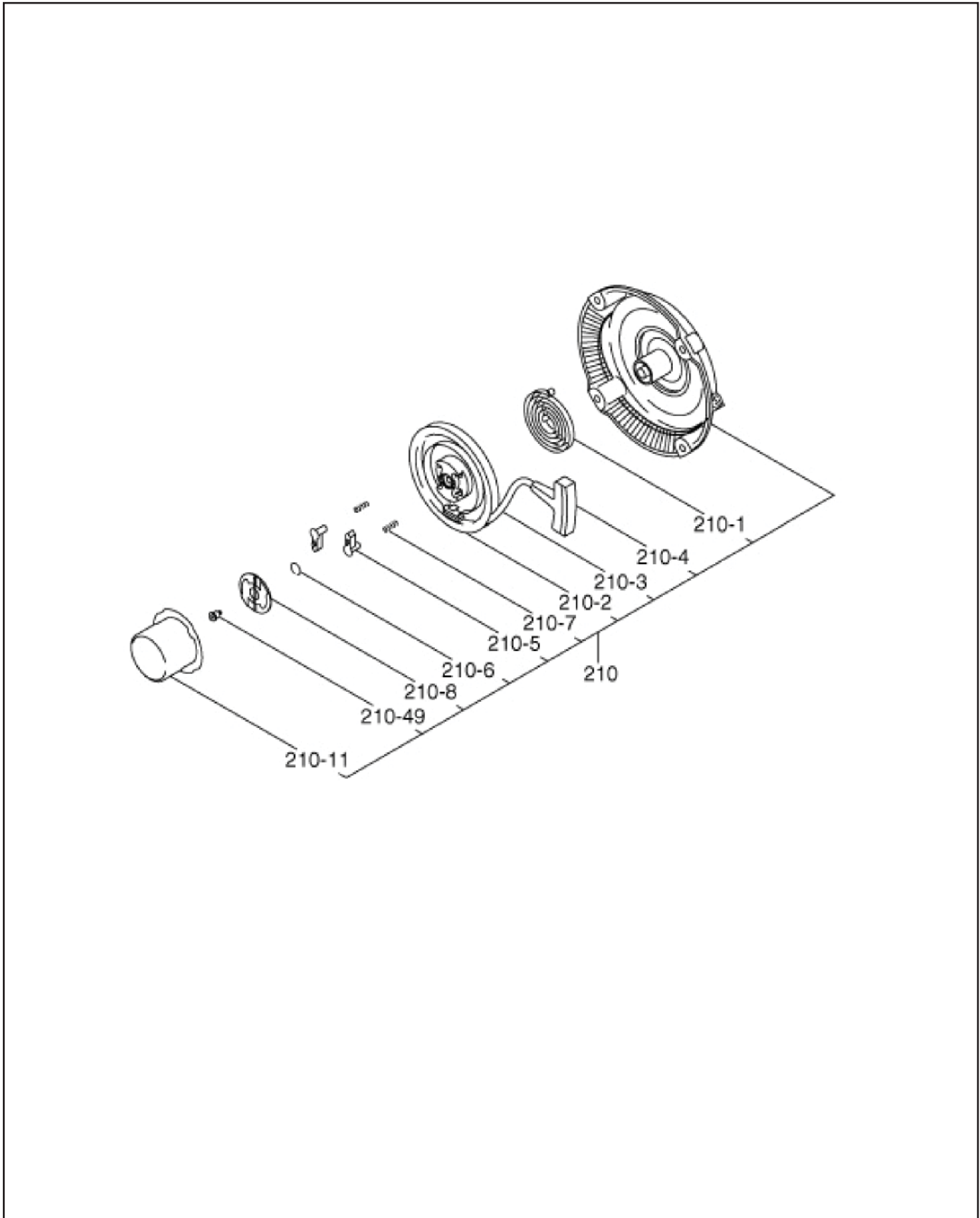
FIG. 5 COOLING and STARTING GROUP







**FIG. 5 COOLING and STARTING GROUP**





**FIG. 6 FUEL LUBRICANT GROUP**

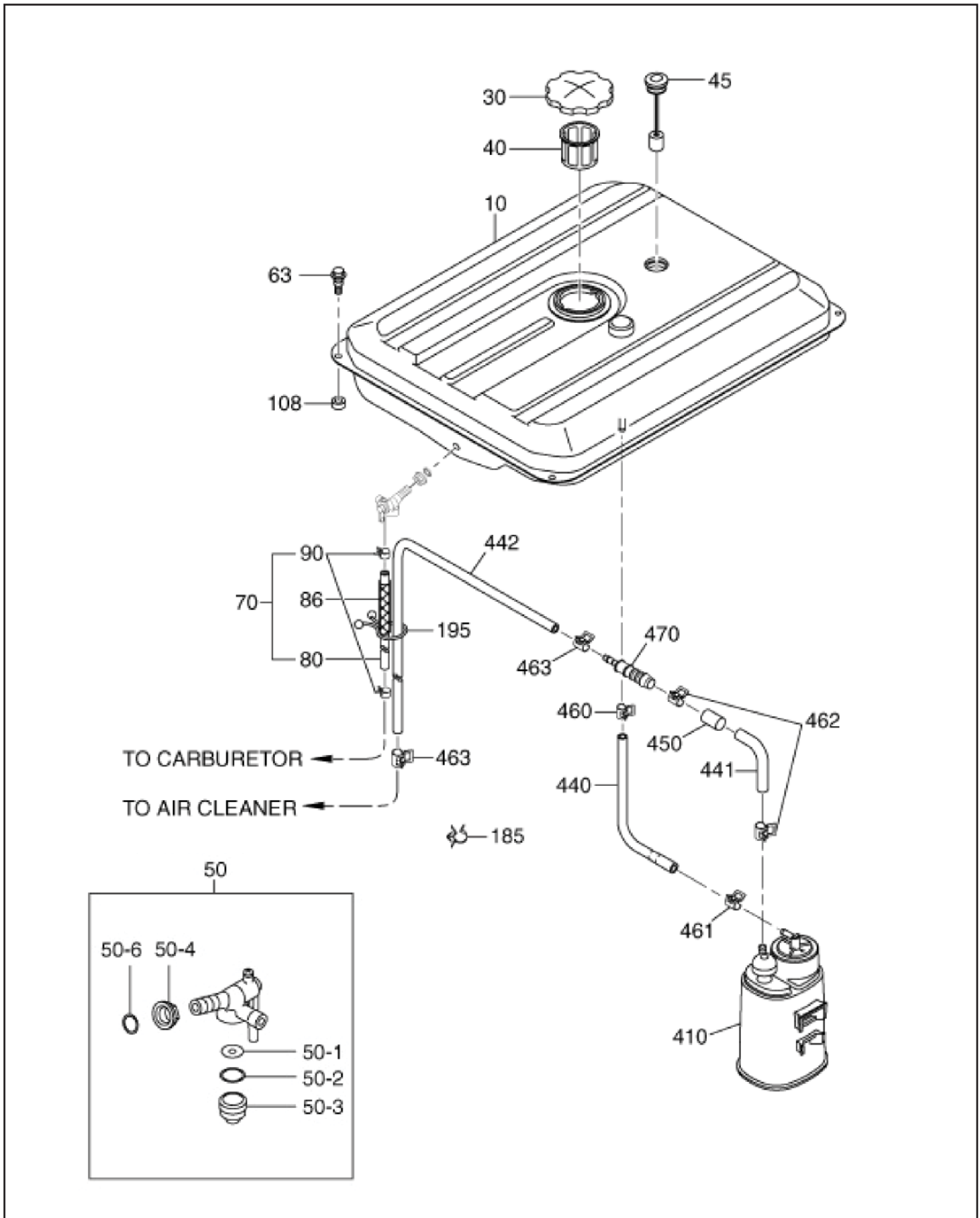








FIG. 7 ELECTRIC GROUP

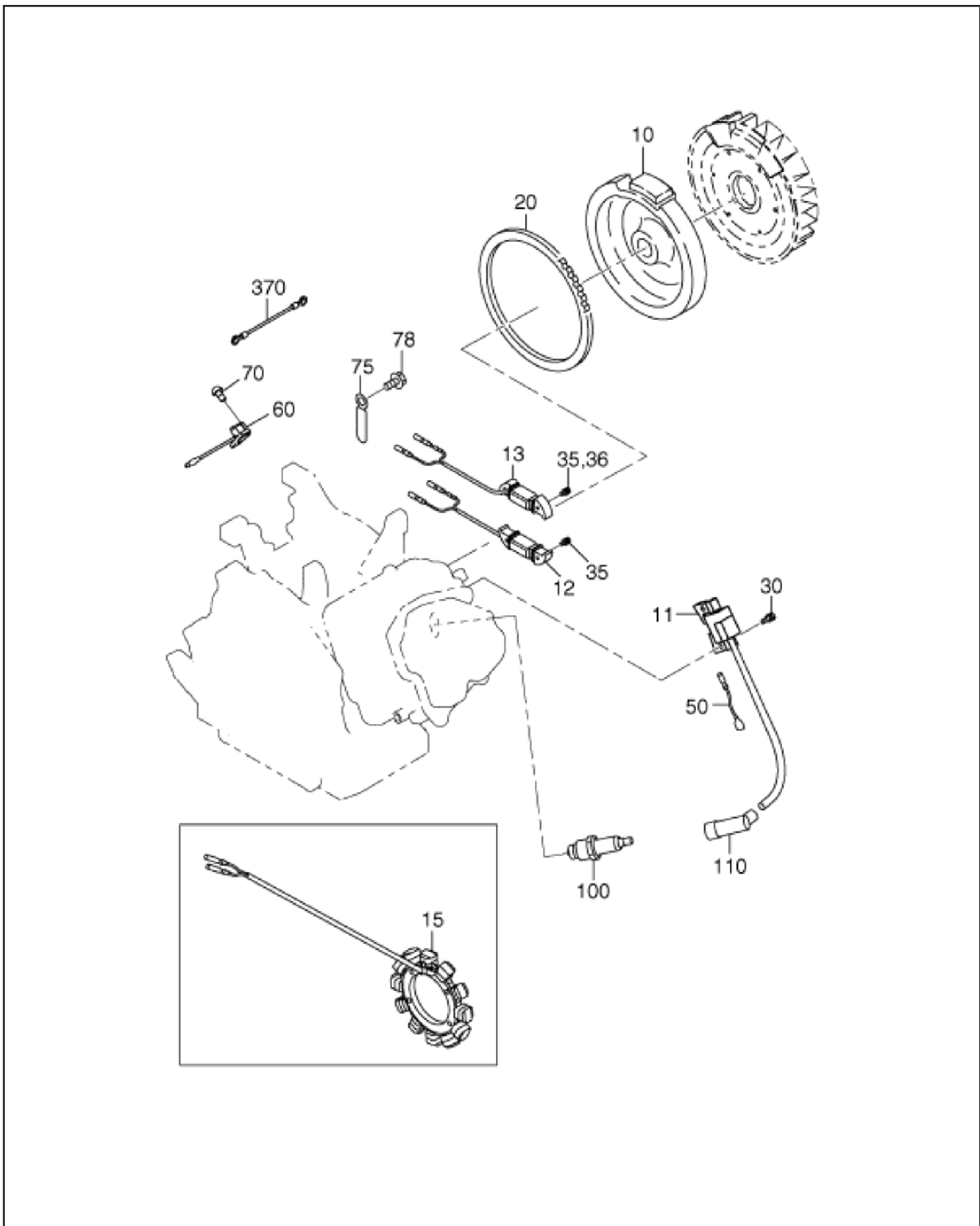
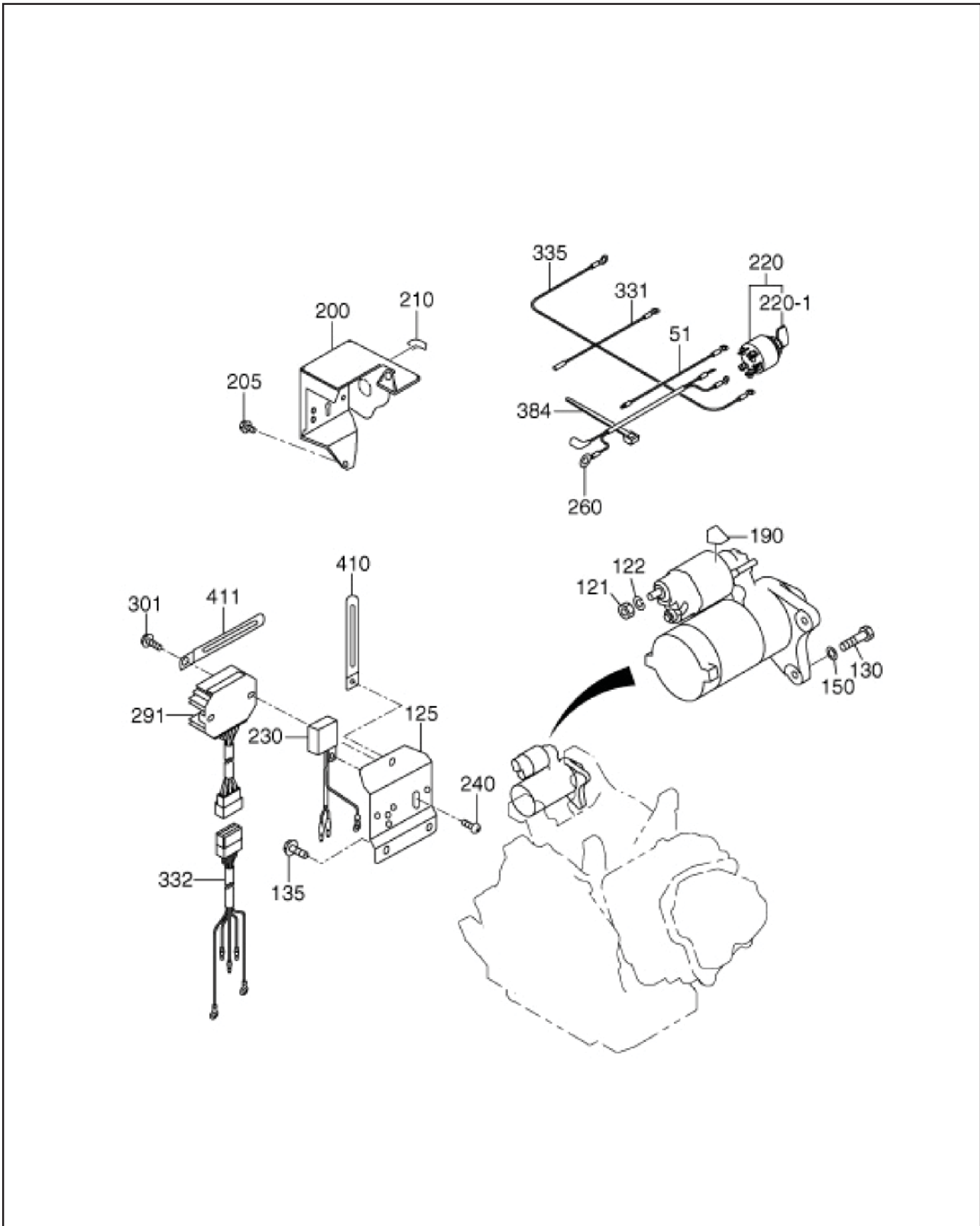




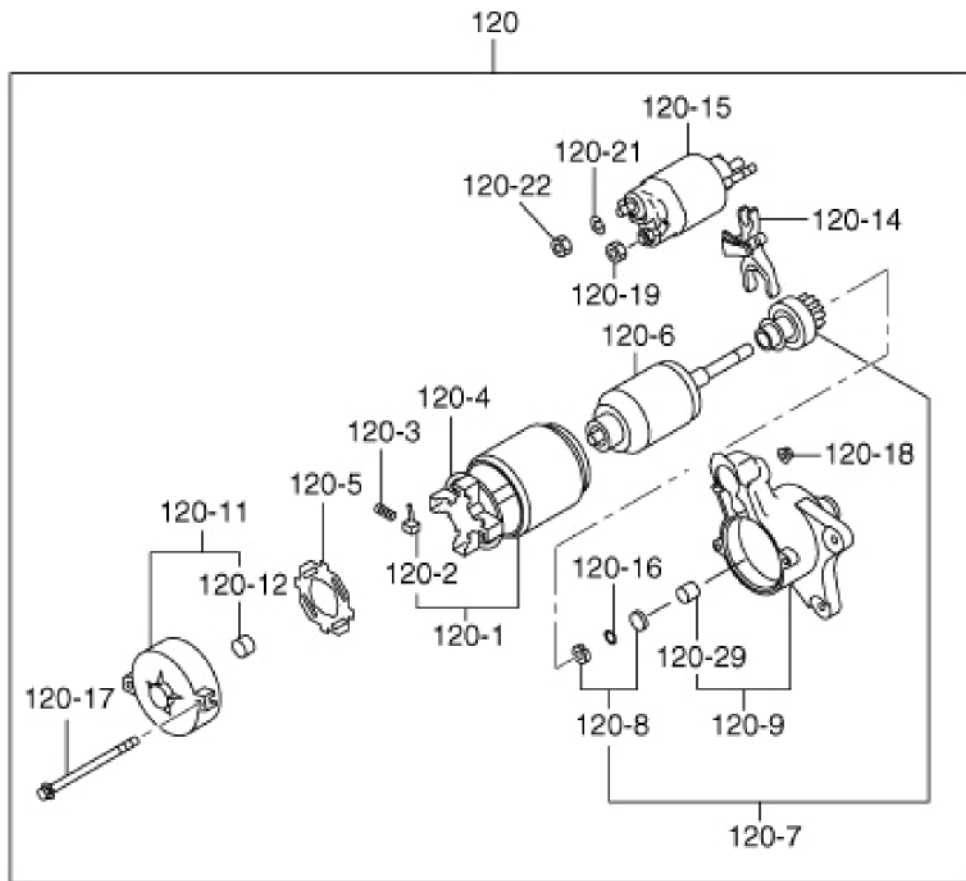


FIG. 7 ELECTRIC GROUP



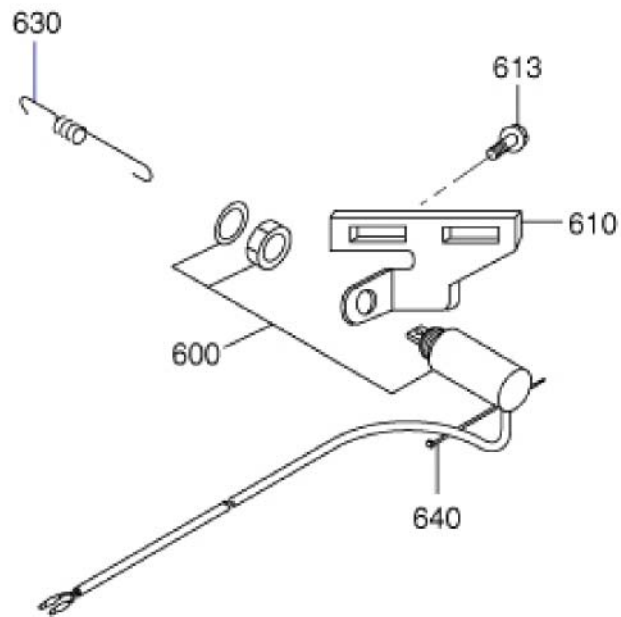


**FIG. 7 ELECTRIC GROUP**



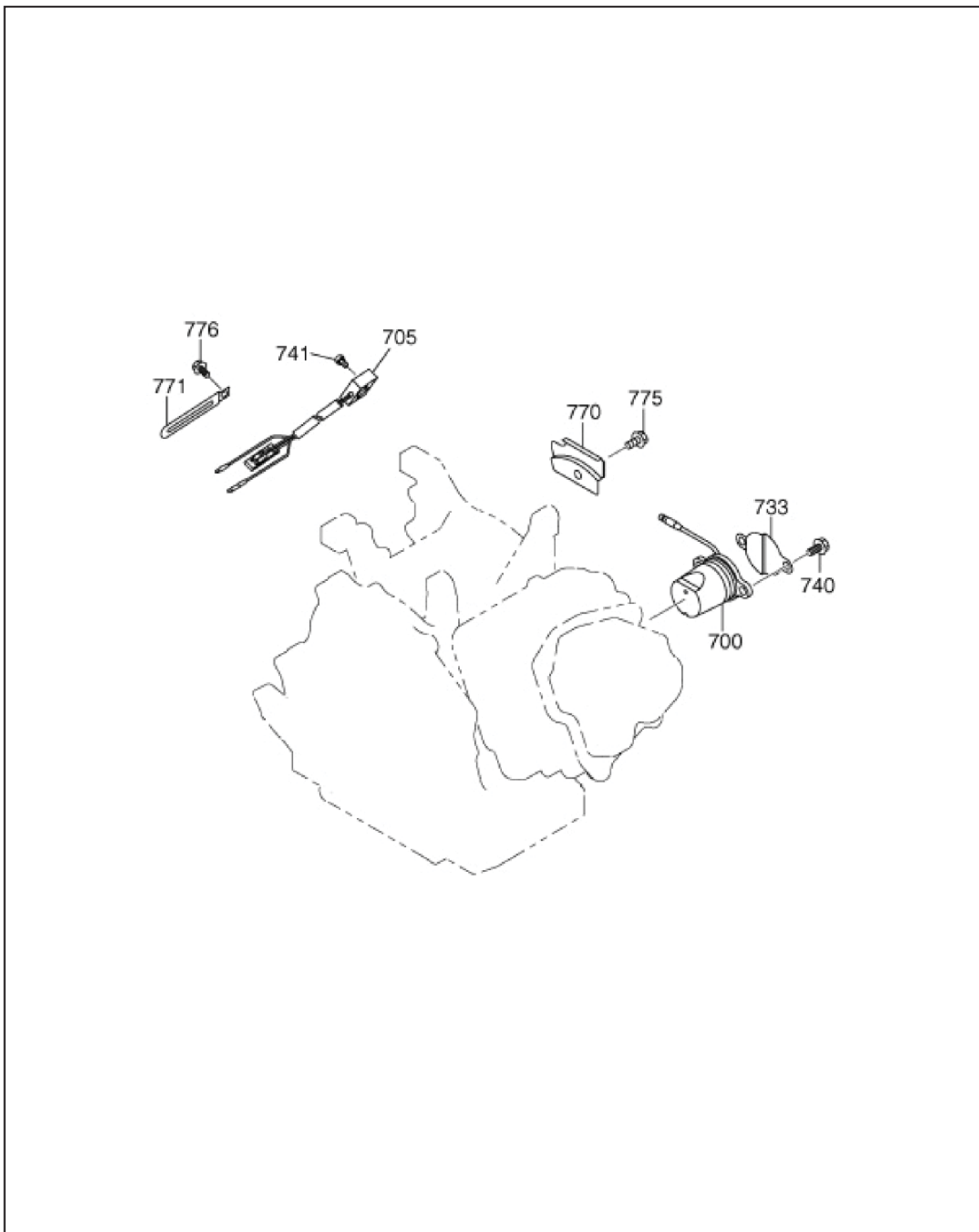


**FIG. 7      ELECTRIC GROUP**





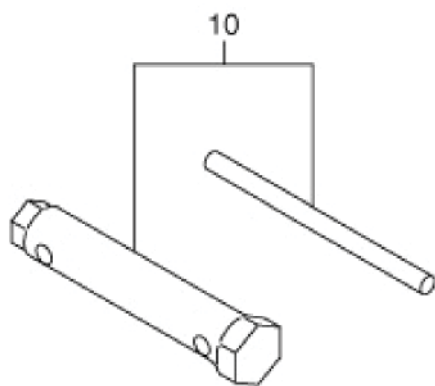
**FIG. 7**      **ELECTRIC GROUP**







**FIG. 9      ACCESSORY GROUP**





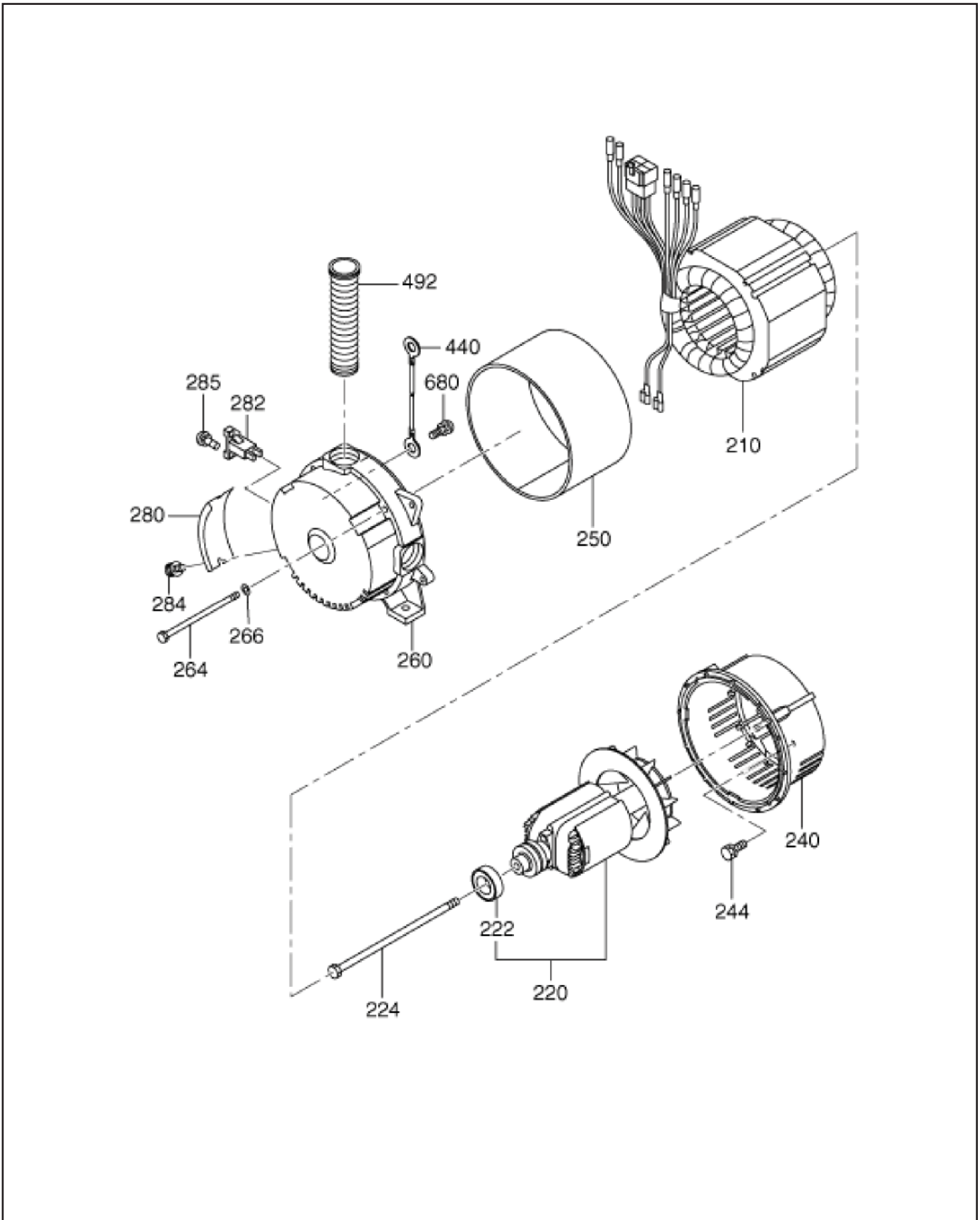
**FIG. 10 SHIP LOOSE**

(Illustrations are excluded.)

(**FIG 1000**は単独発送部品につき、  
イラストは省略します。)



FIG. 22 GROUP





**FIG. 23 GROUP**

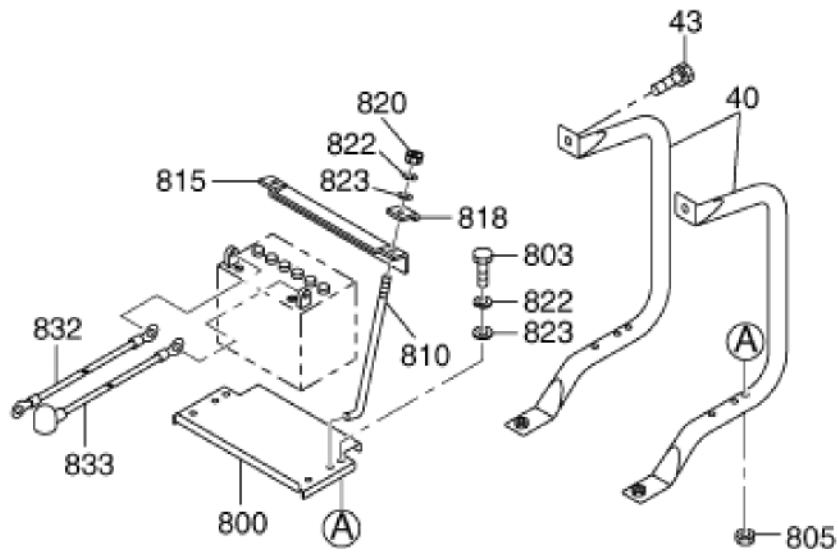
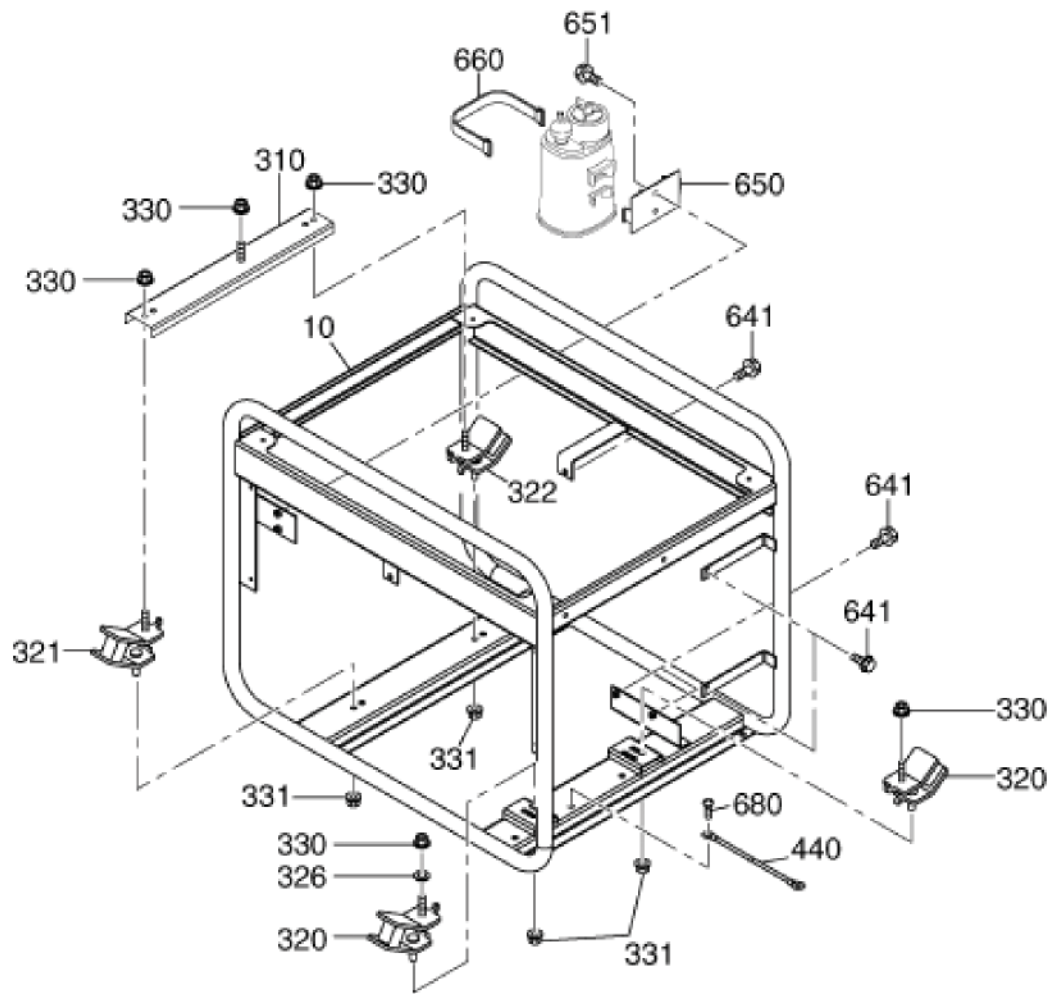
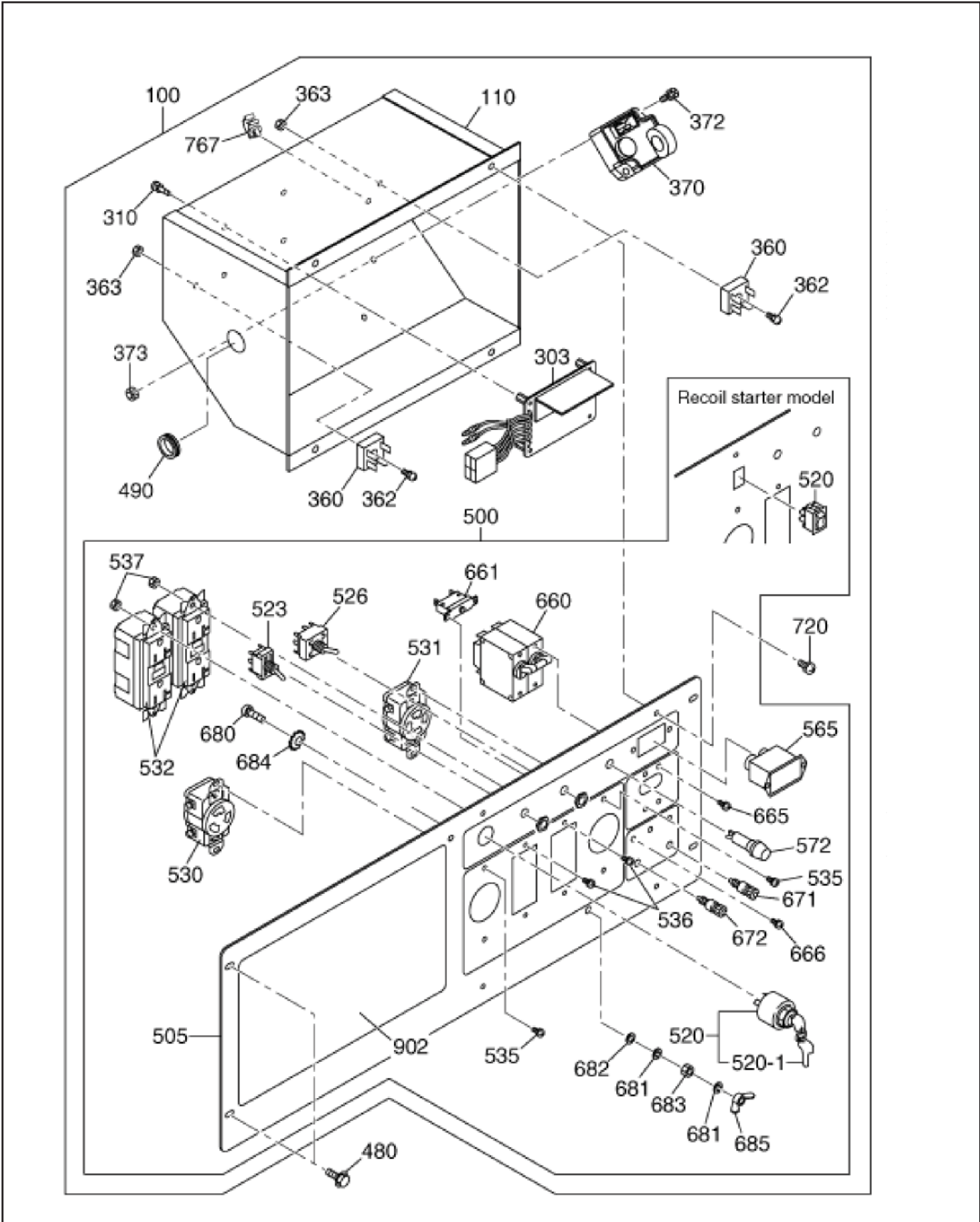






FIG. 24 GROUP



**FIG. 24 GROUP**

Ref.	Part Number	Description	Qty	Remarks	Model
100	35H-70103-00	CONTROL BOX AY	1		
110	35G-71101-02	CONTROL BOX UN	1		
303	31H-74001-01	AVR UN	1		
310	392-49986-08	SCREW	4	M4X6L	
360	353-45815-08	DIODE STACK AY	1		
362	35G-72015-03	SCREW	1		
363	002-17040-00	NUT	1		
370	KU3-11015-01	IDLE C/U CP (150V)	1		
372	001-13062-00	BOLT AND WASHER AY	2		
373	002-17060-00	NUT	2	M6X1.0X5H	
480	35C-72014-03	FLANGE BOLT	5		
490	31H-75009-03	GROMMET	1		
500	35H-70203-00	CONTROL PANEL AY	1		Recoil Only
500	35H-70204-00	CONTROL PANEL AY	1		Electric Start Only
505	35G-71001-01	CONTROL PANEL	1		Recoil Only
505	35G-71002-01	CONTROL PANEL	1		Electric Start Only
520	35A-72002-03	ROCKER SWITCH	1		Recoil Only
520	066-00003-30	SWITCH	1		Electric Start Only
520-1	066-00099-80	KEY,SWITCH	2	MARK 103	Electric Start Only
523	344-45615-08	AUTO IDLE SWITCH	1		
526	355-45613-11	SWITCH AY(9P)	1		
530	35B-72003-03	AC RECEPTACLE	1	125V/30A	
531	35C-72005-03	AC RECEPTACLE	1		
532	388-85003-01	AC RECEPTACLE	2	125V-20A	
535	31C-79001-03	SCREW & WASHER AY	4		
536	351-49920-08	SCREW & WASHER AY	4		
537	002-37040-00	FLANGE NUT	4		
565	393-40651-08	HOUR METER	1	60HZ	
572	30G-45308-08	LAMP	1		
660	31H-75025-03	BREAKER	1		
661	352-45620-08	CIRCUIT PROTECTOR	1		
665	31B-79011-03	SCREW & WASHER AY	4		
666	351-49921-08	SCREW & WASHER AY	2		
671	363-45701-08	TERMINAL	1	RED 10A	
672	363-45700-08	TERMINAL	1	BLACK 10A	
680	356-49956-08	SCREW	1		
681	332-00050-08	SPRING WASHER	2		
682	353-49903-08	WASHER	1		
683	353-49902-08	NUT	1		
684	372-59950-08	LOCK WASHER	1		
685	353-49901-08	WING NUT	1		
720	31B-79012-03	BOLT AND WASHER AY	4		
767	31H-75028-03	CABLE CLIP	2		Electric Start Only
902	35H-71201-02	LABEL(MODEL)	1		

FIG. 26 GROUP

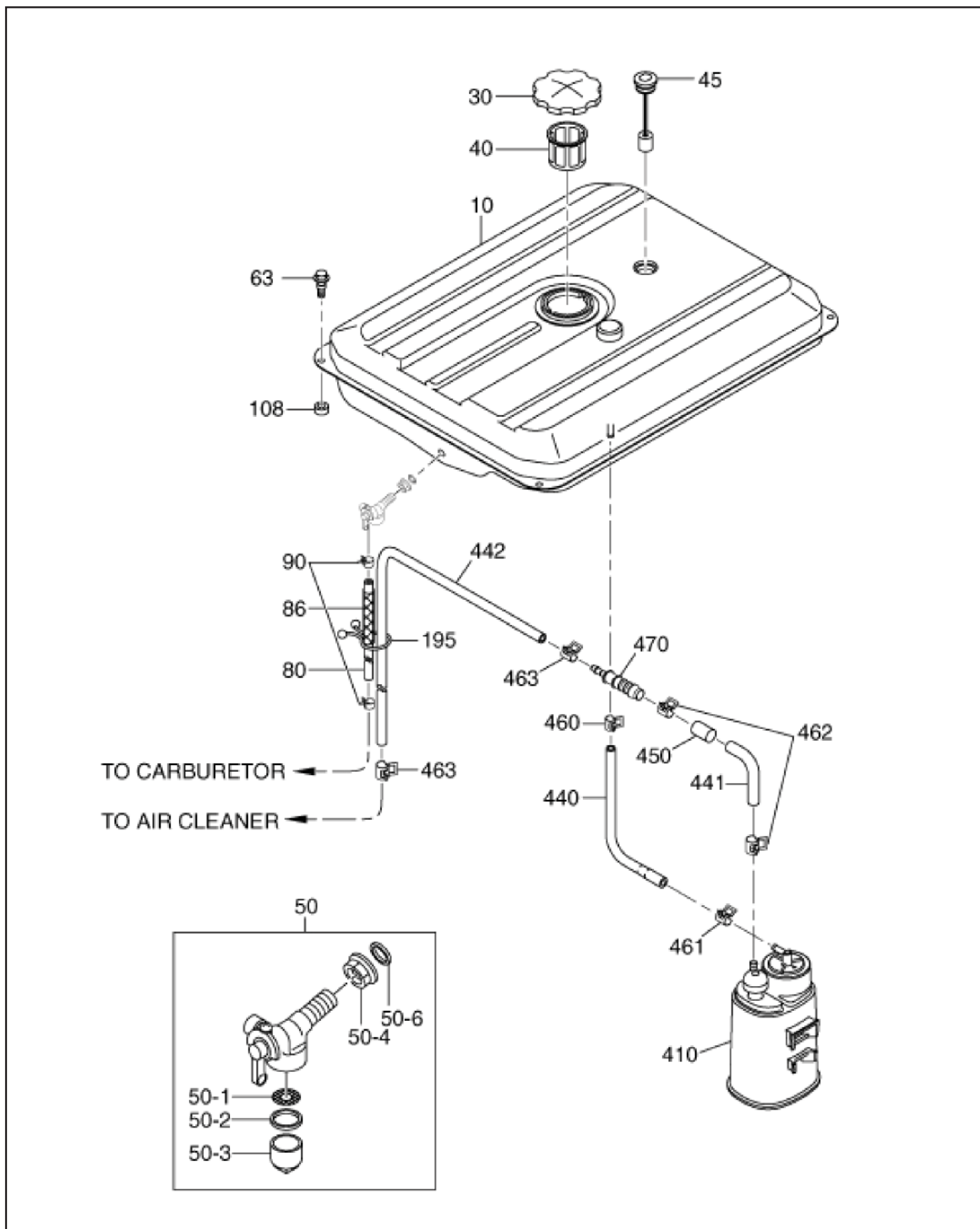
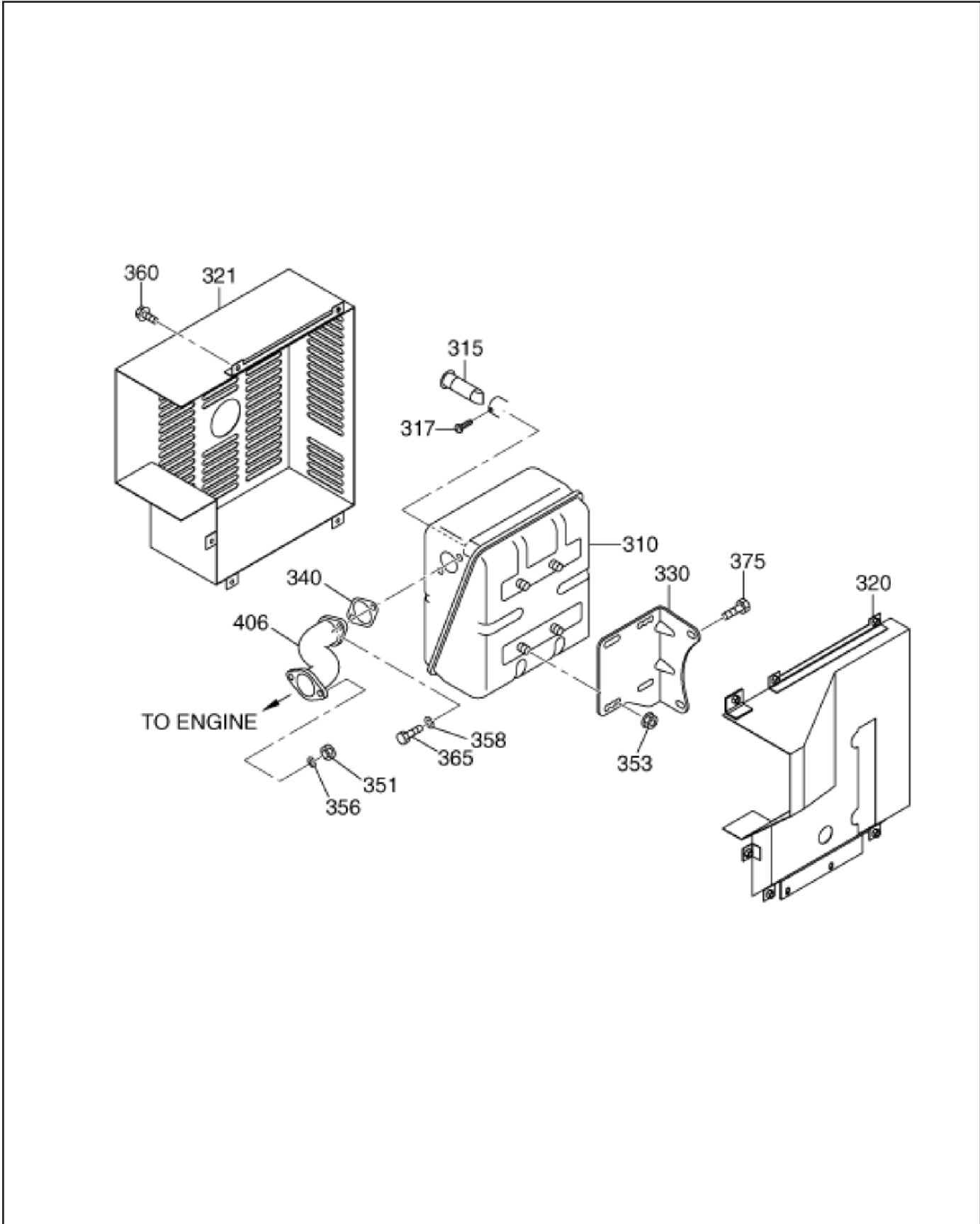


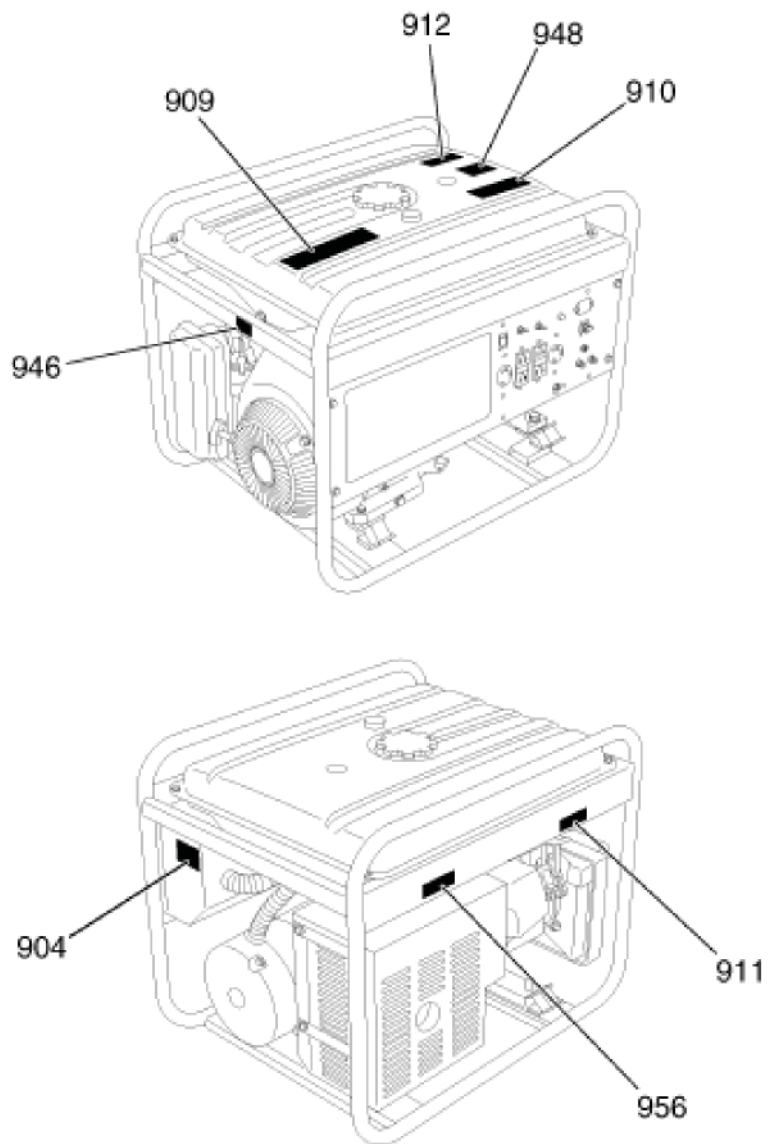


FIG. 27 GROUP





**FIG. 29 GROUP**







PRINTED IN THE USA

## Robin America, Inc

905 Telsler Road • Lake Zurich, IL 60047  
Phone: 847-540-7300 • Fax: 847-438-5012  
e-mail: [sales@robinamerica.com](mailto:sales@robinamerica.com) • [www.subarupower.com](http://www.subarupower.com)

## Free Manuals Download Website

<http://myh66.com>

<http://usermanuals.us>

<http://www.somanuals.com>

<http://www.4manuals.cc>

<http://www.manual-lib.com>

<http://www.404manual.com>

<http://www.luxmanual.com>

<http://aubethermostatmanual.com>

Golf course search by state

<http://golfingnear.com>

Email search by domain

<http://emailbydomain.com>

Auto manuals search

<http://auto.somanuals.com>

TV manuals search

<http://tv.somanuals.com>