

PARTS MANUAL

Models

DY30 / DY35

DY41 / DY42

ENGINE

PUB-EP5769A
Rev. 08/00

Robin America, Inc.

940 Lively Blvd. • Wood Dale, IL 60191 • Phone: 630-350-8200 • Fax: 630-350-8212
e-mail: sales@robinamerica.com • www.robinamerica.com

© Copyright 2000 Robin America, Inc.

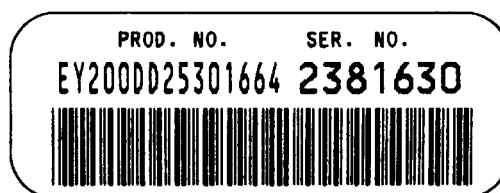
HOW TO USE THIS MANUAL

Robin engines are identified by MODEL, SPECIFICATION, and CODE NUMBER. For each model there may be many different versions called specifications. Each specification will be unique in some way. The difference may only be the paint color or it may have a different type of PTO or some other significant difference.

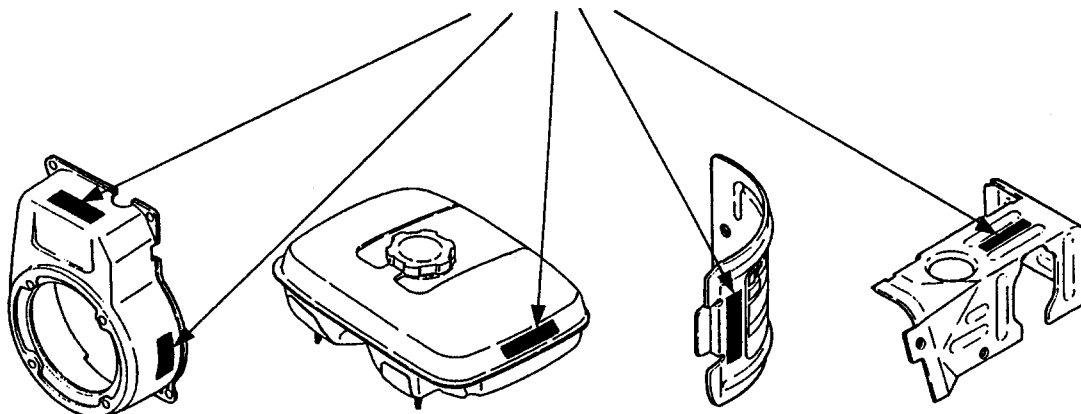
In order to identify the correct service part number, it is important to confirm the specification and code numbers for your engine. The specification and code number together are known as the PRODUCT NUMBER.

All Robin 4 cycle engines have a Product Number label similar to the label illustrated below.

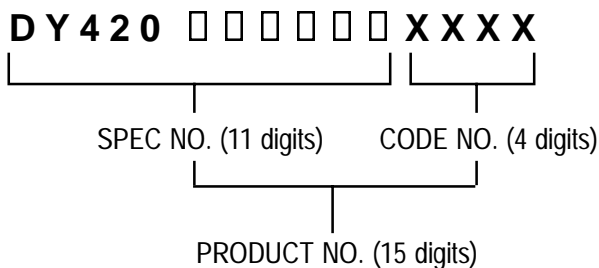
PRODUCT NUMBER LABEL



PRODUCT NUMBER LABEL LOCATIONS



The Product Number Label has a 15 digit alphanumeric string that consists of the SPECIFICATION (SPEC) number (11 digits) and the CODE number (4 digits). Please note the illustration below:



MANUAL LAYOUT

1 — SECTION 6 **FUEL GROUP**

2 — FIG. 600

3 — REF. No.

| REF. | PART NO. | DESCRIPTION | QTY. | REMARKS | FROM-TO | FIG. |
|------|--------------|------------------|------|--------------------|---------|------|
| 10 | 267-60103-01 | FUEL TANK CP | 1 | YD, YS TYPE, BLACK | 2101 - | 600 |
| 3 | 267-60101-01 | FUEL TANK CP | 1 | YELLOW | - 2100 | 600 |
| 27 | 073-20039-00 | LABEL, WARNING | 1 | YD, YS TYPE | | 600 |
| 30 | 043-04300-15 | FUEL TANK CAP CP | 1 | | | 600 |
| 5 | 31 | 267-95201-03 | 1 | YD, YS TYPE | | 600 |
| 40 | 064-13600-10 | FUEL FILTER | 1 | | | 600 |
| 50 | 064-20021-01 | FUEL STRAINER AY | 1 | | | 600 |
| -1 | 064-20002-20 | FILTER | 1 | | | 600 |
| -2 | 064-20002-30 | GASKET | 1 | | | 600 |
| -3 | 064-20019-10 | CUP | 1 | | | 600 |
| 4 | -4 | 064-20003-20 | 1 | | | 600 |

1. SECTION NAME Parts are broadly classified according to their functions. Refer to the Group Index (table of contents) for respective section name.
2. FIG. No. The FIG. number indexes the reference and part numbers to the illustration. Figure numbers that vary only in the tens place (i.e.: 700 and 710) are in a group of the same section (i.e.: Electrical Device Group).
3. REF. No. The Reference number identifies the part illustration with the corresponding part number in the part list.
4. SUBASSEMBLY SUBASSEMBLY parts of part assembly are listed below the assembly part. The subassembly part reference number is indicated by the number led by "-" such as "-1", "-2".
5. PART NUMBER It is the number assigned for sales unit. Use the PART No. when making an order.
6. DESCRIPTION It is designation of the part.
7. QTY. Quantity of each part used for each product.
8. REMARKS This gives a distinctive feature and/or a supplementary comment for the type, the specification, and the part concerned. It also shows part number(s) interchangeable for the part.
9. FROM-TO This section shows the CODE No. to indicate the history of progress in which improved parts have been introduced in the product. The FROM-TO CODE No. helps to identify PART No. being employed in the product concerned. See the examples below:
 - The part is used in the product irrespective of CODE No.
 - 2101- The part is used in the products with CODE No. of 2101 and after this number.
 - 2100 The part is used in the products with CODE No. of 2100 and before this number.

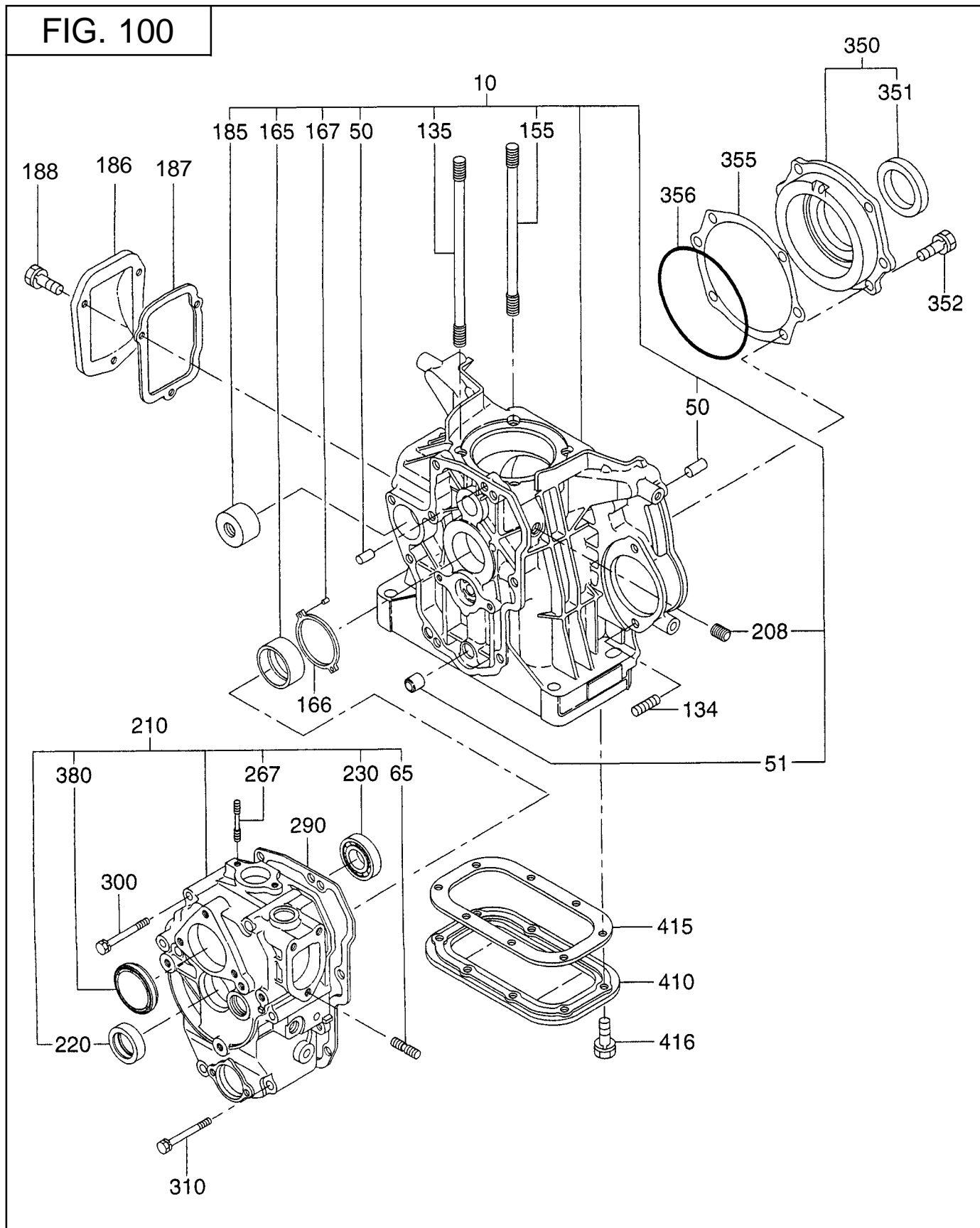
GROUP INDEX

| Group Name | Page |
|----------------------------------|------|
| CRANKCASE GROUP | 6 |
| CRANKSHAFT GROUP | 12 |
| INTAKE and EXHAUST GROUP | 16 |
| GOVERNOR GROUP | 22 |
| COOLING and STARTING GROUP | 24 |
| FUEL, LUBRICANT GROUP | 26 |
| ELECTRIC DEVICE GROUP | 34 |

| INDEX OF DESCRIPTION SYMBOLS | | | |
|------------------------------|---------------------|--------------------|-------------------|
| SYMBOL | DESCRIPTION | SYMBOL | DESCRIPTION |
| AY | ASSEMBLY | P= | PITCH (in mm) |
| CP | COMPLETE | P.T.O. (PTO) | POWER TAKE OFF |
| EX | EXPORT (from Japan) | REF. | REFERENCE |
| FIG. | FIGURE | R.H. (RH) | RIGHT HAND SIDE |
| FR. | FRONT | RR. | REAR |
| " | INCH | STD. | STANDARD |
| INCL. | INCLUDE | SW | SWITCH |
| ~L | LITER | T= | THICKNESS (in mm) |
| L= | LENGTH (in. mm) | UN | UNIT |
| L.H. (LH) | LEFT-HAND SIDE | U.S. | UNDER SIZE |
| MECH | MECHANICAL | ~V | VOLTAGE |
| NO (NON) | NONE | ~W | WATT |
| OPT. | OPTIONAL | W/ | WITH |
| O.S. | OVER SIZE | W/O | WITHOUT |

SECTION 1 CRANKCASE GROUP

FIG. 100

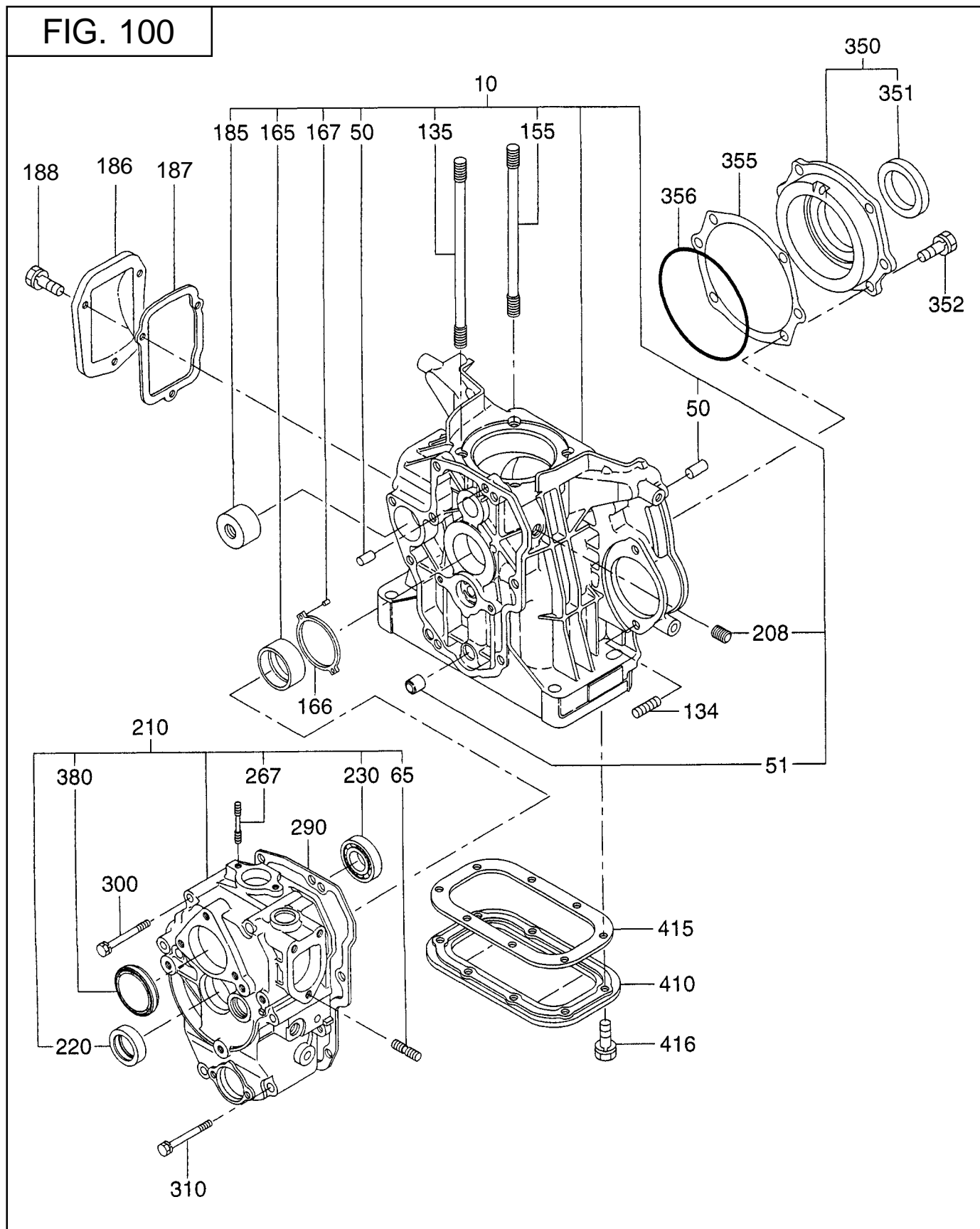


SECTION 1 CRANKCASE GROUP

| REF. | PART NO. | DESCRIPTION | QTY. | REMARKS | FROM-TO | FIG. |
|------|--------------|------------------------|------|--------------------------------|---------|------|
| 10 | 228-10111-01 | CRANKCASE CP | 1 | DY30 | | 100 |
| | 228-10115-01 | CRANKCASE CP | 1 | DY30, Electric Start | | 100 |
| 10 | 229-10111-01 | CRANKCASE CP | 1 | DY35 | | 100 |
| | 229-10115-01 | CRANKCASE CP | 1 | DY35, Electric Start | | 100 |
| 10 | 231-10108-11 | CRANKCASE CP | 1 | DY41 / DY42 | | 100 |
| | 231-10110-01 | CRANKCASE CP | 1 | DY41 / DY42, Electric Start | | 100 |
| 50 | 005-26081-80 | DOWEL PIN | 4 | | | 100 |
| 51 | 228-15003-13 | PIPE KNOCK | 1 | | | 100 |
| 65 | 001-32083-51 | STUD | 3 | | | 100 |
| 134 | 010-50800-44 | STUD | 2 | Electric Start | | 100 |
| 135 | 228-16001-11 | TENSION BOLT 1 | 2 | DY30 / DY35 | | 100 |
| | 231-16001-11 | TENSION BOLT 1 | 2 | DY41/ DY42 | | 100 |
| 155 | 228-16002-21 | TENSION BOLT 2 | 2 | DY30 / DY35 | | 100 |
| | 231-16002-11 | TENSION BOLT 2 | 2 | DY41 / DY42 | | 100 |
| 165 | 228-15801-03 | MAIN BEARING | 1 | STD. | | 100 |
| | 228-15802-03 | MAIN BEARING | 1 | 0.25mm undersize | | 100 |
| | 228-15803-03 | MAIN BEARING | 1 | 0.50mm undersize | | 100 |
| 166 | 228-15002-03 | THRUST BEARING | 1 | | | 100 |
| 167 | 005-19250-60 | SPRING PIN | 2 | | | 100 |
| 185 | 228-25002-03 | SLEEVE, balancer | 1 | | | 100 |
| 186 | 228-26001-01 | BALANCER COVER CP | 1 | | | 100 |
| 187 | 228-25004-03 | GASKET, balancer cover | 1 | | | 100 |
| 188 | 980-05060-10 | BOLT and WASHER AY | 3 | | | 100 |
| 208 | 212-15008-13 | BLIND PLUG | 1 | | | 100 |
| 210 | 228-11701-11 | GEAR CASE COVER CP | 1 | DY30 / DY35 | | 100 |
| | 231-11701-01 | GEAR CASE COVER | 1 | DY41 / DY42 | | 100 |
| 220 | 044-02200-50 | OIL SEAL | 1 | | | 100 |
| 230 | 060-03500-40 | BALL BEARING | 1 | | | 100 |
| 267 | 001-32064-50 | STUD | 2 | | | 100 |
| 290 | 228-15007-03 | GASKET, case cover | 1 | DY30 / DY35 | | 100 |
| | 231-15033-03 | GASKET, case cover | 1 | DY41 / DY42 | | 100 |
| 300 | 001-13088-50 | BOLT and WASHER AY | 4 | | | 100 |
| 310 | 001-13086-50 | BOLT and WASHER AY | 4 | | | 100 |
| 350 | 228-11501-11 | BEARING HOUSING CP | 1 | DY30 / DY35 | | 100 |
| | 228-11502-11 | BEARING HOUSING CP | 1 | DY30 / DY35, Electric Start | | 100 |
| 350 | 231-11501-21 | BEARING HOUSING CP | 1 | DY41 / DY42 | | 100 |
| | 231-11502-21 | BEARING HOUSING CP | 1 | DY41 / DY42, Electric Start | | 100 |
| 351 | 044-04000-20 | OIL SEAL | 1 | | | 100 |
| 352 | 001-13082-00 | BOLT and WASHER AY | 7 | | | 100 |
| 355 | 228-15004-03 | GASKET, T= 0.1 | 1 | Select one piece only, DY30/35 | | 100 |
| | 228-15005-03 | GASKET, T= 0.2 | 1 | Select one piece only, DY30-35 | | 100 |
| | 228-15006-03 | GASKET, T= 0.3 | 1 | Select one piece only, DY30/35 | | 100 |
| | | | | | | |
| | | | | | | |
| | | | | | | |
| | | | | | | |
| | | | | | | |

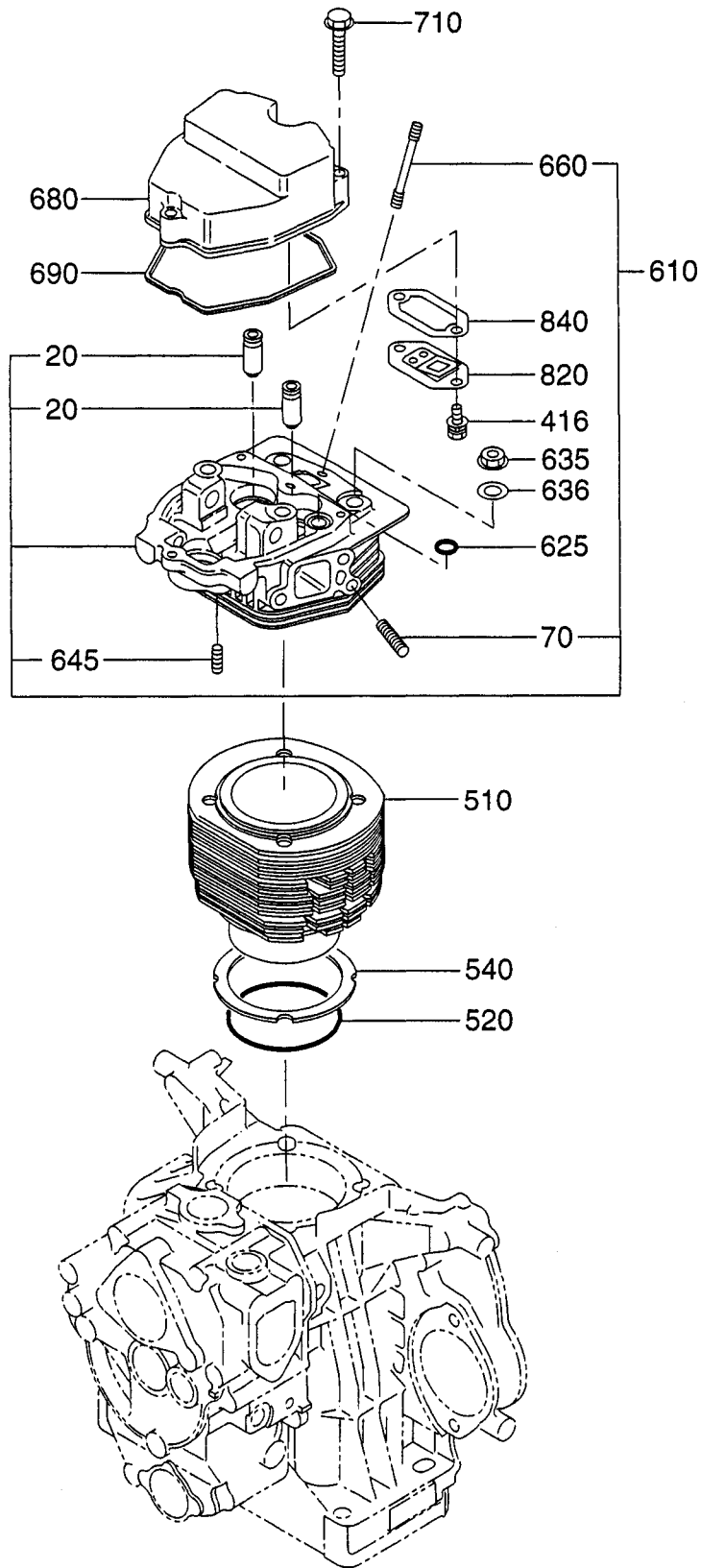
SECTION 1 CRANKCASE GROUP

FIG. 100



SECTION 1 CRANKCASE GROUP

FIG. 110



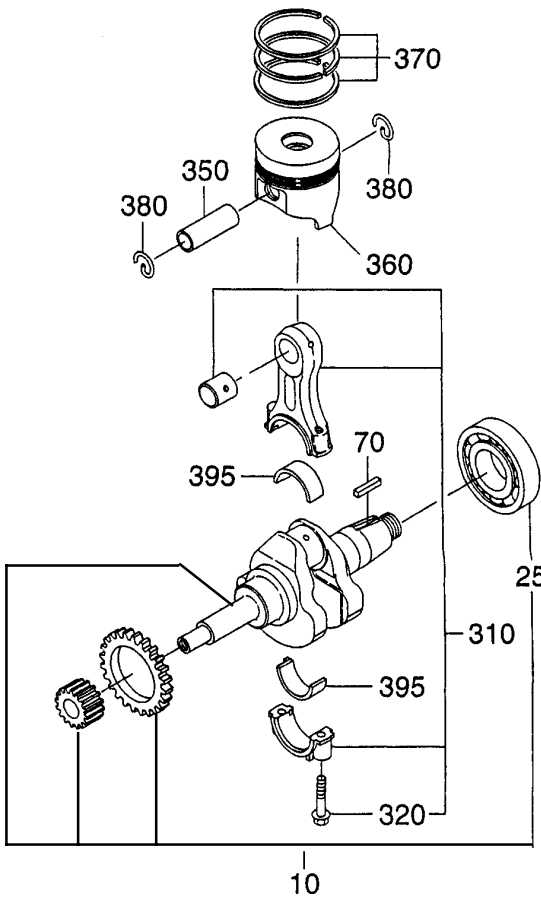
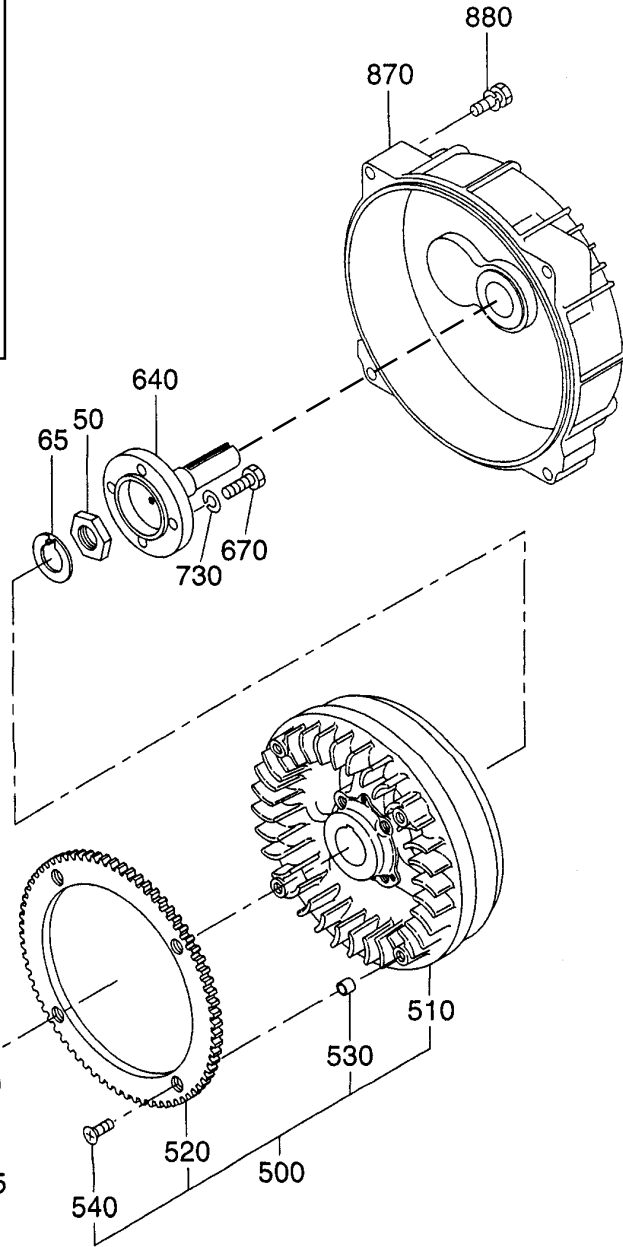
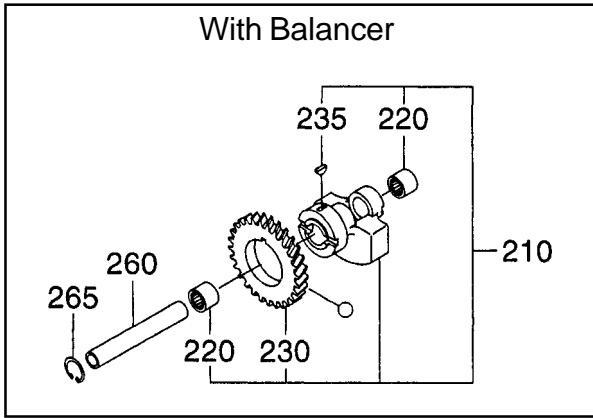
SECTION 1 CRANKCASE GROUP

| REF. | PART NO. | DESCRIPTION | QTY. | REMARKS | FROM-TO | FIG. |
|------|--------------|----------------------|------|-----------------------------------|---------|------|
| 20 | 228-14204-03 | VALVE GUIDE | 2 | | | 110 |
| 70 | 001-37082-01 | STUD | 4 | DY30 / DY35 | | 110 |
| | 001-37082-01 | STUD | 4 | DY41 / DY42 | | 110 |
| 416 | 980-05060-10 | BOLT and WASHER AY | 2 | | | 110 |
| 510 | 228-12401-12 | CYLINDER UN | 1 | DY30 | | 110 |
| | 229-12401-12 | CYLINDER UN | 1 | DY35 | | 110 |
| | 231-12401-02 | CYLINDER UN | 1 | DY41 / DY42 | | 110 |
| 520 | 229-15011-03 | ORING | 1 | | | 110 |
| 540 | 228-15012-13 | SPACER, T=0.1 | 1 | Select one piece only, DY30 | | 110 |
| | 228-15013-13 | SPACER, T= 0.2 | 1 | Select one piece only, DY30 | | 110 |
| 540 | 229-15012-13 | SPACER, T= 0.1 | 1 | Select one piece only, DY35/41/42 | | 110 |
| | 229-15013-13 | SPACER, T= 0.2 | 1 | Select one piece only, DY35/41/42 | | 110 |
| 610 | 228-13110-31 | CYLINDER HEAD CP | 1 | DY30 | | 110 |
| | 229-13110-21 | CYLINDER HEAD CP | 1 | DY35/41/42 | | 110 |
| 625 | 024-01300-10 | ORING | 1 | | | 110 |
| 635 | 018-01000-11 | FLANGE NUT | 4 | | | 110 |
| 636 | 803011070 | WASHER | 4 | | | 110 |
| 645 | 001-31062-51 | STUD | 2 | | | 110 |
| 660 | 010-50601-50 | STUD | 2 | | | 110 |
| 680 | 228-17053-03 | ROCKER COVER | 1 | | | 110 |
| 690 | 228-15010-03 | GASKET, rocker cover | 1 | | | 110 |
| 710 | 001-13064-00 | BOLT and WASHER AY | 3 | | | 110 |
| 820 | 228-15303-01 | BREATHER PLATE CP | 1 | | | 110 |
| 840 | 228-15009-23 | GASKET, breather | 1 | | | 110 |
| *960 | 228-99001-07 | GASKET SET | 1 | DY30 / DY35 | | |
| *960 | 231-99001-07 | GASKET SET | 1 | DY41 / DY42 | | |
| | | | | | | |
| | | | | | | |
| | | | | | | |
| | | | | | | |
| | | | | | | |
| | | | | | | |
| | | | | | | |
| | | | | | | |
| | | | | | | |
| | | | | | | |
| | | | | | | |
| | | | | | | |
| | | | | | | |
| | | | | | | |
| | | | | | | |
| | | | | | | |
| | | | | | | |
| | | | | | | |
| | | | | | | |
| | | | | | | |
| | | | | | | |
| | | | | | | |
| | | | | | | |
| | | | | | | |
| | | | | | | |
| | | | | | | |
| | | | | | | |
| | | | | | | |
| | | | | | | |
| | | | | | | |
| | | | | | | |
| | | | | | | |
| | | | | | | |
| | | | | | | |
| | | | | | | |
| | | | | | | |
| | | | | | | |
| | | | | | | |
| | | | | | | |
| | | | | | | |
| | | | | | | |

*The gasket sets include the following:
 Fig. 100 items 290, 355, 356, 415
 Fig. 110 items 690, 840
 Fig. 300 item 195
 Fig. 310 item 340
 Fig. 400 item 465
 Fig. 600 item 650

SECTION 2 CRANKSHAFT GROUP

FIG. 200

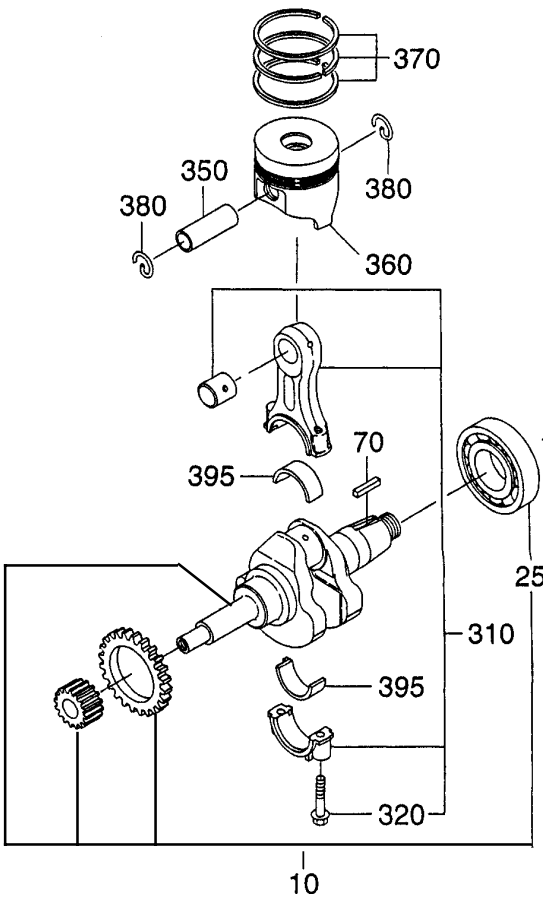
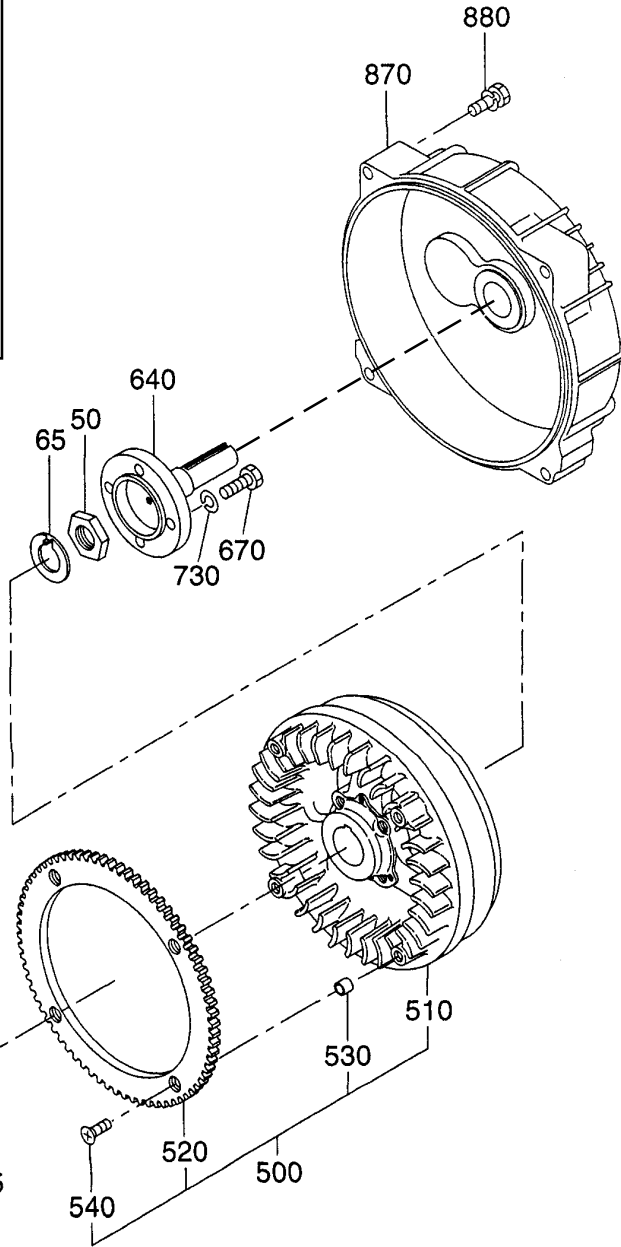
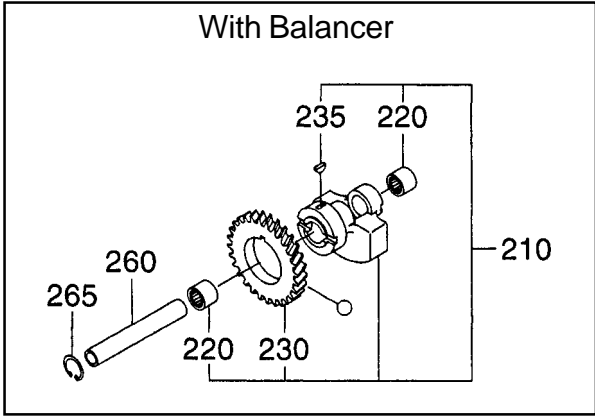


SECTION 2 CRANKSHAFT GROUP

| REF. | PART NO. | DESCRIPTION | QTY. | REMARKS | FROM-TO | FIG. |
|------|--------------|---------------------|------|-----------------------------|---------|------|
| 10 | 228-20202-11 | CRANKSHAFT CP | 1 | DY30 / DY35 | | 200 |
| | 262-20202-01 | CRANKSHAFT CP | 1 | DY41 / DY42 | | 200 |
| 25 | 060-04000-30 | BALL BEARING | 1 | | | 200 |
| 50 | 017-32600-10 | LOCK NUT | 1 | | | 200 |
| 65 | 020-52600-12 | LOCK WASHER | 1 | | | 200 |
| 70 | 005-30040-81 | KEY | 1 | DY30 / DY35 | | 200 |
| | 005-30072-01 | KEY | 1 | DY41 / DY42 | | 200 |
| 210 | 228-24301-11 | BALANCER CP | 1 | DY30 / DY35 | | 200 |
| | 231-24301-11 | BALANCER CP | 1 | DY41 / DY42 | | 200 |
| 220 | 061-01500-10 | NEEDLE BEARING | 2 | | | 200 |
| 230 | 228-24202-03 | BALANCER GEAR 2 | 1 | DY30 / DY35 | | 200 |
| | 231-24202-03 | BALANCER GEAR 2 | 1 | DY41 / DY42 | | 200 |
| 235 | 005-32042-01 | WOODRUFF KEY | 1 | | | 200 |
| 260 | 228-24101-03 | BALANCER SHAFT | 1 | | | 200 |
| 265 | 003-14150-00 | SNAP RING, inner | 1 | | | 200 |
| 310 | 228-22501-10 | CONNECTING ROD AY | 1 | DY30 / DY35 | | 200 |
| | 262-22501-00 | CONNECTING ROD AY | 1 | DY42 | | 200 |
| | 231-22501-00 | CONNECTING ROD AY | 1 | DY41 | | 200 |
| 320 | 228-23001-13 | CONNECTING ROD BOLT | 2 | DY30 / DY35 | | 200 |
| | 231-23001-13 | CONNECTING ROD BOLT | 2 | DY41 / DY42 | | 200 |
| 350 | 228-23301-03 | PISTON PIN | 1 | DY30 / DY35 | | 200 |
| 350 | 262-23301-03 | PISTON PIN | 1 | DY42 | | 200 |
| | 228-23301-03 | PISTON PIN | 1 | DY41 | | 200 |
| 360 | 228-23401-43 | PISTON | 1 | STD., DY30 | | 200 |
| | 228-23402-43 | PISTON | 1 | 0.25mm oversize, DY30 | | 200 |
| | 228-23403-43 | PISTON | 1 | 0.50mm oversize, DY30 | | 200 |
| 360 | 229-23401-63 | PISTON | 1 | STD., DY35 | | 200 |
| | 229-23402-63 | PISTON | 1 | 0.25mm oversize, DY35 | | 200 |
| | 229-23403-63 | PISTON | 1 | 0.50mm oversize, DY35 | | 200 |
| 360 | 262-23401-03 | PISTON | 1 | STD., DY42 | | 200 |
| | 262-23402-03 | PISTON | 1 | 0.25mm oversize, DY42 | | 200 |
| | 262-23403-03 | PISTON | 1 | 0.50mm oversize, DY42 | | 200 |
| 360 | 231-23401-43 | PISTON | 1 | STD., DY41 | | 200 |
| | 231-23402-43 | PISTON | 1 | 0.25mm oversize, DY41 | | 200 |
| | 231-23403-43 | PISTON | 1 | 0.50mm oversize, DY41 | | 200 |
| 370 | 228-23501-07 | PISTON RING SET | 1 | STD., DY30 | | 200 |
| | 228-23502-07 | PISTON RING SET | 1 | 0.25mm oversize, DY30 | | 200 |
| | 228-23503-07 | PISTON RING SET | 1 | 0.50mm oversize, DY30 | | 200 |
| 370 | 229-23501-27 | PISTON RING SET | 1 | STD., DY35/DY41/DY42 | | 200 |
| | 229-23502-27 | PISTON RING SET | 1 | 0.25mm oversize, DY35/41/42 | | 200 |
| | 229-23503-27 | PISTON RING SET | 1 | 0.50mm oversize, DY35/41/42 | | 200 |
| 380 | 056-52100-10 | CLIP | 2 | DY30 / DY35 | | 200 |
| | 233-25002-03 | CLIP | 2 | DY41 / DY42 | | 200 |
| | | | | | | |
| | | | | | | |
| | | | | | | |

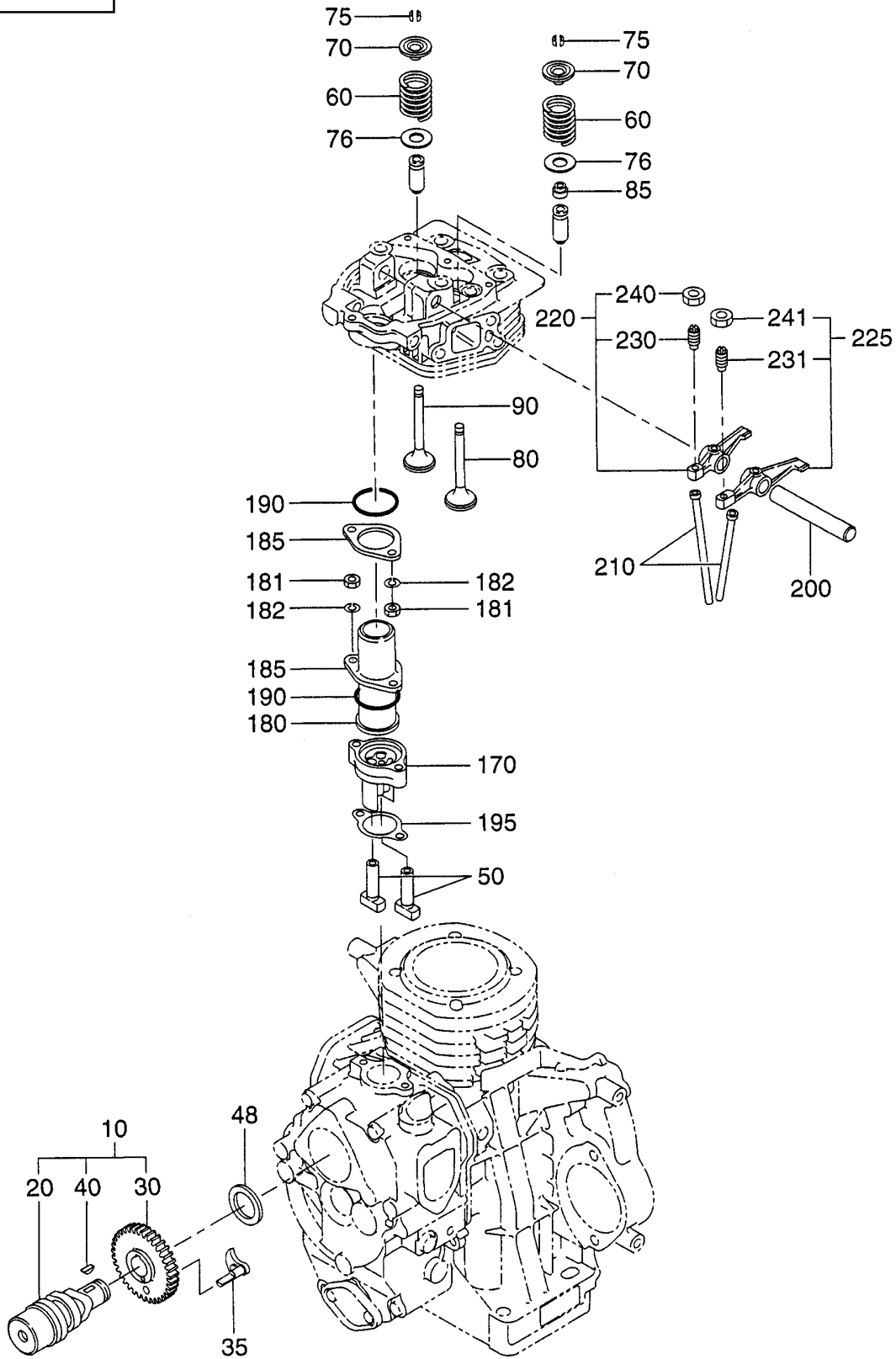
SECTION 2 CRANKSHAFT GROUP

FIG. 200



SECTION 3 INTAKE and EXHAUST GROUP

FIG. 300

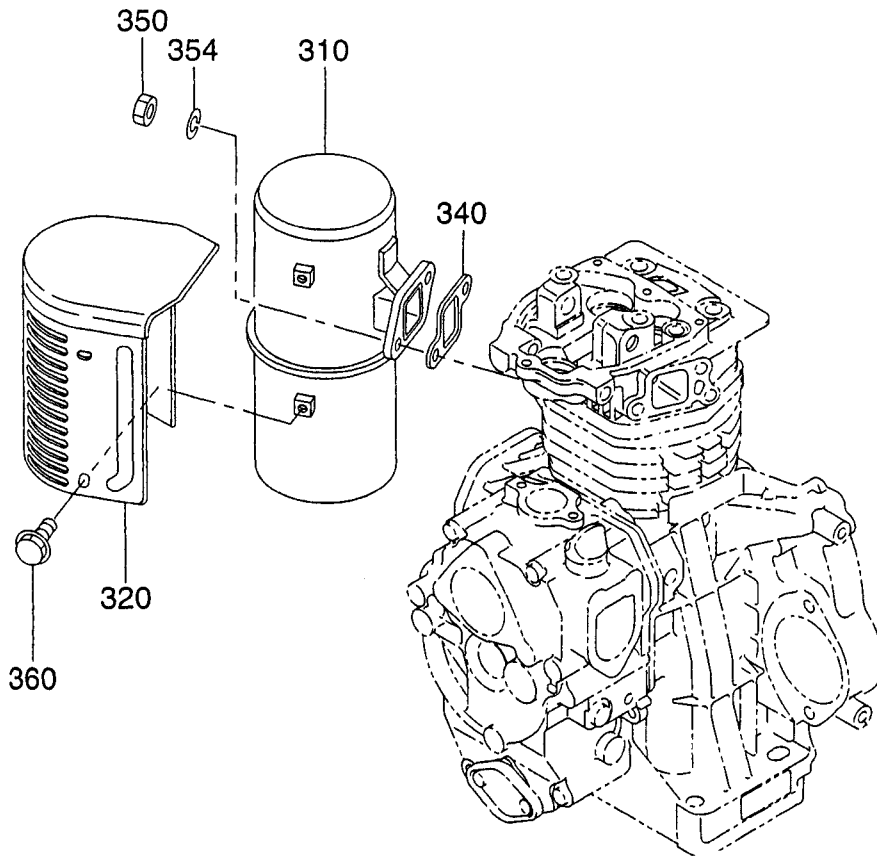


SECTION 3 INTAKE and EXHAUST GROUP

| REF. | PART NO. | DESCRIPTION | QTY. | REMARKS | FROM-TO | FIG. |
|------|--------------|-----------------------|------|-----------------------|---------|------|
| 10 | 228-31604-00 | CAMSHAFT AY | 1 | | | 300 |
| 20 | 228-31604-01 | CAMSHAFT CP | 1 | | | 300 |
| 30 | 228-33222-01 | CAMSHAFT GEAR CP | 1 | | | 300 |
| 35 | 228-35561-03 | RELEASE LEVER | 1 | | | 300 |
| 40 | 005-32042-01 | WOODRUFF KEY | 1 | | | 300 |
| 48 | 023-02000-20 | SPACER, T= 0.8 | 1 | Select one piece only | | 300 |
| | 023-02000-30 | SPACER, T= 1.0 | 1 | Select one piece only | | 300 |
| | 023-02000-40 | SPACER, T= 1.2 | 1 | Select one piece only | | 300 |
| 50 | 228-33301-03 | TAPPET | 2 | | | 300 |
| 60 | 228-33601-03 | VALVE SPRING | 2 | | | 300 |
| 70 | 228-33701-03 | SPRING RETAINER | 2 | | | 300 |
| 75 | 228-33801-03 | RETAINER LOCK | 4 | DY30 / DY35 | | 300 |
| | 262-33801-03 | RETAINER LOCK | 4 | DY41 / DY42 | | 300 |
| 76 | 020-01500-30 | WASHER | 2 | | | 300 |
| 80 | 228-33401-13 | INTAKE VALVE | 1 | | | 300 |
| 85 | 228-35003-03 | VALVE STEM SEAL | 1 | DY30 / DY35 | | 300 |
| | 262-35001-03 | VALVE STEM SEAL | 1 | DY41 / DY42 | | 300 |
| 90 | 228-33501-03 | EXHAUST VALVE | | DY30 / DY35 | | 300 |
| | 262-33501-03 | EXHAUST VALVE | 1 | DY41 / DY42 | | 300 |
| 170 | 228-35701-13 | TAPPET GUIDE | 1 | | | 300 |
| 180 | 228-35603-11 | PUSH ROD SLEEVE | 1 | DY30 / DY35 | | 300 |
| | 231-35603-11 | PUSH ROD SLEEVE | 1 | DY41 / DY42 | | 300 |
| 181 | 002-18060-00 | NUT | 4 | | | 300 |
| 182 | 003-20060-00 | SPRING WASHER | 4 | | | 300 |
| 185 | 228-35801-01 | PLATE CP, push rod | 2 | | | 300 |
| 190 | 024-03200-70 | O RING | 2 | | | 300 |
| 195 | 228-35013-03 | GASKET, tappet guide | 1 | | | 300 |
| 200 | 228-35004-03 | ROCKER SHAFT | 1 | | | 300 |
| 210 | 228-35005-03 | PUSH ROD | 2 | DY30 / DY35 | | 300 |
| | 231-35005-03 | PUSH ROD | 2 | DY41 / DY42 | | 300 |
| 220 | 228-36201-01 | EXHAUST ROCKER ARM CP | 1 | | | 300 |
| 225 | 228-36301-01 | INTAKE ROCKER ARM CP | 1 | | | 300 |
| 230 | 014-90600-80 | ADJUSTING SCREW | 1 | | | 300 |
| 231 | 014-90600-80 | ADJUSTING SCREW | 1 | | | 300 |
| 240 | 017-00600-80 | NUT | 1 | | | 300 |
| 241 | 017-00600-80 | NUT | 1 | | | 300 |
| | | | | | | |
| | | | | | | |
| | | | | | | |
| | | | | | | |
| | | | | | | |
| | | | | | | |
| | | | | | | |
| | | | | | | |
| | | | | | | |
| | | | | | | |
| | | | | | | |
| | | | | | | |
| | | | | | | |
| | | | | | | |
| | | | | | | |

SECTION 3 INTAKE and EXHAUST GROUP

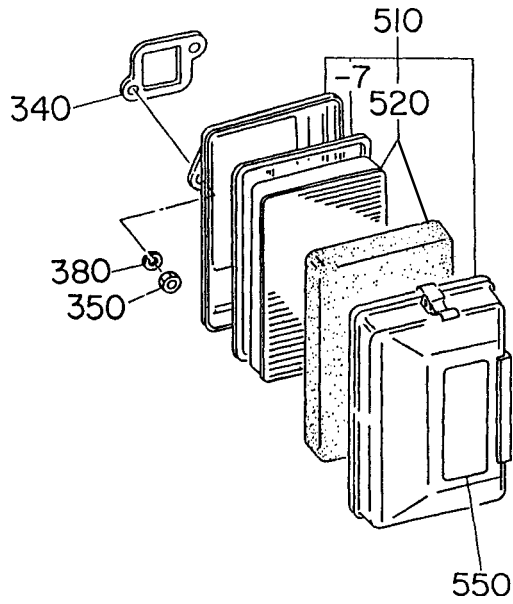
FIG. 310



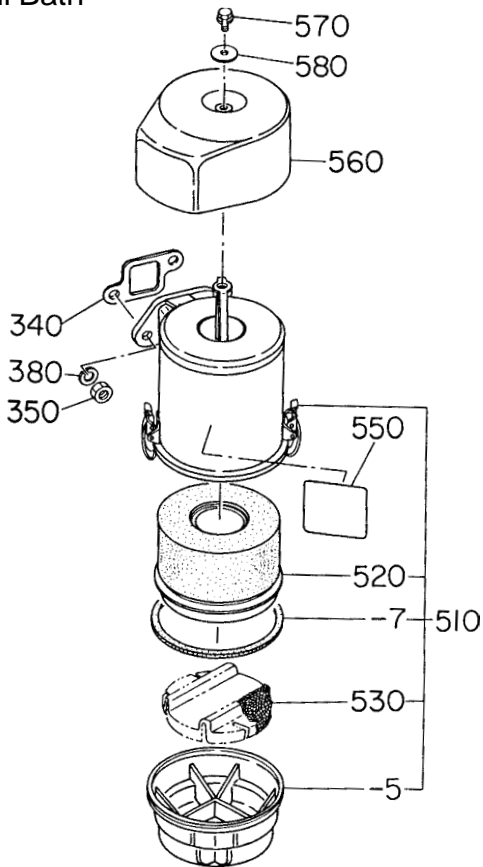
SECTION 3 INTAKE and EXHAUST GROUP

FIG. 320

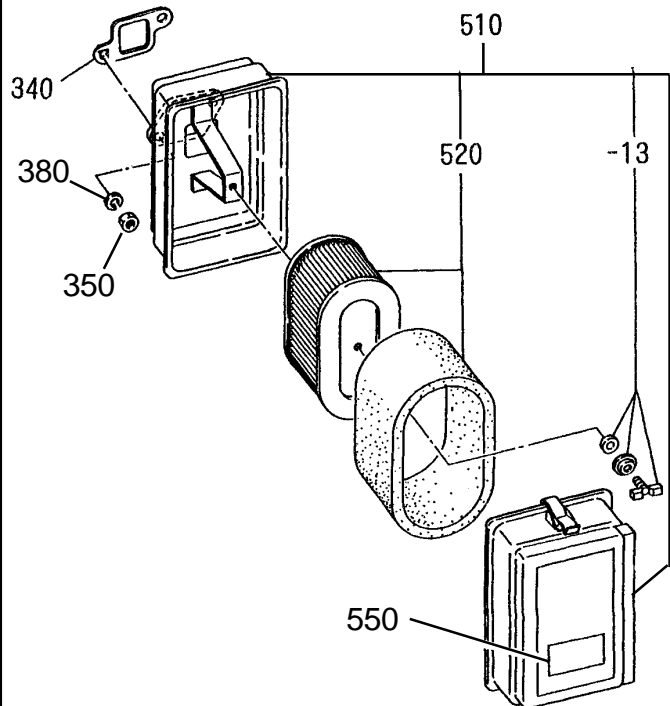
A STD. 2-Stage
Flat Pleated



B Oil Bath



C 2- Stage Oval

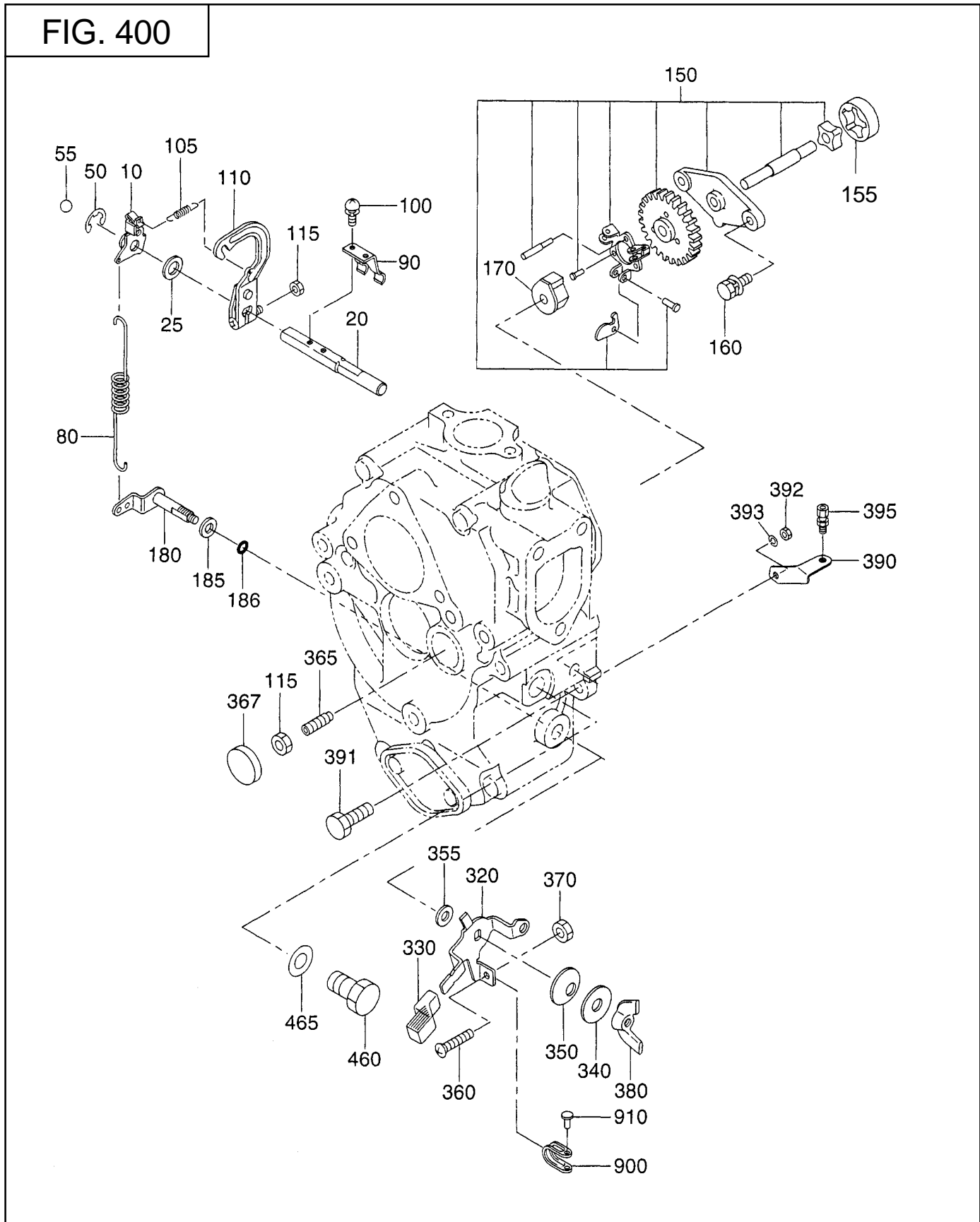


SECTION 3 INTAKE and EXHAUST GROUP

| REF. | PART NO. | DESCRIPTION | QTY. | REMARKS | FROM-TO | FIG. |
|------|--------------|--------------------|------|------------------------------|---------|------|
| 340 | 228-35006-03 | GASKET, muffler | 1 | | | 320 |
| 350 | 002-18080-00 | NUT | 2 | | | 320 |
| 380 | 003-20080-00 | SPRING WASHER | 2 | | | 320 |
| 510 | 228-32801-00 | AIR CLEANER AY | 1 | STD. 2 - Stage, flat pleated | | 320A |
| | 231-32601-20 | AIR CLEANER AY | 1 | Oil Bath | | 320B |
| | 262-32601-00 | AIR CLEANER AY | 1 | 2- Stage, oval, DY41/42 only | | 320C |
| -5 | 228-32710-08 | OIL PAN CP | 1 | | | 320B |
| -7 | 228-32805-08 | PACKING | 1 | | | 320A |
| | 228-32720-08 | PACKING | 1 | | | 320B |
| -13 | 246-32653-08 | WING NUT CP | 1 | | | 320C |
| 520 | 228-32801-07 | ELEMENT | 1 | STD. 2-Stage, flat pleated | | 320A |
| | 228-32600-08 | ELEMENT | 1 | Oil Bath | | 320B |
| | 262-32601-07 | ELEMENT | 1 | 2-Stage, oval | | 320C |
| 530 | 228-32601-18 | ELEMENT | 1 | | | 320B |
| 550 | 228-92301-03 | LABEL, air cleaner | 1 | | | 320A |
| | 228-92306-03 | LABEL, air cleaner | 1 | | | 320B |
| | 243-72305-03 | LABEL, air cleaner | 1 | | | 320C |
| 560 | 231-35009-03 | AIR CLEANER CAP | 1 | | | 320B |
| 570 | 980-05060-10 | BOLT and WASHER | 1 | | | 320B |
| 580 | 020-00600-20 | WASHER | 1 | | | 320B |
| | | | | | | |
| | | | | | | |
| | | | | | | |
| | | | | | | |
| | | | | | | |
| | | | | | | |
| | | | | | | |
| | | | | | | |
| | | | | | | |
| | | | | | | |
| | | | | | | |
| | | | | | | |
| | | | | | | |
| | | | | | | |
| | | | | | | |
| | | | | | | |
| | | | | | | |
| | | | | | | |
| | | | | | | |
| | | | | | | |
| | | | | | | |
| | | | | | | |
| | | | | | | |
| | | | | | | |
| | | | | | | |
| | | | | | | |
| | | | | | | |
| | | | | | | |
| | | | | | | |
| | | | | | | |

SECTION 4 GOVERNOR GROUP

FIG. 400

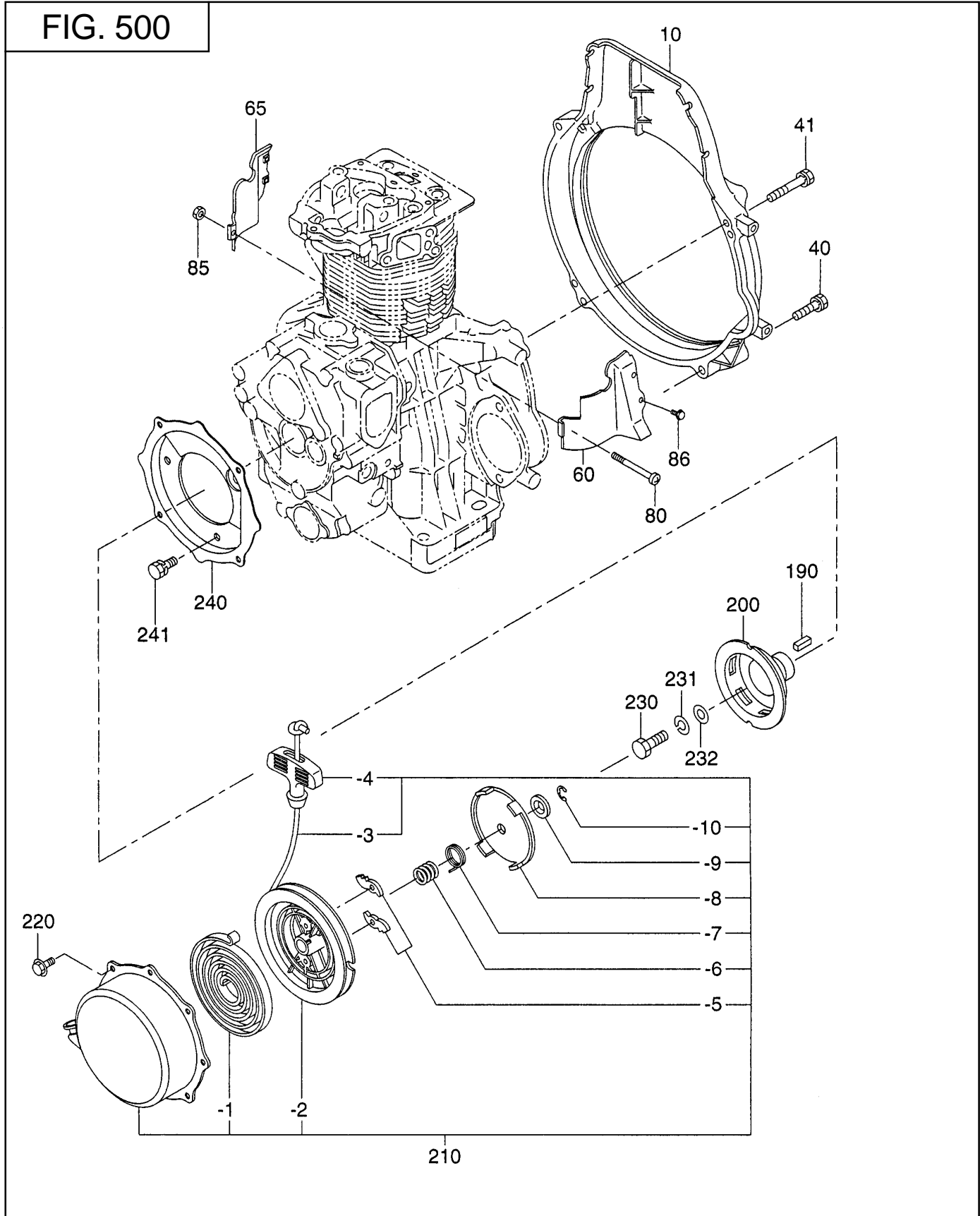


SECTION 4 GOVERNOR GROUP

| REF. | PART NO. | DESCRIPTION | QTY. | REMARKS | FROM-TO | FIG. |
|------|--------------|---------------------|------|---------|---------|------|
| 10 | 228-42302-03 | GOVERNOR LEVER 1 | 1 | | | 400 |
| 20 | 228-42201-03 | GOVERNOR SHAFT | 1 | | | 400 |
| 25 | 003-10100-00 | WASHER | 1 | | | 400 |
| 50 | 003-13080-00 | CLIP | 1 | | | 400 |
| 55 | 045-00600-10 | STEEL BALL | 1 | | | 400 |
| 80 | 228-42501-23 | GOVERNOR SPRING | 1 | | | 400 |
| 90 | 228-42101-23 | GOVERNOR YOKE | 1 | | | 400 |
| 100 | 004-35051-20 | SCREW and WASHER AY | 2 | | | 400 |
| 105 | 228-45001-33 | START SPRING | 1 | | | 400 |
| 110 | 228-42310-02 | GOVERNOR LEVER 2 | 1 | | | 400 |
| 115 | 002-18060-00 | NUT | 2 | | | 400 |
| 150 | 228-41701-30 | GOVERNOR PLATE AY | 1 | | | 400 |
| 155 | 228-63902-03 | OIL PUMP, outer | 1 | | | 400 |
| 160 | 001-13062-00 | BOLT and WASHER AY | 2 | | | 400 |
| 170 | 228-41910-01 | GOVERNOR SLEEVE CP | 1 | | | 400 |
| 180 | 228-42904-02 | CONTROL LINK | 1 | | | 400 |
| 185 | 023-00800-10 | SPACER | 1 | | | 400 |
| 186 | 006-26100-50 | O RING | 1 | | | 400 |
| 320 | 231-43311-01 | SPEED CONTROL 1 CP | 1 | | | 400 |
| 330 | 228-45003-03 | KNOB | 1 | | | 400 |
| 340 | 020-00800-50 | WASHER | 1 | | | 400 |
| 350 | 020-00800-10 | WASHER | 1 | | | 400 |
| 355 | 021-70800-10 | FRICTION WASHER | 1 | | | 400 |
| 360 | 004-31063-50 | SCREW | 1 | | | 400 |
| 365 | 014-90600-70 | ADJUSTING SCREW | 1 | | | 400 |
| 367 | 041-12200-10 | BLIND PLUG | 1 | | | 400 |
| 370 | 002-18060-00 | NUT | 1 | | | 400 |
| 380 | 017-90800-12 | WING NUT | 1 | | | 400 |
| 390 | 228-44201-01 | WIRE BRACKET 1 CP | 1 | | | 400 |
| 391 | 001-65061-60 | BOLT | 1 | | | 400 |
| 392 | 002-18060-00 | NUT | 1 | | | 400 |
| 393 | 003-20600-00 | SPRING WASHER | 1 | | | 400 |
| 395 | 014-90600-40 | ADJUSTING SCREW | 1 | | | 400 |
| 460 | 040-11200-30 | PLUG | 1 | | | 400 |
| 465 | 003-70120-00 | GASKET, aluminum | 1 | | | 400 |
| 900 | 228-45004-03 | LOCK PLATE | 1 | | | 400 |
| 910 | 033-00500-10 | RIVET | 1 | | | 400 |
| | | | | | | |
| | | | | | | |
| | | | | | | |
| | | | | | | |
| | | | | | | |
| | | | | | | |
| | | | | | | |
| | | | | | | |
| | | | | | | |
| | | | | | | |
| | | | | | | |
| | | | | | | |
| | | | | | | |

SECTION 5 COOLING and STARTING GROUP

FIG. 500

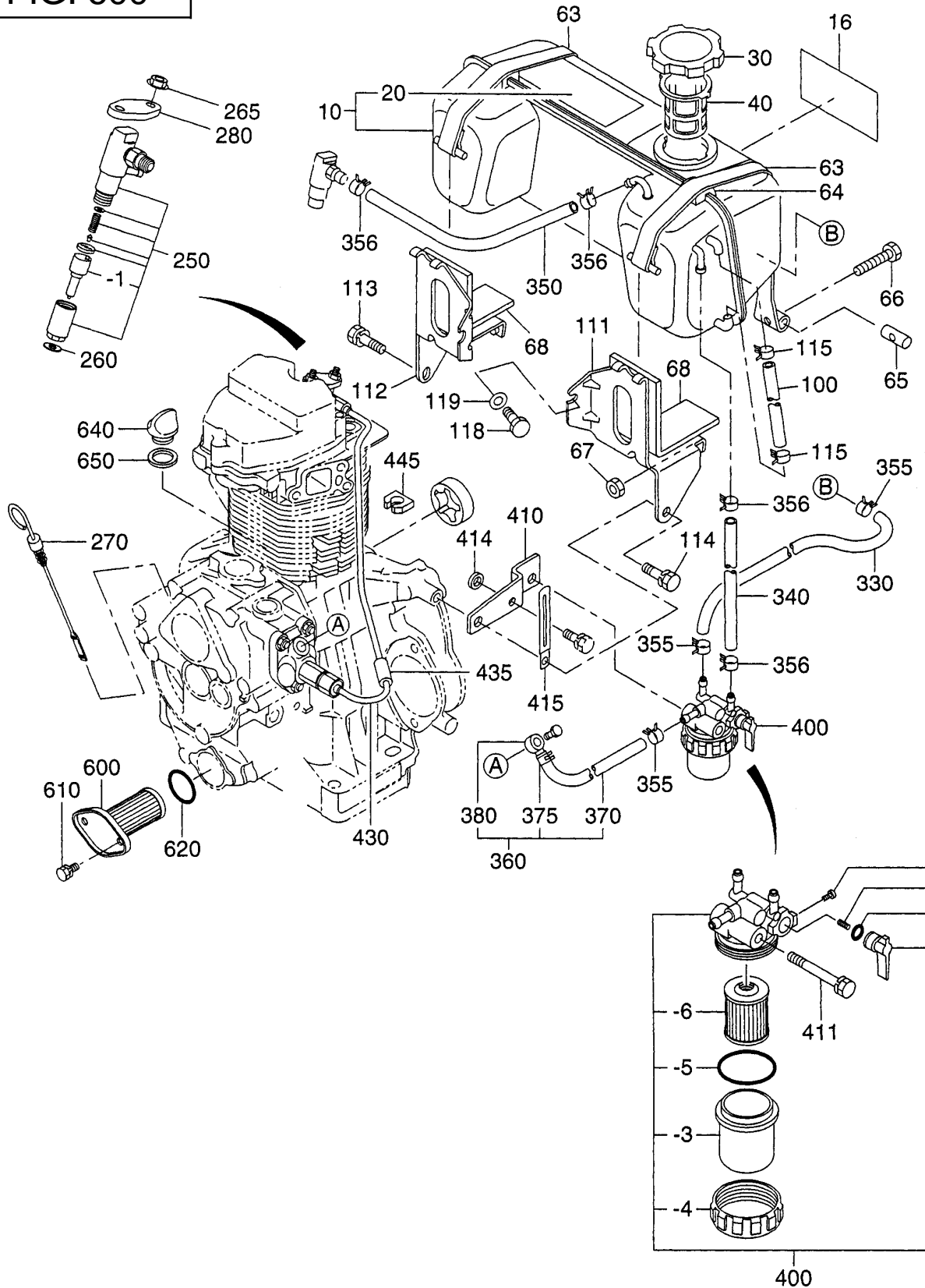


SECTION 5 COOLING and STARTING GROUP

| REF. | PART NO. | DESCRIPTION | QTY. | REMARKS | FROM-TO | FIG. |
|------|--------------|------------------------|------|-------------|---------|------|
| 10 | 228-51101-03 | BLOWER HOUSING | 1 | DY30 / DY35 | | 500 |
| | 231-51202-13 | BLOWER HOUSING | 1 | DY41 / DY42 | | 500 |
| 40 | 001-13084-00 | BOLT and WASHER AY | 2 | | | 500 |
| 41 | 001-13085-50 | BOLT and WASHER AY | 2 | | | 500 |
| 60 | 228-52601-12 | CYLINDER BAFFLE 1 | 1 | DY30 / DY35 | | 500 |
| | 231-52601-12 | CYLINDER BAFFLE 1 | 1 | DY41 / DY42 | | 500 |
| 65 | 228-52701-12 | CYLINDER BAFFLE 2 | 1 | DY30 / DY35 | | 500 |
| | 231-52701-12 | CYLINDER BAFFLE 2 | 1 | DY41 / DY42 | | 500 |
| 80 | 014-00500-40 | SCREW, panhead | 1 | | | 500 |
| 85 | 002-17050-00 | NUT | 1 | | | 500 |
| 86 | 011-00600-20 | FLANGE BOLT | 4 | | | 500 |
| 190 | 005-30040-81 | KEY | 1 | | | 500 |
| 200 | 228-54201-21 | STARTING PULLY, compl. | 1 | | | 500 |
| 210 | 228-50101-00 | RECOIL STARTER AY | 1 | | | 500 |
| -1 | 106-50116-08 | SPIRAL SPRING | 1 | | | 500 |
| -2 | 107-50121-08 | REEL, compl. | 1 | | | 500 |
| -3 | 228-50110-08 | STARTER ROPE | 1 | | | 500 |
| -4 | 206-50101-08 | STARTER KNOB | 1 | | | 500 |
| -5 | 106-50128-18 | RATCHET | 2 | | | 500 |
| -6 | 106-50132-08 | FRICITION SPRING | 1 | | | 500 |
| -7 | 106-50136-18 | RETURN SPRING | 1 | | | 500 |
| -8 | 106-50144-08 | FRICITION PLATE | 1 | | | 500 |
| -9 | 106-50185-08 | THRUST WASHER | 1 | | | 500 |
| -10 | 106-50186-08 | CLIP | 1 | | | 500 |
| 220 | 011-00600-10 | FLANGE BOLT | 4 | | | 500 |
| 230 | 001-66102-00 | BOLT | 1 | | | 500 |
| 231 | 003-20100-00 | SPRING WASHER | 1 | | | 500 |
| 232 | 803011070 | WASHER | 1 | | | 500 |
| 240 | 228-55201-02 | RECOIL COVER | 1 | | | 500 |
| 241 | 001-13082-00 | BOLT and WASHER AY | 3 | | | 500 |
| | | | | | | |
| | | | | | | |
| | | | | | | |
| | | | | | | |
| | | | | | | |
| | | | | | | |
| | | | | | | |
| | | | | | | |
| | | | | | | |
| | | | | | | |
| | | | | | | |
| | | | | | | |
| | | | | | | |
| | | | | | | |
| | | | | | | |
| | | | | | | |
| | | | | | | |
| | | | | | | |
| | | | | | | |
| | | | | | | |
| | | | | | | |
| | | | | | | |
| | | | | | | |

SECTION 6 FUEL, LUBRICANT GROUP

FIG. 600



SECTION 6 FUEL, LUBRICANT GROUP

| REF. | PART NO. | DESCRIPTION | QTY. | REMARKS | FROM-TO | FIG. |
|------|--------------|----------------------|------|-------------------------------|---------|------|
| 10 | 228-60101-41 | FUEL TANK CP | 1 | | | 600 |
| 16 | 228-91801-23 | LABEL, trademark | 1 | DY30 | | 600 |
| | 229-91714-03 | LABEL, trademark | 1 | DY35 | | 600 |
| | 231-91701-03 | LABEL, trademark | 1 | DY41 | | 600 |
| | 262-91712-03 | LABEL, trademark | 1 | DY42 | | 600 |
| 20 | 228-91908-03 | LABEL, instruction | 1 | | | 600 |
| 30 | 043-04300-15 | FUEL TANK CAP CP | 1 | | | 600 |
| 40 | 064-13600-10 | FUEL FILTER | 1 | | | 600 |
| 63 | 228-65510-01 | TANK BAND CP | 2 | | | 600 |
| 64 | 228-65001-13 | BAND GUIDE | 2 | | | 600 |
| 65 | 228-65601-11 | PIN CP, tank band | 2 | | | 600 |
| 66 | 001-66064-50 | BOLT | 2 | | | 600 |
| 67 | 002-18060-00 | NUT | 2 | | | 600 |
| 68 | 228-65002-03 | FELT | 2 | | | 600 |
| 100 | 085-00500-40 | VINYL PIPE | 1 | | | 600 |
| 111 | 228-61601-11 | TANK BRACKET 1 CP | 1 | DY30 / DY35 | | 600 |
| | 231-61601-11 | TANK BRACKET 1 CP | 1 | DY41 / DY42 | | 600 |
| 112 | 228-61701-11 | TANK BRACKET 2 CP | 1 | DY30 / DY35 | | 600 |
| | 231-61701-11 | TANK BRACKET 2 CP | 1 | DY41 / DY42 | | 600 |
| 113 | 001-13082-00 | BOLT and WASHER AY | 1 | | | 600 |
| 114 | 001-13082-00 | BOLT and WASHER AY | 1 | | | 600 |
| | 001-13082-50 | BOLT and WASHER AY | 1 | Electric Start | | 600 |
| 115 | 056-10800-10 | HOSE CLAMP | 2 | | | 600 |
| 118 | 001-13081-80 | BOLT and WASHER AY | 2 | | | 600 |
| 119 | 003-10080-00 | WASHER | 2 | | | 600 |
| 250 | 228-63201-10 | NOZZLE HOLDER AY | 1 | | | 600 |
| -1 | 228-63211-08 | NOZZLE | 1 | | | 600 |
| 260 | 228-65004-03 | GASKET, nozzle | 1 | | | 600 |
| 265 | 002-38060-00 | FLANGE NUT | 2 | | | 600 |
| 270 | 228-63610-01 | OIL GAUGE CP | 1 | | | 600 |
| 280 | 243-66001-01 | BRACKET CP, nozzle 1 | 1 | | | 600 |
| 330 | 085-10600-00 | RUBBER PIPE | 1 | 6 X 12 X 260 | | 600 |
| | 085-10600-00 | RUBBER PIPE | 1 | 6 X 12 X 140, Electric Start | | 600 |
| 340 | 085-14500-00 | RUBBER PIPE | 1 | 4.5 X 9 X 90 | | 600 |
| 350 | 085-14500-00 | RUBBER PIPE | 1 | 4.5 X 9 X 260 | | 600 |
| | 085-14500-00 | RUBBER PIPE | 1 | 4.5 X 9 X 220, Electric Start | | 600 |
| 355 | 056-11100-20 | HOSE CLAMP | 3 | | | 600 |
| 356 | 056-10800-10 | HOSE CLAMP | 4 | | | 600 |
| 360 | 228-62610-01 | FUEL PIPE 10 CP | 1 | | | 600 |
| | 228-62611-01 | FUEL PIPE 11 CP | 1 | Electric Start | | 600 |
| 370 | 085-10600-00 | RUBBER PIPE | 1 | 6 X 12 X 90 | | 600 |
| | 085-10600-00 | RUBBER PIPE | 1 | 6 X 12 X 250, Electric Start | | 600 |
| 375 | 056-11100-20 | HOSE CLAMP | 1 | | | 600 |
| 380 | 052-10500-12 | BANJO | 1 | | | 600 |
| | | | | | | |
| | | | | | | |
| | | | | | | |

SECTION 6 FUEL, LUBRICANT GROUP

FIG. 600

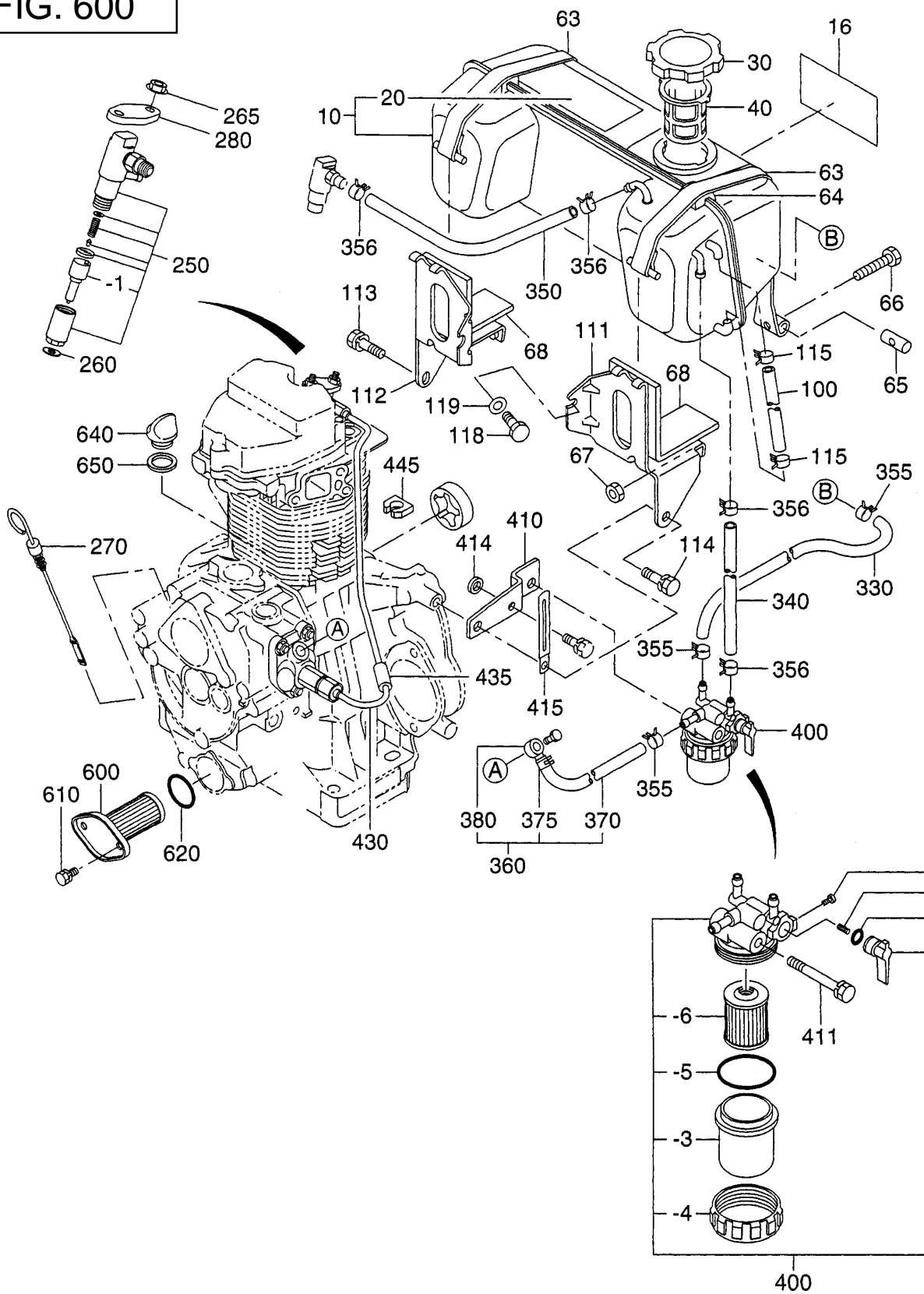
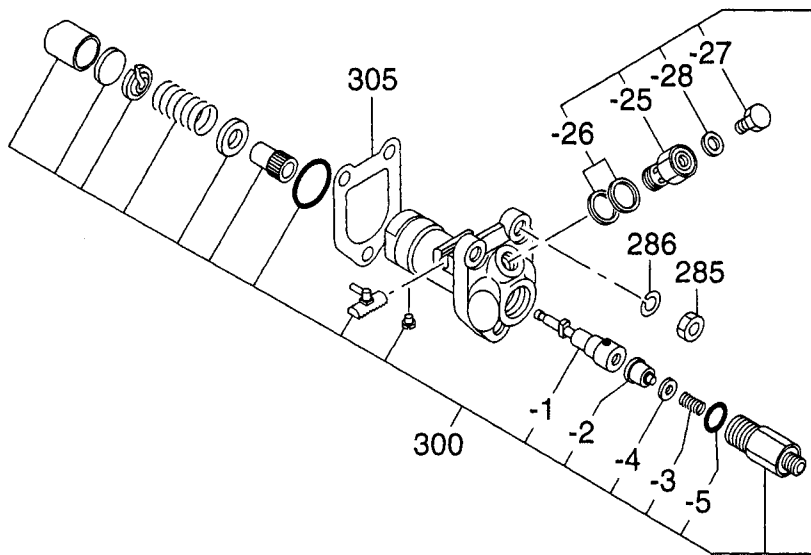


FIG. 610

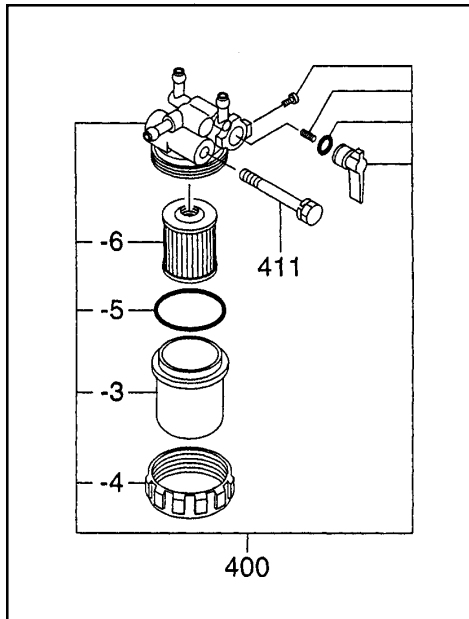
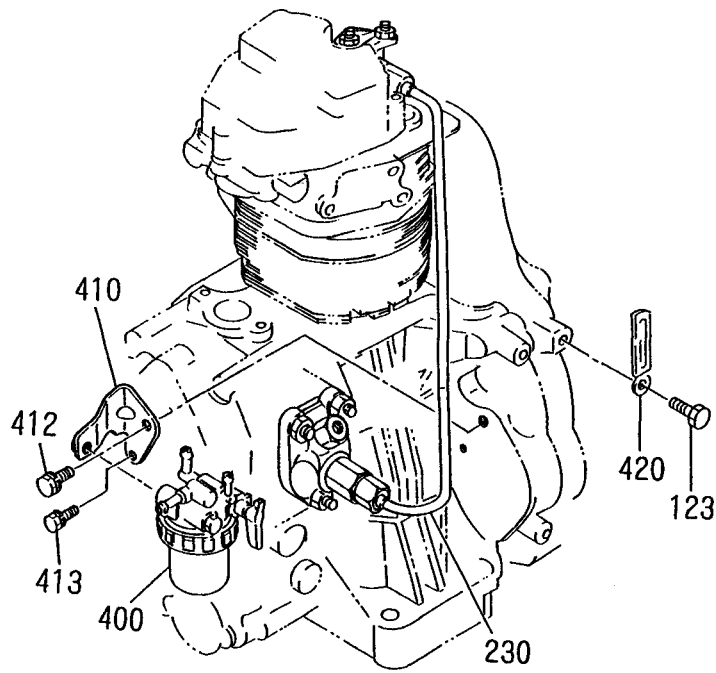


SECTION 6 FUEL, LUBRICANT GROUP - INJECTION PUMP

| REF. | PART NO. | DESCRIPTION | QTY. | REMARKS | FROM-TO | FIG. |
|------|--------------|-------------------|------|-----------------------|---------|------|
| 285 | 002-18080-00 | NUT | 3 | | | 610 |
| 286 | 003-20080-00 | SPRING WASHER | 3 | | | 610 |
| 300 | 228-63120-00 | INJECTION PUMP AY | 1 | DY30 / DY35 / DY41 | | 610 |
| -1 | 228-63102-08 | PLUNGER AY | 1 | DY30 / DY35 /DY41 | | 610 |
| -2 | 228-63103-08 | DELIVERY VALVE | 1 | DY30 / DY35 /DY41 | | 610 |
| -3 | 222-63104-08 | SPRING VALVE | 1 | DY30 / DY35 /DY41 | | 610 |
| -4 | 222-63105-08 | GASKET | 1 | DY30 / DY35 /DY41 | | 610 |
| -5 | 228-63105-08 | O RING | 1 | DY30 / DY35 /DY41 | | 610 |
| 300 | 228-63110-10 | INJECTION PUMP AY | 1 | DY42 | | 610 |
| -1 | 228-63119-08 | PLUNGER AY | 1 | DY42 | | 610 |
| -2 | 228-63103-08 | DELIVERY VALVE | 1 | DY42 | | 610 |
| -3 | 228-63124-08 | SPRING VALVE | 1 | DY42 | | 610 |
| -4 | 222-63105-08 | GASKET | 1 | DY42 | | 610 |
| -5 | 228-63105-08 | O RING | 1 | DY42 | | 610 |
| -25 | 228-63112-08 | BOLT | 1 | DY42 | | 610 |
| -26 | 228-63116-08 | GASKET | 2 | DY42 | | 610 |
| -27 | 228-63113-08 | BOLT | 1 | DY42 | | 610 |
| -28 | 211-63212-08 | GASKET | 1 | DY42 | | 610 |
| 305 | 228-65017-03 | GASKET, T= 0.1 | 1 | Select one piece only | | 610 |
| | 228-65022-03 | GASKET, T= 0.2 | 1 | Select one piece only | | 610 |
| | 228-65018-03 | GASKET, T= 0.3 | 1 | Select one piece only | | 610 |
| | | | | | | |
| | | | | | | |
| | | | | | | |
| | | | | | | |
| | | | | | | |
| | | | | | | |
| | | | | | | |
| | | | | | | |
| | | | | | | |
| | | | | | | |
| | | | | | | |
| | | | | | | |
| | | | | | | |
| | | | | | | |
| | | | | | | |
| | | | | | | |
| | | | | | | |
| | | | | | | |
| | | | | | | |
| | | | | | | |
| | | | | | | |
| | | | | | | |
| | | | | | | |
| | | | | | | |
| | | | | | | |
| | | | | | | |
| | | | | | | |
| | | | | | | |
| | | | | | | |
| | | | | | | |
| | | | | | | |

FIG. 620

Without Starting Motor



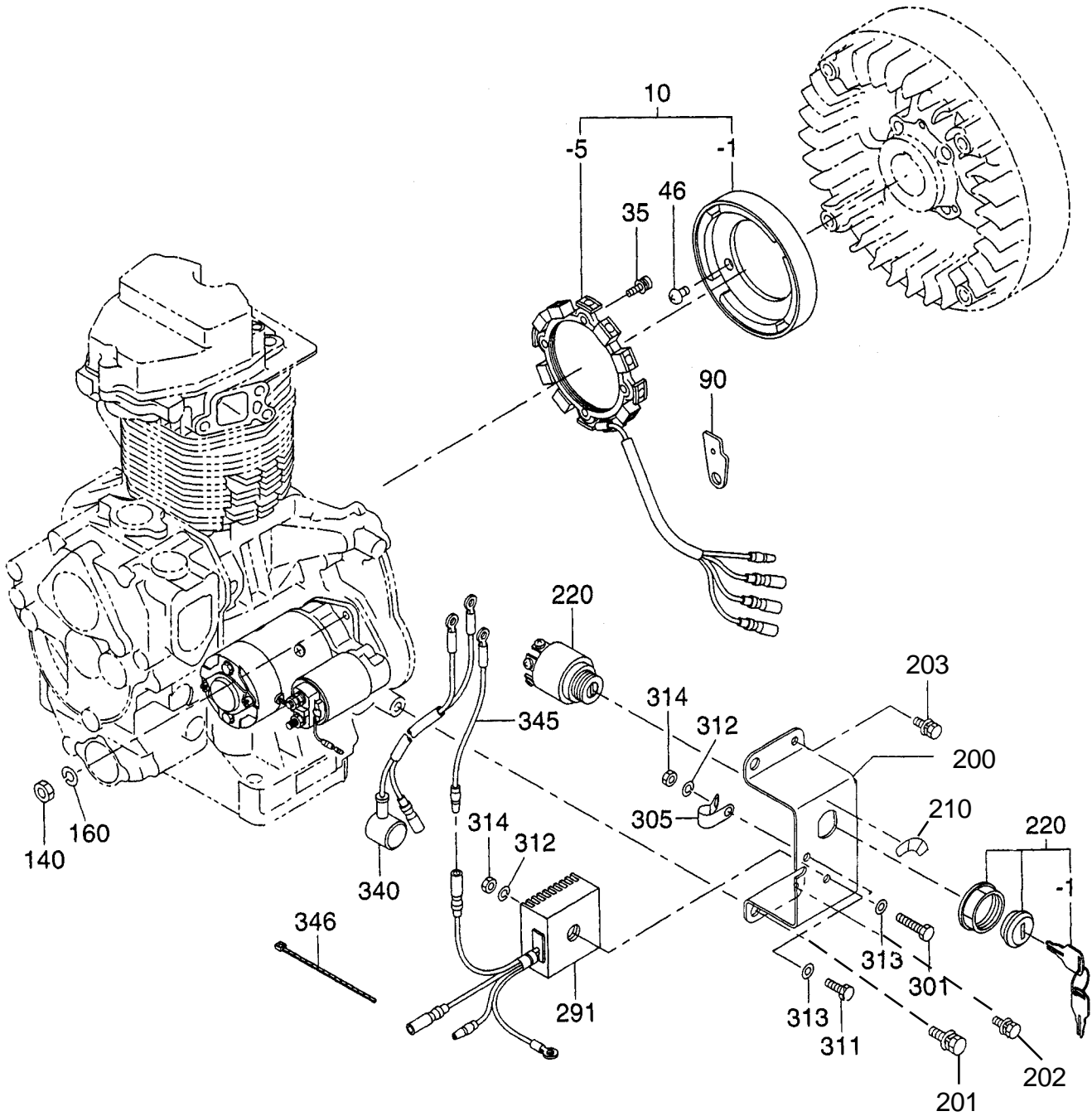
SECTION 6

FUEL, LUBRICANT GROUP

| REF. | PART NO. | DESCRIPTION | QTY. | REMARKS | FROM-TO | FIG. |
|------|--------------|------------------------|------|-------------|---------|------|
| 123 | 001-10061-00 | BOLT and WASHER AY | 1 | | | 620 |
| 230 | 228-63302-01 | INJECTION PIPE | 1 | DY30 / DY35 | | 620 |
| | 231-63301-01 | INJECTION PIPE, compl. | 1 | DY41 / DY42 | | 620 |
| 400 | 228-62106-10 | FUEL FILTER AY | 1 | | | 620 |
| -3 | 243-62101-08 | CUP | 1 | | | 620 |
| -4 | 228-62108-08 | RING NUT | 1 | | | 620 |
| -5 | 228-62109-08 | O RING | 1 | | | 620 |
| -6 | 228-62110-08 | ELEMENT | 1 | | | 620 |
| 410 | 228-67630-01 | FUEL FILTER BRACKET | 1 | | | 620 |
| 411 | 001-13086-50 | BOLT and WASHER AY | 1 | | | 620 |
| 412 | 001-13082-00 | BOLT and WASHER AY | 1 | | | 620 |
| 413 | 001-13061-80 | BOLT and WASHER AY | 1 | | | 620 |
| 420 | 150-75201-03 | CLAMP | 1 | | | 620 |
| | | | | | | |
| | | | | | | |
| | | | | | | |
| | | | | | | |
| | | | | | | |
| | | | | | | |
| | | | | | | |
| | | | | | | |
| | | | | | | |
| | | | | | | |
| | | | | | | |
| | | | | | | |
| | | | | | | |
| | | | | | | |
| | | | | | | |
| | | | | | | |
| | | | | | | |
| | | | | | | |
| | | | | | | |
| | | | | | | |
| | | | | | | |
| | | | | | | |
| | | | | | | |
| | | | | | | |
| | | | | | | |
| | | | | | | |
| | | | | | | |
| | | | | | | |
| | | | | | | |
| | | | | | | |
| | | | | | | |
| | | | | | | |
| | | | | | | |
| | | | | | | |
| | | | | | | |
| | | | | | | |
| | | | | | | |
| | | | | | | |
| | | | | | | |

SECTION 7 ELECTRIC DEVICE GROUP

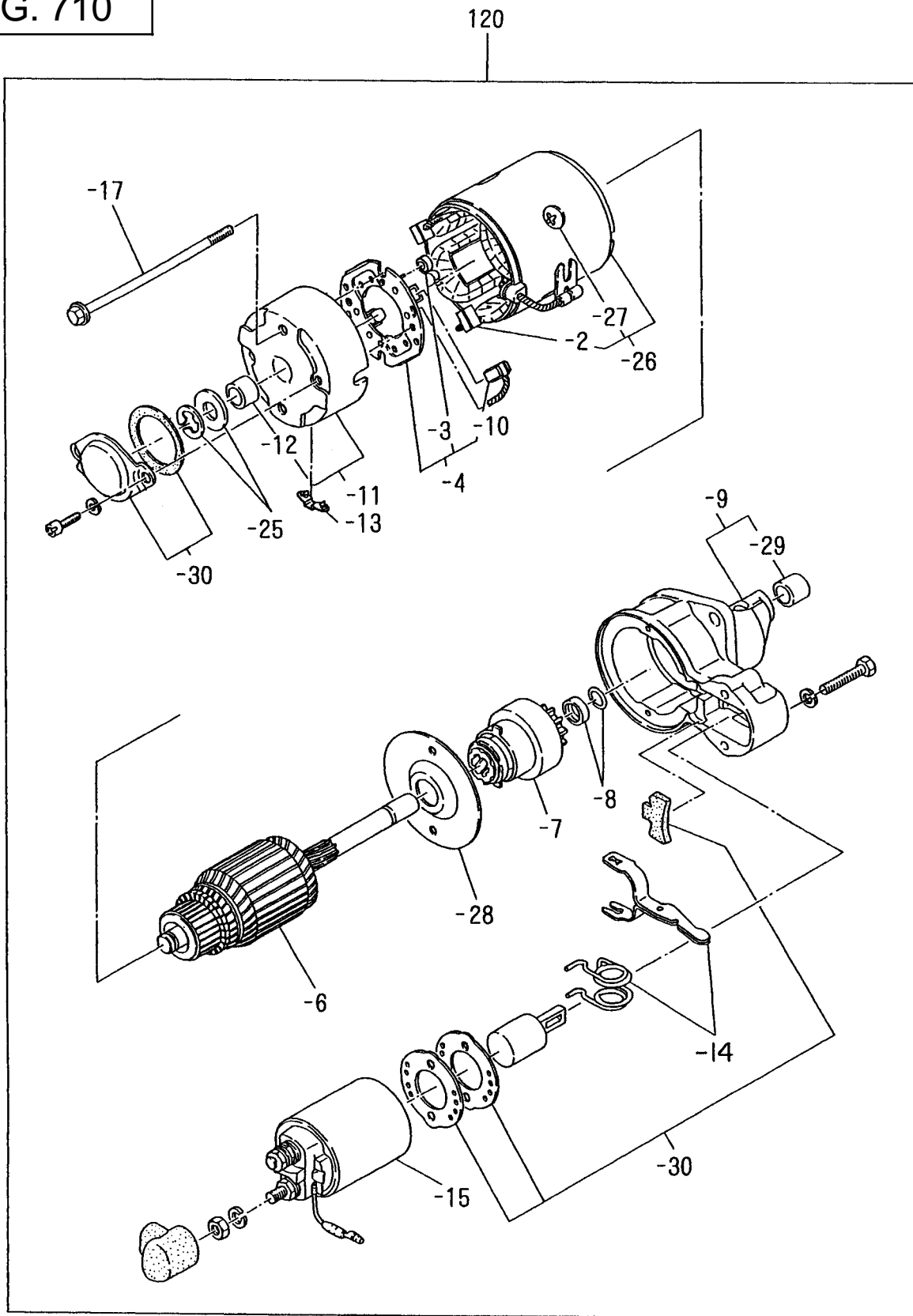
FIG. 700



SECTION 7 ELECTRIC DEVICE GROUP

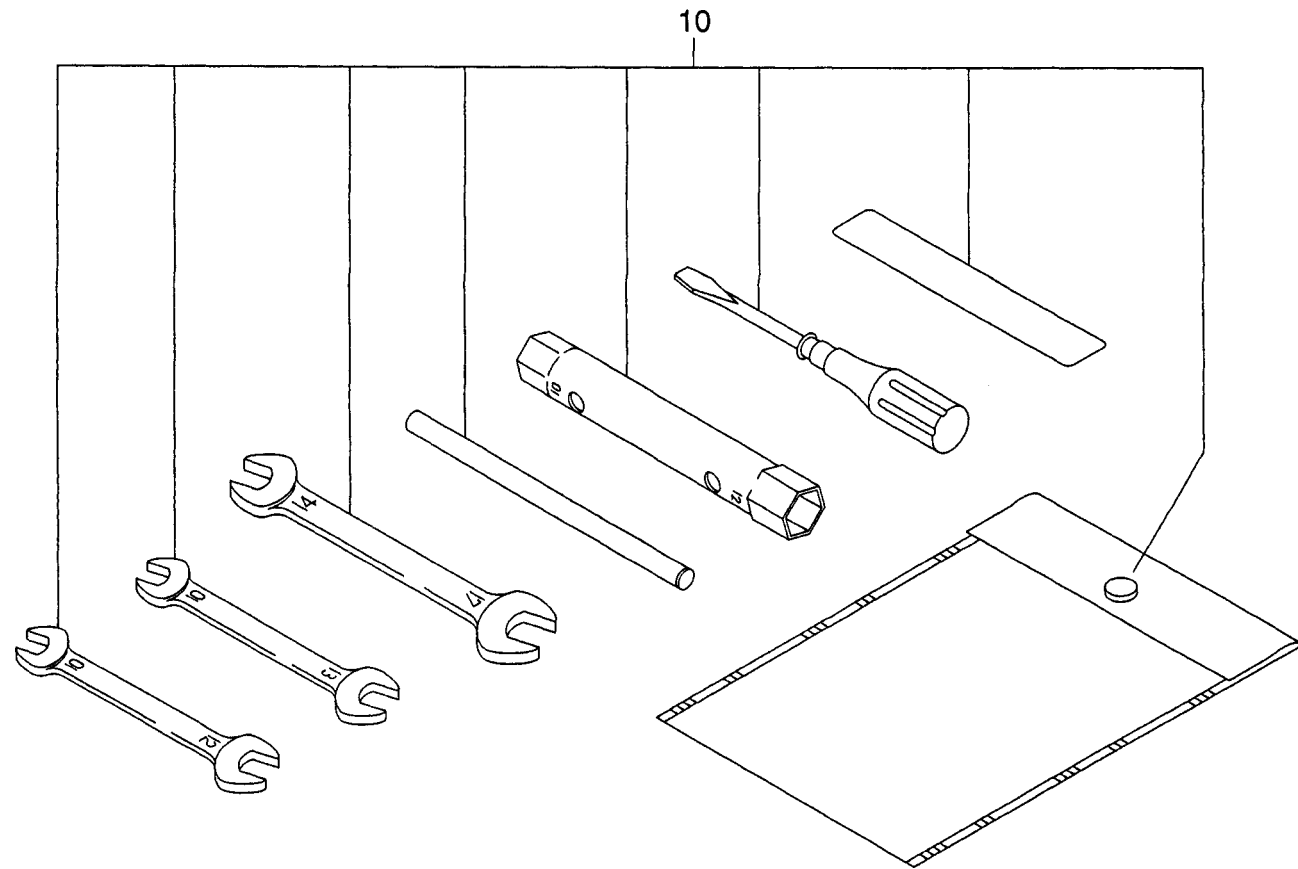
| REF. | PART NO. | DESCRIPTION | QTY. | REMARKS | FROM-TO | FIG. |
|------|--------------|-----------------------|------|--------------------------|---------|------|
| 10 | 228-70401-01 | GENERATOR CP | 1 | STD. 30 watt | | 700 |
| | 228-70402-01 | GENERATOR CP | 1 | 45 watt | | 700 |
| | 228-70412-01 | GENERATOR CP | 1 | 65 watt | | 700 |
| | 228-70410-01 | GENERATOR CP | 1 | 180 watt | | 700 |
| -1 | 228-70401-08 | FLYWHEEL | 1 | STD. 30 watt | | 700 |
| | 228-70404-08 | FLYWHEEL | 1 | 45 watt | | 700 |
| | 228-70415-08 | FLYWHEEL | 1 | 65 watt | | 700 |
| | 228-70410-08 | FLYWHEEL | 1 | 180 watt | | 700 |
| -5 | 228-70402-08 | STATOR CP | 1 | STD. 30 watt | | 700 |
| | 228-70403-08 | STATOR CP | 1 | 45 watt | | 700 |
| | 228-70414-08 | STATOR CP | 1 | 65 watt | | 700 |
| | 228-70411-08 | STATOR CP | 1 | 180 watt | | 700 |
| 35 | 004-35041-20 | SCREW and WASHER AY | 4 | | | 700 |
| 46 | 004-11061-00 | SCREW | 3 | | | 700 |
| 90 | 228-75002-01 | CLAMP CP | 1 | | | 700 |
| 140 | 002-18080-00 | NUT | 2 | | | 700 |
| 160 | 003-20080-00 | SPRING WASHER | 2 | | | 700 |
| 200 | 228-40630-01 | CONTROL BOX | 1 | | | 700 |
| 201 | 001-13082-00 | BOLT and WASHER AY | 1 | | | 700 |
| 202 | 001-13061-20 | BOLT and WASHER AY | 1 | | | 700 |
| 203 | 001-13062-00 | BOLT and WASHER AY | 1 | | | 700 |
| 210 | 073-20010-90 | LABEL, starter switch | 1 | | | 700 |
| 220 | 066-00003-30 | SWITCH | 1 | | | 700 |
| -1 | 066-00099-80 | KEY | 2 | | | 700 |
| 291 | 228-71901-01 | REGULATOR CP | 1 | 30 & 45 & 65 watt | | 700 |
| | 228-71910-01 | REGULATOR CP | 1 | 180 watt | | 700 |
| 301 | 001-65062-50 | BOLT | 1 | | | 700 |
| 305 | 056-61000-21 | CLAMP | 1 | | | 700 |
| 311 | 001-65061-00 | BOLT | 1 | | | 700 |
| 312 | 003-2060-00 | SPRING WASHER | 2 | | | 700 |
| 313 | 003-10060-00 | WASHER | 2 | | | 700 |
| 314 | 002-17060-00 | NUT | 2 | | | 700 |
| 340 | 228-73101-01 | WIRE 1 CP | 1 | | | 700 |
| 345 | 228-73108-01 | WIRE 2 CP | 1 | | | 700 |
| 346 | 056-30000-20 | WIRE BAND | 1 | | | 700 |
| * | 228-73122-01 | WIRE 5 CP | 1 | 180 watt only, Not Shown | | |
| | | | | | | |
| | | | | | | |
| | | | | | | |
| | | | | | | |
| | | | | | | |
| | | | | | | |
| | | | | | | |
| | | | | | | |
| | | | | | | |
| | | | | | | |
| | | | | | | |
| | | | | | | |
| | | | | | | |
| | | | | | | |

FIG. 710

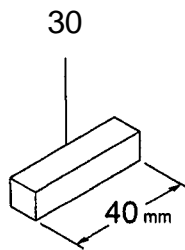
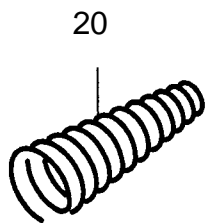


SECTION 8 ACCESSORIES GROUP

FIG. 800



LOOSE SHIP PARTS



PRINTED IN THE USA

Free Manuals Download Website

<http://myh66.com>

<http://usermanuals.us>

<http://www.somanuals.com>

<http://www.4manuals.cc>

<http://www.manual-lib.com>

<http://www.404manual.com>

<http://www.luxmanual.com>

<http://aubethermostatmanual.com>

Golf course search by state

<http://golfingnear.com>

Email search by domain

<http://emailbydomain.com>

Auto manuals search

<http://auto.somanuals.com>

TV manuals search

<http://tv.somanuals.com>