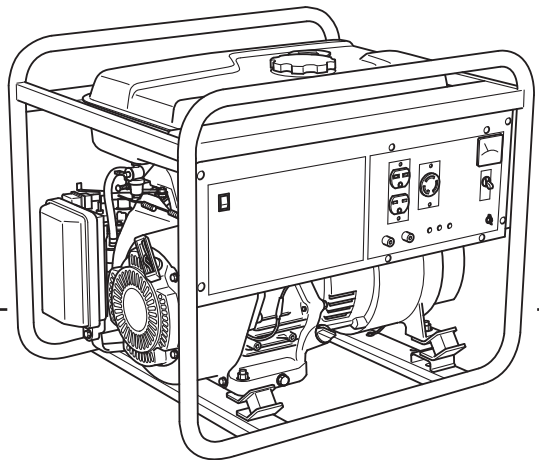


RGX2900

RGX3600

RGX4800

INSTRUCTIONS FOR USE



3ZZ9990184

(英 · 露 · 亜)

Robin Generator

FOREWORD

Thank you for purchasing a Robin generator.

This manual covers operation and maintenance of the Robin generators. All information in this publication is based on the latest production information available at the time of approval for printing.

Pay special attention to statements preceded by the following words:

WARNING

Indicates a strong possibility of severe personal injury, loss of life and equipment damage if instructions are not followed.

[CAUTION]

Indicates a possibility of personal injury or equipment damage if instructions are not followed.

NOTE :

Gives helpful information.

If a problem should arise, or if you have any questions about the generator, consult an authorized dealer or service shop

WARNING

- **The generator is designed to give safe and dependable service if operated according to instructions.**
- **Do not operate the generator before you have read and understood the instructions. Failure to do so could result in death, personal injury or equipment damage.**

CONTENTS

1. SAFETY PRECAUTIONS	•••••	•1
2. SPECIFICATIONS	•••••	•3
3. COMPONENTS	•••••	•4
4. PRE-OPERATION CHECKS	•••••	•7
5. OPERATING PROCEDURES	•••••	•10
6. WATTAGE INFORMATION	•••••	•17
7. MAINTENANCE SCHEDULE	•••••	•19
8. "HOW-TO" MAINTENANCE	•••••	•20
9. PREPARATION FOR STORAGE	•••••	•22
10. TROUBLESHOOTING	•••••	•23
11. WIRING DIAGRAM	•••••	•24

1. SAFETY PRECAUTIONS

Please make sure you review each precaution carefully.

⚠ WARNING

Do not operate the generator near gasoline or gaseous fuel because of the potential danger of explosion or fire.

Do not fill the fuel tank with fuel while the engine is running. Do not smoke or use open flame near the fuel tank. Be careful not to spill fuel during refueling. If fuel is spilt, wipe it off and let dry before starting the engine.



⚠ WARNING

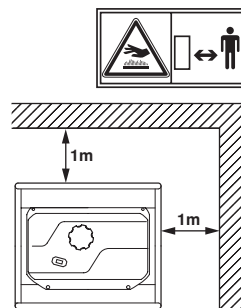
Do not place in flammables near the generator.

Be careful not to place fuel, matches, gunpowder, oily cloths, straw, trash, or any other in flammables near the generator.

⚠ WARNING

Do not operate the generator inside a room, cave, tunnel, or other insufficiently ventilated area. Always operate it in a well-ventilated area, otherwise the engine may become overheated, and the poisonous carbon monoxide gas contained in the exhaust gases will endanger human lives. Keep the generator at least 1 meter (3 feet) away from any structure or building during use.

If the generator must be used indoors, the area must be well-ventilated and extreme caution must be taken regarding the discharge of exhaust gases.



⚠ WARNING

Do not enclose the generator nor cover it with a box.

The generator has a built-in forced air cooling system, and may become overheated if it is enclosed.

If generator has been covered to protect it from the weather during non use, be sure to remove it and keep it well away from the area during generator use.

⚠ WARNING

Operate the generator on a level surface.

It is not necessary to prepare a special foundation for the generator.

However, the generator will vibrate on an irregular surface, so choose a level place without surface irregularities.

If the generator is tilted or moved during operation, fuel may spill and / or the generator may tip over, causing a hazardous situation.

Proper lubrication cannot be expected if the generator is operated on a steep incline or slope. In such a case, piston seizure may occur even if the oil is above the upper level.

⚠ WARNING

Pay attention to the wiring or extension cords from the generator to the connected device.

If the wire is under the generator or in contact with a vibrating part, it may break and possibly cause a fire, generator burnout, or electric shock hazard.

Replace damaged or worn cords immediately.



⚠ WARNING

Do not operate in rain, in wet or damp conditions, or with wet hands.
The operator may suffer severe electric shock if the generator is wet due to rain or snow.

⚠ WARNING

If wet, wipe and dry it well before starting. Do not pour water directly over the generator, nor wash it with water.

⚠ WARNING

Be extremely careful that all necessary electrical grounding procedures are followed during each and every use. Failure to do so can be fatal.

⚠ WARNING

Do not contact the generator to a commercial power line. Connection to a commercial power line may short circuit the generator and ruin it or cause electric shock hazard. Use the transfer switch for connecting to domestic circuit.



⚠ WARNING

No smoking while handling the battery. The battery emits flammable hydrogen gas, which can explode if exposed to electric arcing or open flame. Keep the area well-ventilated and keep open flames/sparks away when handling the battery.



⚠ WARNING

Engine becomes extremely hot during and for some time after operation. Keep combustible materials well away from generator area. Be very careful not to touch any parts of the hot engine especially the muffler area or serious burns may result.



⚠ WARNING

Keep children and all bystanders at a safe distance from work areas.

⚠ WARNING

It is absolutely essential that you know the safe and proper use of the power tool or appliance that you intend to use. All operators must read, understand and follow the tool/appliance owners manual. Tool and appliance applications and limitations must be understood. Follow all directions given on labels and warnings. Keep all instruction manuals and literature in a safe place for future reference.

⚠ WARNING

Use only "LISTED" extension cords.
When a tool or appliance is used outdoors, use only extension cords marked "For Outdoor Use".
Extension cords, when not in use should be stored in a dry and well ventilated area.

⚠ WARNING

Always switch off generator's AC circuit breaker and disconnect tools or appliances when not in use, before servicing, adjusting, or installing accessories and attachments.

[CAUTION]

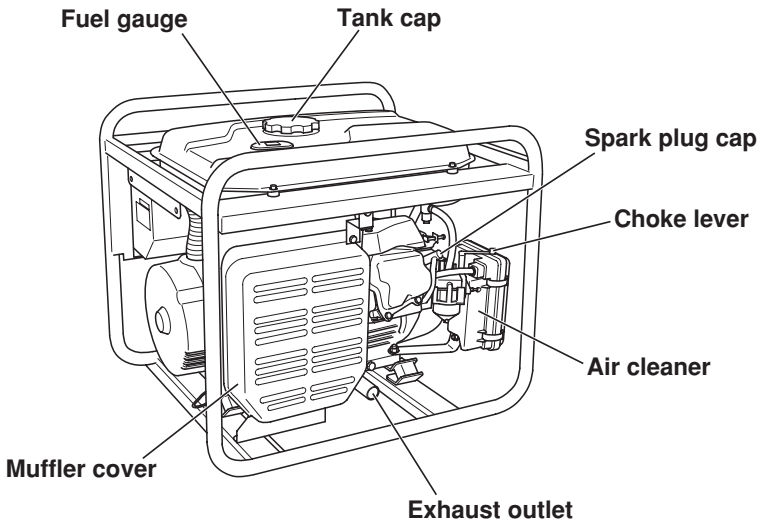
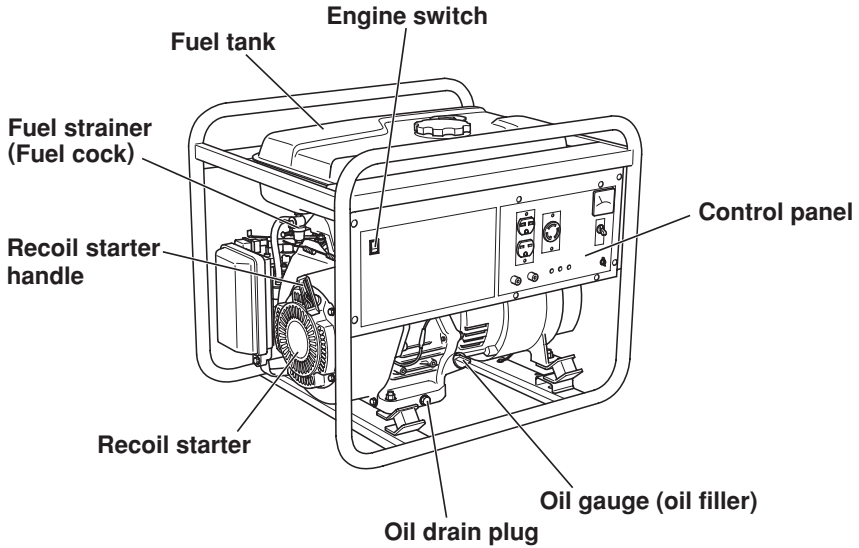
Make sure the engine is stopped before starting any maintenance, servicing or repair.
Make sure maintenance and repair of the generator set are performed by properly trained personnel only.

2. SPECIFICATIONS

MODEL		RGX2900	RGX3600	RGX4800	
Generator	Type	Brush-less, self-exciting, 2-poles, single phase			
	Voltage regulating system	Condenser type			
	AC Output				
	Rated voltage-Frequency V-Hz	220-50, 240-50, 230-50, 120/240-60			
	Rated output kVA (kW)	50Hz	2	2.4	3.5
		60Hz	2.4	2.9	4.1
	Maximum output kVA (kW)	50Hz	2.4	3	4.1
		60Hz	2.9	3.6	4.8
	Rated power factor	1.0			
	Safety device type	Fuse-less circuit breaker			
DC Output	Rated voltage V	12			
	Rated current A	8.3			
	Safety device type	Fuse-less circuit breaker			
Engine	Model	EX17D	EX21D	EX27D	
	Type	ROBIN, Air-cooled, 4-stroke, OHC			
	Displacement mL	169	211	265	
	Fuel	Automotive Unleaded Gasoline			
	Fuel tank capacity L	16.6			
	Rated continuous operation H	50Hz	12	9.5	7
		60Hz	10.5	8.4	6
	Engine oil capacity L	0.6		1.0	
	Spark plug	BR-6HS (NGK) (Champion; RL86C)			
Starting system	Recoil starter				
Dimension	Length mm	580	605	650	
	Width mm	420	450	510	
	Height mm	480	500	540	
	Dry weight kg	48	54	70	

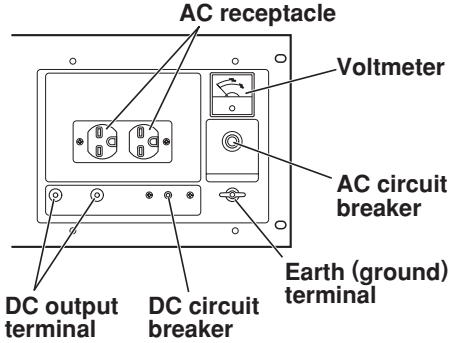
Specifications are subject to change without notice.

3. COMPONENTS

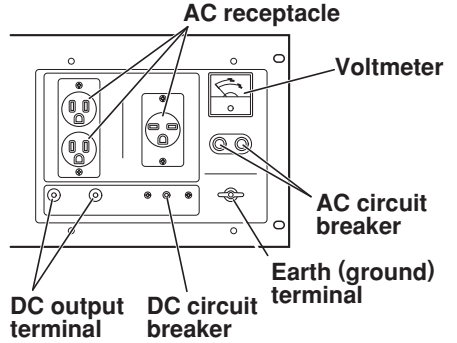


CONTROL PANEL

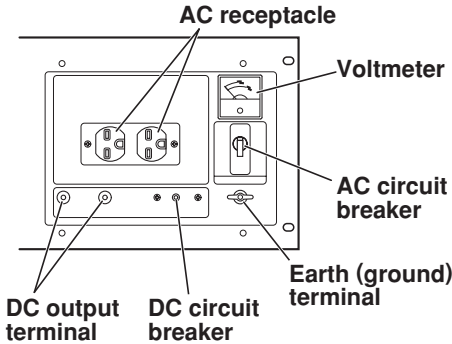
RGX2900
(50Hz-220V, 240V)



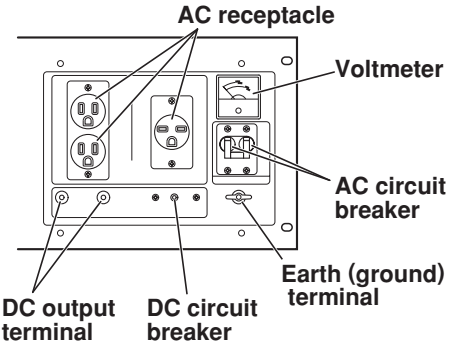
(60Hz-120/240V)



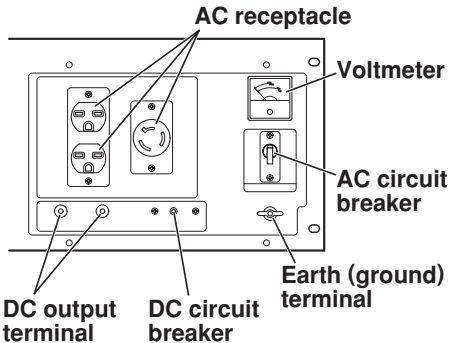
RGX3600
(50Hz-220V, 240V)



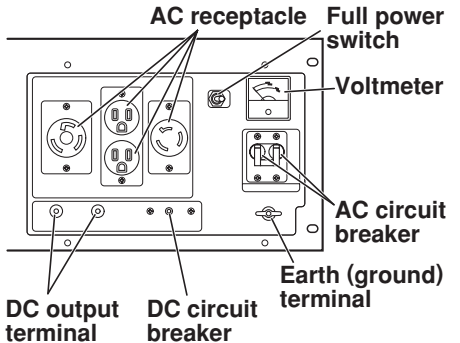
(60Hz-120/240V)



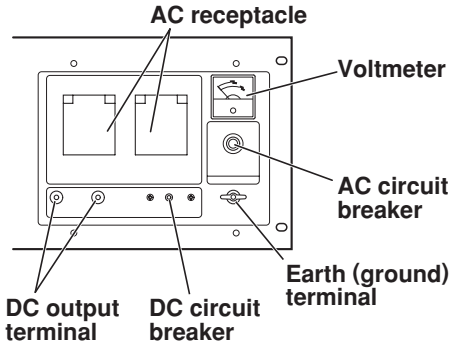
RGX4800
(50Hz-220V, 240V)



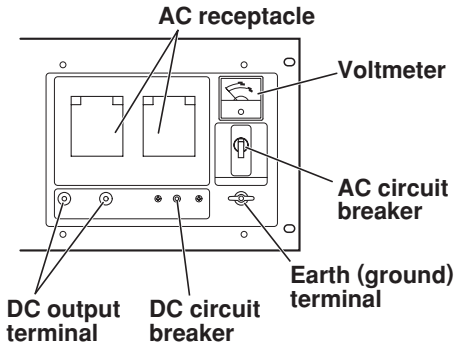
(60Hz-120/240V)



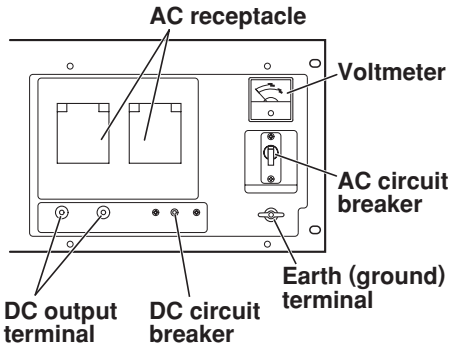
RGX2900
(50Hz-230V)



RGX3600
(50Hz-230V)



RGX4800
(50Hz-230V)

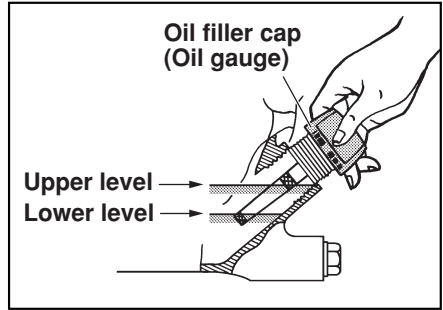


4. PRE-OPERATION CHECKS

CHECK ENGINE OIL

Before checking or refilling oil, be sure generator is located on stable and level surface with engine stopped.

- Remove oil filler cap and check the engine oil level.
- If oil level is below the lower level line, refill with suitable oil (see table) to upper level line. Do not screw in the oil filler cap when checking oil level.
- Change oil if contaminated.
(See "How-To" Maintenance.)



Oil capacity (Upper level) : (L)	
RGX2900	0.6
RGX3600	0.6
RGX4800	1.0

Recommended engine oil :

Use 4-stroke automotive detergent oil of API service class **SE** or higher grade (**SG, SH** or **SJ** is recommended). **SAE 10W-30** or **10W-40** is recommended for general, all-temperature use. If single viscosity oil is used, select the appropriate viscosity for the average temperature in your area.

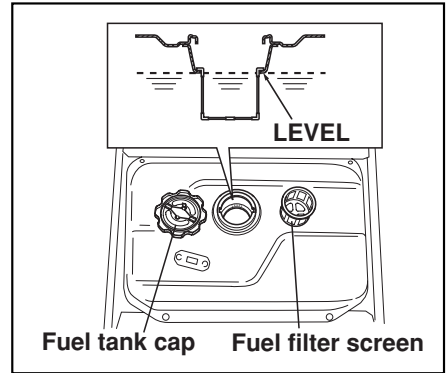
Single grade	5W						
	10W						
	20W						
	#20						
	#30						
Multigrade	10W-30						
	10W-40						
Ambient temperature	-20	-10	0	10	20	30	40°C
	-4	14	32	50	68	86	104°F

CHECK ENGINE FUEL.

⚠ WARNING

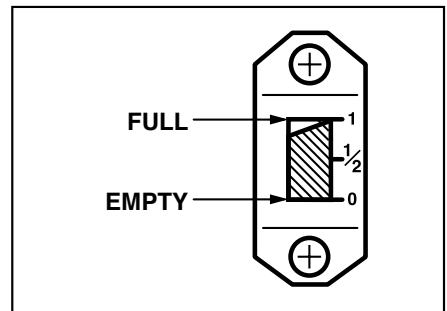
Do not refuel while smoking or near open flame or other such potential fire hazards. Otherwise fire accident may occur.

- Check fuel level at fuel level gauge.
- If fuel level is low, refill with unleaded automotive gasoline.
- Be sure to use the fuel filter screen on the fuel filter neck.



Fuel Amount
up to "LEVEL" position

12.8 liters



⚠ WARNING

Make sure you review each warning in order to prevent fire hazard.

- Do not refill tank while engine is running or hot.
- Close fuel cock before refueling with fuel.
- Be careful not to admit dust, dirt, water or other foreign objects into fuel.
- Wipe off spilled fuel thoroughly before starting engine.
- Keep open flames away.

CHECKING COMPONENT PARTS

Check following items before starting engine:

- Fuel leakage from fuel hose, etc.
- Bolts and nuts for looseness.
- Components for damage or breakage.
- Generator not resting on or against any adjacent wiring.

CHECK GENERATOR SURROUNDINGS

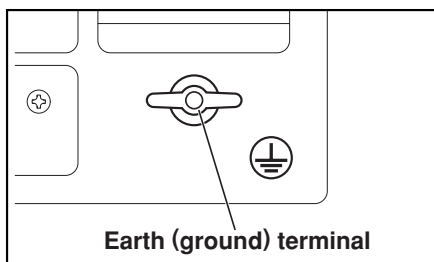
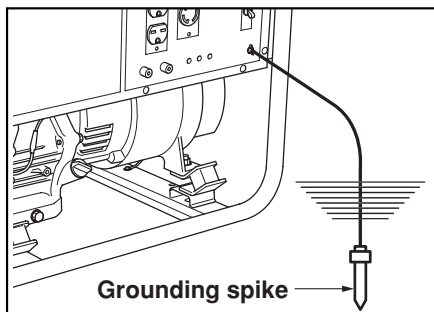
⚠ WARNING

Make sure you review each warning in order to prevent fire hazard.

- Keep area clear of in flammables or other hazardous materials.
- Keep generator at least 3 feet (1 meter) away from buildings or other structures.
- Only operate generator in a dry, well ventilated area.
- Keep exhaust pipe clear of foreign objects.
- Keep generator away from open flame. No smoking!
- Keep generator on a stable and level surface.
- Do not block generator air vents with paper or other material.

GROUNDING THE GENERATOR

- To ground the generator to the earth, connect the grounding lug of the generator to the grounding spike driven into the earth or to the conductor which has been already grounded to the earth.
- If such grounding conductor or grounding electrode is unavailable, connect the grounding lug of the generator to the grounding terminal of the using electric tool or appliance.



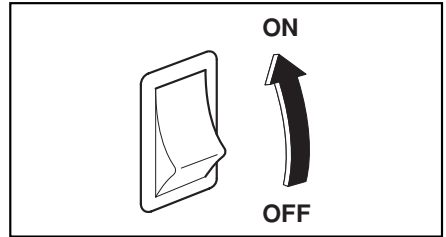
5. OPERATING PROCEDURES

STARTING THE GENERATOR

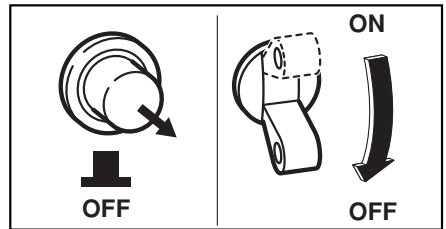
[CAUTION]

Check the oil level before each operations as outlined by the article "CHECK ENGINE OIL"

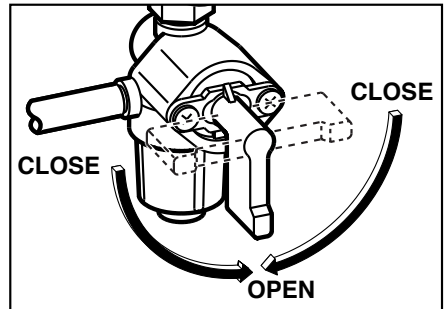
- (a) Turn the Engine switch to the position "ON".



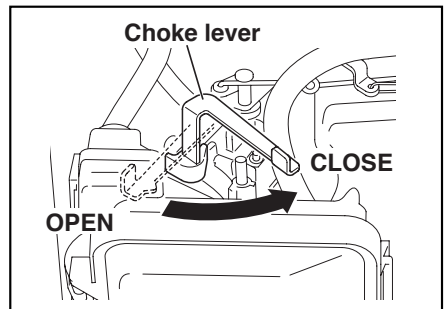
- (b) Turn the AC circuit breaker to the position "OFF".



- (c) Open the fuel cock.



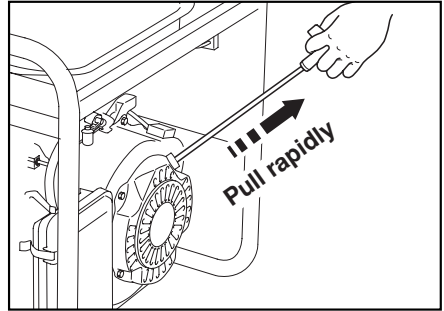
- (d) Set choke lever to close if the engine is cold.



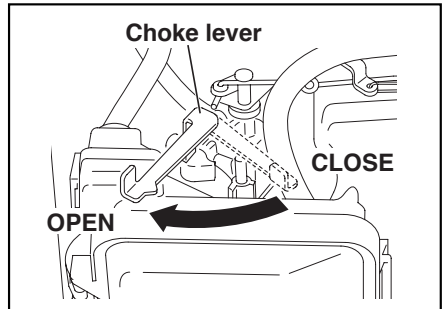
(e) Pull the starter handle slowly until resistance is felt.

This is the "compression" point. Return the handle to its original position and then pull swiftly.

- If the engine fails to start after several attempts, repeat above procedures with choke lever returned to "OPEN" position.
- Do not fully pull out the rope.
- After starting, allow the starter handle to return to its original position while still holding the handle.



(f) After the engine started, return the choke lever gradually to "OPEN" position.



(g) Warm up the engine without a load for a few minutes.

USING ELECTRIC POWER

⚠ WARNING

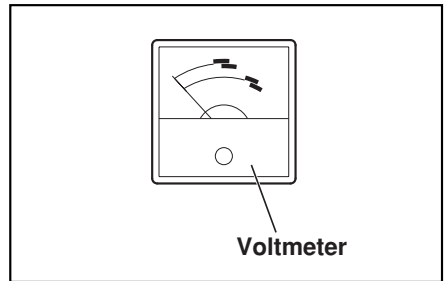
- Make sure that the appliance is switched OFF before connecting it to the generator.
- Do not move the generator while it is running.
- Be sure to ground the generator if the connected appliance is grounded. Failure to ground unit may lead to electrical shock.

(1) AC APPLICATION

A	Single voltage type
----------	----------------------------

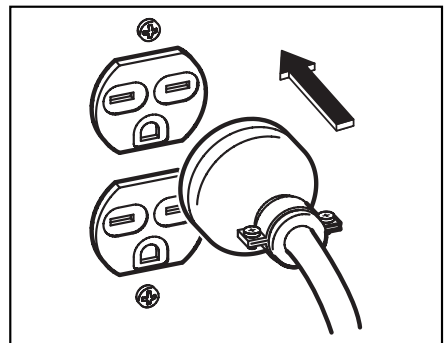
(a) Check the voltmeter for proper voltage.

- This generator is thoroughly tested and adjusted in the factory. If the generator does not produce the specified voltage, consult your nearest Robin dealer or service shop.



(b) Turn off the switch (es) of the electrical appliance (s) before connecting to the generator.

(c) Insert the plug (s) of the electrical appliance(s) into the receptacle.



- Check the amperage of the receptacles used referring to **TABLE 1**, and be sure not to take a current exceeding the specified amperage.
- Be sure that the total wattage of all appliances dose not exceed the rated output of the generator.

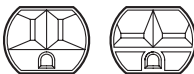


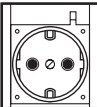
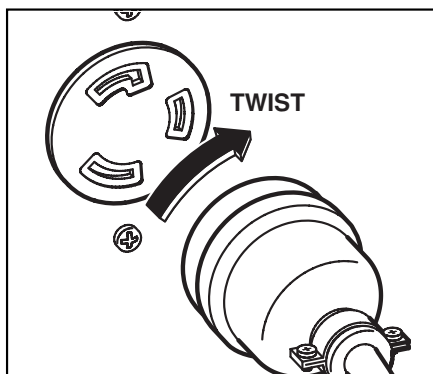
	Up to total 15 amperes from two receptacles		Up to 30 amperes
	Up to 15 amperes		Up to 16 amperes

TABLE 1

⚠ WARNING

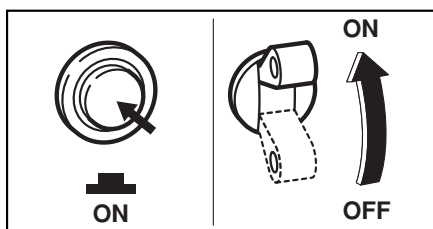
- To take power out from the **TWIST LOCK RECEPTACLE**, insert the plug into the receptacle, and turn it clockwise to the lock position.
- Be sure to ground the generator if the connected electrical device is grounded.

**NOTE :**

When the AC circuit breaker turns off during operation, the generator is overloaded or the appliance is defective. Stop the generator immediately, check the appliance and / or generator for overloading or detect and have repaired as necessary by Robin dealer or service shop.

(d) Turn the AC circuit breaker to the position "ON".

(e) Turn on the switch of the appliance.



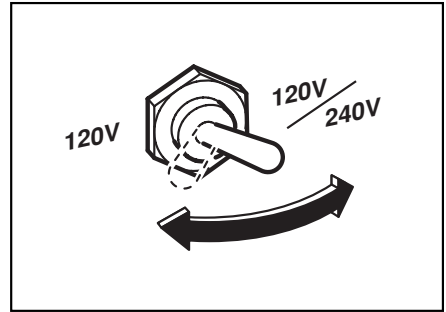
B	Dual voltage type (RGX4800)
----------	------------------------------------

FULL POWER SWITCH

- (a) Select the voltage using the FULL POWER SWITCH in accordance with the electrical appliance.
Refer to **TABLE 2**.

[CAUTION]

Change the FULL POWER SWITCH after turning the AC circuit breaker to "OFF".



- (b) Operate in the same way as step (a) through step (d) of single voltage type.

NOTE :

Voltmeter always indicates the lower voltage whichever the FULL POWER SWITCH is set.

Switch position	Lower Voltage Receptacle	Higher Voltage Receptacle
120V	Activated full rated output	N.A
120/240V	Activated half of rated output	Activated full rated output

TABLE 2

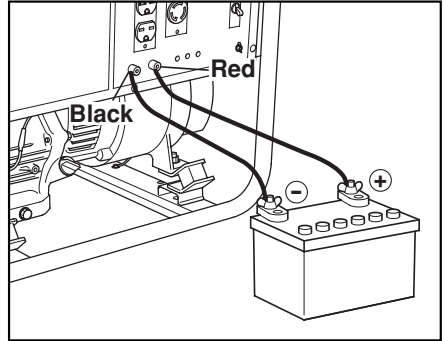
(2) DC APPLICATION

The DC terminal is used only for charging 12 volt batteries.

It provides up to 12V-8.3A (100W) of maximum power.

CONNECTION OF CABLE :

- Connect positive (red) terminal on generator to positive (+) terminal on battery.
- Connect negative (black) terminal on generator to negative (-) terminal on battery.
- Both AC and DC output can be used at the same time if the total output is within rated output of the generator.

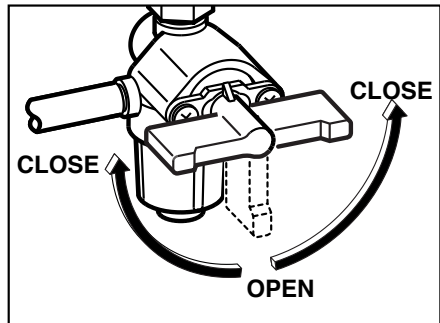
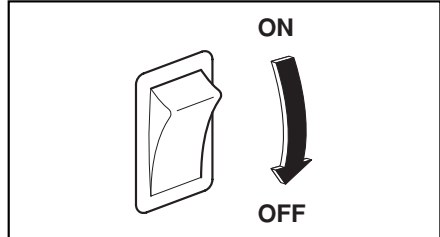
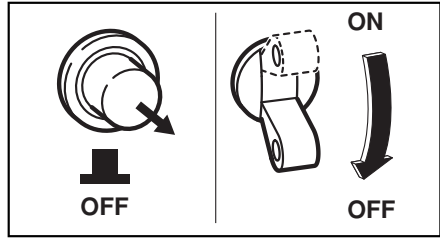


SAFETY PRECAUTIONS WHILE CHARGING

- An explosive hydrogen gas is discharged through vent holes in the battery during the charging process. Do not allow spark or open flame around the generator or battery during the charging process.
- Electrolyte fluid can burn eyes and clothing. Be extremely careful to avoid contact. If injured, wash the affected area immediately with large quantities of water and consult a doctor for treatment.
- When charging a large capacity battery or totally discharged battery, excessive current may force the DC breaker to turn off. In such cases, use a battery charger to charge a large battery with AC output.
- Battery defects may cause the DC breaker to turn off. Check the battery before replacing the DC breaker.

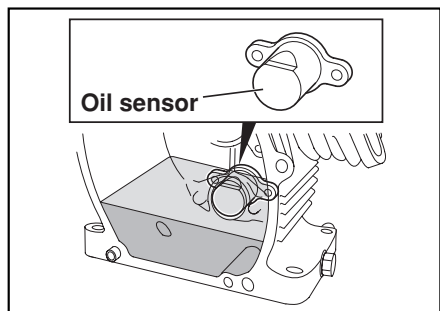
STOPPING THE GENERATOR

- (a) Turn off the power switch of the electric equipment and unplug the cord from receptacle of the generator.
- (b) Turn the AC circuit breaker to the "OFF" position.
- (c) Allow the engine about 3 minutes to cool down at no-load before stopping.
- (d) Turn the Engine switch counterclockwise to the position "OFF".
- (e) Close the fuel cock.



OIL SENSOR

- (a) The oil sensor detects the fall in oil level in the crankcase and automatically stops the engine when the oil level falls below a predetermined level.
- (b) When engine has stopped automatically, switch off generator's AC circuit breaker, and check the oil level. Refill engine oil to the upper level as instructed on page 6 and restart the engine.
- (c) If the engine does not start by usual starting procedures, check the oil level.



6. WATTAGE INFORMATION

Some appliances need a "surge" of energy when starting.

This means that the amount of electrical power needed to start the appliance may exceed the amount needed to maintain its use.

Electrical appliances and tools normally come with a label indicating voltage, cycles / Hz, amperage (amps) and electrical power needed to run the appliance or tool.

Check with your nearest dealer or service center with questions regarding power surge of certain appliances or power tools.

- Electrical loads such as incandescent lamps and hot plates require the same wattage to start as is needed to maintain use.
- Loads such as fluorescent lamps require 1.2 to 2 times the indicated wattage during start-up.
- Loads for mercury lamps require 2 to 3 times the indicated wattage during start-up.
- Electrical motors require a large starting current. Power requirements depend on the type of motor and its use. Once enough "surge" is attained to start the motor, the appliance will require only 50% to 30% of the wattage to continue running.
- Most electrical tools require 1.2 to 3 times their wattage for running under load during use. For example, a 5,000 watt generator can power a 1800 to 4000 watt electrical tool.
- Loads such as submersible pumps and air compressors require a very large force to start. They need 3 to 5 times the normal running wattage in order to start.
For example, a 5,000 watt generator would only be able to drive a 1,000 to 1,700 watt pump.

NOTE :

The following wattage chart is general guide only. Refer to your specific appliance for correct wattage.

To determine the total wattage required to run a particular electrical appliance or tool, multiply the voltage figure of the appliance/tool by the amperage (amps) figure of same. The voltage and amperage (amps) information can be found on a name plate which is normally attached to electrical appliances and tools.

Applications	Applicable Wattage (W)					
	RGX2900		RGX3600		RGX4800	
	50Hz	60Hz	50Hz	60Hz	50Hz	60Hz
Incandescent lamp, Heater	2000	2400	2400	2900	3500	4100
Fluorescent lamp, Electric tool	1100	1200	1200	1500	1800	2100
Mercury lamp	800	900	900	1100	1300	1500
Pump, Compressor	500	550	550	650	800	950

VOLTAGE DROP IN ELECTRIC EXTENSION CORDS

When a long electric extension cord is used to connect an appliance or tool to the generator, a certain amount of voltage drop or loss occurs in the extension cord which reduces the effective voltage available for the appliance or tool.

The chart below has been prepared to illustrate the approximate voltage loss when an extension cord of 300 feet (approx. 100 meters) is used to connect an appliance or tool to the generator.

Nominal cross section	A.W.G.	Allowable current	No.of strands / strands dia.	Resistance	Current Amp.							
					1A	3A	5A	8A	10A	12A	15A	
mm ²	No.	A	No./mm	Ω/100m	1A	3A	5A	8A	10A	12A	15A	Voltage drop
0.75	18	7	30/0.18	2.477	2.5V	8V	12.5V	—	—	—	—	
1.27	16	12	50/0.16	1.486	1.5V	5V	7.5V	12V	15V	18V	—	
2.0	14	17	37/0.26	0.952	1V	3V	5V	8V	10V	12V	15V	
3.5	12 to 10	23	45/0.32	0.517	—	1.5V	2.5V	4V	5V	6.5V	7.5V	
5.5	10 to 8	35	70/0.32	0.332	—	1V	2V	2.5V	3.5V	4V	5V	

7. MAINTENANCE SCHEDULE

DAILY	<ul style="list-style-type: none"> ■ Check oil level. ■ Check all components according to "PRE-OPERATION CHECKS."
EVERY 50 HOURS	<ul style="list-style-type: none"> ■ Wash cleaner element. -more often if used in dirty or dusty environments. ■ Check spark plug, clean if necessary.
EVERY 100 HOURS	<ul style="list-style-type: none"> ■ Change engine oil. *-more often if used in dusty or dirty environments.
EVERY 200 HOURS	<ul style="list-style-type: none"> ■ Adjust spark plug gap. ■ Clean fuel strainer.
EVERY 500 HOURS	<ul style="list-style-type: none"> ■ Replace spark plug and cleaner element. ■ Clean and adjust carburetor, valve clearance, and valve seat along with cylinder head.
EVERY 1,000 HOURS (24 MONTHS)	<ul style="list-style-type: none"> ■ Inspect control panel parts. ■ Check rotor and starter. ■ Replace engine mount rubber. ■ Overhaul engine. ■ Change fuel lines.

NOTE : (*)

- Initial oil change should be performed after first twenty (20) hours of use. Thereafter change oil every 100 hours.
- Before changing the oil, check for a suitable way to dispose of the old oil. Do not pour it down sewage drains, onto garden soil or into open streams. Your local zoning or environmental regulations will give you more detailed instructions on proper disposal.

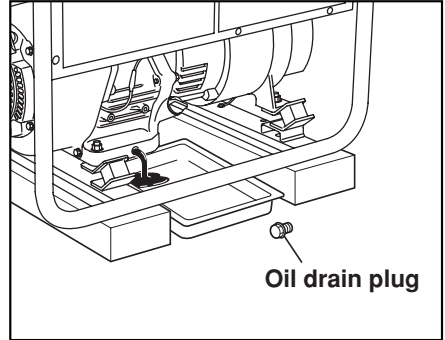
8. "HOW-TO" MAINTENANCE

ENGINE OIL CHANGE

- Change engine oil every 100 hours.
(For new engine, change oil after 20 hours.)

- (a) Drain oil by removing the drain plug and the oil filler cap while the engine is warm.
- (b) Reinstall the drain plug and fill the engine with oil until it reaches the upper level on the oil filler cap.

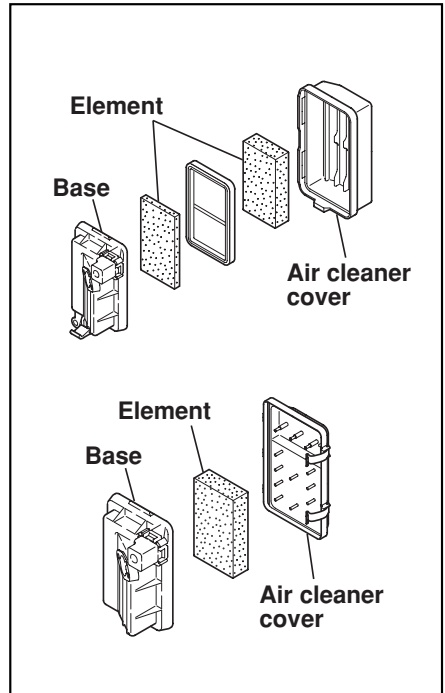
- Use fresh and high quality lubricating oil to the specified level as directed on page 7. If contaminated or deteriorated oil is used or the quantity of the engine oil is not sufficient, the engine damage will result and its life will be greatly shortened.



SERVICING THE AIR CLEANER

Maintaining an air cleaner in proper condition is very important. Dirt induced through improperly installed, improperly serviced or inadequate elements damages and wears out engines. Keep the element always clean.

- (a) Unhook the cover and remove the cleaner element.
- (b) Urethane form : Wash the element with fresh water. Squeeze out the water then dry the element.
(Do not twist.)

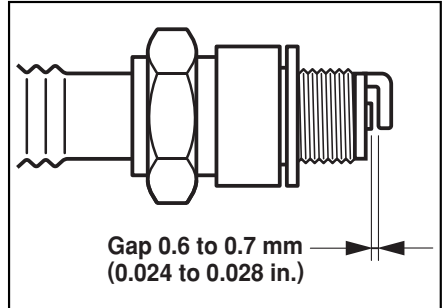


CLEANING AND ADJUSTING SPARK PLUG

- (a) If the plug is contaminated with carbon, remove it using a plug cleaner or wire brush.
- (b) Adjust the electrode gap to 0.6 to 0.7 mm (0.024 to 0.028 in.).

Spark plug :

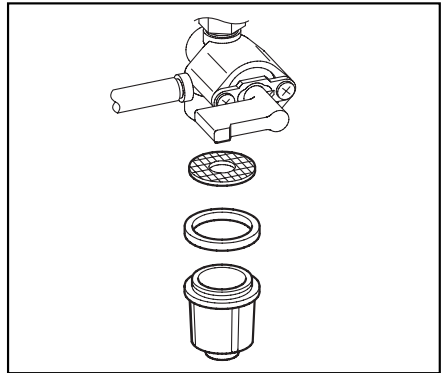
BR-6HS (NGK) or RL86C (CHAMPION)



CLEANING FUEL STRAINER

Dirt and water in the fuel are removed by the fuel strainer.

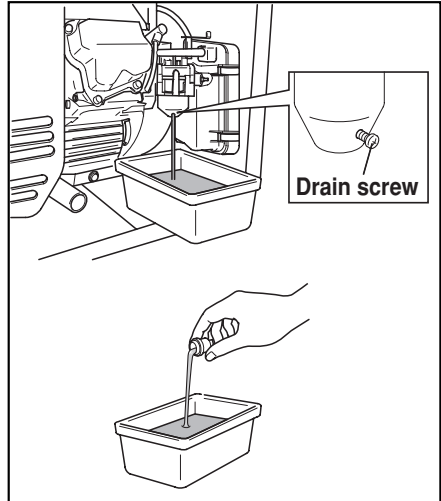
- (a) Remove the strainer cup and throw away water and dirt.
- (b) Clean the screen and strainer cup with gasoline.
- (c) Tightly fasten the cup to main body, making sure to avoid fuel leak.



9. PREPARATION FOR STORAGE

The following procedures should be followed prior to storage of your generator for periods of 6 months or longer.

- Drain fuel from fuel tank carefully by disconnecting the fuel line. Gasoline left in the fuel tank will eventually deteriorate making engine-starting difficult.
- Remove the carburetor float chamber and also drain the carburetor.
- Change engine oil.
- Check for loose bolts and screws, tighten them if necessary.



- Clean generator thoroughly with oiled cloth. Spray with preservative if available. **NEVER USE WATER TO CLEAN GENERATOR !**
- Pull starter handle until resistance is felt, leaving handle in that position.
- Store generator in a well ventilated, low humidity area.

10. TROUBLESHOOTING

When generator engine fails to start after several attempts, or if no electricity is available at the output socket, check the following chart. If your generator still fails to start or generate electricity, contact your nearest Robin dealer or service shop for further information or corrective procedures.

When Engine Fails to Start :

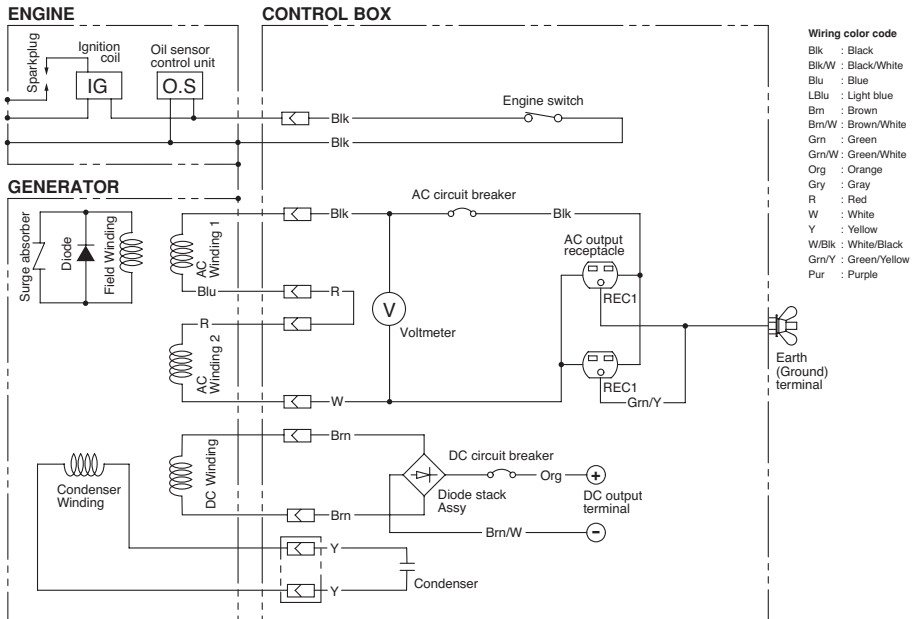
Check if choke lever is in its proper position.		Set the choke lever to "CLOSE" position.
Check if fuel cock is open.	↔	If closed, open fuel cock.
Check fuel level.		If empty, refill fuel tank making sure not to overfill.
Check if engine switch is in OFF.		Turn engine switch to ON.
Check to make sure generator is not connected to an appliance.		If connected, turn off the power switch on the connected appliance and unplug.
Check spark plug for loose spark plug cap.	↔	If loose, push spark plug cap back into place.
Check spark plug for contamination.		Remove spark plug and clean electrode.

When No Electricity Is Generated at Receptacle :

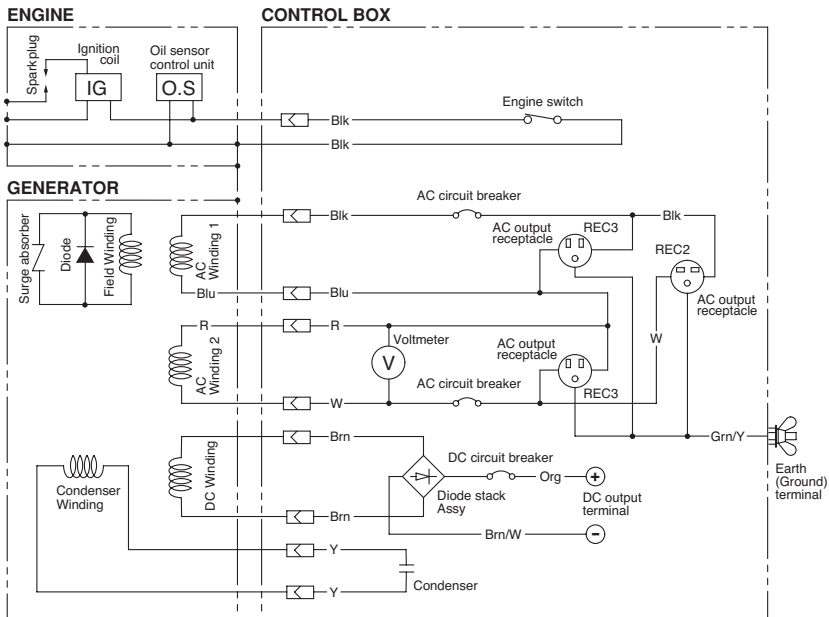
Check to make sure AC circuit breaker is in the "ON" position.	↔	After making sure that the total wattage of the electrical appliance is within permissible limits and there are no defects in the appliance, turn the AC circuit breaker to the "ON" position. If breakers continue to actuate, consult your nearest servicing dealer.
Check AC receptacle and DC terminals for loose connection.		Secure connection if necessary.
Check to see if engine starting was attempted with appliances already connected to generator.	↔	Turn off switch on the appliance, and disconnect cable from receptacle. Reconnect after generator has been started properly.

11. WIRING DIAGRAM

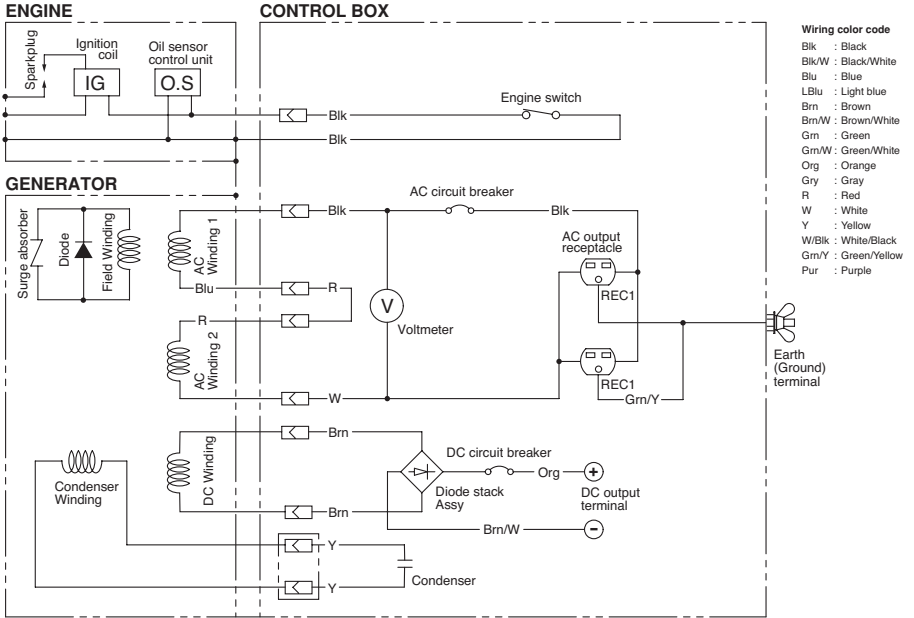
RGX2900 (50Hz-220V, 240V)



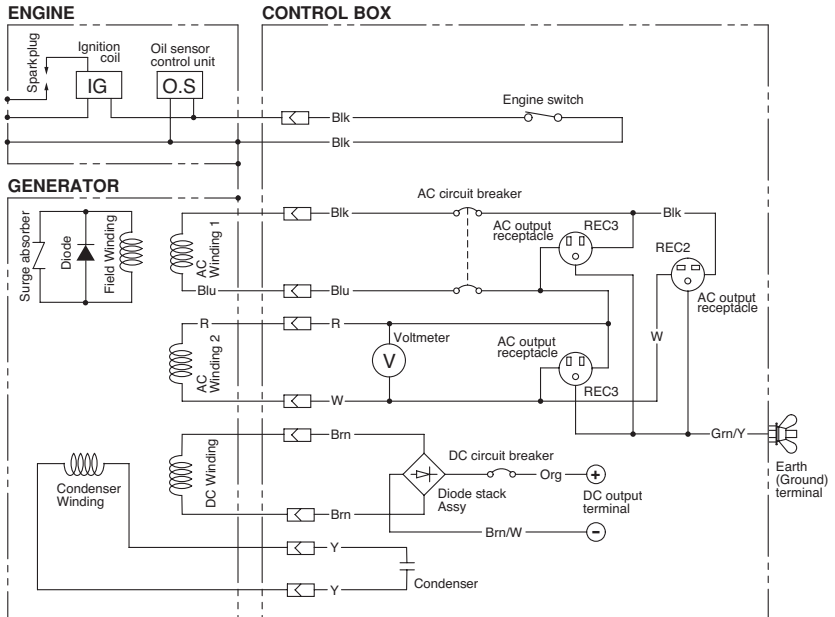
RGX2900 (60Hz-120/240V)



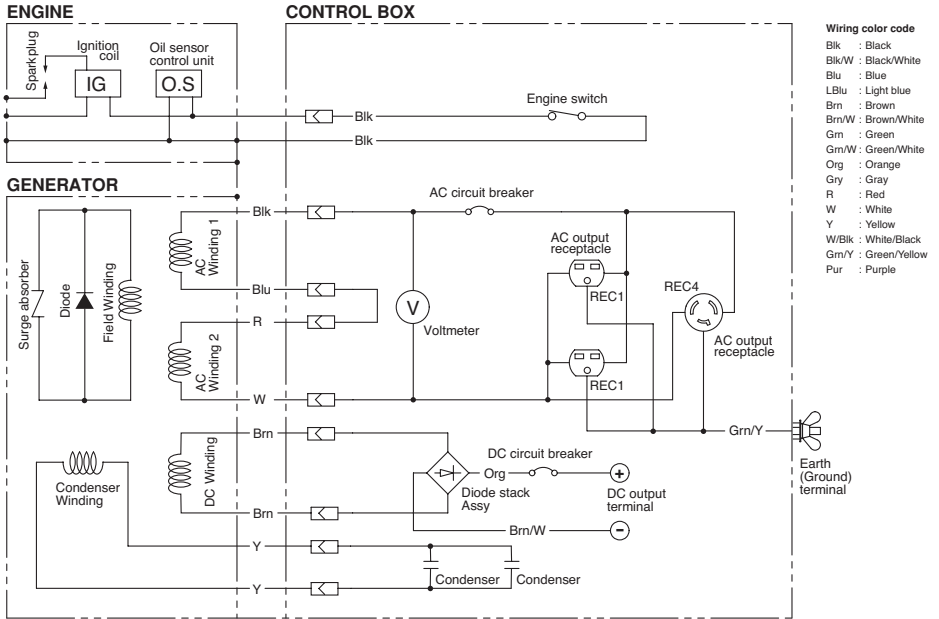
RGX3600 (50Hz-220V, 240V)



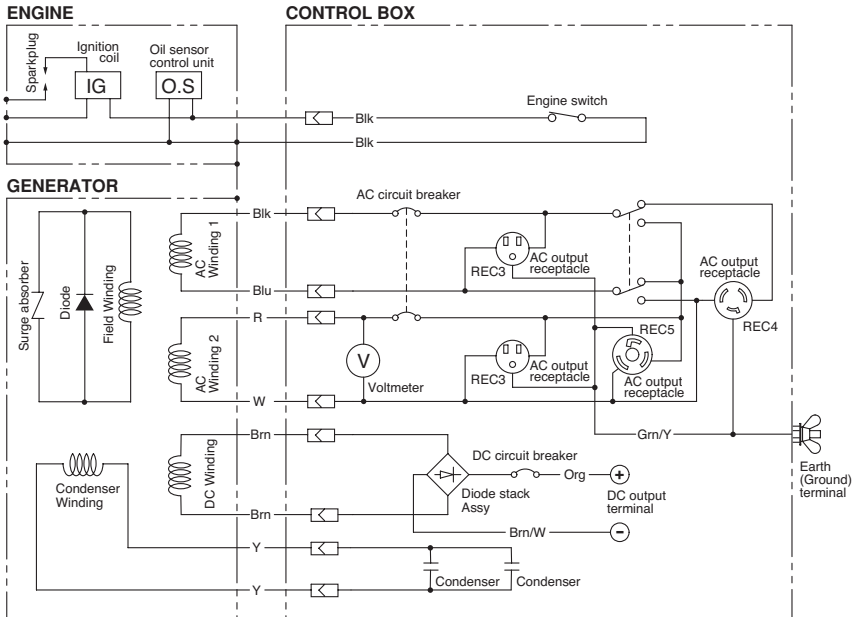
RGX3600 (60Hz-120/240V)



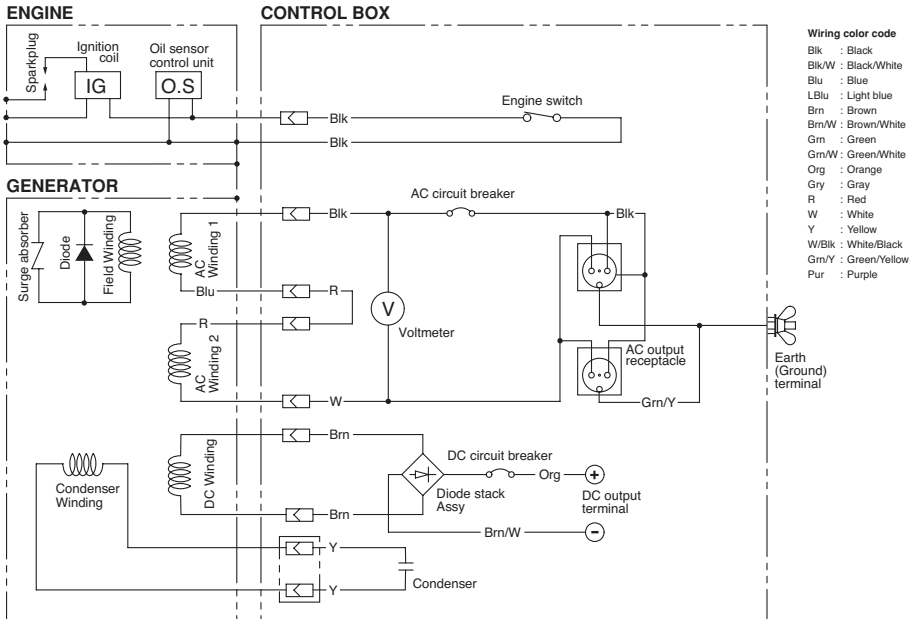
RGX4800 (50Hz-220V, 240V)



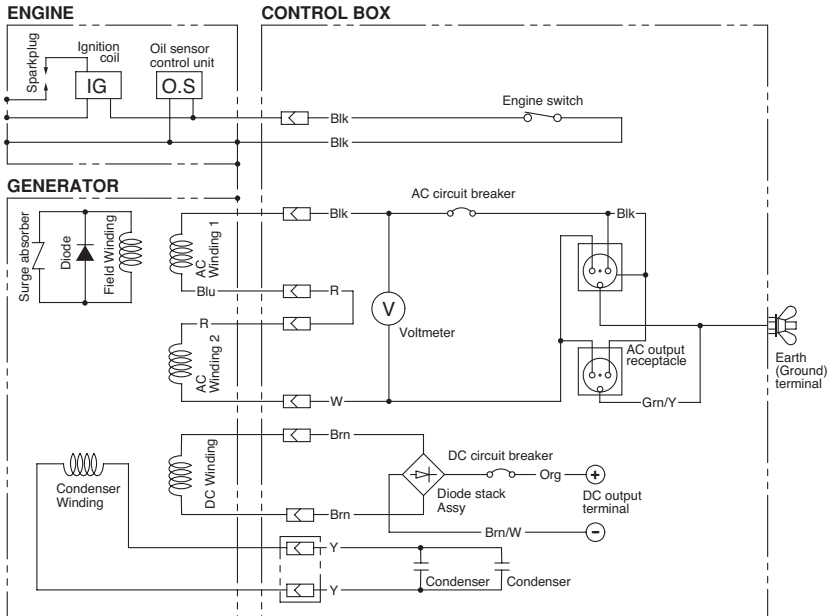
RGX4800 (60Hz-120/240V)



RGX2900 / 3600 (50Hz-230V)



RGX4800 (50Hz-230V)



ISSUE EMD-GU2149

**FUJI HEAVY INDUSTRIES LTD.
INDUSTRIAL PRODUCTS COMPANY**

4-410 Asahi, Kitamoto-shi,
Saitama, 364-8511, Japan

Phone +81(48) 593-7798

Fax +81(48) 593-7946

Web site <http://www.fhi.co.jp/robin/>

PRINTED IN JAPAN
August 2005 CE-SK

Download from Www.Somanuals.com. All Manuals Search And Download.

Free Manuals Download Website

<http://myh66.com>

<http://usermanuals.us>

<http://www.somanuals.com>

<http://www.4manuals.cc>

<http://www.manual-lib.com>

<http://www.404manual.com>

<http://www.luxmanual.com>

<http://aubethermostatmanual.com>

Golf course search by state

<http://golfingnear.com>

Email search by domain

<http://emailbydomain.com>

Auto manuals search

<http://auto.somanuals.com>

TV manuals search

<http://tv.somanuals.com>