

**Robin Generator**

---

Model R 1700i  
for CANADA

# **PARTS CATALOG**

Spec. No. RAS17023091  
(EH092DN8521)

**FUJI HEAVY INDUSTRIES LTD.**

ISSUE	EMD-GP6345
ISSUE DATE	2006.10

## Table of abbreviations/略語一覧

ABBREVIATIONS/略語	DESCRIPTION	説明
A	AMPERE	アンペア
AC	AIR CLEANER	エアクリーナ
AY	ASSEMBLY	アッセンブリ
B	BREADTH	幅
BB	BALL BEARING	ボールベアリング
CD	CENTER DISTANCE	中心間距離
CP	COMPLETE	コンプリート
D	DIAMETER	内径、外径、中心径
EX	EXPORT	輸出
EX	EXHAUST	排気
FIG	FIGURE	フィギュア(図解)
FR	FRONT	前側
H	HEIGHT	高さ
HZ	HERTZ	ヘルツ
IN	INCH	インチ
IN	INTAKE	吸入
L	LITER	リットル
L	LENGTH	長さ
LH	LEFT HAND	左側
MG	MAGNETIC	マグネチック
N	NUMBER	数、巻数
N R Y	NEW ROBIN YELLOW	新ロビン色
OS	OIL SENSOR	オイルセンサ
O.S.	OVER SIZE	オーバーサイズ
P	PITCH	ピッチ
PD	PITCH DIAMETER	中心径
PTO	POWER TAKE OFF	動力取出し
REF	REFERENCE	レファレンス(照合)
RH	RIGHT HAND	右側
RR	REAR	後側
ST	STARTER	スタータ
STD	STANDARD	標準
SW	SPRING WASHER	スプリングワッシャ
SW	SWITCH	スイッチ
T	THICKNESS	厚さ
TH	THROTTLE	スロットル
UN	UNIT	ユニット
U.S.	UNDER SIZE	アンダーサイズ
V	VOLTAGE	ボルト
W	WASHER	ワッシャ
W	WATT	ワット
W	WIDTH	幅
W/	WITH	付き
W/O	WITHOUT	無し

# CONTENTS

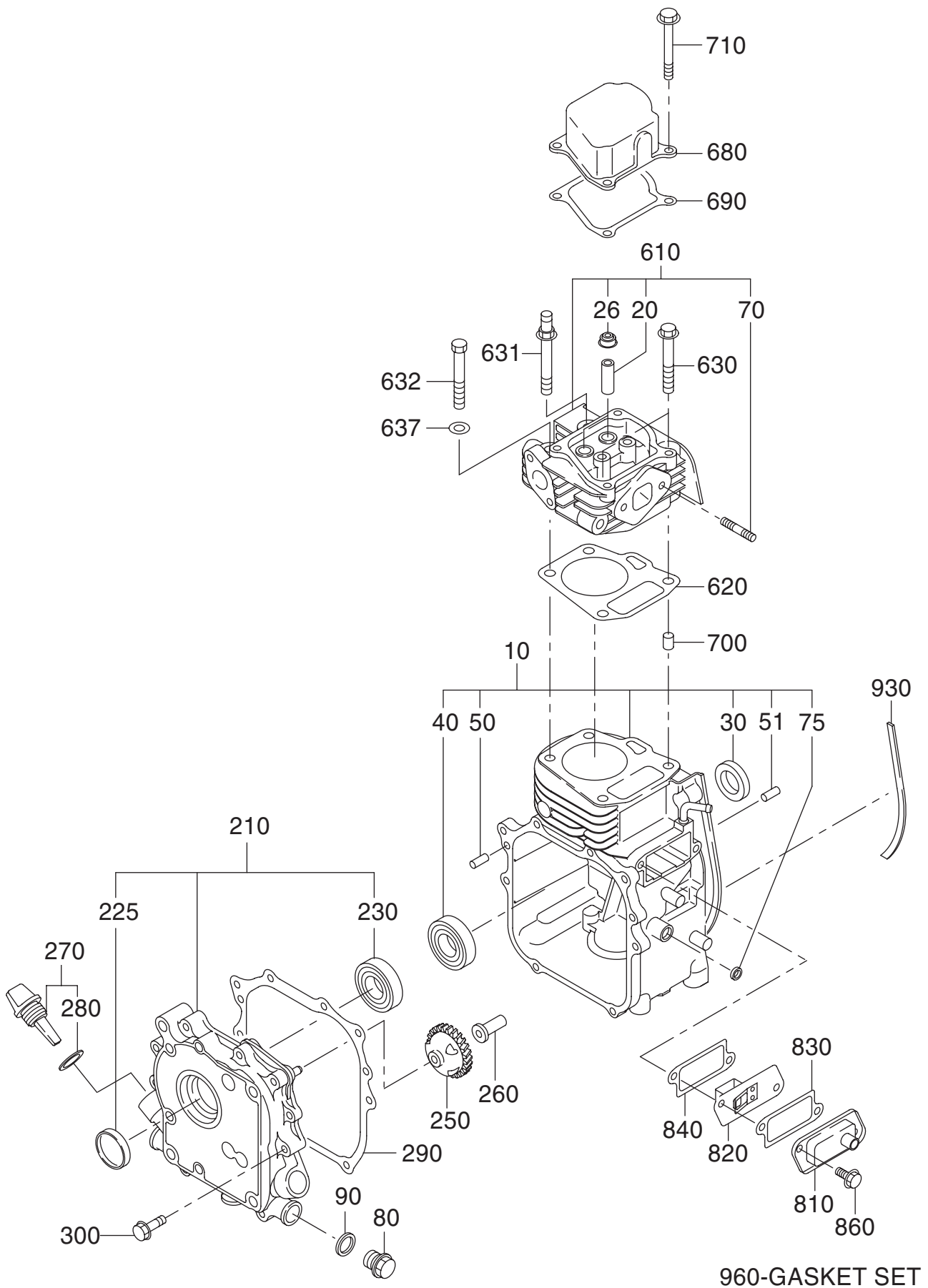
## ENGINE PARTS

		FIG.
1	CRANKCASE	100
2	CRANKSHAFT, PISTON	200
3	INTAKE, EXHAUST	300,315
4	GOVERNOR, OPERATION	400
5	COOLING, STARTING	500,520
6	FUEL, LUBRICANT	600,642
7	ELECTRIC DEVICE	700,770

## GENERATOR PARTS

22	GENERATOR	2200
23	BASE FRAME	2300
24	CONTROL	2400
25	COVER	2500
26	FUEL TANK	2600
29	ACCESSORIES LABEL	2900

FIG. 100



# 1 CRANKCASE GROUP

REF.	PART NUMBER	PART NAME	QTY	R E M A R K S	CODE NO.	INTERCHANGE P/NO.	UNIT P	FIG.
10	284-10103-11	CRANKCASE CP	1		-			100
20	237-14202-03	VALVE GUIDE	2	5.5DX9.5DX27L	-			100
26	277-16010-01	STEM SEAL	1	5.5DX9.5DX15DX7.8B	-			100
30	044-02000-70	OIL SEAL	1	20DX32DX6B	-			100
40	060-02001-40	BALL BEARING	1	20DX42DX12B	-			100
50	031-00600-20	DOWEL PIN	2	6DX14.5L	-			100
51	277-15011-03	PIPE KNOCK	2	10.3DX8.5DX14L	-			100
70	010-50604-20	STUD	2	M6X1.0X84L	-			100
75	044-00600-20	OIL SEAL	1	6DX10DX2.5B	-			100
80	040-11400-30	PLUG	1	M14X1.5X20DX12L	-			100
90	021-11400-20	GASKET	1	14.1DX19DX2.3T	-			100
210	284-11201-21	MAINBEARING COVER CP	1		-			100
225	230-17102-03	PLUG (RUBBER)	1		-			100
230	060-02001-40	BALL BEARING	1	20DX42DX12B	-			100
250	284-45003-01	GOVERNOR GEAR CP	1	44DX20T N=26	-			100
260	205-41901-03	GOVERNOR SLEEVE	1	6DX9DX16DX26L	-			100
270	230-63601-01	OIL GAUGE CP	1	M18X1.5 L=38+18	-			100
280	021-31600-20	GASKET	1	16DX23DX1.2T RUBBER	-	X21-31600-20		100
290	284-16003-03	GASKET (BEARING COVER)	1	T=0.3	-			100
300	011-00601-01	FLANGE BOLT	8	M6X1.0X13DX28L	-			100
610	284-13003-11	CYLINDER HEAD CP	1		6972-			100
	284-13003-01	CYLINDER HEAD CP	1		-6971			100
620	284-15001-13	GASKET (HEAD)	1	T=0.2	-			100
630	011-00802-10	FLANGE BOLT	2	M8X1.25X16DX55L	-			100
631	011-00803-01	FLANGE BOLT	1		-			100
632	010-00804-20	BOLT	1	M8X1.25X60L	-			100
637	020-00802-10	WASHER	1	8.5DX17DX3.2T	-			100
680	284-15501-03	ROCKER COVER	1		-			100
690	284-16004-03	GASKET (ROCKER COVER)	1	T=0.7	-			100
700	277-15011-03	PIPE KNOCK	2	10.3DX8.5DX14L	-			100
710	011-00604-20	FLANGE BOLT	4		-			100
810	284-14301-01	BREATHER COVER CP	1		-			100
820	284-14401-01	BREATHER PLATE CP	1		-			100
830	230-16006-13	GASKET (TAPPET COVER)	1	T=0.8	-			100
840	230-16007-03	GASKET (BREATHER)	1	T=2	-			100
860	011-00600-20	FLANGE BOLT	2	M6X1.0X14DX12L	-			100
930	33K-58317-03	SPONGE CRANK	1		-			100
960	284-99002-17	GASKET SET	1		-			100

FIG. 200

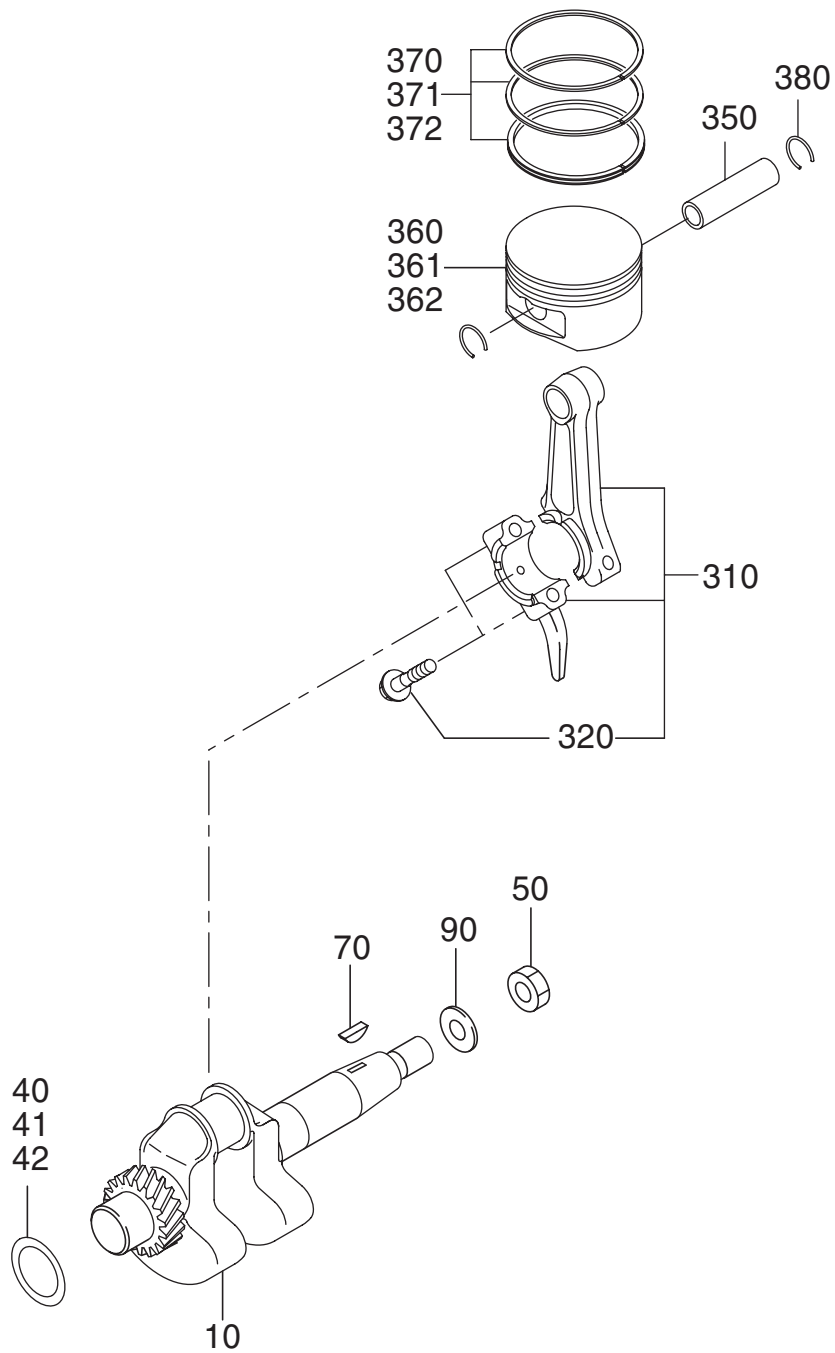
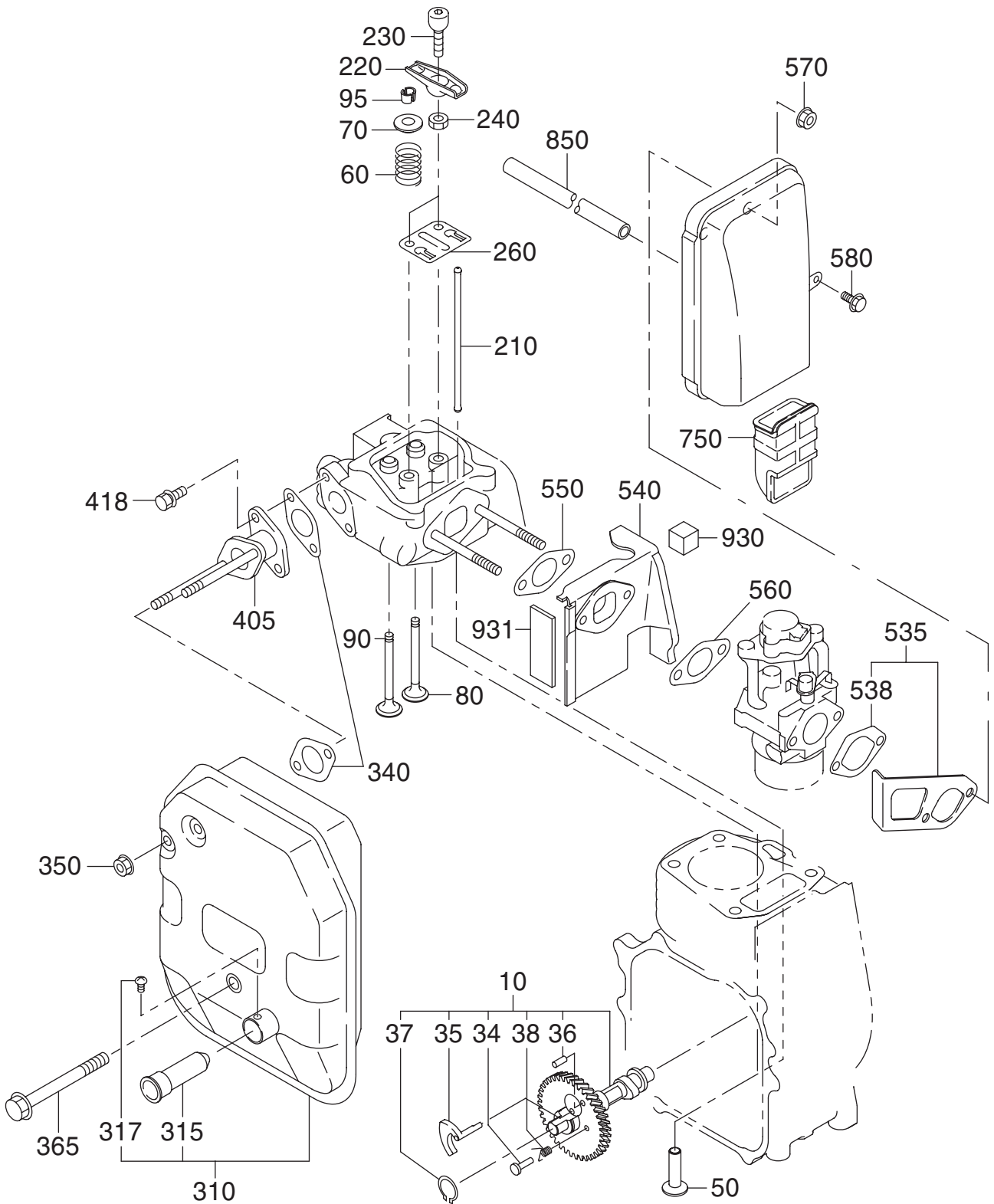




FIG. 300





### 3 INTAKE EXHAUST

REF.	PART NUMBER	PART NAME	QTY	R E M A R K S	CODE NO.	INTERCHANGE P/NO.	UNIT P	FIG.
10	284-31701-21	CAMSHAFT CP	1	L=92 63DX6.6B N=38	-			300
34	227-38601-23	PIN(SPRING)	1	3.8DX7.5DX14L	-			300
35	284-36401-03	RELEASE LEVER	1		-			300
36	005-19041-00	SPRING PIN	1	4.4DX10LX0.8T	-			300
37	003-15170-00	SNAP RING OUTER	1		-			300
38	274-38701-23	RETURN SPRING	1	5DX0.5DX5.2L N=9.7	-			300
50	274-33301-03	TAPPET	2	17DX8DX32L	-			300
60	274-33601-03	VALVE SPRING	2	17.1DX2DX26.7L N=5.5	-			300
70	274-33702-03	SPRING RETAINER	2		-			300
80	284-33401-H3	INTAKE VALVE	1	21DX5.5DX63.6L	6972-			300
	274-33401-03	INTAKE VALVE	1	21DX5.5DX63.6L	-6971			300
90	284-33501-H3	EXHAUST VALVE	1	18DX5.5DX63.6L	6972-			300
	274-33501-03	EXHAUST VALVE	1	18DX5.5DX63.6L	-6971			300
95	132-10KA0-31	COLLET-VALVE	4		-			300
210	274-35301-03	PUSH ROD	2	4DX121.6L	-			300
220	284-36001-03	ROCKER ARM	2		7122-			300
	274-36003-03	ROCKER ARM	2		-7121	284-36001-03		300
230	269-35801-03	BOLT (PIVOT)	2	M6X0.75X19L SOCKET H	-			300
240	017-00600-90	NUT	2	M6X0.75X5.1H	-			300
260	274-36501-03	GUIDE PLATE	1		-			300
310	284-30201-20	MUFFLER AY	1		-			300
315	269-37601-01	SPARK ARRESTER CP	1		-			300
317	015-00400-60	TAPPING SCREW	1	M4X6L	-			300
340	230-35204-01	GASKET CP(EXHAUST)	2	T=1.3 20D 6.5DX38P	-			300
350	018-00600-30	FLANGE NUT	2		-			300
365	011-00801-10	FLANGE BOLT	1	M8X1.25X14DX80L	-			300
405	284-34101-13	EXHAUST PIPE	1		-			300
418	001-14061-60	BOLT AND WASHER AY	2	M6X1.0X16L W/W, SW	-			300
535	284-32904-01	STAY BAFFLE CP	1		-			300
538	277-46701-03	GASKET(CHOKE)	1	T=0.3	-			300
540	284-32903-03	INSULATOR	1		-			300
550	227-35902-03	GASKET 2 (INSULATOR)	1	T=0.3 25D 6.5DX42P	-			300
560	157-35001-03	GASKET (INSULATOR)	1	T=0.3 20D 6.5DX42P	-			300
570	002-38060-00	FLANGE NUT	2	M6X1.0X13DX6H	-			300
580	011-00601-80	FLANGE BOLT	1	M6X1.0X14DX18L	-			300
750	284-32101-03	DUCT	1		-			300
850	085-10803-60	RUBBER PIPE	1	8DX11DX37.5L	-	085-10800-00		300
930	33K-58315-13	SPONGE INS	1		-			300
931	33K-58321-13	SPONGE INS 2	1		-			300

FIG. 315

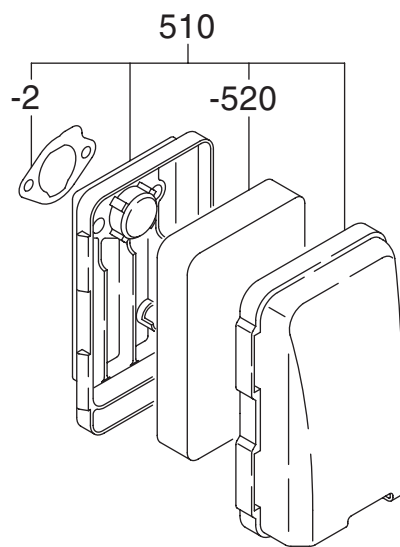
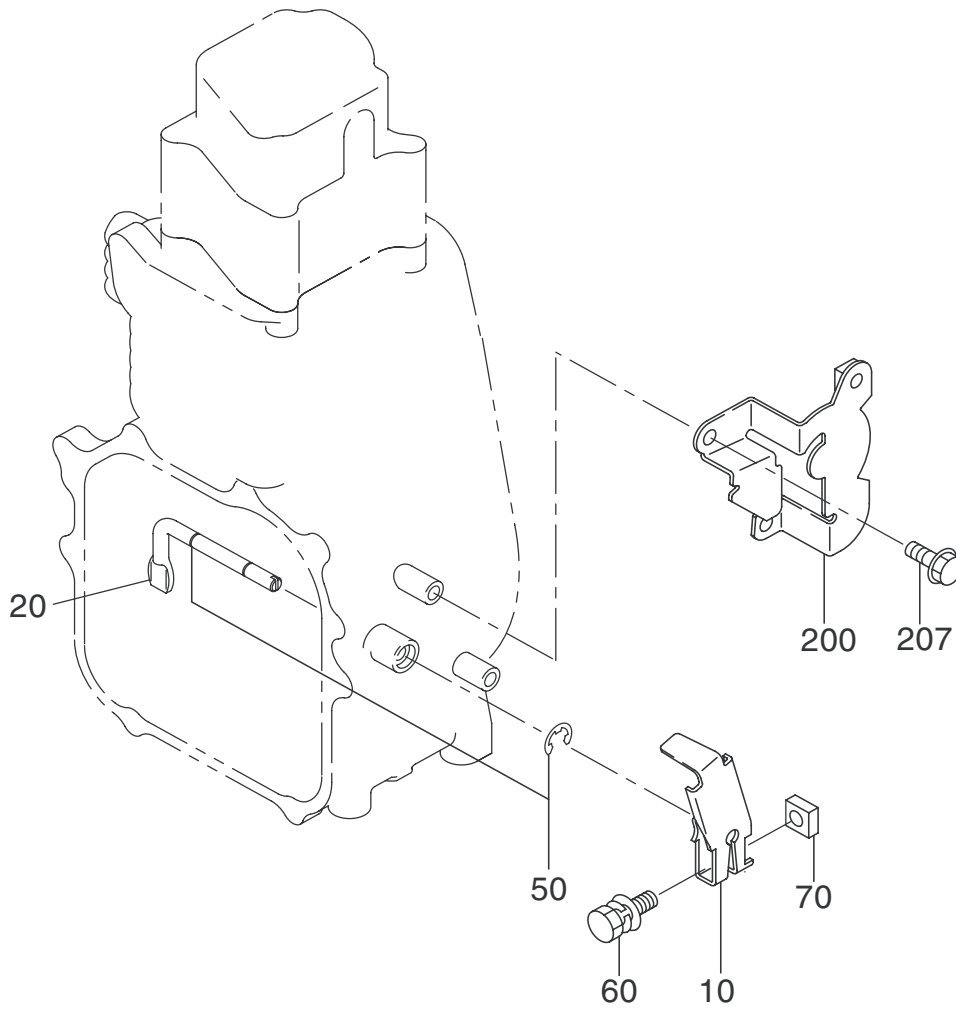




FIG. 400



#### 4 GOVERNOR OPERATION

REF.	PART NUMBER	PART NAME	QTY	REMARKS	CODE NO.	INTERCHANGE P/NO.	UNIT P	FIG.
10	284-42305-03	GOVERNOR LEVER	1		-			400
20	230-42201-13	GOVERNOR SHAFT	1		7061-			400
	230-42201-03	GOVERNOR SHAFT	1		-7060	230-42201-13		400
50	003-13050-00	CLIP	2		-			400
60	001-14062-50	BOLT AND WASHER AY	1	M6X1.0X25L W/W, SW	-			400
70	018-60600-20	NUT	1	M6X1.0X4.9H SQUARE	-			400
200	284-46003-03	CONTROL BRACKET	1		-			400
207	011-00600-10	FLANGE BOLT	2	M6X1.0X14DX8L	-			400

FIG. 500

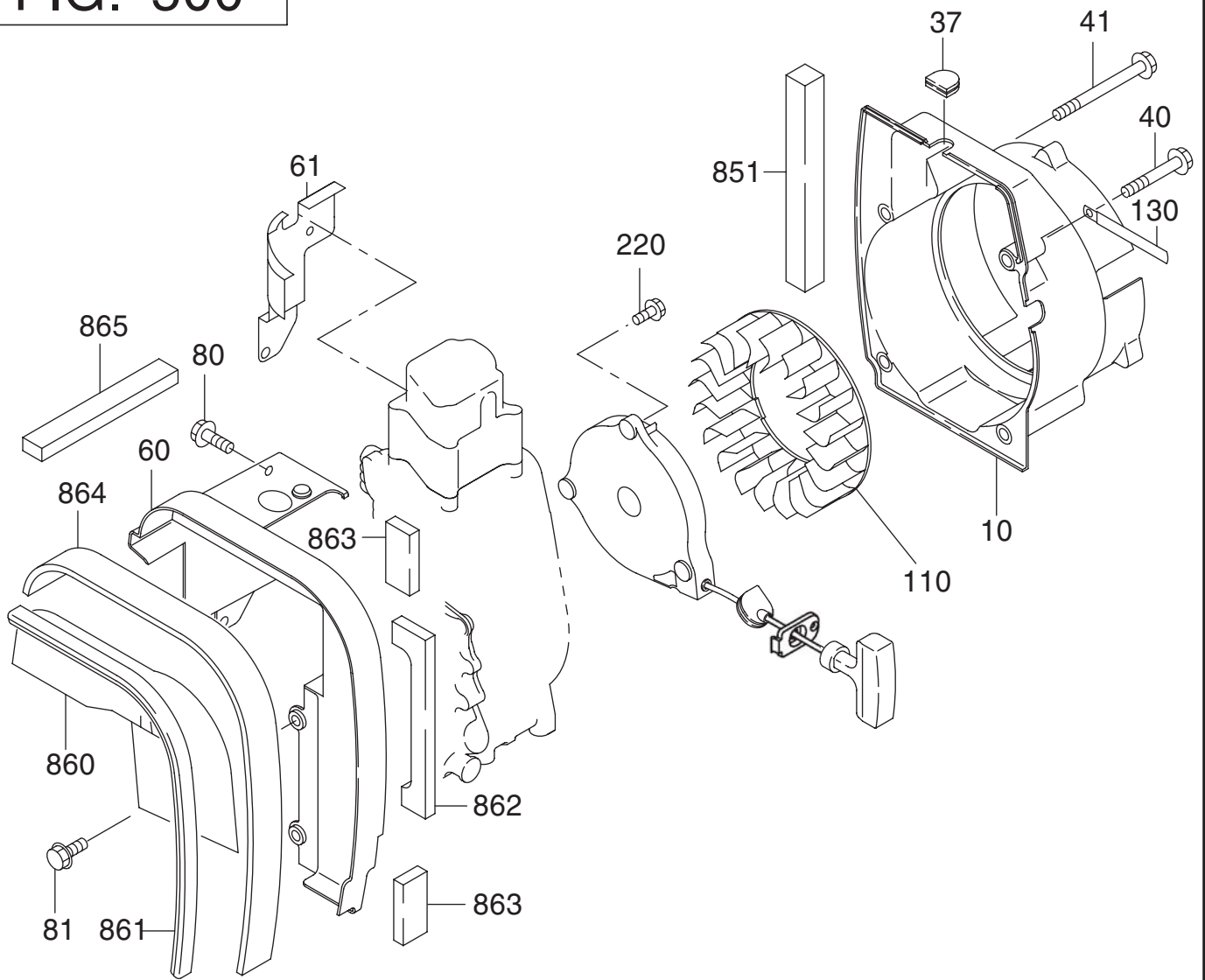




FIG. 520

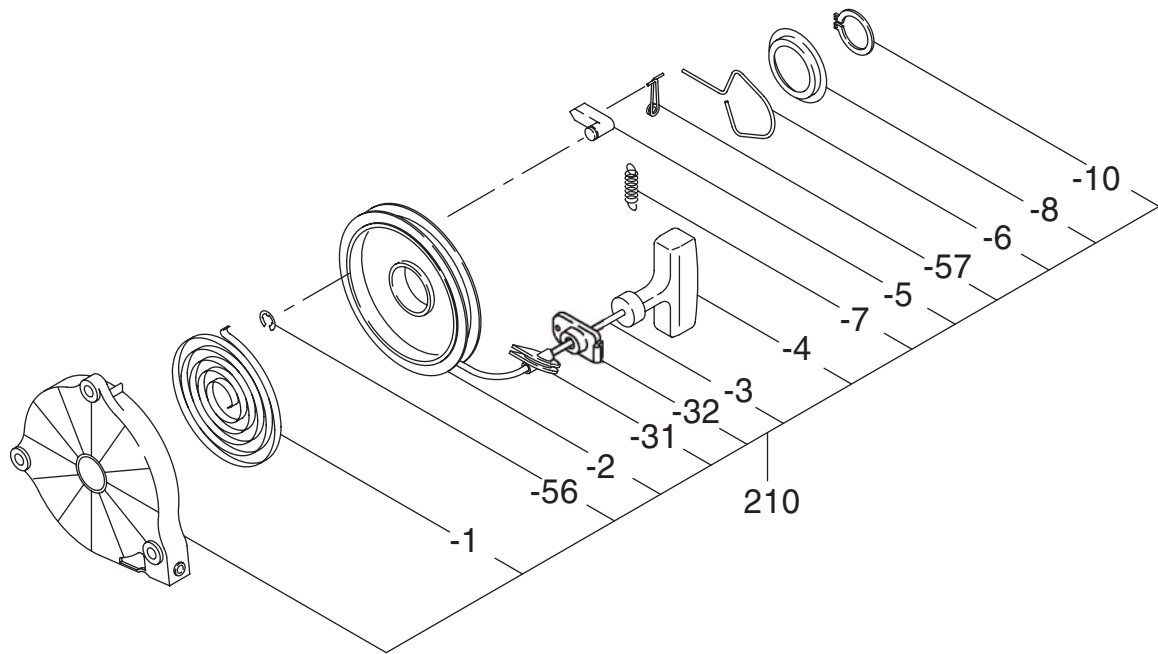
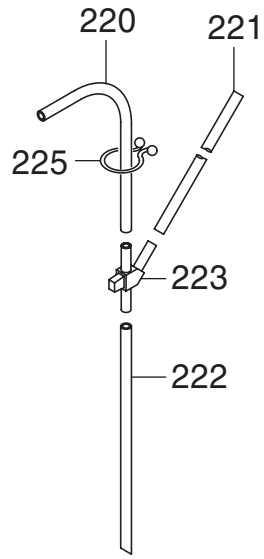






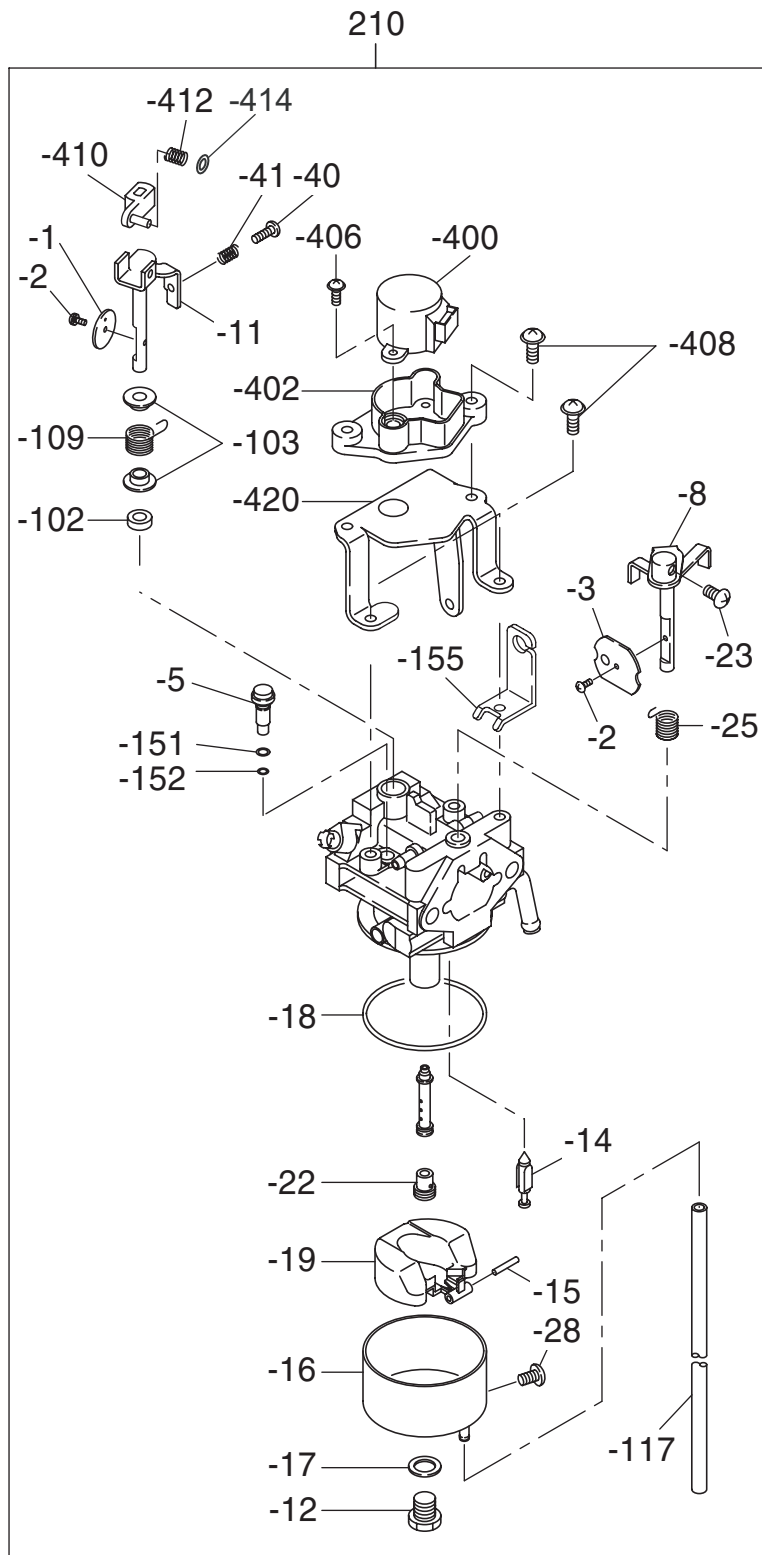
FIG. 600



## 6 FUEL LUBRICANT

REF.	PART NUMBER	PART NAME	QTY	R E M A R K S	CODE NO.	INTERCHANGE P/NO.	UNIT P	FIG.
220	085-00300-40	VINYL PIPE	1	3.5DX5.5DX175L	-	085-09300-00		600
221	085-00300-50	VINYL PIPE	1	3.5DX5.5DX210L	-	085-09300-00		600
222	085-00300-60	VINYL PIPE	1	3.5DX5.5DX140L	-	085-09300-00		600
223	284-67101-03	Y CONNECTOR	1		-			600
225	056-90000-20	PURSE LOCK	1		-			600

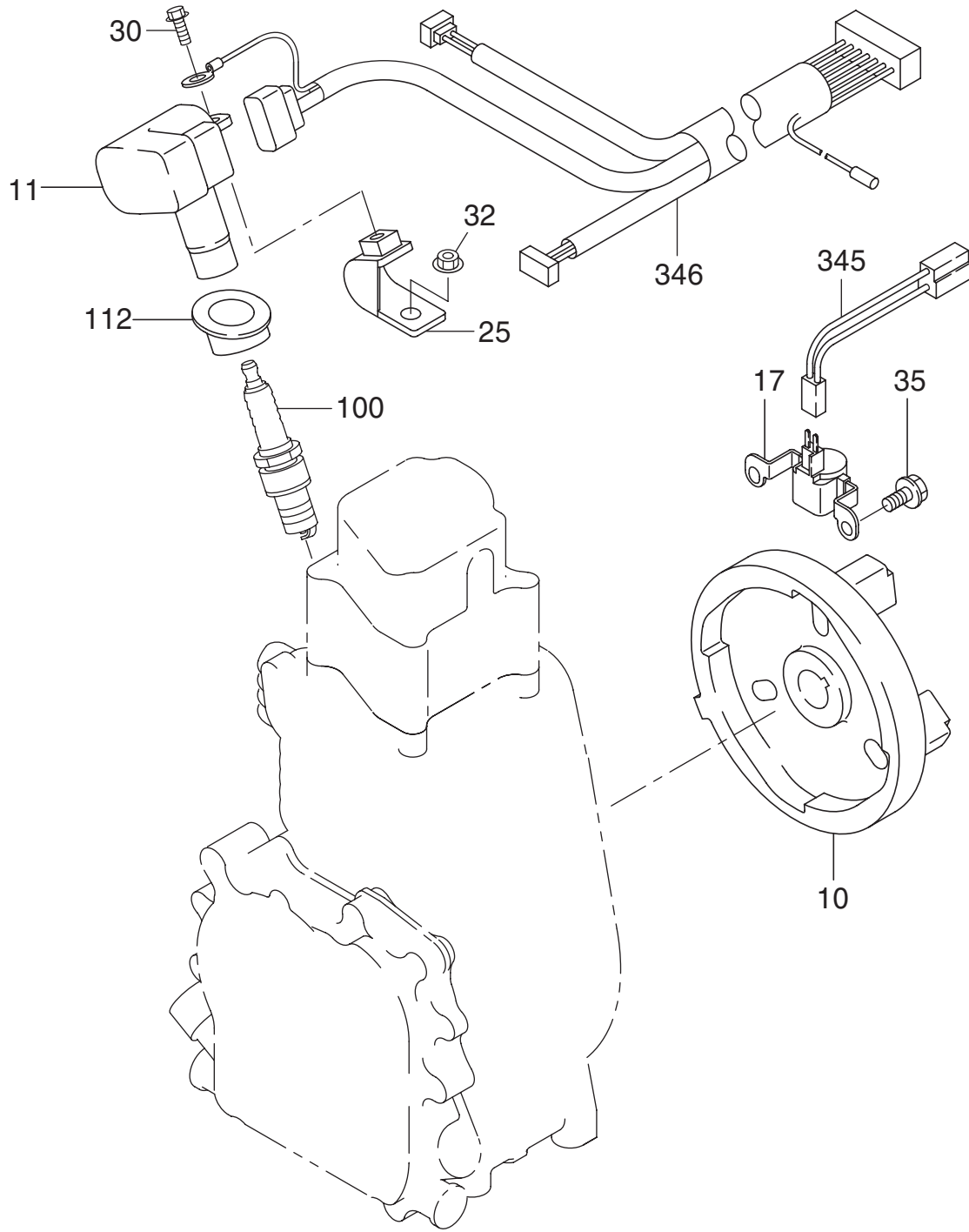
FIG. 642



## 6 FUEL LUBRICANT

REF.	PART NUMBER	PART NAME	QTY	R E M A R K S	CODE NO.	INTERCHANGE P/NO.	UNIT P	FIG.
210	284-62302-30	CARBURETOR AY	1		-			642
- 1	284-62535-08	THROTTLE VALVE	1		-			642
- 2	284-62455-08	SCREW	2		-			642
- 3	284-62527-08	VALVE CHOKE	1		-			642
- 5	284-62420-08	SLOW JET	1		-			642
- 8	284-62520-08	SHAFT AY CHOKE	1		-			642
- 11	284-62531-18	SHAFT SUB AY	1		-			642
- 12	284-62355-08	SCREW	1		-			642
- 14	279-62500-08	VALVE ASSY NEEDLE	1		-			642
- 15	284-62515-08	PIN,FLOAT LEVER	1		-			642
- 16	284-62550-08	CHAMBER AY,FLOAT	1		-			642
- 17	251-62350-08	GASKET	1		-			642
- 18	284-62540-08	GASKET CHAMBER	1		-			642
- 19	284-62505-08	FLOAT AY	1		-			642
- 22	284-62400-08	MAIN JET	1	#63	-			642
- 23	284-62456-08	SCREW	1		-			642
- 25	284-62445-08	SPRING CHOKE	1		-			642
- 28	251-62661-08	DRAIN SCREW	1		-			642
- 40	284-62353-08	SCREW ADJUST	1		-			642
- 41	279-62445-08	SPRING	1		-			642
-102	251-62559-08	BUSH	1		-			642
-103	284-62561-08	COLLAR	2		-			642
-109	284-62315-18	SPRING THROTTLE	1		-			642
-117	284-62566-18	PIPE	1		-			642
-151	284-62450-08	O-RING	1		-			642
-152	284-62451-08	O-RING	1		-			642
-155	284-62570-18	BRACKET WIRE	1		-			642
-400	284-62580-08	MOTOR	1		-			642
-402	284-62576-18	BRACKET MOTOR	1		-			642
-406	284-62458-08	SCREW	2		-			642
-408	284-62457-08	SCREW	5		-			642
-410	284-62555-08	JOINT LEVER	1		-			642
-412	284-62446-18	SPRING	1		-			642
-414	284-62447-08	WASHER	1		-			642
-420	284-62575-08	BRACKET	1		-			642

FIG. 700



## 7 ELECTRIC DEVICE

REF.	PART NUMBER	PART NAME	QTY	REMARKS	CODE NO.	INTERCHANGE P/NO.	UNIT P	FIG.
10	284-79350-31	FLYWHEEL	1		-			700
11	284-79530-01	IGNITION COIL CP	1		-			700
17	284-79540-01	PULSER COIL CP	1		-			700
25	284-79561-01	IGCOIL BRACKET CP	1		-			700
30	011-00600-30	FLANGE BOLT	1	M6X1.0X14DX14L	-			700
32	002-38080-00	FLANGE NUT	1	M8X1.25X17DX7.5H	-			700
35	011-00600-10	FLANGE BOLT	2	M6X1.0X14DX8L	-			700
100	065-01403-80	SPARK PLUG	1	NGK BMR4A	-			700
112	284-75501-03	GROMMET	1		-			700
345	284-79581-03	P-COIL HARNESS	1		-			700
346	34K-21101-13	ENGIN HARNESS	1		-			700

FIG. 770

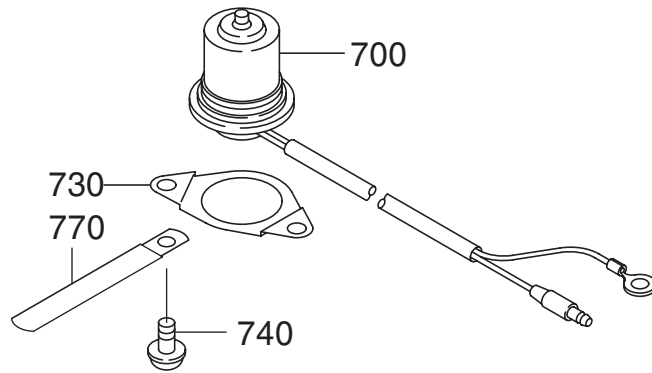
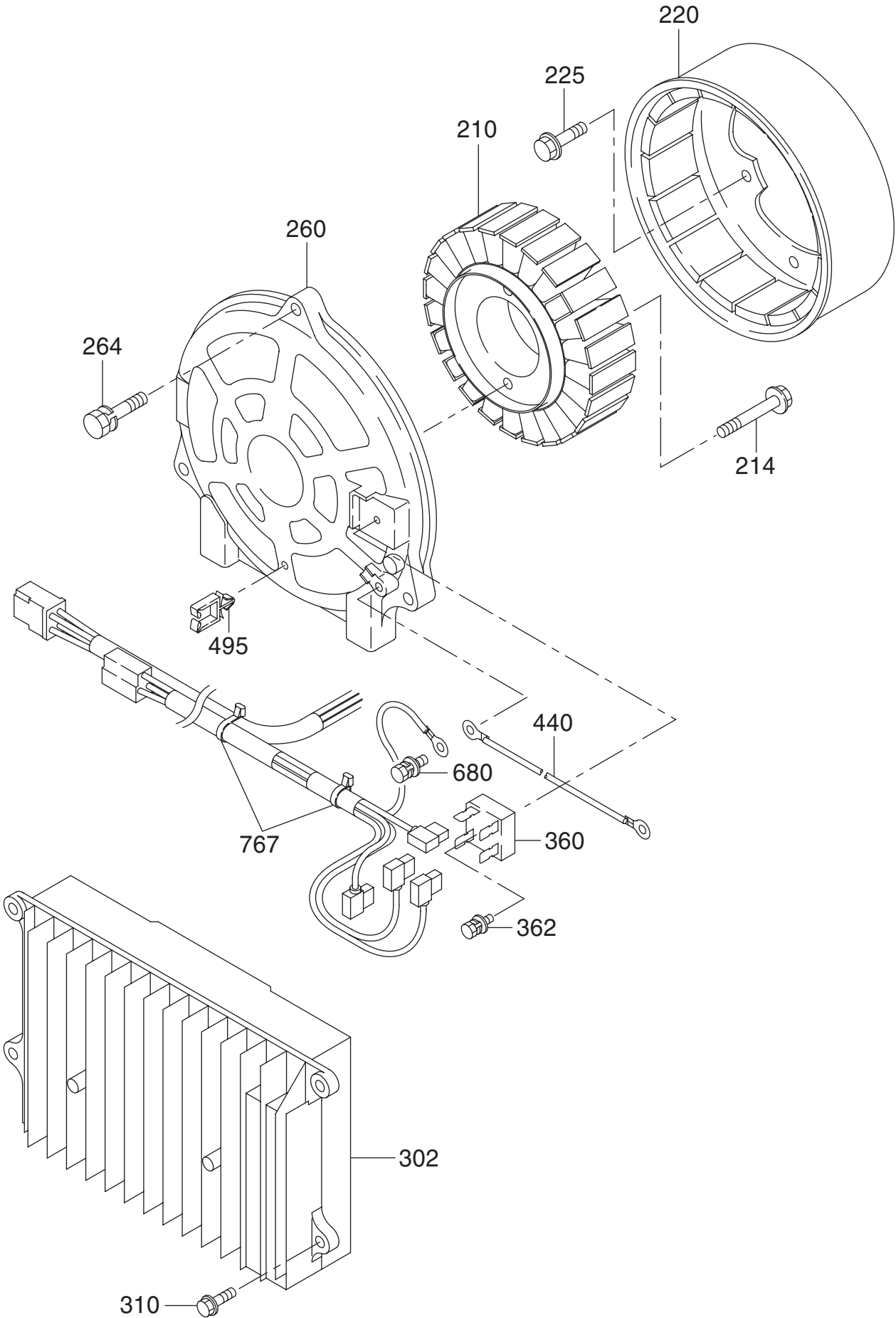






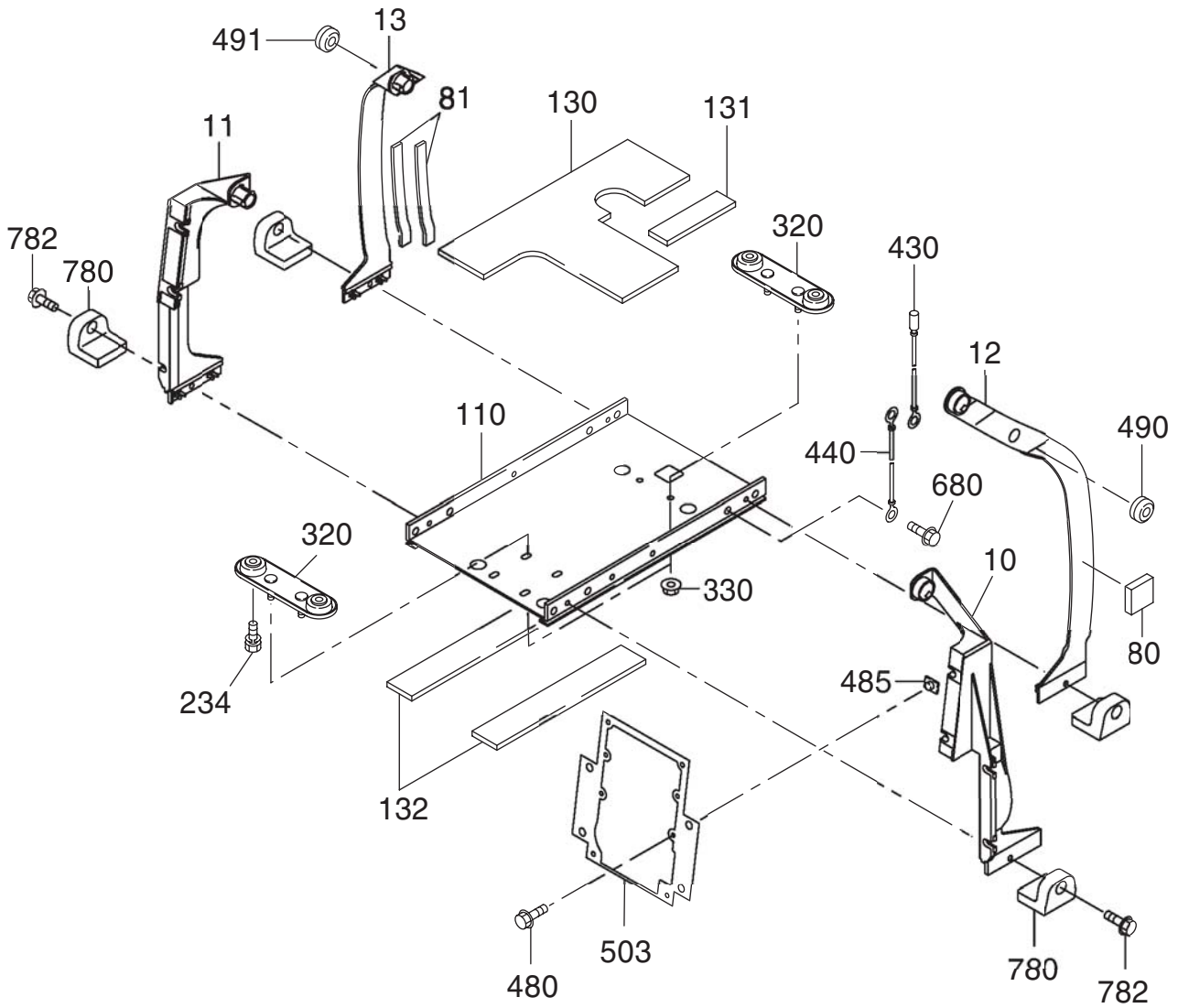
FIG. 2200



## 22 GENERATOR GROUP

REF.	PART NUMBER	PART NAME	QTY	REMARKS	CODE NO.	INTERCHANGE P/NO.	UNIT P	FIG.
210	34K-20052-01	STATOR CP	1		-			2200
214	34K-20902-08	FLANGE BOLT	2		-			2200
220	34K-20061-01	ROTOR CP	1		-			2200
225	001-04061-20	FLANGE BOLT	3	M6X1.0X13DX12L	-			2200
260	34K-20901-08	REAR COVER	1		-			2200
264	011-00601-01	FLANGE BOLT	3	M6X1.0X13DX28L	-			2200
302	KU5-12002-01	INV&E/G C/U CP (P2)	1		-			2200
310	011-00601-40	FLANGE BOLT	4	M6X1.0X14DX18L	-			2200
360	34K-20903-08	RECTIFIER	1		-			2200
362	34K-20904-08	SCREW	1		-			2200
440	34K-42003-01	EARTH WIRE CP	1		-			2200
495	34K-20906-08	CLAMP	1		-			2200
680	34K-20905-08	SCREW	1		-			2200
767	34K-20907-08	BAND	2		-			2200

FIG. 2300

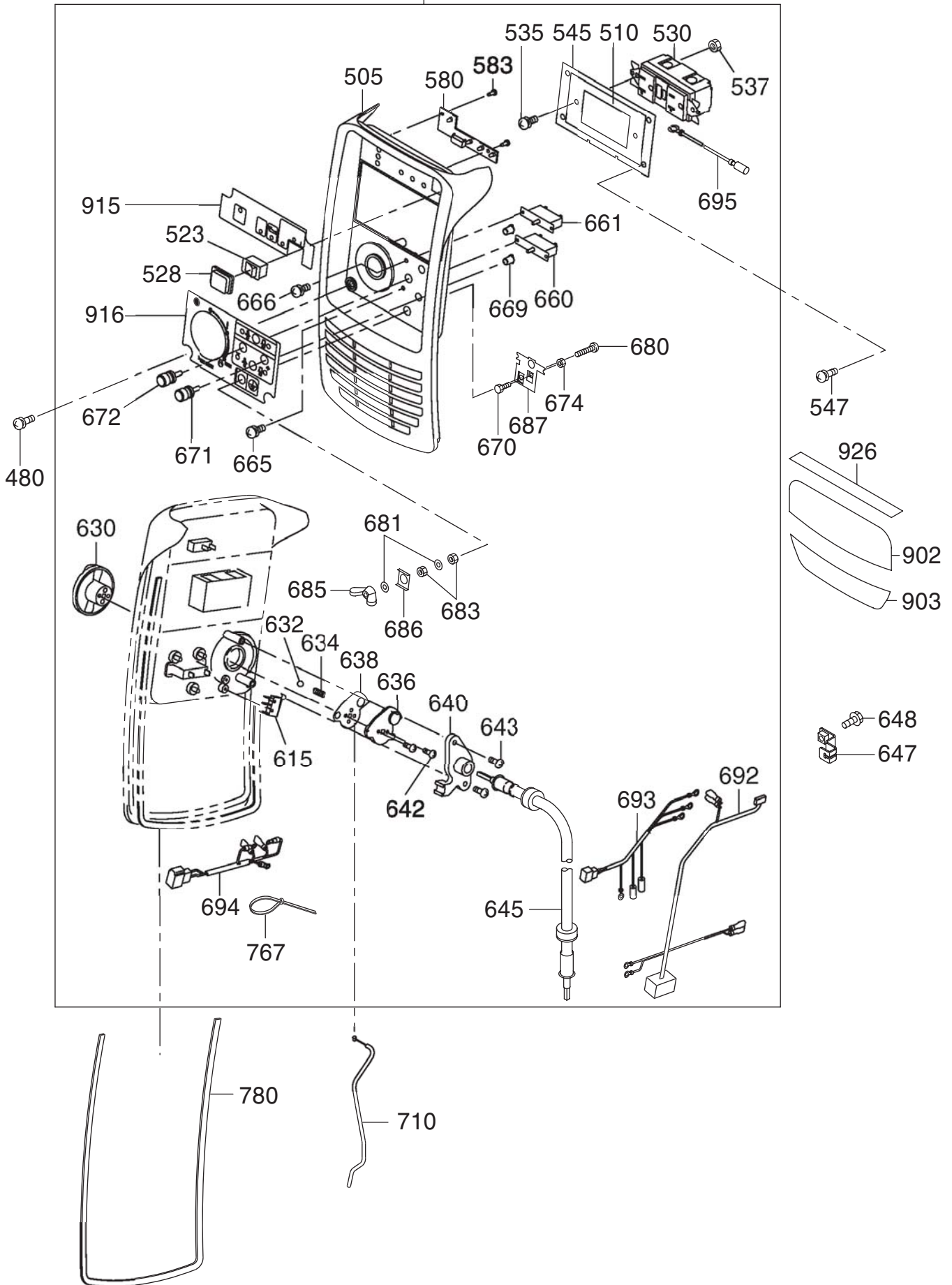


## 23 BASE, FRAME GROUP

REF.	PART NUMBER	PART NAME	QTY	R E M A R K S	CODE NO.	INTERCHANGE P/NO.	UNIT P	FIG.
10	33K-37101-03	FRONT FRAME(R)	1		-			2300
11	33K-37201-03	FRONT FRAME(L)	1		-			2300
12	33K-37301-03	REAR FRAME(R)	1		-			2300
13	33K-37401-03	REAR FRAME(L)	1		-			2300
80	33K-58413-03	SPONGE R-FRAME	1		-			2300
81	33K-58414-03	SPONGE R-FRAME 2	2		-			2300
110	34K-30602-03	BASE INV	1		-			2300
130	33K-58310-03	SPONGE BASE	1		-			2300
131	33K-58311-03	SPONGE BASE 2	1		-			2300
132	33K-58320-03	SPONGE BASE 3	2		-			2300
234	001-14082-00	BOLT AND WASHER AY	4	M8X1.25X20L W/W, SW	-			2300
320	33K-30101-01	MOUNT BASE CP	2		-			2300
330	002-38060-00	FLANGE NUT	4	M6X1.0X13DX6H	-			2300
430	33K-41835-01	NEUTRAL HARNESS 2 CP	1		-			2300
440	34K-42004-01	EARTH WIRE CP	1		-			2300
480	011-00600-20	FLANGE BOLT	4	M6X1.0X14DX12L	-			2300
485	33K-38001-03	NUT	8		-			2300
490	33K-38005-03	GROMMET(R-FRAME)	1		-			2300
491	33K-38005-03	GROMMET(R-FRAME)	1		-			2300
503	33K-37601-03	BACK PANEL CP	1		-			2300
680	011-00600-10	FLANGE BOLT	1	M6X1.0X14DX8L	-			2300
780	33K-36101-01	MOUNT CP	4		-			2300
782	011-00601-80	FLANGE BOLT	4	M6X1.0X14DX18L	-			2300

FIG. 2400

500



## 24 CONTROL GROUP

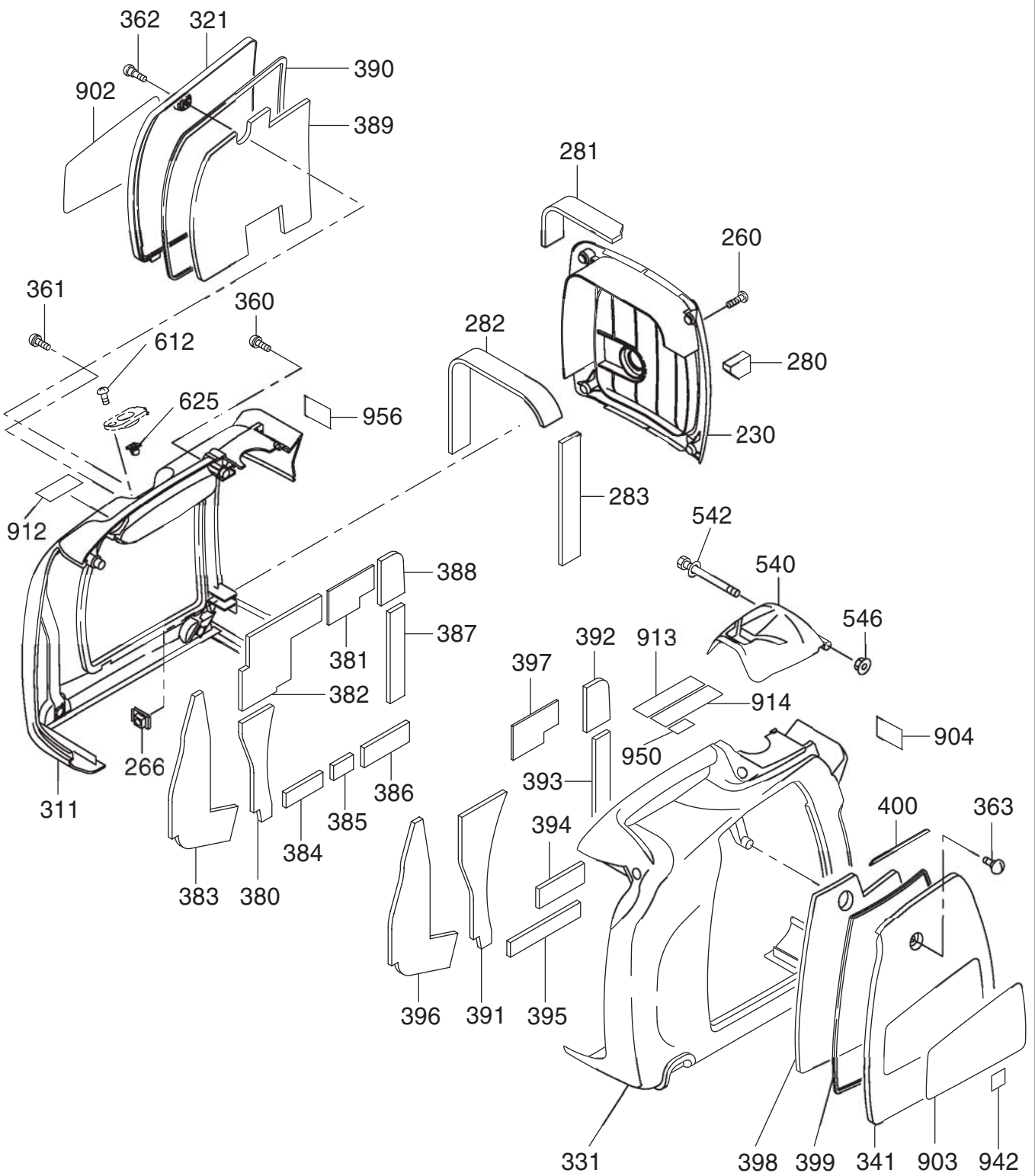
REF.	PART NUMBER	PART NAME	QTY	R E M A R K S	CODE NO.	INTERCHANGE P/NO.	UNIT P	FIG.
480	014-00501-00	SCREW	4		-			2400
500	34K-40111-10	CONTROL PANEL AY	1		-			2400
505	33K-40101-03	FRONT PANEL	1		-			2400
510	34K-41160-13	FILM CONCENT	1		-			2400
523	34K-41812-03	ROCKER SWITCH	1		-			2400
528	34K-41813-03	SWITCH COVER	1		-			2400
530	388-85003-01	AC RECEPTACLE	1	125V-20A	-			2400
535	351-49920-08	SCREW & WASHER AY	2		-			2400
537	002-17040-00	NUT	2		-			2400
545	33K-40706-13	CONSENT BRACKET	1		-			2400
547	013-10400-60	SCREW AND WASHER AY	4		-			2400
580	KD3-11001-11	LED INDICATOR CP	1		-			2400
583	015-00300-20	TAPPING SCREW	2		-			2400
615	33K-41811-03	MICRO SWITCH	1		-			2400
630	33K-42010-03	CONTROL DIAL	1		-			2400
632	33K-42071-03	BALL(DIAL)	1		-			2400
634	33K-42074-03	SPRING(DIAL)	1		-			2400
636	33K-42020-03	CHOKE REEL	1		-			2400
638	33K-42030-23	PLATE	1		-			2400
640	33K-42040-03	WIRE PLATE	1		-			2400
642	015-00400-70	TAPPING SCREW	2	M4X20L	-			2400
643	33K-41814-08	TAPPING SCREW	2		-			2400
645	33K-42050-11	ROLLING WIRE CP	1		-			2400
647	33K-42080-03	CHOKE BRACKET	1		-			2400
648	011-00600-10	FLANGE BOLT	1	M6X1.0X14DX8L	-			2400
660	33K-41833-03	CIRCUIT BREAKER	1	RED 10A	-			2400
661	34K-41831-03	CIRCUIT BREAKER	1	YELLOW 12A	-			2400
665	013-10300-10	SCREW AND WASHER AY	2		-			2400
666	33K-42106-03	SCREW AND WASHER AY	2		-			2400
669	33K-41817-03	BREAKER CAP	2		-			2400
670	33K-42103-03	BOLT	1		-			2400
671	363-45701-08	TERMINAL BOLT	1	RED 20A	-			2400
672	363-45700-08	TERMINAL BOLT	1	BLACK 20A	-			2400
674	33K-42102-03	NUT	1		-			2400
680	33K-42104-03	SCREW	1		-			2400
681	353-49903-08	WASHER	2		-			2400
683	353-49902-08	NUT	2		-			2400
685	353-49901-08	WING NUT	1		-			2400
686	33K-42101-03	PLATE	1		-			2400
687	33K-42100-03	EARTH PLATE	1		-			2400

### 24 CONTROL GROUP

REF.	PART NUMBER	PART NAME	QTY	R E M A R K S	CODE NO.	INTERCHANGE P/NO.	UNIT P	FIG.
692	34K-41817-13	PANEL HARNESS	1		-			2400
693	34K-42001-01	CONCENT HARNESS CP	1		-			2400
694	34K-42002-01	DC OUT HARNESS	1		-			2400
695	33K-41834-01	NEUTRAL HARNESS 1 CP	1		-			2400
710	33K-42060-21	CHOKE WIRE CP	1		-			2400
767	056-30000-20	WIRE BAND	2	2.5BX1.2TX100L	-			2400
780	33K-58411-03	SEAL SPONGE F	1		-			2400
902	34K-92115-03	LABEL(FRONT) INV	1		-			2400
903	34K-95101-03	LABEL(FRONT) 2	1		-			2400
915	34K-40303-03	FILM INV 1	1		-			2400
916	33K-40401-03	FILM AVR 2	1		-			2400
926	33K-94007-03	LABEL(WARNING)	1		-			2400



FIG. 2500

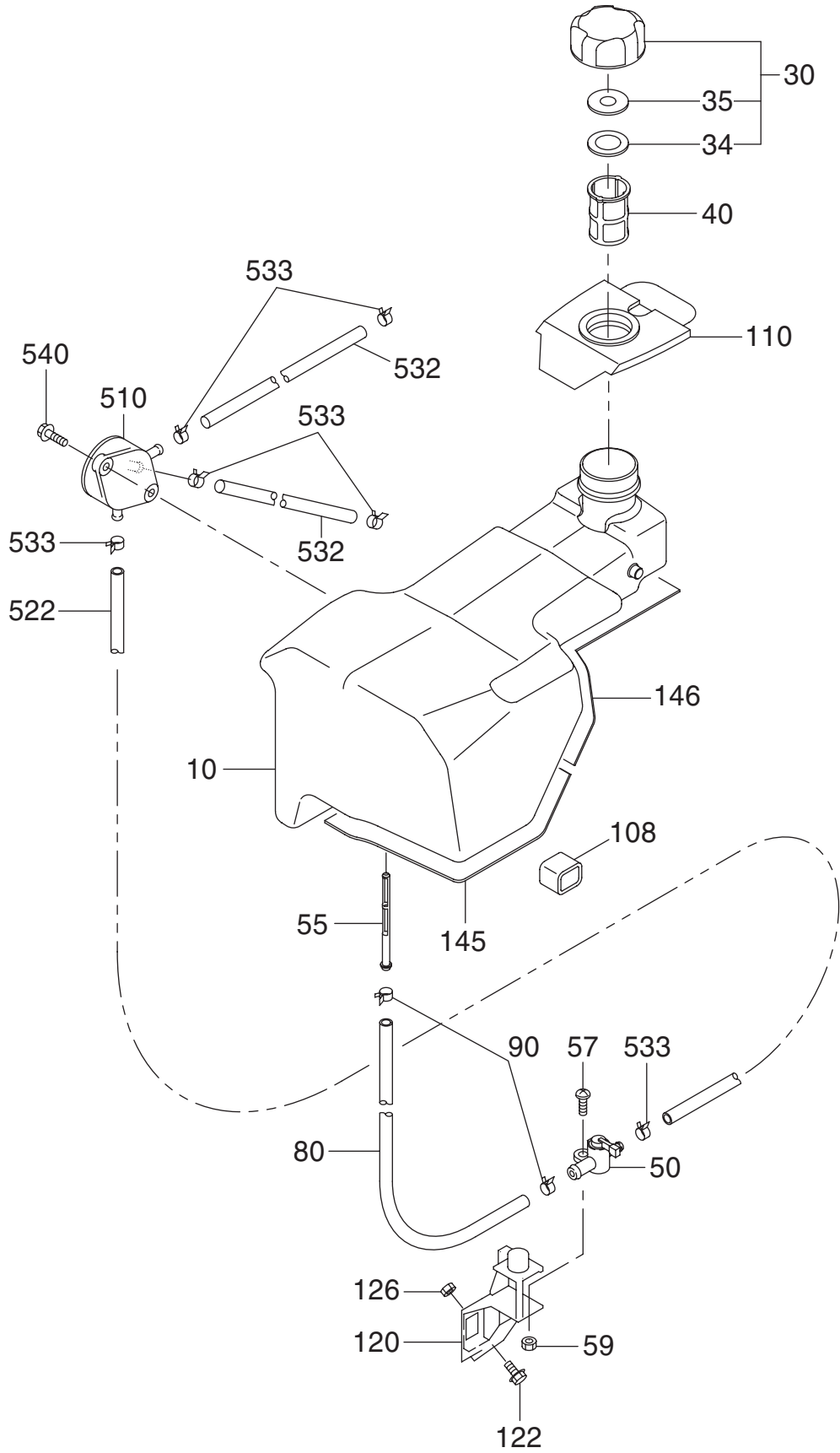


## 25 COVER GROUP

REF.	PART NUMBER	PART NAME	QTY	R E M A R K S	CODE NO.	INTERCHANGE P/NO.	UNIT P	FIG.
230	33K-50201-03	REAR COVER	1	BLACK	-			2500
260	013-10600-30	SCREW AND WASHER AY	4		-			2500
266	33K-50205-01	NUT CP	4		-			2500
280	33K-58318-13	R-COVER SPONGE 1	2		-			2500
281	33K-58319-13	R-COVER SPONGE 2	1		-			2500
282	33K-58322-03	R-COVER SPONGE 3	1		-			2500
283	33K-58324-03	R-COVER SPONGE 4	1		-			2500
311	33K-50301-13	CASE BODY L	1		-			2500
321	33K-50311-03	SIDE PANEL L	1		-			2500
331	33K-50401-13	CASE BODY R	1		-			2500
341	33K-50411-03	SIDE PANEL R	1		-			2500
360	004-36062-50	SCREW AND WASHER AY	2	M6X1.0X25L W/W, SW	-			2500
361	004-36062-00	SCREW AND WASHER AY	1	M6X1.0X20L W/W, SW	-			2500
362	33K-50501-03	BOLT(PANEL)	1		-			2500
363	33K-50501-03	BOLT(PANEL)	1		-			2500
380	33K-58301-03	SPONGE CASE L	1		-			2500
381	33K-58307-03	SPONGE CASE L 5	1		-			2500
382	33K-58305-03	SPONGE CASE L 3	1		-			2500
383	33K-58304-03	SPONGE CASE L 2	1		-			2500
384	33K-58308-03	SPONGE CASE L 6	1		-			2500
385	33K-58309-03	SPONGE CASE L 7	1		-			2500
386	33K-58408-03	SPONGE CASE R 6	1		-			2500
387	33K-58409-03	SPONGE CASE R 7	1		-			2500
388	33K-58306-03	SPONGE CASE L 4	1		-			2500
389	33K-58302-03	SPONGE PANEL L	1		-			2500
390	33K-58303-03	SEAL SPONGE L	1		-			2500
391	33K-58401-03	SPONGE CASE R	1		-			2500
392	33K-58406-03	SPONGE CASE R 4	1		-			2500
393	33K-58409-03	SPONGE CASE R 7	1		-			2500
394	33K-58408-03	SPONGE CASE R 6	1		-			2500
395	33K-58407-03	SPONGE CASE R 5	1		-			2500
396	33K-58404-03	SPONGE CASE R 2	1		-			2500
397	33K-58405-03	SPONGE CASE R 3	1		-			2500
398	33K-58402-03	SPONGE PANEL R	1		-			2500
399	33K-58403-03	SEAL SPONGE R	1		-			2500
400	33K-58410-03	SEAL SPONGE R 2	1		-			2500
540	33K-55001-13	TANK CAP COVER	1		-			2500
542	013-10400-91	SCREW AND WASHER AY	1		-			2500
546	018-00400-00	FLANGE NUT	1		-			2500
612	015-00400-90	TAPPING SCREW	1	M4X12L	-			2500



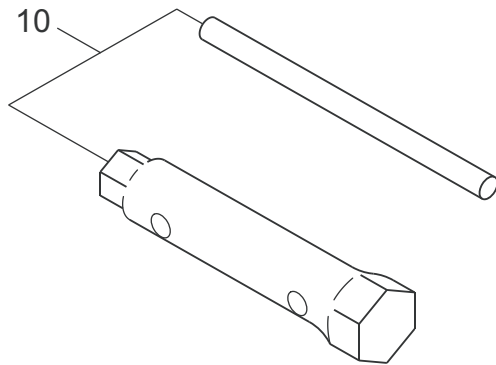
FIG. 2600



## 26 FUEL TANK GROUP

REF.	PART NUMBER	PART NAME	QTY	R E M A R K S	CODE NO.	INTERCHANGE P/NO.	UNIT P	FIG.
10	33K-61101-12	FUEL TANK UN	1		-			2600
30	33K-65010-00	FUEL TANK CAP AY	1		-			2600
34	021-02600-50	GASKET(TANK CAP)	1	T=1.5	-			2600
35	023-24200-12	PARTITION PLATE	1		-			2600
40	33K-61201-J1	FUEL FILTER CP	1		-			2600
50	33K-63001-10	FUEL COCK AY	1		-			2600
55	33K-61402-01	FUEL STRAINER	1		-			2600
57	004-36051-20	SCREW AND WASHER AY	1	M5X0.8X12L W/W,SW	-			2600
59	002-18050-00	NUT	1		-			2600
80	33K-62260-03	RUBBER PIPE	1		-			2600
90	056-11300-10	HOSE CLAMP	2	13.2DX10BX0.8T	-			2600
108	33K-64101-03	TANK MOUNT	2		-			2600
110	33K-64001-13	NECK RUBBER	1		-			2600
120	33K-63002-03	FUELCOCK BRACKET	1		-			2600
122	011-00600-30	FLANGE BOLT	1	M6X1.0X14DX14L	-			2600
126	002-17060-00	NUT	1	M6X1.0X5H	-			2600
145	33K-64002-03	TANK SEAT 1	1		-			2600
146	33K-64003-03	TANK SEAT 2	1		-			2600
510	33K-62201-00	FUEL PUMP CP	1		-			2600
522	X85-10617-40	RUBBER PIPE	1	6DX11.6DX270L	-	085-10600-00		2600
532	X85-10617-50	RUBBER PIPE	2	6DX11.6DX205L	-	085-10600-00		2600
533	056-11100-20	HOSE CLAMP	6	11.5DX8BX0.7T	-			2600
540	015-00600-20	TAPPING SCREW	2		-			2600

FIG. 2900



## 29 ACCESSORIES LABEL GR

REF.	PART NUMBER	PART NAME	QTY	R E M A R K S	CODE NO.	INTERCHANGE P/NO.	UNIT P	FIG.
10	33K-99001-00	ACCESSORY TOOL KIT	1		-			2900

## Free Manuals Download Website

<http://myh66.com>

<http://usermanuals.us>

<http://www.somanuals.com>

<http://www.4manuals.cc>

<http://www.manual-lib.com>

<http://www.404manual.com>

<http://www.luxmanual.com>

<http://aubethermostatmanual.com>

Golf course search by state

<http://golfingnear.com>

Email search by domain

<http://emailbydomain.com>

Auto manuals search

<http://auto.somanuals.com>

TV manuals search

<http://tv.somanuals.com>