

PARTS MANUAL

Model

R1210

Generator

PUB-GP0724
Rev. 8/98

HOW TO USE THIS PARTS CATALOG

1. Reference numbers with an asterisk




Reference numbers marked with an asterisk indicate that the particular part is available only as a complete set or assembly.

Example :

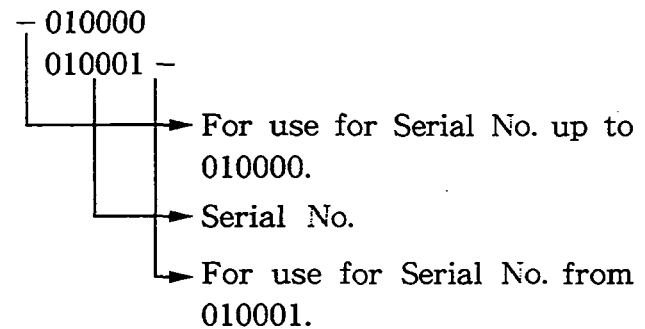
If the reference number is marked with an asterisk and the description of the part states that certain items are included, this means that those included items cannot be ordered separately and must be purchased as a complete assembly.

2. Description of interchangeability and execution columns

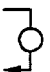


Example : Interchangeability column

-  Items interchangeable between the new and old parts.
-  Items not interchangeable between the new and old parts.
-  Items conditionally interchangeable between the new and old parts which are subject to the description in the execution column.

Example : Execution column



Example : Interchangeable

Part Number	↓	Execution	Explanation
Part B Part A		020000 -	This indicates that Part A changed to Part B for generators with serial numbers from 20000, and that they are interchangeable.
Part C Part B Part A		020000 - 015000 -	This indicates that Part A changed to Part B for generators with serial numbers from 15000, and that they are not interchangeable. Also, Part B changed to Part C for generators with serial numbers from 20000 and that they are interchangeable.
Part A		020000 -	This indicates that Part A is a new part for generators with serial numbers with from 20000.
Part B		- 030000	This indicates that Part B is no longer used for generator with serial numbers from 30001.
Part B Part A		020000 -	This indicates that Part A changed to Part B for generators with serial numbers from 20000, and that they are conditionally interchangeable. (See NOTE described at the end of the section.)

3. The contents of this parts catalog are subject to revision without notice.
 To INSURE PROMPT AND ACCURATE SERVICE, ALSO THE FOLLOWING INFORMATION MUST BE GIVEN.

1. State exactly the quantity of each part and its part numbers.
2. Clearly state whether parts are to be shipped by express, freight or parcel post.
3. State the exact mailing address.

CONTENTS

	Page
GENERATOR PARTS	
FIG. 1 FUEL TANK.....	1
FIG. 2-1 CONTROL PANEL (STD RECEPTACLE TYPE).....	3
FIG. 3 GENERATOR.....	15
FIG. 4 COVER.....	17
 ENGINE PARTS	
FIG. 5-1 CRANKCASE (WITHOUT OIL SENSOR).....	19
FIG. 5-2 CRANKCASE (WITH OIL SENSOR).....	21
FIG. 6 CRANKSHAFT, PISTON and CAMSHAFT.....	23
FIG. 7 GOVERNOR.....	25
FIG. 8 BLOWER HOUSING and MUFFLER.....	27
FIG. 9 AIR CLEANER and CARBURETOR.....	29
FIG. 10 MAGNETO.....	31
FIG. 11 RECOIL STARTER.....	33

FIG. 1 FUEL TANK

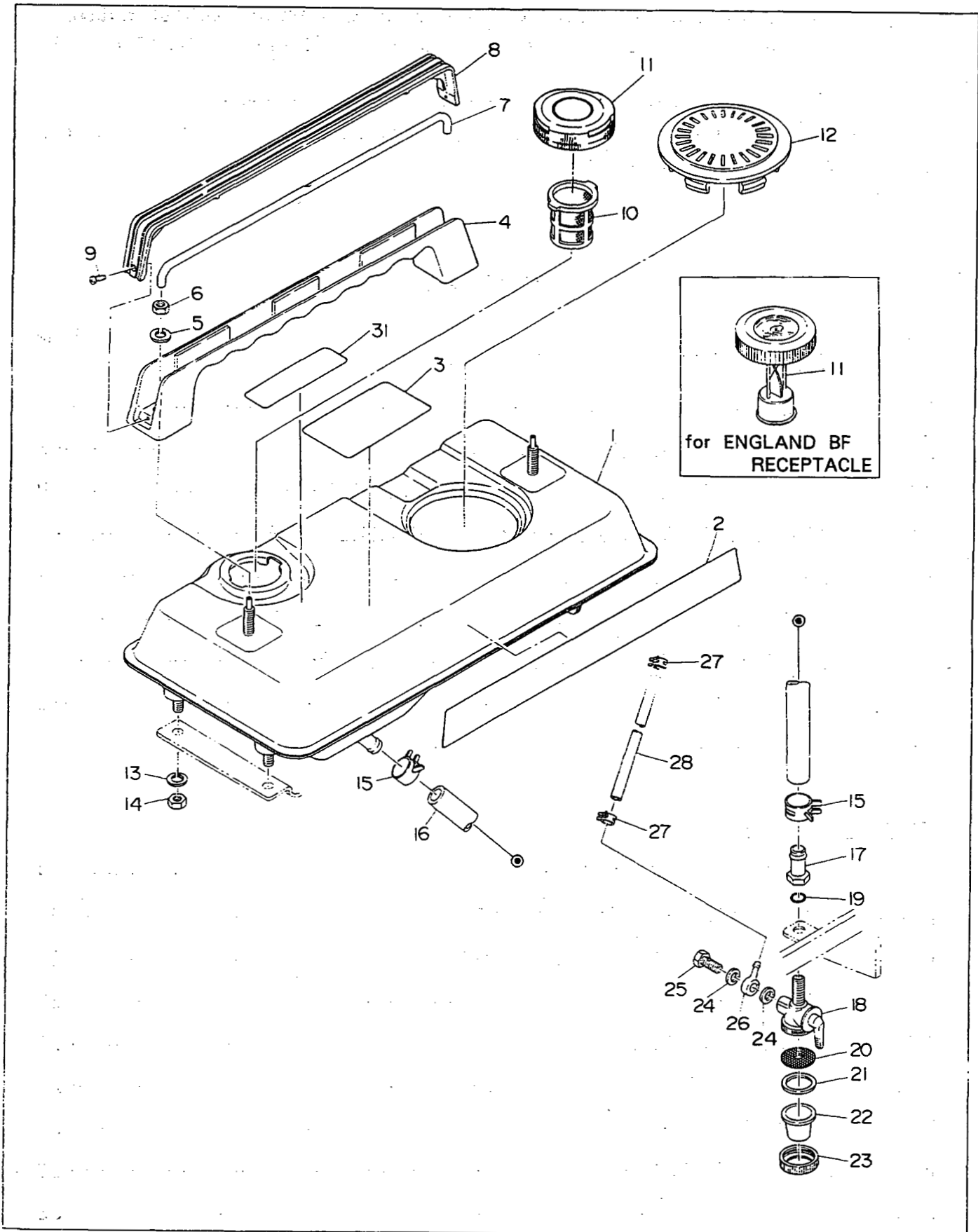


FIG. 1 FUEL TANK

r Interchangeability

Ref. No.	Parts Number	Description	Q'ty	Execution
1	350-60103-71	FUEL TANK, compl.	1	
2	350-91717-03	LABEL, trade mark for STD and CHINA	1	
2	350-91718-03	LABEL, trade mark for FRANCE	1	
3	073-20026-31	LABEL, caution	1	
3	073-20026-63	LABEL, caution for FRANCE	1	
3	073-20029-61	LABEL, caution for CHINA	1	
4	350-65201-01	HANDLE	1	
5	003-20080-00	SPRING WASHER	2	
6	002-18080-00	NUT	2	
7	350-65501-03	BREATHER PIPE(5φ×8φ×360mm)	1	
8	350-65401-13	HANDLE COVER	1	
9	004-31031-00	SCREW, pan head	2	
10	064-13600-20	FUEL FILTER, compl.	1	
11	043-04300-41	FUEL TANK CAP, compl.	1	
11	064-64200-71	FUEL GAUGE, compl. for ENGLAND BF RECEPTACLE	1	
12	227-66001-03	PLUG COVER	1	
13	003-20080-00	SPRING WASHER	2	
14	002-18080-00	NUT	2	
15	056-11700-10	HOSE CLAMP	2	
16	085-11100-00	RUBBER PIPE (11.5φ×17φ×135mm)	1	
17	053-30900-20	NUT, joint	1	
*18	064-20049-02	FUEL STRAINER ASS'Y Includes items 19 thru 28	1	
19	064-20003-30	O-RING	1	
20	064-20002-20	FILTER	1	
21	064-20002-30	PACKING	1	
22	064-20019-10	CUP	1	
23	064-20024-10	LOCK NUT, cup	1	
24	064-20002-50	FIBER PACKING	2	
25	064-20002-40	BANJO BOLT	1	
26	052-10700-42	BANJO	1	
27	056-11100-20	HOSE CLAMP	2	
28	085-10600-00	RUBBER PIPE (6φ×12φ×140mm)	1	
31	073-20030-80	LABEL, oil caution for CHINA	1	

FIG. 2-1 CONTROL PANEL (STD RECEPTACLE TYPE)

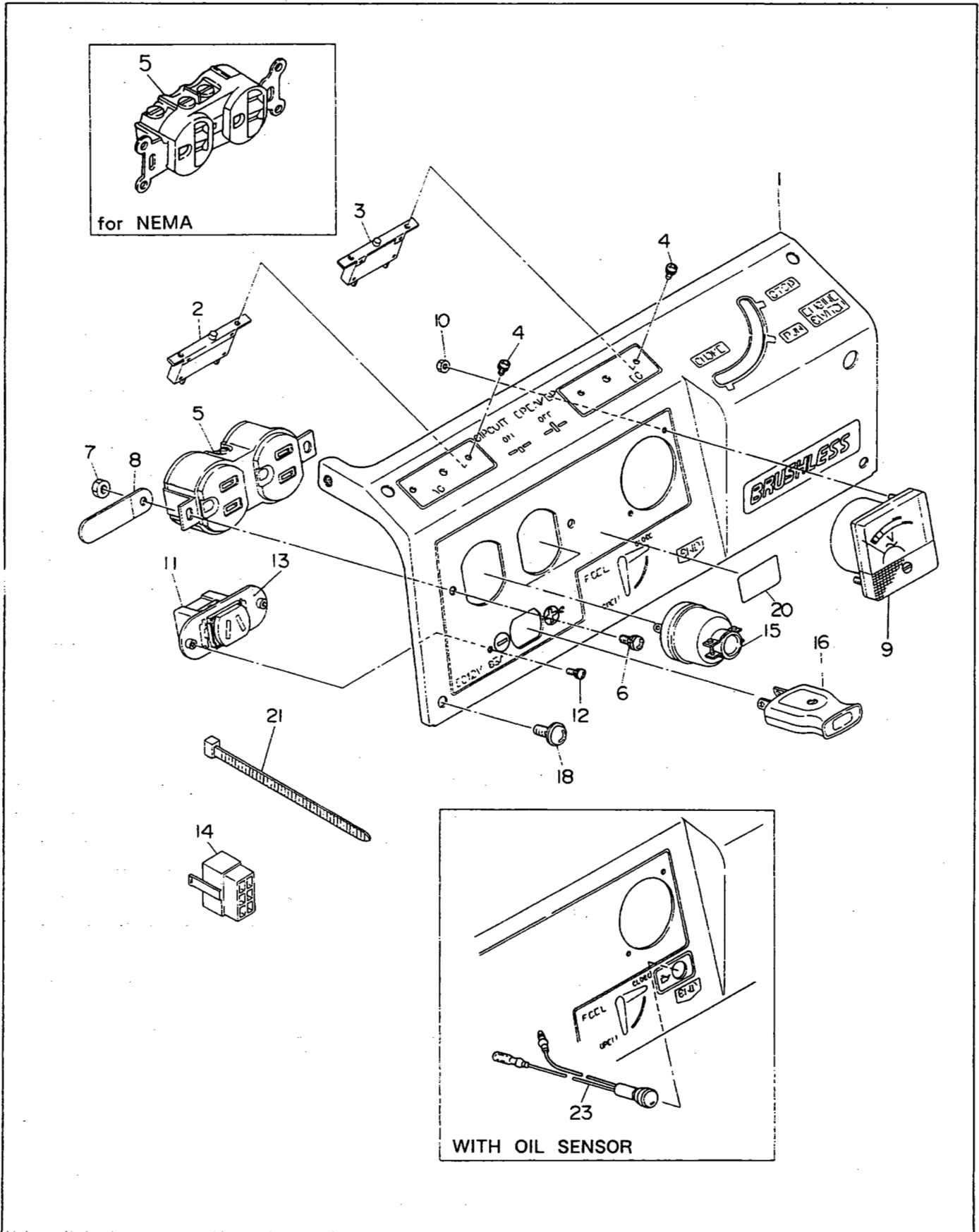


FIG. 2-1 CONTROL PANEL (STD RECEPTACLE TYPE)

r Interchangeability

Ref. No.	Parts Number	Description	Qty	Execution
1	350-41802-01	CONTROL PANEL, compl.	1	
1	350-41808-01	CONTROL PANEL, compl. for CHINA, 50Hz-220V	1	
1	350-42502-01	CONTROL PANEL, compl. with oil sensor for 60Hz-110V	1	
2	351-45624-08	CIRCUIT BREAKER (AC) for 8A, 50Hz-110V, 60Hz-120V	1	
2	352-45620-08	CIRCUIT BREAKER (AC) for 10A, 60Hz-110V	1	
2	350-40605-08	CIRCUIT BREAKER (AC) for 5A, 60Hz-220V	1	
2	376-42001-08	CIRCUIT BREAKER (AC) for 3.15A, 50Hz-240V	1	
2	377-42000-08	CIRCUIT BREAKER (AC) for 3.5A, 50Hz-220V, 230V	1	
3	352-45620-08	CIRCUIT BREAKER (DC) for 10A	1	
4	004-35030-60	SCREW and WASHER ASS'Y	4	
5	378-45736-08	AC RECEPTACLE, 250V-15A	1	
5	378-45737-08	AC RECEPTACLE, 125V-15A	1	
5	356-45712-08	AC RECEPTACLE, for NEMA, 125V-15A	1	
6	004-35041-00	SCREW and WASHER ASS'Y	2	
7	002-17040-00	NUT	2	
8	350-21053-08	CLAMP	1	
9	391-47800-01	AC VOLTMETER, for 110, 120V	1	
9	391-47900-01	AC VOLTMETER, for 220, 230, 240V	1	
10	002-17030-00	NUT	2	
11	350-40602-08	DC RECEPTACLE, 250V-10A	1	
12	004-35030-80	SCREW and WASHER ASS'Y	2	
13	350-40603-08	DC RECEPTACLE BASE	1	
14	353-54300-08	CONNECTOR (6P)	1	
15	358-95001-03	AC PLUG, RECEPTACLE for 250V-15A	2	
15	358-95002-03	AC PLUG, RECEPTACLE for 125V-15A	2	
16	358-95003-03	DC PLUG	1	
18	013-10500-20	SCREW and WASHER ASS'Y	4	
20	350-95101-03	LABEL (50Hz-220V)	1	
20	350-95102-03	LABEL (50Hz-230V)	1	
20	350-95103-03	LABEL (50Hz-240V)	1	
20	350-95104-03	LABEL (50Hz-110V)	1	
20	350-95107-03	LABEL (60Hz-110V)	1	
20	350-95108-03	LABEL (60Hz-120V)	1	
20	350-95109-03	LABEL (60Hz-220V)	1	
21	056-30000-20	WIRE BAND	3	
23	227-77002-00	LED LAMP ASS'Y, for oil sensor	1	

FIG. 3 GENERATOR

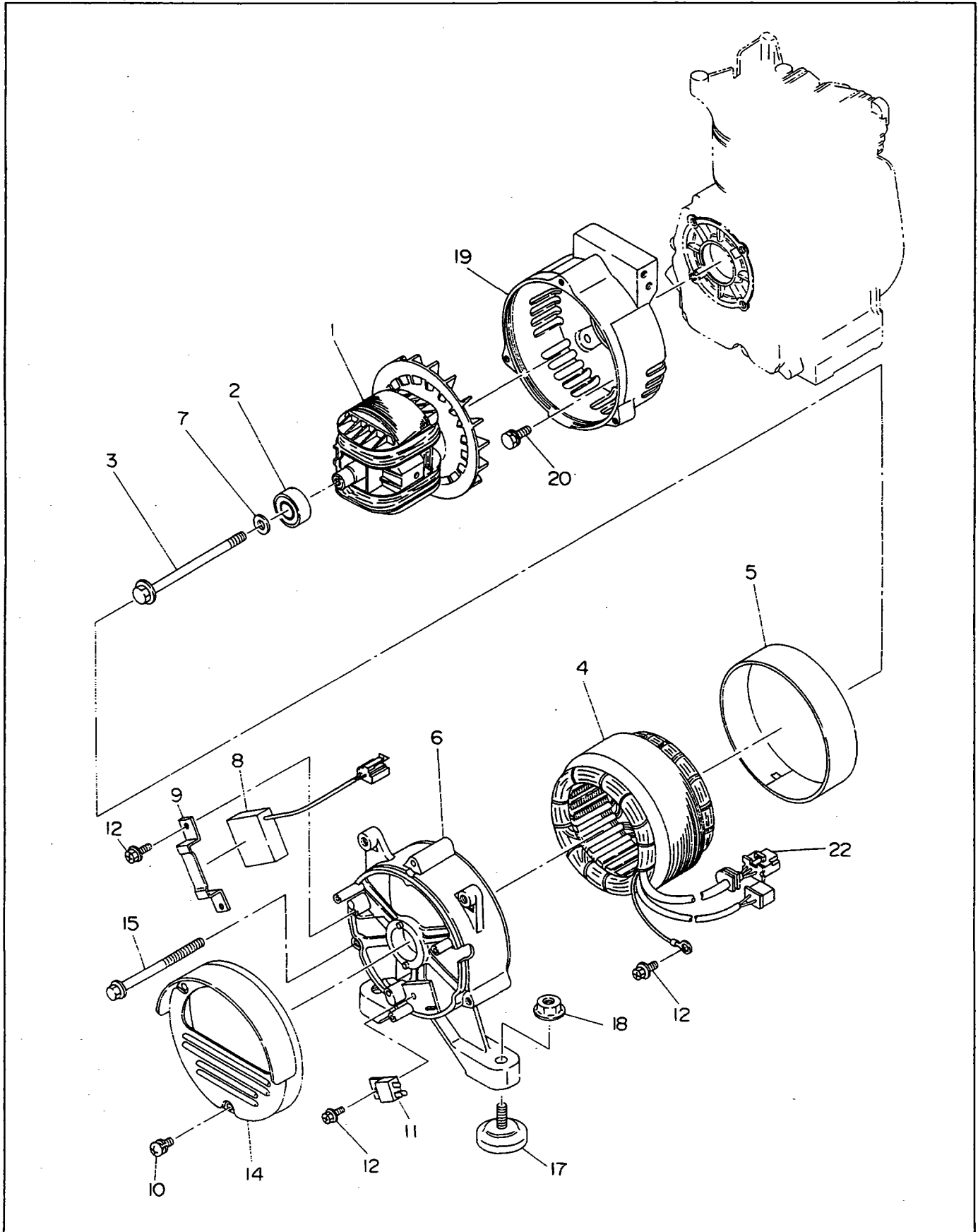


FIG. 4 COVER

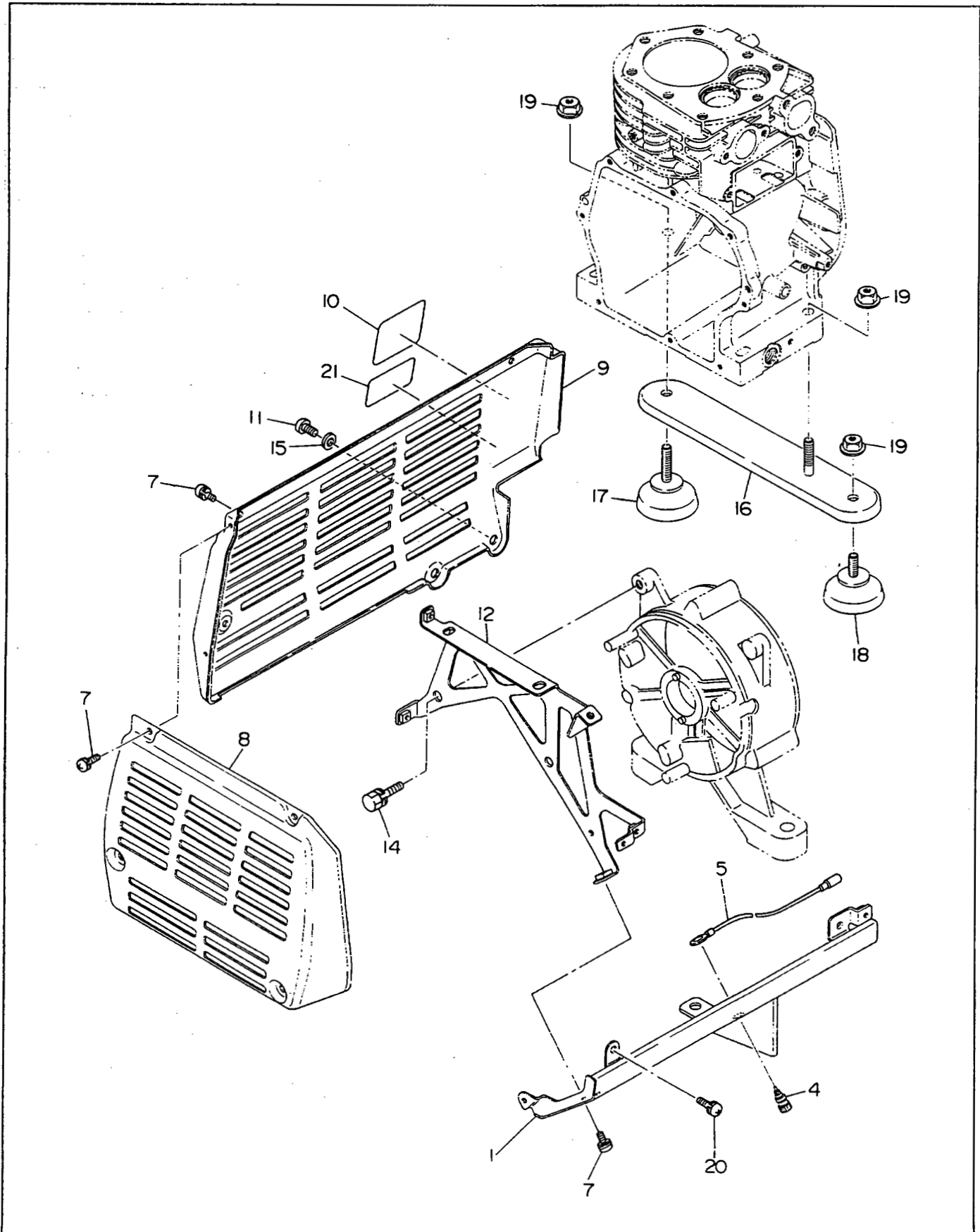


FIG. 4 COVER

r Interchangeability

Ref. No.	Parts Number	Description	Q'ty	Execution
1	350-50102-01	FRONT COVER compl.	1	
4	363-45700-08	TERMINAL BOLT	1	
5	350-54001-01	EARTH WIRE compl.	1	
7	013-10500-20	SCREW and WASHER ASS'Y	8	
8	350-51701-01	SIDE COVER	1	
9	350-50620-01	REAR COVER compl.	1	
10	350-91921-03	LABEL, spec. for 50Hz-110V	1	
10	350-91917-03	LABEL, spec. for 50Hz-220V	1	
10	350-91922-03	LABEL, spec. for 50Hz-220V,CHINA	1	
10	350-91918-03	LABEL, spec. for 50Hz-240V	1	
10	350-91919-03	LABEL, spec. for 60Hz-110V	1	
11	004-31081-00	SCREW, panhead	2	
12	350-35101-11	BRACKET, compl.	1	
14	001-13082-00	BOLT and WASHER ASS'Y	2	
15	003-11080-00	WASHER	2	
16	350-30701-21	MOUNT BRACKET compl.	1	
17	350-30101-01	MOUNT compl. for 50Hz	1	
17	350-30103-01	MOUNT compl. for 60Hz	1	
18	350-30102-01	MOUNT compl. for 50Hz	1	
18	350-30104-01	MOUNT compl. for 60Hz	1	
19	002-38080-00	FLANGE NUT	3	
20	004-34051-00	SCREW and WASHER ASS'Y	2	
21	073-20040-00	LABEL (100)	1	
21	073-20034-70	LABEL (94)	1	

FIG. 5-1 CRANKCASE (WITHOUT OIL SENSOR)

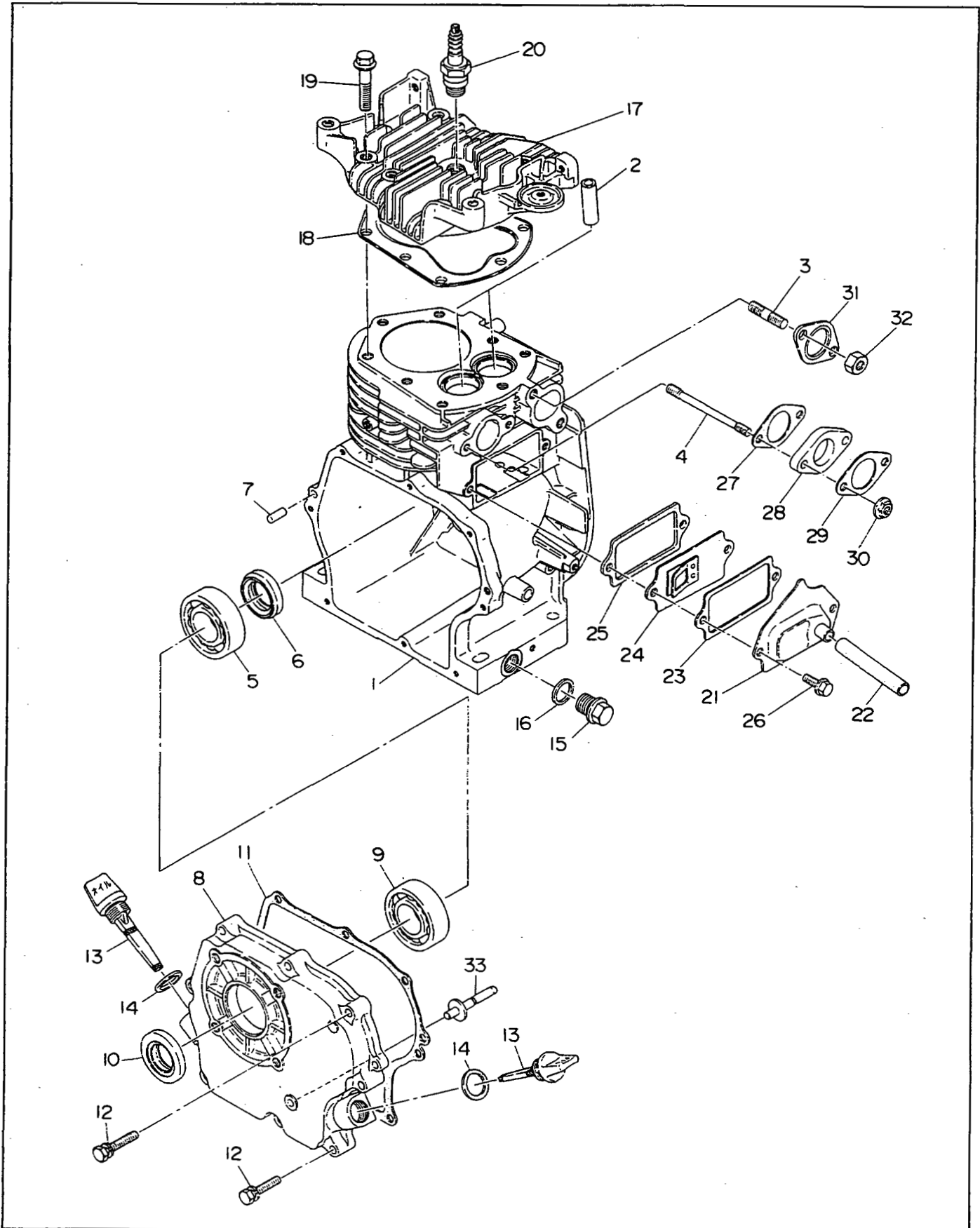


FIG. 5-1 CRANKCASE (WITHOUT OIL SENSOR)

Ref. No.	Parts Number	Description	Q'ty	Interchangeability	
					Execution
* 1	226-10101-21	CRANKCASE, compl. Includes items 2 thru 7	1		
2	227-14202-03	VALVE GUIDE, over size	2		
3	010-50802-50	STUD	2		
4	010-50601-20	STUD	2		
5	060-02500-10	BALL BEARING (BB-6205C3)	1		
6	044-02501-50	OIL SEAL (TB-25 ϕ \times 38 ϕ \times 7)	1		
7	031-00600-20	DOWEL PIN	2		
* 8	227-11001-21	MAIN BEARING COVER, compl. Includes items 9,10 and 33	1		
9	060-02500-10	BALL BEARING (BB-6205C3)	1		
10	044-02501-60	OIL SEAL (TB-25 ϕ \times 41.24 ϕ \times 7.3)	1		
11	227-16001-03	GASKET, bearing cover	1		
12	013-00600-40	BOLT and WASHER ASS'Y	8		
13	227-63601-03	OIL GAUGE	2		
14	021-31600-10	GASKET	2		
15	040-11400-30	PLUG	2		
16	021-11400-20	GASKET	2		
17	226-13101-13	CYLINDER HEAD	1		
18	226-15001-11	GASKET, compl. head	1		
19	011-00800-10	FLANGE BOLT	8		
20	065-01401-50	SPARK PLUG (NGK BR6HS)	1		
21	227-14301-01	TAPPET COVER, compl.	1		
22	085-10800-00	RUBBER PIPE (8 ϕ \times 11 ϕ \times 75mm)	1		
23	227-16006-03	GASKET, tappet cover	1		
24	227-14401-01	BREATHER PLATE, compl.	1		
25	227-16007-03	GASKET, breather plate	1		
26	011-00600-20	FLANGE BOLT	2		
27	227-35901-03	GASKET, insulator	1		
28	227-32901-13	INSULATOR	1		
29	227-35904-03	GASKET 2, insulator	1		
30	002-38060-00	FLANGE NUT	2		
31	226-35201-01	GASKET, compl. exhaust	1		
32	002-19080-00	NUT	2		
*	226-99001-07	GASKET SET, Includes items 11,14,18,23,25,27,29 and 31	1		

FIG. 5-2 CRANKCASE (WITH OIL SENSOR)

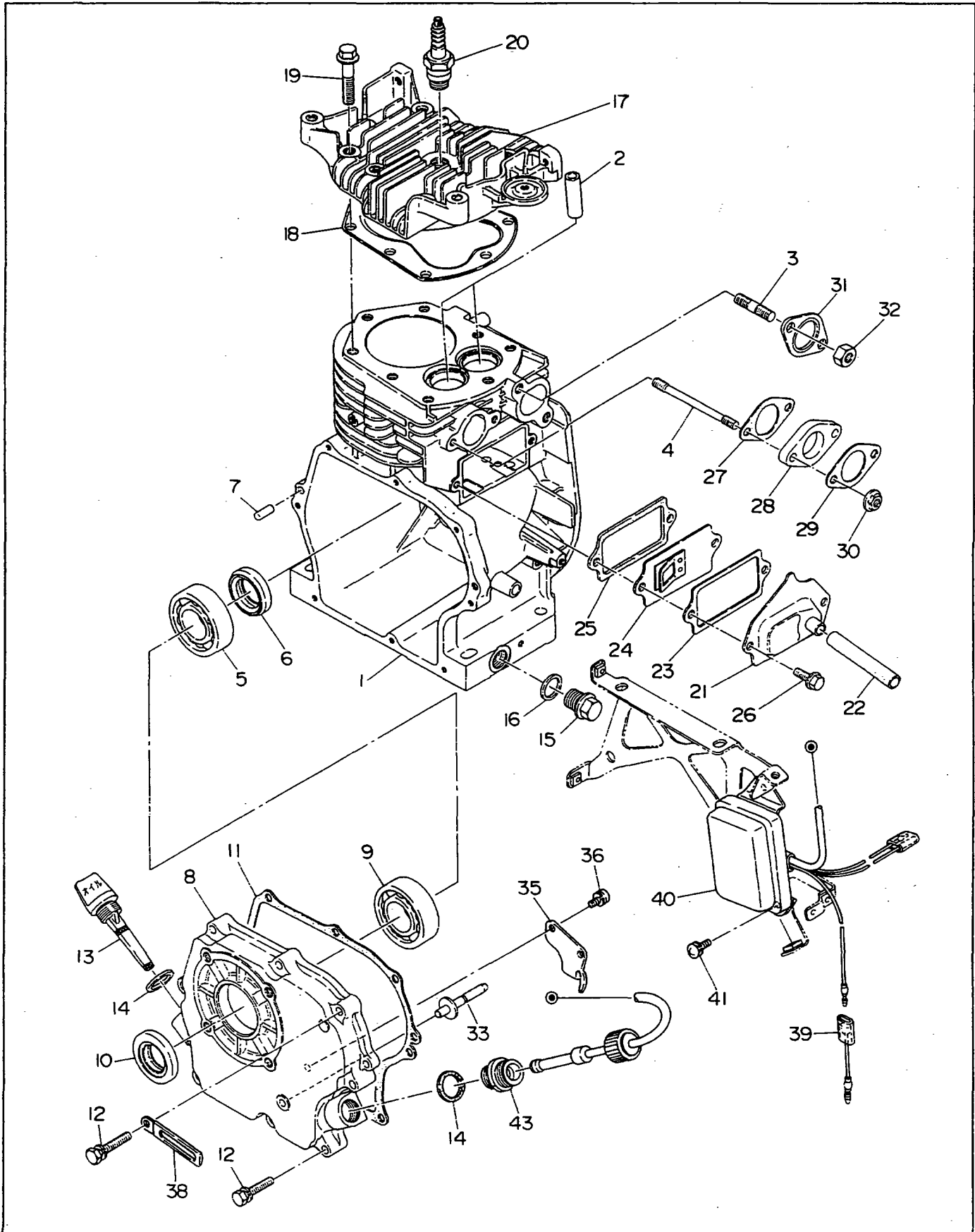


FIG. 5-2 CRANKCASE (WITH OIL SENSOR)

Ref. No.	Parts Number	Description	Q'ty	Execution
* 1	226-10101-21	CRANKCASE, compl. Includes items 2 thru 7	1	
2	227-14202-03	VALVE GUIDE, over size	2	
3	010-50802-50	STUD	2	
4	010-50601-20	STUD	2	
5	060-02500-10	BALL BEARING (BB-6205C3)	1	
6	044-02501-50	OIL SEAL (TB-25 ϕ ×38 ϕ ×7)	1	
7	031-00600-20	DOWEL PIN	2	
* 8	227-11006-01	MAIN BEARING COVER, compl. Includes items 9,10 and 33	1	
9	060-02500-10	BALL BEARING (BB-6205C3)	1	
10	044-02501-60	OIL SEAL (TB-25 ϕ ×41.24 ϕ ×7.3)	1	
11	227-16001-03	GASKET, bearing cover	1	
12	013-00600-40	BOLT and WASHER ASS'Y	8	
13	227-63601-03	OIL GAUGE	1	
14	021-31600-10	GASKET	2	
15	040-11400-30	PLUG	2	
16	021-11400-20	GASKET	2	
17	226-13101-13	CYLINDER HEAD	1	
18	226-15001-11	GASKET, compl. head	1	
19	011-00800-10	FLANGE BOLT	8	
20	065-01401-50	SPARK PLUG (NGK BR6HS)	1	
21	227-14301-01	TAPPET COVER, compl.	1	
22	085-10800-00	RUBBER PIPE (8 ϕ ×11 ϕ ×75mm)	1	
23	227-16006-03	GASKET, tappet cover	1	
24	227-14401-01	BREATHER PLATE, compl.	1	
25	227-16007-03	GASKET, breather plate	1	
26	011-00600-20	FLANGE BOLT	2	
27	227-35901-03	GASKET, insulator	1	
28	227-32901-13	INSULATOR	1	
29	227-35904-03	GASKET 2, insulator	1	
30	002-38060-00	FLANGE NUT	2	
31	226-35201-01	GASKET, compl. exhaust	1	
32	002-19080-00	NUT	2	
35	227-17501-03	OIL SHELTER	1	
36	004-35040-80	SCREW and WASHER ASS'Y	2	
38	056-60002-50	CLAMP	1	
39	214-73122-01	WIRE 22, compl.	1	
40	227-76015-01	OIL LEVEL SENSOR, compl.	1	
41	004-36061-20	SCREW and WASHER ASS'Y	2	
43	227-76210-03	JOINT	1	
*	226-99001-07	GASKET SET, includes items 11,14,18,23,25,27,29 and 31	1	

FIG. 6 CRANKSHAFT, PISTON and CAMSHAFT

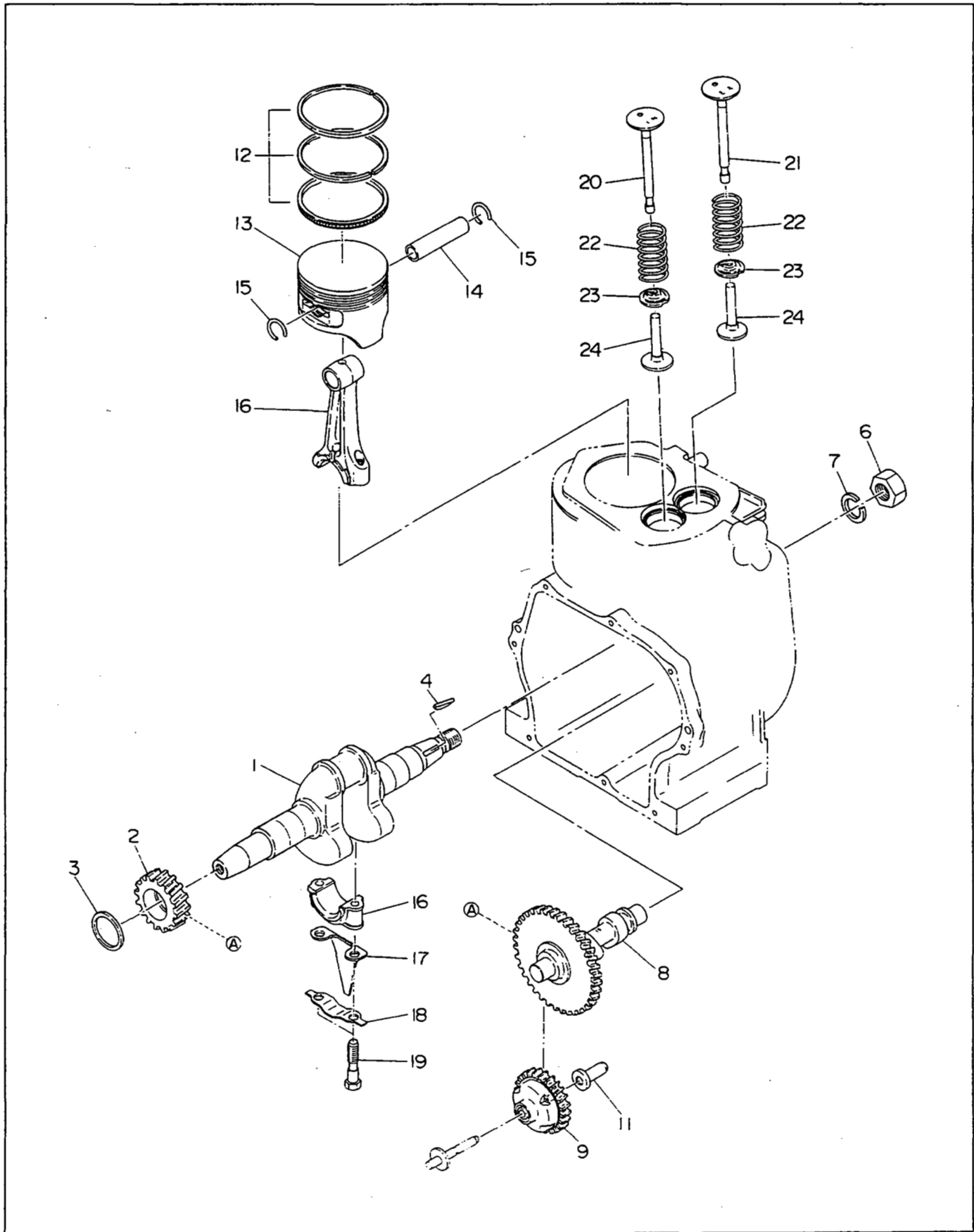


FIG. 6 CRANKSHAFT, PISTON and CAMSHAFT

Ref. No.	Parts Number	Description	Q'ty	Interchangeability	
					Execution
* 1	226-20202-51	CRANKSHAFT, compl. Includes item 2	1		
3	023-02501-10	SPACER t=0.6, select one piece only	1		
3	023-02501-20	SPACER t=0.8, select one piece only	1		
3	023-02501-30	SPACER t=1.0, select one piece only	1		
4	032-30300-10	WOODRUFF KEY	1		
6	002-18140-00	NUT	1		
7	003-20140-00	SPRING WASHER	1		
8	226-31701-13	CAMSHAFT	1		
9	227-45003-01	GOVERNOR GEAR, compl.	1		
11	205-41901-03	GOVERNOR SLEEVE	1		
12	226-23501-07	PISTON RING SET (S.T.D.)	1		
12	226-23502-07	PISTON RING SET, over size 0.25mm	1		
12	226-23503-07	PISTON RING SET, over size 0.50mm	1		
13	226-23401-03	PISTON (S.T.D.)	1		
13	226-23402-03	PISTON, over size 0.25mm	1		
13	226-23403-03	PISTON, over size 0.50mm	1		
14	214-23301-13	PISTON PIN	1		
15	056-51400-10	CLIP	2		
*16	226-22501-00	CONNECTING ROD ASS'Y . Includes items 17 thru 19	1		
17	226-23101-03	OIL SCRAPER	1		
18	205-23201-03	ROD LOCK WASHER	1		
19	226-23001-03	CONNECTING ROD BOLT	2		
20	226-33401-03	INTAKE VALVE	1		
21	226-33501-13	EXHAUST VALVE	1		
22	227-33601-03	VALVE SPRING	2		
23	227-33701-03	SPRING RETAINER	2		
24	226-33301-03	TAPPET	2		

FIG. 7 GOVERNOR

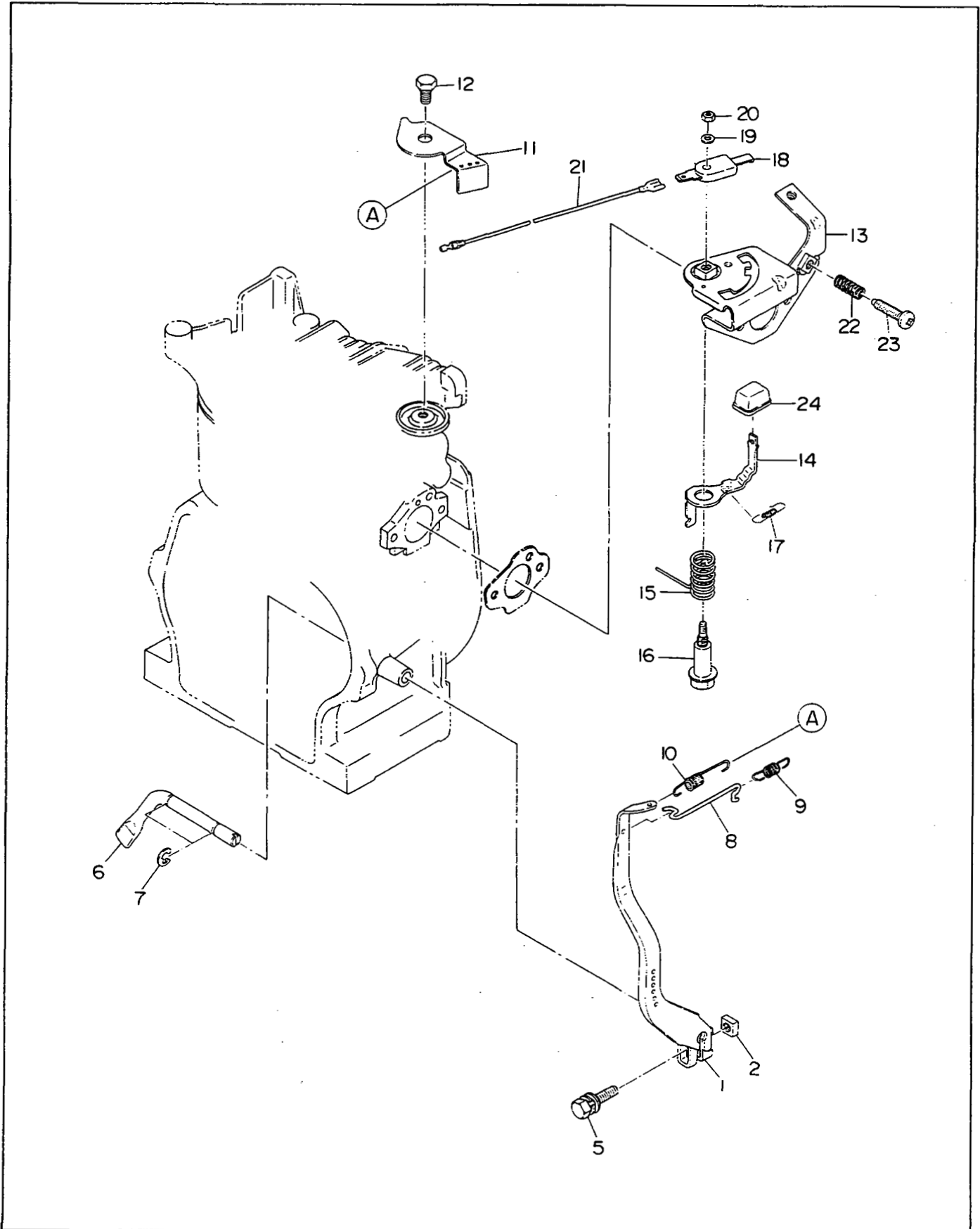


FIG. 7 GOVERNOR

r Interchangeability

Ref. No.	Parts Number	Description	Q'ty	Execution
1	226-42301-01	GOVERNOR LEVER, compl.	1	
2	018-60600-20	NUT	1	
5	001-14062-50	BOLT and WASHER ASS'Y	1	
6	227-42201-03	GOVERNOR SHAFT	1	
7	003-13060-00	CLIP	2	
8	227-42701-01	GOVERNOR ROD	1	
9	227-42801-01	ROD SPRING	1	
10	226-42506-01	GOVERNOR SPRING, for 50Hz	1	
10	226-42501-11	GOVERNOR SPRING, for 60Hz	1	
11	226-43304-01	SPEED CONTROL	1	
12	226-48003-01	BOLT	1	
13	226-47101-11	CONTROL BRACKET, compl.	1	
14	226-45301-11	CONTROL LEVER	1	
15	226-45004-13	SPRING, control	1	
16	226-48001-01	BOLT	1	
17	226-48005-13	SPRING, choke	1	
18	226-72702-01	STOP SWITCH, compl.	1	
19	003-10040-00	WASHER	1	
20	002-17040-00	NUT	1	
21	226-73110-01	WIRE 10, compl.	1	
22	226-48006-03	SPRING, adjust	1	
23	226-48004-01	SCREW, adjust	1	
24	226-43901-13	KNOB	1	

FIG. 8 BLOWER HOUSING and MUFFLER

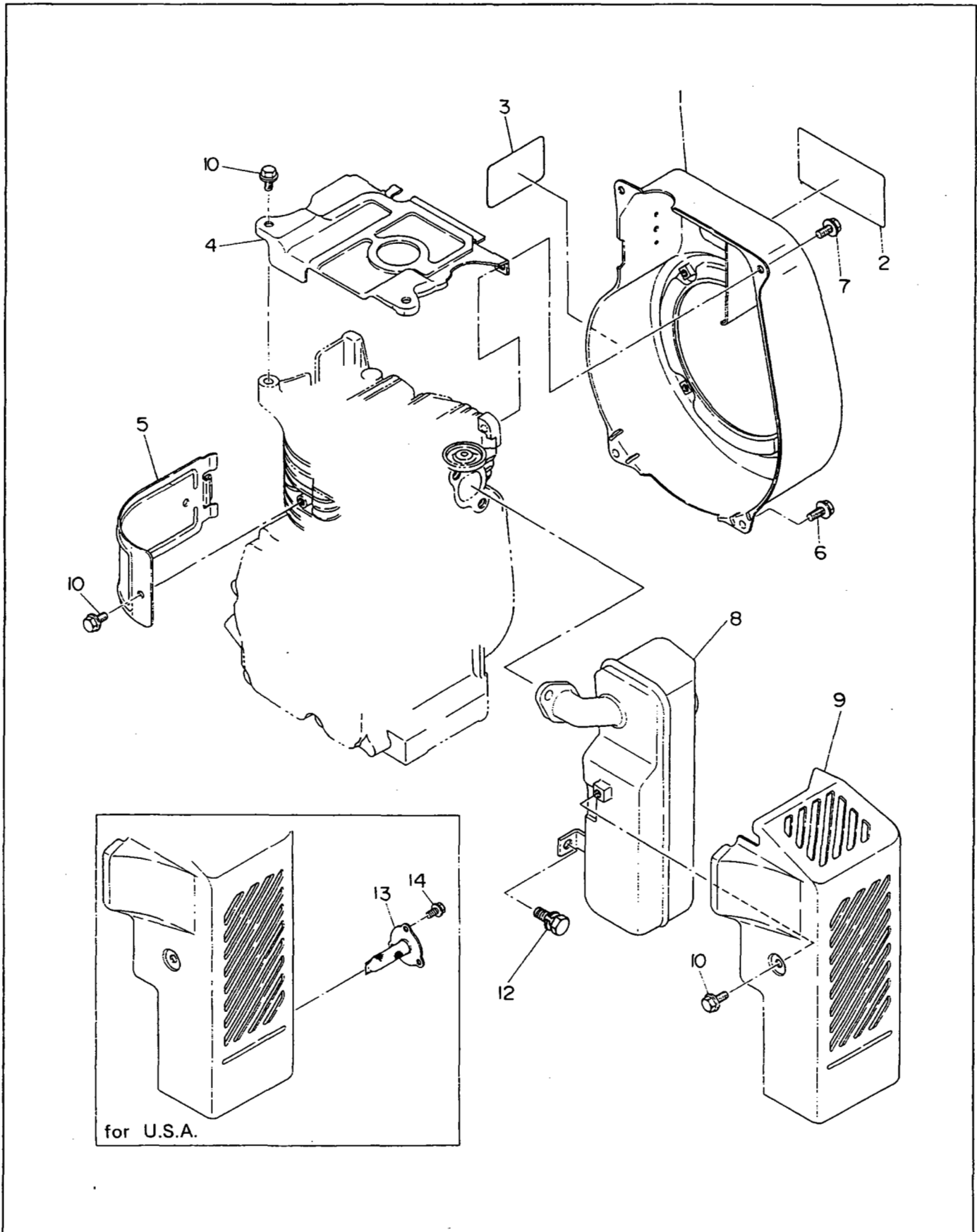


FIG. 9 CARBURETOR and AIR CLEANER

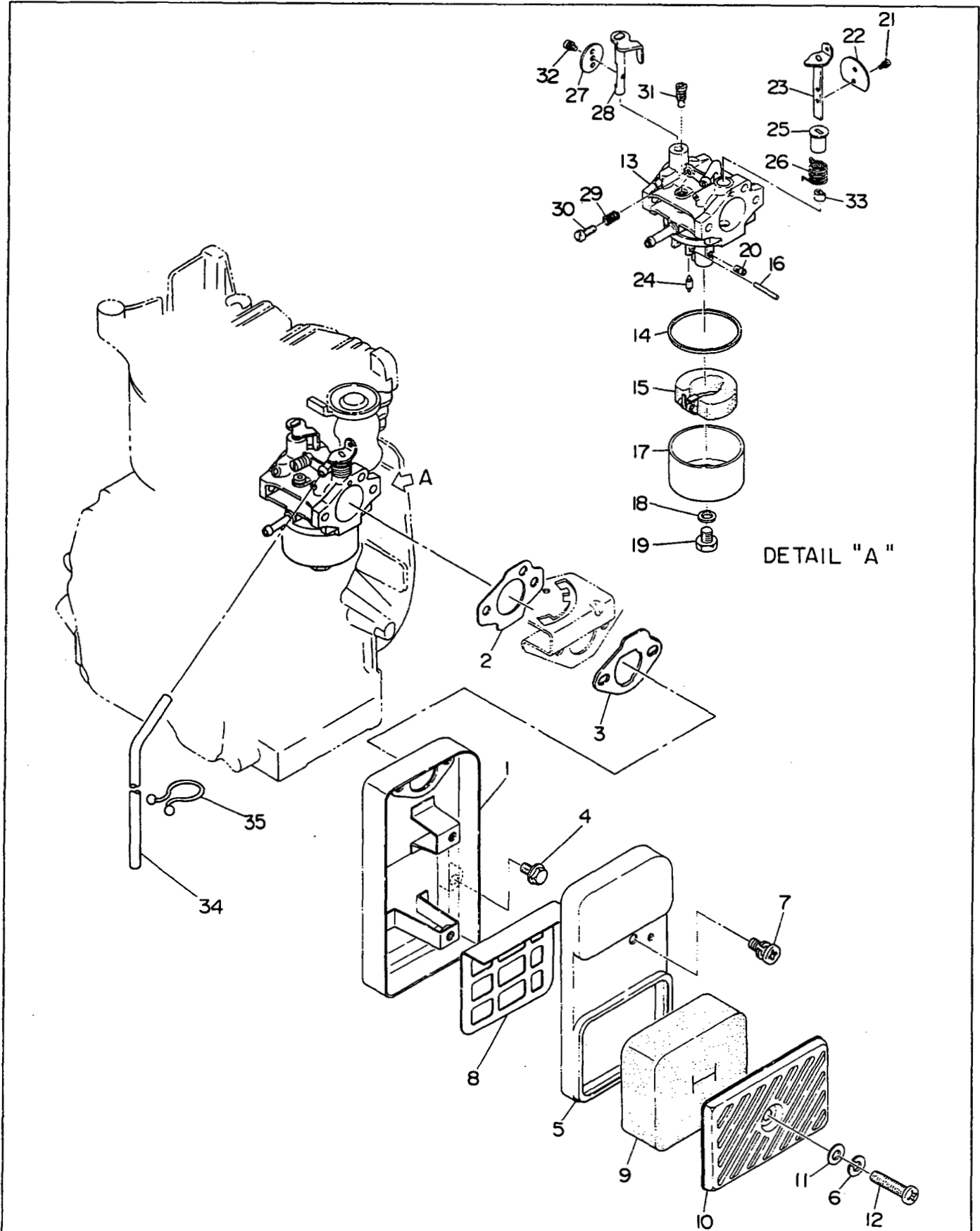


FIG. 9 CARBURETOR and AIR CLEANER

r Interchangeability

Ref. No.	Parts Number	Description	Q'ty	Execution
1	226-35301-11	CLEANER BODY, compl.	1	
2	227-36003-13	GASKET, air cleaner	1	
3	227-36004-13	GASKET, air cleaner	1	
4	011-00600-30	FLANGE BOLT	1	
5	226-35010-01	CLEANER CASE, compl.	1	
6	003-20060-00	SPRING WASHER	1	
7	004-35061-00	SCREW and WASHER ASS'Y	1	
8	226-36003-03	ELEMENT RETAINER	1	
9	226-36004-03	ELEMENT	1	
10	226-35402-01	ELEMENT COVER	1	
11	003-10060-00	WASHER	1	
12	014-10600-30	SCREW	1	
*13	226-62307-20	CARBURETOR ASS'Y, Includes items 14 thru 33	1	
14	214-62540-08	FLOAT CHAMBER PACKING	1	
15	226-62506-08	FLOAT ASS'Y	1	
16	214-62515-08	FLOAT PIN	1	
17	227-62558-08	FLOAT CHAMBER BODY	1	
18	214-62450-08	PACKING	1	
19	227-62451-08	BOLT	1	
20	226-62403-08	MAIN JET (#70)	1	
21	237-62451-08	SCREW	2	
22	226-62525-08	CHOKE VALVE	1	
23	226-62522-08	CHOKE LEVER	1	
24	226-62500-08	NEEDLE VALVE ASS'Y	1	
25	226-62553-08	RING	1	
26	226-62540-08	SPRING	1	
27	214-62535-08	THROTTLE VALVE (#165)	1	
28	226-62530-08	SHAFT ASS'Y	1	
29	209-62445-08	SPRING	1	
30	209-62352-08	SCREW	1	
31	207-62420-08	PILOT JET (#40)	1	
32	150-62356-08	SCREW	1	
33	226-62550-08	RING	1	
34	085-10400-00	PIPE, air vent (4φ×7φ×230mm)	1	
35	217-75002-03	PURSE LOCK (B)	1	

FIG. 10 MAGNETO

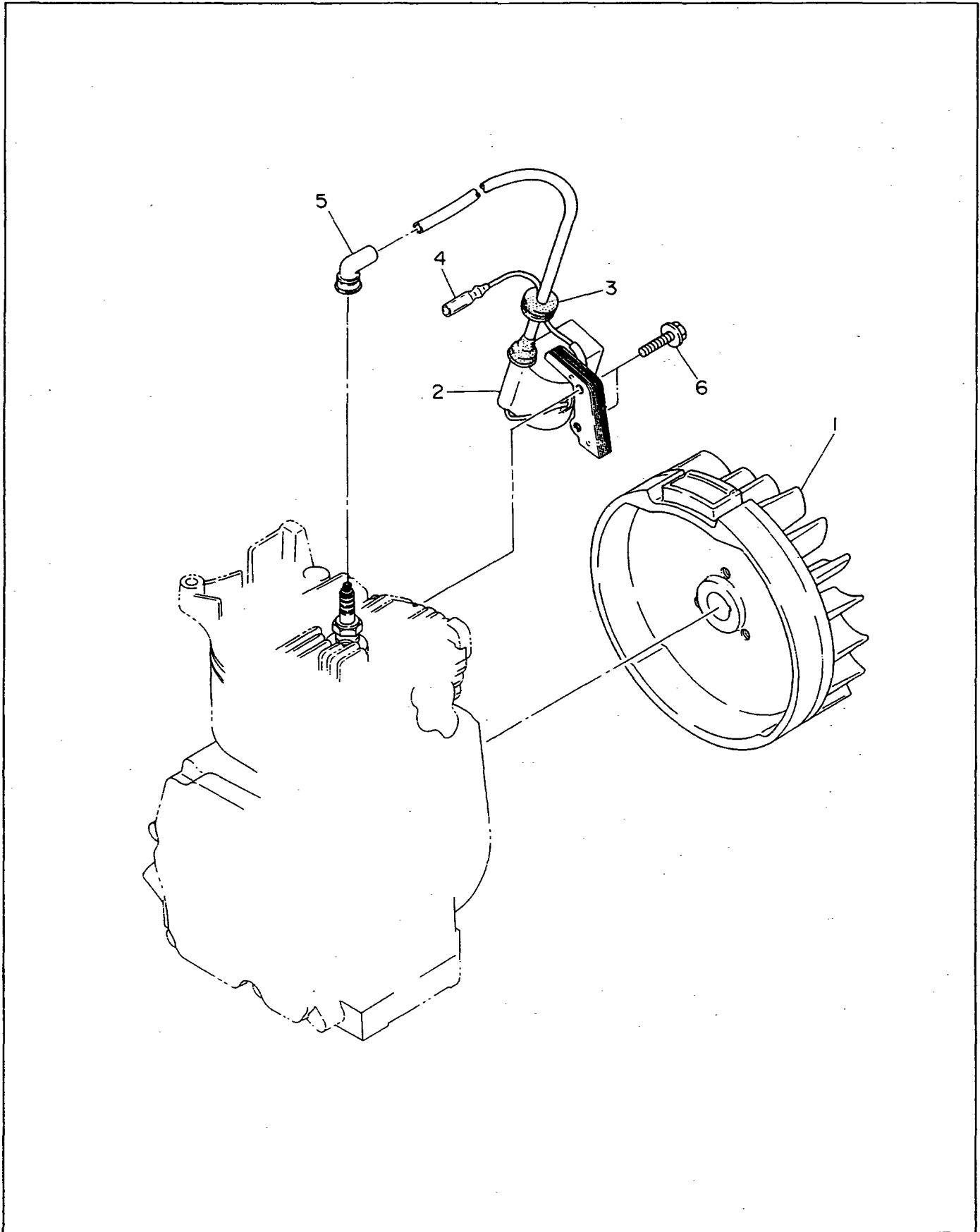


FIG. 11 RECOIL STARTER

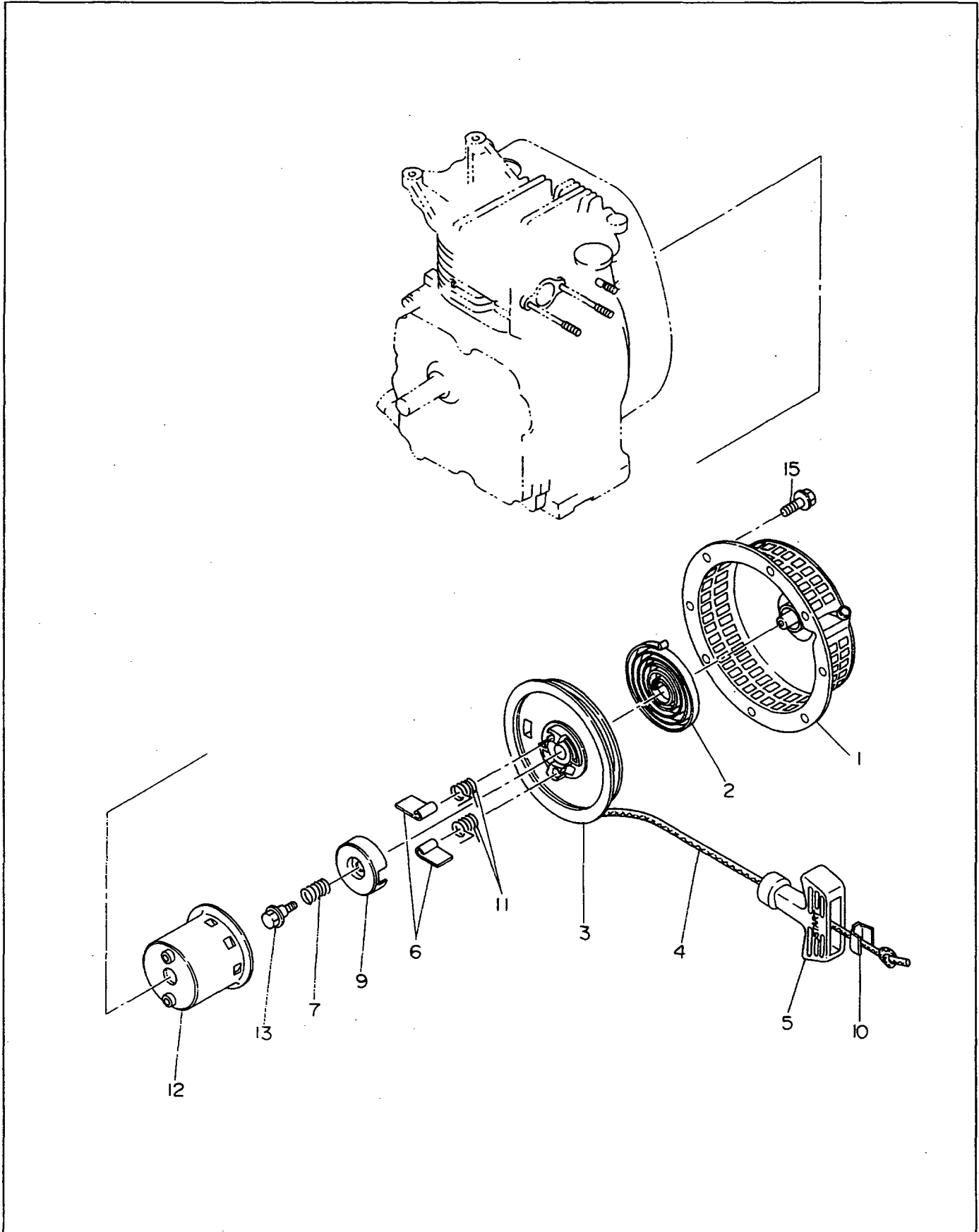


FIG. 11 RECOIL STARTER

				r Interchangeability
Ref. No.	Parts Number	Description	Q'ty	Execution
* 1	226-50711-00	RECOIL STARTER ASS'Y Includes items 2 thru 13	1	
2	226-50715-08	SPIRAL SPRING	1	
3	226-50720-08	REEL	1	
4	226-50710-18	STARTER ROPE	1	
5	226-50700-08	STARTER KNOB	1	
6	226-50725-08	RATCHET	2	
7	226-50730-08	FRICTION SPRING	1	
9	226-50740-08	FRICTION PLATE	1	
10	226-50750-08	KNOB CAP	1	
11	226-50752-08	RATCHET SPRING	2	
12	226-50745-08	STARTING PULLEY	1	
13	226-50751-08	CENTER SCREW	1	
15	011-00600-10	FLANGE BOLT	4	

Robin America, Inc.

940 Lively Blvd. • Wood Dale, IL 60191 • Phone: 630-350-8200 • Fax: 630-350-8212
e-mail: sales@robinamerica.com • www.robinamerica.com

PRINTED IN THE USA

Robin America, Inc.



Free Manuals Download Website

<http://myh66.com>

<http://usermanuals.us>

<http://www.somanuals.com>

<http://www.4manuals.cc>

<http://www.manual-lib.com>

<http://www.404manual.com>

<http://www.luxmanual.com>

<http://aubethermostatmanual.com>

Golf course search by state

<http://golfingnear.com>

Email search by domain

<http://emailbydomain.com>

Auto manuals search

<http://auto.somanuals.com>

TV manuals search

<http://tv.somanuals.com>