



# PARTS CATALOG

# Robin

## Generator

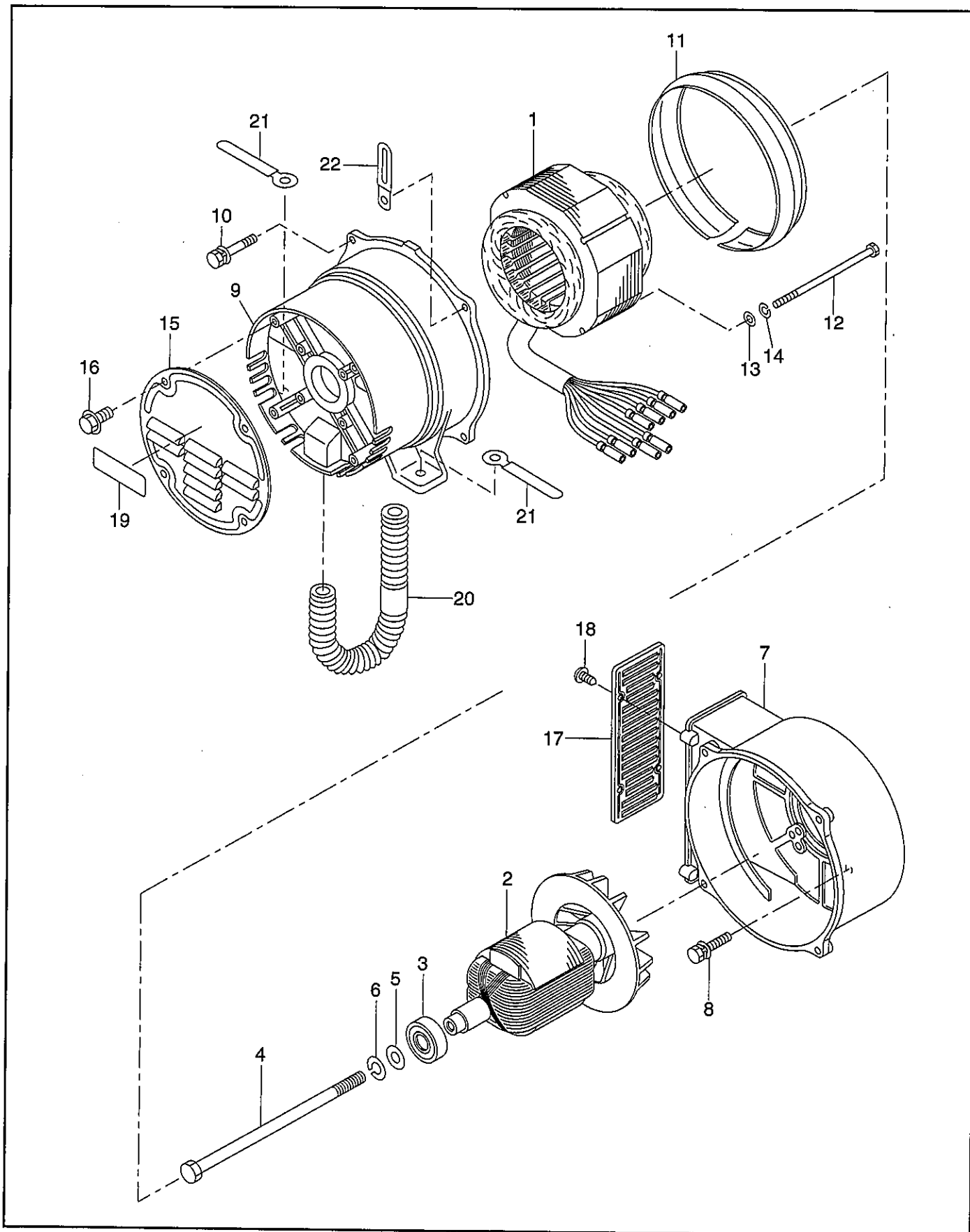
Model

# ***RGD3310***

 **FUJI HEAVY INDUSTRIES LTD.**

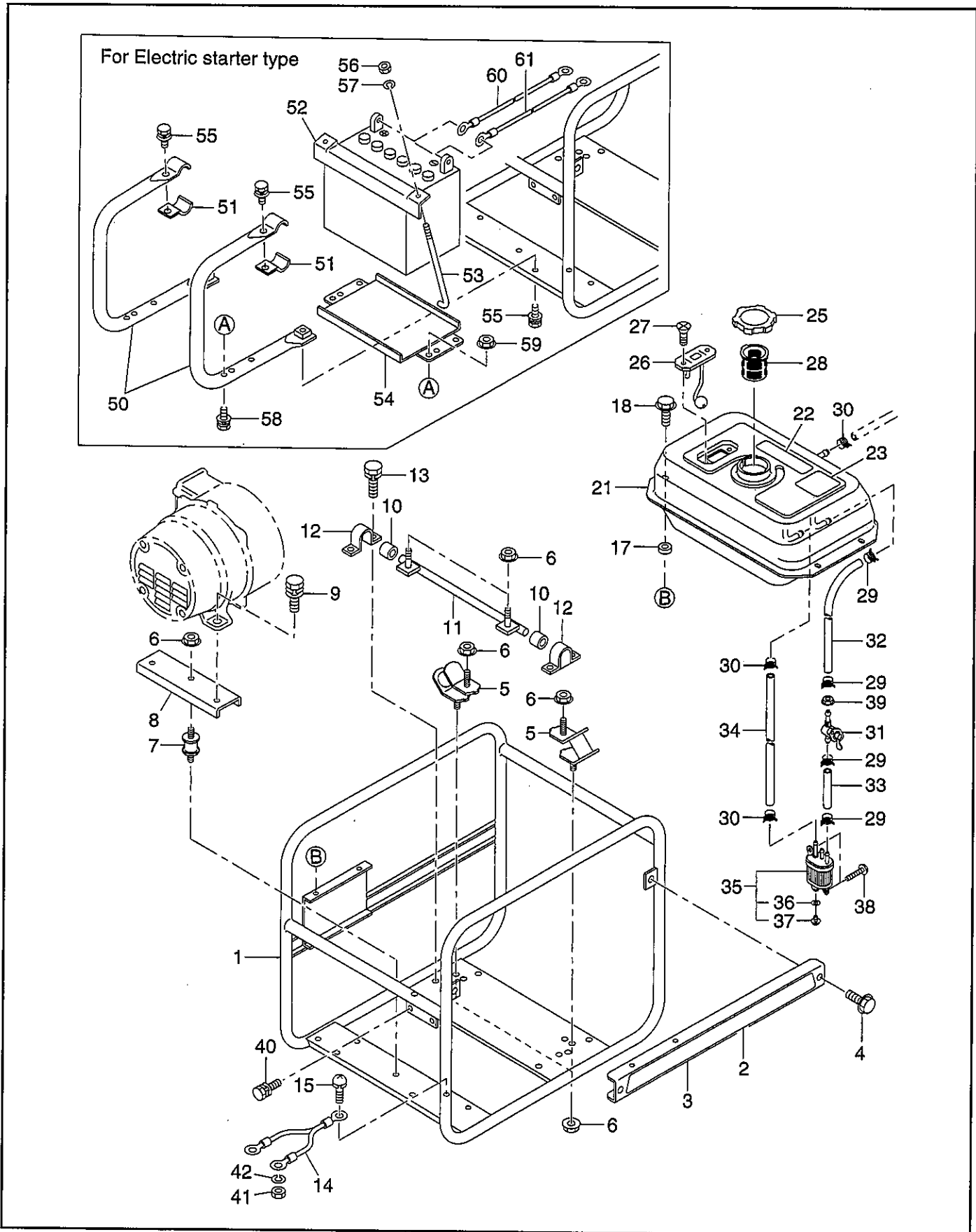
ISSUE EMD-GP1516

**FIG.1 GENERATOR GROUP**





# FIG.2 PIPE FRAME and FUEL TANK GROUP

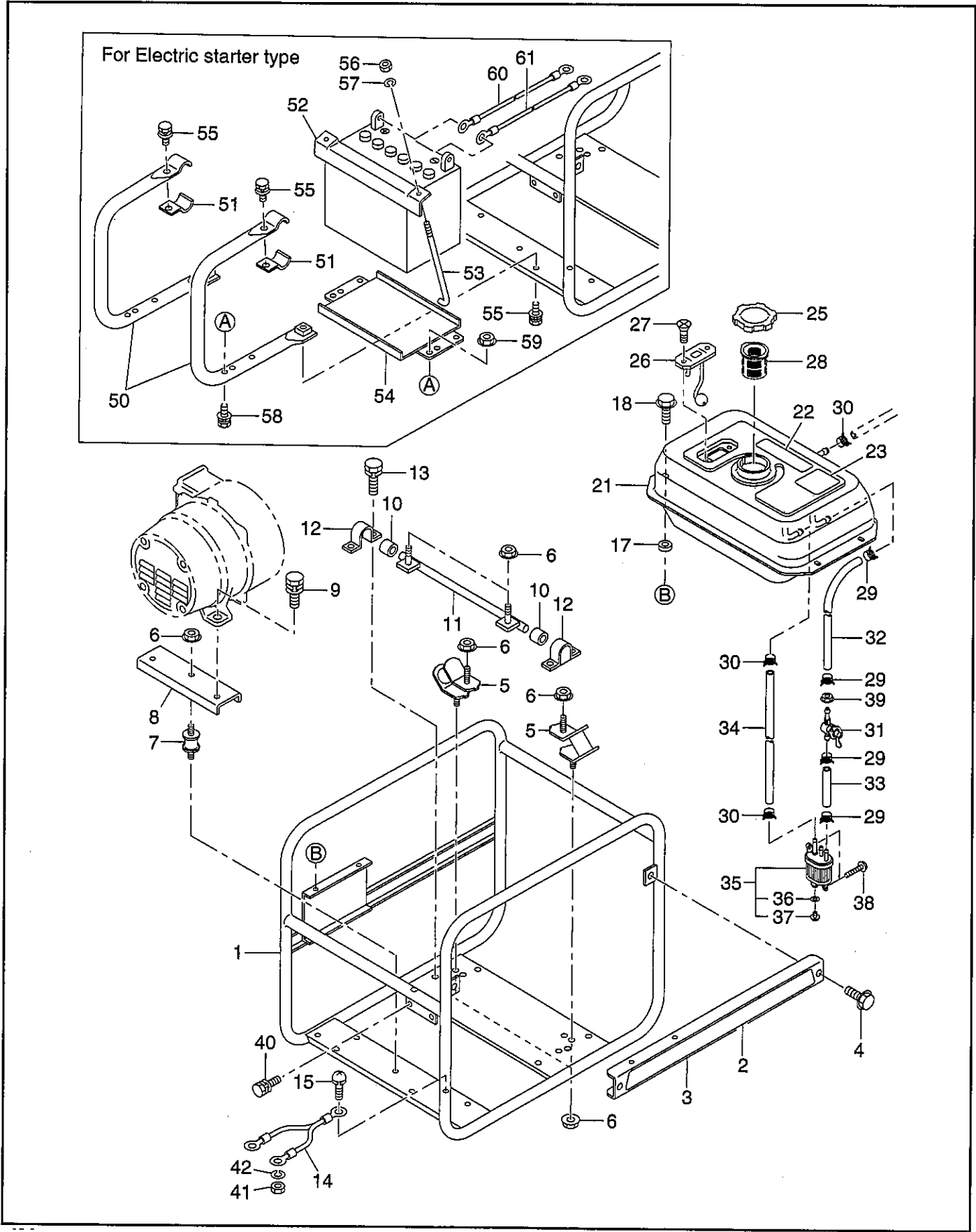


## FIG.2 PIPE FRAME and FUEL TANK GROUP

Interchangeability

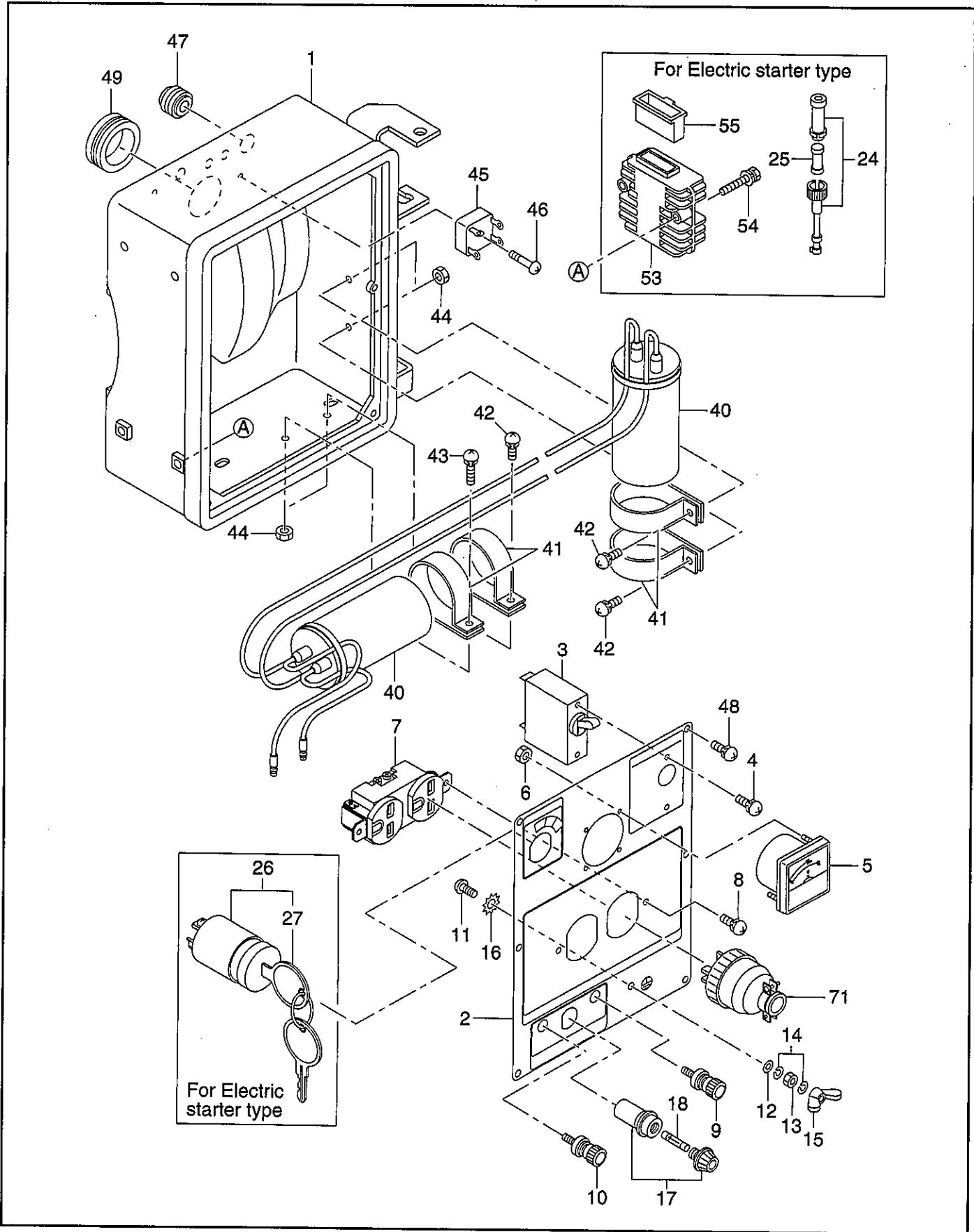
| Ref. No. | Part Number  | Description                                     | Q'ty | Execution |
|----------|--------------|---|------|-----------|
| 1        | 391-31001-31 | PIPE FRAME, compl.                              | 1    |           |
| 2        | 392-87101-03 | LABEL (RGD3310)                                 | 1    |           |
| 3        | 391-31101-21 | SIDE PLATE, compl.                              | 1    |           |
| 4        | 011-00600-80 | FLANGE BOLT                                     | 2    |           |
| 5        | 391-37001-21 | MOUNT, compl., engine side                      | 2    |           |
| 6        | 002-38080-00 | FLANGE NUT                                      | 7    |           |
| 7        | 391-37101-01 | MOUNT, compl., generator side                   | 1    |           |
| 8        | 391-37500-21 | GENERATOR BASE, compl.                          | 1    |           |
| 9        | 001-14082-50 | BOLT and WASHER ASS'Y                           | 2    |           |
| 10       | 391-38001-03 | RUBBER  | 2    |           |
| 11       | 391-38000-01 | SHAFT, stopper, compl.                          | 1    |           |
| 12       | 391-38500-01 | STOPPER, compl.                                 | 2    |           |
| 13       | 001-14061-60 | BOLT and WASHER ASS'Y                           | 4    |           |
| 14       | 391-39001-21 | EARTH WIRE, compl.                              | 1    |           |
| 15       | 376-39100-01 | SCREW and WASHER ASS'Y (M5 × 10mm)              | 1    |           |
| 17       | 391-39000-13 | RUBBER, tank                                    | 4    |           |
| 18       | 011-00602-20 | FLANGE BOLT                                     | 4    |           |
| 21       | 255-60210-01 | FUEL TANK, compl.                               | 1    |           |
| 22       | 377-92500-03 | LABEL, caution                                  | 1    |           |
| 23       | 391-94002-03 | LABEL, fuel only                                | 1    |           |
| 25       | 043-04300-15 | FUEL TANK CAP, compl.                           | 1    |           |
| 26       | 064-80007-00 | FUEL GAUGE, compl.                              | 1    |           |
| 27       | 014-50500-40 | SCREW, counter head                             | 2    |           |
| 28       | 243-66101-01 | FUEL FILTER                                     | 1    |           |
| 29       | 056-11100-20 | HOSE CLAMP                                      | 4    |           |
| 30       | 056-10800-10 | HOSE CLAMP                                      | 3    |           |
| 31       | 235-64601-20 | FUEL COCK ASS'Y                                 | 1    |           |
| 32       | 085-10600-00 | RUBBER PIPE (φ 6 × φ 12 × 180mm)                | 1    |           |
| 33       | 085-10600-00 | RUBBER PIPE (φ 6 × φ 12 × 70mm)                 | 1    |           |
| 34       | 085-14500-00 | RUBBER PIPE (φ 4.5 × φ 9 × 260mm)               | 1    |           |
| *35      | 243-62101-20 | FUEL FILTER ASS'Y Includes items 36 and 37      | 1    |           |
| 36       | 228-62112-08 | PACKING   | 1    |           |
| 37       | 228-62111-08 | PLUG  | 1    |           |
| 38       | 011-00600-20 | FLANGE BOLT                                     | 2    |           |
| 39       | 002-38100-00 | FLANGE NUT                                      | 1    |           |
| 40       | 001-14061-60 | BOLT and WASHER ASS'Y                           | 3    |           |
| 41       | 002-19040-00 | NUT   | 1    |           |
| 42       | 003-20040-00 | SPRING WASHER                                   | 1    |           |
| 50       | 391-33006-31 | BATTERY FRAME, compl. For Electric starter type | 2    |           |
| 51       | 391-33007-31 | CATCHER For Electric starter type               | 2    |           |
| 52       | 391-33003-21 | BATTERY STAY, compl. For Electric starter type  | 1    |           |
| 53       | 391-33004-11 | BATTERY BOLT, compl. For Electric starter type  | 2    |           |
| 54       | 391-33008-31 | BATTERY BASE, compl. For Electric starter type  | 1    |           |
| 55       | 001-15082-00 | BOLT and WASHER ASS'Y For Electric starter type | 4    |           |

# FIG.2 PIPE FRAME and FUEL TANK GROUP





**FIG.3-1 CONTROL BOX (50/60Hz-220V) GROUP**



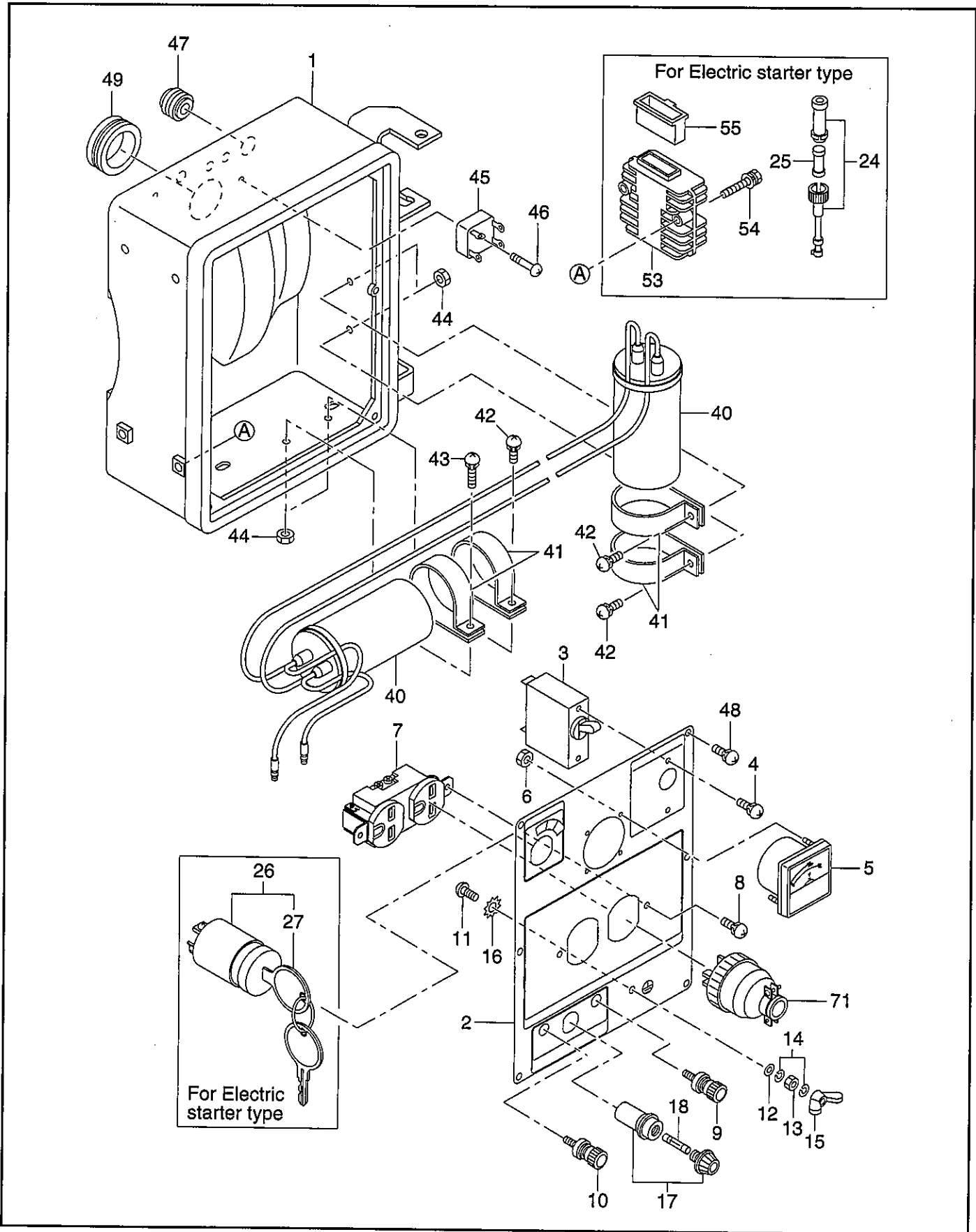


# FIG.3-1 CONTROL BOX (50/60Hz-220V) GROUP

Interchangeability

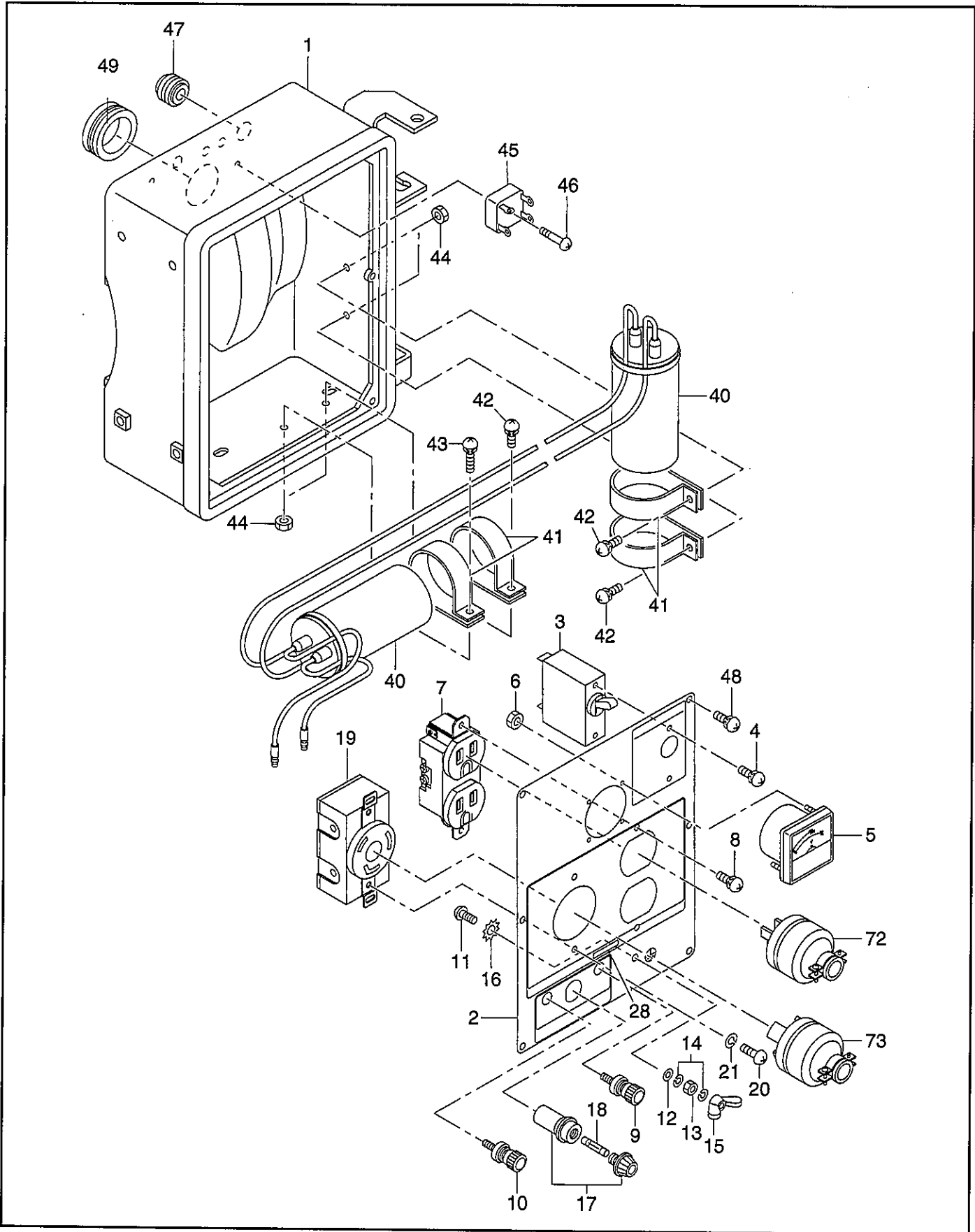
| Ref. No. | Part Number  | Description  | Q'ty | Execution |
|----------|--------------|--|------|-----------|
| *1       | 392-76501-00 | CONTROL BOX ASS'Y For Recoil starter type 50Hz<br>Includes items 1 thru 18 and 40 thru 49                          | 1    |           |
| *1       | 392-76507-00 | CONTROL BOX ASS'Y For Electric starter type 50Hz<br>Includes items 1 thru 18,24 thru 27, 40 thru 49 and 53 thru 55 | 1    |           |
| *1       | 392-76503-00 | CONTROL BOX ASS'Y For Recoil starter type 60Hz<br>Includes items 1 thru 18 and 40 thru 49                          | 1    |           |
| 1        | 391-73003-01 | CONTROL BOX, compl.  | 1    |           |
| *2       | 392-41001-10 | CONTROL PANEL A ASS'Y Includes items 2 thru 18<br>For Recoil starter type 50Hz                                     | 1    |           |
| *2       | 392-41022-10 | CONTROL PANEL A ASS'Y Includes items 2 thru 18<br>For Electric starter type 50Hz and 24 thru 27                    | 1    |           |
| *2       | 392-41018-10 | CONTROL PANEL A ASS'Y Includes items 2 thru 18<br>For Recoil starter type 60Hz                                     | 1    |           |
| 2        | 391-41001-01 | CONTROL PANEL, compl. For Recoil starter type  | 1    |           |
| 2        | 391-41015-01 | CONTROL PANEL, compl. For Electric starter type  | 1    |           |
| 3        | 392-43001-03 | CIRCUIT BREAKER (12A) 50Hz   | 1    |           |
| 3        | 392-43006-03 | CIRCUIT BREAKER (14A) 60Hz   | 1    |           |
| 4        | 004-35030-60 | SCREW and WASHER ASS'Y   | 2    |           |
| 5        | 391-47902-01 | AC VOLTMETER (200V CLASS)  | 1    |           |
| 6        | 002-17030-00 | NUT  | 2    |           |
| 7        | 378-45736-08 | AC RECEPTACLE (250V-15A)   | 1    |           |
| 8        | 004-35041-00 | SCREW and WASHER ASS'Y   | 2    |           |
| 9        | 363-45701-08 | TERMINAL BOLT (color : RED)  | 1    |           |
| 10       | 363-45700-08 | TERMINAL BOLT (color : BLACK)  | 1    |           |
| 11       | 356-49907-08 | SCREW (M5 × 14mm)  | 1    |           |
| 12       | 353-49903-08 | WASHER   | 1    |           |
| 13       | 353-49902-08 | NUT (M5)   | 1    |           |
| 14       | 332-00050-08 | SPRING WASHER  | 2    |           |
| 15       | 353-49901-08 | WING NUT(M5)   | 1    |           |
| 16       | 003-30050-00 | LOCK WASHER  | 1    |           |
| 17       | 320-59855-08 | FUSE HOLDER (DC)   | 1    |           |
| 18       | 008-02103-00 | FUSE(10A)  | 1    |           |
| 24       | 385-45517-08 | FUSE HOLDER (250V-10A) For Electric starter type   | 1    |           |
| 25       | 385-45518-08 | FUSE (15A) For Electric starter type   | 1    |           |
| *26      | 066-00003-30 | SWITCH For Electric starter type<br>Includes item 27   | 1    |           |
| 27       | 066-00099-80 | KEY  | 2    |           |
| 40       | 392-76301-01 | CONDENSER (20 μ F × 2)   | 1    |           |
| 41       | 30G-47605-08 | CONDENSER BRACKET  | 4    |           |
| 42       | 004-35041-00 | SCREW and WASHER ASS'Y   | 3    |           |
| 43       | 389-59989-08 | SCREW and WASHER ASS'Y (M4 × 16mm)   | 1    |           |
| 44       | 002-17040-00 | NUT  | 4    |           |
| 45       | 353-45804-08 | DIODE STACK ASS'Y  | 1    |           |
| 46       | 015-00400-70 | TAPPING SCREW  | 1    |           |

**FIG.3-1 CONTROL BOX (50/60Hz-220V) GROUP**



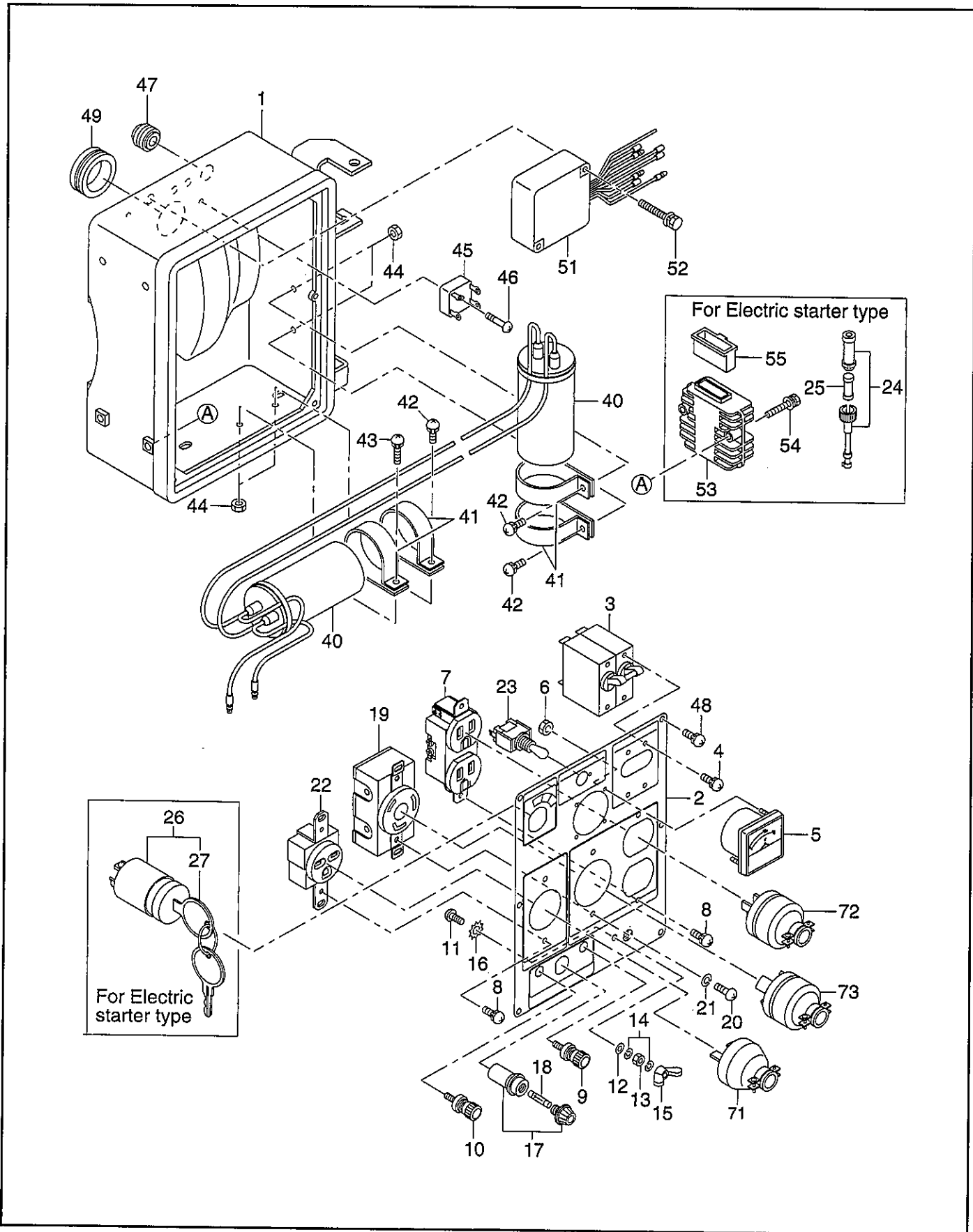


**FIG.3-2 CONTROL BOX (60Hz-110V) GROUP**





**FIG.3-3 CONTROL BOX (60Hz-110V/220V) GROUP**

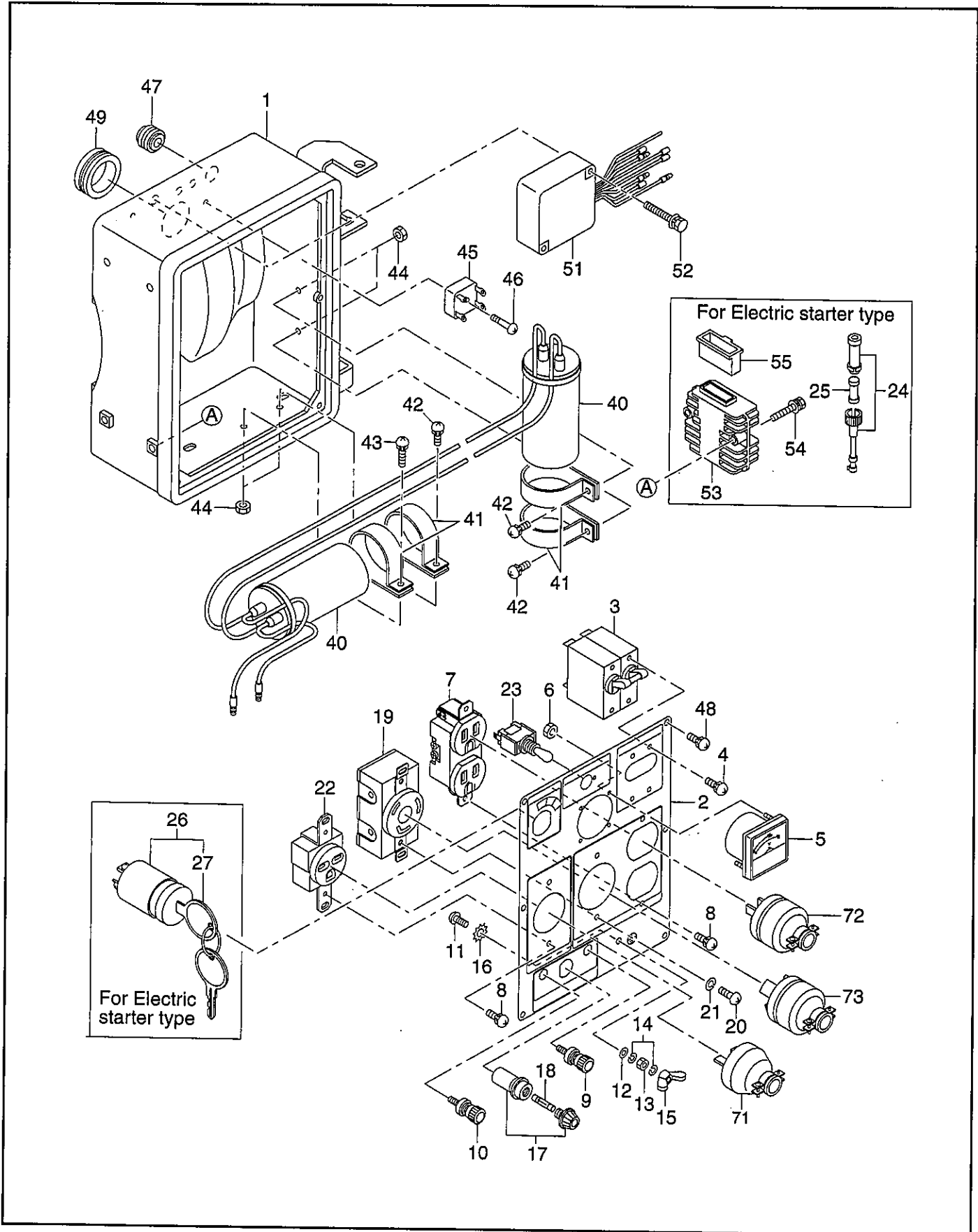


### FIG.3-3 CONTROL BOX (60Hz-110V/220V) GROUP

④Interchangeability

| Ref. No. | Part Number  | Description   | Q'ty | Execution |
|----------|--------------|---|------|-----------|
| *1       | 392-76504-00 | CONTROL BOX ASS'Y For Recoil starter type<br>Includes items 1 thru 23,40 thru 49,51 and 52        | 1    |           |
| *1       | 392-76505-00 | CONTROL BOX ASS'Y For Electric starter type<br>Includes items 1 thru 27,40 thru 49 and 51 thru 55 | 1    |           |
| 1        | 391-73003-01 | CONTROL BOX, compl.   | 1    |           |
| *2       | 392-41002-10 | CONTROL PANEL ASS'Y For Recoil starter type<br>Includes items 1 thru 23                           | 1    |           |
| *2       | 392-41046-10 | CONTROL PANEL ASS'Y For Electric starter type<br>Includes items 1 thru 27                         | 1    |           |
| 2        | 391-41002-01 | CONTROL PANEL A ASS'Y For Recoil starter type   | 1    |           |
| 2        | 391-41034-11 | CONTROL PANEL A ASS'Y For Electric starter type   | 1    |           |
| 3        | 392-43002-03 | CIRCUIT BREAKER(14A)  | 1    |           |
| 4        | 004-35030-60 | SCREW and WASHER ASS'Y  | 4    |           |
| 5        | 391-47802-01 | AC VOLTMETER (120V CLASS)   | 1    |           |
| 6        | 002-17030-00 | NUT   | 2    |           |
| 7        | 378-45737-08 | AC RECEPTACLE (125V-15A × 2)  | 1    |           |
| 8        | 004-35041-00 | SCREW and WASHER ASS'Y  | 4    |           |
| 9        | 363-45701-08 | TERMINAL BOLT (color : RED)   | 1    |           |
| 10       | 363-45700-08 | TERMINAL BOLT (color : BLACK)   | 1    |           |
| 11       | 356-49907-08 | SCREW (M5 × 14mm)   | 1    |           |
| 12       | 353-49903-08 | WASHER  | 1    |           |
| 13       | 353-49902-08 | NUT (M5)  | 1    |           |
| 14       | 332-00050-08 | SPRING WASHER   | 2    |           |
| 15       | 353-49901-08 | WING NUT (M5)   | 1    |           |
| 16       | 003-30050-00 | LOCK WASHER   | 1    |           |
| 17       | 320-59855-08 | FUSE HOLDER (DC)  | 1    |           |
| 18       | 008-02103-00 | FUSE (10A)  | 1    |           |
| 19       | 353-45703-08 | AC RECEPTACLE (250V-30A)  | 1    |           |
| 20       | 353-49905-08 | SCREW(M3.5 × 8mm)   | 2    |           |
| 21       | 326-00335-08 | SPRING WASHER   | 2    |           |
| 22       | 378-45738-08 | AC RECEPTACLE (250V-15A)  | 1    |           |
| 23       | 391-45612-01 | SWITCH ASS'Y  | 1    |           |
| 24       | 385-45517-08 | FUSE HOLDER (250V-10A) For Electric starter type  | 1    |           |
| 25       | 385-45518-08 | FUSE (15A) For Electric starter type  | 1    |           |
| *26      | 066-00003-30 | SWITCH For Electric starter type<br>Includes item 27  | 1    |           |
| 27       | 066-00099-80 | KEY   | 2    |           |
| 40       | 392-76301-01 | CONDENSER (20 μ F × 2)  | 1    |           |
| 41       | 30G-47605-08 | CONDENSER BRACKET   | 4    |           |
| 42       | 004-35041-00 | SCREW and WASHER ASS'Y  | 3    |           |
| 43       | 389-59989-08 | SCREW and WASHER ASS'Y (M4 × 16mm)  | 1    |           |
| 44       | 002-17040-00 | NUT   | 4    |           |
| 45       | 353-45804-08 | DIODE STACK ASS'Y   | 1    |           |
| 46       | 015-00400-70 | TAPPING SCREW   | 1    |           |

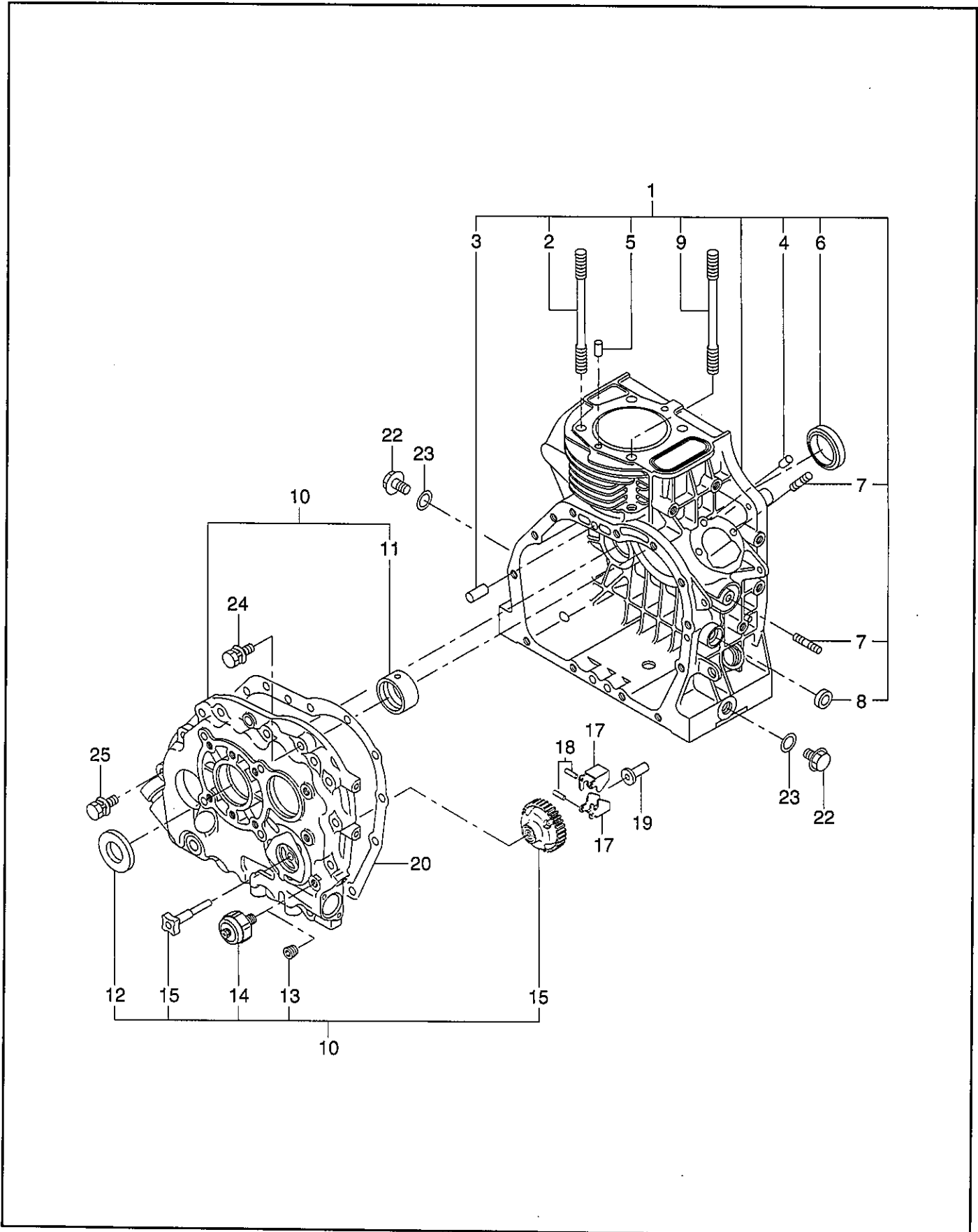
# FIG.3-3 CONTROL BOX (60Hz-110V/220V) GROUP





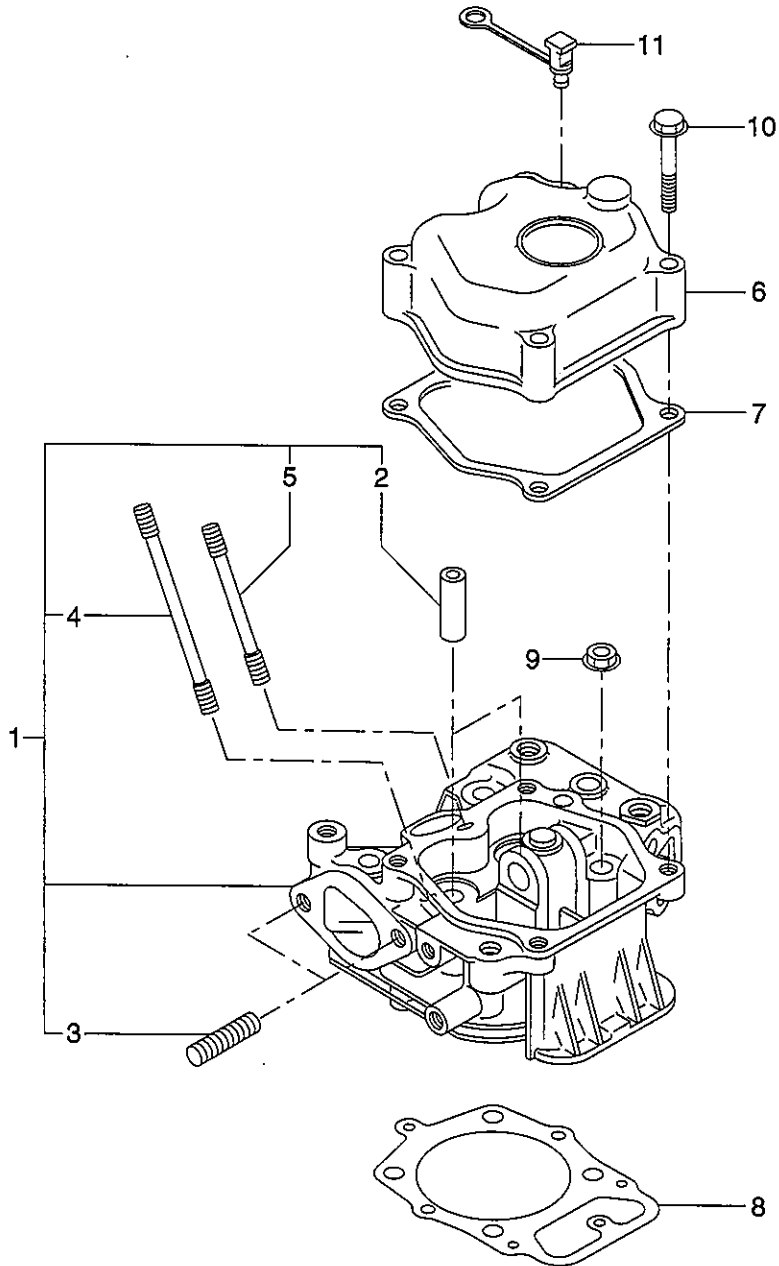


**FIG.4 CRANKCASE GROUP**



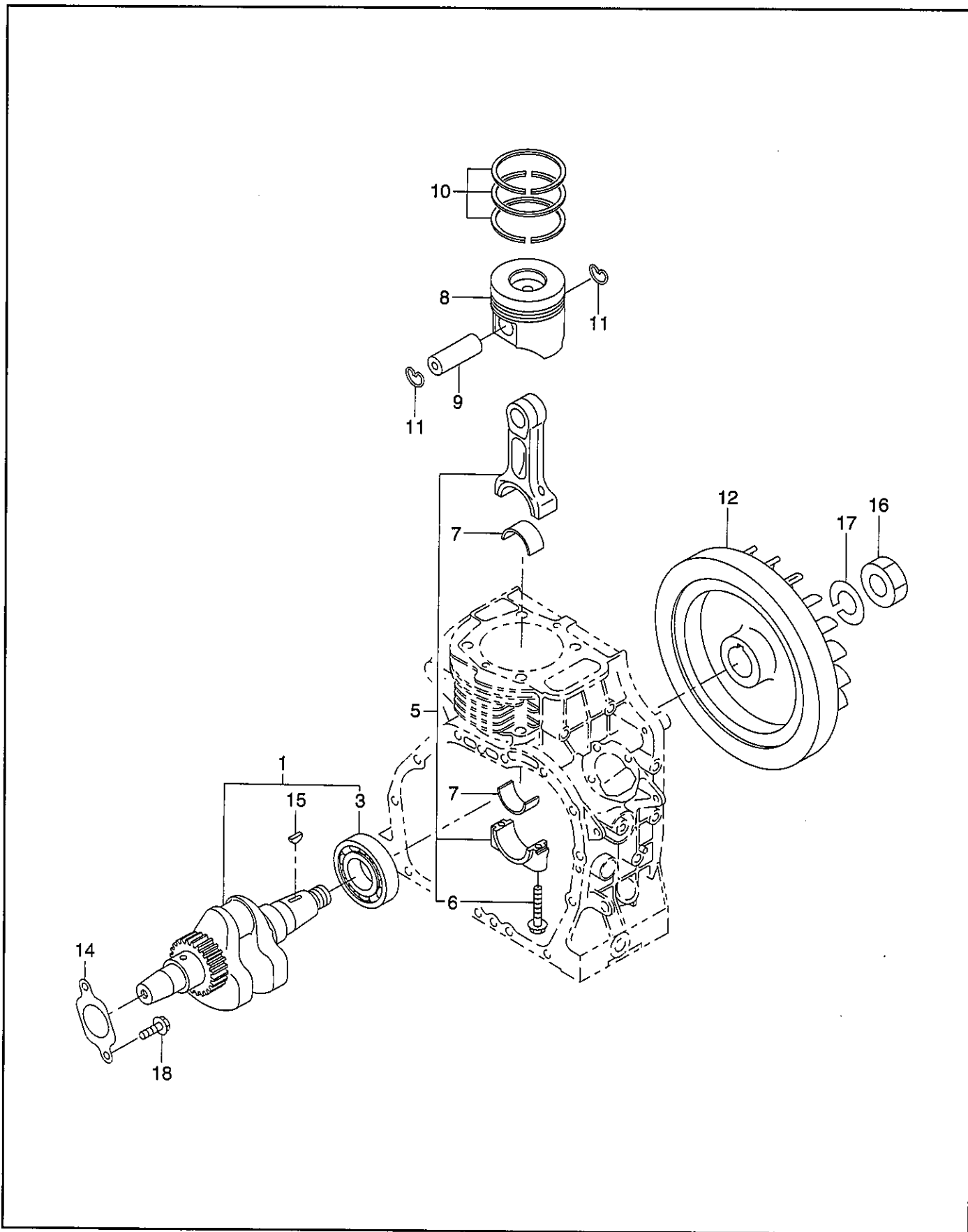


**FIG.5 CYLINDER HEAD GROUP**



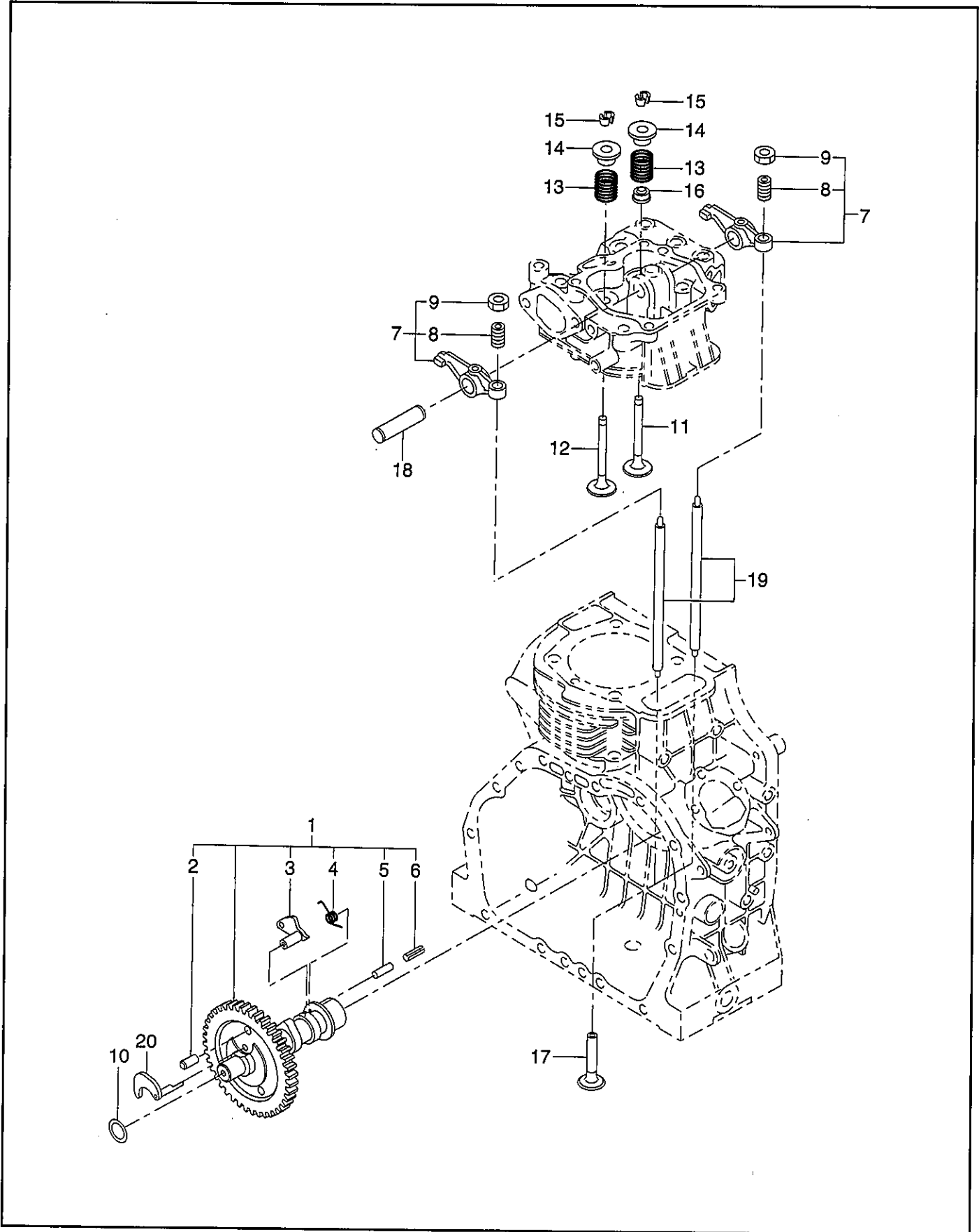


**FIG.6 CRANKSHAFT and PISTON GROUP**





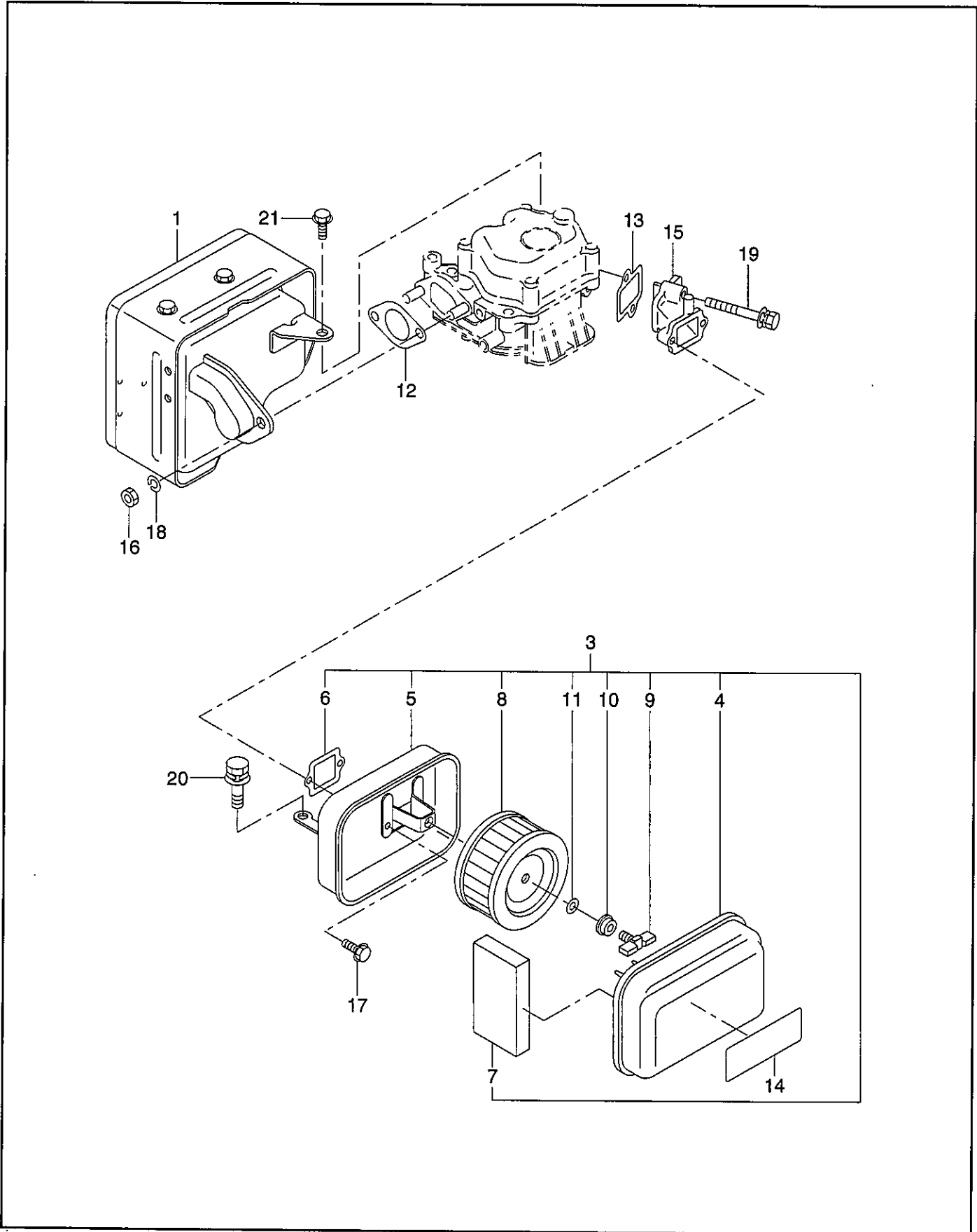
**FIG.7 CAMSHAFT and VALVE ROCKER GROUP**





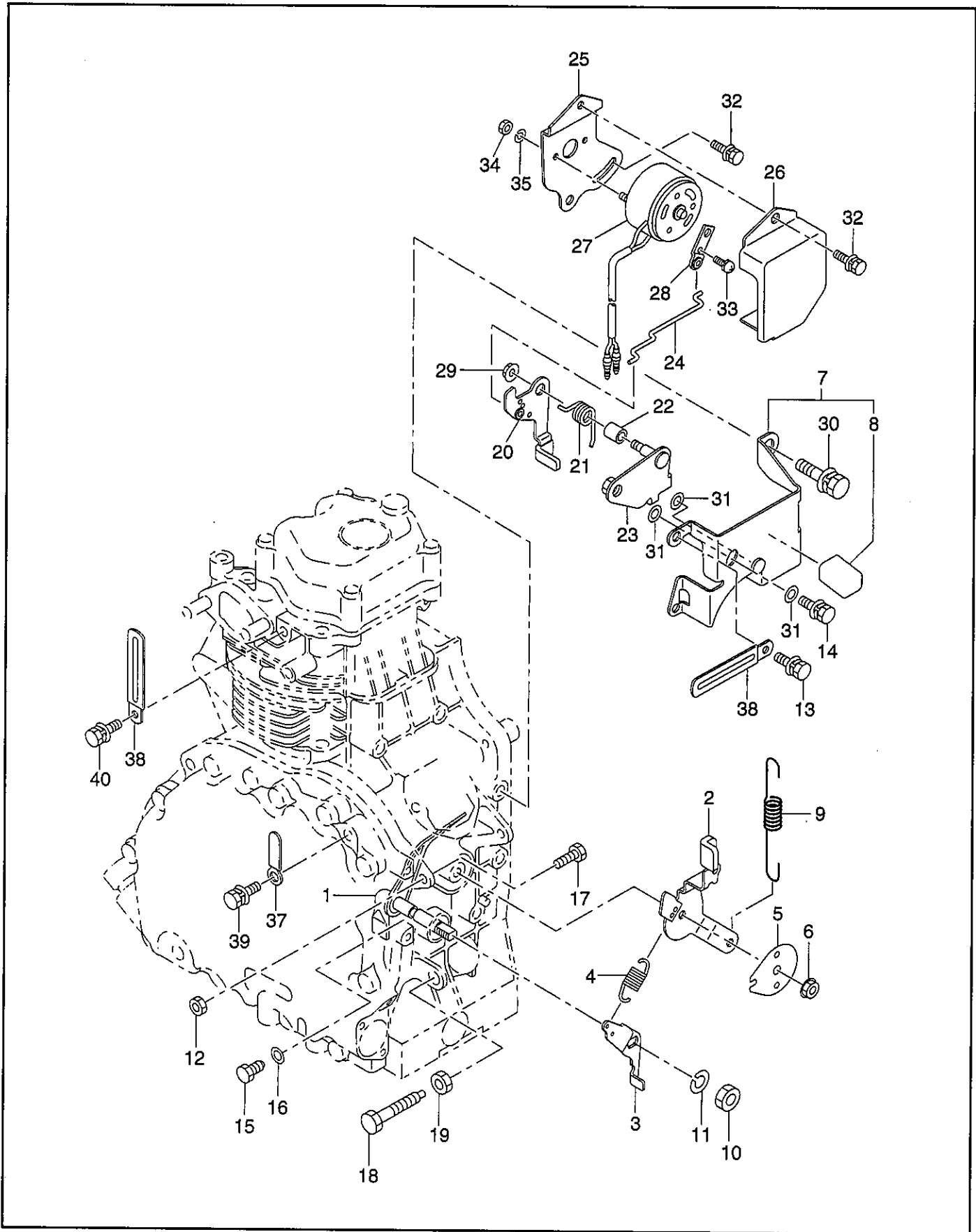


**FIG.8 MUFFLER and AIR CLEANER GROUP**



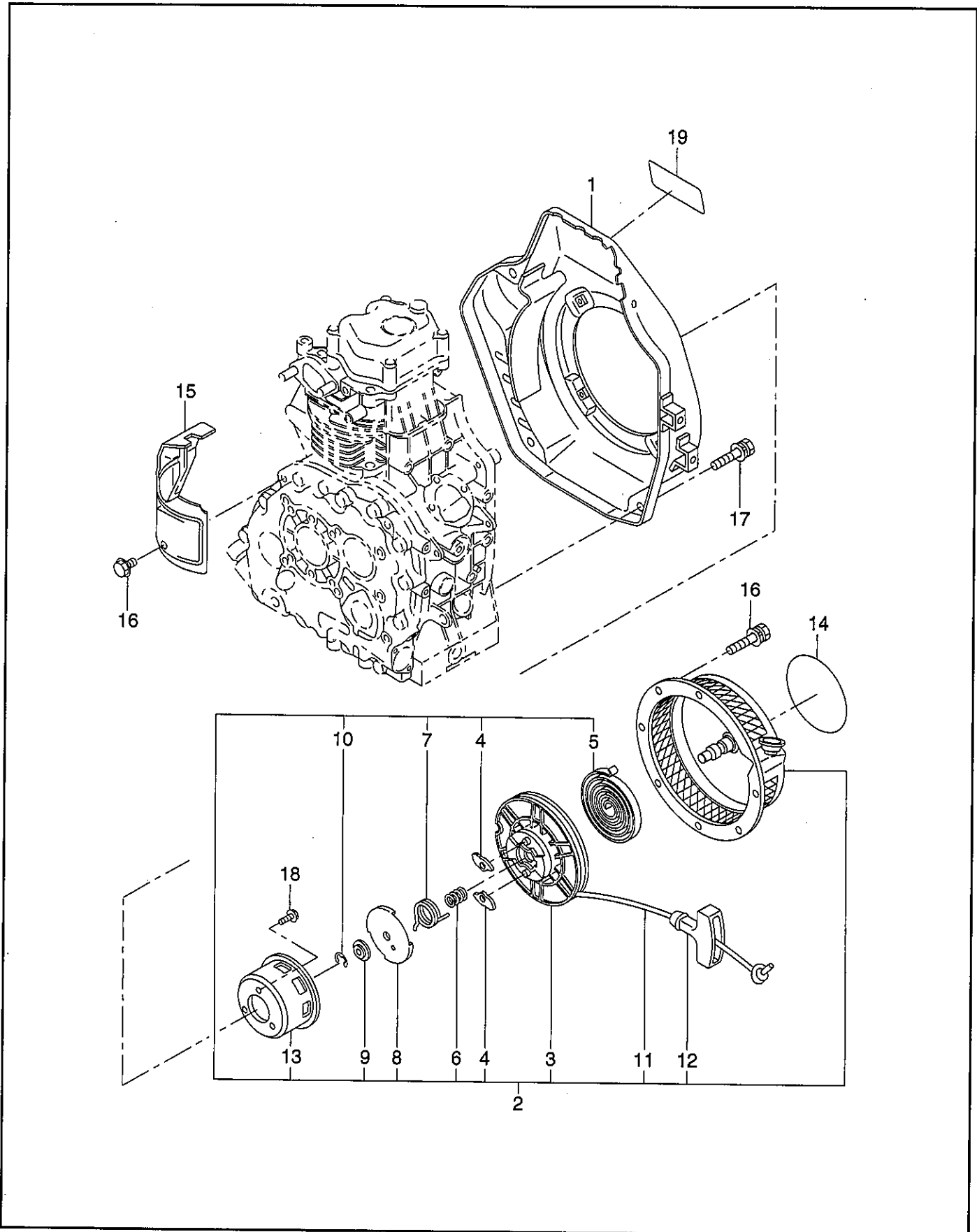


# FIG.9 GOVERNOR OPERATION GROUP



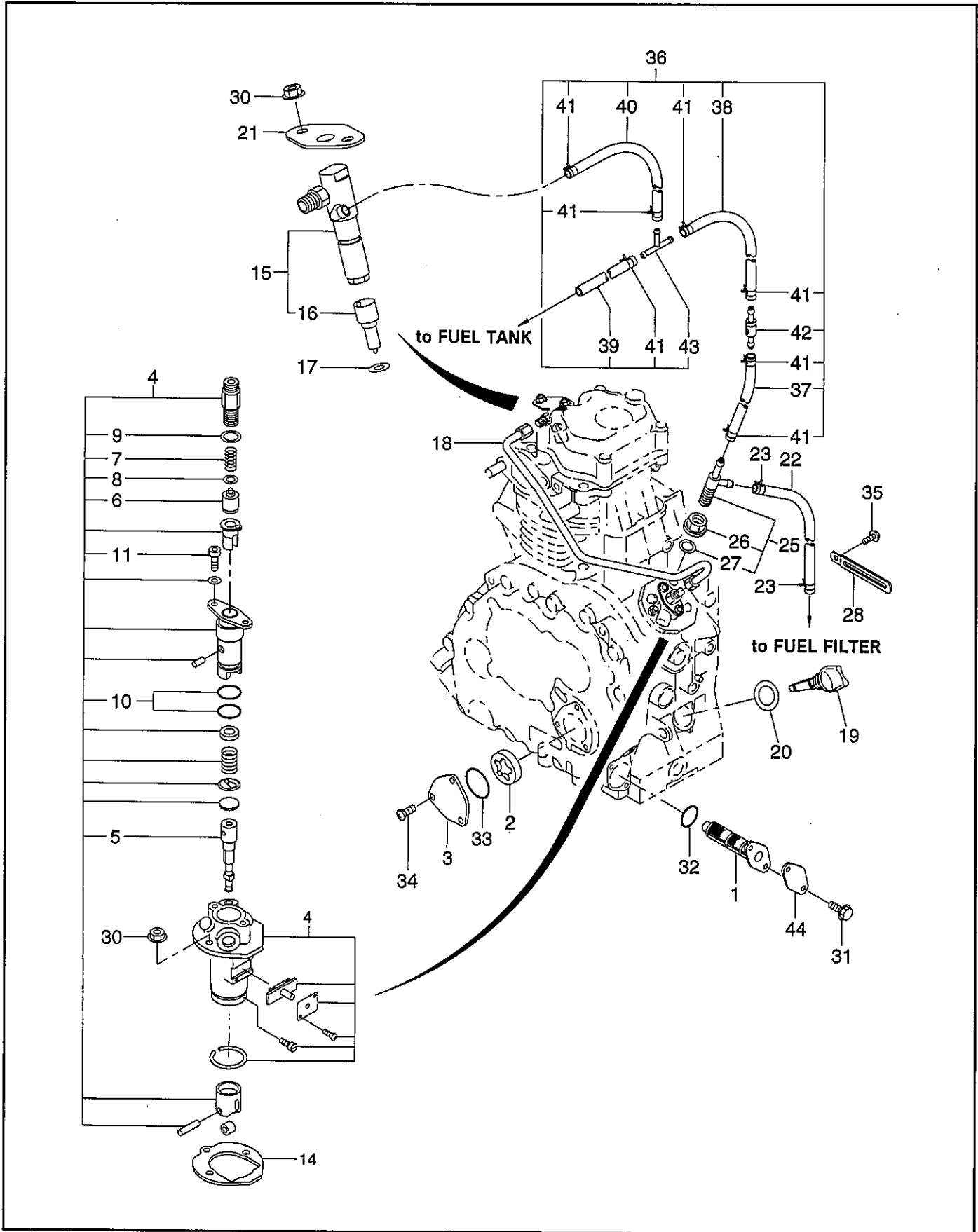


**FIG.10 BLOWER HOUSING and RECOIL STARTER GROUP**





**FIG.11 FUEL SYSTEM GROUP**



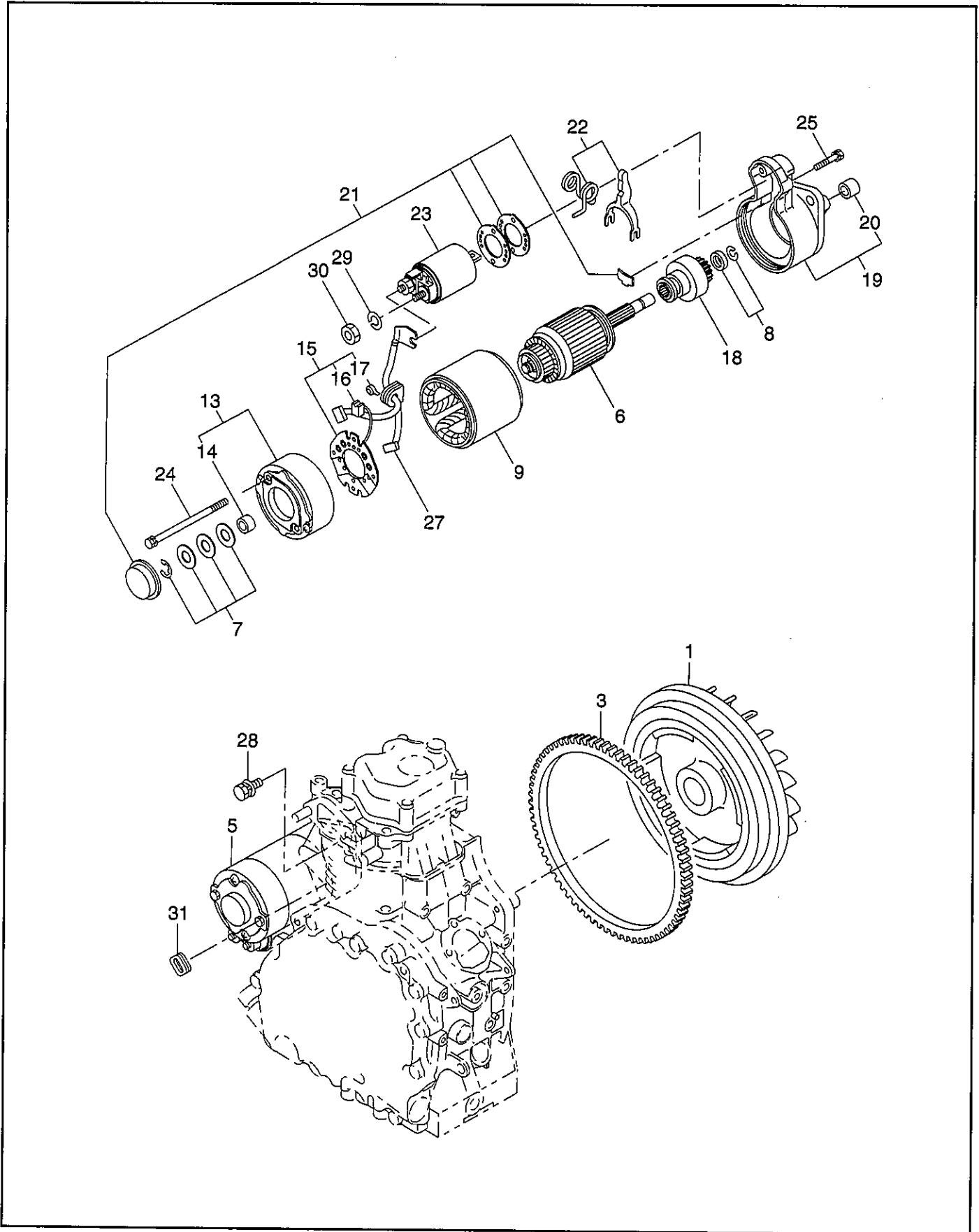


# FIG.11 FUEL SYSTEM GROUP

Interchangeability

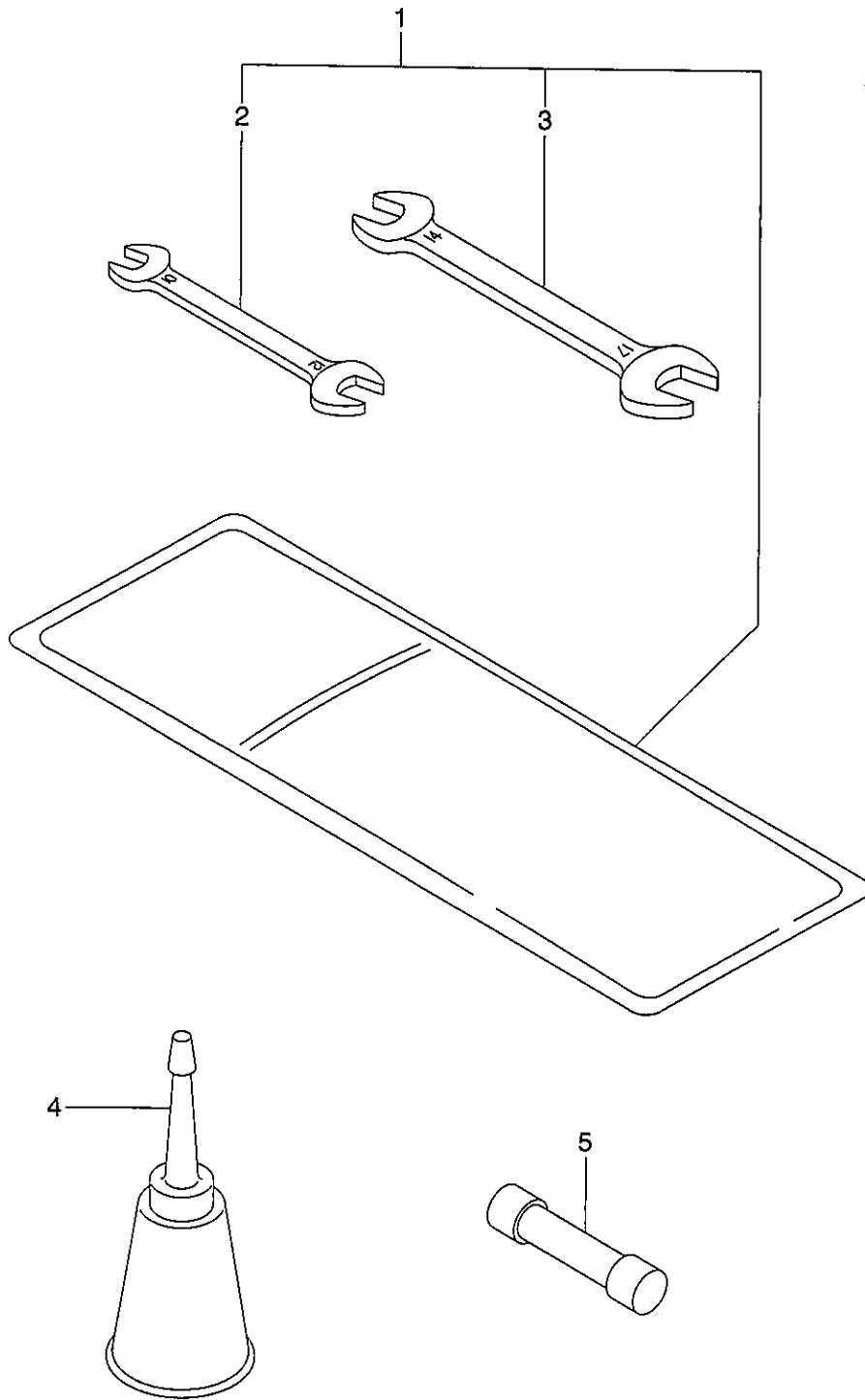
| Ref. No. | Part Number  | Description  | Q'ty | Execution              |
|----------|--------------|--|------|------------------------|
| 1        | 243-64301-00 | OIL FILTER ASS'Y   | 1    |                        |
| 2        | 228-63902-03 | OIL PUMP, outer  | 1    |                        |
| 3        | 243-66020-01 | COVER, oil pump  | 1    |                        |
| *4       | 255-63103-00 | INJECTION PUMP ASS'Y Includes items 5 thru 11                | 1    |                        |
| 5        | 243-63131-08 | PLUNGER ASS'Y  | 1    |                        |
| 6        | 243-63103-08 | DELIVERY VALVE   | 1    |                        |
| 7        | 243-63104-08 | SPRING D.V.  | 1    |                        |
| 8        | 243-63105-08 | GASKET   | 1    |                        |
| 9        | 243-63107-08 | "O" RING   | 1    |                        |
| 10       | 243-63129-08 | "O" RING   | 2    |                        |
| 11       | 243-63130-08 | SCREW  | 2    |                        |
| 14       | 243-65001-03 | GASKET, injection pump (t=0.1)                               | 1    | -select one pipce only |
| 14       | 243-65002-03 | GASKET, injection pump (t=0.2)                               | 1    |                        |
| 14       | 243-65003-03 | GASKET, injection pump (t=0.3)                               | 1    |                        |
| *15      | 243-63202-00 | NOZZLE ASS'Y Includes item 16                                | 1    |                        |
| 16       | 243-63204-08 | NOZZLE   | 1    |                        |
| 17       | 228-65004-03 | GASKET, nozzle   | 1    |                        |
| 18       | 243-63301-21 | INJECTION PIPE, compl.                                       | 1    |                        |
| 19       | 214-63601-13 | OIL GAUGE  | 2    |                        |
| 20       | 021-32000-10 | GASKET   | 2    |                        |
| 21       | 243-66001-01 | BRACKET, nozzle 1  | 1    |                        |
| 22       | 085-10600-00 | RUBBER PIPE ( $\phi 6 \times \phi 12 \times 250\text{mm}$ )  | 1    |                        |
| 23       | 056-11100-20 | HOSE CLAMP   | 2    |                        |
| *25      | 243-66520-10 | T-CONNECTOR ASS'Y Includes items 26, 27                      | 1    |                        |
| 26       | 243-66521-08 | NUT  | 1    |                        |
| 27       | 243-66506-08 | PACKING  | 1    |                        |
| 28       | 150-75201-03 | CLAMP  | 1    |                        |
| 30       | 002-38060-00 | FLANGE NUT   | 4    |                        |
| 31       | 001-14062-00 | BOLT and WASHER ASS'Y  | 2    |                        |
| 32       | 006-26202-03 | "O" RING   | 1    |                        |
| 33       | 006-26103-30 | "O" RING   | 1    |                        |
| 34       | 004-11061-60 | SCREW  | 3    |                        |
| 35       | 001-10061-00 | BOLT and WASHER ASS'Y  | 1    |                        |
| *36      | 255-62606-11 | FUEL PIPE 6, compl. Includes items 37 thru 43                | 1    |                        |
| 37       | 085-14500-00 | RUBBER PIPE ( $\phi 4.5 \times \phi 9 \times 95\text{mm}$ )  | 1    |                        |
| 38       | 085-14500-00 | RUBBER PIPE ( $\phi 4.5 \times \phi 9 \times 180\text{mm}$ ) | 1    |                        |
| 39       | 085-14500-00 | RUBBER PIPE ( $\phi 4.5 \times \phi 9 \times 60\text{mm}$ )  | 1    |                        |
| 40       | 085-14500-00 | RUBBER PIPE ( $\phi 4.5 \times \phi 9 \times 170\text{mm}$ ) | 1    |                        |
| 41       | 056-10800-10 | HOSE CLAMP   | 7    |                        |
| 42       | 228-65032-13 | CHECK VALVE  | 1    |                        |
| 43       | 255-65003-03 | T-CONNECTOR, compl.  | 1    |                        |
| 44       | 255-65005-01 | FILTER PLATE, compl.   | 1    |                        |

**FIG.12 ELECTRICAL EQUIPMENT GROUP**



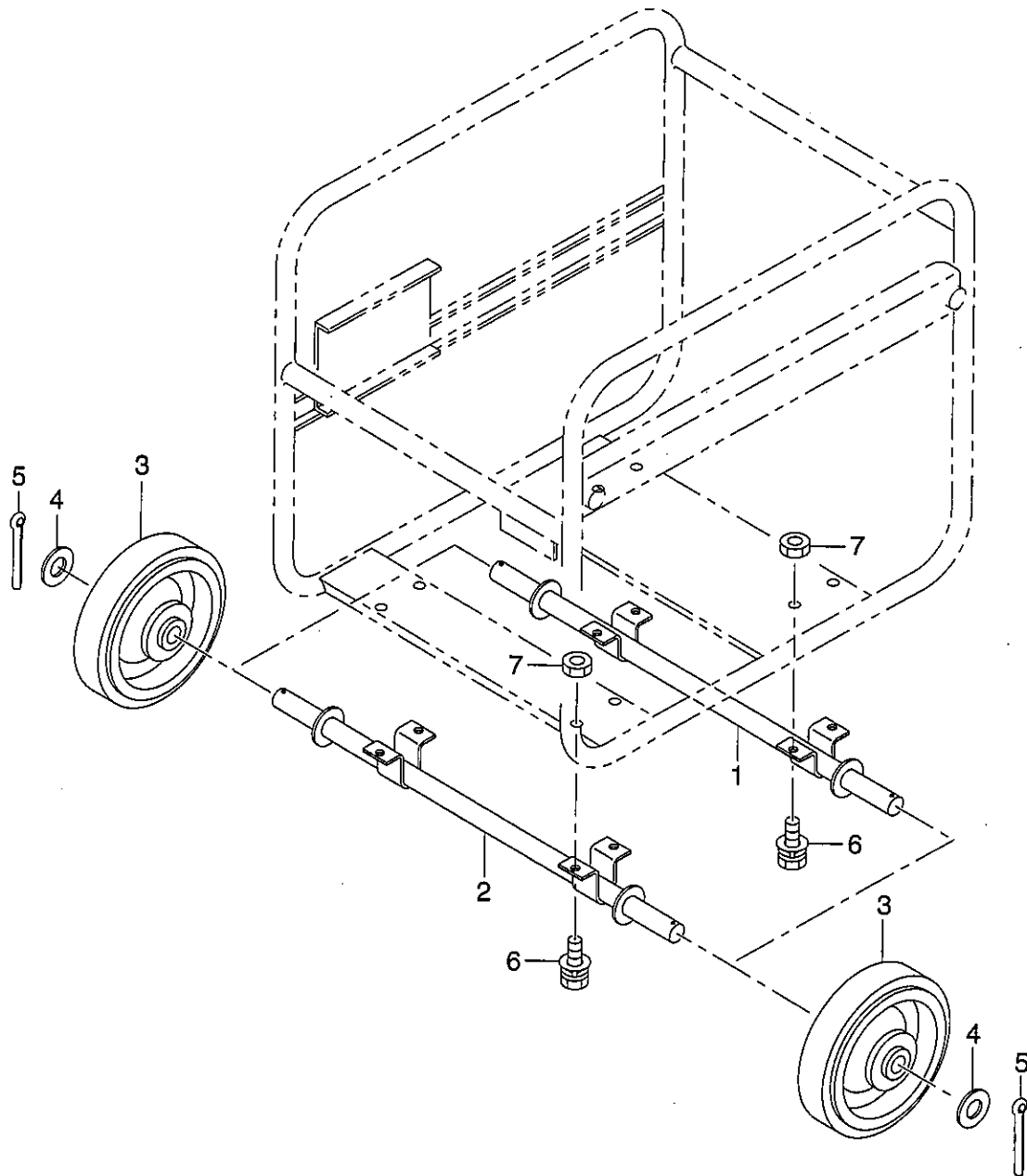


**FIG.13 ACCESSORIES GROUP**





**FIG.14 4-WHEEL KIT GROUP**





## Free Manuals Download Website

<http://myh66.com>

<http://usermanuals.us>

<http://www.somanuals.com>

<http://www.4manuals.cc>

<http://www.manual-lib.com>

<http://www.404manual.com>

<http://www.luxmanual.com>

<http://aubethermostatmanual.com>

Golf course search by state

<http://golfingnear.com>

Email search by domain

<http://emailbydomain.com>

Auto manuals search

<http://auto.somanuals.com>

TV manuals search

<http://tv.somanuals.com>