

**Robin Industrial Engines®**

# **PARTS MANUAL**

**Model**

**PKX301**

**PUMP**

PUB-PP5873

Rev. 07/03

**Robin**  
**SUBARU**

# **Robin America, Inc.**

940 Lively Blvd. • Wood Dale, IL 60191 • Phone: 630-350-8200 • Fax: 630-350-8212  
e-mail: [sales@robinamerica.com](mailto:sales@robinamerica.com) • [www.robinamerica.com](http://www.robinamerica.com)

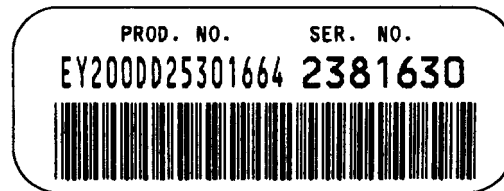
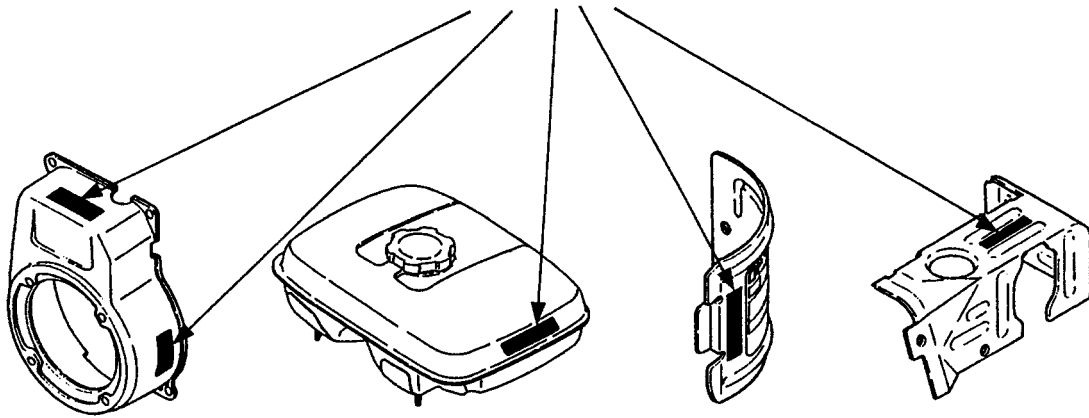
© Copyright 2003 Robin America, Inc.

## HOW TO USE THIS MANUAL

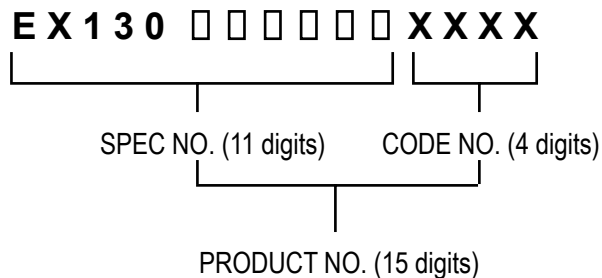
Robin engines are identified by MODEL, SPECIFICATION, and CODE NUMBER. For each model there may be many different versions called specifications. Each specification will be unique in some way. The difference may only be the paint color or it may have a different type of PTO or some other significant difference.

In order to identify the correct service part number, it is important to confirm the specification and code numbers for your engine. The specification and code number together are known as the PRODUCT NUMBER.

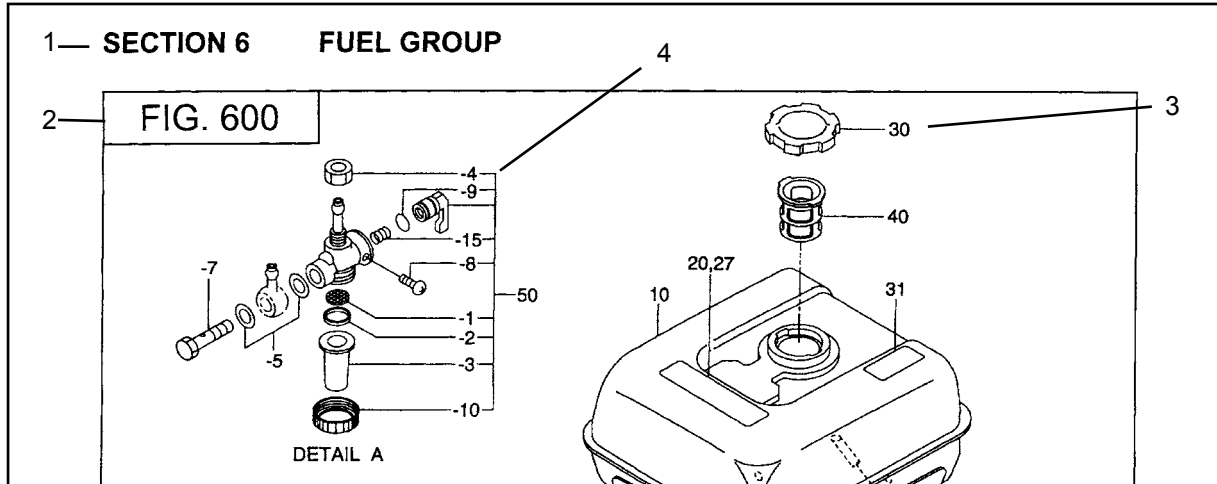
All Robin 4 cycle engines have a Product Number label similar to the label illustrated below.



The Product Number Label has a 15 digit alphanumeric string that consists of the SPECIFICATION (SPEC) number (11 digits) and the CODE number (4 digits). Please note the illustration below:



# MANUAL LAYOUT



| REF. | PART NO.     | DESCRIPTION      | QTY. | REMARKS            | FROM-TO | FIG. |
|------|--------------|------------------|------|--------------------|---------|------|
| 10   | 267-60103-01 | FUEL TANK CP     | 1    | YD, YS TYPE, BLACK |         | 600  |
|      | 267-60101-01 | FUEL TANK CP     | 1    | YELLOW             |         | 600  |
| 27   | 073-20039-00 | LABEL, WARNING   | 1    | YD, YS TYPE        |         | 600  |
| 30   | 043-04300-15 | FUEL TANK CAP CP | 1    |                    |         | 600  |
| 31   | 267-95201-03 | LABEL, EMISSION  | 1    | YD, YS TYPE        |         | 600  |
| 40   | 064-13600-10 | FUEL FILTER      | 1    |                    |         | 600  |
| 50   | 064-20021-01 | FUEL STRAINER AY | 1    |                    |         | 600  |
| -1   | 064-20002-20 | FILTER           | 1    |                    |         | 600  |
| -2   | 064-20002-30 | GASKET           | 1    |                    |         | 600  |
| -3   | 064-20019-10 | CUP              | 1    |                    |         | 600  |

1. SECTION NAME Parts are broadly classified according to their functions. Refer to the Group Index (table of contents) for respective section name.
2. FIG. No. The FIG. number indexes the reference and part numbers to the illustration. Figure numbers that vary only in the tens place (i.e.: 700 and 710) are in a group of the same section (i.e.:Electrical Device Group).
3. REF. No . The Reference number identifies the part illustration with the corresponding part number in the part list.
4. SUBASSEMBLY SUBASSEMBLY parts of part assembly are listed below the assembly part. The subassembly part reference number is indicated by the number led by "-" such as "-1", "-2".
5. PART NUMBER It is the number assigned for sales unit. Use the PART No. when making an order.
6. DESCRIPTION It is designation of the part.
7. QTY. Quantity of each part used for each product.
8. REMARKS This gives a distinctive feature and/or a supplementary comment for the type, the specification, and the part concerned. It also shows part number(s) interchangeable for the part.
9. FROM-TO This section shows the CODE No. to indicate the history of progress in which improved parts have been introduced in the product. The FROM-TO CODE No. helps to identify PART No. being employed in the product concerned. See the examples below:
  - The part is used in the product irrespective of CODE No.
  - 2101- The part is used in the products with CODE No. of 2101 and after this number.
  - 2100 The part is used in the products with CODE No. of 2100 and before this number.

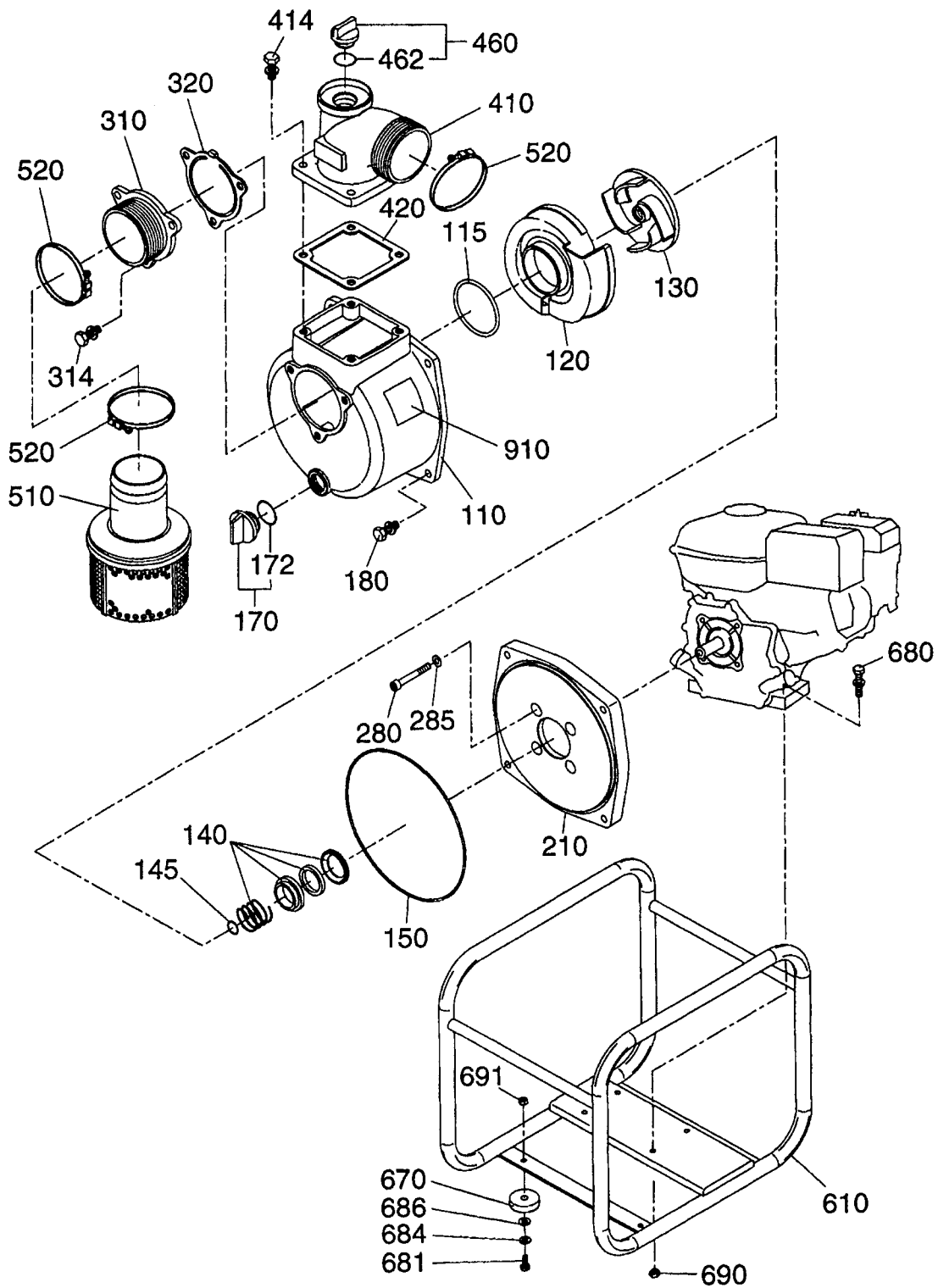
# GROUP INDEX

| Group Name                       | Page |
|----------------------------------|------|
| PUMP GROUP .....                 | 6    |
| CRANKCASE GROUP .....            | 8    |
| CRANKSHAFT GROUP .....           | 10   |
| INTAKE and EXHAUST GROUP .....   | 12   |
| GOVERNOR GROUP .....             | 16   |
| COOLING and STARTING GROUP ..... | 18   |
| FUEL, LUBRICANT GROUP .....      | 20   |
| CARBURETOR GROUP .....           | 22   |
| ELECTRIC DEVICE GROUP .....      | 24   |
| ACCESSORY GROUP .....            | 26   |

| INDEX OF DESCRIPTION SYMBOLS |                     |                    |                   |
|------------------------------|---------------------|--------------------|-------------------|
| SYMBOL                       | DESCRIPTION         | SYMBOL             | DESCRIPTION       |
| AY .....                     | ASSEMBLY            | P= .....           | PITCH (in mm)     |
| CP .....                     | COMPLETE            | P.T.O. (PTO) ..... | POWER TAKE OFF    |
| EX .....                     | EXPORT (from Japan) | REF .....          | REFERENCE         |
| FIG .....                    | FIGURE              | R.H. (RH) .....    | RIGHT HAND SIDE   |
| FR .....                     | FRONT               | RR .....           | REAR              |
| " .....                      | INCH                | STD. ....          | STANDARD          |
| INCL. ....                   | INCLUDE             | SW .....           | SWITCH            |
| ~L .....                     | LITER               | T= .....           | THICKNESS (in mm) |
| L= .....                     | LENGTH (in. mm)     | UN .....           | UNIT              |
| L.H. (LH) .....              | LEFT-HAND SIDE      | U.S. ....          | UNDER SIZE        |
| MECH .....                   | MECHANICAL          | ~V .....           | VOLTAGE           |
| NO (NON) .....               | NONE                | ~W .....           | WATT              |
| OPT .....                    | OPTIONAL            | W/ .....           | WITH              |
| O.S. ....                    | OVER SIZE           | W/O .....          | WITHOUT           |

SECTION 1 PUMP GROUP

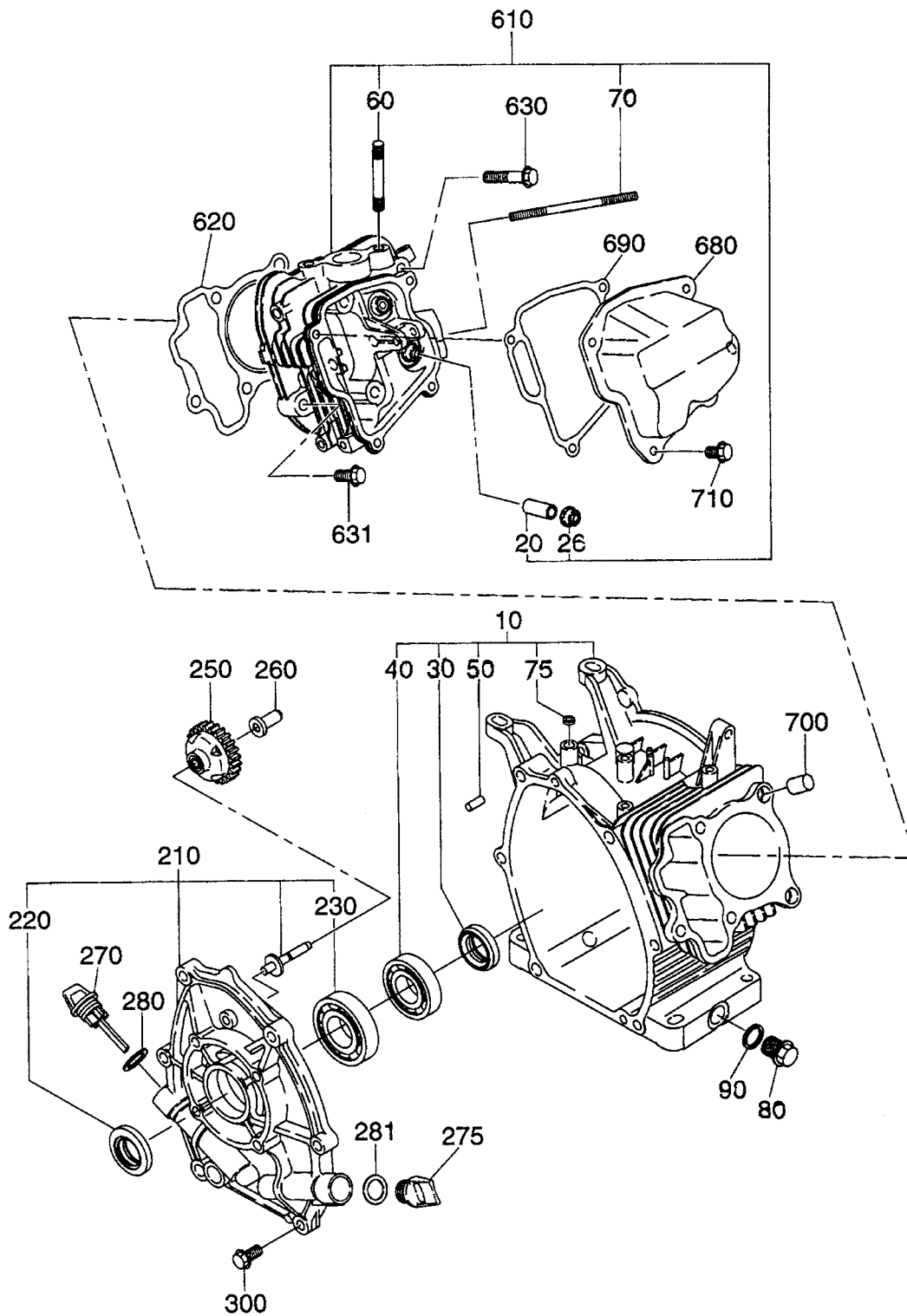
FIG. 100





# SECTION 2 CRANKCASE GROUP

FIG. 200

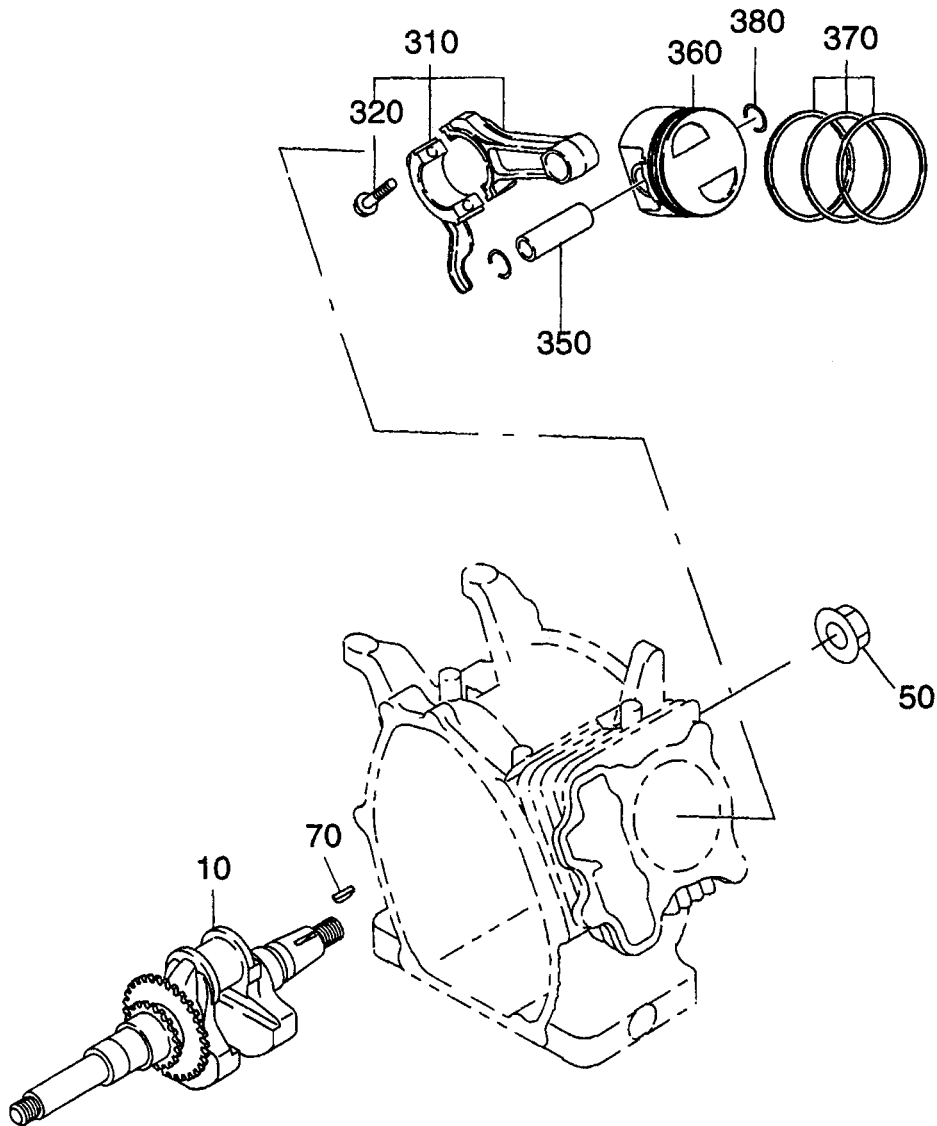






SECTION 3 CRANKSHAFT GROUP

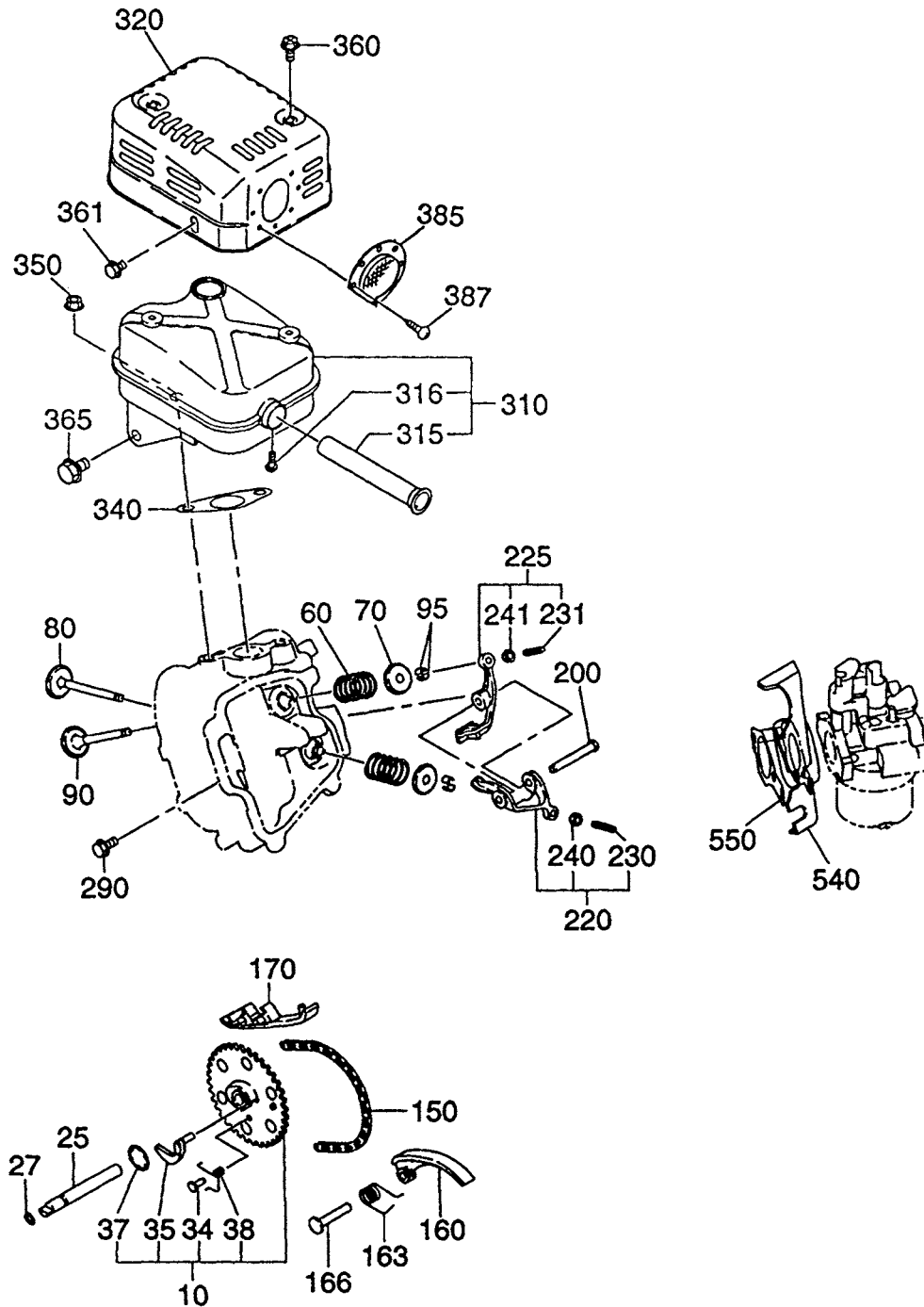
FIG. 300





SECTION 4 INTAKE and EXHAUST GROUP

FIG. 400

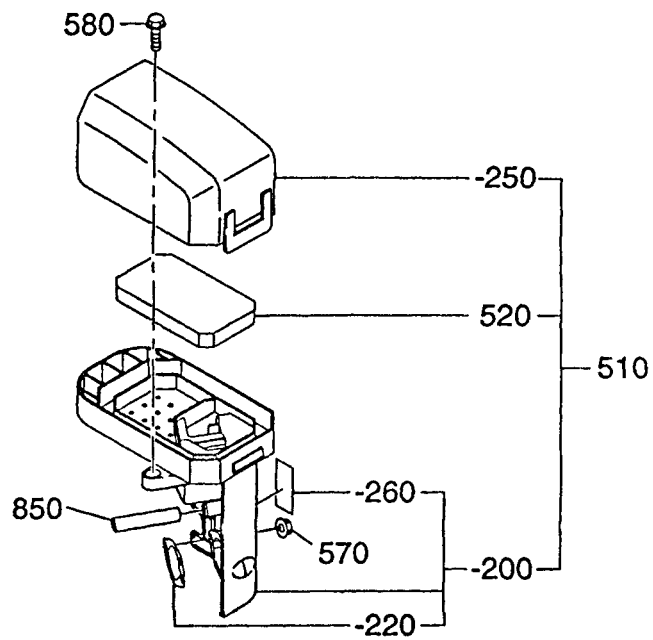


**SECTION 4 INTAKE and EXHAUST GROUP**

| REF. | PART NO.     | DESCRIPTION         | QTY. | REMARKS | FROM-TO   | FIG. |
|------|--------------|---------------------|------|---------|-----------|------|
| 10   | 277-31601-01 | CAMSHAFT            | 1    |         |           | 400  |
| 25   | 277-35101-03 | PIN, CAMSHAFT       | 1    |         |           | 400  |
| 27   | 024-00600-10 | O RING              | 1    |         |           | 400  |
| 34   | 277-38601-03 | PIN, SPRING         | 1    |         |           | 400  |
| 35   | 277-36401-03 | RELEASE LEVER       | 1    |         |           | 400  |
| 37   | 277-36501-03 | CLIP                | 1    |         |           | 400  |
| 38   | 277-38701-03 | RETURN SPRING       | 1    |         |           | 400  |
| 60   | 279-33601-03 | VALVE SPRING        | 2    |         |           | 400  |
| 70   | 269-33701-03 | SPRING RETAINER     | 2    |         |           | 400  |
| 80   | 277-33401-13 | INTAKE VALVE        | 1    |         |           | 400  |
| 90   | 277-33501-13 | EXHAUST VALVE       | 1    |         |           | 400  |
| 95   | 132-10KA0-31 | COLLET VALVE        | 4    |         |           | 400  |
| 150  | 277-35601-01 | TIMING CHAIN        | 1    |         |           | 400  |
| 160  | 277-36911-03 | TENTIONER           | 1    |         |           | 400  |
| 163  | 277-37101-03 | SPRING, TENTIONER   | 1    |         |           | 400  |
| 166  | 277-36902-03 | PIN, TENTIONER      | 1    |         |           | 400  |
| 170  | 277-36913-13 | CHAIN GUIDE         | 1    |         |           | 400  |
| 200  | 277-35001-23 | PIN, ROCKER         | 1    |         | 5692~     | 400  |
|      | 277-35001-13 | PIN, ROCKER         | 1    |         | 5661-5691 | 400  |
|      | 277-35001-03 | PIN, ROCKER         | 1    |         | ~5660     | 400  |
| 220  | 277-36101-00 | ROCKER ARM, INTAKE  | 1    |         |           | 400  |
| 225  | 277-36102-00 | ROCKER ARM, EXHAUST | 1    |         |           | 400  |
| 230  | 014-90500-10 | ADJUST SCREW        | 1    |         |           | 400  |
| 231  | 014-90500-10 | ADJUST SCREW        | 1    |         |           | 400  |
| 240  | 017-00500-20 | NUT                 | 1    |         |           | 400  |
| 241  | 017-00500-20 | NUT                 | 1    |         |           | 400  |
| 290  | 011-00600-20 | FLANGE BOLT         | 1    |         |           | 400  |
| 310  | 277-30111-01 | MUFFLER             | 1    |         |           | 400  |
| 315  | 277-37601-01 | SPARK ARRESTOR      | 1    |         |           | 400  |
| 316  | 015-00400-60 | TAPPING SCREW       | 1    |         |           | 400  |
| 320  | 277-34201-11 | MUFFLER COVER       | 1    |         | 5753~     | 400  |
|      | 277-34201-01 | MUFFLER COVER       | 1    |         | ~5752     | 400  |
| 340  | 277-35201-03 | GASKET, MUFFLER     | 1    |         |           | 400  |
| 350  | 980-20082-80 | FLANGE NUT          | 2    |         |           | 400  |
| 360  | 015-20600-90 | TAPPING BOLT        | 2    |         |           | 400  |
| 361  | 011-00600-10 | FLANGE BOLT         | 1    |         |           | 400  |
| 365  | 011-00801-50 | FLANGE BOLT         | 1    |         |           | 400  |
| 385  | 277-37203-01 | SCREEN CP           | 1    |         |           | 400  |
| 387  | 015-00400-60 | TAPPING SCREW       | 2    |         |           | 400  |
| 540  | 277-32902-H1 | INSULATOR           | 1    |         |           | 400  |
| 550  | 277-35902-H3 | GASKET, INSULATOR   | 1    |         |           | 400  |
|      |              |                     |      |         |           |      |
|      |              |                     |      |         |           |      |
|      |              |                     |      |         |           |      |
|      |              |                     |      |         |           |      |
|      |              |                     |      |         |           |      |
|      |              |                     |      |         |           |      |
|      |              |                     |      |         |           |      |
|      |              |                     |      |         |           |      |
|      |              |                     |      |         |           |      |
|      |              |                     |      |         |           |      |
|      |              |                     |      |         |           |      |
|      |              |                     |      |         |           |      |
|      |              |                     |      |         |           |      |
|      |              |                     |      |         |           |      |
|      |              |                     |      |         |           |      |
|      |              |                     |      |         |           |      |
|      |              |                     |      |         |           |      |
|      |              |                     |      |         |           |      |

SECTION 4 INTAKE and EXHAUST GROUP

FIG. 410

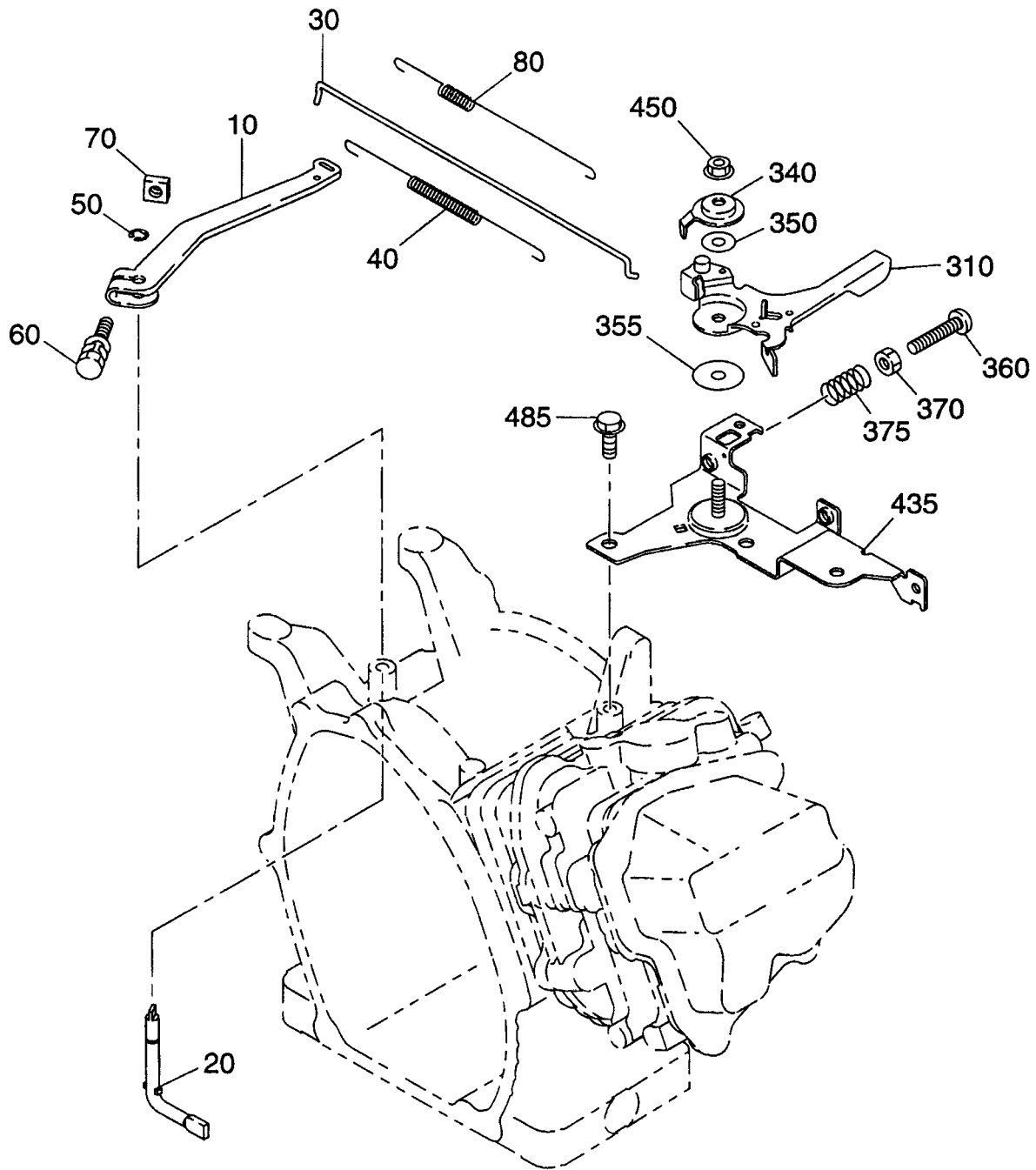


### SECTION 4 INTAKE and EXHAUST GROUP

| REF. | PART NO.     | DESCRIPTION    | QTY. | REMARKS | FROM-TO | FIG. |
|------|--------------|----------------|------|---------|---------|------|
| 510  | 277-32611-00 | AIR CLEANER AY | 1    |         |         | 410  |
| -200 | 277-32601-08 | BASE CP        | 1    |         |         | 410  |
| -220 | 277-32604-08 | PACKING        | 1    |         |         | 410  |
| -250 | 277-32602-08 | COVER CP       | 1    |         |         | 410  |
| -260 | 277-32609-08 | LABEL          | 1    |         |         | 410  |
| 520  | 277-32603-08 | ELEMENT        | 1    |         |         | 410  |
| 570  | 002-38060-00 | FLANGE NUT     | 2    |         |         | 410  |
| 580  | 011-00600-50 | FLANGE BOLT    | 1    |         |         | 410  |
| 850  | 085-10800-00 | RUBBER PIPE    | 1    |         |         | 410  |
|      |              |                |      |         |         |      |
|      |              |                |      |         |         |      |
|      |              |                |      |         |         |      |
|      |              |                |      |         |         |      |
|      |              |                |      |         |         |      |
|      |              |                |      |         |         |      |
|      |              |                |      |         |         |      |
|      |              |                |      |         |         |      |
|      |              |                |      |         |         |      |
|      |              |                |      |         |         |      |
|      |              |                |      |         |         |      |
|      |              |                |      |         |         |      |
|      |              |                |      |         |         |      |
|      |              |                |      |         |         |      |
|      |              |                |      |         |         |      |
|      |              |                |      |         |         |      |
|      |              |                |      |         |         |      |
|      |              |                |      |         |         |      |
|      |              |                |      |         |         |      |
|      |              |                |      |         |         |      |
|      |              |                |      |         |         |      |
|      |              |                |      |         |         |      |
|      |              |                |      |         |         |      |
|      |              |                |      |         |         |      |
|      |              |                |      |         |         |      |
|      |              |                |      |         |         |      |
|      |              |                |      |         |         |      |
|      |              |                |      |         |         |      |
|      |              |                |      |         |         |      |
|      |              |                |      |         |         |      |
|      |              |                |      |         |         |      |
|      |              |                |      |         |         |      |
|      |              |                |      |         |         |      |
|      |              |                |      |         |         |      |
|      |              |                |      |         |         |      |
|      |              |                |      |         |         |      |
|      |              |                |      |         |         |      |
|      |              |                |      |         |         |      |
|      |              |                |      |         |         |      |

SECTION 5 GOVERNOR GROUP

FIG. 500

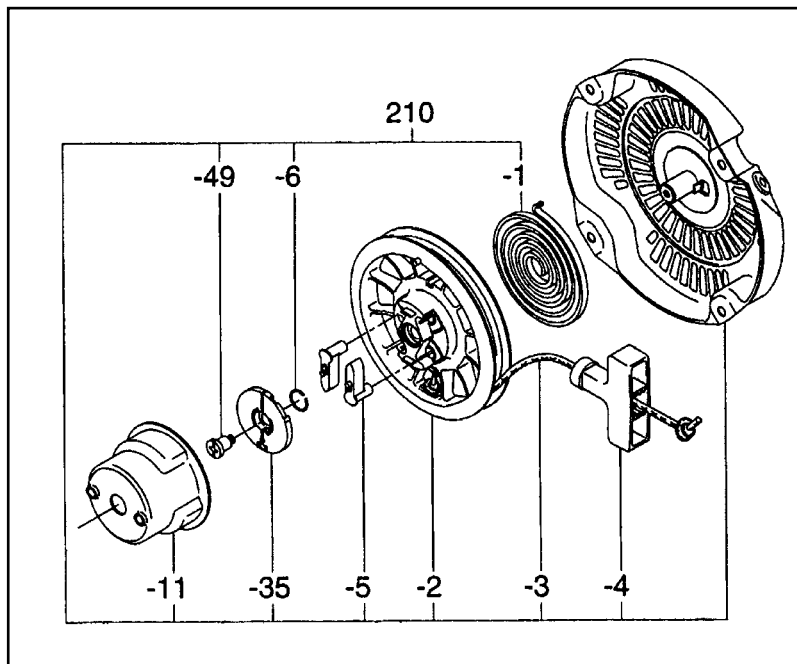
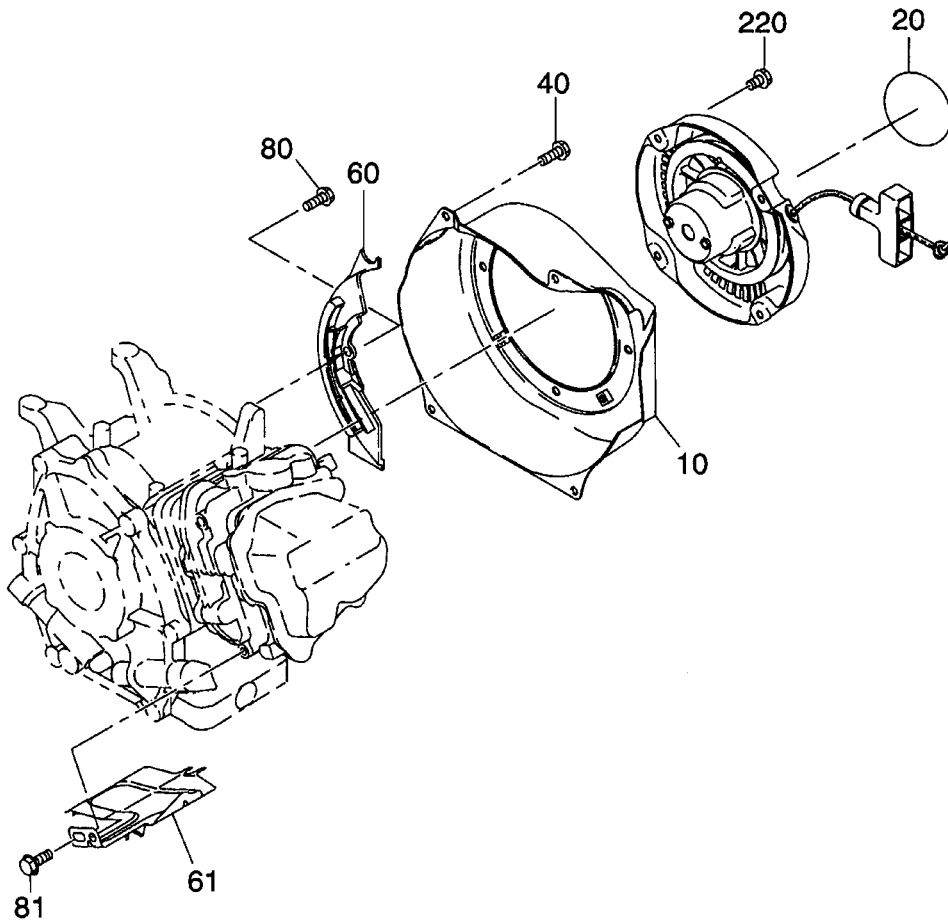






SECTION 6 COOLING and STARTING GROUP

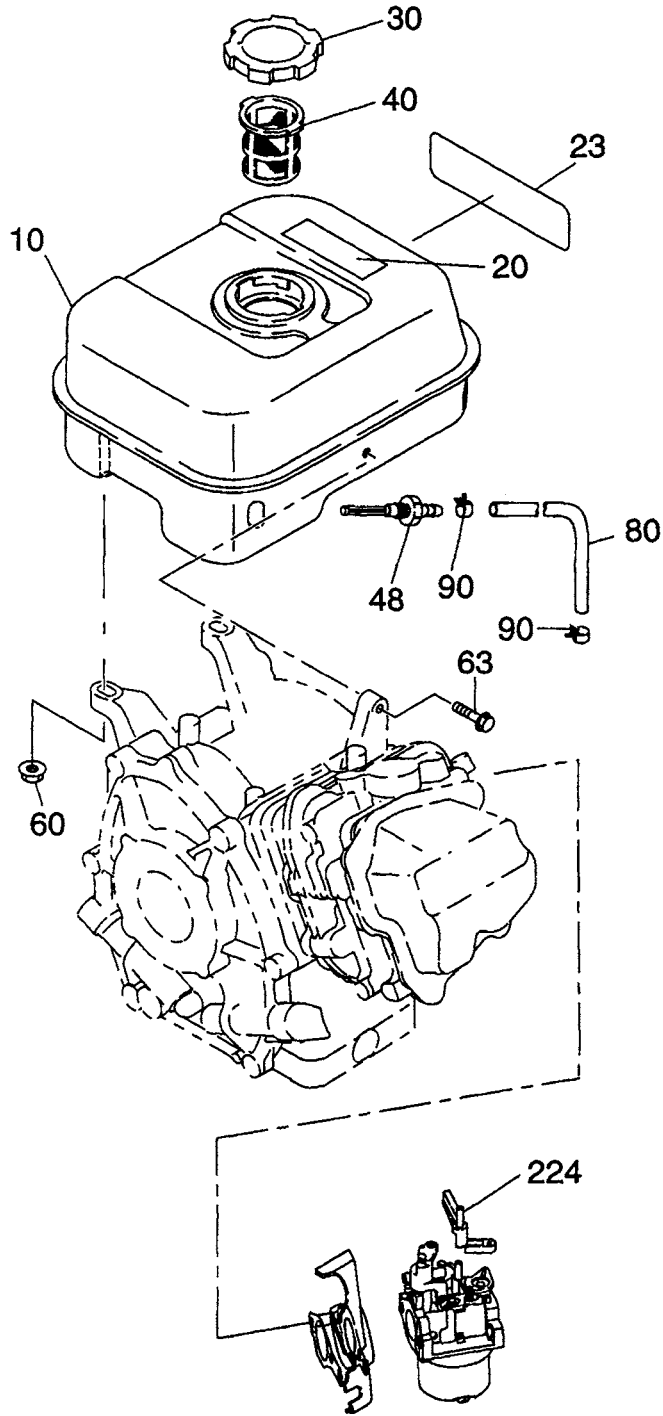
FIG. 600





SECTION 7 FUEL, LUBRICATION GROUP

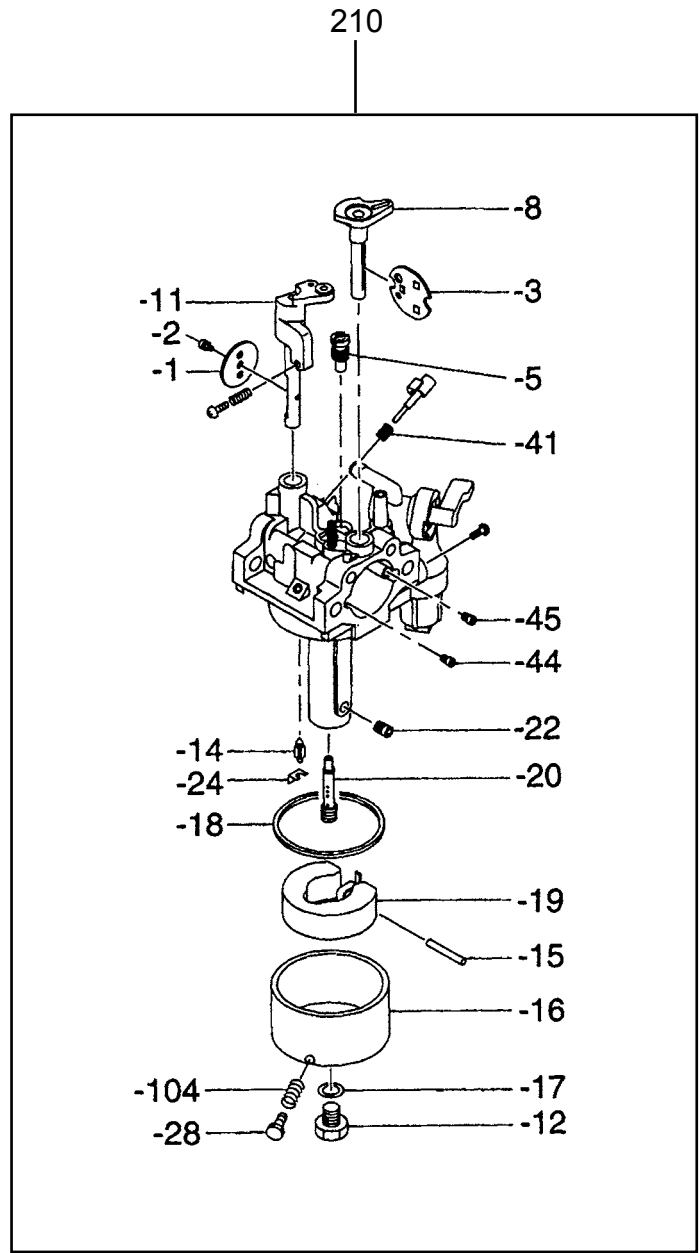
FIG. 700





SECTION 7 FUEL, LUBRICATION GROUP

FIG. 710

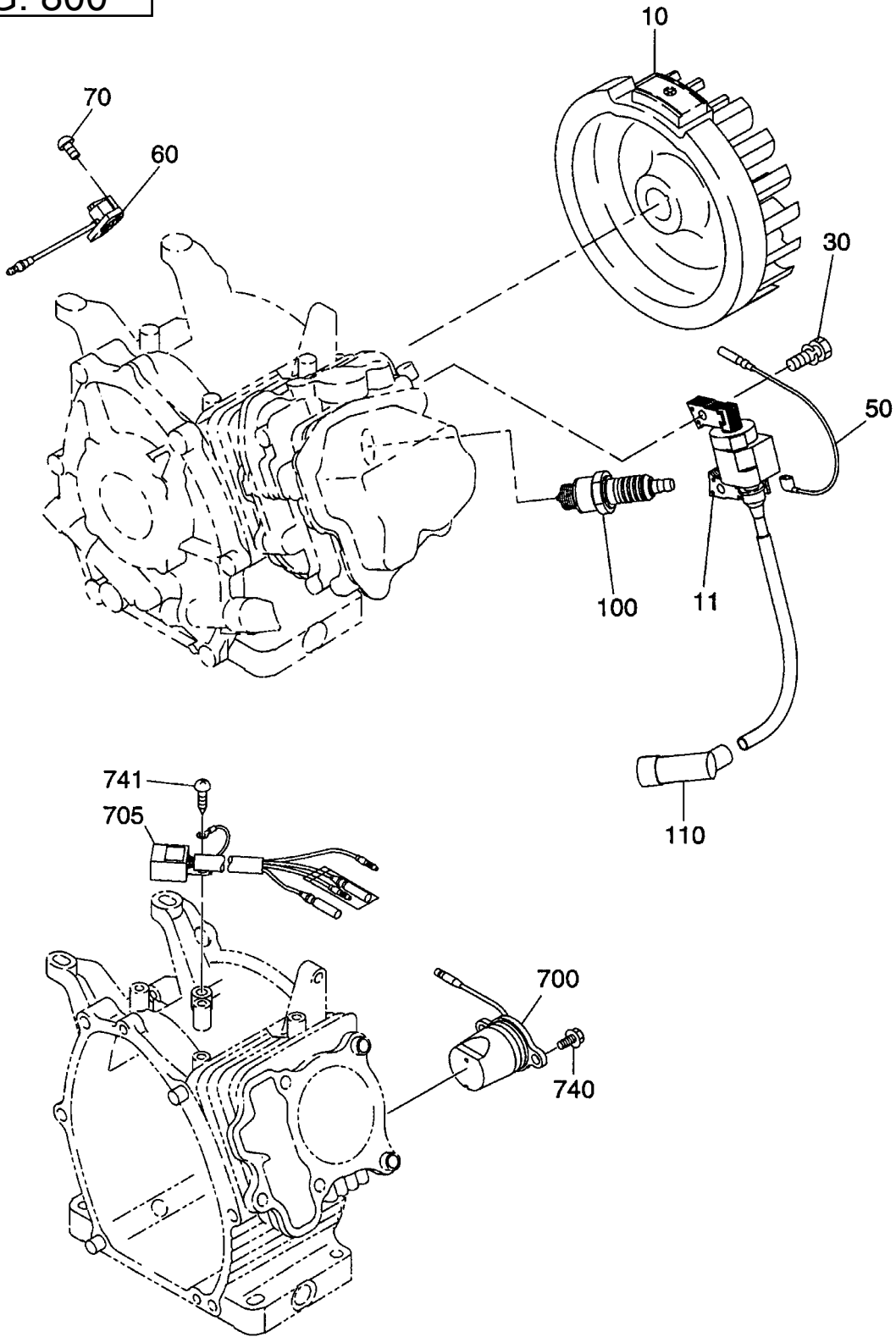


## SECTION 7 FUEL, LUBRICATION GROUP

| REF. | PART NO.     | DESCRIPTION      | QTY. | REMARKS | FROM-TO | FIG. |
|------|--------------|------------------|------|---------|---------|------|
| 210  | 277-62301-10 | CARBURETOR AY    | 1    |         |         | 710  |
| -1   | 277-62535-08 | THROTTLE VALVE   | 1    |         |         | 710  |
| -2   | 209-62351-08 | SCREW            | 1    |         |         | 710  |
| -3   | 277-62525-08 | CHOKE VALVE      | 1    |         |         | 710  |
| -5   | 246-62420-08 | PILOT JET        | 1    | #40     |         | 710  |
| -8   | 277-62520-08 | CHOKE LEVER      | 1    |         |         | 710  |
| -11  | 277-62530-08 | THROTTLE SHAFT   | 1    |         |         | 710  |
| -12  | 227-62451-08 | BOLT             | 1    |         |         | 710  |
| -14  | 277-62500-08 | NEEDLE           | 1    |         |         | 710  |
| -15  | 277-62515-08 | PIN              | 1    |         |         | 710  |
| -16  | 277-62506-08 | FLOAT BODY       | 1    |         |         | 710  |
| -17  | 214-62450-08 | PLACKING         | 1    |         |         | 710  |
| -18  | 214-62540-08 | CHAMMBER PACKING | 1    |         |         | 710  |
| -19  | 226-62506-08 | FLOAT AY         | 1    |         |         | 710  |
| -20  | 277-62440-08 | MAIN NOZZLE      | 1    |         |         | 710  |
| -22  | 277-62402-08 | MAIN JET         | 1    | #81.3   |         | 710  |
| -24  | 226-62701-18 | CLIP             | 1    |         |         | 710  |
| -28  | 277-62360-08 | BOLT             | 1    |         |         | 710  |
| -41  | 230-62446-08 | SPRING           | 1    |         |         | 710  |
| -44  | 248-62410-08 | AIR JET          | 1    |         |         | 710  |
| -45  | 106-62410-08 | AIR JET, PILOT   | 1    |         |         | 710  |
| -104 | 236-62541-08 | PACKING          | 1    |         |         | 710  |
|      |              |                  |      |         |         |      |
|      |              |                  |      |         |         |      |
|      |              |                  |      |         |         |      |
|      |              |                  |      |         |         |      |
|      |              |                  |      |         |         |      |
|      |              |                  |      |         |         |      |
|      |              |                  |      |         |         |      |
|      |              |                  |      |         |         |      |
|      |              |                  |      |         |         |      |
|      |              |                  |      |         |         |      |
|      |              |                  |      |         |         |      |
|      |              |                  |      |         |         |      |
|      |              |                  |      |         |         |      |
|      |              |                  |      |         |         |      |
|      |              |                  |      |         |         |      |
|      |              |                  |      |         |         |      |
|      |              |                  |      |         |         |      |
|      |              |                  |      |         |         |      |
|      |              |                  |      |         |         |      |
|      |              |                  |      |         |         |      |
|      |              |                  |      |         |         |      |
|      |              |                  |      |         |         |      |
|      |              |                  |      |         |         |      |
|      |              |                  |      |         |         |      |
|      |              |                  |      |         |         |      |
|      |              |                  |      |         |         |      |

SECTION 8 ELECTRIC DEVICE GROUP

FIG. 800

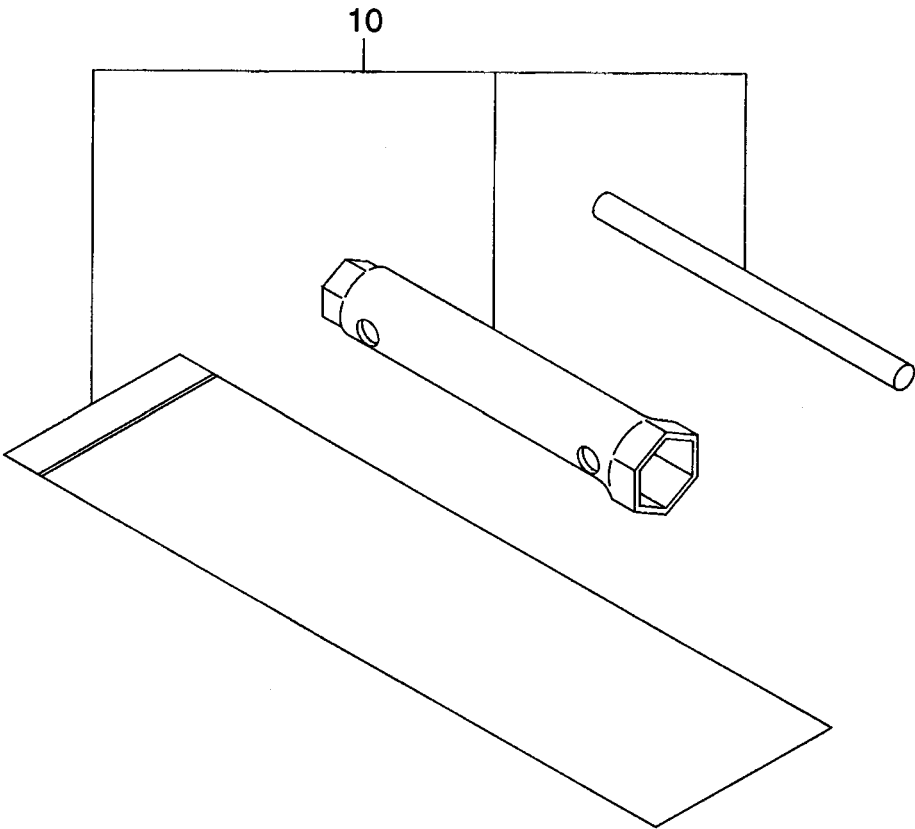






SECTION 9    ACCESSORY GROUP

FIG. 900





PRINTED IN THE USA

## Free Manuals Download Website

<http://myh66.com>

<http://usermanuals.us>

<http://www.somanuals.com>

<http://www.4manuals.cc>

<http://www.manual-lib.com>

<http://www.404manual.com>

<http://www.luxmanual.com>

<http://aubethermostatmanual.com>

Golf course search by state

<http://golfingnear.com>

Email search by domain

<http://emailbydomain.com>

Auto manuals search

<http://auto.somanuals.com>

TV manuals search

<http://tv.somanuals.com>