

Owner's Manual  
for

**Sunlawn™**



***Manual Reel Mower***

Model LMM

(Series 35 and 40)

# Table of Contents

Illustrations .....	1
Welcome .....	3
Warranty .....	3
Use of This Product .....	3
Assembly .....	4
Assemble Handle Section .....	4
Adjust Cutting Height .....	4
Operations.....	4
Inspect Mowing Area .....	4
Normal Mowing.....	5
Mowing Using Grass Catcher.....	5
Mowing: General Information .....	5
1/3 Rule .....	5
Maintenance.....	6
Cleaning .....	6
General Maintenance.....	6
Seasonal Maintenance .....	6
Re-adjust Blade Clearance .....	6
Storage .....	7
Technical Data .....	8
Parts List .....	9



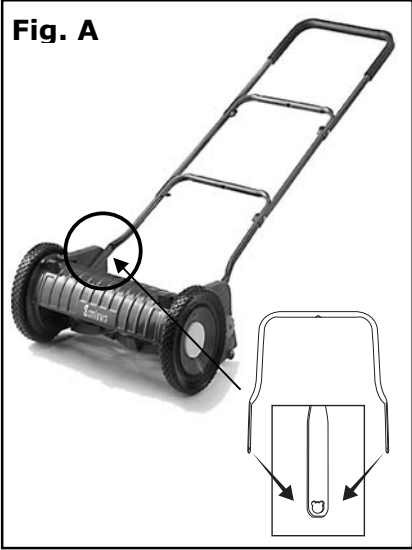
Sunlawn, Inc.  
325 Garfield Street  
Fort Collins, CO 80524  
Tel: 1-800-282-8850  
FAX: 970-493-5202

For service inquiries, parts replacement,  
and maintenance tips, see

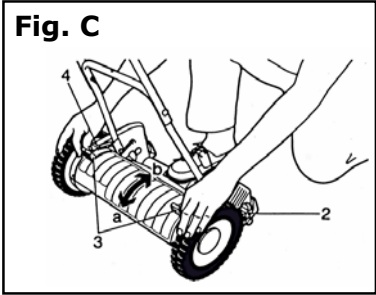
[www.sunlawn.com](http://www.sunlawn.com)

© 2006 by Sunlawn, Inc

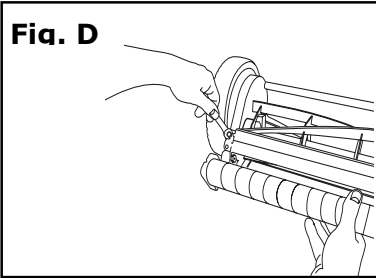
**Fig. A**



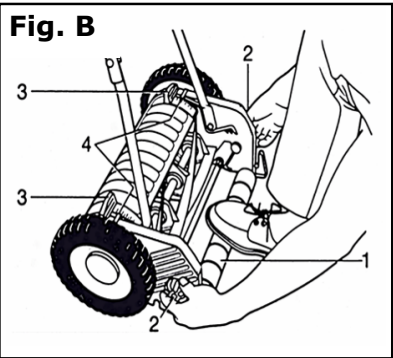
**Fig. C**



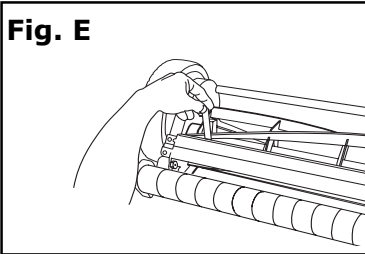
**Fig. D**

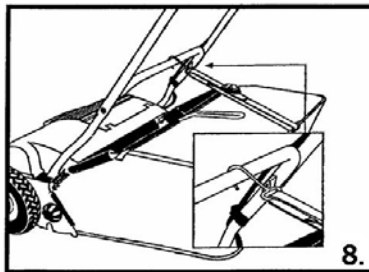
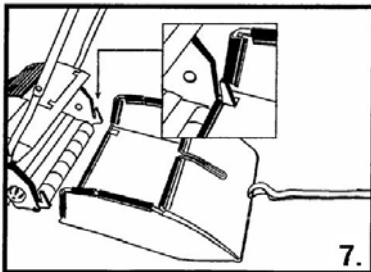
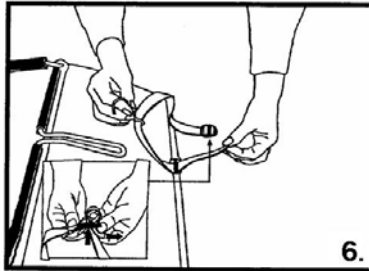
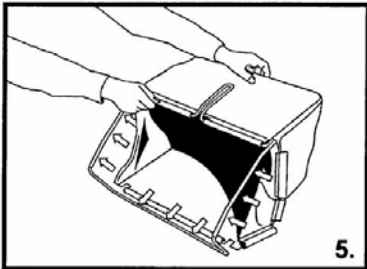
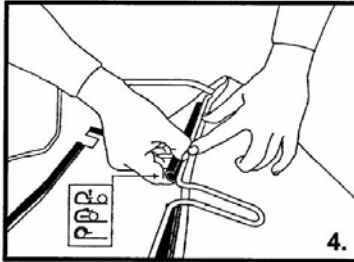
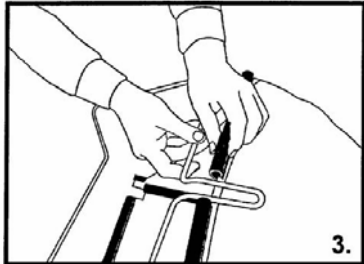
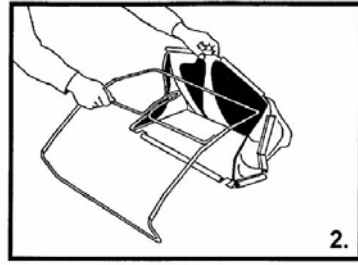
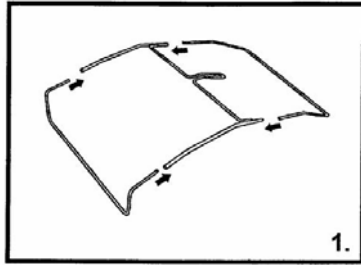


**Fig. B**



**Fig. E**





## WELCOME

Congratulations on your purchase of a Sunlawn mower. This and our other Sunlawn products originate from our commitment to conscientious gardening solutions. Please use this manual as a reference.

## WARRANTY

Sunlawn, Inc. (the Manufacturer) guarantees this product for private use for a period of 2 years from the date of purchase. This guarantee applies to all serious defects of the product which can be proven to have been caused by faulty materials or workmanship. The Manufacturer has the option of supplying a replacement of the product in perfect working order or repairing the product free of charge at an authorized facility, provided that the following conditions are fulfilled:

- The appliance has been handled correctly and in accordance with the instructions in the Owner's Manual.
- Neither the buyer nor a third party has attempted to repair the product.

This guarantee is void if replacement parts or accessories are used other than those approved by the Manufacturer.

The product, accompanied by a copy of the original receipt, must be delivered, prepaid, to a service center authorized by the Manufacturer.

This Manufacturer's guarantee shall not affect any guarantee claims against the dealer or seller of the product.

## USE OF THIS PRODUCT

This mower is designed for use on private gardens around the house for cutting and care of lawns. It is not designed for commercial use or for use in public facilities, parks, sporting grounds, roads, or in agriculture or forestry areas.

This mower is for cutting lawns only. It must not be used to trim hedges, bushes or shrubs, for cutting or pruning, or for any mowing where both wheels and the roller are not fully supporting the mower.

## ASSEMBLY

### ASSEMBLE THE HANDLE SECTIONS (FIG. A)

Fit the lower section of the handle so that the holes are over the handle posts on the mower. Then rock the handle to align the locking tabs and allow the handle section to fit into place.

Continue assembly of the middle and top sections of the handle using the handle bolts and wing nuts.

### ADJUSTING THE CUTTING HEIGHT (FIG. B, C)

The cutting height of the LMM may be adjusted from approximately 10 mm (.4 inches) up to approximately 55 mm (2.1 inches). Actual height may vary according to the height of the turf. Adjust the mower to the desired height as follows:

- Position the lawn mower on solid, level ground. Stand behind the lawn mower so that you can put a foot on the roller (1) (Fig. B). Loosen both sets of screws (2). Now you can adjust the desired cutting height with both hands using the adjusting handle (3) (Fig. C).
- Make sure the cutting height markers (4) indicate the same cutting height on the scales on both sides. Now the two set-screws (2) should be tightened again.

## OPERATION

### INSPECT THE MOWING AREA

1. Before beginning to mow, remove any foreign objects, such as stones, branches, or toys, from the area.
2. Continue to check for such obstacles during mowing.



#### **WARNING**

- **Check within the blade area for any foreign objects and remove them.**
- **Do not operate the mower on areas other than turf.**

## NORMAL MOWING

To obtain a clean cut, push the mower in straight lines (passes) at a deliberate walking pace. Overlap the passes to even the cut and to avoid any uncut strips. Mower works best in dry grass. Wet grass causes an uneven cut.

**MOWING USING THE GRASS CATCHER (Optional Accessory)** See illustrations at beginning of manual: steps 1-8.

The grass catcher collects the clippings as it mows.

- The grass catcher attaches at the grass catcher hooks located on either side of the roller bar. The strap hooks onto the catcher and hooks onto the lower rung of the handle.

Mow using the same procedure as for normal mowing

## MOWING: GENERAL INFORMATION

### THE 1/3 RULE

This is the key to enjoyable mowing and a healthy lawn.

1. The lawn should be mowed regularly, at least once a week during the growing season.
2. Be guided by observing the lawn and taking care not to remove more than 1/3 of the total height of the turf at any mowing.
3. Following this rule will stimulate the turf's root growth, maintain its health, and encourage its natural ability to crowd out unwanted weeds.

If the lawn has become too high (over 9 cm or 3.5 inches in height) then it is best to set the mower to the highest setting to mow. After mowing, reset down to the normal level and mow again within a day or two.

Removing too much of the turf's height, especially in the heat of summer, can cause root shock and weaken the lawn; bringing down the height by successive mowings over two or more days can avoid this damage and maintain the health of the turf.

If the lawn is overgrown (to higher than 10 cm – 4 inches) it may be advisable to use a brush cutter to remove the excess turf mass before resuming mowing at normal heights.

## MAINTENANCE

### CLEANING

After using the mower, clean with a moist cloth. Spray the cylinder and cutting bar with silicon spray lube.

### GENERAL MAINTENANCE

Regularly check to insure that all bolts, nuts, and screws are tight and that the mower is in good working order. Worn out and damaged parts should be replaced.

The blades, if properly cared for, will mow for years before requiring sharpening. Sharpening can only be done by a professional **using a cylinder grinder and proper techniques.**

### SEASONAL MAINTENANCE

#### Readjusting the blade clearance (Fig. D, E)

The blades are optimally adjusted from the factory. However, annually, or after using the mower for a long period and the cut is not clean, the blades need readjusting. The procedure is as follows:

1. Turn the mower over to expose the cutting bar on the bottom of the mower.
2. Using a 10mm open end wrench, tighten the hex bolt approximately 1/4 turn at one end of the cutting bar until the cutting bar and cylinder come into contact. Spin the blade cylinder by hand and back off the bolt approximately 1/8 turn or until the cutting bar and cylinder are no longer in contact.
3. Make the same adjustment at the other end of the cutting bar.

4. Now check the adjustment using the small 0.05mm/0.002 inch gauge (silver strip) supplied with the LMM (or any 0.05mm/0.002 inch feeler gauge). If the gauge is held by the cylinder blades but the cylinder and cutting bar are not touching then the adjustment is correct.

#### **STORAGE**

1. Store the LMM in a cool, dry place.
2. The mower should be stored out of the reach of children.



#### **WARNING**

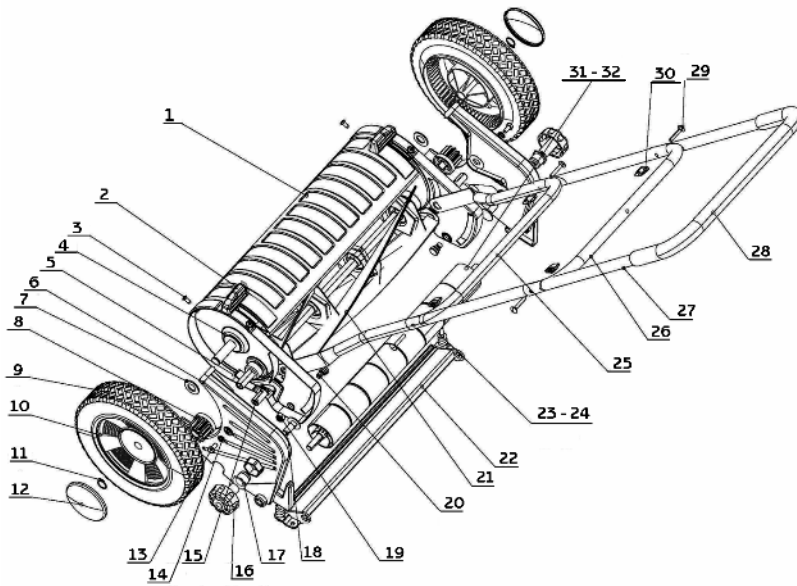
**Blades are sharp! Be careful of injury — handle the blades carefully to avoid cutting yourself. Wear appropriate gloves or hand protection.**



**TECHNICAL DATA****Mower**

Weight	LMM-40	8.8kg (19.3 lb)
	LMM-35	8.1kg (17.7 lb)
Cutting swath	LMM 40	40 cm (16 inches)
	LMM 35	35 cm (14 inches)
Cutting height	10 – 55 mm (.4 – 2.2 inches)	
Wheel diameter	22.8 cm (9 inch)	
Blades	Precision five-blade contact-free cutting system. Flame hardened, bearing-mounted	

# PARTS LIST



1. Top Cover
2. Height Adjusting Tabs
3. Cover Screws
4. Wheel Axle
5. Manual Driver Pawl
6. Cowl (R&L)
7. Spacer
8. Pinion Gear (R&L)
9. Wheel
10. Rim
11. C-clip
12. Hubcap
13. Handle Post Bolt
14. Handle Post Washer
15. Handle Post
16. Height Adjustment Knobs
17. Adjustment Knob Spacer
18. Adjustment Knob Bolt
19. Grass Catcher Hooks
20. Compression Nut
21. Compression Bolt
22. Reel Cylinder
23. Cutting Bar (Bed Knife)
24. Cutting Bar Springs
25. Cutting Bar Adjustment Bolts
26. Lower Handle Section
27. Middle Handle Section
28. Top Handle Section
29. Foam Handle Grip
30. Handle Wing Nuts and Bolts
31. Roller Bar
32. Rollers



## Free Manuals Download Website

<http://myh66.com>

<http://usermanuals.us>

<http://www.somanuals.com>

<http://www.4manuals.cc>

<http://www.manual-lib.com>

<http://www.404manual.com>

<http://www.luxmanual.com>

<http://aubethermostatmanual.com>

Golf course search by state

<http://golfingnear.com>

Email search by domain

<http://emailbydomain.com>

Auto manuals search

<http://auto.somanuals.com>

TV manuals search

<http://tv.somanuals.com>