

# SunBriteTV Deck/Planter Pole and Wall Mount Installation Instructions

Part No. SB-DP2332X

To Accommodate SunBriteTV 22-, 23- and 32-inch TVs

**DISCLAIMER:** SunBriteTV LLC intends to make this manual accurate and complete. However, we make no claim that the information contained herein covers all details, conditions or variations, nor does it provide for every possible contingency in connection with the installation or use of this product. The information contained in this document is subject to change without notice or obligation of any kind. SunBriteTV makes no representation of warranty, expressed or implied regarding the information contained herein. SunBriteTV assumes no responsibility for accuracy, completeness or sufficiency of the information contained in this document.

**WARNING: Do not install TV within 5 feet of water!**

## 1 TV Placement Guidelines (Figure 1):

SunBriteTV™ LCD televisions are twice as bright as most indoor LCD TVs. The sun, however, delivers more than 30 times the brightness of our TVs. Therefore, it is important that you do not place the TV where the screen faces direct sunlight; otherwise, this will cause the image on the screen to be washed out.

Intense direct sunlight falling on the screen over an extended period of time may cause dark spots to form on the screen image. This is a characteristic of LCD TV technology, and is a temporary condition that will go away after the screen is pointed away from the sun.

**For optimum viewing, SunBriteTV recommends the following placement and installation guidelines:**

Ideal placement is in an area where the TV is shaded by trees, landscape and/or structures, or under a patio cover or gazebo.

SunBriteTV recommends mounting the TV on SunBriteTV's articulating, tilt and swivel Wall Mount (Part No. SB-WM32) so the TV screen can be turned away from the location of the sun (see Figure 1).

The articulating wall mount also allows the TV to be rotated away and angled down from any highly reflective surfaces, such as water, white walls, concrete, etc.

SunBriteTV recommends using the SunBriteTV dust cover (Part No. SB-DC321) when the TV is not in use, especially if the sun is shining on the TV during the day.

## 2 Prepare Pole Location:

Chose an area that is away from standing water and sprinklers (Irrigation water may contain minerals that can damage the finish on the pole and TV).

Bring the appropriate signal cables to the location (CATV, Video, Audio, etc.).

**If using the Pole in a planter:**

Create an appropriately sized concrete pier with a level top surface at least three inches above the grade.

**If using the Pole in a deck:**

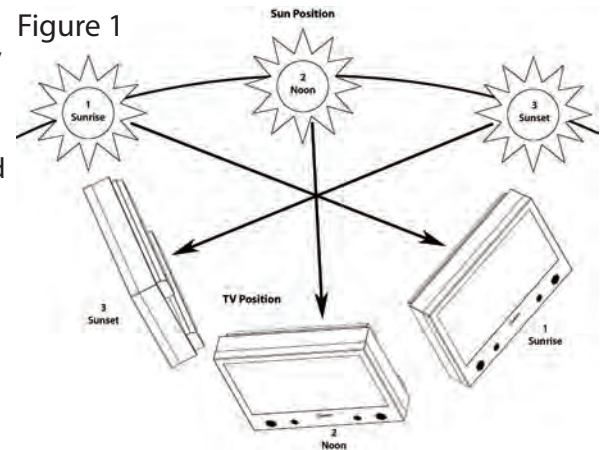
Chose a flat, level, shaded area away from sprinklers and standing water.

(Turn sheet over for further instructions)



Pole Dimensions:

Pole is 3"W x 3" D x 62" H; Flange is 8" x 8"



# SunBriteTV Deck/Planter Pole and Wall Mount Installation Instructions (Continued)

Part No. SB-DP2332X

To Accommodate SunBriteTV Models 23" and 32" Series

## 3 Install Pole (Figure 2):

Hardware included with Pole Mount SB-DP2332X:

- 1 Pole with Flange
- 4 1/4" Concrete Anchors with 1/4" Nuts and Washers

Use the Flange as a template to mark the locations of holes.

Drill 1/4" diameter x 1" deep holes using a concrete drill.

Use the 4 1/4" Concrete Anchors to mount the Pole.

Shim Pole level and plumb.

Secure using the 1/4" Nuts and Washers.

Orient the Pole so that the Cable Entry Holes at the top of the Pole face towards the back of the TV.

## 4 Attach Wall Plate to Pole (Figures 3 and 4):

Hardware included with Wall Mount SB-WM2332X:

- 2 3-1/2" Bolts
- 2 3/8" Washers
- 2 3/8" Nuts
- 1 Wall Mount Installation Instructions
- 1 23" Series Wall Plate
- or
- 1 32" Series Wall Plate

There are 3 Positioning Holes on the Pole that will accommodate mounting configurations for either the 23" Series TV or the 32" Series TV.

The 23" Series Wall Bracket utilizes the Top and Bottom Positioning Hole (See Figure 3).

The 32" Series Wall Bracket utilizes the Top and Middle Positioning Hole (see Figure 4).

Use the 3-1/2" Bolts and 3/8" Nuts and Washers provided to attach the Wall Plate to the Pole. Secure tightly.

(Note: The Wall Mount is supplied with 2-3/4" Bolts that are to be used for attaching the Wall Mount to a wall. Do not use these Bolts for the Pole installation.)

## 5 Attach Wall Mount to Wall Plate \*

## 6 Attach TV to Wall Mount \*

\* For complete instructions of how to attach the Wall Mount to the Wall Plate, and TV to the Wall Mount, please refer to the Wall Mount Installation Instructions packaged with the Wall Mount.

*Please note that SunBriteTV Wall Mounts can be used for wall or pole installations. These instructions are for Pole installations only. For complete instructions on how to mount the TV on a wall, please refer to the Wall Mount Installation Instructions.*

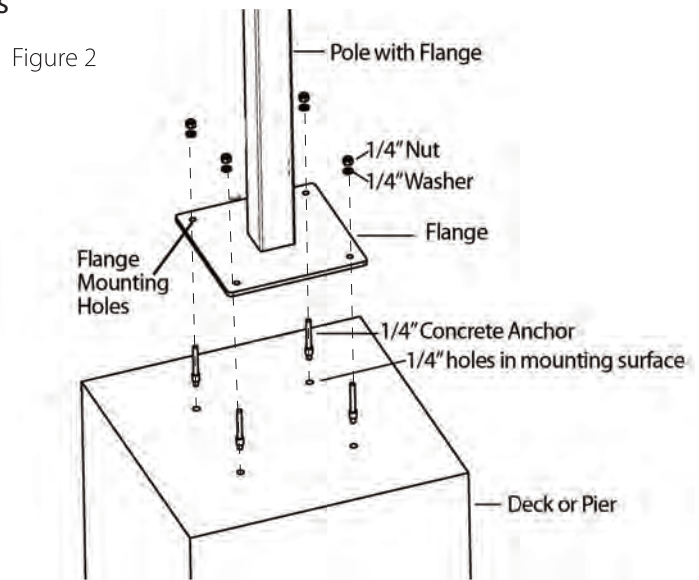


Figure 3 Pole Mount Configuration for 23" Series

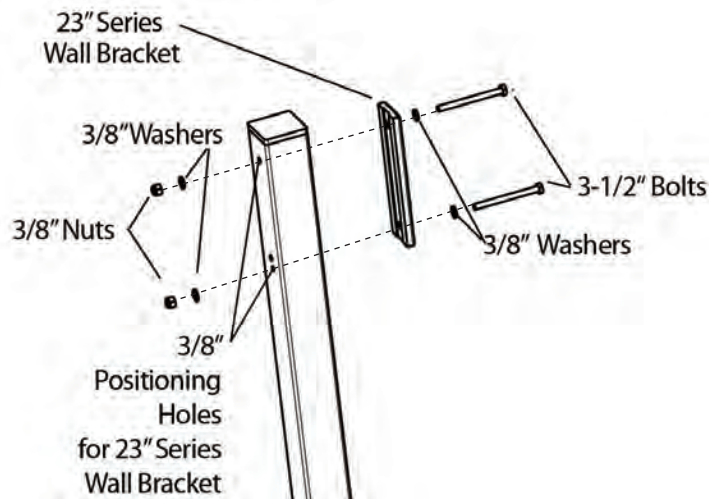
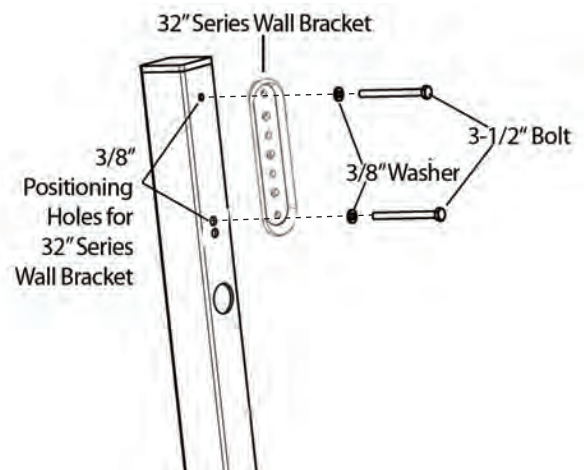


Figure 4 Pole Mount Configuration for 23" Series



## Free Manuals Download Website

<http://myh66.com>

<http://usermanuals.us>

<http://www.somanuals.com>

<http://www.4manuals.cc>

<http://www.manual-lib.com>

<http://www.404manual.com>

<http://www.luxmanual.com>

<http://aubethermostatmanual.com>

Golf course search by state

<http://golfingnear.com>

Email search by domain

<http://emailbydomain.com>

Auto manuals search

<http://auto.somanuals.com>

TV manuals search

<http://tv.somanuals.com>