



G1212/G1212WG

OWNER'S MANUAL

Gazebo

Includes instructions for 12' x 12' Gazebo
Assembled exterior dimensions: 13' 3"W. x 13' 3"D. x 12' 9-1/2"H.

Before You Begin...

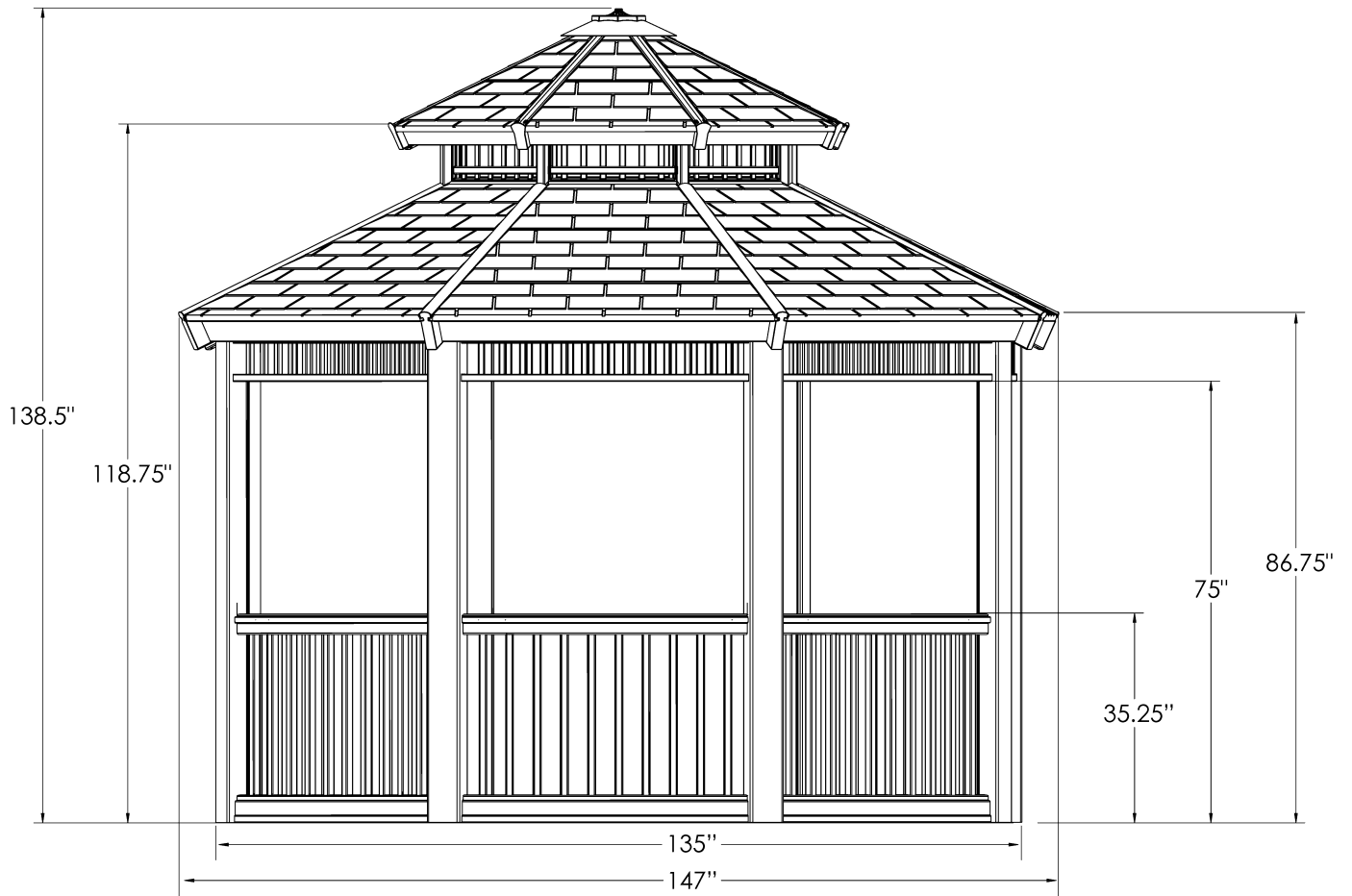
- **Consult your local authorities for any permits required to construct gazebo.**
Prior to the construction of your gazebo, check with the local building code official to review any required permits or building limitations.
- **A level and sturdy foundation is required before gazebo construction can begin.**
Site preparation information is available in this manual. Please read before building gazebo.
- **Read instructions thoroughly prior to assembly.**
This kit contains parts that can be damaged if assembled incorrectly or in the wrong sequence.
- **Please follow instructions.**
Suncast is not responsible for replacing parts lost or damaged due to incorrect assembly.
- **Check for all parts before you begin assembly.**
Using the provided parts check list on pages 5 and 6 (G1212) and 7 and 8 (G1212WG), verify that you have all the parts required to construct your gazebo model. If you are missing parts call 1-800-846-2346.
COMPLETE SITE PREPARATION AND FOUNDATION CONSTRUCTION BEFORE UNPACKING ALL PARTS.
- **Assistance is required.**
Due to the size of the parts, at least two people are required to handle, fit and secure gazebo components.
- **Foundation mounting hardware varies with each application and is not included in this kit.**
Read manual first and contact your local building supply retailer for recommendations for your application.

Gazebo Assembly Stages

There are four stages to assembling this gazebo. The end of each stage provides a good stopping point. Please read the instructions and set aside the appropriate amount of time for each stage.

- 1) Site preparation and platform construction
- 2) Support post installation
- 3) Parts pre-assembly
- 4) Gazebo assembly

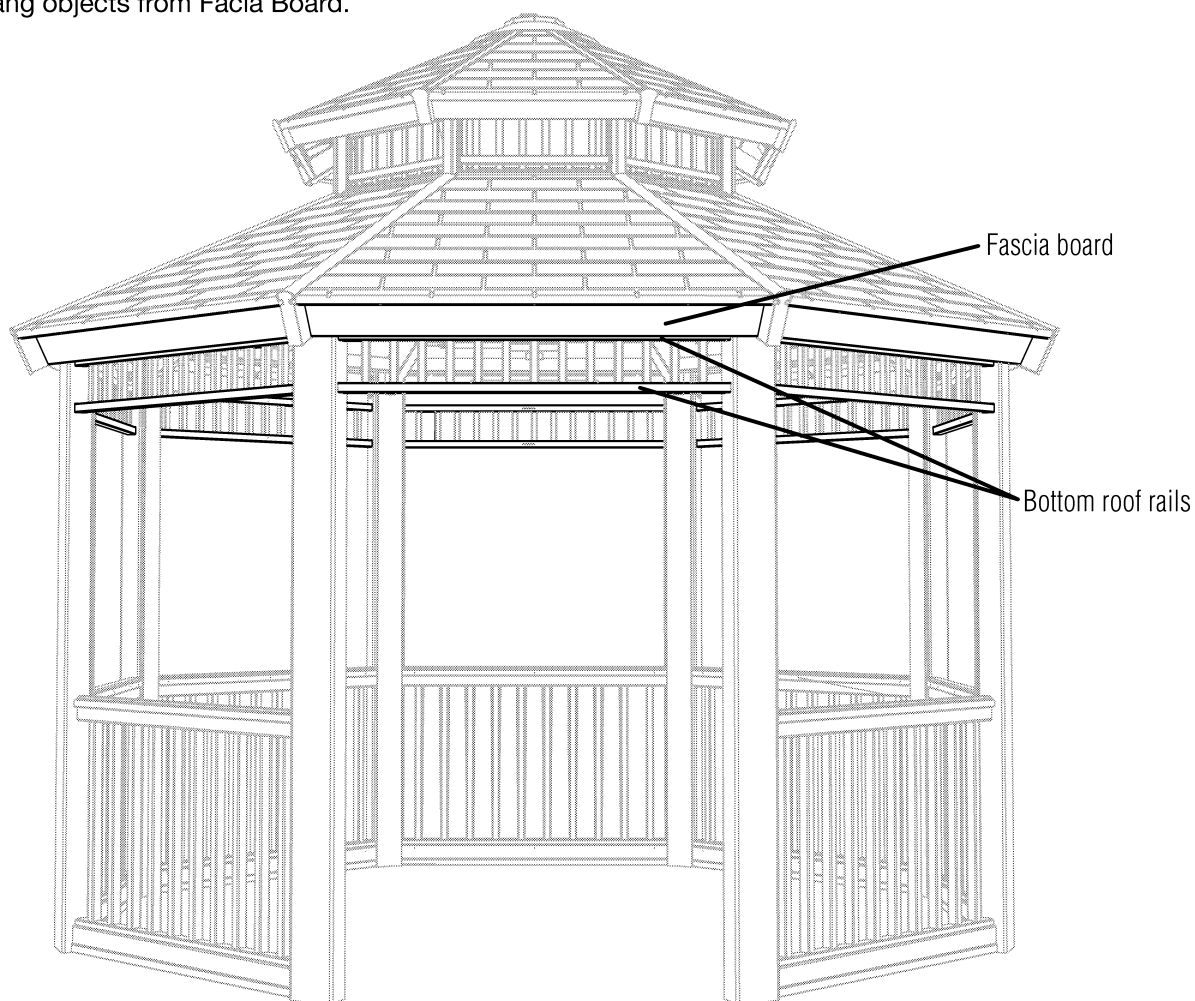
Assembled Dimensions





CAUTION

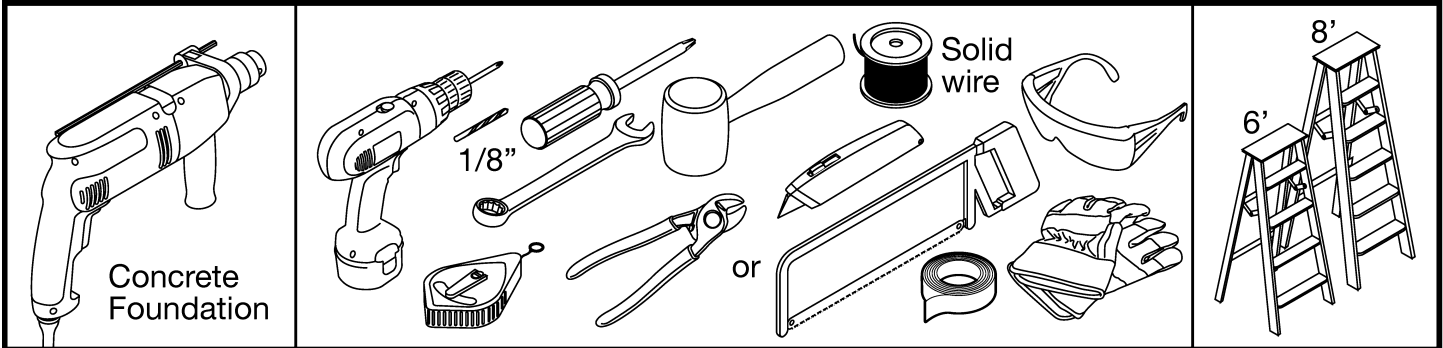
- Gazebo not intended for use in extreme weather conditions.
- Do not stand, sit, or store items on gazebo roof.
- Handle carefully in extreme temperatures.
- Repair or replace broken parts immediately. Call 1-800-846-2346 for replacement parts.
- Sunbath is not responsible for damage caused by weather or misuse.
- At regular intervals inspect your gazebo to make sure that assembly integrity has been maintained.
- Periodically check that the location you have chosen to set your gazebo is still level.
- Avoid excess heat from any auxiliary source.
- Railing is not intended as a seat.
- Any additional holes drilled into parts could cause unsafe conditions.
- Gazebo is not intended to be enclosed.
- Follow manufacturer safety instructions when using ladder.
- Do not anchor to paver bricks. Foundation must be a solid surface.
- Exercise caution using a lawn mower, edge trimmer or other yard equipment near gazebo.
- Do not hang objects from Roof Rails.
- Do not hang objects from Fascia Board.



Gazebo Safety and Care

- Wash gazebo with garden hose or mild detergent solution and soft cloth. **DO NOT** use a stiff brush or abrasive cleaner as that could damage gazebo. **DO NOT** use caustic cleaner such as bleach or ammonia.
- Hot items, such as recently used grills, blowtorches, etc., must not be used in or near the gazebo.
- Heavy articles should not be leaned against the post and rails, as this may cause panel distortion and permanent damage.
- Keep roof clean of snow and leaves.

Tools Needed for Installation

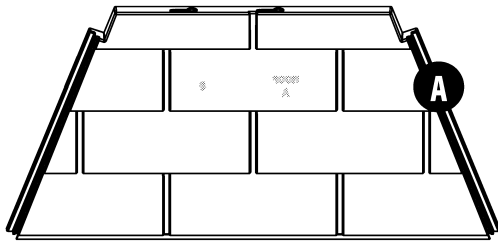


Assembly Day Tips

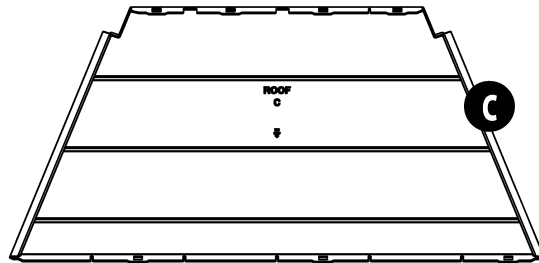
- **Complete site preparation and foundation construction before unpacking parts and beginning assembly.**
- **Take care when removing posts from carton. Other parts are packed inside them.**
- **DO NOT attempt to assemble on a day with strong winds.**
- **DO NOT attempt to assemble on days when temperature is below 32 degrees.**
- **Set aside appropriate amount of time to completely assemble gazebo.**
- **Make sure you have assistance nearby to lift and secure parts in place.**
- **Wear light duty work gloves while assembling gazebo.**
- **If you have questions on assembly, please call 1-800-846-2345, Monday – Friday 8:00AM to 4:30PM (Central Standard Time).**

Note: This product contains parts that are used in different orientations to construct the gazebo. Please take note of the orientation of the parts shown throughout this instruction manual. Failure to follow instructions could result in damage to parts. SunCast is not responsible for replacing parts lost or damaged due to incorrect assembly.

G1212-White Gazebo Parts

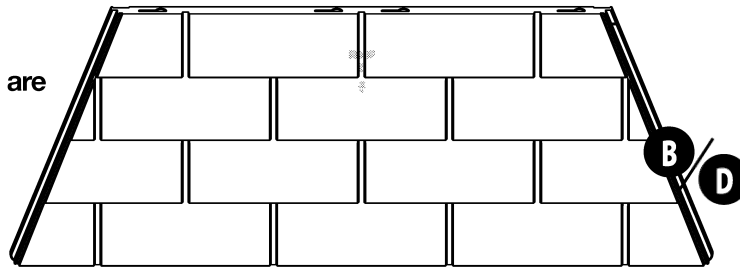


0101856A0 – Bottom upper shingle roof
x8



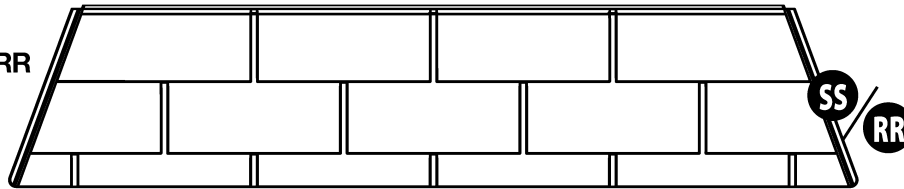
0101852A1 – Bottom upper underside roof
x8

Note: Parts D and B are pre-assembled.

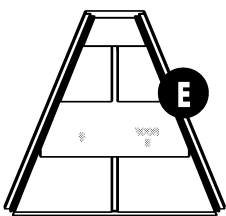


0102044A0 – Bottom lower shingle roof (B)/0101853A1 – Bottom lower underside roof (D)
x8

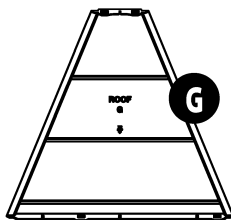
Note: Parts SS and RR are pre-assembled.



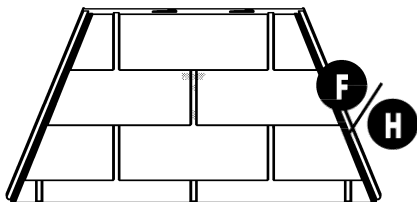
01012038A0 – Roof edge shingle panel (SS)/0102039A1 – Roof edge underside panel (RR)
x8



0101854A0 – Top upper shingle roof
x8



0101850A1 – Top upper underside roof
x8



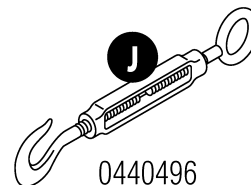
0101855A0 – Top lower shingle roof/
0101851A1 – Top lower underside roof
x8

Note: Parts H and F are pre-assembled.

Hardware



0210170
10-32 Machine screw
1/4-20 x.5L x32



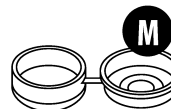
0440496
Turnbuckle



0210152
Stainless steel screw
x46



0440496
Cable clamp
x2



0240049
Screw cap
x102



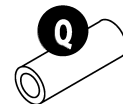
0510496
37.75' Cable



0210156
Flat head screw
x80



0210160
Pan head screw
x32



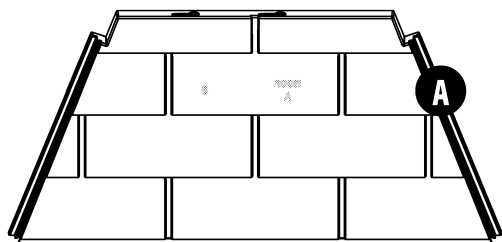
0510502
Nylon spacer
x32

G1212-White Gazebo Parts

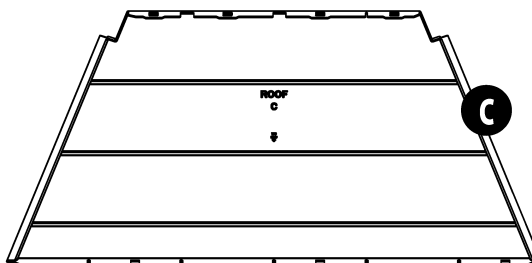
R 0630484 Left doorway post
S 0630483 Right doorway post
W 0630482 Post x6
DD 0630493 Steel post x8
JJ 0630466 Hand rail spindle x70
UU 0630492 Hand rail x7
U 0101846A0 Top cap
AA 0101847A1 Bottom hub connector
U 0102061A1 Dowel pin x16
CC 0102064A1 Dowel pin plug x16
V 0630464 Upper roof rafter x8
Z 0630471 Roof support posts x8
Y 0101849A1 Lower rafter hub connector x8
EE 0630485 Lower roof rafter x8
FF 0101845A1 Lower roof end cap x8
GG 0101844A1 Upper roof end cap x8
HH 0630474 Roof weather strip x8
II 0630488 Long weather strip x8
BB 0630470 Center hub spacer x8
KK 0630490 Lower roof rail x16
LL 0102054A1 Upper screen holder/ 0510509 Top roof screen x8
MM 0630473 Upper roof fascia x8
PP 0630487 Lower roof fascia x7
TT 0630522 Doorway lower roof fascia
NN 0630469 Roof spindle x104
VV 0630489 Fascia board mid-roof x8

Note: Top roof screen will be pre-assembled in upper screen holder.

G1212WG-Wood Grain Gazebo Parts

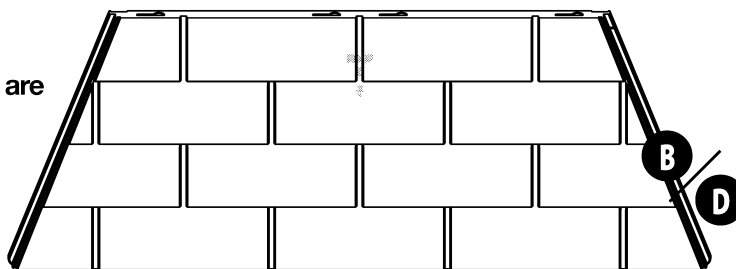


0101856A0 – Bottom upper shingle roof
x8



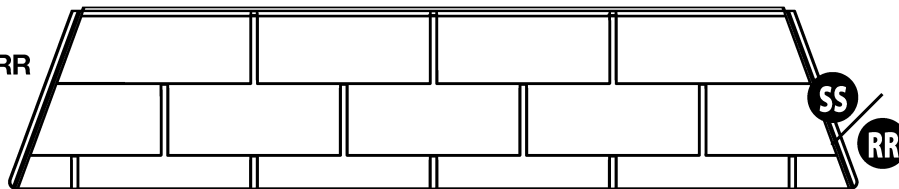
0101852B1 – Bottom upper underside roof
x8

Note: Parts D and B are pre-assembled.

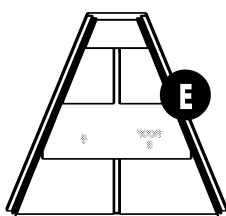


0102044A0 – Bottom lower shingle roof (B)/0101853B1 – Bottom lower underside roof (D)
x8

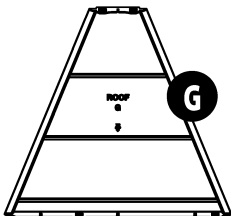
Note: Parts SS and RR are pre-assembled.



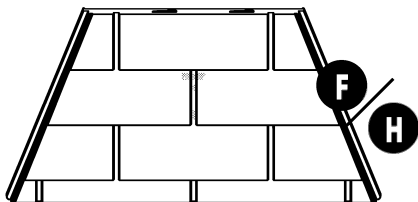
01012038A0 – Roof edge shingle panel (SS)/0102039B1 – Roof edge underside panel (RR)
x8



0101854A0 – Top upper shingle roof
x8



0101850B1 – Top upper underside roof
x8



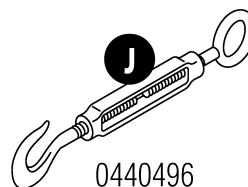
0101855A0 – Top lower shingle roof/
0101851B1 – Top lower underside roof
x8

Note: Parts H and F are pre-assembled.

Hardware



0210170
10-32 Machine screw
1/4-20 x.5L x32



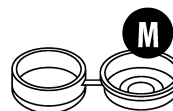
0440496
Turnbuckle



0210152
Stainless steel screw
x46



0440496
Cable clamp
x2



0240053
Screw cap
x102



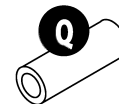
0510496
37.75' Cable



0210156
Flat head screw
x80

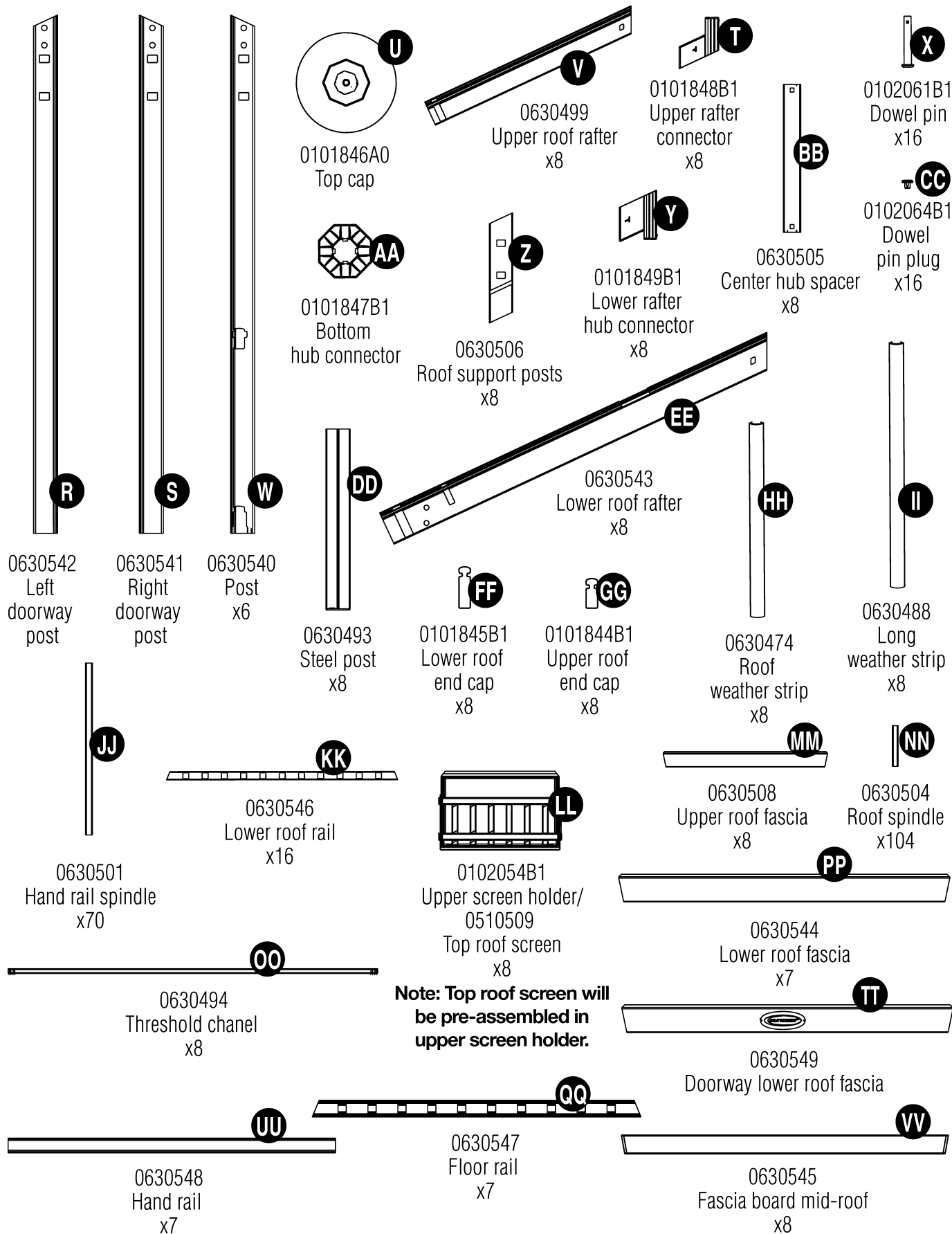


0210160
Pan head screw
x32



0510502
Nylon spacer
x32

G1212WG-Wood Grain Gazebo Parts



Site Preparation and Platform Construction

(Materials NOT supplied with Gazebo Kit)

Note: Site preparation and platform construction and Support Post Installation steps may require professional assistance to be installed correctly.

Please read all manual steps thoroughly before starting this project.

Note: Site preparation and platform construction **are required** for this gazebo. Placing the gazebo on the ground without any type of foundation is not recommended. Suncoast is not responsible for replacing parts damaged or property lost due to construction without a foundation or platform.

Complete the site preparation and platform construction before unpacking parts.

To prepare your gazebo site, follow the below steps:

- 1) Consult your local authorities for building codes and covenants before beginning foundation or erecting gazebo.
- 2) Consult your local building supply retailer to assist you in determining the best foundation or platform method for your application. The building supply retailer can also help you determine what anchoring hardware you will need once the foundation or platform method has been determined. Bring this manual with you to the retailer so they can see the scope of the project.
- 3) Before any digging, check with local utilities to determine location of buried cables, pipes, etc.
- 4) **A 4-inch thick concrete slab is recommended as the foundation.**
 - If a wood platform is chosen as the foundation, use exterior grade wood.

Note: DO NOT erect gazebo on paver bricks. Foundation must be a solid surface.

If you plan to erect the gazebo on an existing deck, consult local authorities for building codes and make sure that the structure is sound and can hold the additional weight of the gazebo (approx. 1000 lbs.). Consult local building supply retailer to determine the best method and hardware for your application.

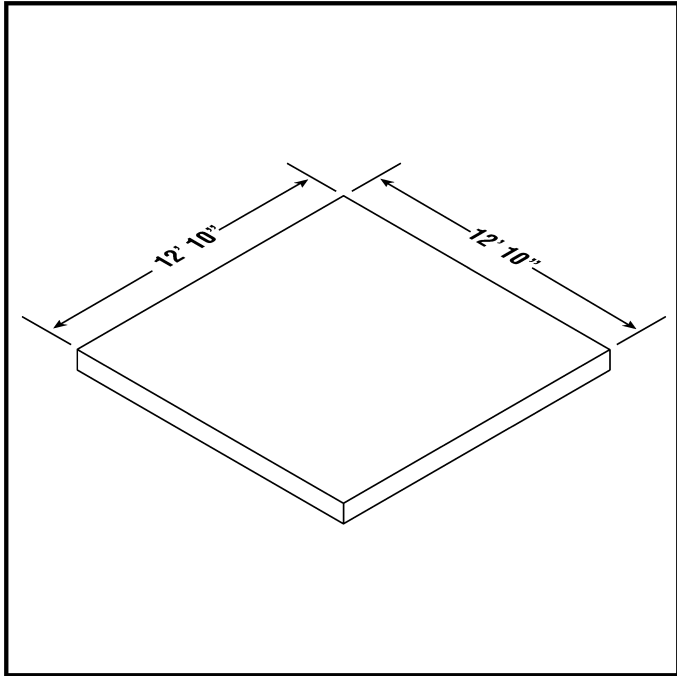
- 5) Preparing the building site:
 - The ground should slope away from the foundation area to provide drainage.
 - The foundation surface must be flat and level.
 - Follow local building codes for a proper vapor barrier.

Ensure site allows room for your gazebo:

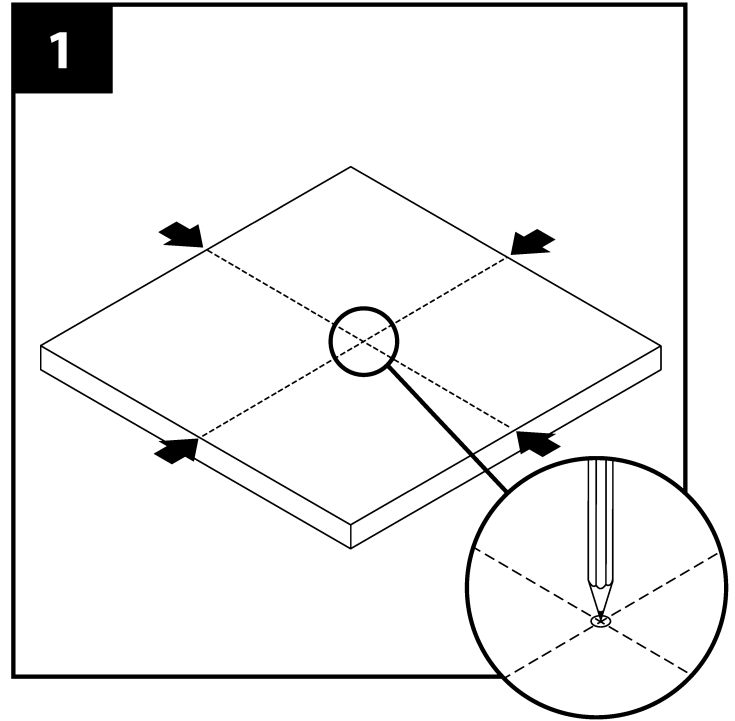
- 1) Square foundation should be 12' 10" x 12' 10" minimum.
- 2) If an octagon foundation is wanted for your gazebo, consult your local building supply retailer to help you determine materials and hardware required.
- 3) Overall height (foundation to top of top cap) – 12' 9.5".
- 4) Overall base width (support post to support post) – 12'.
- 5) Overall roof width (rafter end to rafter end) – 13' 3".

Support Post Installation

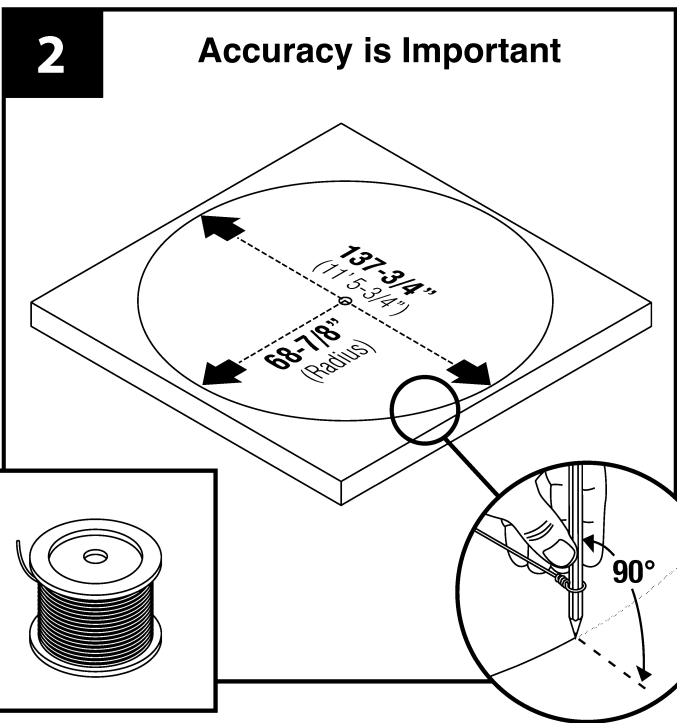
Note: Before drilling into foundation, check with local building supply retailer for best method and hardware for your application.



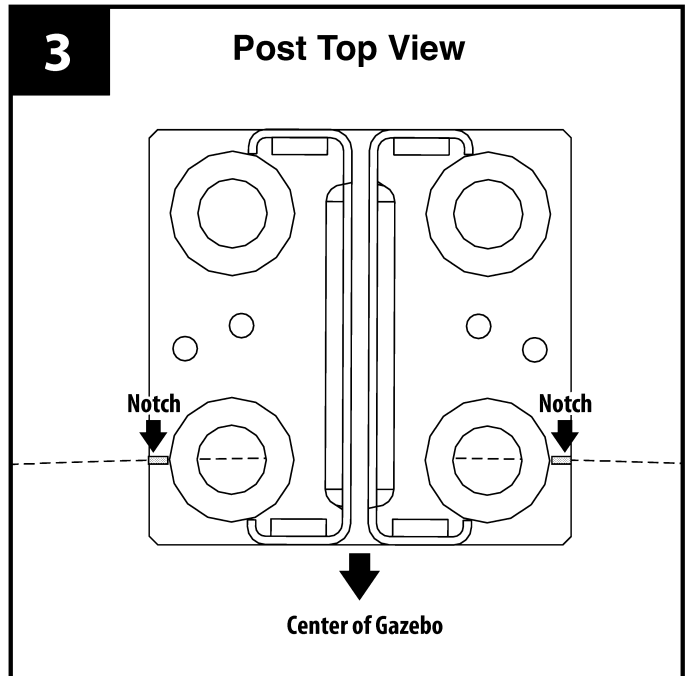
Ensure square foundation is 12' 10" x 12' 10".



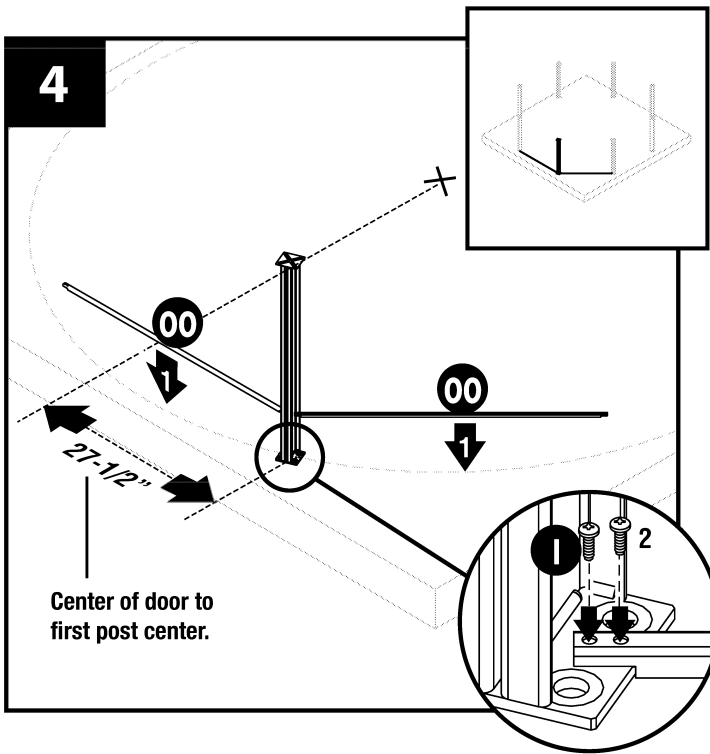
Locate and mark center point of foundation slab or deck.



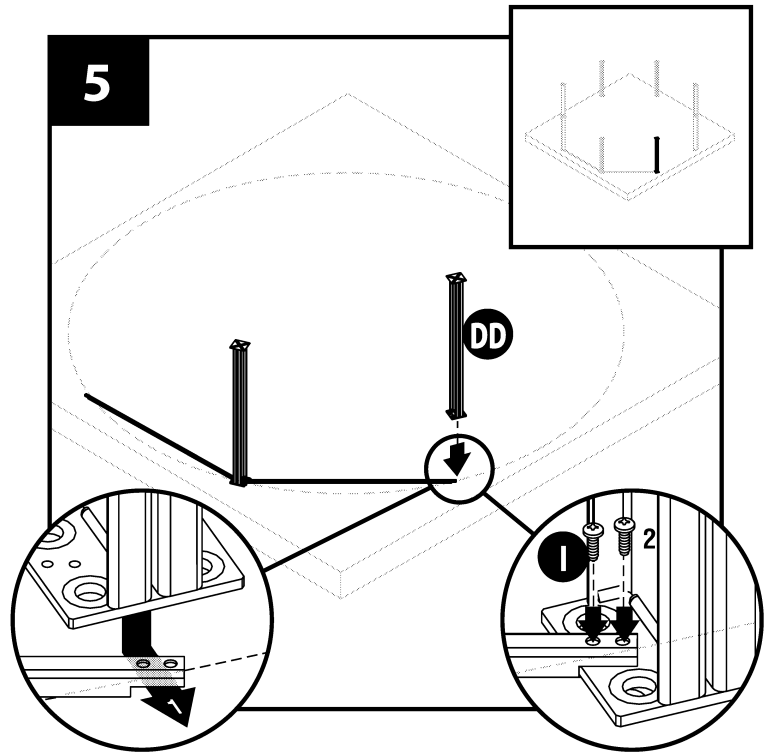
Anchor solid wire (not stranded) at center point, or have another person hold wire at center point to ensure accuracy. Draw a 137-3/4" diameter circle. Make sure to keep pencil perpendicular to surface. **DO NOT** use string – use wire – string will stretch causing inaccurate measurements. Verify measurements using a measuring tape in several locations before proceeding to step 3.



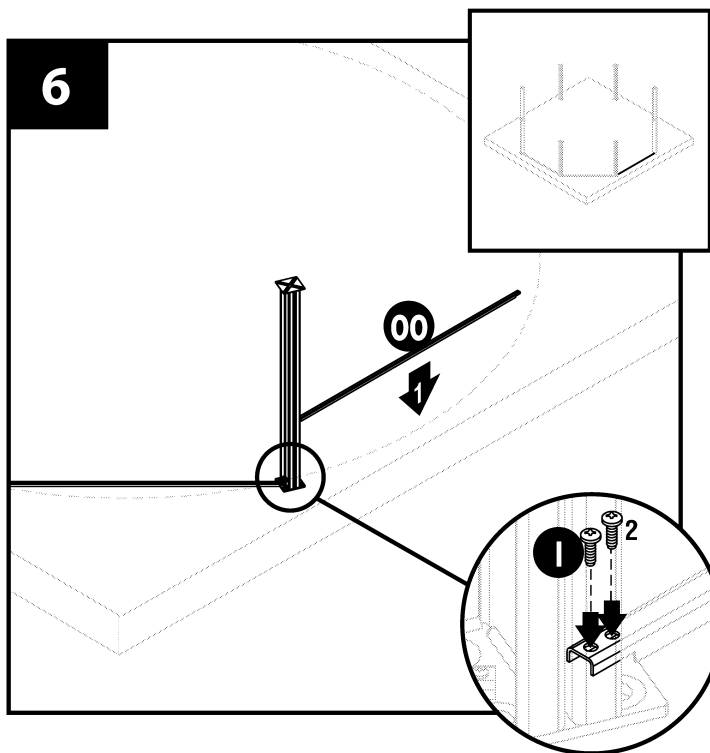
Notches on base plate of steel post are designed to align with scribed circle.



Attach one threshold channel to each side of the first post using screws provided.



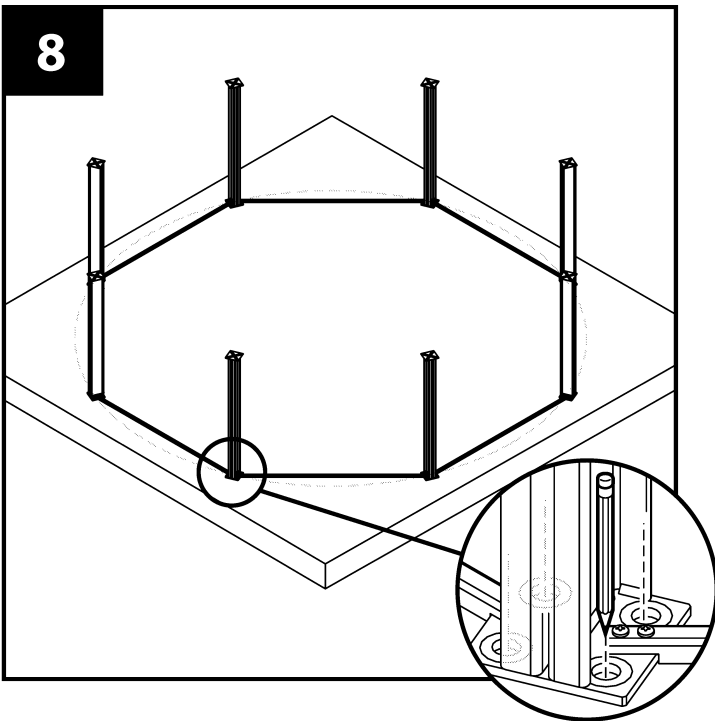
Line up the next steel post with the other end of threshold channel positioning base to closely follow the scribed circle. Attach with screws provided.



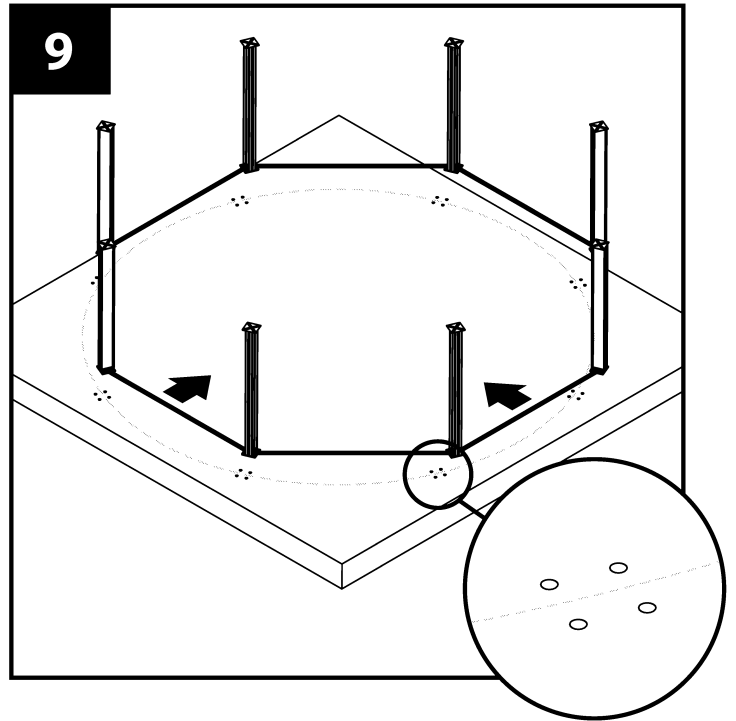
Attach one threshold channel to post using screws provided.

7

Repeat steps 5-6 for remaining steel posts and threshold channels.



Once the posts are in position with the base plate notches lined up on the scribed circle, use a pencil to mark the four hole locations in each base plate. **Be careful not to let the steel post and threshold assembly move while marking these locations.**



Move the entire assembly off of the scribed circle enough to allow drilling into the foundation at the traced base plate locations.

10

What type of foundation are you drilling into?

<p>Concrete Foundation</p> <p>Proceed to step 1 Concrete foundation.</p>	<p>Wood Foundation</p> <p>Proceed to step 1 Wood foundation.</p>
---	---

1 Concrete foundation

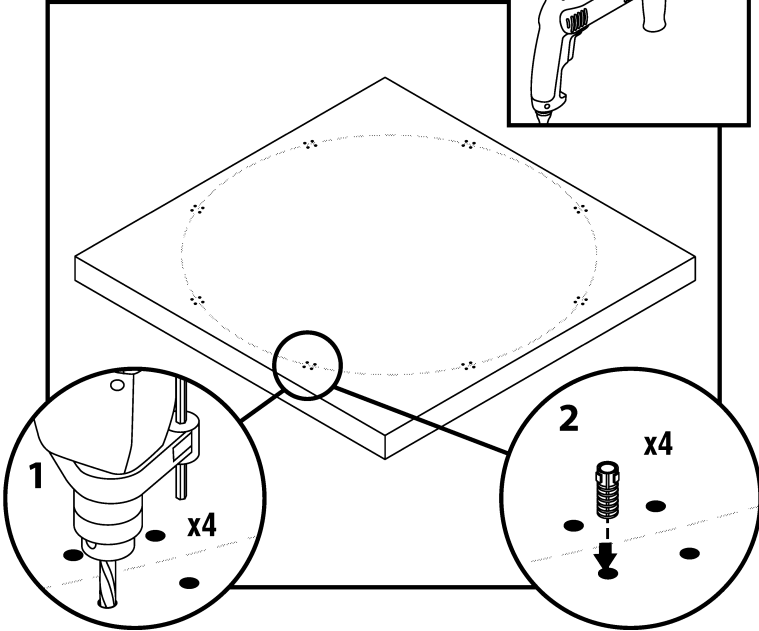
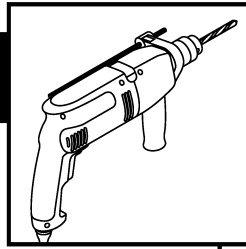
Dismantle support post assembly completely.

Concrete foundation

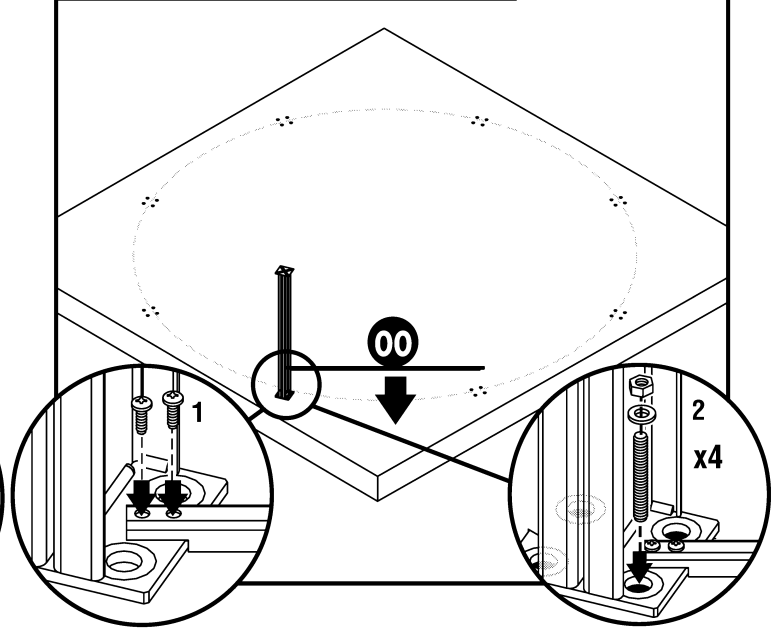
Note: Due to the nature of drilling into concrete, each post location must be verified before and after drilling. It is NOT recommended that you drill all holes at one time.

Note: Before drilling into foundation, check with local building supply retailer for best method and hardware for your application.

2 Concrete foundation



3 Concrete foundation



Concrete foundation

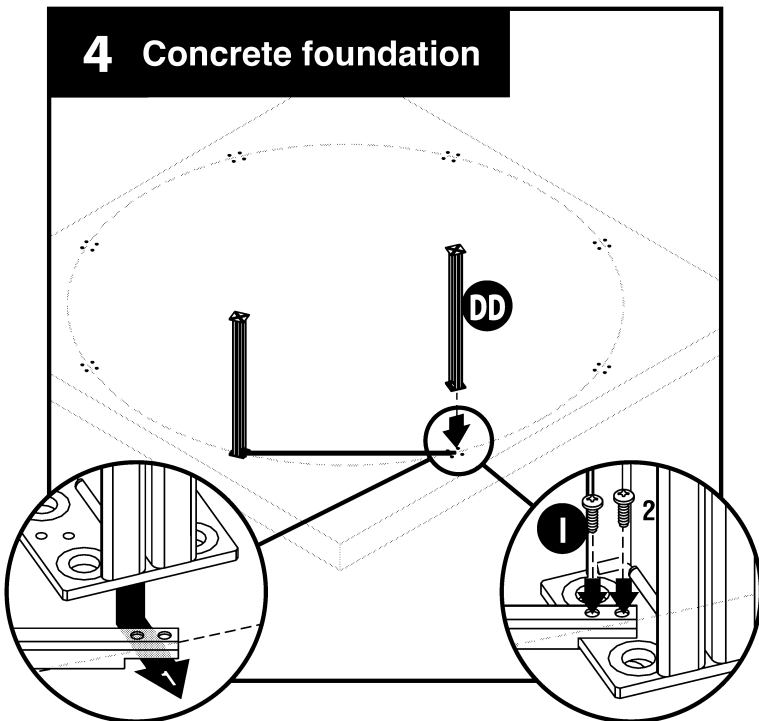
DRILL HOLES FOR FIRST POST ONLY, using a standard power drill. Make a small pilot hole half the diameter of your anchor. Using a hammer drill, make holes for first post. Then insert concrete lag anchors.

Concrete foundation

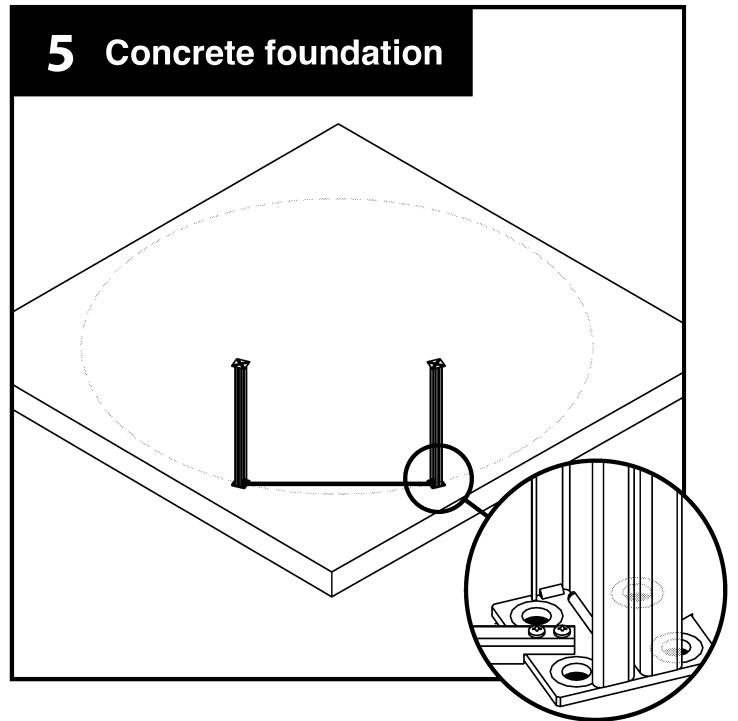
Attach one threshold channel to one side of the first steel post. Loosely bolt down the first steel post with four full-threaded studs, washers and nuts. (Hardware NOT included in this kit.)

Note: DO NOT fully tighten bolts.

4 Concrete foundation



5 Concrete foundation



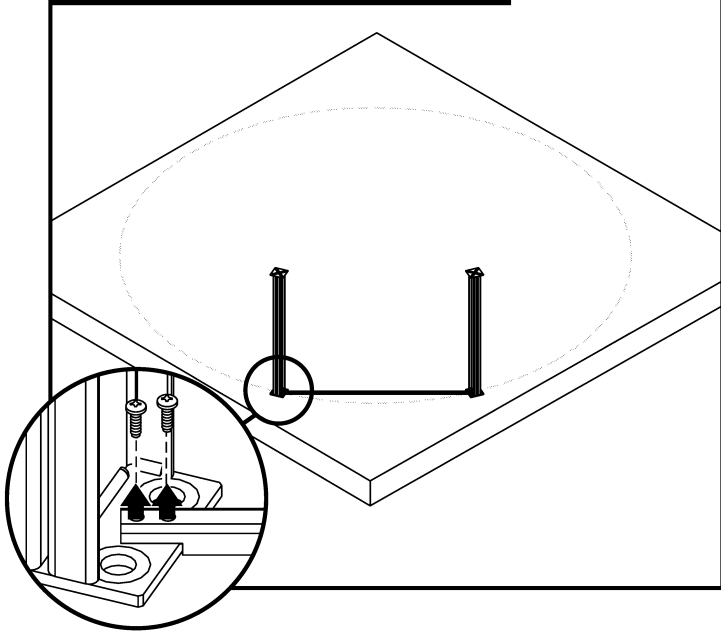
Concrete foundation

Attach second steel post to the threshold channel using screws provided.

Concrete foundation

Check that second steel post still lines up with four screw hole locations. Make adjustments to marks if necessary.

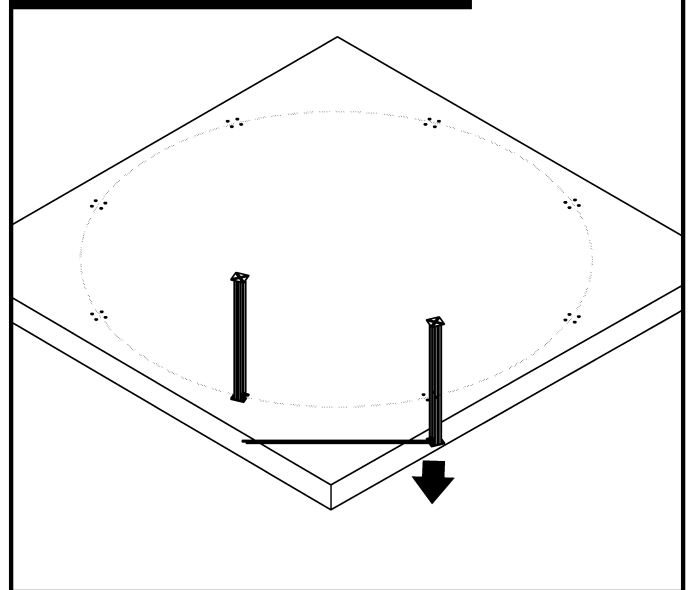
6 Concrete foundation



Concrete foundation

Remove threshold screws from first post.

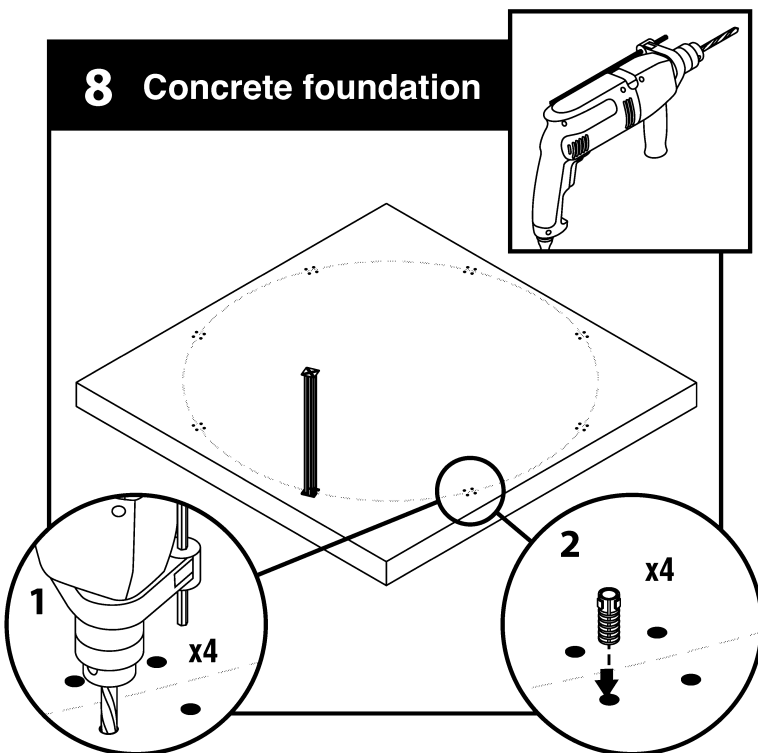
7 Concrete foundation



Concrete foundation

Move threshold and second post off of foundation.

8 Concrete foundation

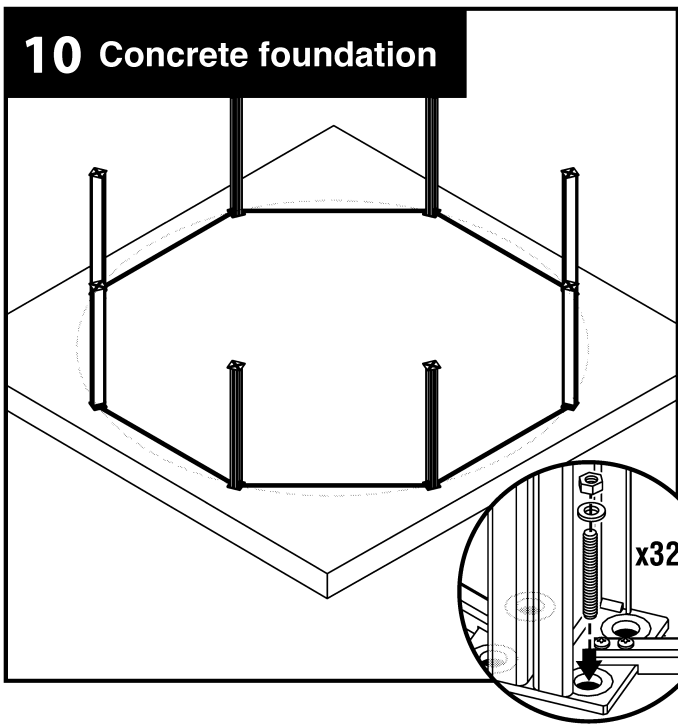


Concrete foundation

DRILL HOLES FOR NEXT POST ONLY, using a standard power drill. Make a small pilot hole half the diameter of your anchor. Using a hammer drill, make holes for next post. Then insert concrete lag anchors.

9 Concrete foundation

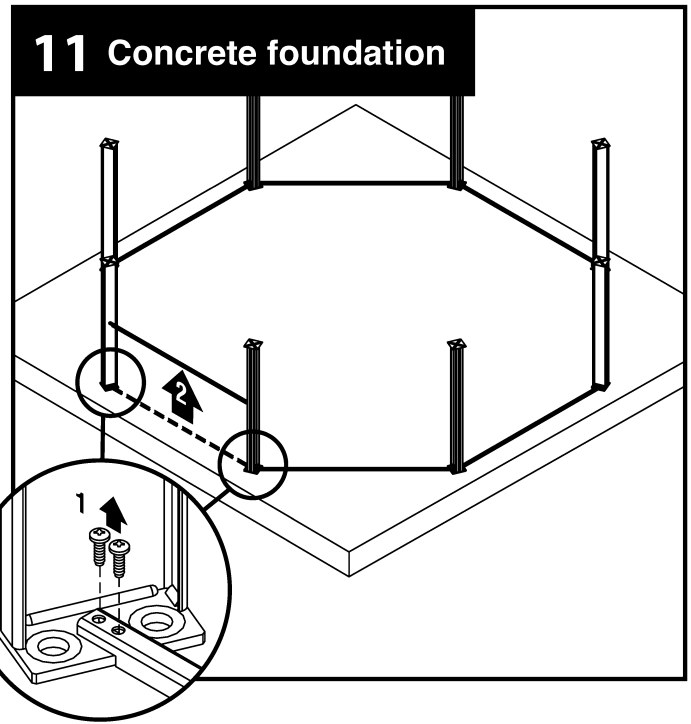
Repeat Concrete Foundation steps 3 through 8. As each post is bolted down, attach threshold and next post to check for alignment before drilling next set of holes.



Concrete foundation

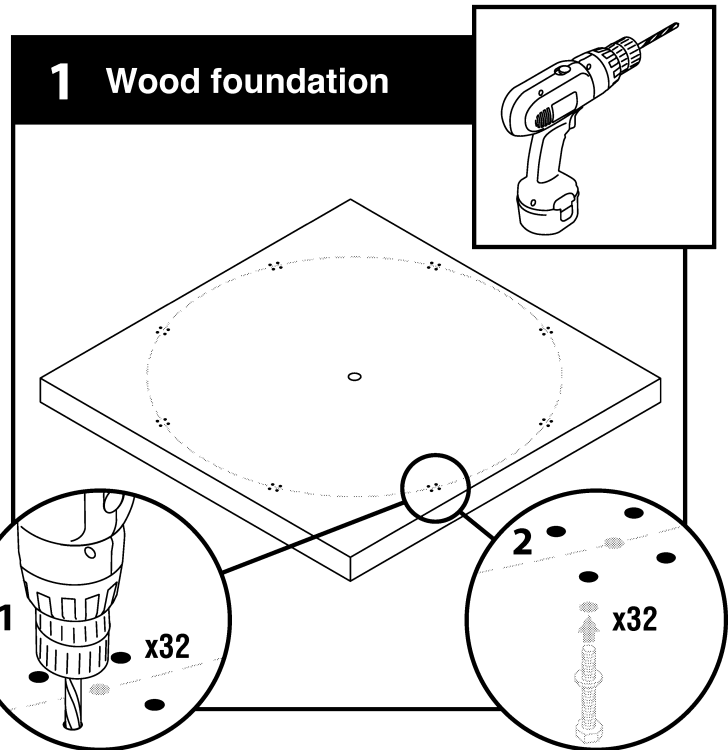
Securely bolt down all the steel posts with four full-threaded studs, washers and nuts.

Note: Ensure all steel posts are securely fastened before moving on.



Concrete foundation

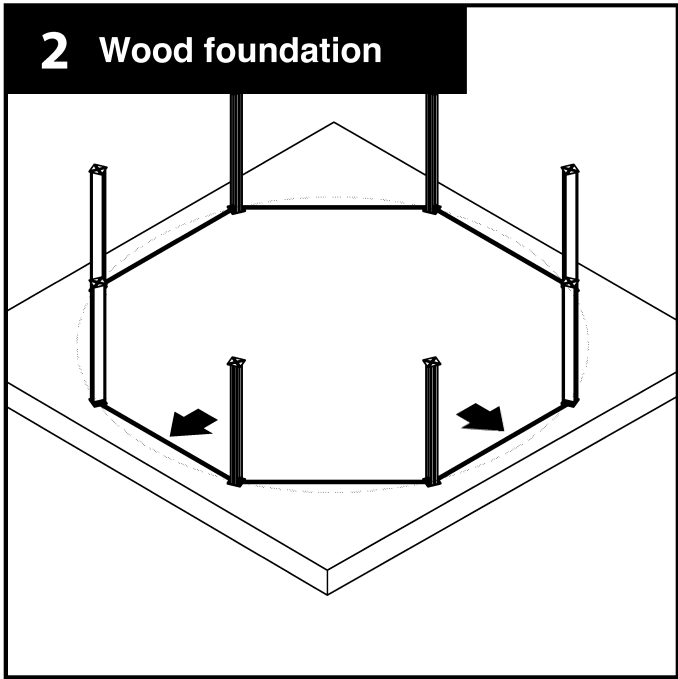
The threshold channel in the door opening can be removed once the steel posts are bolted in place.



Wood foundation

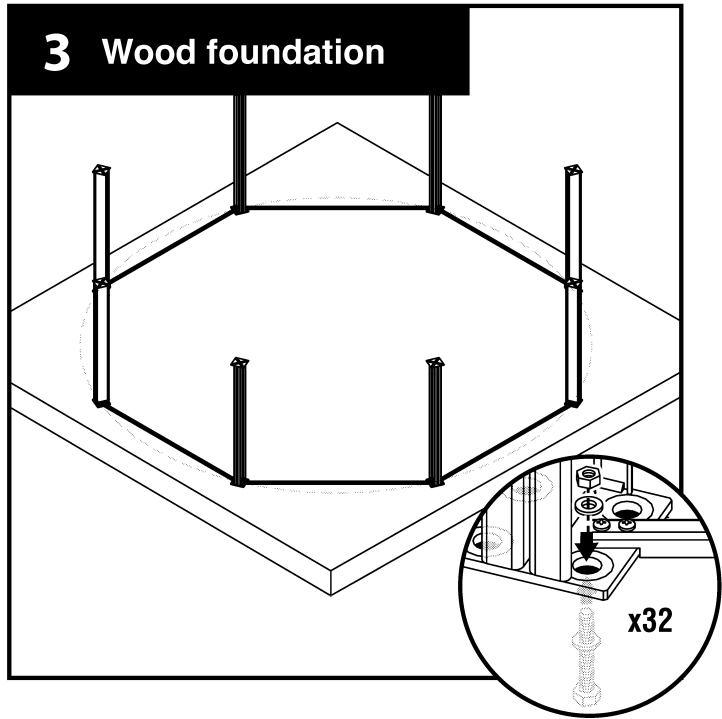
Drill holes for each post.

Note: Before drilling into foundation, check with local building supply retailer for best method and hardware for your application.



Wood foundation

Move the entire assembly back on the scribed circle aligning the steel posts with the drilled holes.



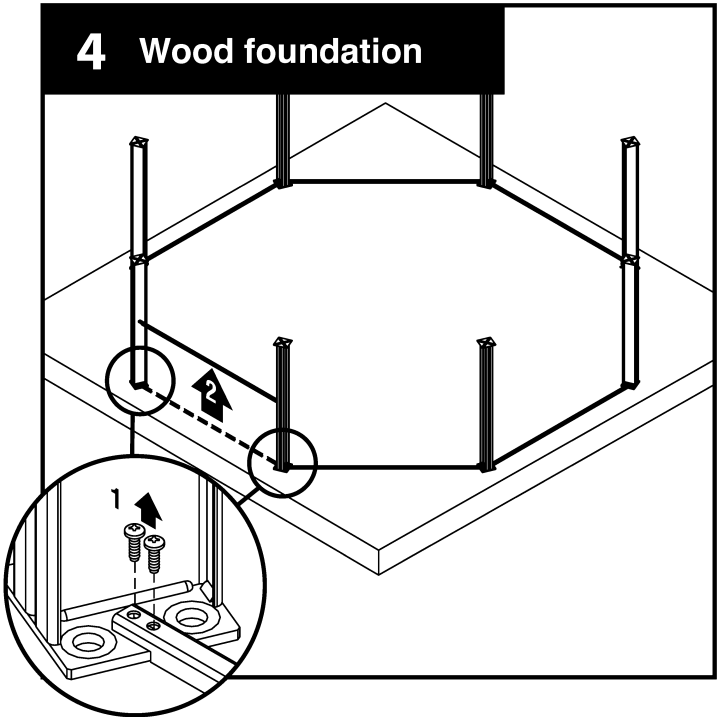
Wood foundation

From underside of foundation, insert four 1/2" lag bolts and washers. From upper side of foundation, bolt down each steel post with washers and nuts. (Hardware NOT included in this kit.)

Note: Ensure all steel posts are secured to foundation.

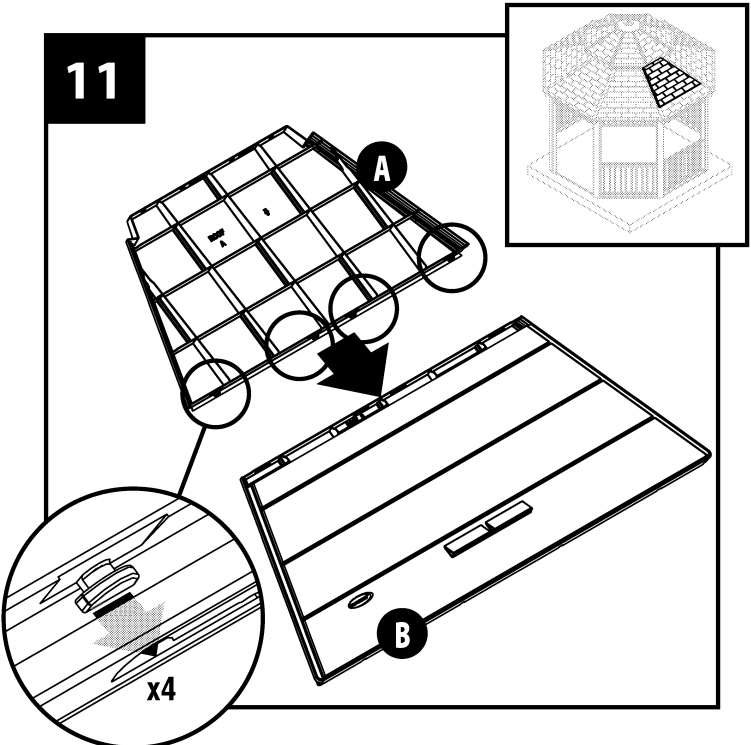
Parts Pre-Assembly

Note: To avoid scratching finish in steps where parts are placed upside down, place parts on smooth surface. Flatten cardboard from carton to create a smooth surface.



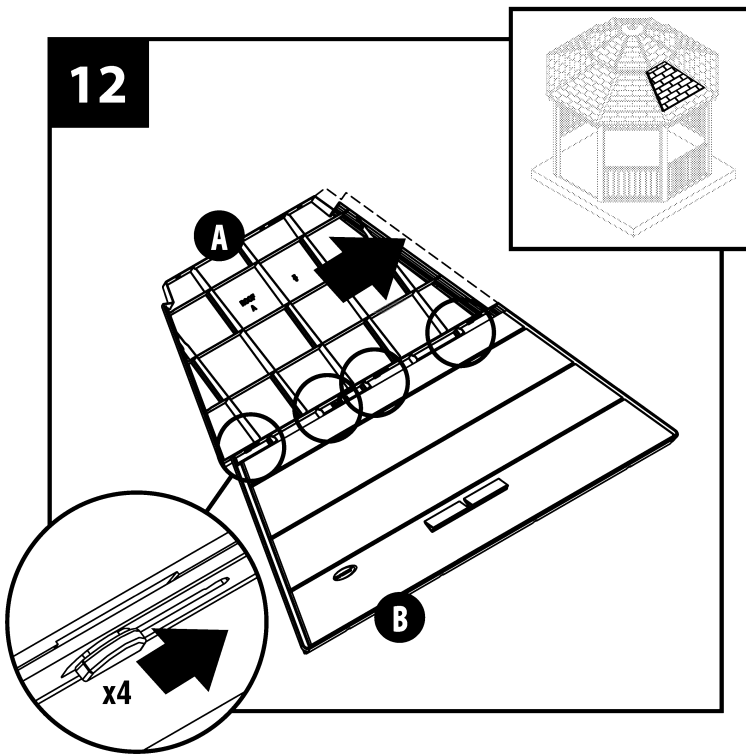
Wood foundation

The threshold channel in the door opening can be removed once the steel posts are bolted in place.

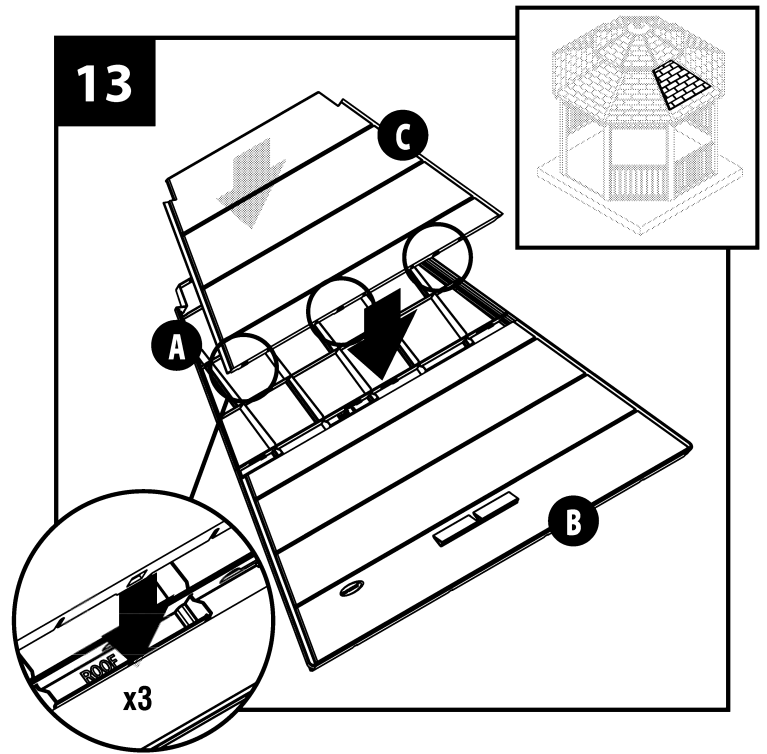


Insert A into the corresponding slots in B.

Note: Ensure that pre-assembled B is assembled properly.



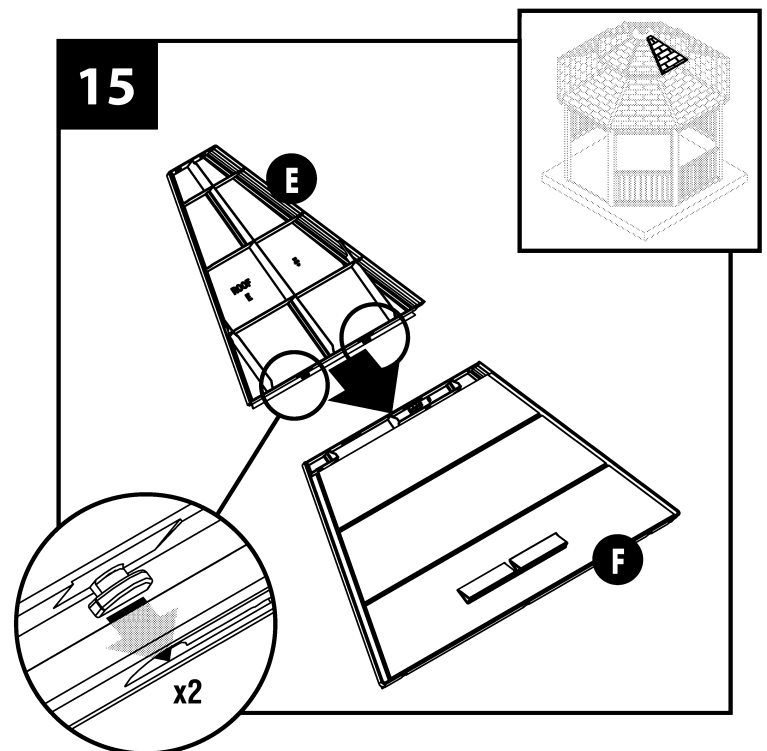
Slide A and lock into place in B.



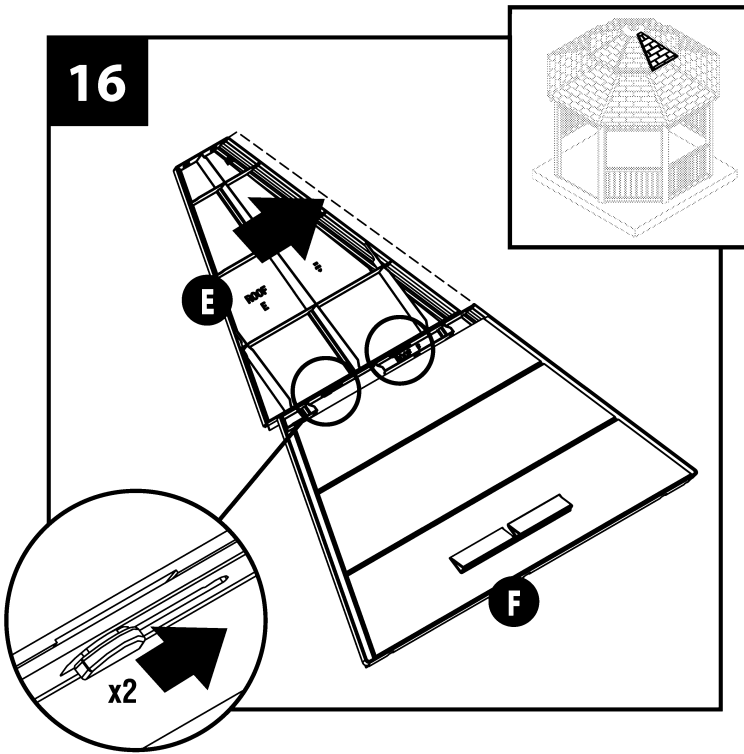
Snap C into A and B to form a single lower roof panel.

14

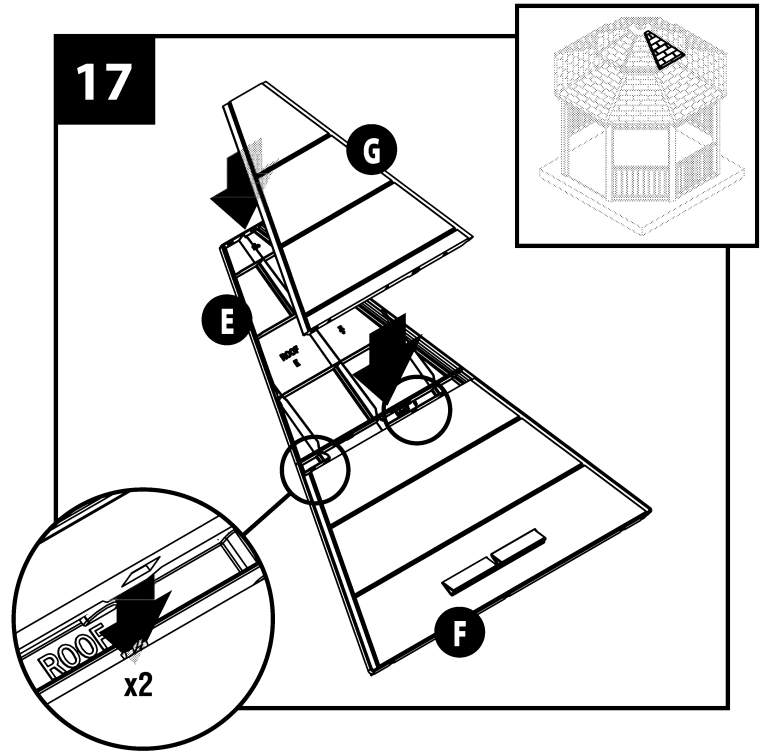
Repeat steps 11-13 for seven remaining lower roof panels.



Insert E into the corresponding slots in F.
Note: Ensure pre-assembled F is assembled properly.



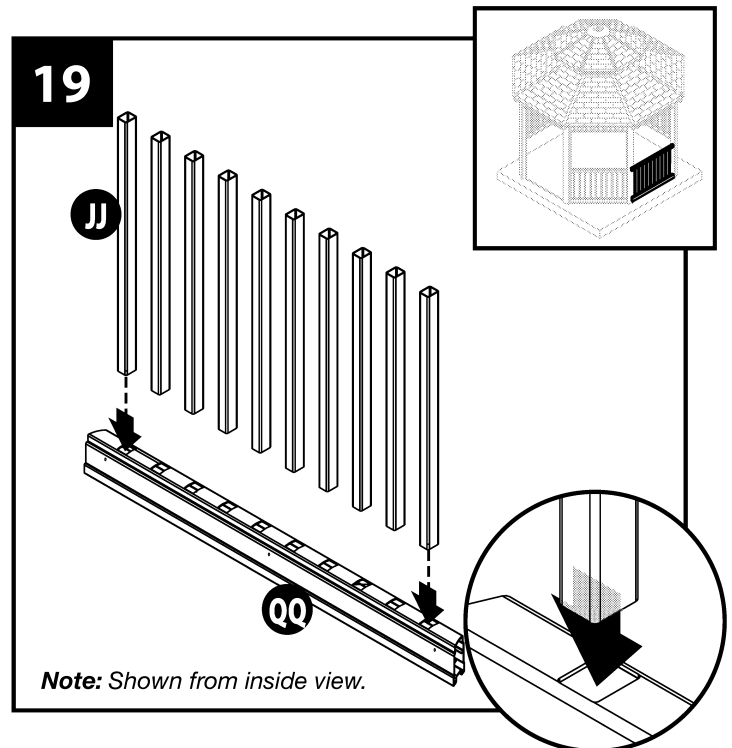
Slide E and lock into place in F.



Snap G into E and F to form a single upper roof panel.

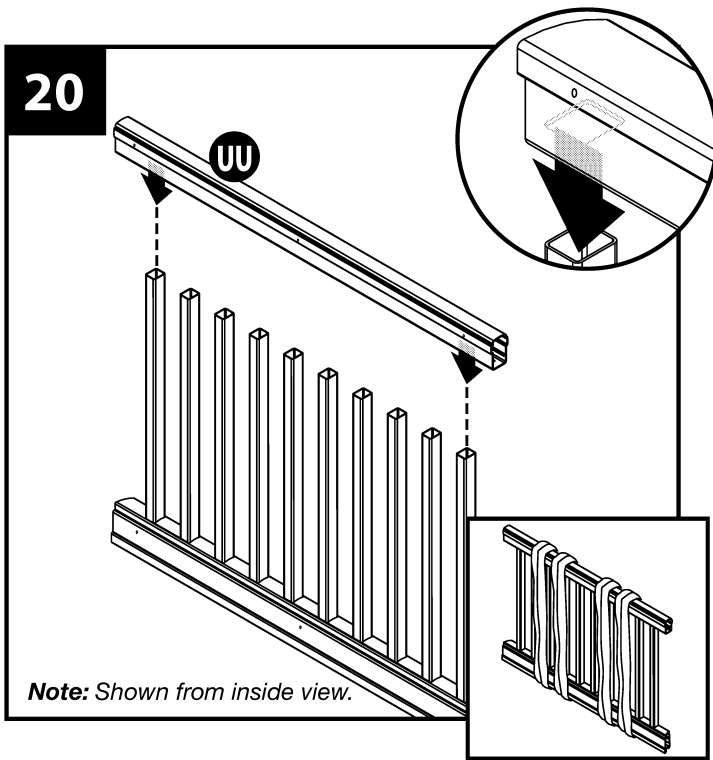
18

Repeat steps 15-17 for seven remaining upper roof panels.



Insert ten hand rail spindles into square floor rail holes.

Note: Make sure pre-drilled holes on side of QQ will be facing the inside of gazebo.

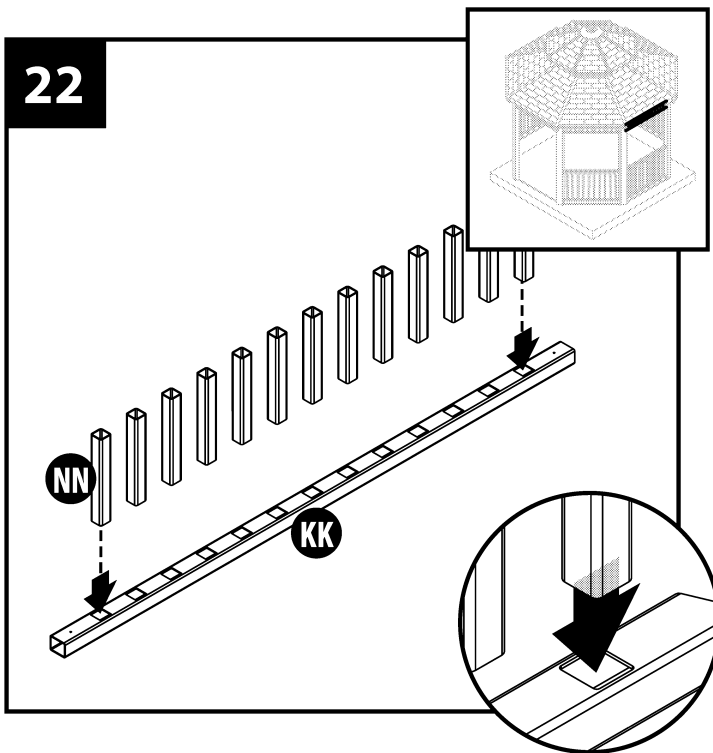


Note: Shown from inside view.

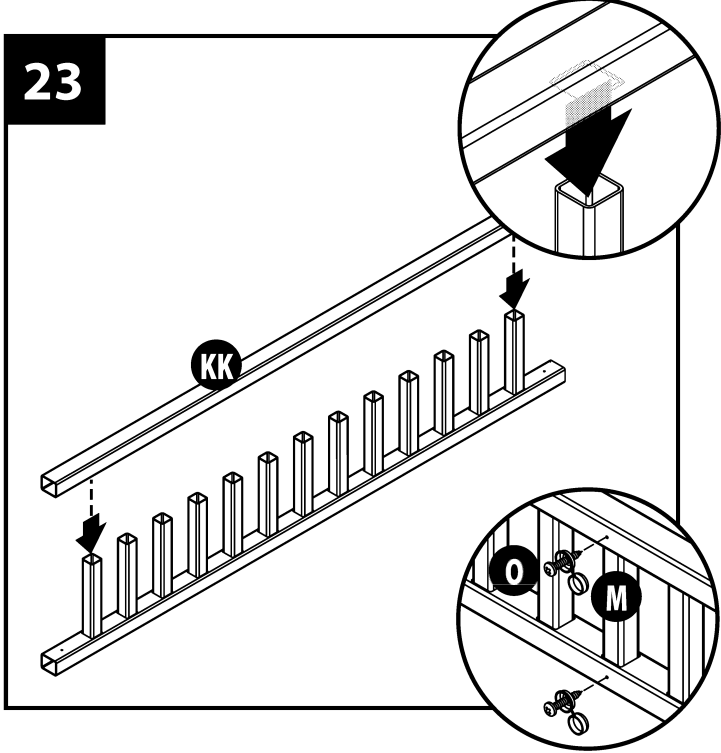
21

Repeat steps 19-20 for six remaining hand rail/floor rail sub-assemblies.

Place hand rail (matching spindles with square holes).
Note: Make sure pre-drilled holes on side of UU face the inside of gazebo.
Optional: After assembled, run a band of low tack tape around both ends of assembly. This will help hold rails together until they are used again.



Insert thirteen roof spindles into square lower roof rail holes.

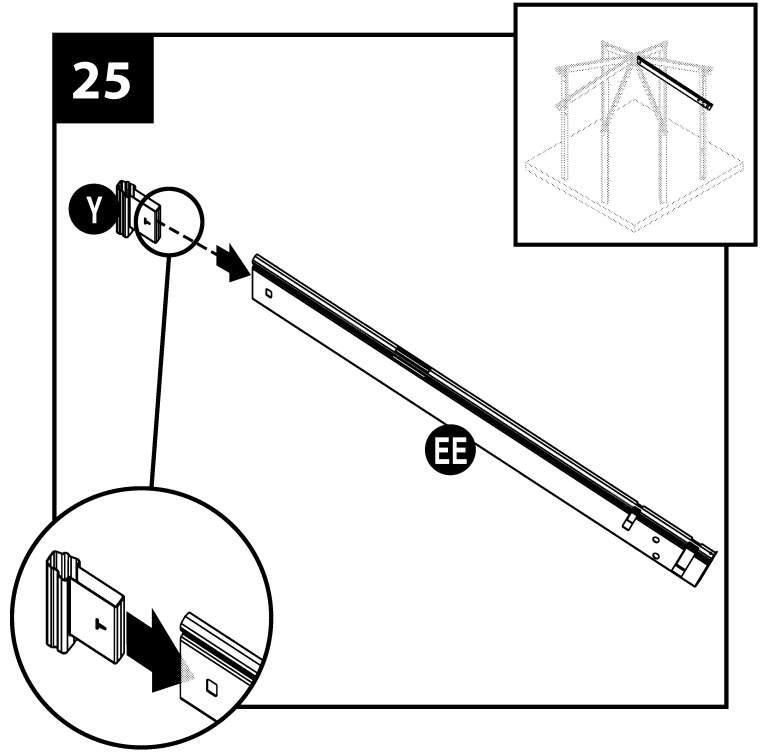


Place another lower roof rail (matching spindles with square holes). **Note:** Match orientation of bottom of roof rail. After assembly, insert a screw through screw cap and into rail at top and bottom of the center

24

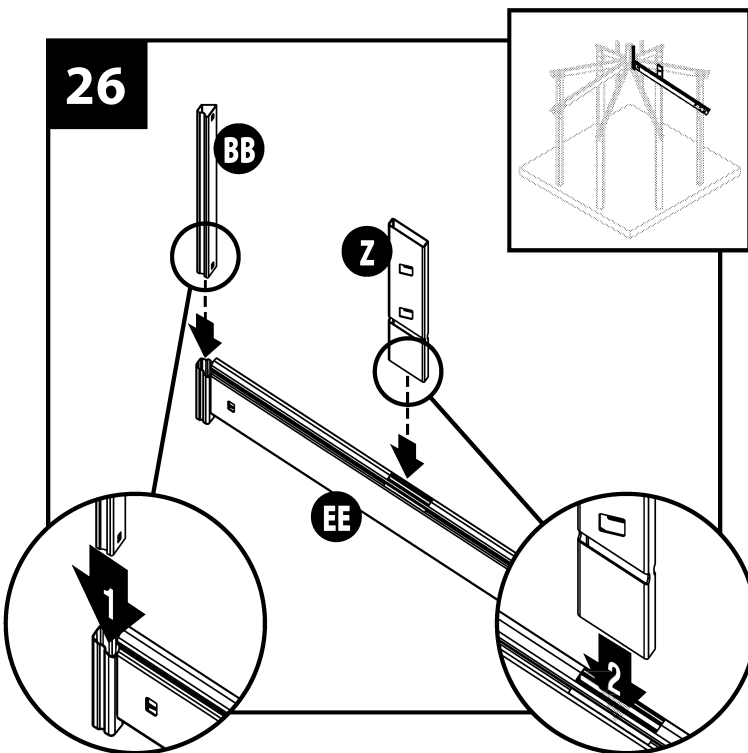
Repeat steps 22-23 for seven remaining bottom roof railings.

25



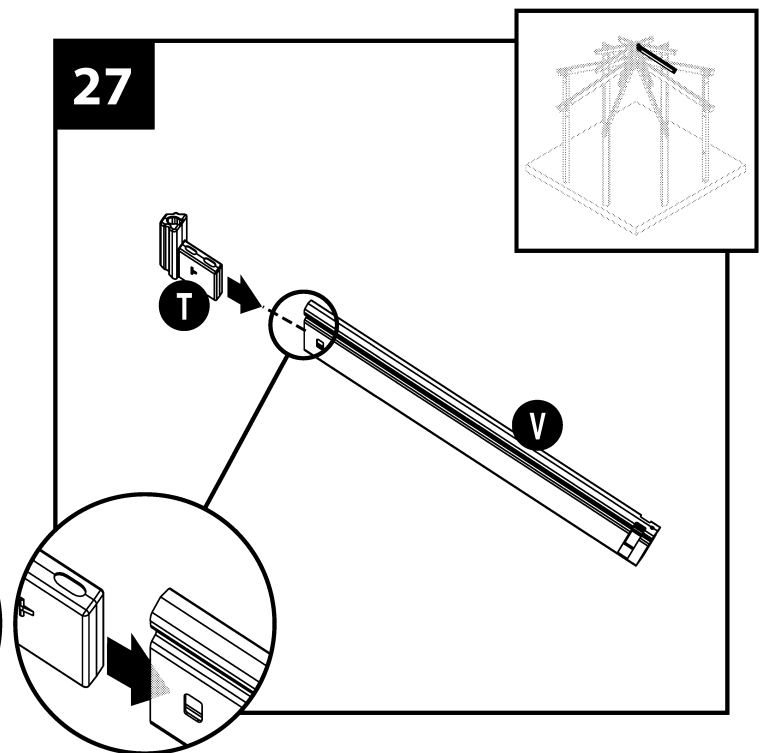
Snap lower rafter hub connector into place at angled end of lower roof rafter.

26

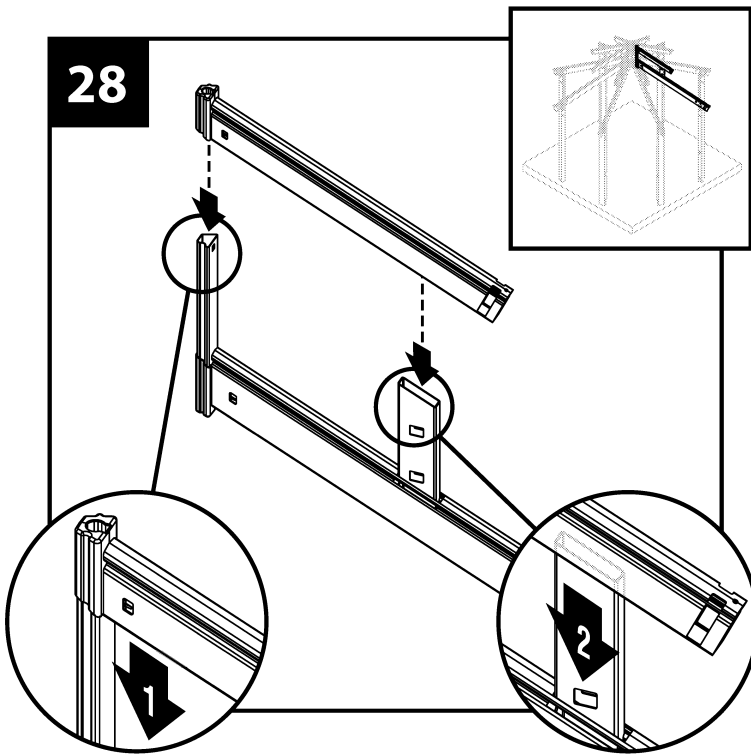


Snap center hub spacer into lower roof rafter hub connector. Add roof support post to lower roof rafter.

27

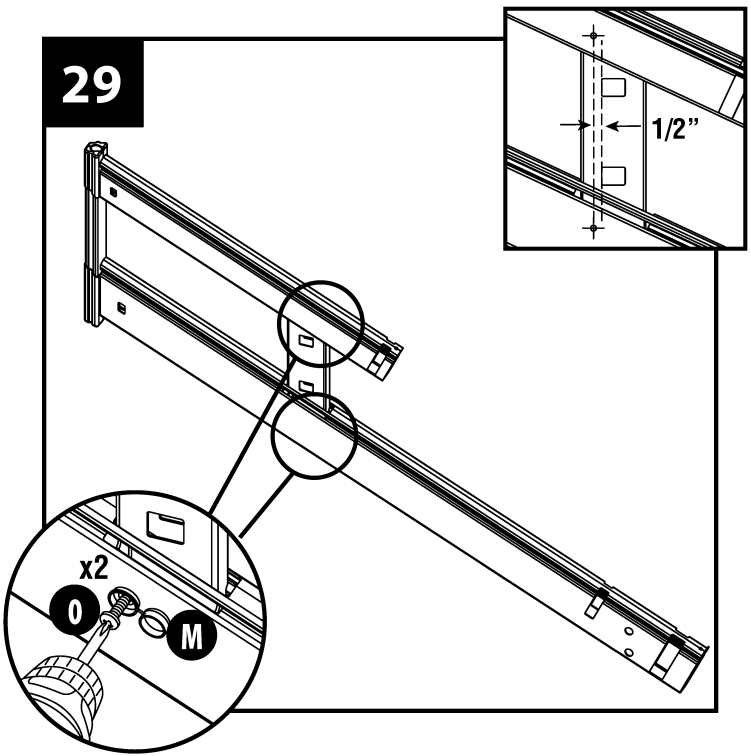


Snap upper rafter connector into place on angled side of upper roof rafter.



28

Snap upper rafter connector onto center hub spacer. Slide upper roof rafter into place over roof support post on lower roof rafter.

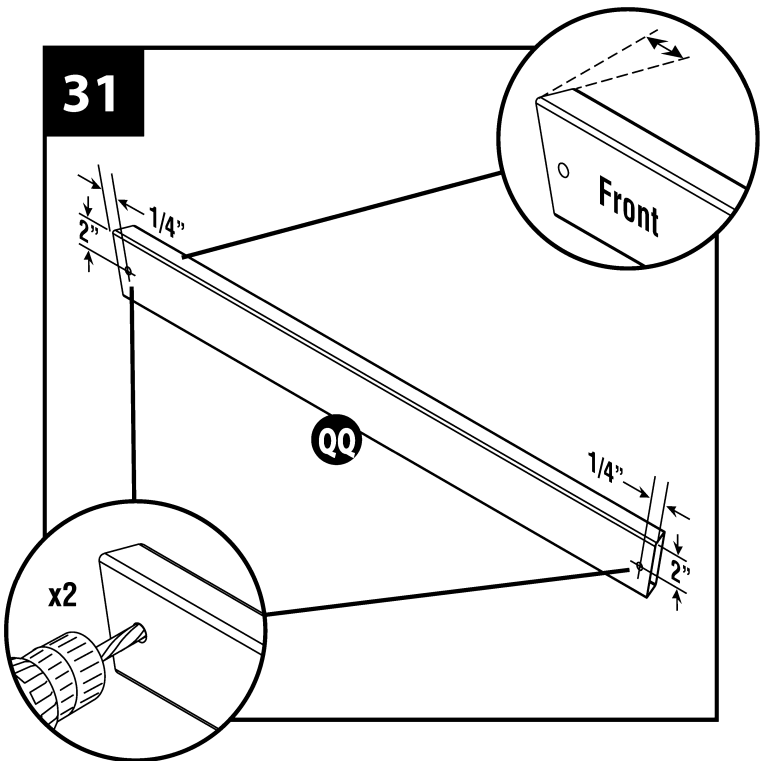


29

Secure roof support posts to upper and lower roof rafters using screws and screw caps.
Note: Make sure screw goes into the roof support post. Also, make sure the screws are placed about 1/2" behind the square railing holes.

30

Repeat steps 25-29 for seven remaining roof rafters.



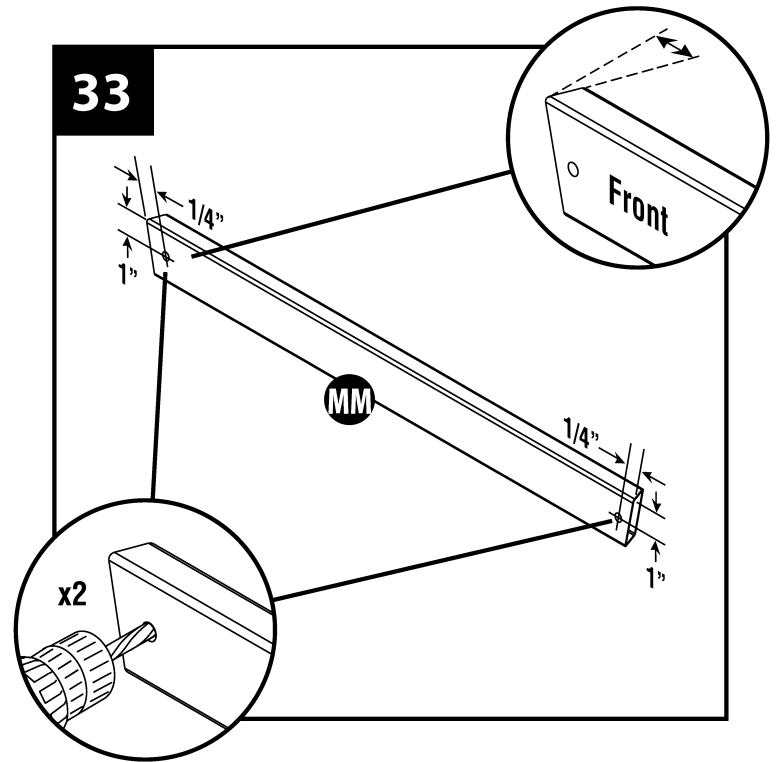
31

Pre-drill two 1/8" holes into lower roof fascia.
Note: Make sure to drill into the front face of the fascia (largest surface).

32

Repeat step 31
for seven remaining
lower roof fascia.

33



Pre-drill two 1/8" holes into upper roof fascia.
Note: Make sure to drill into the front face of the fascia (largest surface).

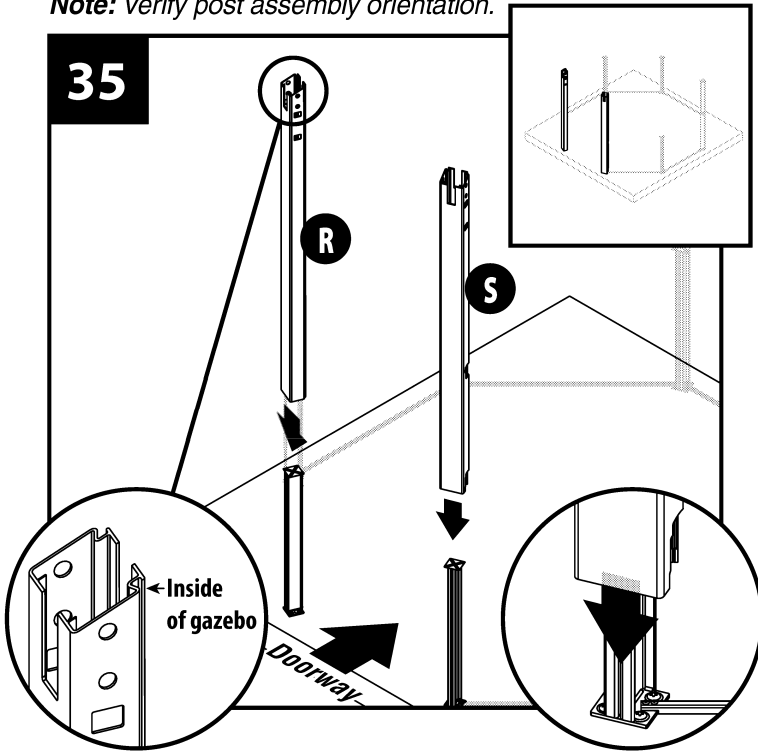
34

Repeat step 33
for seven remaining
upper roof fascia.

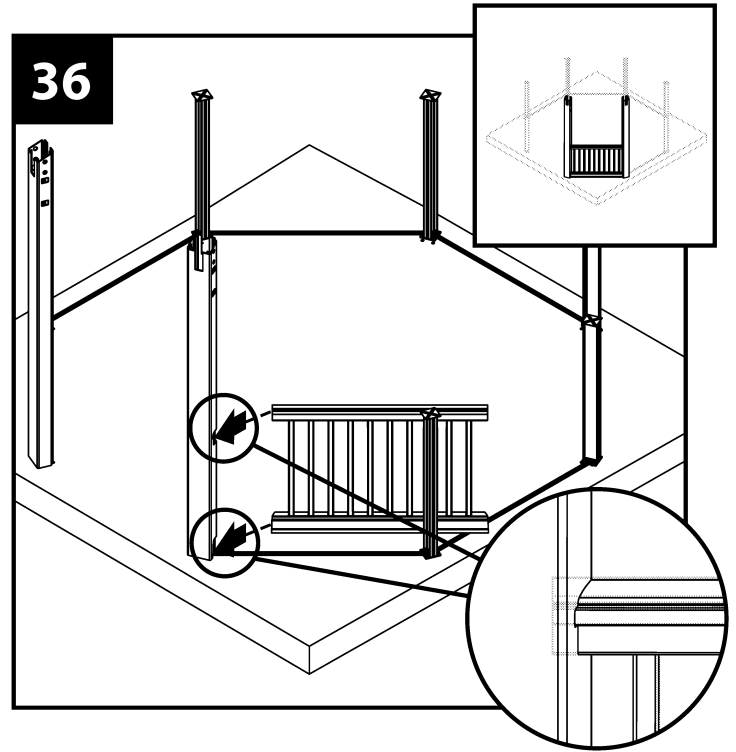
Parts pre-assembly has
now been completed.
Before starting gazebo
assembly, allow adequate
time for completion of
assembly (about 6 hours).
Some steps will require
more than one person
to complete.

Gazebo Assembly

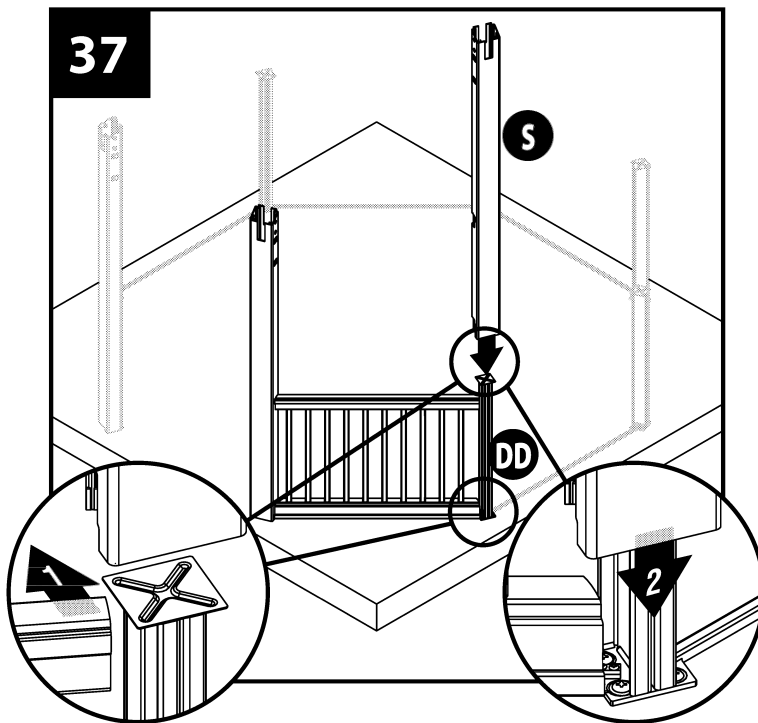
Note: Verify post assembly orientation.



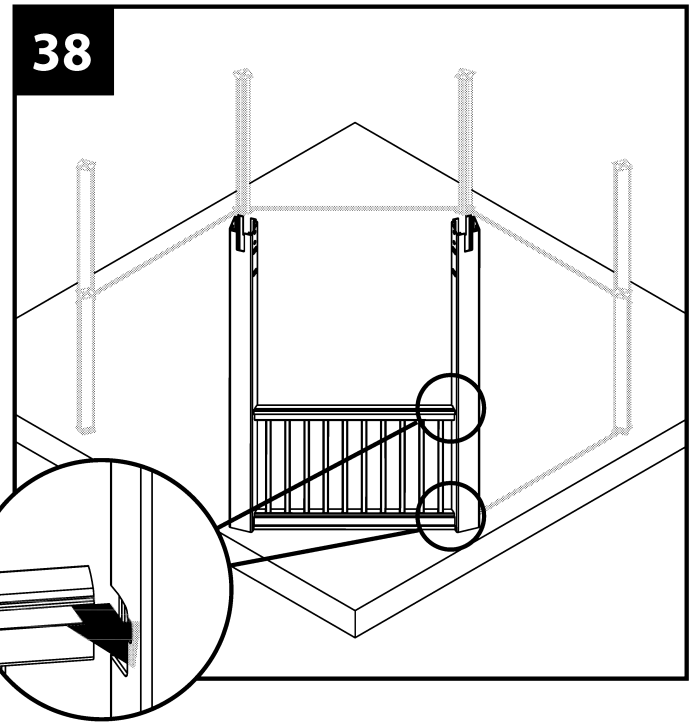
Determine doorway location. Place left and right doorway posts over steel posts, making sure that hand rail holes face away from doorway.



Remove low tack tape and line up railing assembly with the hole locations in post and insert.
Note: Make sure pre-drilled holes on side of QQ and UU face the inside of gazebo.
Note: The angle of floor rail matches angle of steel post (floor rails will straddle threshold channels).



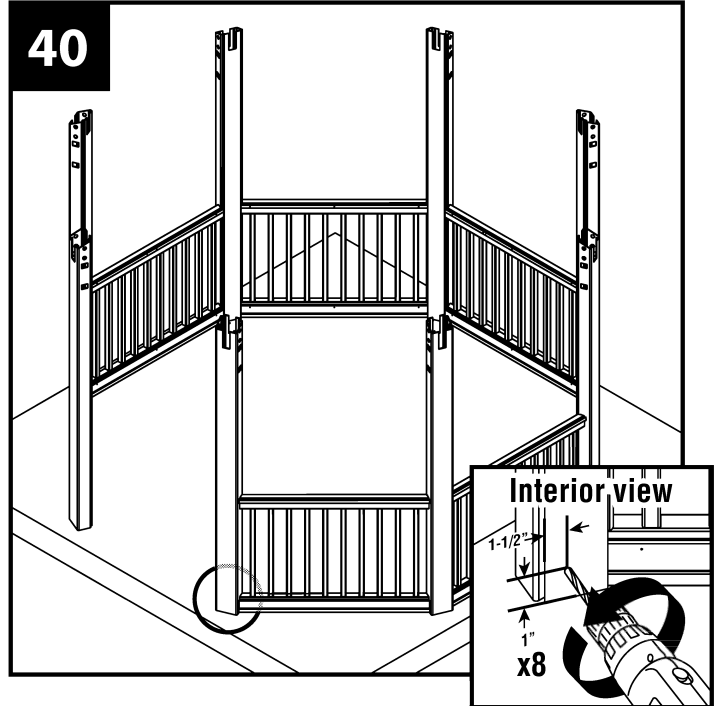
Slide post over steel post. Pull hand rail slightly inward to allow the post to drop over steel post, threshold channel, and floor rail.



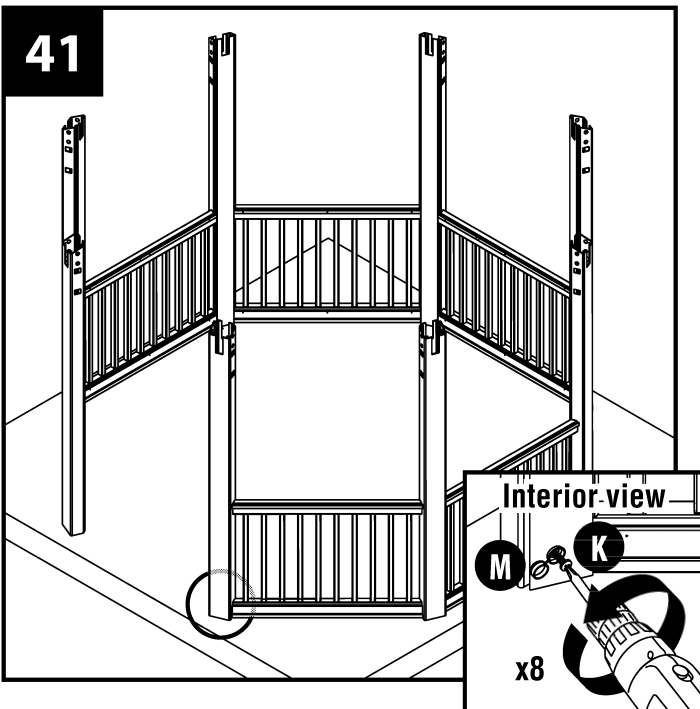
Move hand rail forward into post opening.

39

Repeat steps 36-38 for six remaining posts and assembled hand rails.

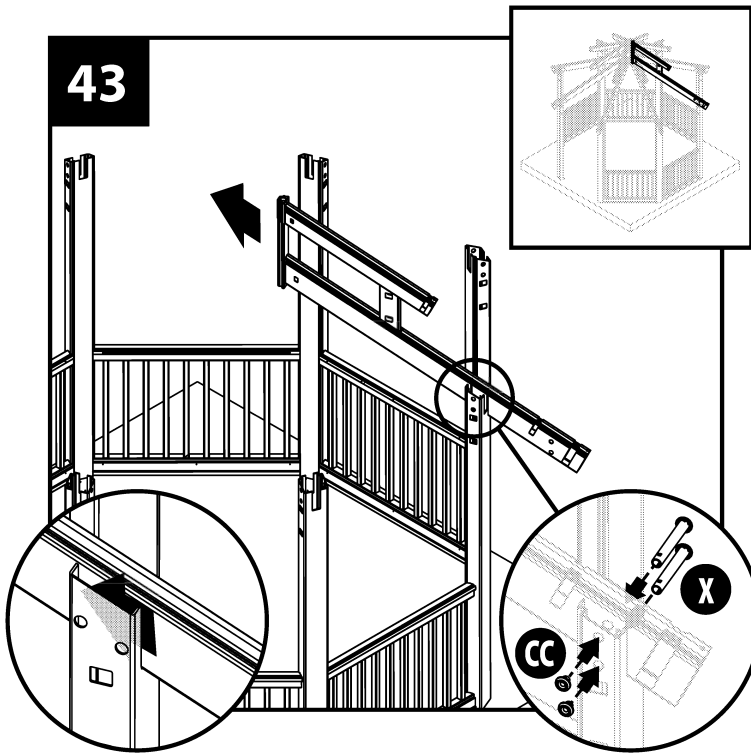
40

From the interior of the gazebo, pre-drill 1/8" hole through each of the eight posts and into steel posts (inner flat sides of steel posts).

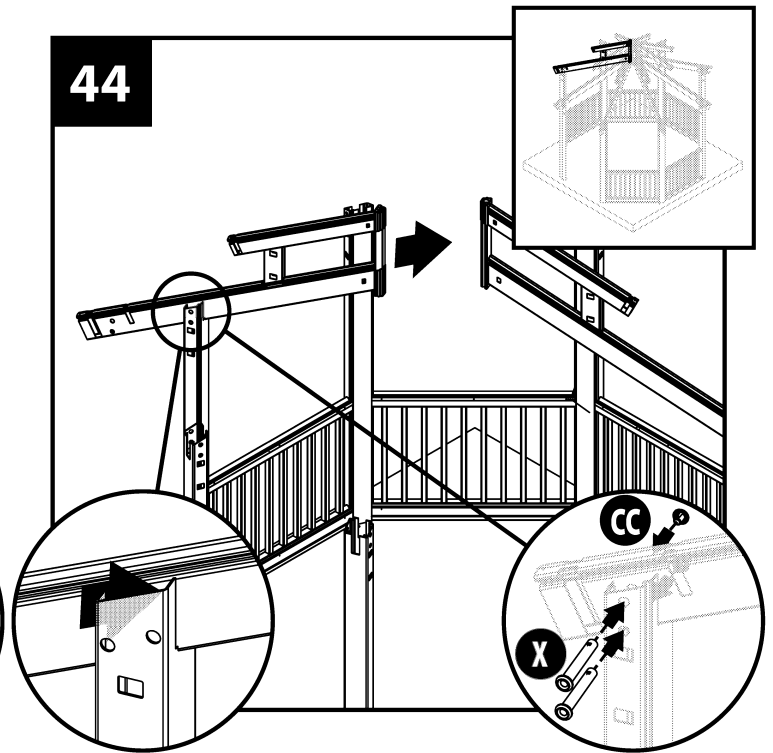
41**42**

For steps 43-47, have one person stand on an 8' ladder in the center of foundation and another person on a 6' ladder next to the post you are working with. The extra height will make it easier to assemble parts.

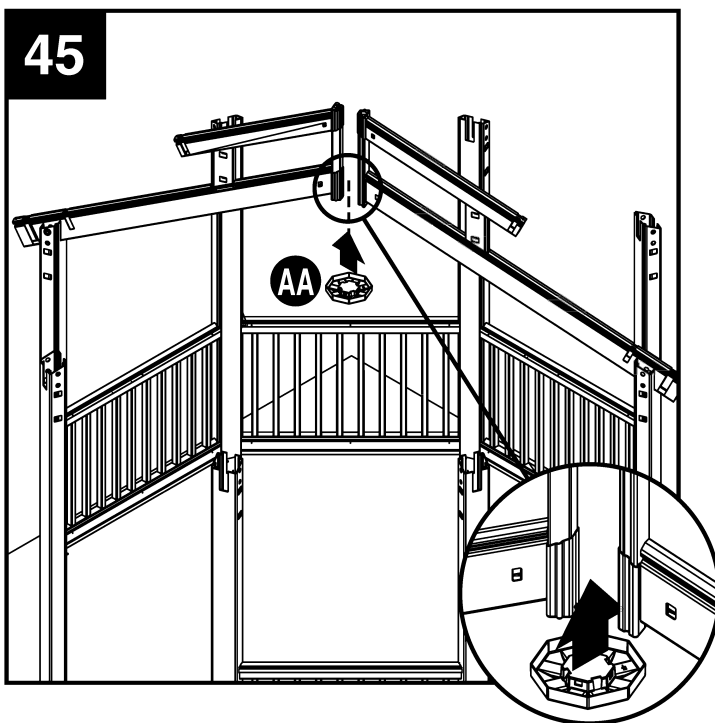
Secure all posts with screws and screw caps in pilot holes.



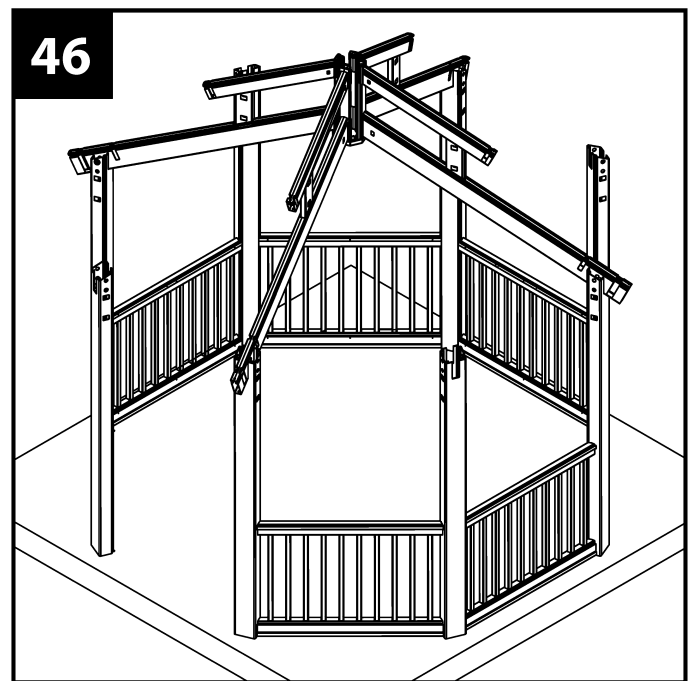
Slide one rafter assembly up through post notch and into position. Secure with two dowel pins and dowel pin plugs. (If necessary, use a rubber mallet to ensure tips of dowel pins exit other side of post.) The person on 8' ladder will need to support rafter assembly.



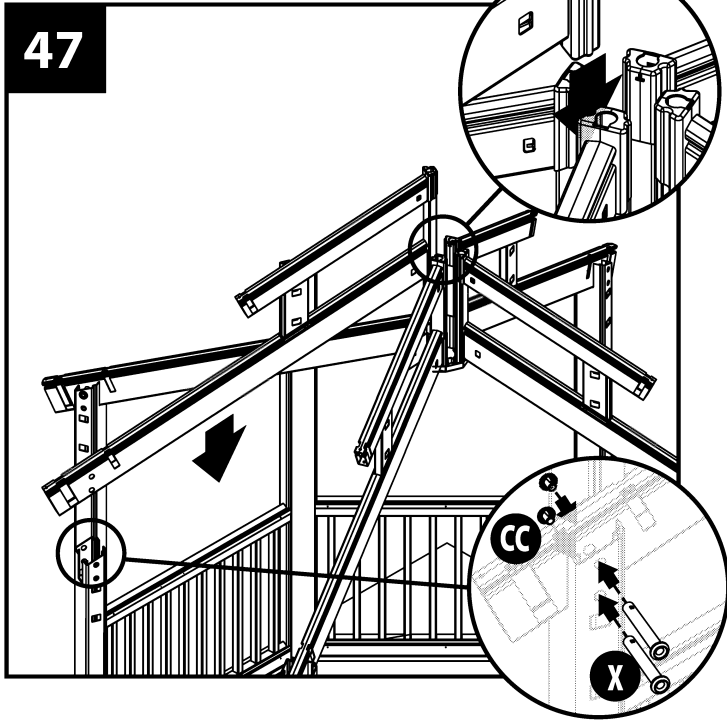
Slide opposite rafter assembly up through post notch and into position. Secure with two dowel pins and dowel pin plugs. (If necessary, use a rubber mallet to ensure tips of dowel pins exit other side of post.) Make sure to support rafters after assembling.



Snap bottom hub connector onto rafter connectors, making sure to insert the first rafter connections into the smaller snap holes in bottom hub connector.
Note: The hub connector will only engage on alternating rafter assemblies. **DO NOT** remove sticker from center of bottom hub connector at this time.



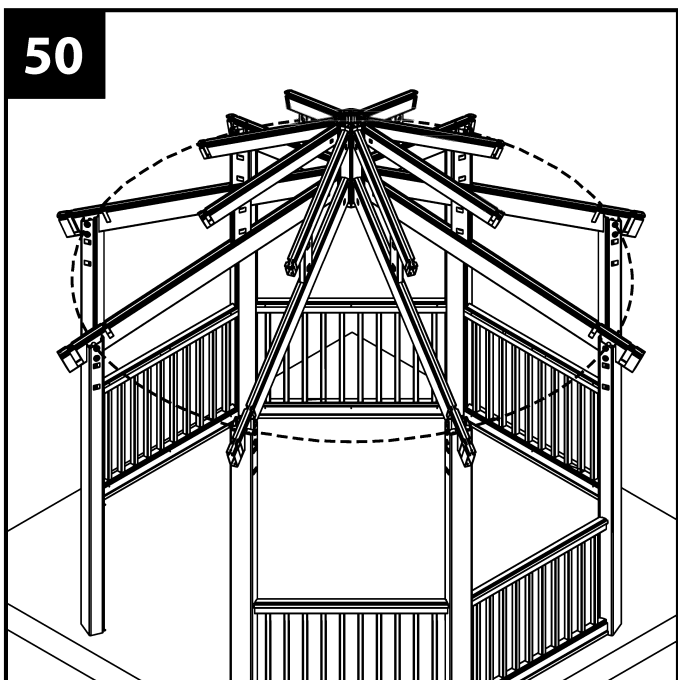
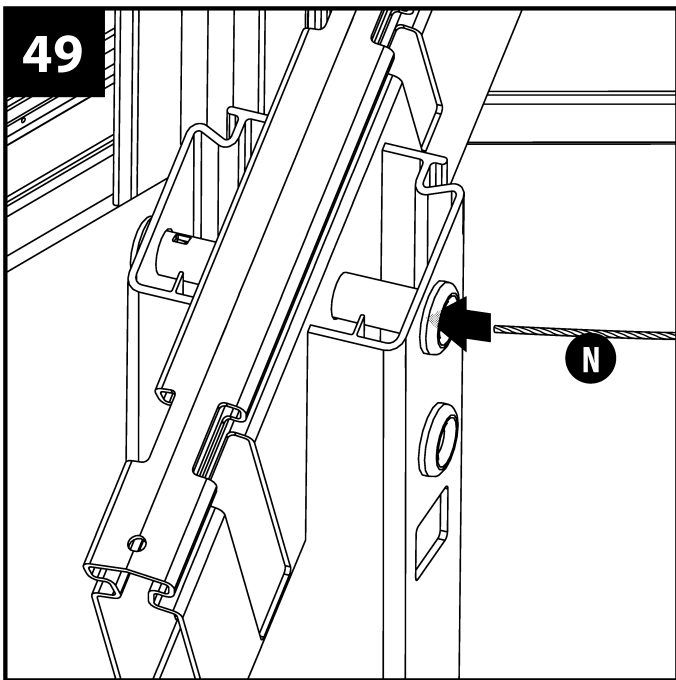
Repeat steps 42-44 for two perpendicular rafter assemblies.



48

Repeat step 47 for remaining three rafter assemblies.

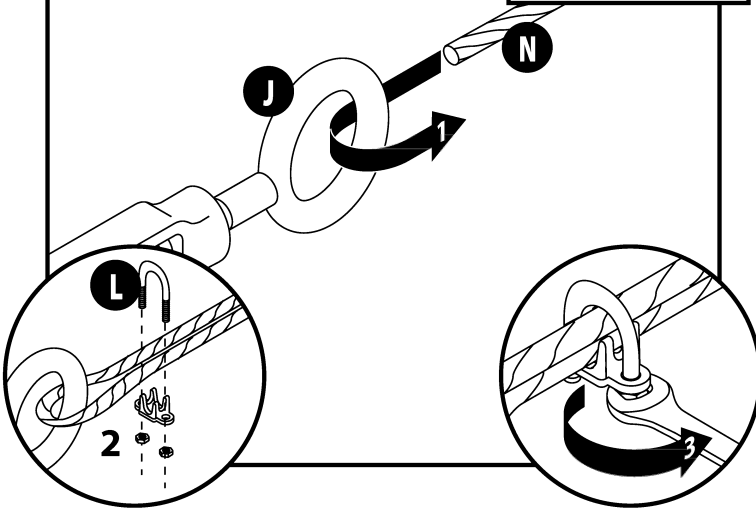
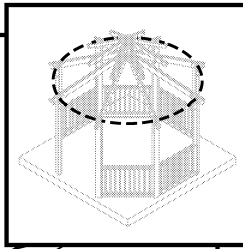
Lift fifth rafter assembly 6" above installed rafters. Slide connector down into place along grooves. Secure lower end of rafter with two dowel pins and dowel pin plugs. (If necessary, use a rubber mallet to ensure tips of pins exit other side of post).



Thread turnbuckle cable through one upper dowel pin.

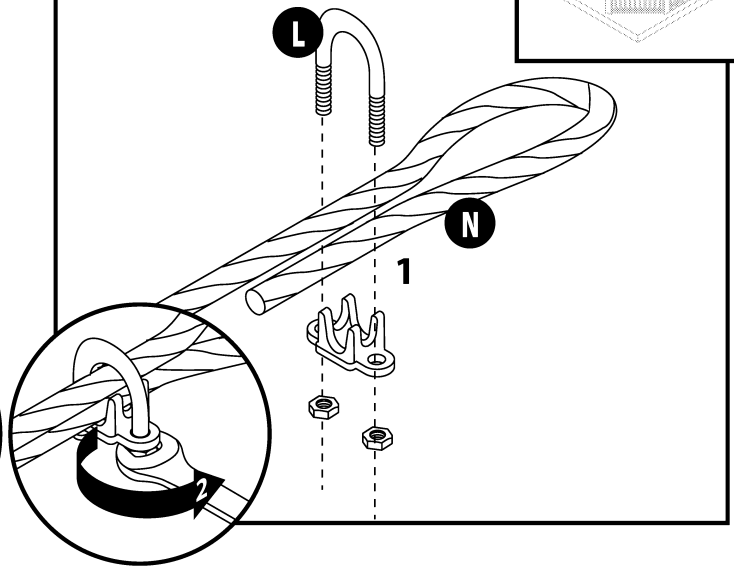
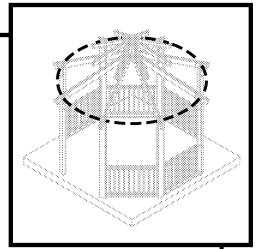
Continue to thread turnbuckle cable through upper, inner most dowel pins, between posts and rafters (to stabilize assembly). When threading turnbuckle cable, make sure dowel pins stay in position. If dowel pins move out of position, tap them back into place using a rubber mallet.

51

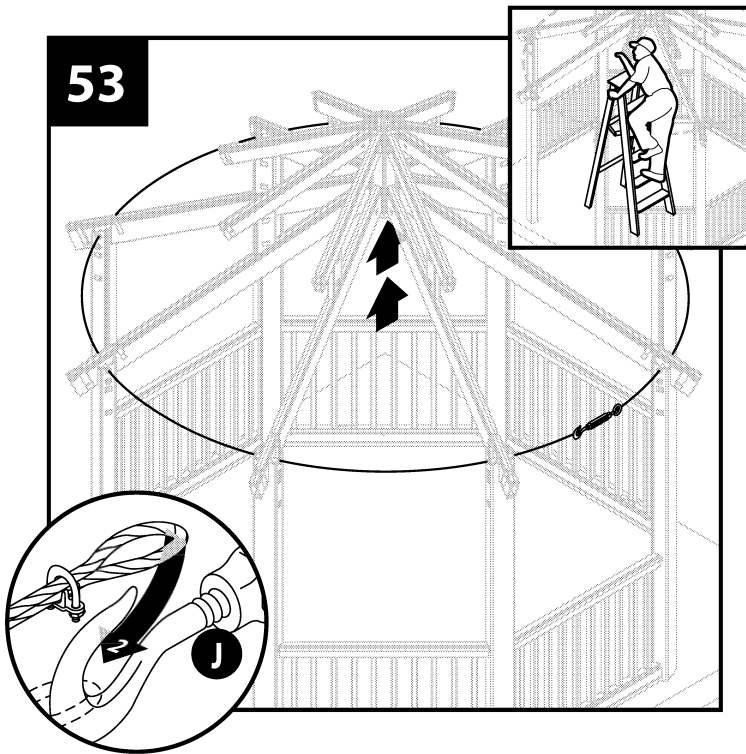


Loop cable through turnbuckle eyelet. Put clamp on cable. Use wrench to tighten nuts.

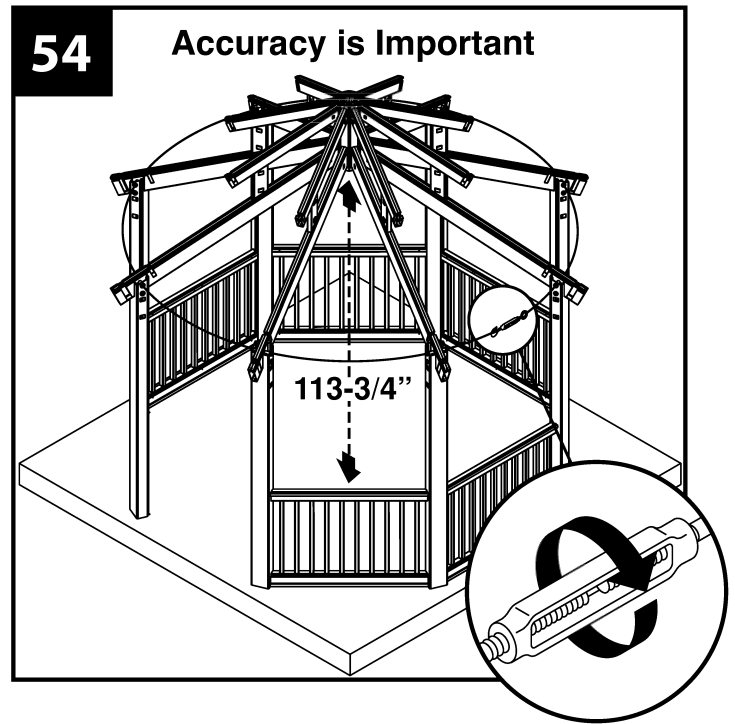
52



Put clamp on remaining end of cable. Use wrench to tighten nuts. There will be excess cable. **DO NOT** remove excess cable at this time.



Position one person on ladder at center of gazebo. This person is to push upwards on bottom hub connector and hold it in an elevated position while the second person places looped cable end over turnbuckle hook.



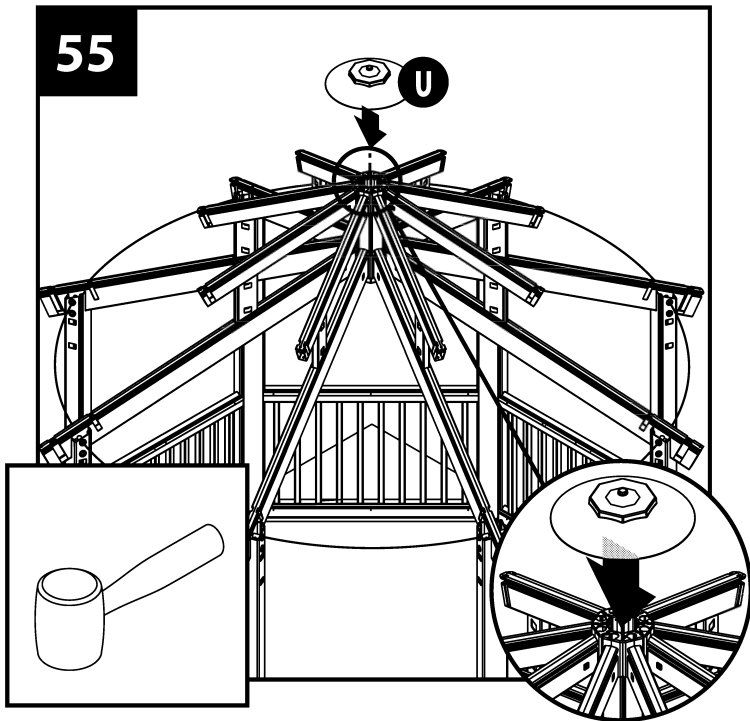
Check that the distance from the sticker on the center of the bottom hub connector to the floor is 113-3/4". If distance is not 113-3/4" adjust the turnbuckle until it is. When adjusting the turnbuckle make sure that the dowels stay in position.

If the 113-3/4" measurement is not achievable by adjusting the turnbuckle, position one person on a ladder at center of gazebo to push up on bottom hub connector and hold it in an elevated position while a second person loosens and relocates the clamps on the cable to achieve the 113-3/4" measurement.

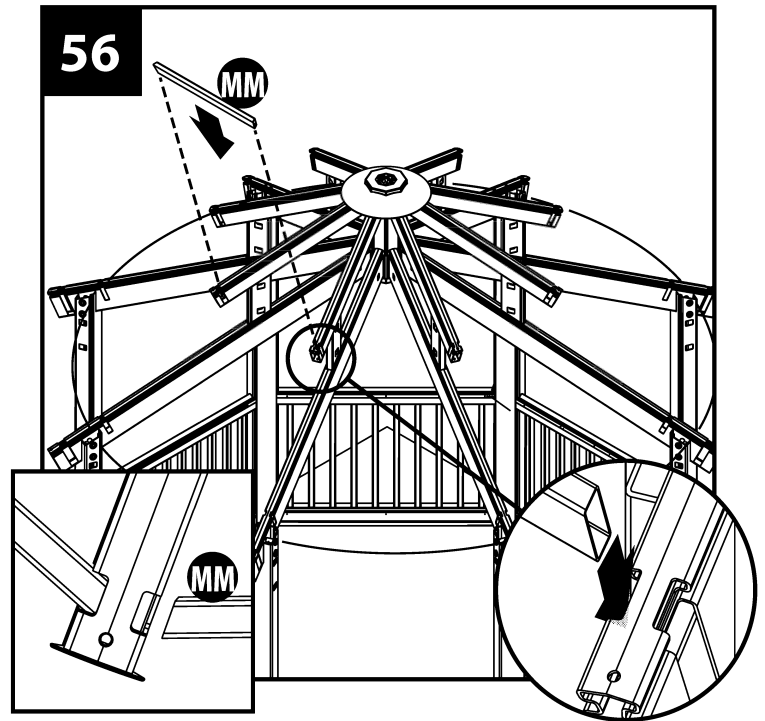
The 113-3/4" measurement must be achieved by the tension of the cable alone **WITHOUT** anyone holding the bottom hub connector in the elevated position. This is important for ensuring roof panels fit properly in the following steps.

Repeat this process until the 113-3/4" measurement is achieved.

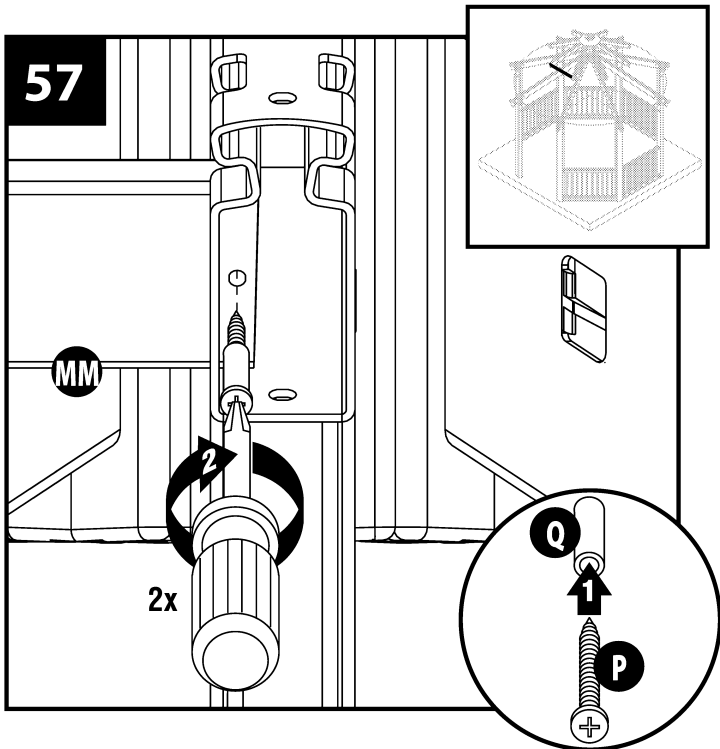
DO NOT proceed to next step without achieving the 113-3/4" measurement.



Make sure the tops of all roof rafters are even at top. Using a rubber mallet, attach top cap onto upper roof rafter connectors. Top cap must be tapped evenly into place all around in order to engage all snaps. Verify that the top cap is level and snapped into all four locations.



Insert one upper roof fascia board between upper roof rafters. Make sure longer side of roof fascia board is facing front.

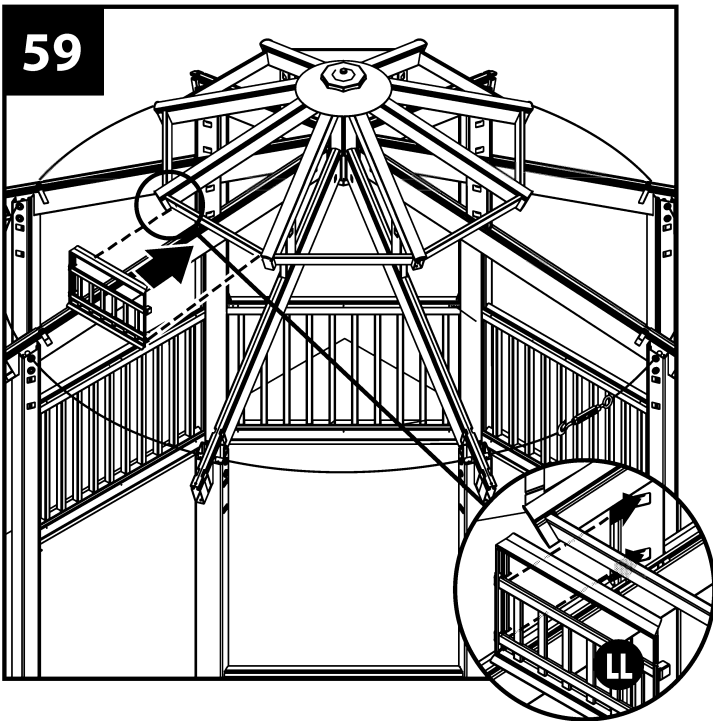


Place one nylon spacer over one screw. Looking inside the open end of the rafter, locate the pre-drilled hole in the upper roof fascia. Using a manual phillips head screwdriver, screw the screw into pre-drilled holes in upper roof fascia. Repeat process for second hole in opposite side of upper roof fascia.

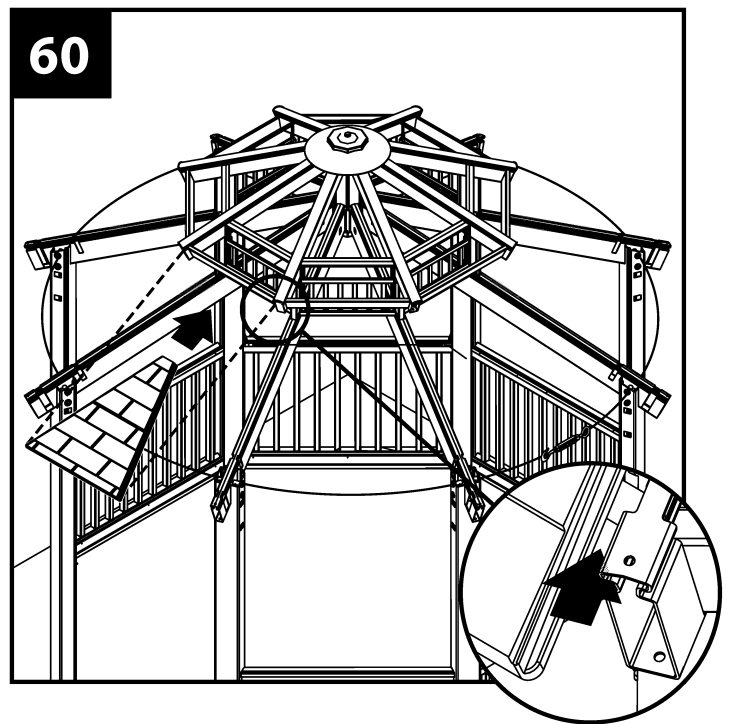
58

Repeat steps 56-57 for remaining seven top roof fascia boards.

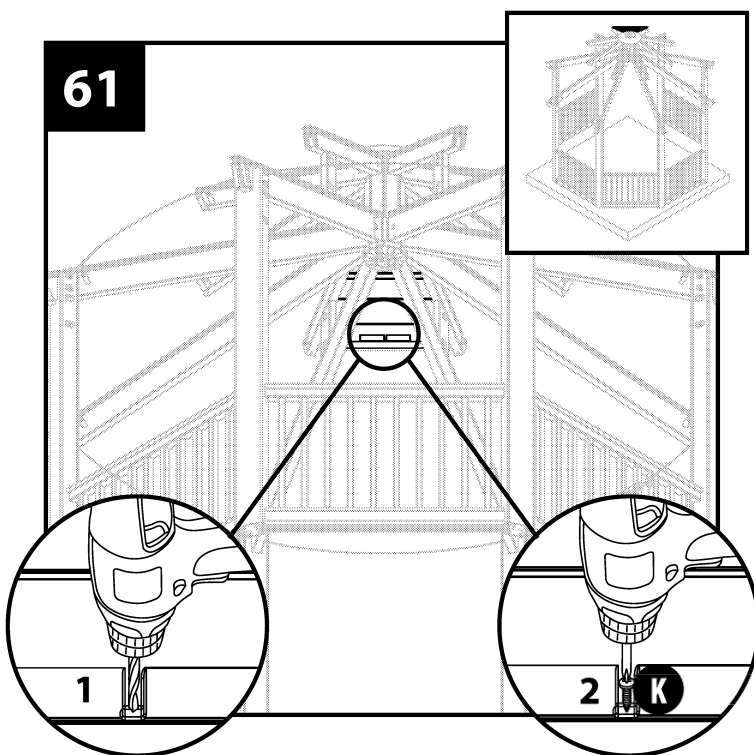
DO NOT proceed to next step until step 58 is complete.



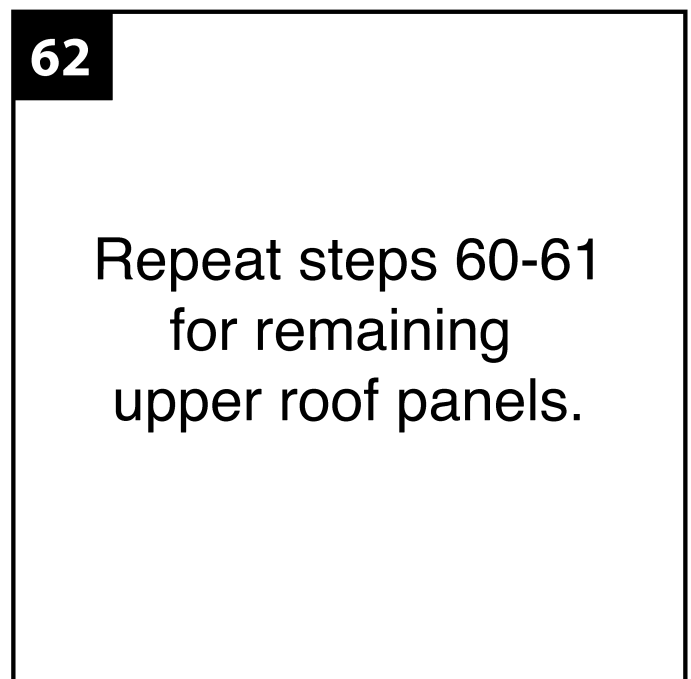
Insert one pre-assembled upper screen holder in each opening between top roof support posts.

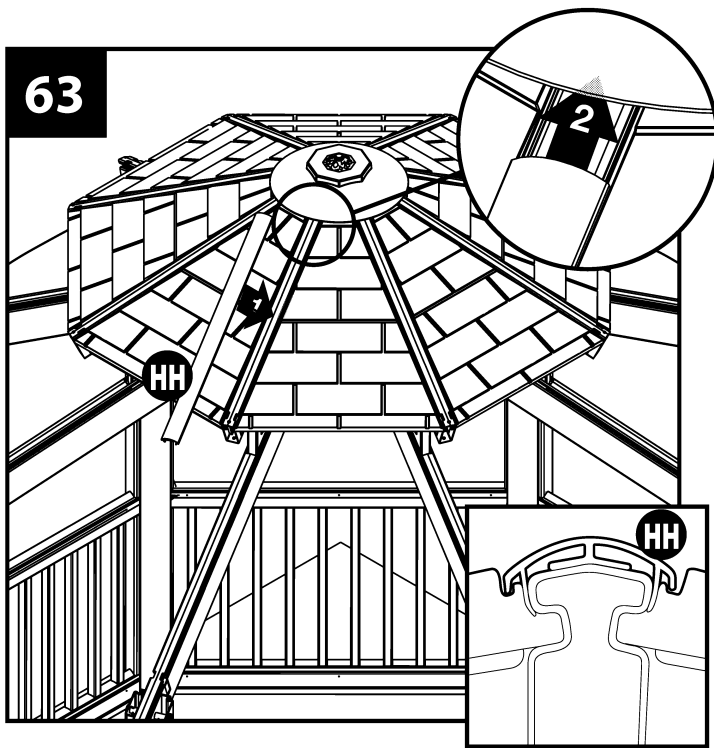


Take one pre-assembled upper roof panel and slide over fascia boards along rafter groove and under top cap. Make sure roof panel is fully engaged on inside of fascia boards.



Ensure fascia board is centered between rafters and pre-drill 1/8" hole. Apply light pressure to top of roof panel and secure upper roof panel to fascia board with screw.

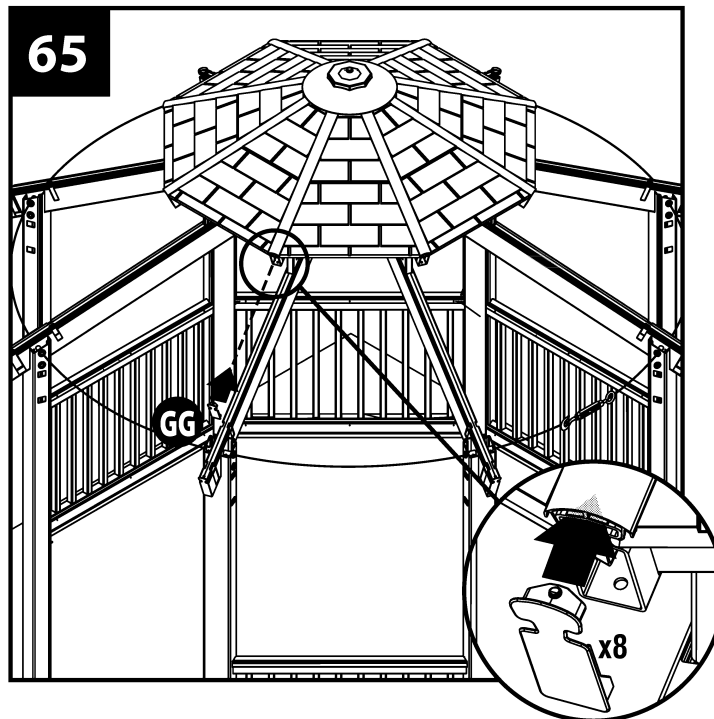




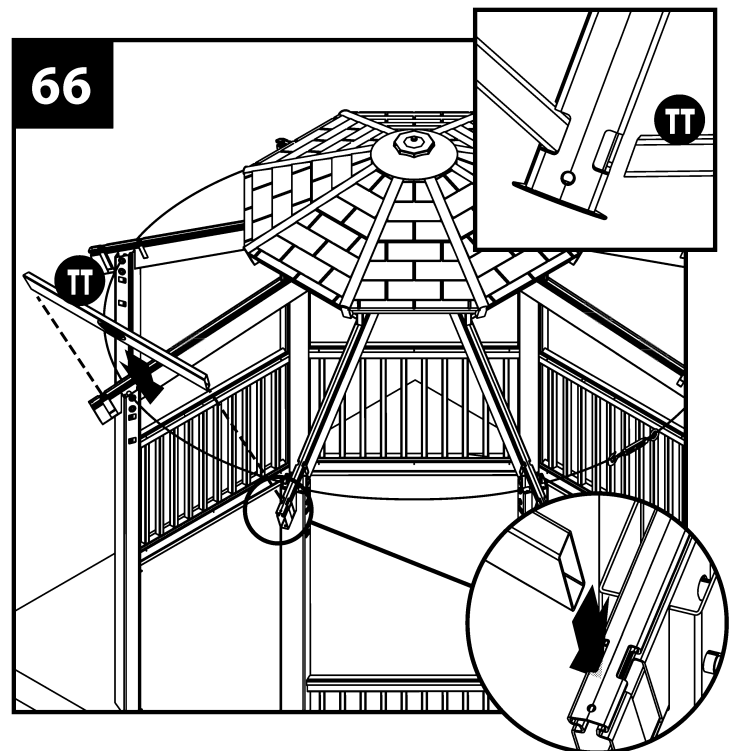
Position one roof weather strip 3/4 of the way up on upper roof rafter so it extends past mid-roof seam and press down into place. Slide up under top cap until flush with end of upper roof rafters. Make sure that sides of weather strip wrap around rafter and into channels of roof panels. If necessary use a rubber mallet to tap weather strip flush to end of rafter.

64 Repeat step 63 for remaining seven weather strips.

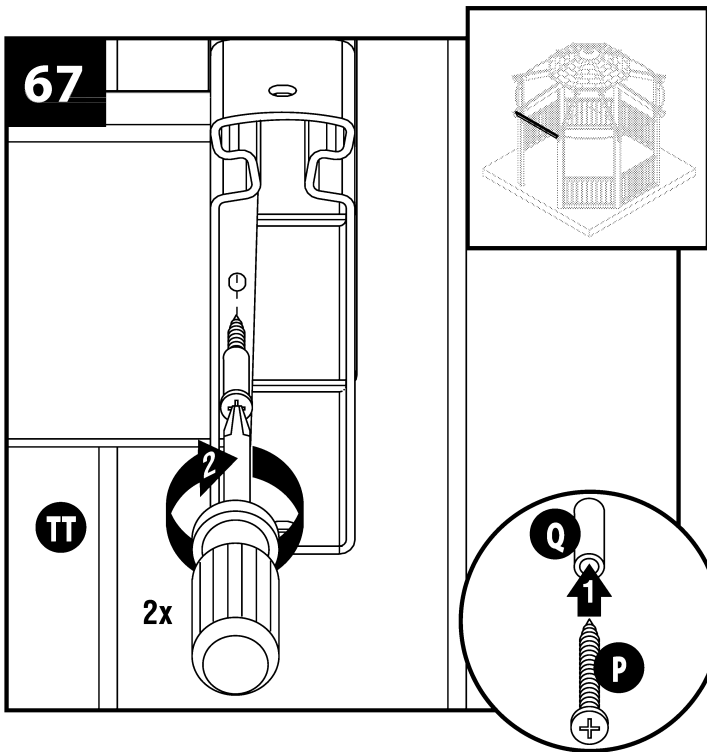
Repeat step 54 to verify 113-3/4" measurement. Measurement is critical for proper roof panel fit. Adjust cable if necessary.



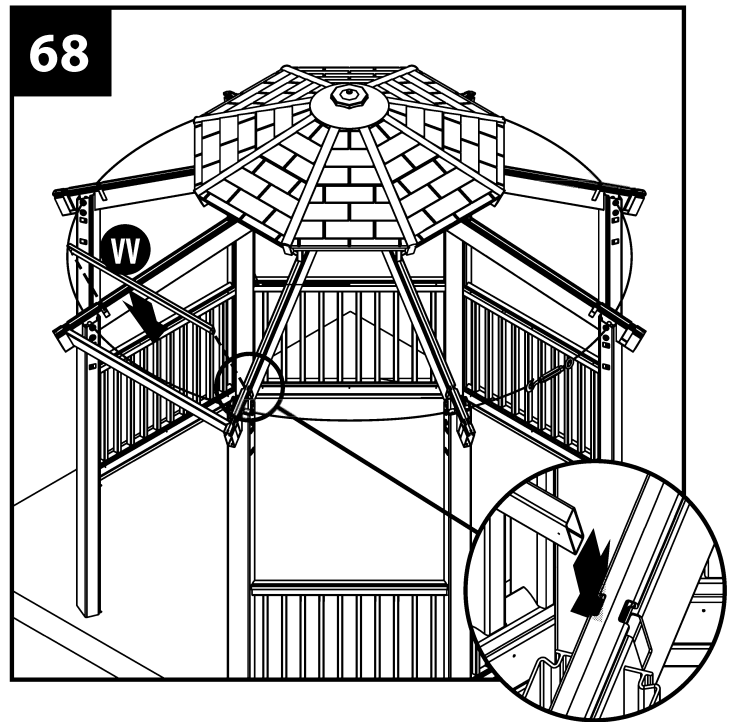
Snap one upper roof end cap onto end of each upper roof rafter.



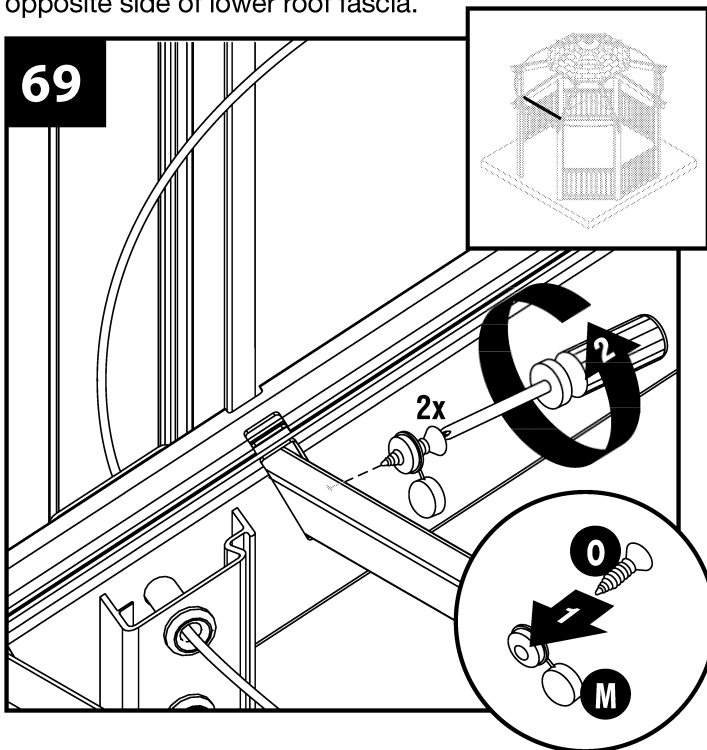
Insert doorway lower roof fascia board into place between doorway posts.



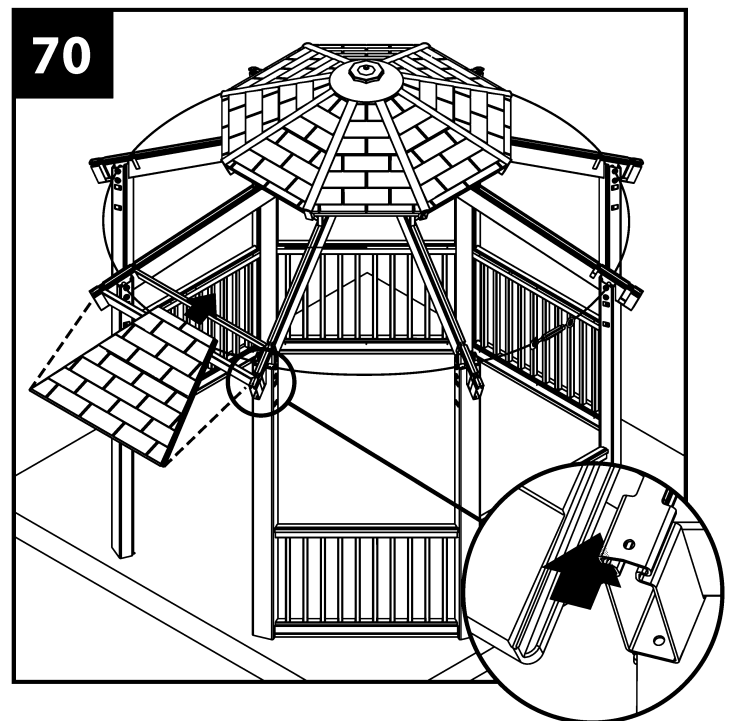
Place one nylon spacer over one screw. Looking inside the open end of the rafter, locate the pre-drilled hole in the lower roof fascia. Using a manual phillips head screwdriver, screw the screw into pre-drilled holes in upper roof fascia. Repeat process for second hole in opposite side of lower roof fascia.



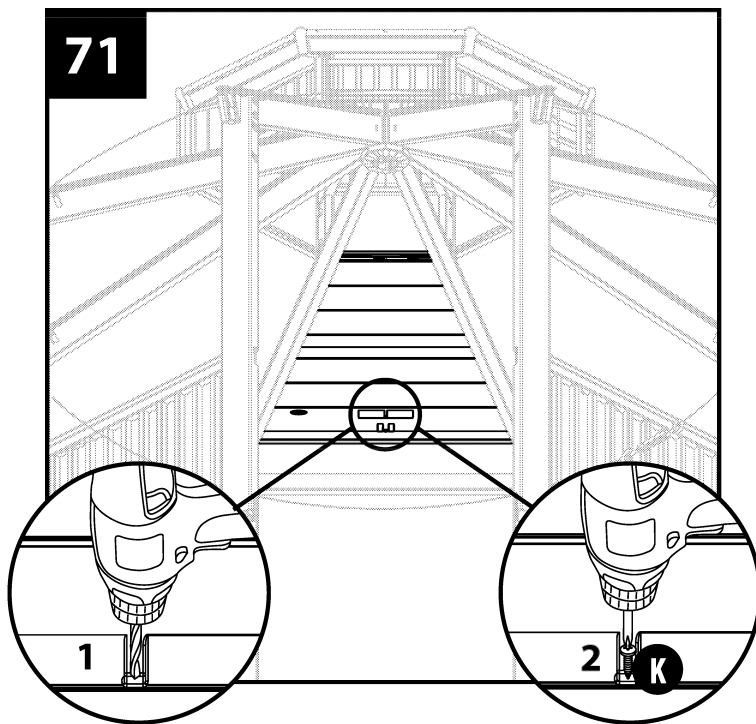
Insert mid-roof support into place.



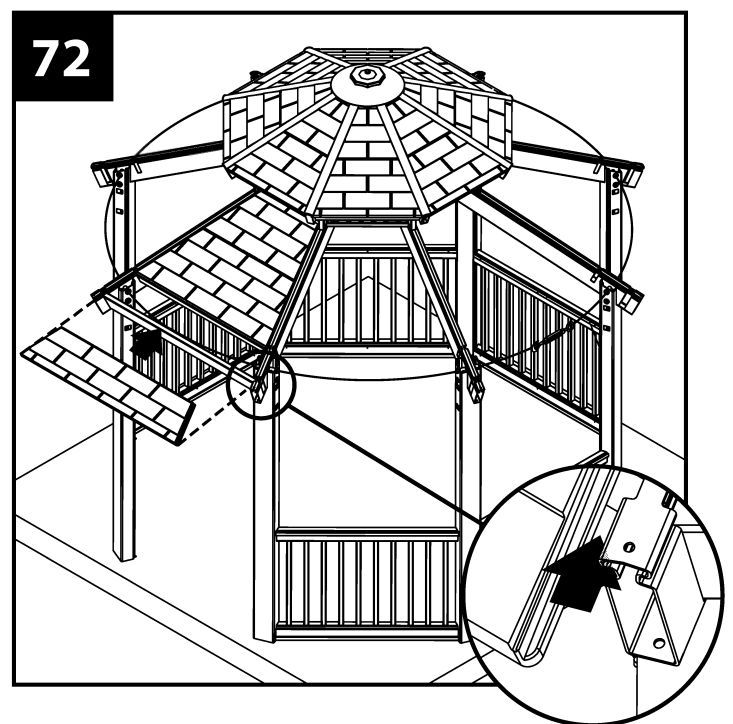
Insert flathead screw through cap and screw into pre-drilled holes on each side of mid-roof support.



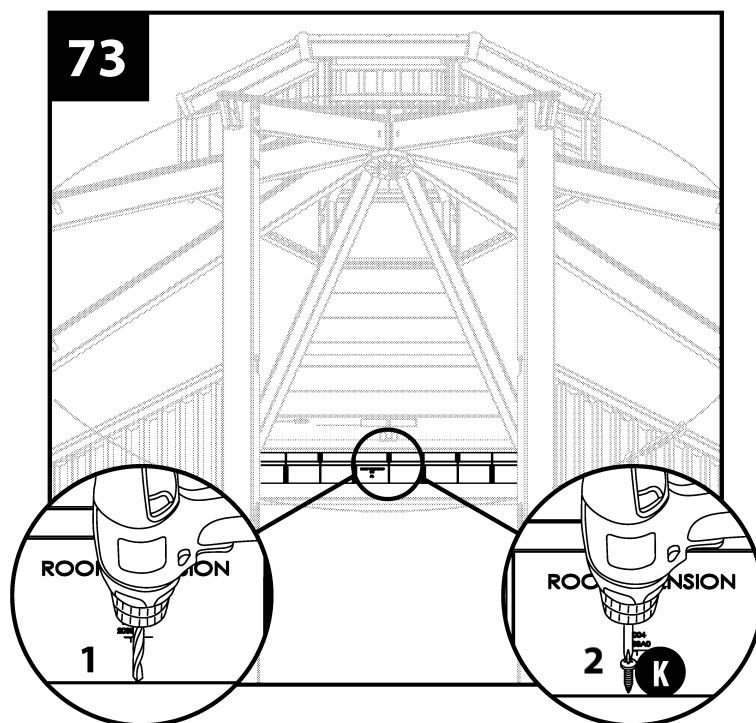
Take one pre-assembled lower roof panel and slide over mid-roof support along the rafter groove. Make sure lower roof panel is fully engaged on inside of mid-roof support. The tab on the underside of the roof panel must slide over and inside the mid-roof support.



71 Ensure mid-roof support is centered between rafters and pre-drill 1/16" hole. Apply light pressure to top of roof panel and secure lower roof panel to lower roof fascia board with screw.



72 Take one pre-assembled lower roof extension panel and slide over lower fascia board along the rafter groove. Make sure lower roof extension panel is fully engaged on inside of lower fascia boards. The tab on the underside of the lower roof extension panel must slide over and inside the fascia.



73 Ensure fascia board is centered between rafters and pre-drill 1/16" hole. Apply light pressure to top of roof panel and secure lower roof extension panel to lower roof fascia board with screw.

74 Repeat steps 66-73 for remaining seven lower roof fascia boards, mid roof support boards, lower roof panels and lower roof extension panels.

If rafter opening is too tight for last roof panel to be inserted – **DO NOT** force in place. Loosen turnbuckle slightly to allow final panel to be inserted.

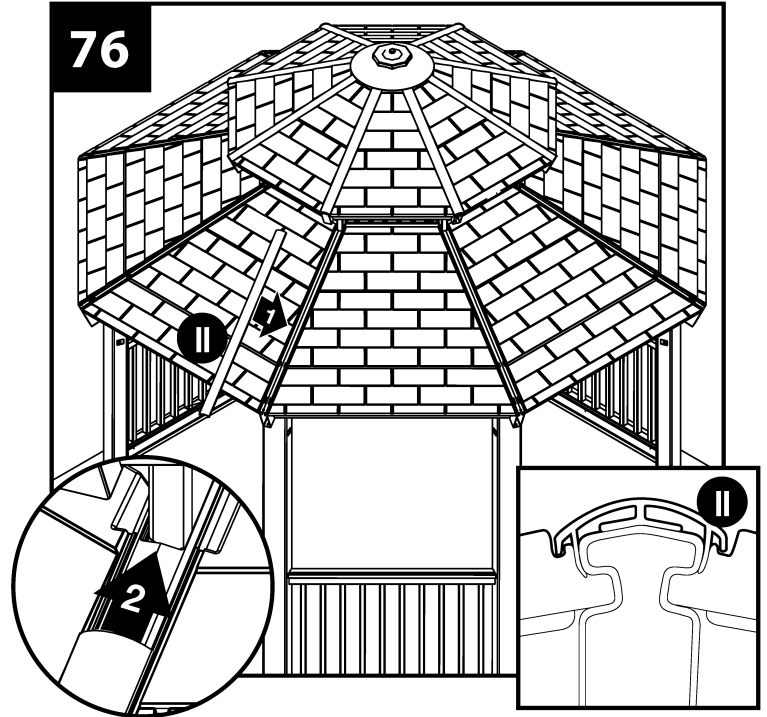
If rafter opening is too wide for last roof panel to be inserted, tighten turnbuckle to allow final panel to be inserted.

When all lower roof fascia boards and lower roof panels are in place repeat Step 54 to verify 113-3/4" measurement.

Verify top cap is still level and that all four snaps are engaged. This is important as the top cap holds the rafters together and affects spacing for the roof panels.

75

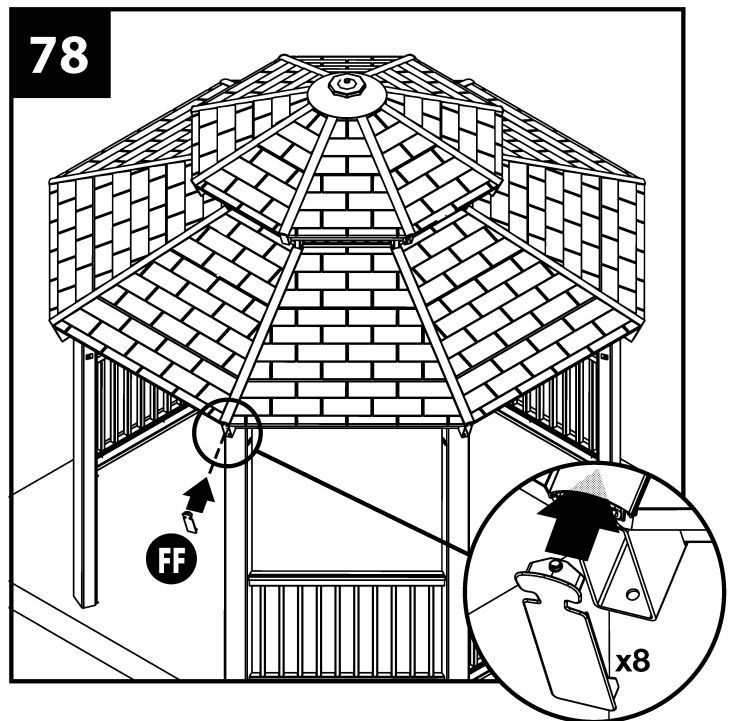
DO NOT proceed to next step until step 74 is complete.

76

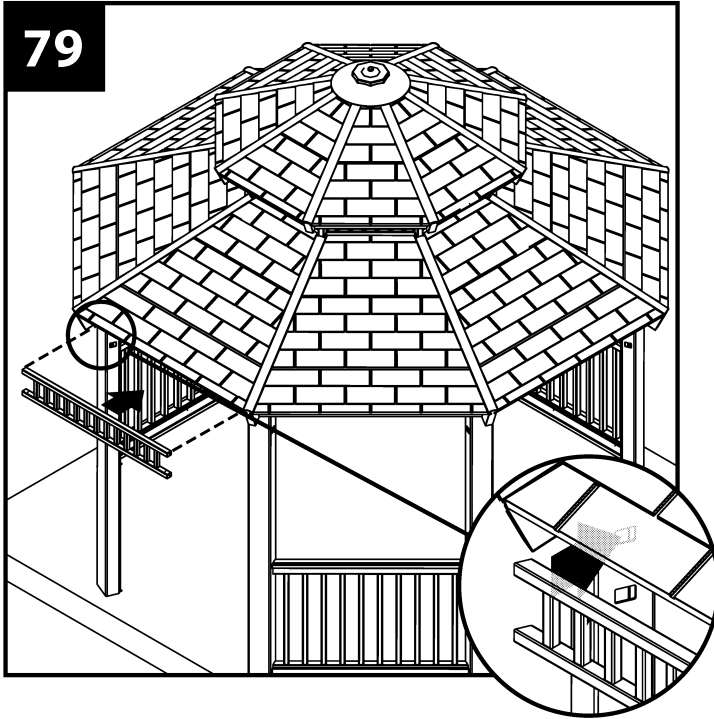
Position one long roof weather strip 3/4 of the way up on lower roof rafter so it extends past mid-roof seam and press down into place. Slide up until flush with end of upper roof rafter. Make sure that sides of weather strip wrap around rafter and into channels of roof panels. If necessary, use rubber mallet to tap weather strip flush to end of rafter.

77

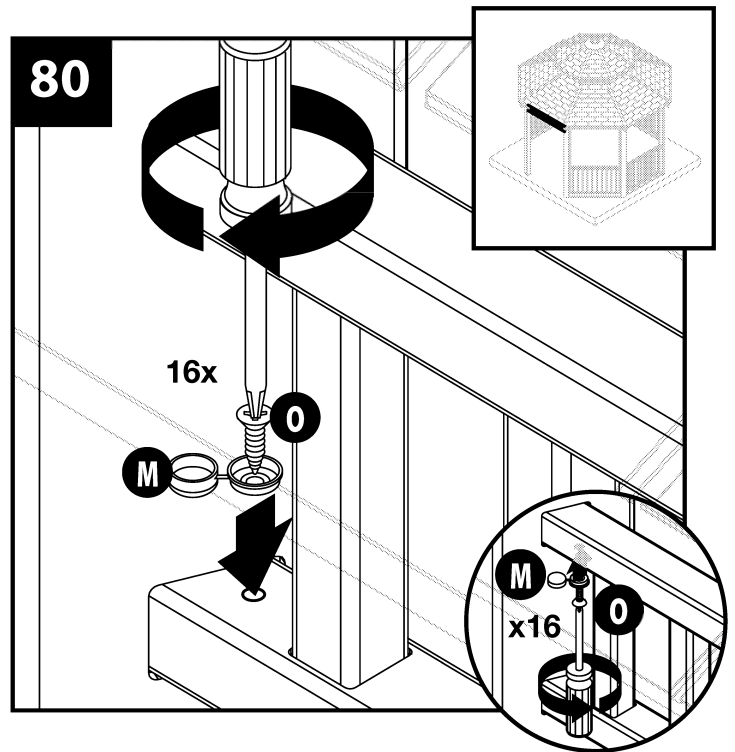
Repeat step 76 for remaining seven long weather strips.

78

Snap one lower roof end caps onto lower rafters. Repeat for remaining seven lower roof rafters.



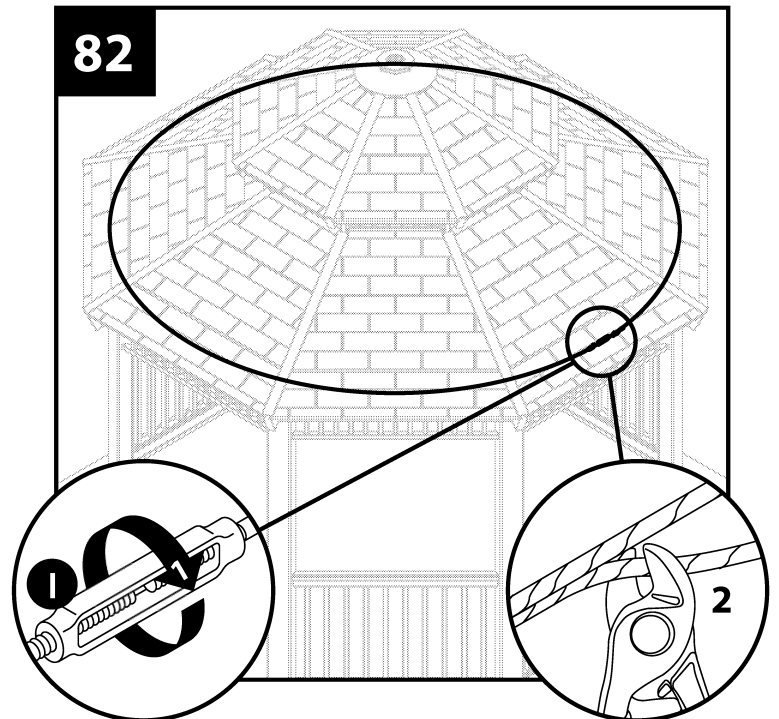
Insert one pre-assembled lower roof railing between roof support posts. (Ensure rails are centered.)



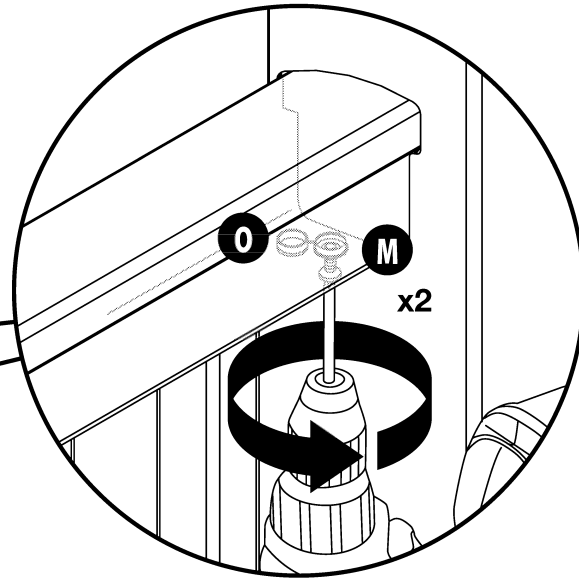
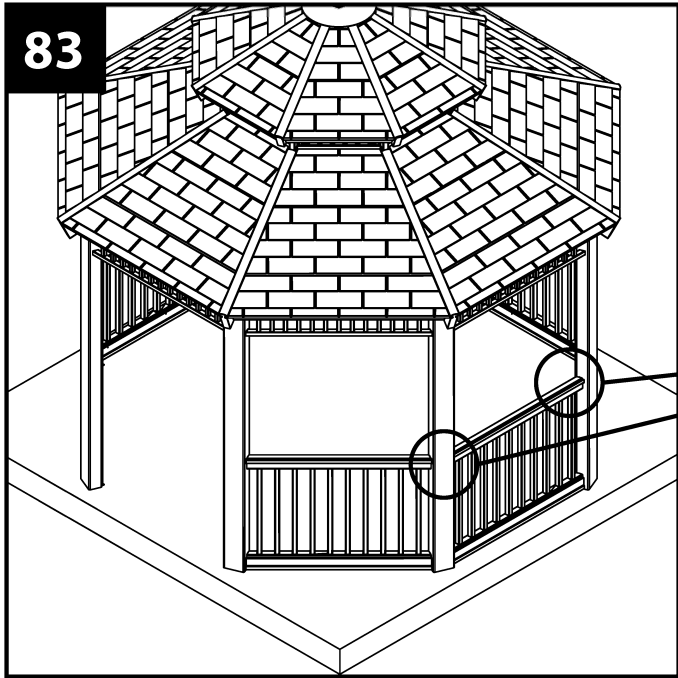
Insert flathead screw through cap and screw into pre-drilled holes (top and bottom) of lower roof railings. (Four per rail).

81

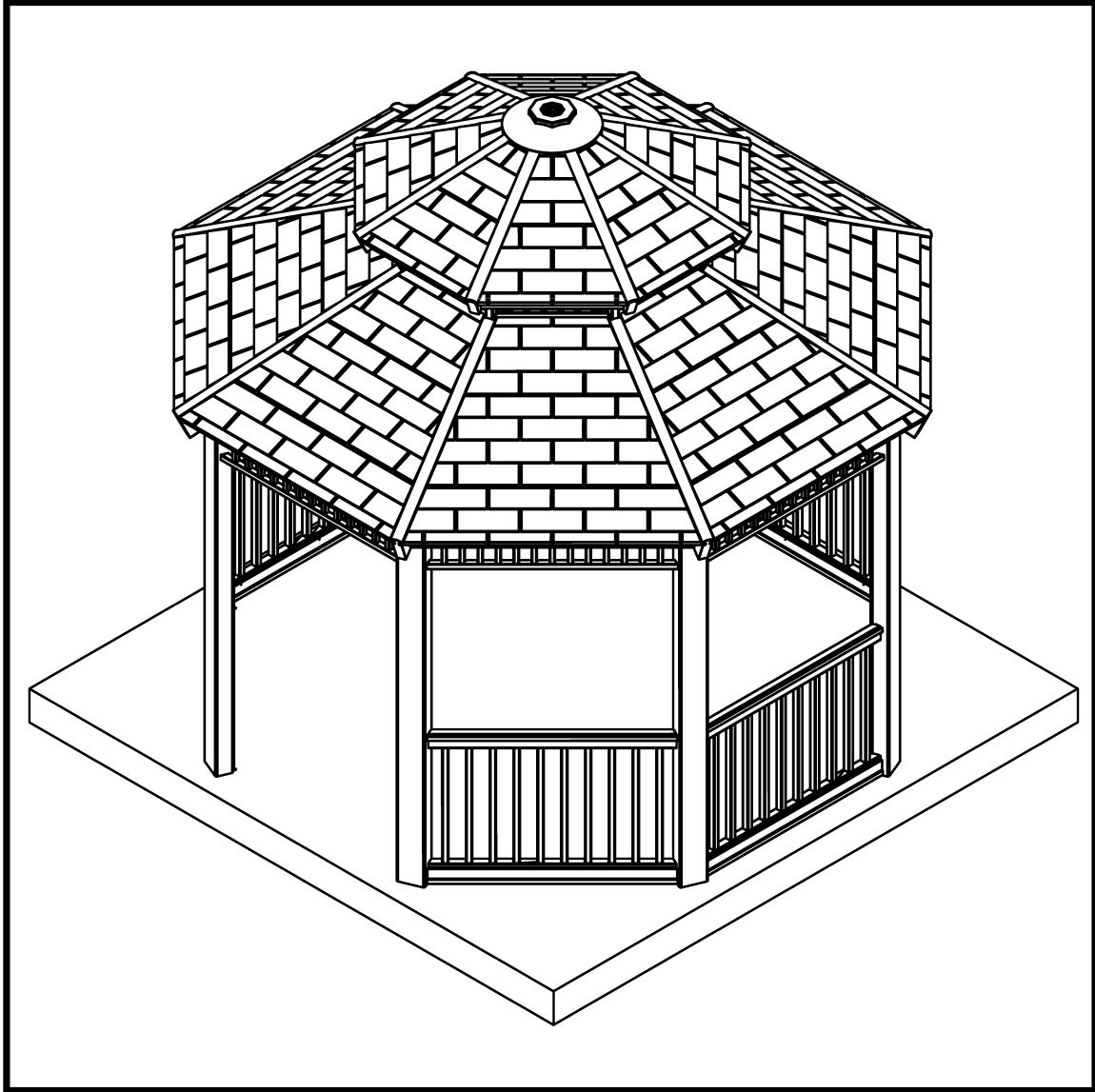
Repeat steps 79-80 for remaining seven roof rails.



Using a wire cutter or hacksaw, cut off **EXCESS** cable beyond clamp. **DO NOT** cut the portion of the cable that runs through the dowel pins and around the gazebo. This is a structural component of the gazebo that must not be moved.



Center hand rail and make sure spindles are vertical. Secure handrails using two screws and screw caps per section (underside of hand rail — one per side). Place screws and screw caps as close to post as possible where the hand rail meets the post.



Completed gazebo.

Notes

Notes

Warranty

Suncast® Corporation, 701 North Kirk Road, Batavia, Illinois 60510 (Manufacturer) warrants to the original purchaser only that the enclosed product is free from material and workmanship defects under normal, household use at time of purchase. Defective product or part must be returned, freight prepaid, to the Manufacturer's address (Attention: Parts Department) along with proof of purchase. Upon receipt of the aforesaid, the defective product or part will be repaired or replaced at the option of the Manufacturer without charge to the original purchaser and returned to the customer freight collect.

This limited warranty does not apply to damage resulting from accident, neglect, misuse, commercial use, alteration, operation not in accordance with instruction or repairs made or attempted by unauthorized persons.

This limited warranty applies only to the product enclosed and does not apply to accessory parts.

THE MANUFACTURER'S LIABILITY HEREUNDER IS LIMITED SOLELY TO THE REPAIR OR REPLACEMENT OF THE DEFECTIVE PRODUCT OR PART AND THE MANUFACTURER SHALL IN NO EVENT BE LIABLE FOR ANY INCIDENTAL OR CONSEQUENTIAL DAMAGES WHICH MAY RESULT FROM ANY DEFECT IN MATERIAL OR WORKMANSHIP OR FROM THE BREACH OF ANY EXPRESS OR IMPLIED WARRANTY.

Some states do not allow the exclusion or limitation of incidental or consequential damages, or a limitation of how long an implied warranty lasts, so the above limitations may not apply to you. This warranty gives you specific legal rights, and you may have other rights which may vary from state to state.

Factory Repairs

Repair service and assembly assistance are available direct from the factory, not from the place of purchase. If this product requires repair, please call or write us. Warranty repair parts are sent out free of charge. If the product is out of warranty, we will inform you of the charges prior to sending out the parts. VISA and MasterCard are accepted on phone orders. For assembly or replacement parts information:

Replacement Parts
Suncast Corporation
701 North Kirk Road
Batavia, IL 60510 USA

Outside Illinois, but within North America
800-846-2345
24 hour service / 7 days a week

Within Illinois, or outside North America
630-879-2050
visit: www.suncast.com
email: parts@suncast.com

PATENTS
Patents pending.

Quality Control Number

Free Manuals Download Website

<http://myh66.com>

<http://usermanuals.us>

<http://www.somanuals.com>

<http://www.4manuals.cc>

<http://www.manual-lib.com>

<http://www.404manual.com>

<http://www.luxmanual.com>

<http://aubethermostatmanual.com>

Golf course search by state

<http://golfingnear.com>

Email search by domain

<http://emailbydomain.com>

Auto manuals search

<http://auto.somanuals.com>

TV manuals search

<http://tv.somanuals.com>