

Swann Technical Support

All Countries E-mail: tech@swann.com.au

Telephone Helpdesk

UNITED STATES toll free

877-274-3695

(Sun-Thurs, 2pm-10.30pm PST)

800-627-2799

(Mon-Fri, 9am-1pm PST)

USA Exchange & Repairs

562-777-2551

(Mon-Fri, 9am-5pm PST)

AUSTRALIA toll free

1300 13 8324

(Mon-Fri, 9am-5.30pm Aus EST)

International

+61 3 8412 4610

(Mon-Fri, 9am-5.30pm Aus EST)

See <http://www.worldtimeserver.com> for information on different time zones and the time in Melbourne Australia compared to your local time.

Warranty Information

Swann Communications warrants this product against defects in workmanship and material for a period of one (1) year from its original purchase date. You must present your receipt as proof of date of purchase for warranty validation. Any unit which proves defective during the stated period will be repaired without charge for parts or labour or replaced at the sole discretion of Swann. The repair or replacement will be warranted for either ninety days or the remainder of the original one year warranty period, whichever is longer. The end user is responsible for all freight charges incurred to send the product to Swann's repair centres. The end user is responsible for all shipping costs incurred when shipping from and to any country other than the country of origin. The warranty does not cover any incidental, accidental or consequential damages arising from the use of or the inability to use this product. Any costs associated with the fitting or removal of this product by a tradesman or other person or any other costs associated with its use are the responsibility of the end user. This warranty applies to the original purchaser of the product only and is not transferrable to any third party.

Unauthorised end user or third party modifications to any component or evidence of misuse or abuse of the device will render all warranties void.



www.swannsecurity.com



English

HD590

Ultra High Definition

520 TVL CCD Security Camera



Swann Helpdesk
Has the answers



If this device does not work when you first plug it in, do not take it back to the store.

- ✓ Contact the Swann Helpdesk using our fast e-mail service tech@swann.com.au or call us on one of the Toll-Free numbers shown on the back cover of this booklet.
- ✓ Most problems can be quickly and easily fixed with a simple e-mail or a quick chat with one of our friendly technical staff. (Toll-Free available in the US and Australia only)

Installation Guide

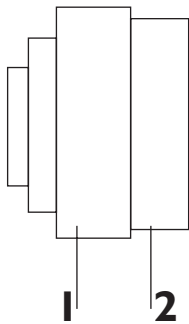
What's In This Package?

1. HD590 Colour CCD Security Camera
2. Manual Focus Lens
3. Adjustable Camera Stand
4. 12Volt DC Power Adaptor (adaptor design varies depending on country).
5. 10m (33feet) Cable
6. Instruction Manual (this document)

Introduction

Before permanently fixing your camera in the location which you wish to observe, fix it temporarily and connect the necessary cables and check using your Video Monitor or TV to ensure you have a clear field of view. Check also that the camera will not be pointing directly into a strong light source (check at different times of the day to ensure the sun will not interfere with the image) or that there are any other obstructions. Once this is complete, adjust the camera for focus and check that you have the correct field of view. Once you are satisfied that the image is appropriate to your requirements, fix the stand to the location correctly using the appropriate screws, and if necessary wall anchors. After mounting the Camera Stand in the location the camera will be used, screw the camera to the stand and tighten firmly. Use the mounting hole in the top of the camera if mounting the camera under a roof, ceiling or similar surface to make sure that the picture shows correctly on your monitor.

Fitting and Setting The Lens



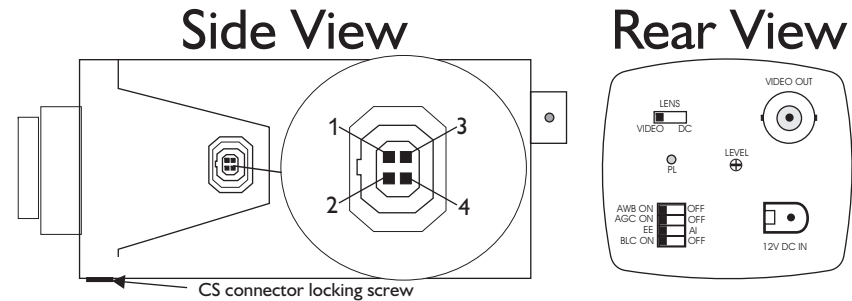
Fitting the lens:

Make sure the CS Connector Locking Screw is tight, then by holding the **Lens Body(1)** carefully screw the lens into the CS Connector on the front of the camera body making sure you do not cross the thread.

Adjust the lens to suit your application:

Turn the **Focus Adjustment Ring (2)** clockwise or anti-clockwise to focus the camera. If the Lens will not focus, Loosen the CS Connector Locking Screw and turn the CS Connector either in or out until correct focus is obtained. Once you have adjusted the focus correctly, re-tighten the CS Connector Locking Screw firmly, but do not over-tighten.

Control and Socket Description



Description of connectors and controls on side of camera

Pin arrangement for Auto Iris lens socket

- | | |
|----------------------------------|-----------------|
| Pin 1 - Video AI (+12V) | DC AI (DAMP -) |
| Pin 2 - Video AI (Not Connected) | DC AI (DAMP +) |
| Pin 3 - Video AI (VIDEO) | DC AI (DRIVE +) |
| Pin 4 - Video AI (GROUND) | DC AI (DRIVE -) |

CS connector locking screw - Tighten this screw to lock the CS connector. Loosen to adjust the CS connector to assist with focussing the lens if you cannot get a clear image using the focus ring.

Description of controls and connectors on the back panel of the camera

Lens:

Video - Switch to this if using a Video Drive auto iris lens (ignore if using Manual Iris lens)
DC - Switch to this if using a DC (Direct) drive auto iris lens (ignore if using Manual Iris lens)

PL:

Power LED - Lights up when power to camera is on

Dip Switches:

AWB ON - Auto White Balance ON

AWB OFF - Auto White Balance OFF

AGC - Auto Gain Control On/Off (On = Low gain control, Off = High gain control)

EE - Electronic Exposure control (In EE mode, a continuously variable electronic shutter is employed to automatically control the exposure time of the CCD image sensor according to the incoming light level. With this mode selected, a fixed or manual iris lens can be used instead of an auto iris lens)

AI - In AI mode, the CCD shutter speed is fixed to 1/60(1/50) second. And the incoming light level is controlled by the auto iris lens.

BLC - Back Light Compensation On/Off (On=Auto BLC, Off=Strong BLC (very bright background))

Level:

Phase Adjustment - When using a DC drive Auto Iris lens adjust this control for best image quality

Video Out:

BNC Female connector - Connects to BNC Male connector as fitted to supplied extension cable

12V DC IN:

Power connector - Connect using supplied 12Volt Power Adaptor or extension cable

Free Manuals Download Website

<http://myh66.com>

<http://usermanuals.us>

<http://www.somanuals.com>

<http://www.4manuals.cc>

<http://www.manual-lib.com>

<http://www.404manual.com>

<http://www.luxmanual.com>

<http://aubethermostatmanual.com>

Golf course search by state

<http://golfingnear.com>

Email search by domain

<http://emailbydomain.com>

Auto manuals search

<http://auto.somanuals.com>

TV manuals search

<http://tv.somanuals.com>