

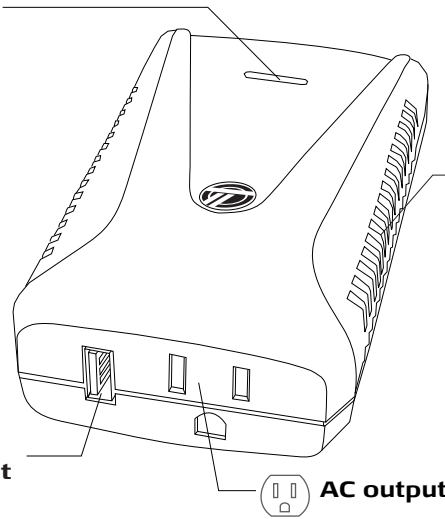
### Power / Fault Indicator

This light will flash (blue color) if the inverter encounters problems.

**LED is ON** – Normal operation.

**LED is flashing** – Low voltage warning signal indicates the supply voltage is low.

**LED is OFF** – Unit is off and no power is being output. Either the inverter is not plugged into a powered socket or it has gone into protection mode due to overheating, overvoltage, overloading or short circuit.



**USB Output**  
(DC power only)

**AC output**



### Ventilation openings WARNING

- Do not block or cover any louvered vents . Place the inverter on a flat surface with good ventilation between 0-35 °C and ideally 15-25 °C.
- Do not place the inverter on or near a heating vent or any piece of heat generating equipment. Keep inverter away from direct sunlight, if at all possible.
- Do not allow water or other liquids to come into contact with the inverter.

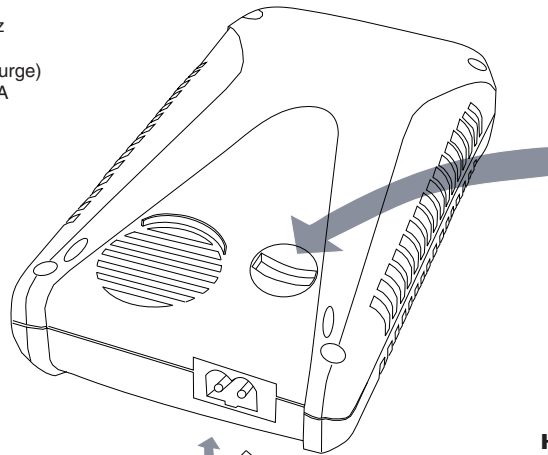
### Electrical Ratings:

**Input:** 12-16Vdc

**AC Output:** 120Vac 60 Hz  
(modified sinewave)

100W continuous (150W surge)

**USB Output:** 5Vdc 500mA



### Fuse CAUTIONS



This inverter is fitted with a spade type 32Vdc 15A fuse. Once the fuse blows, replace with a same specification and type fuse. Usage of another type fuse or metal wire will cause abnormal overheating or even fire hazards.



Note: When replacing the fuse, please make sure that all the electrical device(s) are turned off and the power cables are unplugged. Make sure the fuse is replaced correctly and before reconnecting the device(s).

### Typical Usage

This listing is for reference purpose only. Some devices exceed the wattages listed. Before using the device, please refer to the owner's manual for actual wattage required.

Play Station	10 Watt
Cellular Phone Charger	25 Watt
Portable Color Printer	30 Watt
Hi-Fi 4 head Stero VCR	40 Watt
13" color TV	70 Watt
Notebook computer	50 Watt
CD player	85 Watt
Work Light	100 Watt



### WARNINGS

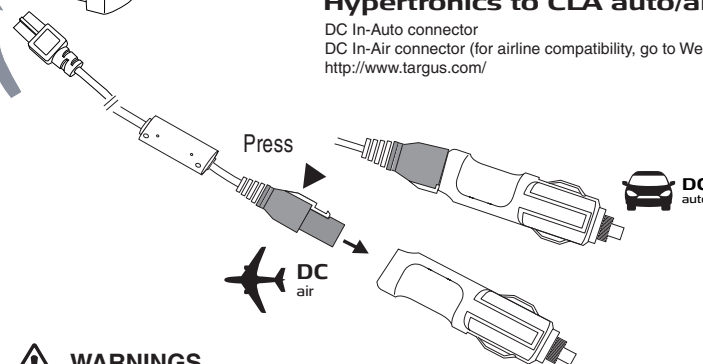
Any electric appliance with the power consumption beyond 100W is not allowed for usage. This inverter is not recommended for use with inductive loads, such as fluorescent lamps or pumps and most heat generation equipment such as hair dryers, coffee makers, irons, heaters and toasters. Otherwise, permanent damage to the unit and excessive overheating may result.

### Hypertronics to CLA auto/air adapter

DC In-Auto connector

DC In-Air connector (for airline compatibility, go to Web site below)

<http://www.targus.com/>



### WARNINGS

If the external cable of this inverter is damaged, stop using this and contact the authorized agent to replace it to avoid hazard.

### CAUTIONS

Regularly check input and output connections are tight. Loose connections can generate harmful heat and / or damage the inverter or power source. Prevent shock hazard.

# Quick Start Guide

## Trouble Shooting

### Problem: No Power Output, indicator not ON

Possible causes and suggestions:

- **The Car's battery is low (<11.5Vdc) or defective**

Start the engine to recharge or replace the car's battery if needed. Disconnect the input cable before starting the car's engine to minimize power surge. If such a case occurs, reconnect the cable to resume normal operation.

- **Connection cable is not secured**

Reconnect the cables and make sure all plugs are secured.

- **Equipment being operated draws too much power**

Reduce load to continuous 100 watts or below and use equipment with starting surge power within inverter capability.

- **Inverter in thermal shut down condition**

Allow the inverter to cool down. Ensure there is ventilation around the unit.

- **Inverter Fuse blown**

Unplug the power cable and replace the fuse following fuse replacement instruction.

- **Automotive Fuse for Cigarette Lighter Blown**

Check and replace the fuse for your car's cigarette lighter following the instructions in your car's service manual.

### Problem: Low Output Voltage

Possible cause and suggestions:

- **Inverter is overloaded**

Reduce load to continuous 100 watts or below to maintain regulation.

- **Input voltage below 11.5Vdc**

Keep input voltage above 12Vdc to maintain regulation. Replace the car's battery if needed.

### Technical Support

For technical questions, please visit:

**US** Internet: [www.targus.com/support.asp](http://www.targus.com/support.asp)  
**Australia** Internet: [www.targus.com/au](http://www.targus.com/au)  
Email: [infoaust@targus.com](mailto:infoaust@targus.com)  
Telephone: 1800-641-645

### New Zealand

Telephone: 0800-633-222

### Product Registration

Targus recommends that you register your Targus accessory shortly after purchasing it. To register your Targus accessory, go to: <http://www.targus.com/registration.asp>. You will need to provide your full name, email address, phone number, and company information (if applicable).

### Warranty

Targus warrants this product to be free from defects in materials and workmanship for one year. If your Targus accessory is found to be defective within that time, we will promptly repair or replace it. This warranty does not cover accidental damage, wear and tear, or consequential or incidental loss. Under no conditions is Targus liable for loss of, or damage to a computer; nor loss of, or damage to, programs, records, or data; nor any consequential or incidental damages, even if Targus has been informed of their possibility. This warranty does not affect your statutory rights.

### Regulatory Compliance

This device complies with Part 15 of the FCC Rules. Operation is subject to the following two conditions: (1) This device may not cause harmful interference, and (2) This device must accept any interference received, including interference that may cause undesired operation.

### FCC Statement

#### Tested to Comply

This equipment has been tested and found to comply with the limits of a Class B digital device, pursuant to Part 15 of the FCC Rules. These limits are designed to provide reasonable protection against harmful interference in a residential installation. This equipment generates, uses, and can radiate radio frequency energy and if not installed and used in accordance with the instructions, may cause harmful interference to radio communications. However, there is no guarantee that interference will not occur in a particular installation. If this equipment does cause harmful interference to radio or television reception, which can be determined by turning the equipment off and on, the user is encouraged to try to correct the interference by one or more of the following measures:

- Reorient or relocate the receiving antenna
- Increase the separation between the equipment and receiver
- Connect the equipment into an outlet on a circuit different from that to which the receiver is connected
- Consult the dealer or an experienced radio/TV technician for help

Changes or modifications not authorized by the party responsible for compliance could void the user's authority to operate this product

## Safety Precautions

- This device outputs 120 Volts of electricity just as a wall socket does. Exercise extreme care that nothing comes in contact with the AC connector.
- Do not use in the presence of water or moisture.
- Do not use or place the inverter near flammable materials or any locations that may accumulate flammable fumes or gases.
- To avoid potential property damage, do not leave this inverter or any device operating unattended in vehicle.
- Always disconnect the input to the inverter when it is not in use.
- Disconnect the input cable before starting your car to minimize surges.
- Reverse polarity connection will result in a blown fuse and may cause permanent damage to the inverter (Damage due to reversed polarity is not covered by our warranty).
- Do not connect to AC distribution wiring.
- Improper use of this inverter can cause personal injury, property damage, and or loss of life.
- This is not a toy. Keep away from reach of children.
- Indoor use only.
- The maximum in-seat DC power on airplane is 75 Watts. Exceed this limit may shut down the in-seat power system.



## Free Manuals Download Website

<http://myh66.com>

<http://usermanuals.us>

<http://www.somanuals.com>

<http://www.4manuals.cc>

<http://www.manual-lib.com>

<http://www.404manual.com>

<http://www.luxmanual.com>

<http://aubethermostatmanual.com>

Golf course search by state

<http://golfingnear.com>

Email search by domain

<http://emailbydomain.com>

Auto manuals search

<http://auto.somanuals.com>

TV manuals search

<http://tv.somanuals.com>