

**Voice Recording
Presenter
with
Laser Pointer**



Visit our Website at www.targus.com Features and specifications subject to change without notice.
© 2006 Targus Group International, Inc. and Targus, Inc.

AMP05US/ 410-0705-001A



USER GUIDE



PMS Black
30%



PMS Black
100%



Complies with EN 60825-1: 1994+A1+A2
and Complies with 21 CFR 1040.10 and
1040.11 except for deviation pursuant to
Laser Notice No.50,dated July 26,2001.

AVOID EXPOSURE--HAZARDOUS ELECTROMAGNETIC RADIATION EMITTED FROM THIS APERTURE.

LASER RADIATION. DO NOT STARE INTO THE BEAM OR VIEW DIRECTLY WITH OPTICAL INSTRUMENTS. CLASS 2 LASER PRODUCT.

NEVER POINT A LASER BEAM INTO A PERSON'S EYES OR VIEW A LASER BEAM DIRECTLY, AS PROLONGED EXPOSURE CAN BE HAZARDOUS TO THE EYES.

MOMENTARY EXPOSURE FROM A LASER POINTER, SUCH AS AN INADVERTENT SWEEP OF THE LIGHT ACROSS A PERSON'S EYES, MAY CAUSE TEMPORARY FLASH BLINDNESS SIMILAR TO THE EFFECT OF A CAMERA FLASH BULB. ALTHOUGH THIS CONDITION IS TEMPORARY, IT CAN BECOME MORE DANGEROUS IF THE EXPOSED PERSON IS ENGAGED IN A VISION-CRITICAL ACTIVITY SUCH AS DRIVING.

CAUTION: ANY CHANGES OR MODIFICATIONS NOT EXPRESSLY APPROVED BY THE PARTY RESPONSIBLE FOR COMPLIANCE COULD VOID THE USER'S AUTHORITY TO OPERATE THE EQUIPMENT.

THIS DEVICE AND ITS ANTENNA(S) MUST NOT BE CO-LOCATED OR OPERATING IN CONJUNCTION WITH ANY OTHER ANTENNA OR TRANSMITTER.

YOUR DEVICE CONTAINS A LOW POWER TRANSMITTER. WHEN DEVICE IS TRANSMITTED IT SENDS OUT RADIO FREQUENCY (RF) SIGNAL.

NOTE: THE MANUFACTURER IS NOT RESPONSIBLE FOR ANY RADIO OR TV INTERFERENCE CAUSED BY UNAUTHORIZED MODIFICATIONS TO THIS EQUIPMENT. SUCH MODIFICATIONS COULD VOID THE USER'S AUTHORITY TO OPERATE THE EQUIPMENT.

TARGUS VOICE RECORDING PRESENTER WITH LASER POINTER

Introduction

Congratulations on your purchase of the Targus Voice Recording presenter with Laser Pointer. This user's guide describes how to connect the presenter to your computer and its functions. This 2.4GHz presenter can work up to 50 ft (15m) of operating range and provides total control of your PowerPoint presentations with laser pointer, volume control, scroller wheel, dark screen button and application switch. This presenter is also a voice recorder and has a built-in SD card reader. Presentations, photos and music files can be stored and transferred from a SD memory card to and from your notebook.

List of contents

- Voice Recording presenter with laser pointer
- USB Receiver (stored inside the presenter)
- 2 x AAA batteries
- USB data cable
- Carrying case
- User Guide

System Requirements

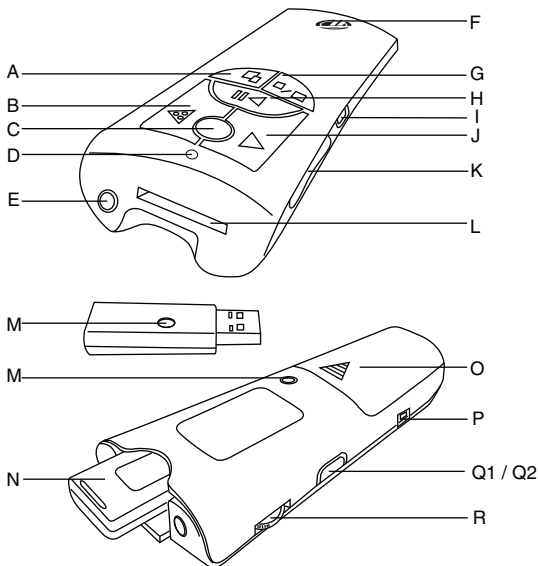
Hardware

- PC with an Intel® Pentium® processor or equivalent
- USB 1.1 or 2.0 interface
- SD memory card of 256MB minimum is recommended (Maximum 1 G SD memory card)

Operating System

- Windows® 2000/XP
- Windows Vista™

Using the presenter



A. Application Switch

B. Next Page

C. Laser Button

D. Microphone (recording)

E. Laser Pointer

F. Targus Logo

- Laser pointer indicator light: when light is on
- Battery-low warning light: when LED flashes

G. Dark Screen / Resume

H. Slide Show / Esc

I. Power Switch:

Presenter <-> Card Reader / Off

J. Previous Page

K. Volume Control

L. Built-in SD Card Reader

M. Connection Button

N. USB Receiver

O. Battery Compartment

P. USB (mini-B) Cable Connector

Q1. Voice Recording Button

Q2. LED indicator: Memory - full

R. Scroller Wheel

Installing the Batteries

- Before you start, please install the 2 AAA batteries (supplied).
- Open the battery cover located on the back of the presenter and insert the batteries according to the correct polarities.
- Replace the battery compartment cover.



Note: It's not recommended to use rechargeable batteries. For best performance use Alkaline batteries.

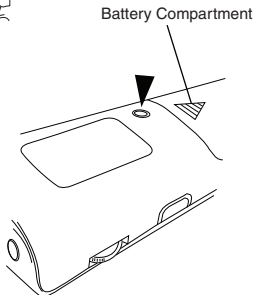
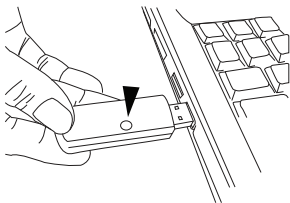
Connecting the Receiver

To connect the receiver to your computer, plug the USB receiver into an available USB port on your computer.

Your computer's operating system identifies the receiver as a "USB Human Interface Device" and begins installing the default driver. Follow any on-screen procedures to complete the default driver installation.



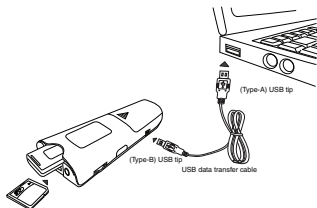
Note: This presenter is a plug-n-play device. It should be operating once the USB receiver is connected and recognized by the computer.



To Reconnect the Device and the Receiver

1. Position the Power Switch to “Presenter” mode to turn on the presenter.
This presenter is a plug and play device and should work once the USB receiver is connected to and recognised by the computer. If the device is not working or you have recently replaced the batteries, you can try to reset the ID code between the receiver and the remote. To do this, do the following:
 2. Once the computer has recognised the device. Press the connection button on the receiver.
 3. After the connection button is pressed on the receiver, press the connection button on the back side of the presenter.
- The devices are paired and ready to use.

Using the Presenter as a SD memory card reader



1. Position the Power switch to “Card Reader / Off” position.
2. Connect the presenter with the computer using the USB data transfer cable provided. Please make sure the mini USB connector (Type-B) is connected to the presenter's USB port and the large USB connector (Type-A) is connected to the computer's USB port.
3. Insert the SD memory card into the presenter's card slot until it is fully inserted.

The computer will detect the memory card and once detected, the memory card is ready for access.



Note: Please remember to turn the power off (to Card Reader / Off mode) before connecting the data cable to the PC for card reader function. For best performance please use SD card with minimum of 128MB storage space. Try to avoid using mini SD card with adapter. Avoid having a large amount of data stored in the SD card. It will delay the loading time for the presenter.

Using the Voice recording function

This presenter is equipped with a voice recording function. The recorded data is stored into the SD memory card.

1. Turn on the device. Press once and release the “voice record button” to start recording. The LED beneath the button will glow red when recording is in progress.
2. Press once and release the “voice record button” to end recording.



Note: Please note that it will take some time for the card reader to finish process voice recording after turning off the recording function. The more data is stored in the memory card the longer it will take for the red light to turn off. This is not a defect; this is the way card reader operates. Please make sure the record indicator LED is off.

3. Always speak into the microphone positioned above the laser button.

When the SD card is full, the LED under the recording button will flash twice per second and the recording will stop functioning. If the presenter is low in battery, the LED under the Targus logo will flash continuously until the power is completely out. This is an indication that there's only enough power for approximately 30 minutes (depending on the usage) -- you should replace the batteries now.

To save or download the voice data into the computer

1. Turn the power off by position the Power Switch to “Card Reader / Off” position.
2. Connect the presenter to the computer using the USB cable provided.
3. Once the computer has recognised the device, you can access the SD card by double clicking “My Computer”. There will be a new storage device drive showing in this window.
4. The saved voice data files can be located in “D:\record”



NOTE: Harddisk drive location may vary depending on number of drives installed in the computer.

The voice data files are saved as .WAV format. You can copy the files to your computer or delete the files in the SD card.

To retrieve or playback voice data file from the computer

Once you have located the voice data file, the recorded data can be playback with audio programs that supports .WAV file format. (ie. Windows Media Player)

Safety Measures

- To avoid possible eye damage, never point the presenter's laser at people, especially their faces, or look directly into the presenter's laser beam.
- Avoid pointing the presenter's laser beam at a mirror or other highly reflective surface.
- Keep the presenter away from young children.
- Never view the presenter's laser beam using telescopic devices, such as a microscope or binoculars.
- Any attempt to disassemble, adjust or repair the presenter may result in exposure to laser light or other safety hazards.
- This is a Class II Laser Product.

Troubleshooting

What do I do if the response time of the presenter is slow or intermittently stops working?

- Make sure that the presenter is within 50ft (15 m) of its receiver.
- Increase the distance between the presenter's receiver and the base units of other wireless devices.
- Turn off any wireless devices and their base units that are near the presenter's receiver.
- Replace the battery.

What do I do if voice recording stop functioning?

- Check the SD card memory status; when the card is full the voice recording function will stop working.

Technical Support

For technical questions, please visit:

US Internet: www.targus.com/support.asp

Australia Internet: www.targus.com.au

Email: infoaust@targus.com

Telephone: 1800-641-645

New Zealand Telephone: 0800-633-222

Product Registration

Targus recommends that you register your Targus accessory shortly after purchasing it. Go to:

<http://www.targus.com/registration.asp>. You will need to provide your full name, email address, phone number, and company information (if applicable).

Warranty

Targus warrants this product to be free from defects in materials and workmanship for one year. If your Targus accessory is found to be defective within that time, we will promptly repair or replace it. This warranty does not cover accidental damage, wear and tear, or consequential or incidental loss. Under no conditions is Targus liable for loss of, or damage to a devices nor loss of, or damage to, programs, records, or data; nor any consequential or incidental damages, even if Targus has been informed of their possibility. This warranty does not affect your statutory rights.

Regulatory Compliance

This device complies with Part 15 of the FCC Rules. Operation is subject to the following two conditions: (1) This device may not cause harmful interference, and (2) This device must accept any interference received, including interference that may cause undesired operation.

FCC Statement Tested to Comply

This equipment has been tested and found to comply with the limits of a Class B digital device, pursuant to Part 15 of the FCC Rules. These limits are designed to provide reasonable protection against harmful interference in a residential installation. This equipment generates, uses, and can radiate radio frequency energy and if not installed and used in accordance with the instructions, may cause harmful interference to radio communications. However, there is no guarantee that interference will not occur in a particular installation. If this equipment does cause harmful interference to radio or television reception, which can be determined by turning the equipment off and on, the user is encouraged to try to correct the interference by one or more of the following measures:

- Reorient or relocate the receiving antenna;
- Increase the separation between the equipment and receiver;
- Connect the equipment into an outlet on a circuit different from that to which the receiver is connected;
- Consult the dealer or an experienced radio/TV technician for help.

Changes or modifications not authorized by the party responsible for compliance could void the user's authority to operate this product.

FCC Radiation Exposure Statement

This equipment complies with FCC RF radiation exposure limits set forth for an uncontrolled environment. This equipment should be installed and operated with a minimum distance of 20 centimeters between the radiator and your body.

Declaration of Conformity

Hereby, Targus, declares that this device is in compliance with the essential requirements and other relevant provisions of Directive 1999/5/EC.

Microsoft, Windows, and Windows Vista are either registered trademarks or trademarks of Microsoft Corporation in the United States and/or other countries. All trademarks and registered trademarks are the properties of their respective owners. All rights reserved.

Free Manuals Download Website

<http://myh66.com>

<http://usermanuals.us>

<http://www.somanuals.com>

<http://www.4manuals.cc>

<http://www.manual-lib.com>

<http://www.404manual.com>

<http://www.luxmanual.com>

<http://aubethermostatmanual.com>

Golf course search by state

<http://golfingnear.com>

Email search by domain

<http://emailbydomain.com>

Auto manuals search

<http://auto.somanuals.com>

TV manuals search

<http://tv.somanuals.com>