

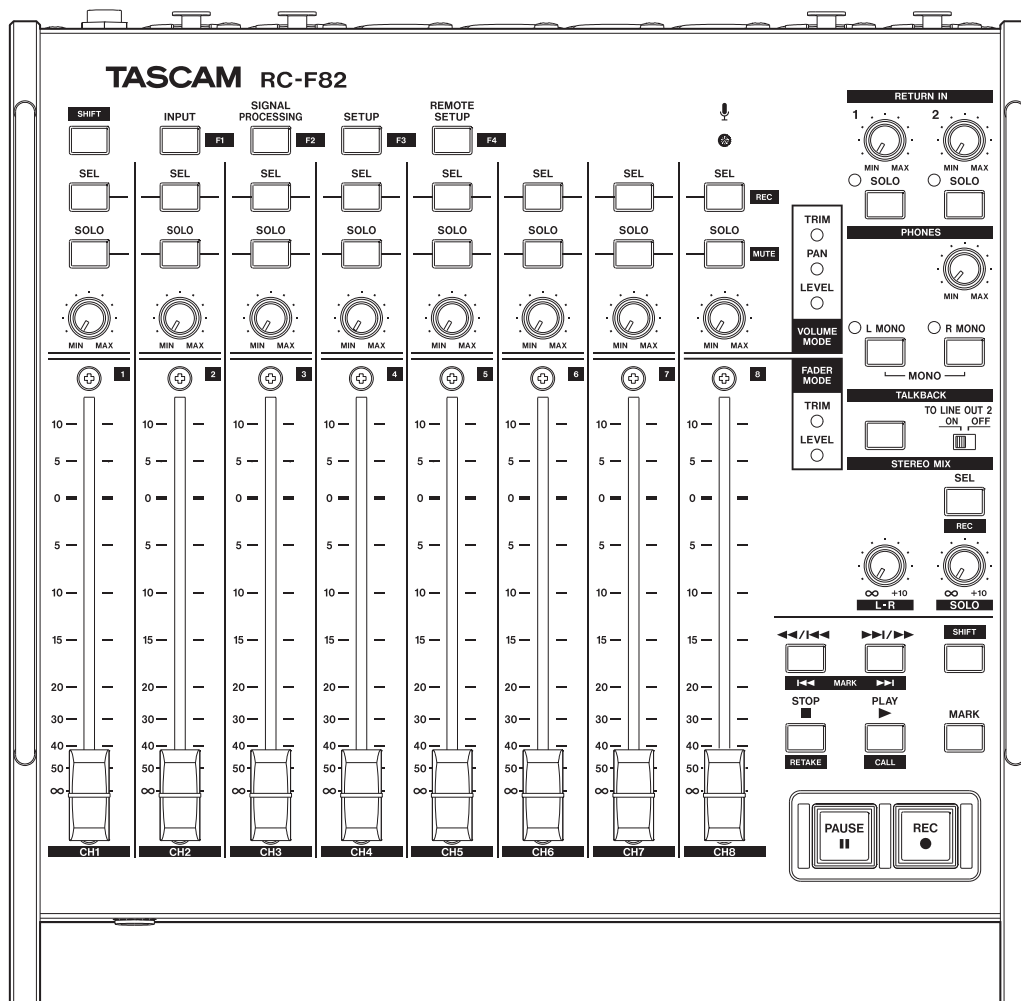
TASCAM

D01132420A

RC-F82

Fader Unit

OWNER'S MANUAL



■ For U.S.A.

TO THE USER

This equipment has been tested and found to comply with the limits for a Class A digital device, pursuant to Part 15 of the FCC Rules. These limits are designed to provide reasonable protection against harmful interference when the equipment is operated in a commercial environment. This equipment generates, uses, and can radiate radio frequency energy and, if not installed and used in accordance with the instruction manual, may cause harmful interference to radio communications.

Operation of this equipment in a residential area is likely to cause harmful interference in which case the user will be required to correct the interference at his own expense.

CAUTION

Changes or modifications to this equipment not expressly approved by TEAC CORPORATION for compliance could void the user's authority to operate this equipment.

This appliance has a serial number located on the bottom panel. Please record the model number and serial number and retain them for your records.

Model number _____

Serial number _____

■ For European Customers

Disposal of electrical and electronic equipment

- All electrical and electronic equipment should be disposed of separately from the municipal waste stream via designated collection facilities appointed by the government or the local authorities.
- By disposing of the electrical and electronic equipment correctly, you will help save valuable resources and prevent any potential negative effects on human health and the environment.
- Improper disposal of waste equipment can have serious effects on the environment and human health as a result of the presence of hazardous substances in electrical and electronic equipment.
- The crossed out wheeled dust bin symbol indicates that electrical and electronic equipment must be collected and disposed of separately from household waste.



- The return and collection systems are available to the end users. For more detailed information about disposal of old electrical and electronic equipment, please contact your city office, waste disposal service or the shop where you purchased the equipment.

WARNING

This is a Class A product. In a domestic environment, this product may cause radio interference in which case the user may be required to take adequate measures.

■ For China

产品有毒有害物质或元素的名称及含量

机种：RC-F82		有毒有害物质或元素					
	品名	铅 (Pb)	汞 (Hg)	镉 (Cd)	六价铬 (Cr (VI))	多溴联苯 (PBB)	多溴二苯醚 (PBDE)
1	CHASSIS部份	○	○	○	○	○	○
2	PCB Assy部份	×	○	○	○	○	○
3	线材部份	○	○	○	○	○	○
4	附属品部份	×	○	○	○	○	○
5	LABEL部份	○	○	○	○	○	○
6	包装部份	○	○	○	○	○	○

○：表示该有毒有害物质在该部件所有均质材料中的含量均在 SJ/T11363-2006 标准规定的限量要求以下。
 ×：表示该有毒有害物质至少在该部件的某一均质材料中的含量超出 SJ/T11363-2006 标准规定的限量要求。
 （针对现在代替技术困难的电子部品及合金中的铅）

1 – Introduction	4
Features	4
Included items	4
About this manual	4
Trademarks.....	4
Precautions for placement and use.....	5
Beware of condensation.....	5
Cleaning the unit.....	5
2 – Names and Functions of Parts	6
Top panel	6
Rear panel.....	9
Front panel.....	9
Left side panel.....	10
3 – Preparations	11
Connecting with an HS-P82	11
Connecting with other equipment	11
Using communication functions	11
4 – Mixer Control Functions	12
Knob functions	12
Faders	13
Monitoring.....	13
Shortcut keys.....	13
Direct access keys	13
Function keys	14
5 – Transport Control Functions	15
Recording.....	15
Playback.....	15
Adding marks	15
6 – Communication functions.....	16
Communicating with the built-in microphone (TALKBACK).....	16
Listening to RETURN IN signals	16
Setting the headphones output (PHONES).....	16
7 – Specifications	17
Inputs and outputs.....	17
Inputs.....	17
Outputs.....	17
Control input/output.....	17
Other specifications	17
Dimensional drawing	18
Block diagram.....	19

1 – Introduction

Thank you very much for purchasing the TASCAM RC-F82 Fader Unit.

Before connecting and using the unit, please take time to read this manual thoroughly to ensure you understand how to properly set up and connect the unit, as well as the operation of its many useful and convenient functions. After you have finished reading this manual, please keep it in a safe place for future reference.

You can also download the Owner's Manual from the TASCAM web site (<http://www.tascam.com>).

Features

- Eight 100 mm faders (with dust protection) for controlling the mix or input trim level for each channel on the HS-P82 unit
- Eight rotary knobs for controlling the input trim level, mixer pan or mixer level for each channel on the HS-P82 unit
- Two rotary controls for the stereo mix (for master and solo levels)
- Eight dedicated keys for enabling/disabling SOLO and recording MUTE functions
- Eight dedicated keys for calling up channel setup screens and enabling/disabling recording
- A dedicated key for the stereo mix for calling up the L/R SETUP screen and for enabling/disabling recording
- Four direct access (shortcut) buttons to open MIXER SETUP and REMOTE SETUP screens
- Transport control functions
- Balanced XLR LINE IN connectors (STEREO)
- Balanced XLR LINE OUT 1 & 2 connectors (two stereo pairs)
- Convenient talkback functions for use in field recording environments
- Balanced XLR RETURN IN connectors for talkback functions (includes level adjustment and solo control)
- RETURN signal can be monitored using headphones
- Built-in talkback microphone; this mic's signal can be output from the LINE OUT 2 connectors
- Headphones connector with level knob for monitoring
- Headphones monitoring can be set to STEREO, MONO, L MONO or R MONO
- Designed to be placed on top of an HS-P82 unit, the RC-F82 has the same footprint
- Connects with an HS-P82 unit by PS/2 (and is also powered by this connection)
- PS/2 external keyboard can be connected

Included items

The included items are listed below.

Take care when opening the package not to damage the items. Keep the package materials for transportation in the future.

Please contact the store where you purchased this unit if any of these items are missing or have been damaged during transportation.

- Fader unit (RC-F82) 1
- Connection cable (1.2m-long PS/2 cable)..... 1
- A warranty card 1
- Owner's manual (this manual) 1

About this manual

In this manual, we use the following conventions:

- The names of keys and controls are given in the following typeface: **MARK**.
- Messages on the unit's display are shown like this: `ON`
- Additional information is introduced in the styles below when needed:

TIP

Useful hints when using the unit.

NOTE

Explanation of actions in special situation and supplement.

CAUTION

Instructions that should be followed to avoid injury, damage to the unit or other equipment.

Trademarks

- TASCAM is a trademark of TEAC Corporation, registered in the U.S. and other countries.
- Other company names, product names and logos in this document are the trademarks or registered trademarks of their respective owners.

Precautions for placement and use

- The operating temperature should be between 0°C and 40°C (32°F and 104°F).
- Do not install in the following types of places. Doing so could degrade the sound quality and/or cause malfunctions.
 - Places with significant vibrations or that are otherwise unstable
 - Near windows or other places exposed to direct sunlight
 - Near heaters or other extremely hot places
 - Extremely cold places
 - Places with bad ventilation or high humidity
 - Very dusty locations
 - Locations exposed directly to rain or other water
- Do not place any object on the unit.
- Avoid installing this unit on top of any heat-generating electrical device such as a power amplifier.

Beware of condensation

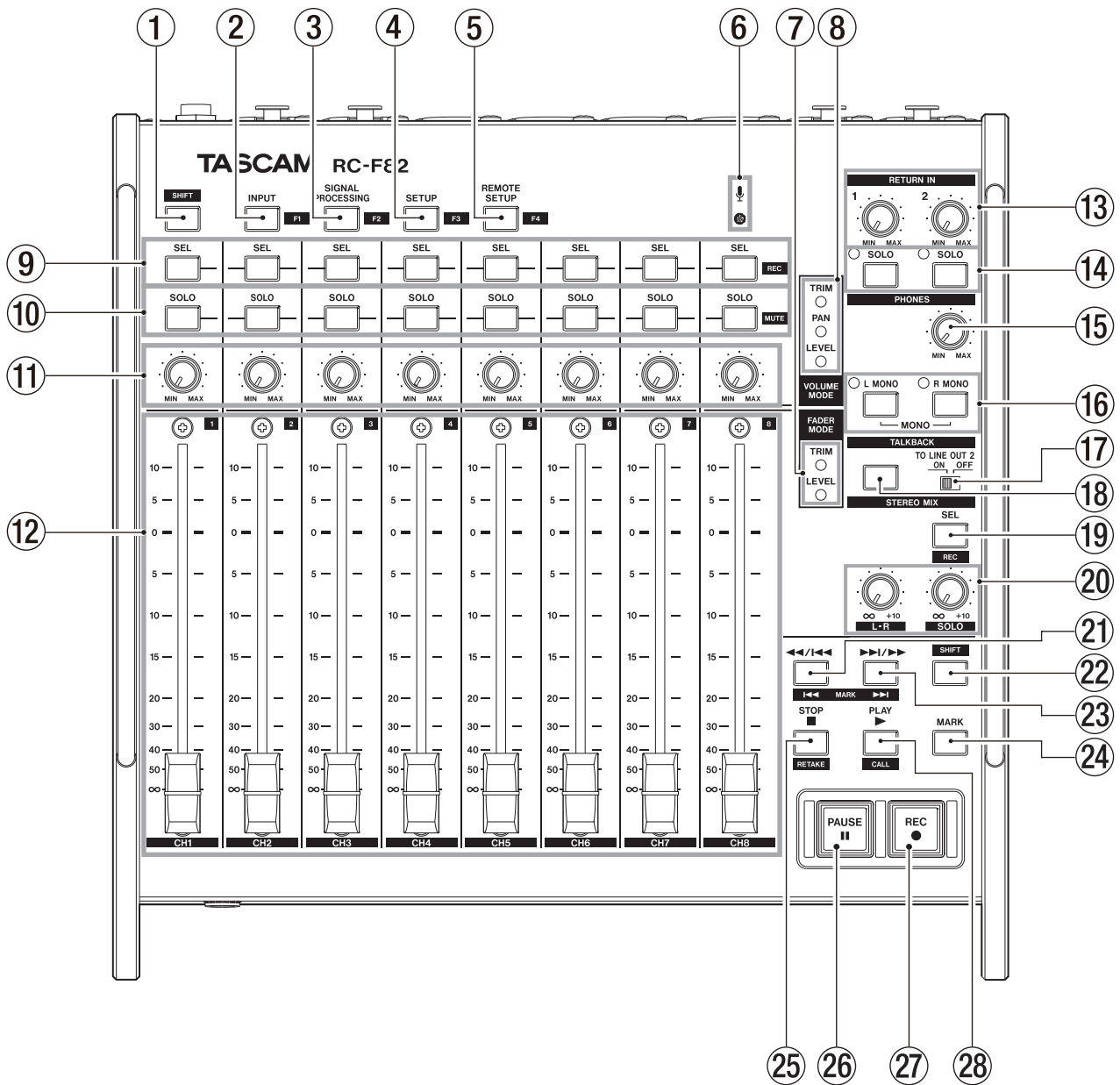
If the unit is moved from a cold to a warm place, or used immediately after a cold room has been heated or otherwise exposed to a sudden temperature change, condensation could occur. Should this happen, leave the unit for one or two hours before turning the unit on.

Cleaning the unit

To clean the unit, wipe it gently with a soft dry cloth. Do not wipe with chemical cleaning cloths, benzene, paint thinner, ethyl alcohol or other chemical agents to clean the unit as they could damage the surface.

2 – Names and Functions of Parts

Top panel



① **SHIFT key**

This key works just like a shift key on a computer. It works with other keys on the unit that have blue labels. There are two **SHIFT** keys—one at the top left and one at the bottom right—but they have the same function.

② **INPUT [F1] key**

Press this key to open the **INPUT** page of the **MIXER SETUP** screen on the HS-P82's color display. Press this key while pressing the **SHIFT** key to use it as the [F1] function key.

Make function key settings on the **RC-F82** page of the **REMOTE SETUP** screen of the HS-P82 unit.

③ **SIGNAL PROCESSING [F2] key**

Press this key to open the **SIGNAL PROCESSING** page of the **MIXER SETUP** screen on the HS-P82's color display. Press this key while pressing the **SHIFT** key to use it as the [F2] function key.

Make function key settings on the **RC-F82** page of the **REMOTE SETUP** screen of the HS-P82 unit.

④ **SETUP [F3] key**

Press this key to open the **SETUP** page of the **MIXER SETUP** screen on the HS-P82's color display. Press this key while pressing the **SHIFT** key to use it as the [F3] function key.

Make function key settings on the **RC-F82** page of the **REMOTE SETUP** screen of the HS-P82 unit.

2 – Names and Functions of Parts

⑤ **REMOTE SETUP [F4] key**

Press this key to open the RC-F82 page of the REMOTE SETUP screen on the HS-P82's color display. Press this key while pressing the **SHIFT** key to use it as the [F4] function key.

Make function key settings on the RC-F82 page of the REMOTE SETUP screen of the HS-P82 unit.

⑥ **Built-in microphone**

Use this microphone for talkback. Press and hold the **TALKBACK** key to activate it.

The **TO LINE OUT 2** switch must be set to **ON** in order to output the signal through the **LINE OUT 2/TALKBACK** connectors.

⑦ **FADER MODE indicators (TRIM, LEVEL)**

These two indicators show the currently enabled fader function. **TRIM** indicates control over the microphone input levels, and **LEVEL** indicates control over the levels sent to the stereo bus.

⑧ **VOLUME MODE indicators (TRIM, PAN, LEVEL)**

These three indicators show the currently enabled volume knob function. **TRIM** indicates control over the microphone input levels, **PAN** indicates control over the stereo positions used in output to the stereo bus, and **LEVEL** indicates control over the levels sent to the stereo bus.

⑨ **SEL [REC] keys (CH1–CH8)**

Press one of these keys to open the channel setting (CHx SETUP) page for the corresponding channel on the HS-P82's color display. While pressing and holding the **SHIFT** key, press this key to enable/disable recording for the corresponding channel.

⑩ **SOLO [MUTE] keys (CH1–CH8)**

Press one of these keys to enable/disable soloing of that channel. While pressing and holding the **SHIFT** key, press this key to enable/disable record muting of that channel.

⑪ **Rotary encoder knobs (CH1–CH8)**

Use one of these knobs to adjust the microphone input level (TRIM), stereo position sent to the stereo bus (PAN) or level sent to the stereo bus (LEVEL).

To set the functions of these knobs, select the **Volume Fader Mode** item on the RC-F82 page of the REMOTE SETUP screen on the HS-P82 unit.

The current setting can be checked with the **VOLUME MODE** indicators.

CAUTION

The same adjustments can be made using both this unit and the HS-P82. The adjustments made most recently will be used, regardless of which unit they were made with. For this reason, if you make an adjustment using the HS-P82 unit, the setting will differ from that last made using controls on this unit.

⑫ **Channel faders (CH1–CH8)**

Use one of these faders to adjust the microphone input (TRIM) or the level sent to the stereo bus (LEVEL) for the corresponding channel.

To set the functions of these knobs, select the **Volume Fader Mode** item on the RC-F82 page of the REMOTE SETUP screen on the HS-P82 unit.

The current setting can be checked with the **FADER MODE** indicators.

CAUTION

The same adjustments can be made using both this unit and the HS-P82. The adjustments made most recently will be used, regardless of which unit they were made with. For this reason, if you make an adjustment using the HS-P82 unit, the setting will differ from that last made using controls on this unit.

⑬ **RETURN IN knob**

The left knob (1) adjusts the input level from the **RETURN IN 1** connector, and the right knob (2) adjusts the input level from the **RETURN IN 2** connector.

⑭ **RETURN IN SOLO keys/indicators (2)**

Press the left key to enable/disable soloing of the signal input from the **RETURN IN 1** connector, and use the right key to enable/disable soloing of the signal input from the **RETURN IN 2** connector.

When SOLO is on, the indicator above and to the left of the button lights.

⑮ **PHONES knob**

Use this knob to adjust the volume output from the **PHONES** jack. Both left and right channels are adjusted simultaneously.

CAUTION

Before connecting headphones, turn the **PHONES** knob to the minimum volume. Failure to do so could cause sudden loud noises to occur, which might damage your hearing or equipment.

⑯ **L/R MONO keys/indicators**

Use these keys to turn ON/OFF the mono function for the left and right channels of the **PHONES** connector outputs. The **L MONO** key turns the mono function ON/OFF for the left channel, and **R MONO** key controls the right channel. When ON for a channel, the indicator above and to the left of the corresponding key lights.

⑰ **TO LINE OUT 2 switch (TALKBACK)**

When this switch is set to **ON**, the talkback signal is output from the **LINE OUT 2/TALKBACK** connectors. When **OFF**, the signals from the **LINE IN** connectors are output from them.

⑱ **TALKBACK key**

Press this key to enable talkback using the built-in microphone. When the **TO LINE OUT 2** switch is **ON**, the signal input through the built-in mic is output from the **LINE OUT 2/TALKBACK** connectors.

2 – Names and Functions of Parts

19 SEL [REC] key (STEREO MIX)

Press this key to open the stereo channel setup screen (L/R SETUP page) on the HS-P82's color display. While pressing and holding the **SHIFT** key, press this key to enable/disable stereo mix (LR 2MIX) recording.

20 STEREO MIX knobs (L-R, SOLO)

Use these knobs to adjust the master level of the stereo mix.

L-R knob

This adjusts the master level of both left and right channels at the same time.

SOLO knob

This adjusts the solo level.

CAUTION

The same adjustments can be made using both this unit and the HS-P82. The adjustments made most recently will be used, regardless of which unit they were made with. For this reason, if you make an adjustment using the HS-P82 unit, the setting will differ from that last made using controls on this unit.

21 ◀◀/◀ [MARK] ◀◀ key

When stopped/in playback standby/during playback:

- Press briefly to skip to the beginning of the current take (file) or the previous file, and stop/continue playback standby/resume playback at the beginning of that take (file).
- Press to search backwards while pressing.
- Press this key while pressing the **SHIFT** key to move to the previous mark, and stop/continue playback standby/resume playback.

This functions in the same way as the ◀◀ [◀◀] key on the HS-P82 unit.

22 SHIFT key

This key works just like a shift key on a computer. It works with other keys on this unit that have blue labels. There are two **SHIFT** keys—one at the top left and one at the bottom right—but they have the same function.

23 ▶▶/▶▶ [MARK] ▶▶ key

When stopped/in playback standby/during playback:

- Skip to the beginning of the next take (file), and stop/continue playback standby/resume playback at the beginning of that take (file).
- Press to search forward while pressing.
- While pressing the **SHIFT** key, press this key to move to the next mark, and stop/continue playback standby/resume playback.

This functions in the same way as the ▶▶ [▶▶] key on the HS-P82 unit.

24 MARK key

Press this key to add a mark at the current time. The maximum number of marks, including automatic marks, possible in a single file (take) is 99.

This functions in the same way as the **MARK** key on the HS-P82 unit.

25 STOP [RETAKE] key

Press to stop recording or playback.

Press this while pressing and holding the **SHIFT** key to erase the last recorded take and retake the recording.

While recording, press this key to stop recording and stop the unit at the beginning of the last recorded file.

This functions in the same way as the **STOP [RETAKE]** key on the HS-P82 unit.

26 PAUSE key/indicator

Press this key during playback to put the unit in playback standby. This key lights when in standby.

Press this key while recording to put the unit in recording standby. This key lights when in standby.

Press this key when the unit is stopped to put the unit in recording standby. This key lights when in standby.

This functions in the same way as the **PAUSE** key on the HS-P82 unit.

27 REC key/indicator

When a recordable CF card is installed and the unit is stopped, press this key to start recording to a new file. This key lights when recording.

When in recording standby, press this key to resume recording to a new file or the current file. This key lights when recording.

If you press this key while recording, recording to the current file stops, but recording continues to a new file.

This functions in the same way as the **REC** key on the HS-P82 unit.

28 PLAY [CALL] key

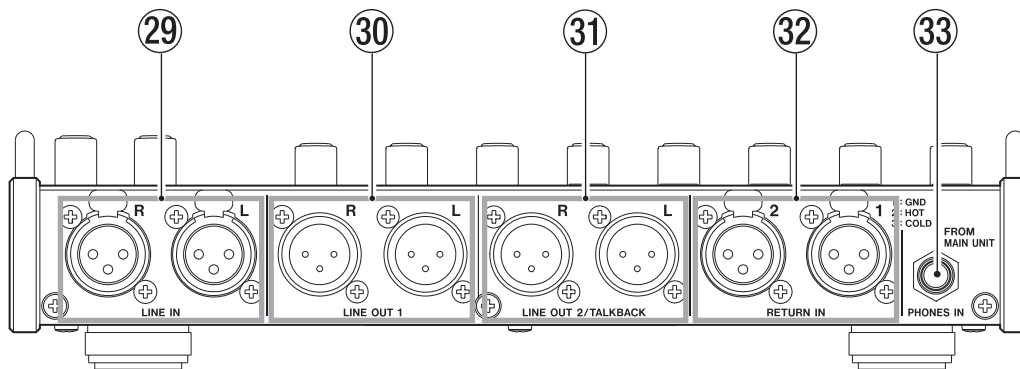
When stopped or in playback standby, press this key to start playback.

While pressing the **SHIFT** key, press this to use the **CALL** function (locate to the point where playback was last started from standby).

Press this key when in recording standby to start recording.

This functions in the same way as the **PLAY [CALL]** key on the HS-P82 unit except it lacks a LED indicator.

Rear panel



29 LINE IN connectors (left and right)

These are balanced XLR analog input connectors (1: GND, 2: HOT, 3: COLD). Connect them with the HS-P82 **LINE OUT** connectors.

30 LINE OUT 1 connectors (left and right)

These are balanced XLR analog output connectors (1: GND, 2: HOT, 3: COLD). The signals input through the **LINE IN** connectors (left and right) are passed through and output from these.

31 LINE OUT 2/TALKBACK connectors

These are balanced XLR (left and right) analog output connectors (1: GND, 2: HOT, 3: COLD). When the **TO LINE OUT 2** switch is set to **OFF**, the signal input through the **LINE IN** connectors are passed through and output from these. When the **TO LINE OUT 2** switch is set to **ON**, the talkback signal is output from these connectors.

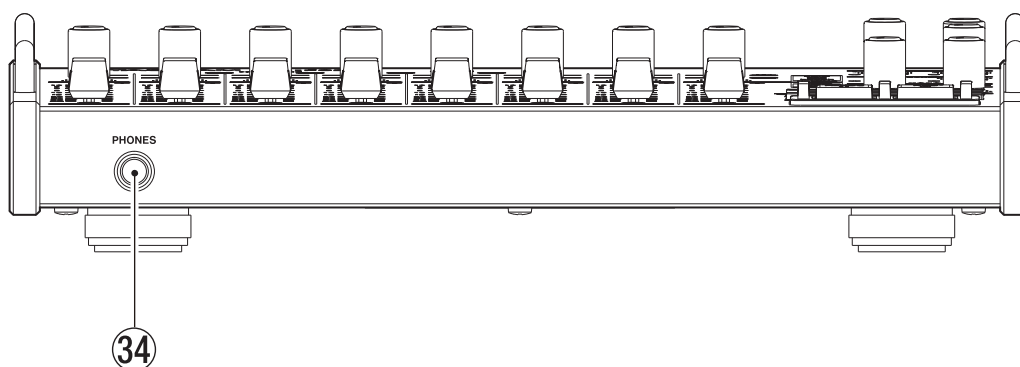
32 RETURN IN connectors (1/2)

These are balanced XLR analog input connectors (1: GND, 2: HOT, 3: COLD). Use these connectors for the input of talkback signals. The signals input through these connectors are mixed in the analog domain with the signal input through the **PHONES IN** jack and then the mix is output through the **PHONES** jack.

33 PHONES IN jack

This standard stereo phone jack is an analog input connector. Connect it to the **PHONES** jack of the HS-P82 unit. The signal input through this connector is mixed in the analog domain with the signals input through the **RETURN IN** connectors and then the mix is output through the **PHONES** jack.

Front panel



34 PHONES jack

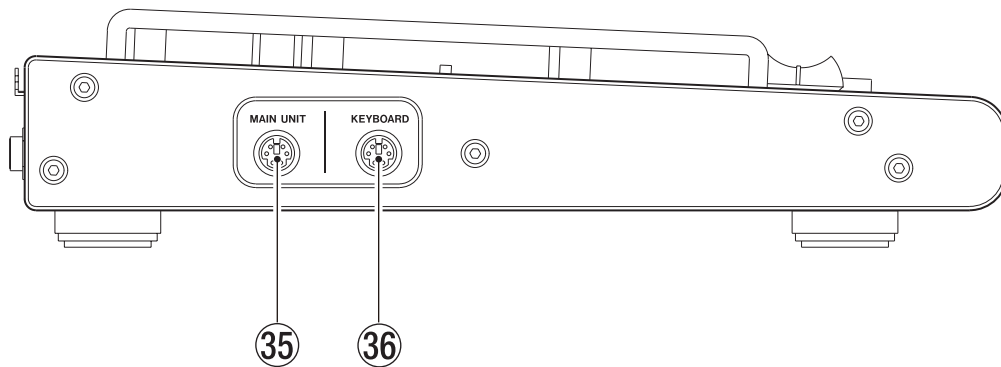
Use this standard stereo phone jack to connect headphones. Use the **PHONES** knob on the top panel to adjust the headphones output level.

CAUTION

Before connecting headphones, turn the **PHONES** knob to the minimum volume. Failure to do so could cause sudden loud noises to occur, which might damage your hearing or equipment.

2 – Names and Functions of Parts

Left side panel



③⑤ **MAIN UNIT connector**

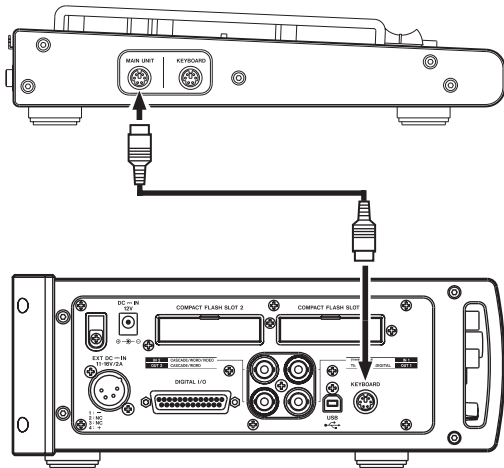
Use the included cable to connect this unit with the HS-P82 unit's **KEYBOARD** connector.

③⑥ **KEYBOARD connector**

Connect an IBM PC-compatible keyboard with a PS/2 interface to the unit here.

Connecting with an HS-P82

Use the included cable to connect the **MAIN UNIT** connector on the left side panel of this unit with the **KEYBOARD** connector on the HS-P82 unit. If you want to use an external PS/2 keyboard with the HS-P82 unit, connect the keyboard to this unit's **KEYBOARD** connector.



CAUTION

- Connect and disconnect the connection cable only when the HS-P82 unit power is OFF. Connecting and disconnecting the cable when the power is ON could cause damage to the HS-P82 and the fader units.
- The unit might not function properly if a PS/2 keyboard that consumes a large amount of power is used.

Connecting with other equipment

If you connect the HS-P82 unit's **LINE OUT** connectors to this unit's **LINE IN** connectors, you can output its signal from both the **LINE OUT 1** connectors and **LINE OUT 2/TALKBACK** connectors on this unit. The HS-P82 unit only allowed a single line output connection, but through this unit two output connections are possible.

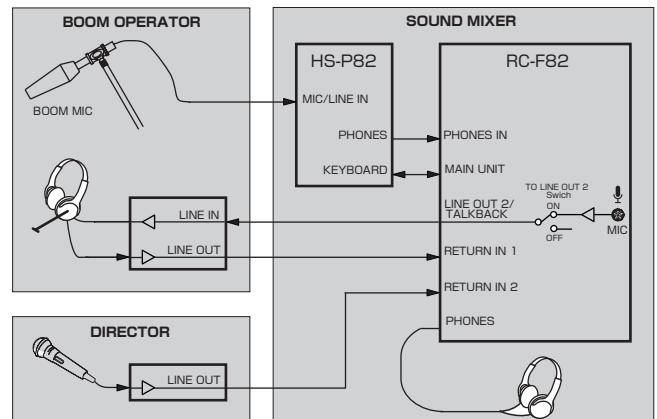
CAUTION

When the **TO LINE OUT 2** switch is **ON**, the HS-P82 unit's line output signal will not be output from the **LINE OUT 2/TALKBACK** connectors. If you want to output the line output signal from these connectors, set this switch to **OFF**.

Using communication functions

Connect the **PHONES** jack on the HS-P82 to the **PHONES IN** jack on this unit, and connect the outputs from devices that you want to receive communication from to this unit's **RETURN IN** connectors. By doing this, you can monitor an analog mix of these signals through headphones connected to this unit's **PHONES** jack.

Connect the **LINE OUT 2/TALKBACK** connectors to the inputs on the devices that you want to communicate with and use the outputs of those devices to listen to communication from this unit's built-in microphone.



Example of connections for using the communication functions

For details about using these features, see, "6 – Communication Functions" on page 16.

4 – Mixer Control Functions

This unit has rotary controls and faders for 8 channels. The knobs can be used to adjust one of three parameters: the microphone input level (TRIM), the stereo position sent to the stereo bus (PAN) or the level sent to the stereo bus (LEVEL). The faders can be used to adjust one of two parameters: microphone input (TRIM) or the level sent to the stereo bus (LEVEL).

To set this, use the Volume Fader Mode item on the RC-F82 page of the HS-P82. You cannot, however, set the knobs and faders to have the same functions. To open the RC-F82 page on the HS-P82 unit, press this unit's **REMOTE SETUP [F4]** key or follow the procedures below.

- 1 Press the **MENU** key on the HS-P82 unit to open the **MENU** screen.
- 2 Press the **REMOTE SETUP** button to open the **REMOTE SETUP** screen.
- 3 Touch the **RC-F82** tab to open its page.



- 4 Select a button shown next to the Volume Fader Mode item. The top line of each button shows the knob setting, and the bottom line shows the fader setting.

Button label	Function
TRIM	Microphone input level
PAN	Stereo position sent to the stereo bus
LEVEL	Level sent to stereo bus

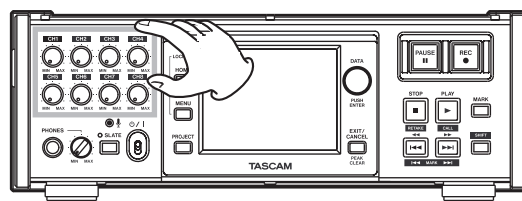
Knob functions

Knobs can be set to one of three functions. The current setting can be confirmed by viewing the **VOLUME MODE** indicators.

TRIM (microphone input)

Choose this setting to adjust the microphone input level. When you change the setting, the track name display area below the meters shows the gain value for a while.

This has the same function as the input trim knobs on the front panel of the HS-P82 unit.



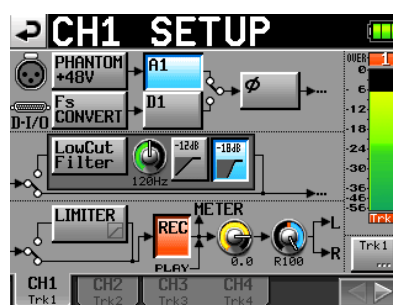
PAN (stereo positions sent to the stereo bus)

Choose this setting to set the left-right stereo position sent to the stereo bus. Turn it all the way to the left to send the signal completely to the left channel. Turn it all the way to the right to send the signal completely to the right channel. Send it to the center to send the signal equally to both left and right channels.

This has the same function as the PAN knob on the PAN/LVL page that opens when you touch the PAN/LVL button on the Home Screen and on the CHx SETUP screens (channel setting screens where "x" is the channel number) of the HS-P82 unit.



PAN/LVL page of the Home Screen



Channel setting screen

LEVEL (level sent to the stereo bus)

Choose this setting to adjust the level sent to the stereo bus.

This has the same function as the 2Mix LVL knob on the PAN/LVL page that opens when you touch the PAN/LVL button on the Home Screen and on the CHx SETUP screens (channel setting screens where "x" is the channel number) of the HS-P82 unit. Adjust it in a range from -∞ when turned all the way to the left and +10 dB when turned all the way to the right.

CAUTION

The same adjustments can be made using both this unit and the HS-P82. The adjustments made most recently will be used, regardless of which unit they were made with. For this reason, if you make an adjustment using

4 – Mixer Control Functions

the HS-P82 unit, the setting will differ from that last made using controls on this unit.

Faders

Faders can be set to one of two functions. The current setting can be confirmed by viewing the **FADER MODE** indicators.

TRIM (microphone input)

This has the same function as the input trim knobs on the front panel of the HS-P82 unit.

Choose this setting to adjust the microphone input level. When you change the setting, the track name display area below the meters shows the gain value for a while.

CAUTION

When set to TRIM, the fader scale does not correspond to the trim value.

LEVEL (level sent to the stereo bus)

This has the same function as the **2MIX LVL** knob on the **PAN/LVL** page that opens when you touch the **PAN/LVL** button on the Home Screen and on the **CHx SETUP** screens (channel setting screens where "x" is the channel number) of the HS-P82 unit. Adjust the level sent to the stereo bus in a range from $-\infty$ to +10 dB.

CAUTION

The same adjustments can be made using both this unit and the HS-P82. The adjustments made most recently will be used, regardless of which unit they were made with. For this reason, if you make an adjustment using the HS-P82 unit, the setting will differ from that last made using controls on this unit.

Monitoring

You can connect headphones to the **PHONES** jack of this unit, as you could with the **PHONES** jack of the HS-P82 unit and monitor the mix as you adjust the knobs and faders.

TIP

- The **PHONES** jack of this unit always outputs the signals from the **RETURN IN 1** and **RETURN IN 2** connectors used for communication. If you only want to monitor the recording, turn the **RETURN IN 1** and **RETURN IN 2** knobs all the way down.
- If the **SOLO** key of either **RETURN IN (1/2)** is ON (indicator lit), the input through the **PHONES IN** jack is reduced -20 dB, making the monitored signal quiet. When just monitoring, turn both of these keys OFF (indicator unlit). For details, see "Listening to RETURN IN signals" on page 16.

Shortcut keys

Each channel has **SEL [REC]** and **SOLO [MUTE]** keys that can be used for the following shortcuts. The **STEREO MIX** also has a **SEL [REC]** key that works in the same manner.

SEL [REC] keys

Press one of these keys to open the channel setting screen ("CHx SETUP" screen) of the corresponding channel on the color display on the HS-P82 unit.

While pressing and holding the **SHIFT** key, press this key for a channel to enable/disable recording on that channel.

SOLO [MUTE] keys

Press one of these keys to enable/disable the solo function for the corresponding channel.

While pressing and holding the **SHIFT** key, press this key for a channel to enable/disable the recording mute function on that channel.

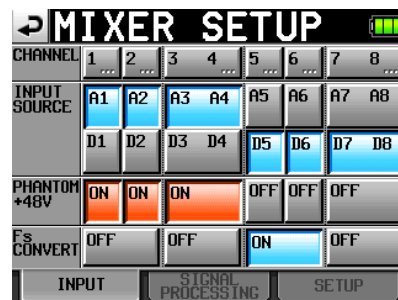
When the recording mute function is enabled, the recording level is set to $-\infty$. If the channel is enabled for recording, silence will be recorded. The level sent to the stereo bus will also be $-\infty$.

Direct access keys

Use these keys to directly open pages of the **MIXER SETUP** screen on the HS-P82 unit, as well as the **RC-F82** page of the **REMOTE SETUP** screen where you can make settings for this unit. In addition, you can set how these keys function when used while pressing and holding the **SHIFT** key, so that you can use them to open the screens that you want directly.

INPUT [F1] key

Press this key to open the **INPUT** page of the **MIXER SETUP** screen on the color display of the HS-P82 unit.



Press this key while pressing the **SHIFT** key to use the **[F1]** function.

SIGNAL PROCESSING [F2] key

Press this key to open the **SIGNAL PROCESSING** page of the **MIXER SETUP** screen on the color display of the HS-P82 unit.

4 – Mixer Control Functions



Press this key while pressing the **SHIFT** key to use the **[F2]** function.

SETUP [F3] key

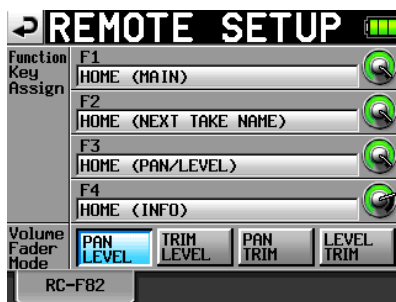
Press this key to open the **SETUP** page of the **MIXER SETUP** screen on the color display of the HS-P82 unit.



Press this key while pressing the **SHIFT** key to use the **[F3]** function.

REMOTE SETUP [F4] key

Press this key to open the **RC-F82** page of the **REMOTE SETUP** screen on the color display of the HS-P82 unit.



Press this key while pressing the **SHIFT** key to use the **[F4]** function.

Function keys

You can set each of the **[F1]** – **[F4]** function keys as shortcut keys that directly open screens on the HS-P82 unit.

Use the **Function Key Assign** item on the **RC-F82** page of the **REMOTE SETUP** screen of the HS-P82 unit. The setting options are as follows.

Setting	Functions
HOME (MAIN)	Opens the Home Screen
HOME (NEXT TAKE NAME)	Opens the NEXT TAKE NAME page of the Home Screen
HOME (PAN/LEVEL)	Opens the PAN/LEVEL page of the Home Screen
HOME (INFO)	Opens the INFO page of the Home Screen
MARK LIST	Opens the MARK LIST screen
BATTERY	Opens the BATTERY screen
REC (OPTIONS)	Opens the OPTIONS page of the REC SETUP screen
SYNC (CLOCK)	Opens the CLOCK page of the SYNC T/C screen
SYNC (TIMECODE)	Opens the TIMECODE page of the SYNC T/C screen
MIXER (LowCutFilter)	Opens the LOW CUT FILTER page for making mixer settings
SYSTEM (ALARM TONE)	Opens the ALARM TONE page of the SYSTEM SETUP screen
SLATE (MIC)	While pressing the key, the signal input through the HS-P82's slate microphone is input to the tracks armed for recording
SLATE (TONE)	While pressing the key, the slate tone (built-in oscillator) signal is input to the tracks armed for recording

5 – Transport Control Functions

This unit has transport keys that function in the same way as those on the HS-P82 unit for recording, playback and searching forward and backward, for example.

Recording

Press the **REC** key to start recording.

Press this key while recording, to stop recording to the current file, but continue recording to a new file without pause.

Press the **STOP [RETAKE]** key to stop recording.

While pressing and holding the **SHIFT** key, press the **STOP [RETAKE]** key to erase the last recorded take (retake function).

Playback

Using the HS-P82 unit, select the scene that contains the take that you want to play back.

Using the HS-P82 unit, select the take that you want to play back.

Press the **PLAY [CALL]** key to start playback of that take.

Press the **STOP [RETAKE]** key to stop playback.

Press the **PAUSE** key to pause playback. The **PAUSE** key lights when playback is paused.

When playback is paused, press the **PLAY [CALL]** key to resume playback.

Press the **◀◀** or **▶▶** key briefly to switch takes.

Press and hold the **◀◀** or **▶▶** key to search backward or forward.

While pressing the **SHIFT** key, press the **PLAY [CALL]** key to locate to the point where playback was last started from standby (CALL function).

NOTE

The transport keys function in the same way as those on the HS-P82. For details see “4 – Recording and Playback” in the HS-P82 Owner’s Manual.

Adding marks

Press the **MARK** key to create a mark at the current time. One file (take) can have a maximum of 99 marks, including automatically-created marks.

NOTE

The **MARK** key functions in the same way as the one on the HS-P82. For details see “7 – Mark and Locate Functions” in the HS-P82 Owner’s Manual.

6 – Communication functions

With the built-in microphone and headphones connected to the **PHONES** jack, you can use this unit to communicate with remote crew. To communicate with people using other devices, connect this unit's **LINE OUT 2/TALKBACK** connectors to the inputs on devices that you want to communicate through, and connect those devices' outputs to this unit's **RETURN IN 1** and **RETURN IN 2** connectors.

Communicating with the built-in microphone (TALKBACK)

The signal from the built-in microphone can be output through the **LINE OUT 2/TALKBACK** connectors.

- 1 Set the **TO LINE OUT 2** switch to **ON**.
- 2 Speak in the direction of the built-in microphone while pressing the **TALKBACK** key.
- 3 Sound input through this unit's built-in microphone is output to the devices connected to the **LINE OUT 2/TALKBACK** connectors.

Listening to RETURN IN signals

Sound output from devices connected to the **RETURN IN 1** and **RETURN IN 2** connectors is mixed with the input signal from the **PHONES IN** jack. This allows you to listen to communication from other devices while monitoring the recording signal.

The signals input through the **RETURN IN 1** and **RETURN IN 2** connectors are adjusted separately using the **RETURN IN 1** and **RETURN IN 2** knobs, respectively. Each also has a **SOLO** key that reduces the signal input through the **PHONES IN** jack by -20 dB when **ON** before mixing its signal with the signals input through the **RETURN IN** connectors in the analog domain.

		SOLO 1	
		OFF	ON
SOLO 2	OFF	R1+R2+P	R1+P'
	ON	R2+P'	R1+R2+P'

R1: RETURN IN 1 input signal

R2: RETURN IN 2 input signal

P: PHONES IN input signal

P': PHONES IN input signal reduced -20 dB

Setting the headphones output (PHONES)

The signals input through **RETURN IN 1** and **RETURN IN 2** connectors are mixed in the analog domain with the signal input through the **PHONES IN** jack and then the mix is output through the **PHONES** jack. Use the **PHONES** knob to adjust the volume.

Use the **L MONO** and **R MONO** keys to select the mono signal of the left or right channel. When both **L MONO** and **R MONO** keys are **ON**, the left and right channel signals are mixed and output as a single mono signal.

Inputs and outputs

Inputs

■ Analog inputs

LINE IN connectors

Balanced connectors: XLR-3-31 (1: GND, 2: HOT, 3: COLD)

Nominal input level: Dependent on HS-P82 settings

Maximum input level: Dependent on HS-P82 settings

Pass-through to **LINE OUT 1**

Pass-through to **LINE OUT 2** (when **TALKBACK TO LINE OUT 2** switch **OFF**)

RETURN IN connectors

Balanced connectors: XLR-3-31 (1: GND, 2: HOT, 3: COLD)

Input impedance: 10 k Ω

Nominal input level: +4 dBu (1.23 Vrms)

Maximum input level: +24 dBu (12.28 Vrms)

PHONES IN connector

Connector: 1/4" (6.3 mm) stereo socket

Built-in mic

Omni directional, monaural

Outputs

■ Analog outputs

LINE OUT 1 connectors

Balanced connectors: XLR-3-32 (1: GND, 2: HOT, 3: COLD)

Nominal output level: Dependent on HS-P82 settings

Maximum output level: Dependent on HS-P82 settings

LINE IN pass-through output

LINE OUT 2 connectors

(When **TALKBACK TO LINE OUT 2** switch is **OFF**)

Balanced connectors: XLR-3-32 (1: GND, 2: HOT, 3: COLD)

Output impedance: Dependent on HS-P82 settings

Nominal output level: Dependent on HS-P82 settings

Maximum output level: Dependent on HS-P82 settings

LINE IN pass-through output

(when **TALKBACK TO LINE OUT 2** switch **ON**)

Pseudo-balanced

Output impedance: 150 Ω

Nominal output level: -8 dBu (0.3 Vrms)

Maximum output level: +8 dBu (2.0 Vrms)

Internal Microphone signal is routed to this output

PHONES connector

Connector: 1/4" (6.3 mm) stereo socket

Maximum output level: 90 mW + 90 mW

(1 kHz, THD+N 0.1%, into 32 Ω)

Control input/output

MAIN UNIT connector

Connector: 6-pin mini-DIN socket

KEYBOARD connector

Connector: 6-pin mini-DIN (PS/2) socket

Other specifications

Voltage

DC 5V (supplied by the HS-P82 unit)

Power consumption

1 W or less

External dimensions

270 x 63 x 260 mm/10.63 x 2.48 x 10.24 in. (width x height x depth, excluding protrusions)

Weight

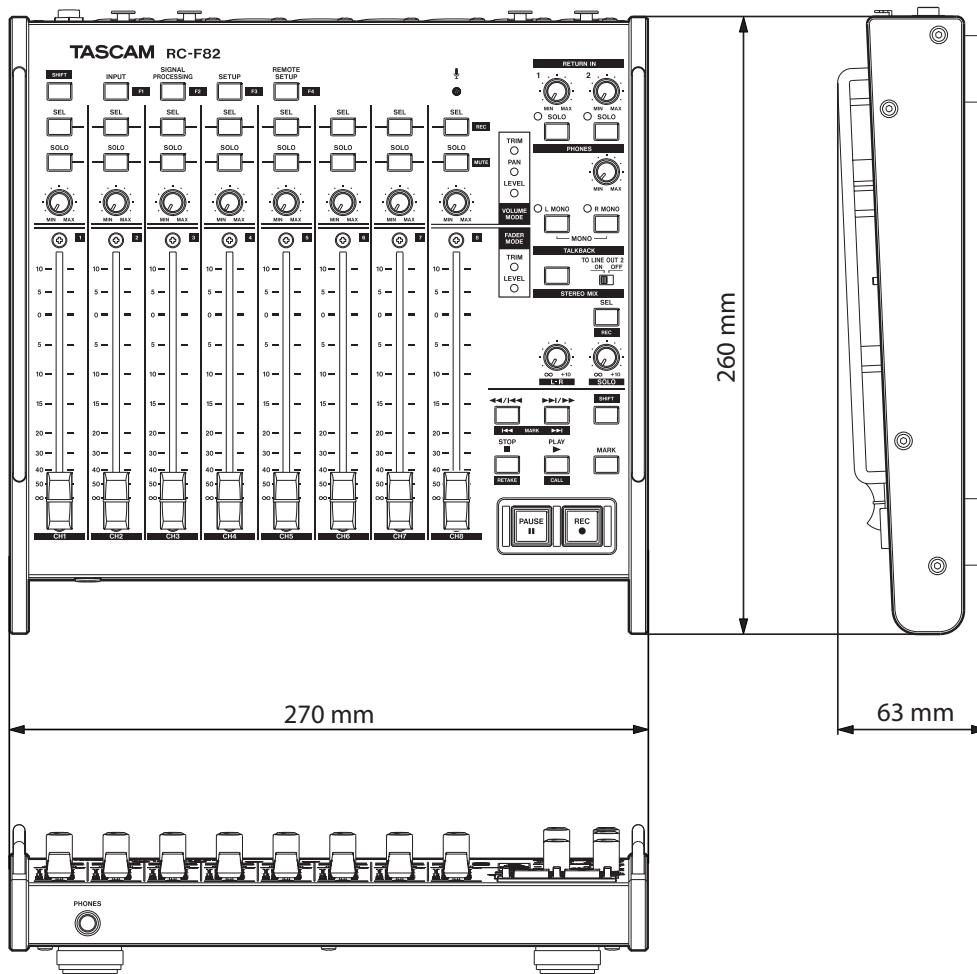
2.5 kg/5.512 lb

Operating temperature range

0 – 40° C/32 – 104°F

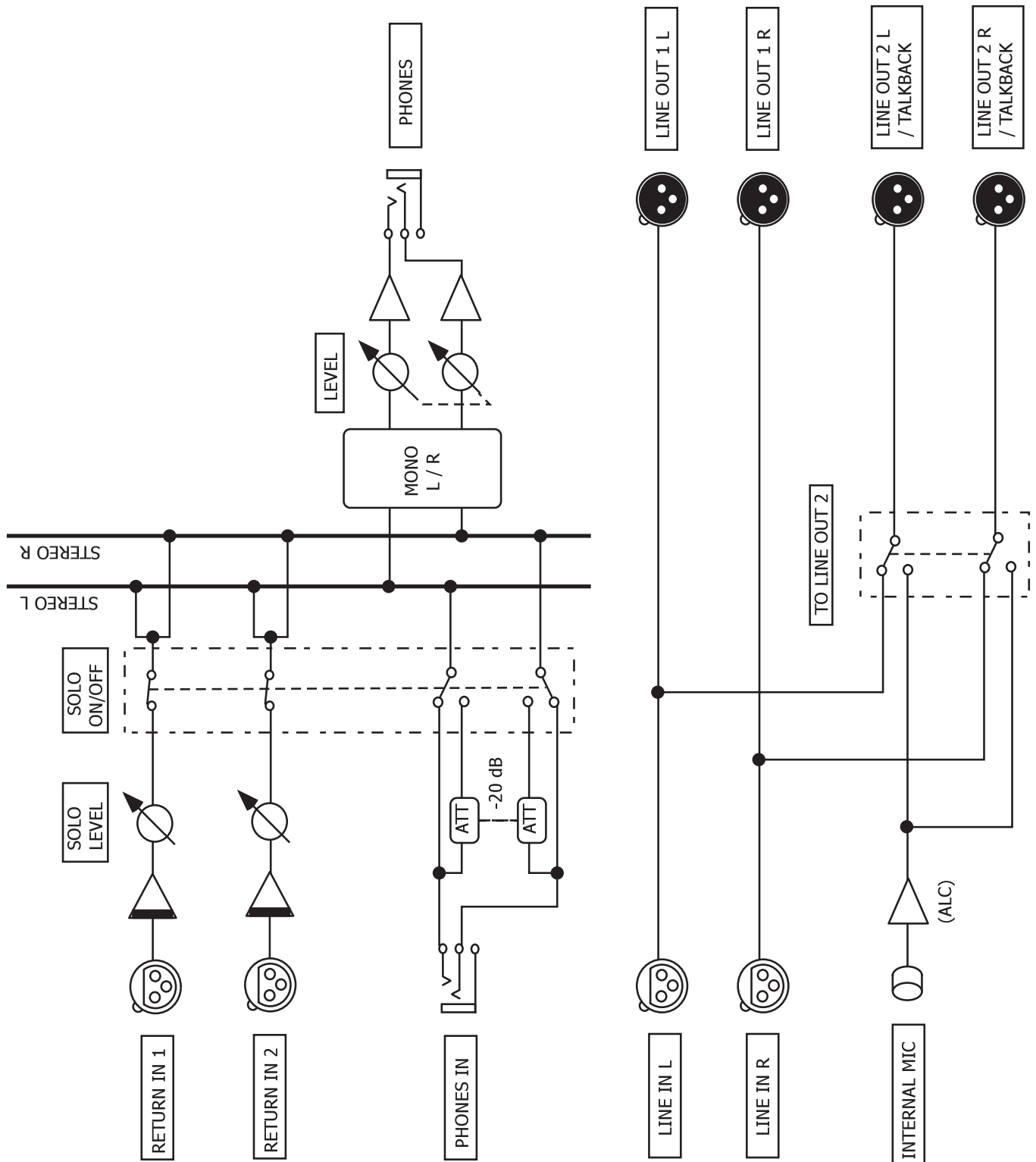
7 – Specifications

Dimensional drawing



- Illustrations in this manual may differ in part from the actual product.
- Specifications and the external appearance may be changed without notification to improve the product.

Block diagram



TASCAM

RC-F82

TEAC CORPORATION

Phone: +81-42-356-9143

1-47 Ochiai, Tama-shi, Tokyo 206-8530, Japan

www.tascam.jp

TEAC AMERICA, INC.

Phone: +1-323-726-0303

7733 Telegraph Road, Montebello, California 90640 USA

www.tascam.com

TEAC CANADA LTD.

Phone: +1905-890-8008 Facsimile: +1905-890-9888

5939 Wallace Street, Mississauga, Ontario L4Z 1Z8, Canada

www.tascam.com

TEAC MEXICO, S.A. de C.V.

Phone: +52-55-5010-6000

Río Churubusco 364, Colonia Del Carmen, Delegación Coyoacán, CP 04100, México DF, México

www.teacmexico.net

TEAC UK LIMITED

Phone: +44-8451-302511

Suites 19 & 20, Building 6, Croxley Green Business Park, Hatters Lane, Watford, Hertfordshire, WD18 8TE, UK

www.tascam.co.uk

TEAC EUROPE GmbH

Phone: +49-611-71580

Bahnstrasse 12, 65205 Wiesbaden-Erbenheim, Germany

www.tascam.de

Printed in China

Free Manuals Download Website

<http://myh66.com>

<http://usermanuals.us>

<http://www.somanuals.com>

<http://www.4manuals.cc>

<http://www.manual-lib.com>

<http://www.404manual.com>

<http://www.luxmanual.com>

<http://aubethermostatmanual.com>

Golf course search by state

<http://golfingnear.com>

Email search by domain

<http://emailbydomain.com>

Auto manuals search

<http://auto.somanuals.com>

TV manuals search

<http://tv.somanuals.com>