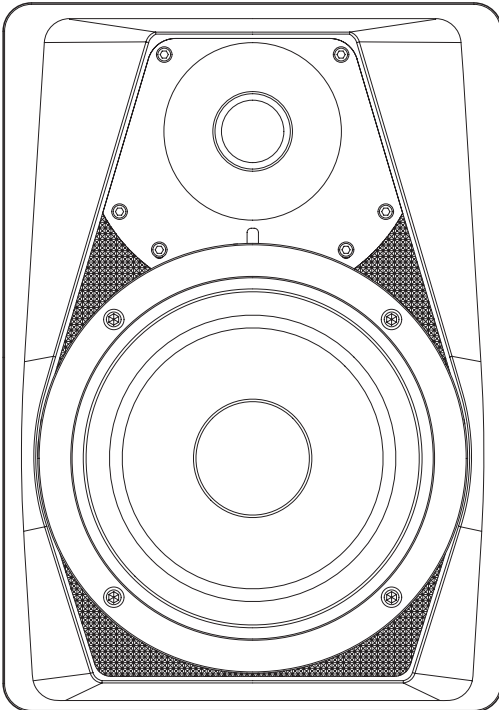


TASCAM

D01254000A

VL-S5

Powered Studio Monitor



OWNER'S MANUAL

ENGLISH

MODE D'EMPLOI

FRANÇAIS

MANUAL DEL USUARIO

ESPAÑOL

BEDIENUNGSANLEITUNG

DEUTSCH

MANUALE DI ISTRUZIONI

ITALIANO

取扱説明書

日本語

- TASCAM is a trademark of TEAC CORPORATION, registered in the U.S. and other countries.
- Other company names, product names and logos in this document are the trademarks or registered trademarks of their respective owners.

ティアック株式会社

<http://tascam.jp/>

〒206-8530 東京都多摩市落合1-47

TEAC AMERICA, INC.

<http://tascam.com/>

Phone: +1-323-726-0303

1834 Gage Road, Montebello, California 90640
USA

TEAC MEXICO, S.A. de C.V.

<http://teacmexico.net/>

Phone: +52-55-5010-6000

Río Churubusco 364, Colonia Del Carmen, Delegación Coyoacán, CP 04100, México DF, México

TEAC UK LIMITED

<http://tascam.eu/>

Phone: +44-8451-302511

Meridien House, Ground Floor, 69 - 71, Clarendon Road, Watford, Hertfordshire, WD17 1DS, UK

TEAC EUROPE GmbH

<http://tascam.eu/>

Phone: +49-611-71580

Bahnstrasse 12, 65205 Wiesbaden-Erbenheim, Germany

TEAC SALES & TRADING(SHENZHEN) CO., LTD

Phone: +86-755-88311561~2

Room 817, Block A, Hailrun Complex, 6021 Shennan Blvd., Futian District, Shenzhen 518040, China

IMPORTANT SAFETY PRECAUTIONS



CAUTION
RISK OF ELECTRIC SHOCK
DO NOT OPEN



CAUTION: TO REDUCE THE RISK OF ELECTRIC SHOCK, DO NOT REMOVE COVER (OR BACK). NO USER-SERVICEABLE PARTS INSIDE. REFER SERVICING TO QUALIFIED SERVICE PERSONNEL.



The lightning flash with arrowhead symbol, within equilateral triangle, is intended to alert the user to the presence of uninsulated "dangerous voltage" within the product's enclosure that may be of sufficient magnitude to constitute a risk of electric shock to persons.



The exclamation point within an equilateral triangle is intended to alert the user to the presence of important operating and maintenance (servicing) instructions in the literature accompanying the appliance.

WARNING: TO PREVENT FIRE OR SHOCK HAZARD, DO NOT EXPOSE THIS APPLIANCE TO RAIN OR MOISTURE.

For U.S.A.

This equipment complies with Part 15 of FCC Rules. Operation is subject to the following two conditions:

- 1) This device may not cause interference and
- 2) This device must accept any interference, including interference that may cause undesired operation of the device.

INFORMATION TO THE USER

This equipment has been tested and found to comply with the limits for a Class A digital device, pursuant to Part 15 of the FCC Rules. These limits are designed to provide reasonable protection against harmful interference when the equipment is operated in a commercial environment. This equipment generates, uses, and can radiate radio frequency energy and, if not installed and used in accordance with the instruction manual, may cause harmful interference to radio communications.

Operation of this equipment in a residential area is likely to cause harmful interference in which case the user will be required to correct the interference at his own expense.

CAUTION

Changes or modifications to this equipment not expressly approved by TEAC CORPORATION for compliance could void the user's authority to operate this equipment.

IN USA/CANADA, USE ONLY ON 120 V SUPPLY.

For Canada

THIS CLASS A DIGITAL APPARATUS COMPLIES WITH CANADIAN ICES-003.

CET APPAREIL NUMERIQUE DE LA CLASSE A EST CONFORME A LA NORME NMB-003 DU CANADA.

DECLARATION OF CONFORMITY

We, TEAC EUROPE GmbH, Bahnstrasse 12, 65205 Wiesbaden-Erbenheim, Germany declare in own responsibility, the TEAC product described in this manual is in compliance with the corresponding technical standards.



CE Marking Information

- a) Applicable electromagnetic environment: E4
- b) The average half-cycle r.m.s. inrush current
 1. On initial switch-on: 1.77 Arms
 2. After a supply interruption of 5s: 1.46 Arms

For the customers in Europe

WARNING

This is a Class A product. In a domestic environment, this product may cause radio interference in which case the user may be required to take adequate measures.

WARNING

- Products with Class I construction are equipped with a power supply cord that has a grounding plug. The cord of such a product must be plugged into an AC outlet that has a protective grounding connection.

IMPORTANT SAFETY INSTRUCTIONS

- 1 Read these instructions.
- 2 Keep these instructions.
- 3 Heed all warnings.
- 4 Follow all instructions.
- 5 Do not use this apparatus near water.
- 6 Clean only with dry cloth.
- 7 Do not block any ventilation openings. Install in accordance with the manufacturer's instructions.
- 8 Do not install near any heat sources such as radiators, heat registers, stoves, or other apparatus (including amplifiers) that produce heat.
- 9 Do not defeat the safety purpose of the polarized or grounding-type plug. A polarized plug has two blades with one wider than the other. A grounding type plug has two blades and a third grounding prong. The wide blade or the third prong are provided for your safety. If the provided plug does not fit into your outlet, consult an electrician for replacement of the obsolete outlet.
- 10 Protect the power cord from being walked on or pinched particularly at plugs, convenience receptacles, and the point where they exit from the apparatus.
- 11 Only use attachments/accessories specified by the manufacturer.
- 12 Use only with the cart, stand, tripod, bracket, or table specified by the manufacturer, or sold with the apparatus. When a cart is used, use caution when moving the cart/apparatus combination to avoid injury from tip-over.
- 13 Unplug this apparatus during lightning storms or when unused for long periods of time.
- 14 Refer all servicing to qualified service personnel. Servicing is required when the apparatus has been damaged in any way, such as power-supply cord or plug is damaged, liquid has been spilled or objects have fallen into the apparatus, the apparatus has been exposed to rain or moisture, does not operate normally, or has been dropped.
 - The apparatus draws nominal non-operating power from the AC outlet with its POWER or STANDBY/ON switch not in the ON position.
 - The mains plug is used as the disconnect device, the disconnect device shall remain readily operable.




- Caution should be taken when using earphones or headphones with the product because excessive sound pressure (volume) from earphones or headphones can cause hearing loss.
- If you are experiencing problems with this product, contact TEAC for a service referral. Do not use the product until it has been repaired.

CAUTION

- Do not expose this apparatus to drips or splashes.
- Do not place any objects filled with liquids, such as vases, on the apparatus.
- Do not install this apparatus in a confined space such as a book case or similar unit.
- The apparatus should be located close enough to the AC outlet so that you can easily grasp the power cord plug at any time.
- If the product uses batteries (including a battery pack or installed batteries), they should not be exposed to sunshine, fire or excessive heat.
- CAUTION for products that use replaceable lithium batteries: there is danger of explosion if a battery is replaced with an incorrect type of battery. Replace only with the same or equivalent type.

■ For European Customers

Disposal of electrical and electronic equipment

- (a) All electrical and electronic equipment should be disposed of separately from the municipal waste stream via designated collection facilities appointed by the government or the local authorities.
- (b) By disposing of the electrical and electronic equipment correctly, you will help save valuable resources and prevent any potential negative effects on human health and the environment.
- (c) Improper disposal of waste equipment can have serious effects on the environment and human health as a result of the presence of hazardous substances in electrical and electronic equipment.
- (d) The crossed out wheeled dust bin symbol indicates that electrical and electronic equipment must be collected and disposed of separately from household waste.
- (e) The return and collection systems are available to the end users. For more detailed information about disposal of old electrical and electronic equipment, please contact your city office, waste disposal service or the shop where you purchased the equipment.

Contents

IMPORTANT SAFETY PRECAUTIONS	3
IMPORTANT SAFETY INSTRUCTIONS.....	4
Introduction.....	5
Features.....	5
Included items	5
Conventions used in this manual	5
Precautions for placement and use.....	6
Beware of condensation	6
Cleaning the unit	6
Using the TEAC Global Site	6
User registration.....	6
Names and functions of parts.....	6
Front panel.....	6
Rear panel	7
Preparation.....	7
Precautions before making connections.....	7
Connections	7
Installation	7
Specifications.....	8
General.....	8
Dimensional drawings	8

Introduction

Thank you very much for purchasing the TASCAM VL-S5 Powered Studio Monitor.

Before using this speaker, read this Owner's Manual carefully so that you will be able to work with it correctly and enjoy having it for many years. After you have finished reading this manual, please keep it in a safe place for future reference.

You can also download this Owner's Manual from the TEAC Global Site (<http://teac-global.com/>).

Features

- 5.25-inch woofer
- 1-inch tweeter
- 40W-bass/30W-treble bi-amplification
- Balanced XLR and balanced/unbalanced TRS input jacks
- Built-in volume control
- Magnetic shielding

Included items

This product includes the following items.

Take care when opening the package not to damage the items. Keep the box and packing materials for transportation in the future.

Please contact us if any of these items are missing or have been damaged during transportation.

- Main unit.....× 1
- Power cord.....× 1
- Owner's Manual (this document) including warranty.....× 1

Conventions used in this manual

The following conventions are used in this manual.

- Buttons, connectors and other physical parts of this unit are written using a bold font like this: **POWER** switch.

Precautions for placement and use

- The operating temperature range of this unit is 5–35 °C.
- Do not install this unit in the following types of locations. Doing so could degrade the sound quality and/or cause malfunctions.
 - Places with significant vibrations
 - Near windows or other places exposed to direct sunlight
 - Near heaters or other extremely hot places
 - Extremely cold places
 - Places with bad ventilation or high humidity
- To enable good heat dissipation, do not place anything on top of the unit.
- Do not place the unit on top of a power amplifier or other device that generates heat.
- If this unit is placed near a power amplifier or other device with a large transformer, it could cause a hum. If this occurs, increase the distance between this unit and the other device.
- This unit could cause color irregularities on a TV screen or noise from a radio if used nearby. If this occurs, use this unit farther away.
- This unit might produce noise if a mobile phone or other wireless device is used nearby to make calls or send or receive signals. If this occurs, increase the distance between this unit and those devices or turn them off.

Beware of condensation

If the unit is moved from a cold to a warm place, or used after a sudden temperature change, there is a danger of condensation; vapor in the air could condense on the internal mechanism, making correct operation impossible. To prevent this, or if this occurs, let the unit sit for one or two hours at the new room temperature before using it.

Cleaning the unit

Use a dry soft cloth to wipe the unit clean. Do not wipe with chemical cleaning cloths, thinner, alcohol or other chemical agents. Doing so could damage the surface or cause discoloration.

Using the TEAC Global Site

You can download this Owner's Manual necessary for this unit from the TEAC Global Site (<http://teac-global.com/>).

1. Open the TEAC Global Site (<http://teac-global.com/>).
2. In the TASCAM Downloads section, click the desired language to open the Downloads website page for that language.

NOTE

If the desired language does not appear, click Other Languages.

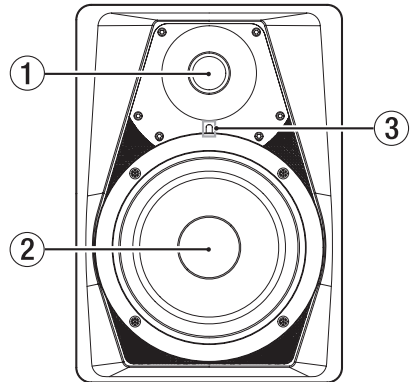
3. Click the product name in the "Search by Model Name" section to open the Downloads page for that product.
4. Select and download the Owner's Manual and the Reference Manual that are needed.

User registration

Customers in the USA, please visit the TASCAM website (<http://tascam.com/>) to register as a user online.

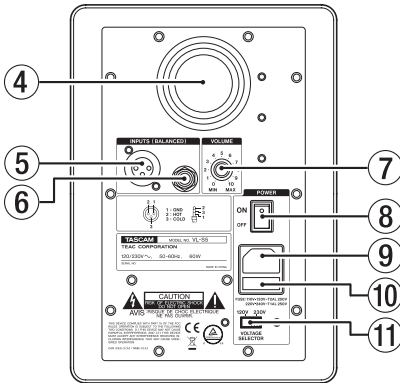
Names and functions of parts

Front panel



- ① Tweeter unit
- ② Woofer unit
- ③ Power indicator

Rear panel



- ④ **Ventilation port**
- ⑤ **XLR input jack**
- ⑥ **TRS input jack**
- ⑦ **VOLUME knob**
- ⑧ **POWER switch**
- ⑨ **AC IN connector**
- ⑩ **Fuse holder**

This unit is equipped with a fuse.

If the unit does not work, disconnect the power plug from the AC outlet and then contact TASCAM Customer Support (see page 2).

- ⑪ **VOLTAGE SELECTOR switch**
Switches the voltage to either 230 V or 120 V.

NOTE

- *The voltage selector is only available on units for specific markets.*
- *In North America, use a 120V power supply.*

Preparation

Precautions before making connections

- When unpacking a speaker from its box, do not hold it by its tweeter or woofer units.
- Connect signal cables and power cords so that they will not become caught on anything.
- Before turning the built-in amplifier on, minimize the volume of the input signal. Turning it on while inputting a loud signal could damage the speaker.
- Do not continuously use it for a long time at a loud volume. Doing so could harm your hearing.

- This speaker system has been magnetically shielded, but when used with some types of televisions and monitors, the on-screen image could be affected. Before determining the final installation position, try various installation configurations and positions.
- Use power cords, power outlets, audio signal cables and connectors that are undamaged and free of wiring shorts and other defects.
- Set the power switch to OFF before connecting the power cord.
- Do not input signals other than audio signals.
- Before connecting an audio signal to this unit, confirm that the level of the input signal is minimized and the power switch of the built-in power amplifier is set to OFF.
- Always use the correct polarity.

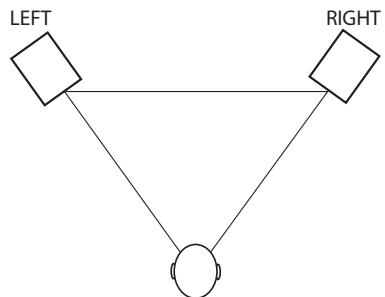
Connections

1. Set the **POWER** switch to OFF.
2. Connect the included power cord to the speaker and then to the power supply.
3. Input an audio signal to an input jack (XLR or TRS).

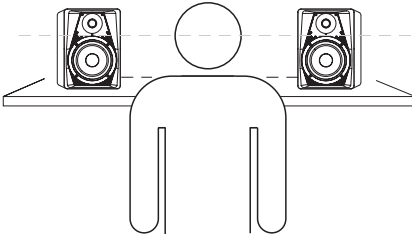
Installation

Installing speakers correctly is extremely important. The volume of low frequencies will seem to change according to the positions where the speakers are installed. Test various installation positions to find the best places for maximizing the capabilities of the speakers.

- For a stereo set up, place the speakers so that they form an equilateral triangle with the listening position.



- Install each speaker so that the top of its woofer is at ear height.



- Do not install speakers near mirrors, glass or other surfaces that reflect sound. Do not place anything between the speakers and the listening position.

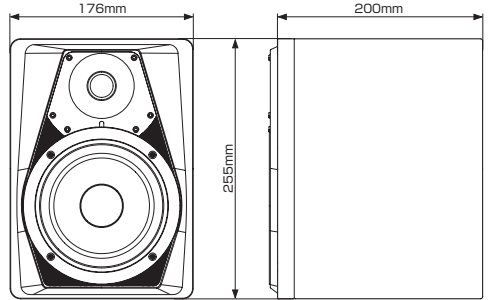
■ **Dimensions (W × H × D)**

176 × 255 × 200 mm

■ **Weight**

5.2 kg

Dimensional drawings



- Illustrations and other depictions may differ in part from the actual product.
- Specifications and external appearance may be changed without notification to improve the product.

Specifications

General

■ **Low frequency output**

40 W

■ **High frequency output**

30 W

■ **Speaker unit**

5.25-inch woofer

1-inch tweeter

■ **Enclosure**

Anti-magnetic construction

■ **Frequency response**

60 Hz – 22 kHz

■ **Crossover frequency**

3.2 kHz

■ **Input Sensitivity**

200 mV

■ **Input jacks**

Balanced XLR and balanced/unbalanced TRS

■ **Input impedance**

20 kΩ balanced, 10 kΩ unbalanced

■ **Power Requirement**

AC 120V, 50/60 Hz

AC 230V, 50/60 Hz

■ **Power consumption**

60 W

Mode d'emploi

PRÉCAUTIONS DE SÉCURITÉ IMPORTANTES



CAUTION
RISK OF ELECTRIC SHOCK
DO NOT OPEN



ATTENTION : POUR RÉDUIRE LE RISQUE D'ÉLECTROCUTION, NE RETIREZ PAS LE CAPOT (OU L'ARRIÈRE). AUCUNE PIÈCE INTERNE N'EST RÉPARABLE PAR L'UTILISATEUR. CONFIEZ TOUTE RÉPARATION À UN SERVICE APRÈS-VENTE QUALIFIÉ.



Le symbole d'éclair à tête de flèche dans un triangle équilatéral sert à prévenir l'utilisateur de la présence dans l'enceinte du produit d'une « tension dangereuse » non isolée d'une grandeur suffisante pour constituer un risque d'électrocution pour les personnes.



Le point d'exclamation dans un triangle équilatéral sert à prévenir l'utilisateur de la présence d'instructions importantes de fonctionnement et de maintenance (entretien) dans les documents accompagnant l'appareil.

AVERTISSEMENT : POUR PRÉVENIR LES RISQUES D'INCENDIE ET D'ÉLECTROCUTION, N'EXPOSEZ PAS CET APPAREIL À LA PLUIE NI À L'HUMIDITÉ.

AUX USA/CANADA, UTILISEZ UNIQUEMENT UNE TENSION D'ALIMENTATION DE 120 V.

Pour le Canada

THIS CLASS A DIGITAL APPARATUS COMPLIES WITH CANADIAN ICES-003.

CET APPAREIL NUMÉRIQUE DE LA CLASSE A EST CONFORME À LA NORME NMB-003 DU CANADA.

DÉCLARATION DE CONFORMITÉ

Nous, TEAC EUROPE GmbH, Bahnstrasse 12, 65205 Wiesbaden-Erbenheim, Allemagne, déclarons sous notre propre responsabilité que le produit TEAC décrit dans ce mode d'emploi est conforme aux normes techniques lui correspondant.



Informations sur le marquage CE

- Environnement électromagnétique applicable : E4
- Courant d'appel r.m.s. moyen de la demi-période
 - À la mise sous tension initiale : 1,77 Arms
 - Après une interruption d'alimentation de 5 s : 1,46 Arms

Pour les utilisateurs en Europe

AVERTISSEMENT

Il s'agit d'un produit de Classe A. Dans un environnement domestique, cet appareil peut provoquer des interférences radio. Dans ce cas, l'utilisateur peut être amené à prendre des mesures appropriées.

AVERTISSEMENT

- Les produits ayant une construction de Classe I sont équipés d'un cordon d'alimentation avec une fiche de terre. Le cordon d'un tel produit doit être branché dans une prise secteur avec terre de sécurité.

INSTRUCTIONS DE SÉCURITÉ IMPORTANTES

- 1 Lisez ces instructions.
- 2 Conservez ces instructions.
- 3 Tenez compte de tous les avertissements.
- 4 Suivez toutes les instructions.
- 5 N'utilisez pas cet appareil avec de l'eau à proximité.
- 6 Ne nettoyez l'appareil qu'avec un chiffon sec.
- 7 Ne bloquez aucune ouverture de ventilation. Installez-le conformément aux instructions du fabricant.
- 8 Ne l'installez pas près de sources de chaleur telles que des radiateurs, bouches de chauffage, poêles ou autres appareils (y compris des amplificateurs) dégageant de la chaleur.
- 9 Ne neutralisez pas la fonction de sécurité de la fiche polarisée ou de terre. Une fiche polarisée a deux broches, l'une plus large que l'autre. Une fiche de terre a deux broches identiques et une troisième broche pour la mise à la terre. La broche plus large ou la troisième broche servent à votre sécurité. Si la fiche fournie n'entre pas dans votre prise, consultez un électricien pour le remplacement de la prise obsolète.
- 10 Évitez de marcher sur le cordon d'alimentation et de le pincer, en particulier au niveau des fiches, des prises secteur, et du point de sortie de l'appareil.
- 11 N'utilisez que des fixations/accessoires spécifiés par le fabricant.
- 12 Utilisez-le uniquement avec des trépieds, supports ou tables spécifiés par le fabricant ou vendus avec l'appareil. Si un chariot est utilisé, faites attention à ne pas être blessé par un renversement lors du déplacement de l'ensemble chariot/appareil.
- 13 Débranchez cet appareil en cas d'orage ou de non utilisation prolongée.
- 14 Confiez toute réparation à des techniciens de maintenance qualifiés. Une réparation est nécessaire si l'appareil a été endommagé d'une quelconque façon, par exemple si le cordon ou la fiche d'alimentation est endommagé, si du liquide a été renversé sur l'appareil ou si des objets sont tombés dedans, si l'appareil a été exposé à la pluie ou à l'humidité, s'il ne fonctionne pas normalement, ou s'il est tombé.
 - L'appareil tire un courant nominal de veille de la prise secteur quand son interrupteur POWER ou STANDBY/ON n'est pas en position ON.
 - La fiche secteur est utilisée comme dispositif de déconnexion et doit donc toujours rester disponible.
 - Des précautions doivent être prises en cas d'utilisation d'écouteurs ou d'un casque avec le produit car une pression sonore excessive (volume



trop fort) dans les écouteurs ou dans le casque peut causer une perte auditive.

- Si vous rencontrez des problèmes avec ce produit, contactez TEAC pour une assistance technique. N'utilisez pas le produit tant qu'il n'a pas été réparé.

ATTENTION

- N'exposez pas cet appareil aux gouttes ni aux éclaboussures.
- Ne placez pas d'objet rempli de liquide sur l'appareil, comme par exemple un vase.
- N'installez pas cet appareil dans un espace confiné comme une bibliothèque ou un meuble similaire.
- L'appareil doit être placé suffisamment près de la prise de courant pour que vous puissiez à tout moment attraper facilement la fiche du cordon d'alimentation.
- Si le produit utilise des piles/batteries (y compris un pack de batteries ou des batteries fixes), elles ne doivent pas être exposées au soleil, au feu ou à une chaleur excessive.
- PRÉCAUTION pour les produits qui utilisent des batteries remplaçables au lithium : remplacer une batterie par un modèle incorrect entraîne un risque d'explosion. Remplacez-les uniquement par un type identique ou équivalent.

■ Pour les consommateurs européens

Mise au rebut des équipements électriques et électroniques

- (a) Tout équipement électrique et électronique doit être traité séparément de la collecte municipale d'ordures ménagères dans des points de collecte désignés par le gouvernement ou les autorités locales.
- (b) En vous débarrassant correctement des équipements électriques et électroniques, vous contribuerez à la sauvegarde de précieuses ressources et à la prévention de potentiels effets négatifs sur la santé humaine et l'environnement.
- (c) Le traitement incorrect des déchets d'équipements électriques et électroniques peut avoir des effets graves sur l'environnement et la santé humaine en raison de la présence de substances dangereuses dans les équipements.
- (d) Le symbole de poubelle sur roues barrée d'une croix indique que les équipements électriques et électroniques doivent être collectés et traités séparément des déchets ménagers.
- (e) Des systèmes de retour et de collecte sont disponibles pour l'utilisateur final. Pour des informations plus détaillées sur la mise au rebut des vieux équipements électriques et électroniques, veuillez contacter votre mairie, le service d'ordures ménagères ou le magasin dans lequel vous avez acheté l'équipement.

Sommaire

PRÉCAUTIONS DE SÉCURITÉ IMPORTANTES.....	9
INSTRUCTIONS DE SÉCURITÉ IMPORTANTES.....	10
Introduction	11
Caractéristiques	11
Éléments fournis.....	11
Conventions employées dans ce mode d'emploi ...	11
Précautions concernant l'emplacement et l'emploi	12
Attention à la condensation.....	12
Nettoyage de l'unité.....	12
Utilisation du site mondial TEAC.....	12
Enregistrement de l'utilisateur	12
Nomenclature et fonctions des parties.....	12
Face avant.....	12
Face arrière.....	13
Préparation	13
Précautions avant de faire les branchements ...	13
Branchements.....	13
Installation.....	13
Caractéristiques techniques.....	14
Générales.....	14
Dessins avec cotes.....	14

Introduction

Merci beaucoup d'avoir choisi le moniteur de studio amplifié VL-S5 de TASCAM.

Avant d'utiliser cette enceinte, lisez attentivement ce mode d'emploi pour pouvoir employer correctement et en profiter durant de nombreuses années. Une fois la lecture de ce mode d'emploi terminée, veuillez à le conserver en lieu sûr pour référence ultérieure.

Vous pouvez aussi télécharger ce mode d'emploi depuis le site mondial de TEAC (<http://teac-global.com/>).

Caractéristiques

- Woofer de 5,25 pouces (13,3 cm)
- Tweeter de 1 pouce (25 mm)
- Bi-amplification 40 W pour les graves/30 W pour les aigus
- Prises d'entrée XLR symétrique et jack 6,35 mm 3 points symétrique/asymétrique
- Commande de volume intégrée
- Blindage magnétique

Éléments fournis

Ce produit est livré avec les éléments suivants.

Prenez soin de ne pas endommager ces éléments lors du déballage. Conservez la boîte et les matériaux d'emballage pour de futurs transports.

Veillez nous contacter si un de ces éléments est manquant ou a été endommagé durant le transport.

- Unité principale× 1
- Cordon d'alimentation secteur× 1
- Mode d'emploi (ce document) incluant la garantie.....× 1

Conventions employées dans ce mode d'emploi

Les conventions suivantes sont employées dans ce mode d'emploi.

- Les touches, connecteurs et autres parties physiques de cette unité sont indiqués au moyen de caractères gras comme ceci : interrupteur **POWER**.

Précautions concernant l'emplacement et l'emploi

- La plage de température de fonctionnement de cette unité se situe entre 5 °C et 35 °C.
- Ne placez pas cette unité dans les types d'emplacement suivants. Cela pourrait dégrader la qualité sonore ou causer des mauvais fonctionnements.

Lieux sujets à des vibrations importantes
Près de fenêtres ou en exposition directe au soleil

Près de chauffages ou dans des lieux extrêmement chauds

Lieux extrêmement froids

Lieux mal ventilés ou très humides

- Pour permettre une bonne dispersion thermique, ne placez rien sur le dessus de l'unité.
- Ne placez pas l'unité sur un amplificateur de puissance ou un autre appareil dégageant de la chaleur.
- Si cette unité est placée près d'un amplificateur de puissance ou d'un autre appareil à gros transformateur, cela peut entraîner un ronflement. Dans ce cas, augmentez la distance séparant cette unité de l'autre appareil.
- Si on l'utilise à proximité d'un récepteur de télévision ou de radio, cette unité peut entraîner des irrégularités de couleur ou des parasites. Si cela se produit, éloignez l'unité.
- Cette unité peut produire des parasites si un téléphone mobile ou autre appareil sans fil est utilisé à proximité pour passer des appels ou envoyer ou recevoir des signaux. Dans ce cas, augmentez la distance entre cette unité et les autres appareils ou éteignez-les.

Attention à la condensation

Si l'unité est déplacée d'un endroit froid à un endroit chaud, ou utilisée après un changement soudain de température, il existe un risque de condensation ; la vapeur de l'air peut se condenser sur le mécanisme interne, empêchant le bon fonctionnement. Pour empêcher cela ou si cela se produit, laissez l'unité une ou deux heures à la température de la nouvelle pièce avant de l'utiliser.

Nettoyage de l'unité

Essayez l'unité avec un chiffon sec et doux pour la nettoyer. Ne l'essuyez pas avec des lingettes de nettoyage contenant des produits chimiques, du diluant, de l'alcool ou d'autres agents chimiques. Cela pourrait endommager la surface ou causer une décoloration.

Utilisation du site mondial TEAC

Vous pouvez télécharger depuis le site mondial TEAC (<http://teac-global.com/>) ce mode d'emploi nécessaire à cette unité.

1. Allez sur le site mondial TEAC (<http://teac-global.com/>).
2. Dans la section TASCAM Downloads (téléchargements TASCAM), cliquez sur la langue souhaitée afin d'ouvrir la page de téléchargement du site web pour cette langue.

NOTE

*Si la langue désirée n'apparaît pas, cliquez sur **Other Languages (autres langues)**.*

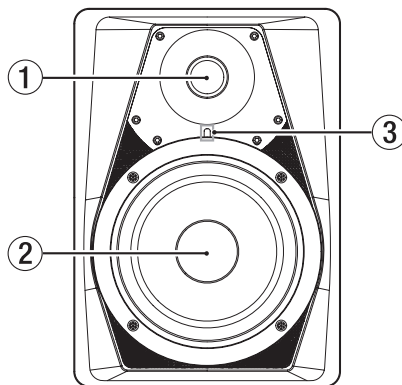
3. Cliquez sur le nom du produit dans la section « Produits » et ouvrez la page « Liens et téléchargements » de ce produit.
4. Sélectionnez et téléchargez le mode d'emploi et le manuel de référence nécessaires.

Enregistrement de l'utilisateur

Si vous êtes client aux USA, veuillez vous enregistrer en ligne comme utilisateur sur le site web TASCAM (<http://tascam.com/>)

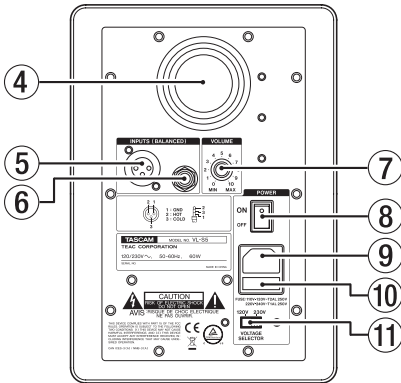
Nomenclature et fonctions des parties

Face avant



- ① **Tweeter (haut-parleur d'aigus)**
- ② **Woofer (haut-parleur de graves)**
- ③ **Voyant d'alimentation**

Face arrière



- ④ **Évent de ventilation**
- ⑤ **Prise d'entrée XLR**
- ⑥ **Prise d'entrée jack 6,35 mm 3 points**
- ⑦ **Bouton VOLUME**
- ⑧ **Interrupteur d'alimentation POWER**
- ⑨ **Connecteur d'alimentation secteur**
- ⑩ **Porte-fusible**

Cette unité est équipée d'un fusible.

Si l'unité ne fonctionne pas, débranchez son cordon d'alimentation de la prise de courant et contactez l'assistance clientèle TASCAM (voir page 2).
- ⑪ **Sélecteur de tension VOLTAGE SELECTOR**

Commute la tension de fonctionnement entre 230 V et 120 V.

NOTE

- *Le sélecteur de tension n'est disponible que sur les appareils destinés à certains marchés.*
- *En Amérique du Nord, utilisez une tension d'alimentation de 120 V.*

Préparation

Précautions avant de faire les branchements

- Lors du déballage d'une enceinte de sa boîte, ne la tenez pas par son tweeter ni par son woofer.
- Branchez les câbles de signal et d'alimentation de sorte que rien ne les percuete.
- Avant de mettre sous tension l'amplificateur intégré, baissez le volume du signal entrant. Mettre sous tension alors qu'un signal fort est reçu pourrait endommager l'enceinte.

- Ne l'utilisez pas à fort volume en continu et de façon prolongée. Cela pourrait endommager votre audition.
- Cette enceinte a été magnétiquement blindée, mais lorsqu'elle est utilisée près de certains types de téléviseurs et de moniteurs, l'image affichée à l'écran peut être altérée. Avant de déterminer son emplacement final d'installation, essayez différentes configurations et positions d'installation.
- Utilisez des cordons d'alimentation, des prises de courant, des câbles et connecteurs de signal audio non endommagés et exempts de courts-circuits et autres défauts.
- Réglez l'interrupteur d'alimentation **POWER** sur OFF avant de brancher le cordon d'alimentation.
- N'envoyez pas à l'unité d'autres signaux que des signaux audio.
- Avant de connecter un signal audio à cette unité, vérifiez que le niveau d'entrée est réduit et que l'interrupteur d'alimentation de l'amplificateur de puissance intégré est réglé sur OFF.
- Utilisez toujours la bonne polarité.

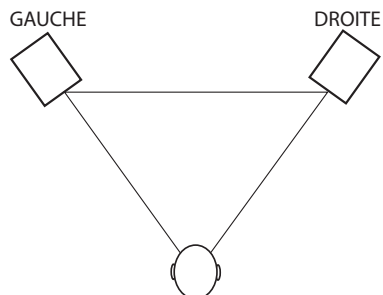
Branchements

1. Réglez l'interrupteur **POWER** sur OFF.
2. Connectez le cordon d'alimentation fourni à l'enceinte, puis à la prise de courant.
3. Faites entrer un signal audio dans une des prises d'entrée (XLR ou jack 6,35 mm 3 points).

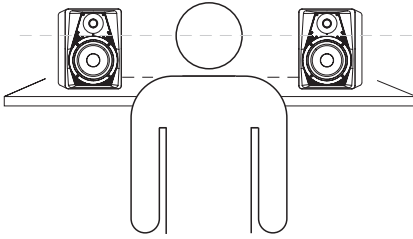
Installation

Installer correctement les enceintes est extrêmement important. Le volume des basses fréquences semblera changer en fonction de l'endroit où seront installées les enceintes. Essayez diverses positions d'installation afin de trouver les meilleurs endroits pour maximiser les capacités des enceintes.

- Pour une configuration stéréo, placez les enceintes de façon à ce qu'elles forment un triangle équilatéral avec la position d'écoute.



- Installez chacune pour que le haut de son woofer soit à hauteur d'oreille.



- N'installez pas les enceintes près de miroirs, de parois en verre ou d'autres surfaces réfléchissant le son. Ne placez rien entre les enceintes et la position d'écoute.

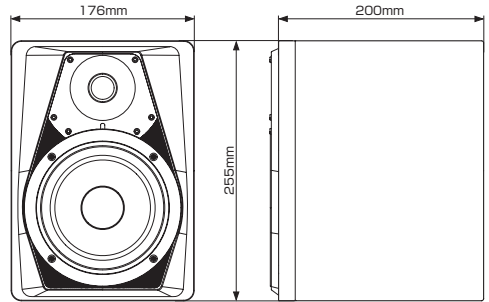
■ Dimensions (L × H × P)

176 × 255 × 200 mm

■ Poids

5,2 kg

Dessins avec cotes



- Les illustrations et autres descriptions peuvent partiellement différer du produit réel.
- Caractéristiques et aspect externe peuvent être changés sans préavis en vue d'améliorer le produit.

Caractéristiques techniques

Générales

■ **Puissance de sortie des basses fréquences**
40 W

■ **Puissance de sortie des hautes fréquences**
30 W

■ Haut-parleurs

Woofer de 5,25 pouces (13,3 cm)

Tweeter de 1 pouce (25 mm)

■ Enceinte

Construction anti-magnétique

■ Réponse en fréquence

60 Hz – 22 kHz

■ Fréquence de répartition (crossover)

3,2 kHz

■ Sensibilité d'entrée

200 mV

■ Prises d'entrée

XLR symétrique et jack 6,35 mm 3 points (TRS)

symétrique/asymétrique

■ Impédance d'entrée

20 kΩ symétrique, 10 kΩ asymétrique

■ Alimentation électrique

CA 120 V, 50/60Hz

CA 230 V, 50/60Hz

■ Consommation électrique

60 W

Manual de instrucciones

INSTRUCCIONES IMPORTANTES DE SEGURIDAD



CAUTION
RISK OF ELECTRIC SHOCK
DO NOT OPEN



PRECAUCIÓN: PARA REDUCIR EL RIESGO DE DESCARGAS ELÉCTRICAS, NO quite LA CARCASA (NI LA TAPA TRASERA). DENTRO DE LA UNIDAD NO HAY PIEZAS QUE PUEDAN SER REPARADAS POR EL USUARIO. CONSULTE CUALQUIER REPARACIÓN SOLO CON PERSONAL TÉCNICO CUALIFICADO.



El símbolo de un rayo dentro de un triángulo equilátero se usa internacionalmente para alertar al usuario de la presencia de "voltajes peligrosos" no aislados dentro de la carcasa del aparato que pueden ser de magnitud suficiente para constituir un riesgo real de descarga eléctrica para las personas.



El símbolo de exclamación dentro de un triángulo equilátero se utiliza para advertir al usuario de la existencia de importantes instrucciones de uso y mantenimiento (reparaciones) en los documentos que acompañan a la unidad.

CUIDADO: PARA EVITAR EL RIESGO DE INCENDIOS O DESCARGAS ELÉCTRICAS, NO EXPONGA ESTE APARATO A LA LLUVIA O LA HUMEDAD.

Para EE.UU.

Este aparato cumple con lo establecido en la sección 15 de las reglas FCC. Su funcionamiento está sujeto a las dos condiciones siguientes:

- 1) Este aparato no puede producir interferencias molestas y
- 2) Este aparato debe aceptar cualquier interferencia recibida, incluso aquellas que puedan producir un funcionamiento no deseado.

PARA EL USUARIO

Se ha verificado y comprobado que esta unidad cumple con los límites de un aparato digital de clase A, de acuerdo a la sección 15 de las normativas FCC. Estos límites han sido desarrollados para ofrecer una protección razonable contra las interferencias molestas que se pueden producir cuando se usa este aparato en un entorno no-profesional. Este aparato genera, utiliza y puede irradiar energía de radiofrecuencia y, si no es instalado y usado de acuerdo al manual de instrucciones, puede producir interferencias molestas en las comunicaciones de radio.

Si el aparato produce interferencias en las comunicaciones de radio o TV, será responsabilidad del usuario tomar las medidas adecuadas para evitarlas.

PRECAUCIÓN

Los cambios o modificaciones realizadas en este equipo que no hayan sido aprobadas expresamente por escrito por TEAC CORPORATION pueden anular la autorización del usuario para manejar este aparato.

EN ESTADOS UNIDOS/CANADÁ, UTILICE SOLO FUENTES DE ALIMENTACIÓN DE 120 V.

Para Canadá

ESTE APARATO DIGITAL DE CLASE A CUMPLE CON LA NORMATIVA CANADIENSE ICES-003.

CET APPAREIL NUMERIQUE DE LA CLASSE A EST CONFORME A LA NORME NMB-003 DU CANADA.

DECLARACIÓN DE CONFORMIDAD

Nosotros, TEAC EUROPE GmbH.

Bahnstrasse 12, 65205 Wiesbaden-

Erbenheim, Germany declaramos bajo

nuestra propia responsabilidad que el aparato TEAC descrito en este manual cumple con todos los standards técnicos aplicables.



Información de normativa CE

a) Entorno electromagnético aplicable: E4

b) Pico de corriente r.m.s. medio de semiciclo

1. En encendido inicial: 1,77 Arms

2. Tras un corte de corriente de 5 s: 1,46 Arms

Para los usuarios europeos

AVISO

Este es un aparato de clase A. En un entorno no profesional, este aparato puede producir interferencias de radio, en cuyo caso el usuario será el responsable de tomar las medidas adecuadas para evitarlo.

PRECAUCIÓN

- Los productos de Clase I están equipados con un cable de alimentación con toma de tierra. Debe conectar este tipo de cables a una salida de corriente con toma de tierra de seguridad.

INSTRUCCIONES IMPORTANTES DE SEGURIDAD

- 1 Lea estas instrucciones.
 - 2 Conserve estas instrucciones.
 - 3 Cumpla con lo indicado en los avisos.
 - 4 Siga todas las instrucciones.
 - 5 No utilice este aparato cerca del agua.
 - 6 Límpielo solo con un trapo seco.
 - 7 No bloquee ninguna de las ranuras de ventilación. Instale este aparato de acuerdo con las instrucciones del fabricante.
 - 8 No instale este aparato cerca de fuentes de calor como radiadores, calentadores, hornos u otros aparatos (incluyendo amplificadores) que produzcan calor.
 - 9 No elimine el sistema de seguridad que supone el enchufe polarizado o con toma de tierra. Un enchufe polarizado tiene dos bornes, uno más ancho que el otro. Uno con toma de tierra tiene dos bornes iguales y una tercera lámina para la conexión a tierra. El borne ancho o la lámina se incluyen para su seguridad. Si el enchufe que venga con la unidad no encaja en su salida de corriente, haga que un electricista cambie su salida anticuada.
 - 10 Evite que el cable de corriente quede de forma que pueda ser pisado o quedar retorcido o aplastado, especialmente en los enchufes, receptáculos o en el punto en el que salen del aparato.
 - 11 Use solo accesorios / complementos especificados por el fabricante.
 - 12 Utilice este aparato solo con un soporte, trípode, o bastidor especificado por el fabricante o que se venda con el propio aparato. Cuando utilice un bastidor con ruedas, tenga cuidado al mover la combinación de aparato/bastidor para evitar que vuelque y puedan producirse daños.
 - 13 Desconecte este aparato de la corriente durante las tormentas eléctricas o cuando no lo vaya a usar durante un periodo de tiempo largo.
 - 14 Dirija cualquier posible reparación solo al servicio técnico oficial. Este aparato deberá ser reparado si se ha dañado de alguna forma, como por ejemplo si el cable de corriente o el enchufe están rotos, si ha sido derramado algún líquido sobre la unidad o algún objeto ha sido introducido en ella, si ha quedado expuesto a la lluvia o la humedad, si no funciona normalmente o si ha caído al suelo en algún momento.
- Este aparato recibe corriente nominal no operativa de la salida de corriente AC aun cuando su interruptor POWER o STANDBY/ON no esté en la posición ON.
 - Dado que el cable de alimentación es el sistema de desconexión de esta unidad debe ubicarla de forma que siempre pueda acceder a él.



- Tenga cuidado al usar auriculares de cualquier tipo con este aparato dado que una presión sonora excesiva en los auriculares puede producirle daños auditivos.
- Si detecta cualquier tipo de problema mientras utiliza este aparato, póngase en contacto con TEAC para informar de ello y hacer que la unidad sea revisada o reparada.

PRECAUCIÓN

- No permita que este aparato quede expuesto a salpicaduras de ningún tipo.
- No coloque objetos que contengan líquidos, como jarrones, sobre este aparato.
- No instale este aparato encastrado en una librería o mueble similar.
- El aparato debe estar colocado lo suficientemente cerca de la salida de corriente como para poder acceder al enchufe en cualquier momento.
- Si este aparato utiliza pilas (incluyendo baterías fijas o recambiables), no permita que queden expuestas a la luz solar, fuego o un nivel excesivo de calor.
- ATENCIÓN con los productos que utilicen baterías de litio recambiables: existe el riesgo de explosión en caso de sustituir la batería por otra de un tipo incorrecto. Sustitúyala solo por una idéntica o de tipo equivalente.

■ Para los usuarios europeos

Eliminación de aparatos eléctricos y electrónicos

- (a) Nunca debe eliminar un aparato eléctrico o electrónico junto con el resto de la basura orgánica. Este tipo de aparatos deben ser depositados en los "puntos limpios" creados a tal efecto por su Ayuntamiento o por la empresa de limpieza local.
- (b) Con la correcta eliminación de los aparatos eléctricos y electrónicos estará ayudando a ahorrar valiosos recursos y evitará a la vez todos los efectos negativos potenciales tanto para la salud como para el entorno.
- (c) Una eliminación incorrecta de este tipo de aparatos junto con la basura orgánica puede producir efectos graves en el medio ambiente y en la salud a causa de la presencia de sustancias potencialmente peligrosas que pueden contener.
- (d) El símbolo del cubo de basura tachado indica la obligación de separar los aparatos eléctricos y electrónicos del resto de basura orgánica a la hora de eliminarlos.
- (e) Los llamados "puntos limpios" de recogida y retirada selectiva de este tipo de productos están disponibles para cualquier usuario final. Para más información acerca de la eliminación de este tipo de elementos, póngase en contacto con el departamento correspondiente de su Ayuntamiento, empresa de limpieza o recogida de basuras o con el comercio en el que adquirió este aparato.



Contents

INSTRUCCIONES IMPORTANTES DE SEGURIDAD	15
INSTRUCCIONES IMPORTANTES DE SEGURIDAD	16
Introducción	17
Características	17
Elementos incluidos.....	17
Acerca de este manual.....	17
Precauciones sobre la ubicación y uso.....	18
Cuidado con la condensación.....	18
Limpieza de la unidad.....	18
Uso de la página web global de TEAC	18
Registro de usuario	18
Nombre y función de las partes	18
Panel frontal	18
Panel trasero	19
Preparativos.....	19
Precauciones previas a la conexión	19
Conexiones.....	19
Instalación.....	19
Especificaciones técnicas	20
General.....	20
Esquema de dimensiones.....	20

Introducción

Felicidades y gracias por la compra del monitor autoamplificado de estudio TASCAM VL-S5.

Antes de conectar y comenzar a usar esta unidad, dedique unos minutos a leer completamente este manual para asegurarse de que entiende cómo usarla y garantizarse así años de disfrute. Una vez que haya leído el manual, consérvelo en un lugar seguro para cualquier posible referencia a él en el futuro.

También puede descargarse este manual desde la página web global de TEAC (<http://teac-global.com/>).

Características

- Woofer de 5,25 pulgadas
- Tweeter de 1 pulgada
- Bi-amplificación de 40 W graves/30 W agudos
- Tomas de entrada XLR balanceado y TRS balanceado/no balanceado
- Control de volumen interno
- Blindaje magnético

Elementos incluidos

Dentro del embalaje encontrará lo siguiente.

Tenga cuidado al abrir el embalaje para no dañar ninguno de los elementos. Conserve el embalaje y las protecciones por si alguna vez necesita transportar el aparato.

Póngase en contacto con nosotros si echa en falta alguno de los elementos siguientes o si observa que alguno ha resultado dañado durante el transporte.

- Unidad principal.....× 1
- Cable de alimentación
- Manual de instrucciones (este documento) incluyendo garantía

Acerca de este manual

En este manual utilizamos los siguientes convencionalismos.

- Cuando hagamos referencia a un conector, control u otra parte física de esta unidad, utilizaremos el siguiente formato: interruptor **POWER**.

Precauciones sobre la ubicación y uso

- El rango de temperaturas seguro para el uso de este aparato es entre 5–35 °C.
- Para evitar que se degrade la calidad del sonido o que se produzcan averías, no instale la unidad en estas ubicaciones.

Lugares con fuertes vibraciones o inestables
Cerca de ventanas u otros lugares en los que queden expuestos a la luz solar directa

Cerca de radiadores o en lugares excesivamente calurosos

Lugares demasiado fríos

Lugares mal ventilados o muy húmedos

- Para permitir una correcta disipación del calor, no coloque nada encima de esta unidad.
- No coloque este aparato encima de una etapa de potencia u otro aparato que genere mucho calor.
- Si coloca esta unidad cerca de una etapa de potencia u otros dispositivo con un gran transformador, se puede producir un zumbido. En ese caso, separe ambas unidades lo más posible.
- Esta unidad puede producir irregularidades en el color o ruidos cuando la use cerca de un monitor de TV o una radio. En ese caso, aleje ambas unidades lo máximo posible.
- Esta unidad puede producir ruidos en las inmediaciones de un móvil u otros dispositivos inalámbricos. En ese caso, separe ambas unidades lo máximo posible.

Cuidado con la condensación

Si traslada la unidad de un lugar frío a uno cálido o si la usa después de un cambio fuerte de temperatura, puede producirse condensación de agua; el vapor de agua puede condensarse en el mecanismo interno, haciendo que no funcione correctamente. Para evitar esto o si se produce la condensación, deje la unidad durante una o dos horas a la nueva temperatura ambiente antes de usarla de nuevo.

Limpieza de la unidad

Para limpiar la unidad, utilice un trapo suave y seco. No use gasolina, alcohol u otros productos similares ya que podría dañar su superficie.

Uso de la página web global de TEAC

Desde la web global de TEAC (<http://teac-global.com/>) podrá descargarse este Manual de instrucciones.

1. Vaya a la web global de TEAC (<http://teac-global.com/>).
2. En la sección TASCAM Downloads, haga clic en el idioma que quiera para acceder a la página de descargas en dicho idioma.

NOTA

Si no aparece el idioma que busca, haga clic en Other Languages.

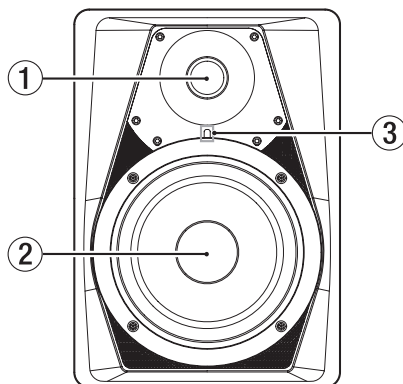
3. Haga clic en el nombre de producto en la sección "Search by Model Name" para acceder a la página de descargas de dicho producto.
4. Elija y descargue el Manual de instrucciones y el Manual de referencia cuando lo necesite.

Registro de usuario

Aquellos que hayan adquirido este aparato en los Estados Unidos, vayan a la página web de TASCAM (<http://tascam.com/>) para registrarse online como usuario.

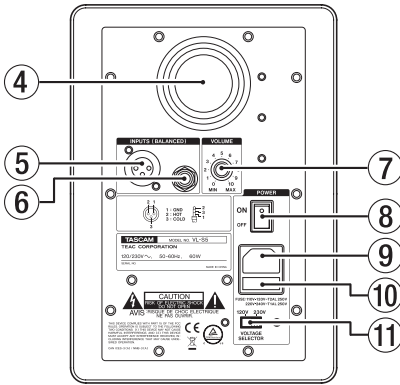
Nombre y función de las partes

Panel frontal



- ① **Tweeter**
- ② **Woofer**
- ③ **Indicador de encendido**

Panel trasero



④ Ranura de ventilación

⑤ Toma de entrada XLR

⑥ Toma de entrada TRS

⑦ Mando VOLUME

⑧ Interruptor POWER

⑨ Toma de corriente

⑩ Receptáculo del fusible

Esta unidad está equipada con un fusible.

Si la unidad no funciona, desconecte el cable de la salida de corriente y póngase en contacto con el servicio técnico de TASCAM (vea pág. 2).

⑪ Interruptor VOLTAGE SELECTOR

Le permite conmutar el voltaje entre 230 y 120 V.

NOTA

- *El selector de voltaje solo está disponible en las unidades de determinados países.*
- *En Norteamérica, utilice únicamente una salida de corriente de 120V.*

Preparativos

Precauciones previas a la conexión

- Al sacar el recinto del embalaje, no lo sujete por el tweeter o el woofer.
- Conecte los cables de señal y de corriente de forma que no queden atrapados o aplastados.
- Antes de encender el amplificador interno, reduzca al mínimo el volumen de la señal de entrada. El encender el amplificador mientras recibe una señal muy potente puede llegar a dañar los altavoces.
- No utilice estas unidades al volumen máximo de forma continua. El hacerlo puede producirle daños auditivos o incluso sordera crónica.

- Este sistema de altavoces dispone de blindaje magnético, pero si lo usa cerca de algunos tipos de televisores y monitores, la imagen de estos se puede ver afectada. Antes de establecer la posición final de estas unidades, pruebe distintas ubicaciones y configuraciones.
- Use cables de alimentación, salidas de corriente, regletas, cables de señal audio y conectores que no tengan ningún tipo de defecto.
- Antes de conectar el cable de corriente, coloque el interruptor de encendido en OFF.
- Nunca conecte señales a esta unidad que no sean audio (señales de datos, por ejemplo).
- Antes de conectar una señal audio a esta unidad, confirme que el nivel de dicha señal de entrada esté al mínimo y que el interruptor de encendido de la etapa de potencia interna esté en OFF.
- Use siempre la polaridad correcta para las señales.

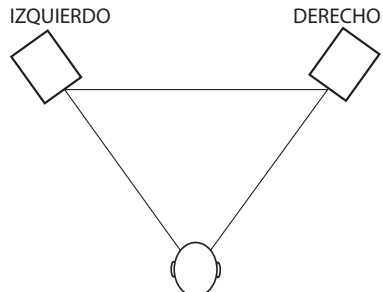
Conexiones

1. Coloque el interruptor **POWER** en OFF.
2. Conecte el cable de alimentación incluido en el recinto y después en la salida de corriente.
3. Conecte una señal audio a una toma de entrada (XLR o TRS).

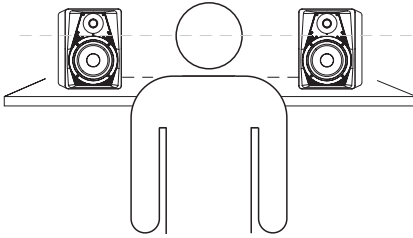
Instalación

Una instalación correcta de los altavoces es extremadamente importante. El volumen de las frecuencias graves parecerá variar de acuerdo a la posición en la que instale los altavoces. Pruebe con distintas ubicaciones hasta localizar la mejor de cara a maximizar las capacidades de sus altavoces.

- Para una configuración stereo, coloque los altavoces de forma que formen un triángulo equilátero con la posición de escucha.



- Instale cada uno de los altavoces de forma que la parte superior de cada woofer quede a la altura del oído.



- No instale los altavoces cerca de espejos, cristales u otras superficies que reflejen el sonido. No coloque ningún objeto entre los altavoces y la posición de escucha.

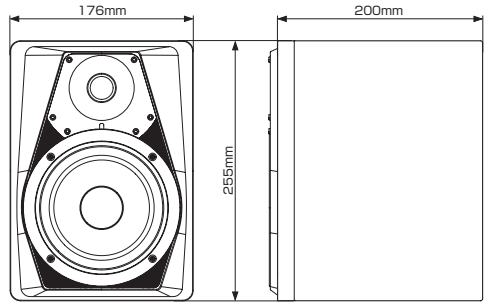
■ Dimensiones (L × A × P)

176 × 255 × 200 mm

■ Peso

5.2 kg

Esquema de dimensiones



- Las ilustraciones y otras imágenes mostradas aquí pueden variar con respecto a las del aparato real.
- De cara a mejoras en el producto, tanto las especificaciones técnicas como el aspecto exterior están sujetos a cambios sin previo aviso.

Especificaciones técnicas

General

■ Salida de bajas frecuencias

40 W

■ Salida de frecuencias agudas

30 W

■ Altavoz

Woofer de 5,25 pulgadas
Tweeter de 1 pulgada

■ Recinto acústico

Construcción anti corrientes magnéticas

■ Respuesta de frecuencia

60 Hz – 22 kHz

■ Frecuencia de separación o crossover

3.2 kHz

■ Sensibilidad de entrada

200 mV

■ Tomas de entrada

XLR balanceadas y TRS balanceadas/no bal.

■ Impedancia de entrada

20 kΩ balanceado, 10 kΩ no balanceado

■ Alimentación

CA 120 V, 50/60 Hz
CA 230 V, 50/60 Hz

■ Consumo

60 W

Bedienungsanleitung

Wichtige Hinweise zu Ihrer Sicherheit

Symbole auf dem Produkt



Achtung! Gefahr eines Stromschlags. Öffnen Sie nicht das Gehäuse. Es befinden sich keine vom Anwender zu wartenden Teile im Gerät. Lassen Sie das Gerät nur von qualifizierten Fachleuten reparieren.



Dieses Symbol, ein Blitz in einem ausgefüllten Dreieck, warnt vor nicht isolierten, elektrischen Spannungen im Inneren des Geräts, die zu einem gefährlichen Stromschlag führen können.



Dieses Symbol, ein Ausrufezeichen in einem ausgefüllten Dreieck, weist auf wichtige Bedienungs- oder Sicherheitshinweise in dieser Bedienungsanleitung hin.

- Diese Anleitung ist Teil des Geräts. Bewahren Sie sie gut auf und geben Sie das Gerät nur mit dieser Anleitung weiter.
- Lesen Sie diese Anleitung, um das Gerät fehlerfrei nutzen zu können und sich vor eventuellen Restgefahren zu schützen.
- Beachten Sie alle Warnhinweise. Neben den hier aufgeführten allgemeinen Sicherheitshinweisen sind möglicherweise weitere Warnungen an entsprechenden Stellen dieses Handbuchs aufgeführt.
- Lassen Sie Wartungsarbeiten und Reparaturen nur von einem TEAC-Servicecenter ausführen. Bringen Sie das Gerät zu einem TEAC-Servicecenter, wenn es Regen oder Feuchtigkeit ausgesetzt war, wenn Flüssigkeit oder Fremdkörper hinein gelangt sind, wenn es heruntergefallen ist oder nicht normal funktioniert oder wenn das Netzkabel beschädigt ist. Benutzen Sie das Gerät nicht mehr, bis es repariert wurde.
- Sorgen Sie dafür, dass das Netzkabel nicht gedehnt, gequetscht oder geknickt werden kann – insbesondere am Stecker und am Netzkabelauszug des Geräts – und verlegen Sie es so, dass man nicht darüber stolpern kann.
- Ziehen Sie den Netzstecker bei Gewitter oder wenn Sie das Gerät längere Zeit nicht benutzen.

Schutz vor Sach- und Personenschäden durch Kurzschluss oder Brand

- Wenn das Gerät raucht oder einen ungewöhnlichen Geruch verströmt, trennen Sie es sofort vom Stromnetz und bringen Sie es zu einem TEAC-Servicecenter.
- Stellen Sie das Gerät immer so auf, dass es nicht nass werden kann. Setzen Sie das Gerät niemals Regen, hoher Luftfeuchte oder anderen Flüssigkeiten aus, und stellen Sie keine mit Flüssigkeit gefüllten Behälter (Vasen, Kaffeetassen usw.) auf das Gerät.
- Reinigen Sie das Gerät nur mit einem trockenen Tuch.

Schutz vor Sach- und Personenschäden durch Überhitzung

- Versperren Sie niemals vorhandene Lüftungsöffnungen.
- Stellen Sie das Gerät nicht in der Nähe von Hitze abstrahlenden Geräten (Heizlüfter, Öfen, Verstärker usw.) auf.
- Stellen Sie dieses Gerät nicht an einem räumlich beengten Ort ohne Luftzirkulation auf.

Schutz vor Sach- und Personenschäden durch falsches Zubehör

- Verwenden Sie nur Zubehör oder Zubehörteile, die der Hersteller empfiehlt.
- Verwenden Sie nur Wagen, Ständer, Stative, Halter oder Tische, die vom Hersteller empfohlen oder mit dem Gerät verkauft werden.



Bestimmungsgemäße Verwendung

Benutzen Sie das Gerät nur zu dem Zweck und auf die Weise, wie in dieser Anleitung beschrieben.

WARNUNG

Schutz vor Sach- und Personenschäden durch Stromschlag, Kurzschluss oder Brand

Wenn Sie das Gerät mit dem optionalen Wechselstromadapter betreiben:

- Stellen Sie das Gerät in der Nähe einer gut erreichbaren Steckdose auf. Es muss jederzeit möglich sein, den Netzstecker zu ziehen, um das Gerät vom Stromnetz zu trennen.
- Verbinden Sie das Gerät nur dann mit dem Stromnetz, wenn die Angaben auf dem Gerät mit der örtlichen Netzspannung übereinstimmen. Fragen Sie im Zweifelsfall einen Elektrofachmann.
- Wenn der mitgelieferte Netzstecker nicht in Ihre Steckdose passt, ziehen Sie einen Elektrofachmann zu Rate.

Informationen zur elektromagnetischen Verträglichkeit

Dieses Gerät wurde auf die Einhaltung der Grenzwerte gemäß der EMV-Richtlinie 2004/108/EG der Europäischen Gemeinschaft hin geprüft. Diese Grenzwerte gewährleisten einen angemessenen Schutz vor schädlichen Störungen in einer kommerziellen Arbeitsumgebung. Dieses Gerät erzeugt und nutzt Energie im Funkfrequenzbereich und kann solche ausstrahlen. Wenn es nicht in Übereinstimmung mit den Anweisungen der Dokumentation installiert und betrieben wird, kann es Störungen im Funk- und Rundfunkbetrieb verursachen.

Bei der Nutzung dieses Geräts im Wohnbereich sind Störungen sehr wahrscheinlich. In diesem Fall hat der Nutzer die Beseitigung solcher Störungen auf eigene Kosten zu übernehmen.

Warnhinweis

Änderungen oder Modifikationen am Gerät, die nicht ausdrücklich von der TEAC Corporation geprüft und genehmigt worden sind, können zum Erlöschen der Betriebserlaubnis führen.

Konformitätserklärung

Wir, TEAC Europe GmbH, Bahnstrasse 12, 65205 Wiesbaden-Erbenheim, Deutschland, erklären eigenverantwortlich, dass das in diesem Handbuch beschriebene Produkt die entsprechenden technischen Standards erfüllt.



Information zur CE-Kennzeichnung

Ausgelegt für die folgende elektromagnetische Umgebung: E4

Mittlerer Einschaltstoßstrom (halbe Periode)

- Nach längerer Ausschaltzeit: 1,77 Arms
- Nach 5 Sekunden Ausschaltzeit: 1,46 Arms

Entsorgung von Altgeräten

Wenn ein Symbol einer durchgestrichenen Mülltonne auf einem Produkt, der Verpackung und/oder der begleitenden Dokumentation angebracht ist, unterliegt dieses Produkt den europäischen Richtlinien 2002/96/EC und/oder 2006/66/EC sowie nationalen Gesetzen zur Umsetzung dieser Richtlinien.



Richtlinien und Gesetze schreiben vor, dass Elektro- und Elektronik-Altgeräte nicht in den Hausmüll (Restmüll) gelangen dürfen. Um die fachgerechte Entsorgung, Aufbereitung und Wiederverwertung sicherzustellen, sind Sie verpflichtet, Altgeräte über staatlich dafür vorgesehene Stellen zu entsorgen.

Durch die ordnungsgemäße Entsorgung solcher Geräte leisten Sie einen Beitrag zur Einsparung wertvoller Rohstoffe und verhindern potenziell schädliche Auswirkungen auf die menschliche Gesundheit und die Umwelt, die durch falsche Abfallentsorgung entstehen können. Die Entsorgung ist für Sie kostenlos.

Weitere Informationen zur Wertstoffsammlung und Wiederverwertung von Altgeräten erhalten Sie bei Ihrer Stadtverwaltung, dem für Sie zuständigen Abfallentsorgungsunternehmen oder der Verkaufsstelle, bei der Sie das Produkt erworben haben.

Inhaltsverzeichnis

Wichtige Hinweise zu Ihrer Sicherheit.....	21
Bevor Sie beginnen.....	23
Ausstattungsmerkmale.....	23
Auspacken/Lieferumfang.....	23
Hinweise zur Benutzung dieses Handbuchs.....	23
Ergänzende Sicherheitshinweise zur Aufstellung ..	24
Kondensation vermeiden	24
Den Monitor reinigen.....	24
Die globale TEAC-Website nutzen	24
Benutzerregistrierung	24
Die Bedienelemente und ihre Funktionen	24
Vorderseite.....	24
Rückseite	25
Vorbereitende Schritte.....	25
Vorsichtsmaßnahmen beim Herstellen von Kabelverbindungen	25
Kabelverbindungen herstellen.....	26
Aufstellung	26
Technische Daten	26
Maßzeichnung.....	26

Bevor Sie beginnen

Vielen Dank, dass Sie sich für den aktiven Studio-monitor Tascam VL-S5 entschieden haben.

Bevor Sie diesen Monitor benutzen, lesen Sie sich dieses Handbuch bitte aufmerksam durch. Nur so ist sichergestellt, dass Sie das Produkt richtig bedienen und viele Jahre Freude daran haben. Bewahren Sie dieses Handbuch auf, da es Teil des Produkts ist.

Dieses Benutzerhandbuch steht auch auf der globalen TEAC-Website unter <http://teac-global.com/> oder auf der deutschen Website (<http://tascam.de/>) zum Download zur Verfügung.

Ausstattungsmerkmale

- 5¼-Zoll-Basslautsprecher (13,3 cm)
- 1-Zoll-Kalottenhochtöner (2,5 cm)
- Getrennte Verstärker für Tieftonbereich (40 W) und Hochtonbereich (30 W)
- Symmetrische XLR- und TRS-Eingangsbuchsen
- Lautstärkeregler
- Magnetische Abschirmung

Auspacken/Lieferumfang

Zum Lieferumfang dieses Produkts gehören die unten aufgeführten Bestandteile.

Bitte achten Sie beim Auspacken darauf, nichts zu beschädigen. Wenn Sie den Monitor aus der Verpackung nehmen, fassen Sie ihn nicht am Hoch- oder Tieftöner an.

Bewahren Sie das Verpackungsmaterial für einen eventuellen zukünftigen Transport auf.

Sollte etwas fehlen oder auf dem Transport beschädigt worden sein, wenden Sie sich bitte umgehend an Ihren Händler.

- VL-S5..... × 1
- Netzkabel
- Benutzerhandbuch (das vorliegende Dokument) einschließlich Garantiehinweis..... × 1

Hinweise zur Benutzung dieses Handbuchs

Buchsen und andere Bedienelemente an diesem Produkt kennzeichnen wir wie folgt mit fett gesetzten Großbuchstaben: **POWER**-Schalter.

Ergänzende Sicherheitshinweise zur Aufstellung

- Der zulässige Betriebstemperaturbereich für diesen Monitor liegt zwischen 5 °C und 35 °C.
- Stellen Sie das Gerät nicht an den im Folgenden bezeichneten Orten auf. Andernfalls kann es zu einer Beeinträchtigung der Klangqualität und/oder Fehlfunktionen kommen.
 - Orte, die starken Erschütterungen ausgesetzt sind,
 - Orte mit direkter Sonneneinstrahlung (z. B. an einem Fenster),
 - in der Nähe von Heizungen oder anderen sehr heißen Orten,
 - in großer Kälte,
 - an unzureichend belüfteten Orten oder bei hoher Luftfeuchte.
- Legen Sie keine Gegenstände auf den Lautsprecher, um eine ausreichende Wärmeabfuhr zu gewährleisten.
- Stellen Sie den Monitor nicht auf einen Leistungsverstärker oder andere Hitze erzeugende Geräte.
- Brummen kann auftreten, wenn sich ein Leistungsverstärker oder anderes Gerät mit großem Transformator in der Nähe des Recorders befindet. Versuchen Sie in einem solchen Fall den Abstand zwischen dem Monitor und dem anderen Gerät zu vergrößern oder die Ausrichtung beider Geräte zueinander zu verändern.
- Auf einem Fernsehgerät können Farbabweichungen auftreten und in einem Radiogerät können Geräusche hörbar werden, wenn der Monitor in deren Nähe betrieben wird. Vergrößern Sie in einem solchen Fall den Abstand zum Fernseher bzw. Radiogerät.
- Wenn ein Mobiltelefon oder anderes Drahtlosgerät in der Nähe betrieben wird, können während eines Anrufs oder während der Datenübertragung Geräusche im Monitor auftreten. Versuchen Sie in einem solchen Fall den Abstand zwischen dem Monitor und dem anderen Gerät zu vergrößern oder schalten Sie das andere Gerät aus.

Kondensation vermeiden

Wenn Sie den Monitor aus einer kalten Umgebung in eine warme Umgebung bringen, besteht die Gefahr, dass sich Kondenswasser bildet. Kondenswasser im Geräteinneren kann Fehlfunktionen hervorrufen. Um dies zu vermeiden, lassen Sie den Monitor ein bis zwei Stunden stehen, bevor Sie ihn einschalten.

Den Monitor reinigen

Verwenden Sie zum Reinigen des Monitors ein trockenes, weiches Tuch. Verwenden Sie zum Reinigen niemals getränkte Reinigungstücher auf chemischer Basis, Verdüner, Alkohol oder andere chemische Substanzen. Diese können die Oberfläche des Monitors angreifen oder Verfärbungen hervorrufen.

Die globale TEAC-Website nutzen

Dieses Benutzerhandbuch steht auch auf der globalen TEAC-Website unter <http://teac-global.com/> oder auf der deutschen Website (<http://tascam.de/>) zum Download zur Verfügung.

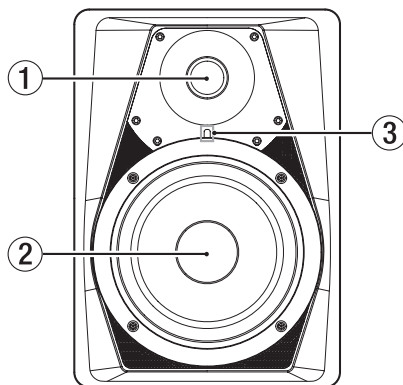
Wählen Sie dort im Bereich TACAM Downloads die gewünschte Sprache aus, um die entsprechende Downloadseite aufzurufen.

Benutzerregistrierung

Kunden in den USA registrieren sich bitte online unter <http://tascam.com/> als Benutzer.

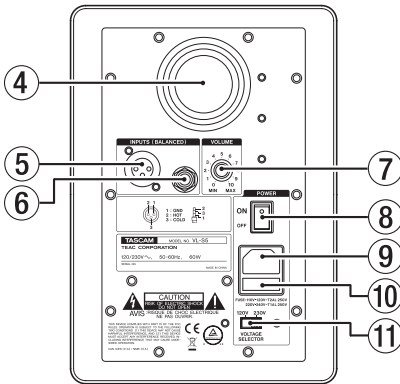
Die Bedienelemente und ihre Funktionen

Vorderseite



- ① **Hochtöner**
- ② **Tieftöner**
- ③ **Betriebsanzeigelämpchen**

Rückseite



- ④ **Bassreflexöffnung**
- ⑤ **XLR-Eingangsbuchse**
- ⑥ **TRS-Eingangsbuchse**
- ⑦ **Lautstärkeregler (VOLUME)**
- ⑧ **Netzschalter (POWER)**
- ⑨ **Netzkabelanschluss (AC IN)**
- ⑩ **Sicherungshalter**
Der Monitor ist mit einer Sicherung ausgestattet. Sollte der Monitor nicht funktionieren, trennen Sie ihn vom Stromnetz und wenden Sie sich an den Tascam-Kundendienst (siehe Seite 2).
- ⑪ **Netzspannungswahlschalter (VOLTAGE SELECTOR)**
Wählen Sie hier den Spannungswert Ihres Stromnetzes (230 V für DE, AT, CH und andere, 120 V für USA und andere).

Anmerkung

- *Der Netzspannungswahlschalter ist nur bei manchen Ausführungen vorhanden.*
- *In Nordamerika den Monitor nur am 120-Volt-Stromnetz betreiben und den Netzspannungswahlschalter auf 120 V stellen.*

Vorbereitende Schritte

Vorsichtsmaßnahmen beim Herstellen von Kabelverbindungen

- Verwenden Sie nur Stromkabel, Steckdosen, Audio-Signalkabel und Anschlüsse, die unbeschädigt und frei von Kurzschlüssen und anderen Defekten sind.
- Stellen Sie zuerst den Netzschalter auf der Rückseite auf OFF, und schließen Sie erst dann das Netzkabel an.
- Verlegen Sie Signal- und Netzkabel so, dass sich nichts darin verfangen kann.
- Bevor Sie ein Audiosignal mit dem Monitor verbinden, drehen Sie die Lautstärke an Ihrer Audioquelle herunter, und schalten Sie den Monitor mit seinem Netzschalter aus (OFF).
- Leiten Sie ausschließlich Audiosignale mit Line-Pegel an die Eingangsbuchsen dieses Produkts. Niemals Verstärkerausgänge mit den Eingangsbuchsen verbinden.
- Achten Sie immer auf die richtige Polarität der Audiokabel.
- Drehen Sie die Lautstärke herunter, bevor Sie den Aktivmonitor einschalten. Wenn Sie ihn einschalten, während ein Eingangssignal mit hohem Pegel anliegt, können die Lautsprecher beschädigt werden.
- Nutzen Sie den Monitor nicht über längere Zeit mit hoher Lautstärke. Hohe Schallpegel können schon nach kurzer Zeit Ihr Gehör schädigen.
- Dieses Lautsprechersystem ist magnetisch abgeschirmt. Dennoch kann es bei bestimmten Arten von Fernsehgeräten und Computer-Bildschirmen zu Darstellungsfehlern kommen. Probieren Sie verschiedene Arten der Aufstellung und Plätze aus, bevor Sie sich für die endgültige Position entscheiden.

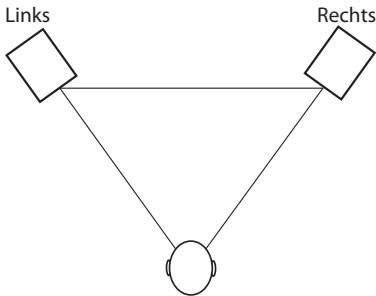
Kabelverbindungen herstellen

1. Stellen Sie den Netzschalter (**POWER**) auf **OFF**.
2. Verbinden Sie das mitgelieferte Netzkabel zunächst mit dem Monitor und anschließend mit dem Stromnetz.
3. Verbinden Sie eine Audioquelle mit einer der Eingangsbuchsen (XLR oder TRS).

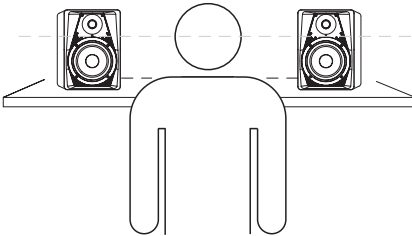
Aufstellung

Die richtige Aufstellung des Monitors hat großen Einfluss auf den Klang. So ist vor allem die Tieftonwiedergabe stark abhängig vom Aufstellungsort. Probieren Sie verschiedene Orte für die bestmögliche Aufstellung der Lautsprecher aus.

Für die Stereowiedergabe stellen Sie die Lautsprecher so auf, dass sie ein gleichseitiges Dreieck mit der Hörposition bilden.



- Bei vertikaler Aufstellung soll die Oberkante des Tieftöners auf Ohrhöhe sein.

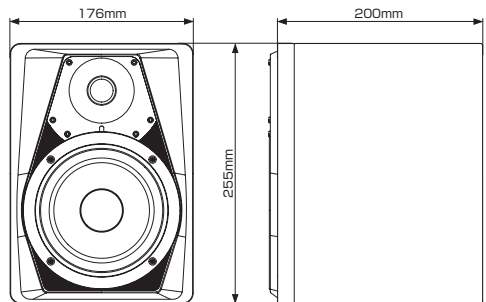


- Stellen Sie die Lautsprecher nicht in der Nähe von Spiegeln, Glasscheiben oder anderen Oberflächen auf, die den Schall stark reflektieren. Achten Sie darauf, dass sich keine Hindernisse zwischen den Lautsprechern und der Hörposition befinden.

Technische Daten

- **Ausgangsleistung**
Tieftonbereich: 40 W
Hochtonbereich: 30 W
- **Chassis**
5¼-Zoll-Basslautsprecher (13,3 cm)
1-Zoll-Kalottenhohtöner (2,5 cm)
- **Gehäusekonstruktion**
Antimagnetischer Aufbau
- **Frequenzbereich**
60 Hz – 22 kHz
- **Übergangsfrequenz**
3,2 kHz
- **Eingangsempfindlichkeit**
200 mV
- **Eingangsbuchsen**
XLR (symmetrisch, Eingangsimpedanz 20 kΩ)
TRS (symmetrisch/unsymmetrisch, Eingangsimpedanz 10 kΩ)
- **Stromversorgung**
AC 120 / AC 230 V, 50/60 Hz
- **Leistungsaufnahme**
60 W
- **Abmessungen (B × H × T)**
176 mm × 255 mm × 200 mm
- **Gewicht**
5,2 kg

Maßzeichnung



- Abbildungen können teilweise vom tatsächlichen Erscheinungsbild des Produkts abweichen.
- Änderungen an Konstruktion und technischen Daten vorbehalten.

IMPORTANTI NORME DI SICUREZZA



CAUTION
RISK OF ELECTRIC SHOCK
DO NOT OPEN



CAUTELA: PER RIDURRE IL RISCHIO DI SCOSSE ELETTRICHE, NON RIMUOVERE IL COPERCHIO (O IL RETRO). NON CI SONO PARTI RIPARABILI ALL'INTERNO DESTINATE ALL'UTENTE. PER RIPARAZIONI RIVOLGERSI A PERSONALE QUALIFICATO.



Il simbolo di un fulmine appuntito dentro un triangolo equilatero avverte l'utente della presenza di "tensioni pericolose" non isolate all'interno del contenitore del prodotto che possono essere di intensità sufficiente per costituire un rischio di scossa elettrica alle persone.



Il punto esclamativo all'interno di un triangolo equilatero avverte l'utente della presenza di importanti istruzioni operative e di manutenzione nella documentazione che accompagna l'apparecchio.

AVVERTENZA: PER PREVENIRE IL PERICOLO DI INCENDI O DI FOLGORAZIONE, NON ESPORRE QUESTO APPARATO ALLA PIOGGIA O ALL'UMIDITÀ

IN USA/CANADA, USARE SOLO LA RETE A 120 V.

DICHIARAZIONE DI CONFORMITÀ

Noi, TEAC EUROPE GmbH, Bahnstrasse 12, 65205 Wiesbaden-Erbenheim, Germania dichiariamo sotto la nostra responsabilità, che il prodotto TEAC descritto in questo manuale è conforme ai corrispondenti standard tecnici.



Informazioni sul marchio CE

- a) Ambiente di applicabilità elettromagnetica: E4
b) r.m.s. medio del mezzo ciclo della corrente di spunto
1. Alla prima accensione: 1,77 Arms
 2. Dopo un'interruzione dell'alimentazione di 5s: 1,46 Arms

Per i clienti in Europa

AVVERTENZA

Questo è un prodotto in classe A. In un ambiente domestico, questo prodotto può causare interferenze radio, nel qual caso l'utente è tenuto ad adottare misure adeguate.

ATTENZIONE

- I prodotti costruiti in Classe I sono dotati di un cavo di alimentazione che presenta un polo di terra. Il cavo di un tale prodotto deve essere collegato a una presa di corrente con un collegamento di protezione di messa a terra.

IMPORTANTI ISTRUZIONI DI SICUREZZA

- 1 Leggere le seguenti istruzioni.
 - 2 Conservare queste istruzioni.
 - 3 Prestare attenzione agli avvertimenti.
 - 4 Seguire tutte le istruzioni.
 - 5 Non usare l'apparecchio vicino all'acqua.
 - 6 Pulire Solo con un panno asciutto.
 - 7 Non bloccare le aperture per la ventilazione. Installare secondo le istruzioni del costruttore.
 - 8 Non installare l'apparecchio vicino a fonti di calore come radiatori, regolatori di calore, stufe o altri apparecchi che producono calore (inclusi gli amplificatori).
 - 9 Non eliminare la spina polarizzata di sicurezza o la spina di messa a terra. La spina polarizzata ha due lame, una più larga dell'altra. Una spina di messa a terra ha due lame e una terza punta di messa terra. La lama larga o la terza punta sono fornite per la vostra sicurezza. Se la spina fornita non è adatta al tipo di presa, consultate un elettricista per sostituire la presa obsoleta.
 - 10 Proteggere il cavo di alimentazione in modo che non venga calpestato o schiacciato, in particolare vicino alle spine e al punto di uscita dall'apparecchio.
 - 11 Usare solamente attacchi/accessori specificati dal costruttore.
 - 12 Usare Solo carrello, supporto, treppiede, mensola o tavola specificati dal costruttore o venduto insieme all'apparecchio. Quando viene usato un carrello, prestare attenzione quando si sposta la combinazione carrello/apparato per evitare cadute da sopra.
 - 13 Scollegare questo apparato durante temporali o quando non viene usato per lunghi periodi di tempo.
 - 14 Rivolgersi Solo a personale qualificato. La riparazione è richiesta quando l'apparecchio è stato danneggiato in qualunque modo, come nel caso che il cordone dell'alimentazione o la spina siano stati danneggiati, l'apparecchio sia stato esposto a pioggia o umidità, non funzioni correttamente o sia stato lasciato cadere.
- Questo apparecchio porta corrente elettrica non operativa dalla presa di rete mentre il suo interruttore POWER o STANDBY/ON non è in posizione di ON.
 - La presa di rete è usata come dispositivo di sconnessione, il dispositivo di sconnessione deve restare sempre operativo.



- Si deve usare cautela quando si usano gli auricolari o le cuffie con il prodotto, perché un eccesso di pressione sonora (volume) negli auricolari o nelle cuffie può causare la perdita dell'udito.
- Se si verificano problemi con questo prodotto, contattare TEAC per un invio all'assistenza. Non usare il prodotto fino a quando non è stato riparato.

CAUTELA

- Non esporre questo apparecchio a gocciolamenti o schizzi.
- Non appoggiare alcun contenitore o vaso pieno d'acqua sopra l'apparecchio.
- Non installare questo apparecchio in spazi ristretti come una libreria o luoghi simili.
- Questo apparecchio dovrebbe essere collocato sufficientemente vicino alla presa AC in modo da poter facilmente afferrare la spina del cordone di alimentazione in qualsiasi momento.
- Se il prodotto utilizza batterie (incluso un pacco batterie o batterie installate), non dovrebbero essere esposte alla luce solare, fuoco o calore eccessivo.
- CAUTELA per i prodotti che utilizzano batterie al litio sostituibili: vi è pericolo di esplosione se la batteria viene sostituita con una di tipo scorretto. Sostituire Solo con tipo uguale o equivalente.

■ Per gli utenti europei

Smaltimento di apparecchiature elettriche ed elettroniche

- (a) Tutte le apparecchiature elettriche ed elettroniche devono essere smaltite separatamente dai rifiuti urbani mediante impianti di raccolta specifici designati dal governo o dalle autorità locali.
- (b) Lo smaltimento in modo corretto delle apparecchiature elettriche ed elettroniche contribuisce a risparmiare preziose risorse ed evitare potenziali effetti negativi sulla salute umana e l'ambiente.
- (c) Lo smaltimento non corretto di apparecchiature può avere gravi conseguenze sull'ambiente e sulla salute umana come risultato della presenza di sostanze pericolose nelle apparecchiature elettriche ed elettroniche.
- (d) Il simbolo barrato della pattumiera indica che le apparecchiature elettriche ed elettroniche devono essere raccolte e smaltite separatamente dai rifiuti domestici.
- (e) I sistemi di raccolta sono a disposizione degli utenti finali. Per informazioni più dettagliate sullo smaltimento delle vecchie apparecchiature elettriche ed elettroniche, contattare il comune, il servizio di smaltimento rifiuti o il negozio dove è stato acquistato l'apparecchio.



Indice dei contenuti

IMPORTANTI NORME DI SICUREZZA	27
IMPORTANTI ISTRUZIONI DI SICUREZZA.....	28
Introduzione	29
Caratteristiche.....	29
Articoli inclusi.....	29
Convenzioni usate in questo manuale	29
Precauzioni per il posizionamento e l'uso	30
Attenzione alla condensa	30
Pulizia dell'unità	30
Uso del sito TEAC Global.....	30
Registrazione utente	30
Nomi e funzioni delle parti	30
Pannello frontale	30
Pannello posteriore	31
Preparativi	31
Precauzioni prima di effettuare i collegamenti..	31
Collegamenti.....	31
Installazione	31
Specifiche	32
Generali.....	32
Dimensioni.....	32

Introduzione

Grazie per aver acquistato il diffusore TASCAM VL-S5 Powered Studio Monitor.

Prima di utilizzare questo diffusore, leggere attentamente questo manuale in modo da usarlo correttamente e goderne per molti anni. Dopo la lettura di questo manuale, si prega di conservarlo in un luogo sicuro per future consultazioni.

È possibile scaricare questo manuale dal sito TEAC Global Site (<http://teac-global.com/>).

Caratteristiche

- Woofer da 5,25 pollici
- Tweeter da 1 pollice
- Bi-amplificazione 40W-bassi/30W-alti
- Prese di ingresso XLR bilanciate e TRS bilanciate/sbilanciate
- Controllo del volume incorporato
- Schermatura magnetica

Articoli inclusi

Questo prodotto include i seguenti articoli.

Fare attenzione a quando si apre la confezione a non danneggiare gli articoli. Conservare i materiali di imballaggio e la scatola per il trasporto in futuro.

Vi preghiamo di contattarci se uno di questi articoli è mancante o è stato danneggiato durante il trasporto.

- Unità principale
- Cavo di alimentazione.....
- Manuale di istruzioni (questo documento) compresa la garanzia.....

Convenzioni usate in questo manuale

In questo manuale vengono usate le seguenti convenzioni.

- Pulsanti, connettori e altre parti fisiche di questa unità sono scritti con un carattere in grassetto: interruttore **POWER**.

Precauzioni per il posizionamento e l'uso

- La temperatura nominale di esercizio dell'unità va da 5° a 35° C.
- Non installare l'unità nei seguenti luoghi. Ciò potrebbe degradare la qualità del suono e/o causare malfunzionamenti.
 - Luoghi con forti vibrazioni
 - Vicino a finestre o luoghi esposti alla luce diretta del sole
 - Nei pressi di caloriferi o altri luoghi estremamente caldi
 - Luoghi molto freddi
 - Luoghi con alta umidità o cattiva ventilazione
- Per una buona dissipazione del calore, non appoggiare nulla sulla parte superiore dell'unità.
- Non posizionare l'unità su un amplificatore di potenza o un altro dispositivo che genera calore.
- Se l'apparecchio viene collocato in prossimità di un amplificatore di potenza o un altro dispositivo con un grande trasformatore, potrebbe verificarsi un ronzio. Se ciò si verifica, distanziare gli apparecchi.
- Questa unità può causare irregolarità di colore su uno schermo TV o rumore da una radio, se utilizzati nelle vicinanze. In questo caso, utilizzare questa unità più lontano.
- Questa unità può produrre rumore, se si utilizza un telefono cellulare o altri dispositivi wireless nelle vicinanze per effettuare chiamate o inviare o ricevere segnali. In questo caso, aumentare la distanza tra l'unità e tali dispositivi o spegnerli.

Attenzione alla condensa

La condensa può verificarsi se l'unità viene spostata da un luogo freddo a uno caldo, viene utilizzata immediatamente dopo che è stata riscaldata una stanza fredda o altrimenti esposta a un improvviso sbalzo di temperatura. Se questo dovesse accadere, lasciare l'unità per una o due ore prima di accendere l'unità e utilizzarla.

Pulizia dell'unità

Per pulire l'unità, strofinare delicatamente con un panno morbido e asciutto. Non pulire con panni imbevuti di sostanze chimiche, solventi, alcol o altri agenti chimici. Ciò potrebbe danneggiare la superficie o causare scolorimento.

Uso del sito TEAC Global

È possibile scaricare i driver dedicati e il manuale di istruzioni necessario per questa unità dal sito TEAC Global Site (<http://teac-global.com/>).

1. Aprire il sito TEAC Global (<http://teac-global.com/>).
2. Nella sezione TASCAM Downloads, selezionare la lingua desiderata per aprire la pagina di download per la propria lingua.

NOTA

Se la lingua desiderata non viene visualizzata, fare clic su Other Languages.

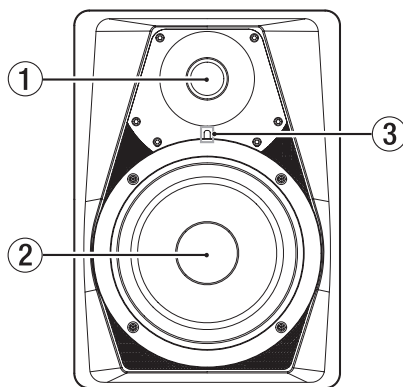
3. Fare clic sul nome del prodotto nella sezione "Ricerca per nome del modello" per aprire la pagina Download del prodotto.
4. Selezionare e scaricare i driver dedicati e il manuale di istruzioni necessario.

Registrazione utente

I clienti negli Stati Uniti sono pregati di visitare il sito TASCAM (<http://tascam.com/>) per la registrazione utente on-line.

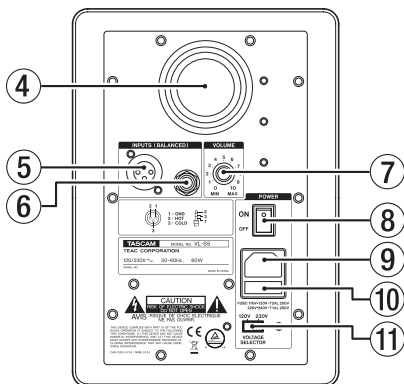
Nomi e funzioni delle parti

Pannello frontale



- ① **Tweeter**
- ② **Woofer**
- ③ **Indicatore dell'alimentazione**

Pannello posteriore



④ **Porta di ventilazione**

⑤ **Presa di ingresso XLR**

⑥ **Presa di ingresso TRS**

⑦ **Manopola VOLUME**

⑧ **Interruttore POWER**

⑨ **Connettore AC IN**

⑩ **Porta fusibile**

Questa unità è dotata di un fusibile.

Se l'unità non funziona, scollegare l'alimentazione dalla presa di corrente e quindi contattare il supporto clienti TASCAM (vedere a pagina 2).

⑪ **Interruttore VOLTAGE SELECTOR**

Commuta la tensione da 230 V a 120 V.

NOTA

- *Il selettore di tensione è disponibile solo sulle unità per mercati specifici.*
- *In Nord America, utilizzare solo l'alimentazione a 120V.*

Preparativi

Precauzioni prima di effettuare i collegamenti

- All'apertura dalla scatola di un diffusore, non tenerlo per il tweeter o il woofer.
- Collegare i cavi di segnale e i cavi di alimentazione in modo che non si impiglino da qualche parte.
- Prima di accendere l'amplificatore incorporato, portare il volume di ingresso al minimo. Se si ruota al massimo durante l'immissione di un segnale forte, l'altoparlante potrebbe danneggiarsi.

- Non ascoltare ad alto volume a lungo. Ciò potrebbe danneggiare l'udito.
- Questo sistema di altoparlanti è stato schermato magneticamente, ma quando viene utilizzato con alcuni tipi di televisori e monitor, l'immagine sullo schermo potrebbe venire deformata.
- Prima di determinare la posizione finale, provare diverse installazioni e posizioni.
- Utilizzare solo cavi di alimentazione, prese di corrente, cavi e connettori audio privi di difetti.
- Impostare l'interruttore di accensione su OFF prima di collegare il cavo di alimentazione.
- Non immettere in ingresso segnali diversi da quelli audio.
- Prima di collegare un segnale audio a questa unità, verificare che il livello del segnale di ingresso sia al minimo e che l'interruttore di alimentazione dell'amplificatore di potenza interno sia su OFF.
- Usare sempre la corretta polarità.

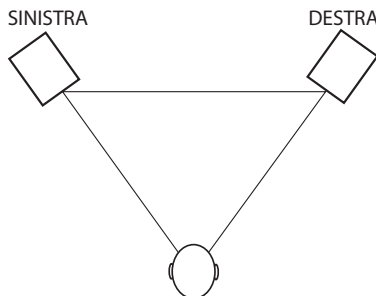
Collegamenti

1. Impostare l'interruttore **POWER** su OFF.
2. Collegare il cavo di alimentazione in dotazione al diffusore e poi all'alimentazione.
3. Mandare un segnale audio a una presa di ingresso (XLR o TRS).

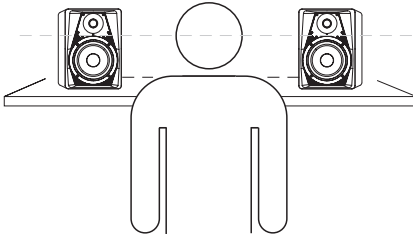
Installazione

L'installazione corretta dei diffusori è estremamente importante. Il volume delle basse frequenze sembrerà cambiare in base alla posizione in cui vengono installati gli altoparlanti. Provare diverse posizioni per trovare quella migliore e per massimizzare l'efficienza dei diffusori.

- Per una configurazione stereo, posizionare i diffusori in modo da formare un triangolo equilatero con la posizione di ascolto al vertice.



- Installare i diffusori in modo che la parte superiore dei woofer sia all'altezza delle orecchie.



- Non installare altoparlanti vicino a specchi, vetri o altre superfici che possono riflettere il suono. Non mettere nulla tra gli altoparlanti e la posizione di ascolto.

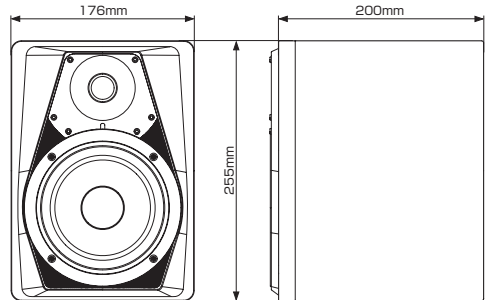
■ Dimensioni (L x A x P)

176 x 255 x 200 mm

■ Peso

5,2 kg

Dimensioni



- Le illustrazioni e altre rappresentazioni possono differire in parte dal prodotto reale.
- Le specifiche e l'aspetto esterno possono essere modificati senza preavviso per migliorare il prodotto.

Specifiche

Generali

■ Uscita a bassa frequenza

40 W

■ Uscita ad alta frequenza

30 W

■ Unità altoparlanti

Woofer da 5,25 pollici
Tweeter da 1 pollice

■ Contenitore

Costruzione amagnetica

■ Risposta in frequenza

60 Hz – 22 kHz

■ Frequenza di crossover

3,2 kHz

■ Sensibilità ingresso

200 mV

■ Prese di ingresso

XLR bilanciate e TRS bilanciate/sbilanciate

■ Impedenza di ingresso

20 kΩ bilanciato, 10 kΩ sbilanciato

■ Alimentazione richiesta

AC 120V, 50/60 Hz

AC 230V, 50/60 Hz









■ Consumo









60 W

取扱説明書

安全にお使いいただくために

製品を安全に正しくお使いいただき、あなたや他の人々への危害や財産への損害を未然に防止するために、以下の注意事項をよくお読みください。

	<p>警告 以下の内容を無視して誤った取り扱いをすると、人が死亡または重傷を負う可能性が想定される内容を示しています。</p>
 <p>電源プラグをコンセントから抜く</p>	<p>万一、異常が起きたら煙が出た、変なにおいや音がするときは機器の内部に異物や水などが入ったときはこの機器を落とした、カバーを破損したときはすぐに機器本体の電源スイッチを切り、必ず電源プラグをコンセントから抜いてください。異常状態のまま使用すると、火災・感電の原因となります。販売店またはティアック修理センター（巻末に記載）に修理をご依頼ください。</p>
 <p>指示</p>	<p>電源プラグにほこりをためない 電源プラグとコンセントの周りにゴミやほこりが付着すると、火災・感電の原因となります。定期的（年1回くらい）に電源プラグを抜いて、乾いた布でゴミやほこりを取り除いてください。</p>
 <p>禁止</p>	<p>電源コードを傷つけない 電源コードの上に重い物を載せたり、コードを壁や棚との間に挟み込んだり、本機の下敷きにしない 電源コードを加工したり、無理に曲げたり、ねじったり、引っ張ったり、熱器具に近づけて加熱したりしない コードが傷んだまま使用すると火災・感電の原因となります。万一、電源コードが破損したら（芯線の露出、断線など）、販売店またはティアック修理センター（巻末に記載）に交換をご依頼ください。</p>
 <p>禁止</p>	<p>付属の電源コードを他の機器に使用しない 故障、火災、感電の原因となります。</p> <p>交流100ボルト以外の電圧を使用しない この機器を使用できるのは日本国内のみです。表示された電源電圧（交流100ボルト）以外の電圧で使用しないでください。また、船舶などの直流（DC）電源には接続しないでください。火災・感電の原因となります。</p>
 <p>禁止</p>	<p>この機器を設置する場合は、放熱をよくするために、壁や他の機器との間は少し（20cm以上）離して設置する 隙間を空けないと内部に熱がこもり、火災の原因となります。</p> <p>この機器の隙間などから内部に金属類や燃えやすい物などを差し込む、または落とさない 火災・感電の原因となります。</p>
 <p>禁止</p>	<p>機器の上に花びんや水などが入った容器を置かない 内部に水が入ると火災・感電の原因となります。</p>
 <p>分解禁止</p>	<p>この機器のカバーは絶対に外さない カバーを外す、または改造すると、火災・感電の原因となります。内部の点検・修理は販売店またはティアック修理センター（巻末に記載）にご依頼ください。</p> <p>この機器を改造しない 火災・感電の原因となります。</p>

	<p>注意 以下の内容を無視して誤った取り扱いをすると、人が傷害を負う可能性が想定される内容および物的損害のみが発生が想定される内容を示しています。</p>
 <p>電源プラグをコンセントから抜く</p>	<p>移動させる場合は、電源のスイッチを切り、必ず電源プラグをコンセントから抜き、外部の接続コードを外す コードが傷つき、火災・感電の原因や、引っ掛けてけがの原因になることがあります。</p> <p>旅行などで長期間この機器を使用しないときやお手入れの際は、安全のため必ず電源プラグをコンセントから抜く 通電状態の放置やお手入れは、漏電や感電の原因になることがあります。</p>
 <p>指示</p>	<p>オーディオ機器を接続する場合は、各々の機器の取扱説明書をよく読み、電源を切り、説明にしたがって接続する また、接続は指定のコードを使用する</p>
 <p>指示</p>	<p>電源を入れる前には、音量を最小にする 突然大きな音が出て、聴力障害などの原因となる場合があります。</p> <p>この機器はコンセントの近くに設置し、電源プラグは簡単に手が届くようにする 異常が起きた場合は、すぐに電源プラグをコンセントから抜いて、完全に電源が切れるようにしてください。</p>
 <p>禁止</p>	<p>この機器には、付属の電源コードを使用する それ以外の物を使用すると、故障、火災、感電の原因となります。</p> <p>ぐらついた台の上や傾いた所など不安定な場所に置かない 湿気やほこりの多い場所に置かない。風呂、シャワー室では使用しない 調理台や加湿器のそばなど油煙や湯気が当たる場所に置かない 火災・感電やけがの原因となる場合があります。</p>
 <p>禁止</p>	<p>電源プラグを抜くときは、電源コードを引っ張らない コードが傷つき、火災・感電の原因となる場合があります。必ずプラグを持って抜いてください。</p>
 <p>禁止</p>	<p>濡れた手で電源プラグを抜き差ししない 感電の原因となる場合があります。</p>
 <p>注意</p>	<p>5年に1度は、機器内部の掃除を販売店またはティアック修理センター（巻末に記載）にご相談ください。内部にはこりがたまったまま、長い間掃除をしないと火災や故障の原因となる場合があります。特に、湿気の多くなる梅雨期の前に行くと、より効果的です。なお、掃除費用については、ご相談ください。</p>

目次

安全にお使いいただくために	3
はじめに	4
本機の概要	4
本製品の構成	4
本書の表記	4
設置上の注意	5
結露について	5
製品のお手入れ	5
ユーザー登録について	5
アフターサービス	5
各部の名称	6
フロントパネル	6
リアパネル	6
準備	6
接続前の注意	6
接続	6
設置	7
仕様	7
一般	7
寸法図	7

はじめに

このたびは、TASCAM Powered Studio Monitor VL-S5をお買い上げいただきまして、誠にありがとうございます。

ご使用になる前に、この取扱説明書をよくお読みになり、正しい取り扱い方法をご理解いただいた上で、未永くご愛用くださいますようお願い申し上げます。お読みになったあとは、いつでも見られるところに保管してください。また取扱説明書は、TASCAMのウェブサイト (<http://tascam.jp/>) からダウンロードすることができます。

本機の概要

- 5.25インチ ウーファー
- 1インチ ツィーター
- 低域40W・高域30Wのバイアンプ搭載
- XLRバランス入力端子、TRSバランス／アンバランス入力端子
- ボリュームコントロール装備
- 防磁型

本製品の構成

本製品の構成は、以下の通りです。

なお、開梱は本体に損傷を与えないよう慎重に行ってください。梱包箱と梱包材は、後日輸送するときのために保管しておいてください。

付属品が不足している場合や輸送中の損傷が見られる場合は、当社までご連絡ください。

- | | |
|-------------------|----|
| ● 本体 | x1 |
| ● 電源コード | x1 |
| ● 取扱説明書（本書、保証書付き） | x1 |

本書の表記

本書では、以下のような表記を使います。

- 本機のボタン／端子などを「**Power**スイッチ」のように太字で表記します。
- 必要に応じて追加情報などを、「ヒント」、「メモ」、「注意」として記載します。

ヒント

本機を、このように使うことができる、といったヒントを記載します。

メモ

補足説明、特殊なケースの説明などを記載します。

注意

指示を守らないと、人がけがをしたり、機器が壊れたり、データが失われたりする可能性がある場合に記載します。

設置上の注意

- 本機の動作保証温度は、摂氏5度～35度です。
- 次のような場所に設置しないでください。音質低下の原因、または故障の原因となります。
 - 振動の多い場所
 - 窓際などの直射日光が当たる場所
 - 暖房器具のそばなど極端に温度が高い場所
 - 極端に温度が低い場所
 - 湿気の多い場所や風通しが悪い場所
- 放熱をよくするために、本機の上には物を置かないでください。
- パワーアンプなど熱を発生する機器の上に本機を置かないでください。
- 本機の近くにパワーアンプなどの大型トランスを持つ機器がある場合にハム（うなり）を誘導することがあります。この場合は、この機器との間隔や方向を変えてください。
- テレビやラジオの近くで本機を動作させると、テレビ画面に色むらが出る、またはラジオからの雑音が出ることがあります。この場合は、本機を遠ざけて使用してください。
- 携帯電話などの無線機器を本機の近くで使用すると、着信時や発信時、通話時に本機から雑音が出ることがあります。この場合は、これらの機器を本機から遠ざけるか、もしくは電源を切ってください。

結露について

本機を寒い場所から暖かい場所へ移動したときや、寒い部屋を暖めた直後など、気温が急激に変化すると結露を生じることがあります。結露したときは、約1～2時間放置してから電源を入れてお使いください。

製品のお手入れ

製品の汚れは、柔らかい布でからぶきしてください。化学ぞうきん、ベンジン、シンナー、アルコールなどで拭かないでください。表面を傷める、または色落ちさせる原因となります。

ユーザー登録について

TASCAMのウェブサイトにて、オンラインでのユーザー登録をお願いいたします。

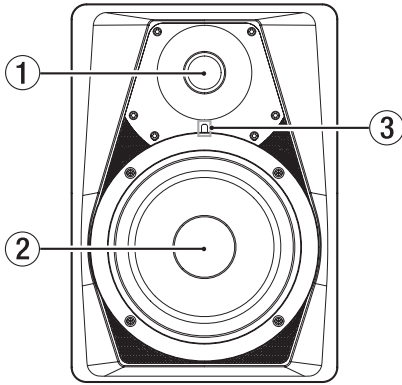
<http://tascam.jp/support/registration/>

アフターサービス

- この製品には、保証書が添付（巻末に記載）されています。大切に保管してください。万が一販売店印の捺印やご購入日の記載が無い場合は、無料修理保証の対象外になりますので、ご購入時のレシートなどご購入店・ご購入日が確認できるものを一緒に保管してください。
- 保証期間はご購入日より1年です。保証期間中は、保証書に記載の無料修理規定によりティアック修理センター（巻末に記載）が無料修理致します。その他の詳細については、保証書をご参照ください。
- 保証期間経過後、または保証書を提示されない場合の修理については、ご購入の販売店またはティアック修理センター（巻末に記載）にご相談ください。修理によって機能を維持できる場合は、お客様のご要望により有料修理いたします。
- 万一、故障が発生した場合は使用を中止し、ご購入の販売店またはティアック修理センター（巻末に記載）までご連絡ください。
- 修理を依頼される場合は、次の内容をお知らせください。なお、本機の故障、もしくは不具合により発生した付随的損害（録音内容などの補償）の責については、ご容赦ください。
 - 型名、型番（VL-S5）
 - 製造番号（Serial No.）
 - 故障の症状（できるだけ詳しく）
 - お買い上げ年月日
 - お買い上げ販売店名
- お問い合わせ先については、巻末をご参照ください。
- 本機を廃棄する場合に必要な収集費などの費用は、お客様のご負担になります。

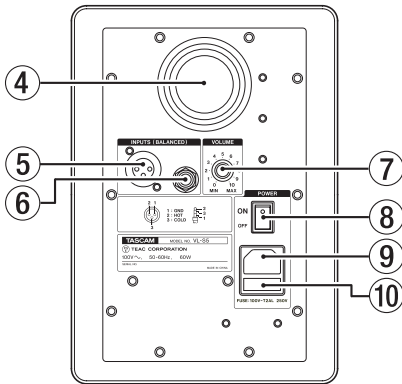
各部の名称

フロントパネル



- ① ツイーターユニット
- ② ウーファーユニット
- ③ パワーインジケーター

リアパネル



- ④ ベントポート
- ⑤ XLR入力端子
- ⑥ TRS入力端子
- ⑦ 出力ボリュームノブ
- ⑧ 電源スイッチ
- ⑨ AC IN端子
- ⑩ ヒューズホルダー

本機は、ヒューズを備えています。万一、動作しなくなった場合は、電源プラグを抜いてディアック修理センター（巻末に記載）にご相談ください。

準備

接続前の注意

- 本機を開梱するとき、スピーカーユニットを持たないでください。
- 信号ケーブルや電源コードは、引っ掛けたりする恐れのないように接続してください。
- 本機の内蔵アンプの電源を入れる前には、入力信号をゼロか最小にしてから電源を入れてください。大きな入力信号のまま電源を入れると、スピーカーユニットを損傷する恐れがあります。
- 大音量で長時間連続使用しないでください。聴覚上の障害をおこす恐れがあります。
- このスピーカーシステムは、防磁加工されていますが、組み合わせるテレビモニターの種類によっては、画面への影響が出る場合があります。設置位置を確定する前に、いろいろな設置方法や位置などをテストしてください。
- 電源コードや電源コンセント、または音声信号ケーブルやプラグには、損傷がなく、芯線同士のショートなどのないものをご使用ください。
- 電源スイッチをオフにしてから電源コードを接続してください。
- 本機には、音声信号以外の信号を入力しないでください。
- 音声信号を本機に接続する際には、入力信号レベルをゼロか最小にし、内蔵パワーアンプの電源スイッチをオフになっていることを確認してから接続してください。
- 接続は、正しい極性で行ってください。

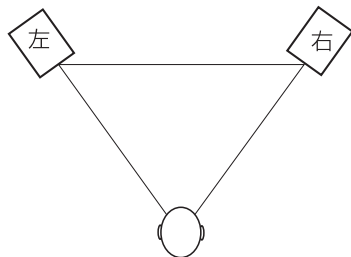
接続

1. 電源スイッチをオフにします。
2. 付属の電源コードを本機に接続し、電源を接続します。
3. 本機の入力端子（XLRタイプまたはTRSタイプ）に音声信号を入力します。

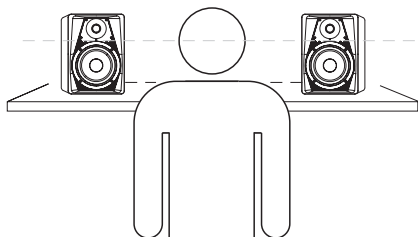
設置

スピーカーを正しく設置することは、非常に重要です。スピーカーを設置する位置によっては、低域成分の量感が変わります。スピーカーの能力を十分発揮できるように、いろいろな位置でテストしてください。

- ステレオ配置する場合は、リスニングポイントと2つのスピーカーユニットが正三角形になるように設置してください。



- ウーファーの最上部が耳の高さの位置になるように設置してください。



- 鏡、ガラスなど、音を反射させるものなどの近くに設置しないでください。また、スピーカーとリスニングポイントの間にも、物を置かないでください。

仕様

一般

低域出力

40W

高域出力

30W

スピーカーユニット

5.25インチ ウーファー

1インチ ツイーター

エンクロージャー形式

防磁型

周波数特性

60Hz ~ 22kHz

クロスオーバー周波数

3.2kHz

感度

200mV

入力端子

XLRバランス端子、TRSバランス/アンバランス端子

入力インピーダンス

20k Ω 平衡、10k Ω 不平衡

電源

AC100V、50/60Hz

消費電力

60W

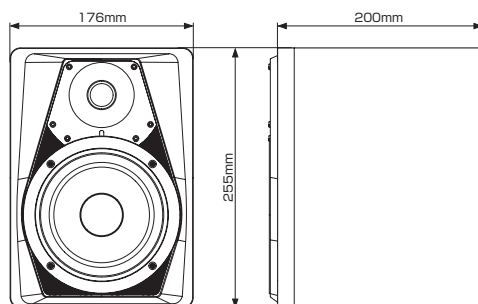
外形寸法

176 x 255 x 200mm (幅×高さ×奥行)

質量

5.2kg

寸法図



- 取扱説明書のイラストが一部製品と異なる場合があります。
- 製品の改善により、仕様および外観が予告なく変更することがあります。

ティアック株式会社

〒206-8530 東京都多摩市落合1-47

この製品の取り扱いなどに関するお問い合わせは

タスカム カスタマーサポート 〒206-8530 東京都多摩市落合1-47



0570-000-809

市内通話料でOK

ナビダイヤル

一般電話・公衆電話からは市内通話料金でご利用いただけます。

受付時間は、10:00～12:00 / 13:00～17:00です。(土・日・祝日・弊社指定休日を除く)

●ナビダイヤルがご利用いただけない場合

電話：042-356-9137 / FAX：042-356-9185

故障・修理や保守についてのお問い合わせは

ティアック修理センター 〒358-0026 埼玉県入間市小谷田858



0570-000-501

市内通話料でOK

ナビダイヤル

一般電話・公衆電話からは市内通話料金でご利用いただけます。

受付時間は、9:30～17:00です。(土・日・祝日・弊社指定休日を除く)

●ナビダイヤルがご利用いただけない場合

電話：04-2901-1033 / FAX：04-2901-1036

■住所や電話番号は、予告なく変更する場合があります。あらかじめご了承ください。

WARRANTY / 保証書

< In the United States >

This warranty gives you specific legal rights and you may also have other rights which vary from state to state. This warranty is only valid within the country the unit was originally purchased.

WHAT IS AND IS NOT COVERED

Except as specified below, this warranty covers all defects in materials and workmanship in this product. The following are not covered by the warranty:

1. Damage to or deterioration of the external cabinet.
2. Damages resulting from accident, misuse, abuse or neglect.
3. Damage resulting from failure to perform basic daily maintenance and/or calibration or otherwise resulting from failure to follow instructions contained in your owner's manual.
4. Damage occurring during shipment of the product. (Claims must be presented to the carrier)
5. Damage resulting from repair or attempted repair by anyone other than TEAC or an authorized TASCAM service station.
6. Damage resulting from causes other than product defects, including lack of technical skill, competence, or experience of the user.
7. Damage to any unit which has been altered or on which the serial number has been defaced, modified or is missing.

WHO MAY ENFORCE THE WARRANTY

This warranty may be enforced only by the original purchaser.

LENGTH OF WARRANTY

All parts except heads and disk drives are warranted for one (1) year from the date of original purchase. Heads and disk drives are warranted to ninety (90) days from date of original purchase. Labor is warranted for ninety (90) days from date of original purchase.

WHAT WE WILL PAY FOR

We will pay all labor and material expenses for items covered by the warranty. Payment of shipping charges is discussed in the next section of this warranty.

HOW YOU CAN GET WARRANTY SERVICE

Your unit must be serviced by an authorized TASCAM service station in the United States. (This warranty is not enforceable outside the U.S.) If you are unable to locate an authorized TASCAM service station in your area, please contact us. We either will refer you to an authorized service station or instruct you to return the unit to the factory. Whenever warranty service is required, you must present a copy of the original dated sales receipt from an Authorized TASCAM Dealer.

You must pay any shipping charges if it is necessary to ship the product to service. However, if the necessary repairs are covered by the warranty, we will pay return surface shipping charges to any destination within the United States.

LIMITATION OF IMPLIED WARRANTIES

Any implied warranties, INCLUDING WARRANTIES OF MERCHANTABILITY AND FITNESS FOR A PARTICULAR PURPOSE, are limited in duration to the length of this warranty.

EXCLUSION OF DAMAGES

TEAC's liability for any defective product is limited to repair or replacement of the product, at TEAC's option. TEAC shall not be liable for:

1. Damages based upon inconvenience, loss of use of the product, loss of time interrupted operation or commercial loss; or
2. Any other damages, whether incidental, consequential or otherwise.

Some states do not allow limitations on how long an implied warranty lasts and/or do not allow the exclusion or limitation of incidental or consequential damages, so the above limitations and exclusions may not apply to you.

To locate an Authorized Service Center in Your Area

CALL 1-800-447-8322

< Europe >

This product is subject to the legal warranty regulations of the country of purchase. In case of a defect or a problem, please contact the dealer where you bought the product.

Ce produit est sujet aux réglementations concernant la garantie légale dans le pays d'achat. En cas de défaut ou de problème, veuillez contacter le revendeur chez qui vous avez acheté le produit.

Dieses Gerät unterliegt den gesetzlichen Gewährleistungsbestimmungen des Landes, in dem es erworben wurde. Bitte wenden Sie sich im Gewährleistungsfall an den Händler, bei dem Sie das Gerät erworben haben.

Questo apparecchio è conforme alle norme sulla garanzia vigenti nel rispettivo Paese in cui esso è stato acquistato. Si prega di rivolgersi al proprio commerciante, presso il quale è stato acquistato l'apparecchio, nel caso in cui si voglia richiedere una prestazione in garanzia.

Las condiciones de garantía de este aparato están sujetas a las disposiciones legales sobre garantía del país en el que ha sido adquirido. En caso de garantía, debe dirigirse al establecimiento donde adquirió el aparato.

<日本>

無料修理規定 (持ち込み修理)

1. 取扱説明書、本体貼付ラベルなどの注意書きにしたがった正常な使用状態で保証期間内に故障が発生した場合には、ティアック修理センターが無料修理いたします。
2. 本製品の保証期間は、お買い上げの日から1年です。
3. 保証期間内に故障して無料修理を受ける場合は、本書をご提示の上、ティアック修理センターまたはお買い上げの販売店に修理をご依頼ください。商品を送付していただく場合の送付方法については、事前にティアック修理センターにお問い合わせください。
4. ご転居、ご贈答品などでお買い上げの販売店に修理をご依頼にならない場合は、ティアック修理センターにご連絡ください。

5. 次の場合には、保証期間内でも有料修理となります。

- (1) ご使用上の誤りおよび不当な修理や改造による故障および損傷
- (2) お買い上げ後の輸送・移動・落下などによる故障および損傷
- (3) 火災、地震、水害、落雷、その他の天災地変、公害や異常電圧による故障および損傷
- (4) 接続している他の機器に起因する故障および損傷
- (5) 業務上の長時間使用など、特に苛酷な条件下において使用された場合の故障および損傷
- (6) メンテナンス
- (7) 本書の提示がない場合
- (8) 本書にお買い上げ年月日、お客様名、販売店名(印)の記入のない場合、あるいは字句を書き換えられた場合

6. 本書 (日本語記載部) は日本国内においてのみ有効です。These warranty provisions in Japanese are valid only in Japan.

7. 本書は再発行いたしませんので、紛失しないよう大切に保管してください。

※ この保証書は、本書に明示した期間・条件のもとにおいて無料修理をお約束するものです。この保証書によって保証書を発行しているもの (保証責任者)、およびそれ以外の事業者に対するお客様の法律上の権利を制限するものではありません。保証期間経過後の修理などについてご不明の場合は、ティアック修理センターにお問い合わせください。

< In other countries/areas >

This warranty gives you specific legal rights, and you may also have other rights that vary by country, state or province.

If you have a warranty claim or request, please contact the dealer where you bought the product.

该证书赋予了顾客特定的合法权利,并且因国家,州或省等地域的不同,顾客可能拥有其他权利。如需申请或要求保修,请与购买本产品的销售店进行联系。

If you require repair services for your TASCAM equipment, please contact the dealer where the product was purchased from or the TASCAM Distributor in your country. A list of TASCAM Distributors can be found on our website at: <http://teac-global.com/>

WARRANTY / 保証書

Model / 型名

Owner's name / お名前

Serial No. / 番

Address / ご住所

Date of purchase / お買い上げ日

Dealer's name / 販売店

TASCAM

<http://teac-global.com/>

Dealer's address / 住所

Memo / 修理メモ

Free Manuals Download Website

<http://myh66.com>

<http://usermanuals.us>

<http://www.somanuals.com>

<http://www.4manuals.cc>

<http://www.manual-lib.com>

<http://www.404manual.com>

<http://www.luxmanual.com>

<http://aubethermostatmanual.com>

Golf course search by state

<http://golfingnear.com>

Email search by domain

<http://emailbydomain.com>

Auto manuals search

<http://auto.somanuals.com>

TV manuals search

<http://tv.somanuals.com>