

## Connection

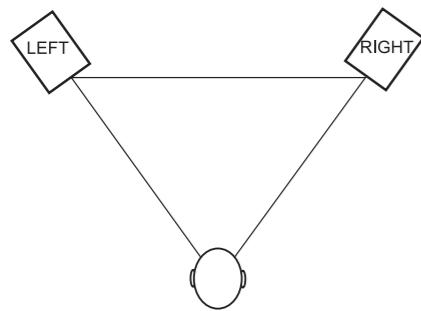
1. Make sure the power is turned off.
2. Connect the AC adaptor to the unit, the power cord to the AC adaptor, and the power cord to an AC outlet.
3. Connect a sound source to the input connector of VL-M3 with a suitable Audio Cable.
4. Connect the left speaker and the right speaker with the included speaker cable.

## Installation

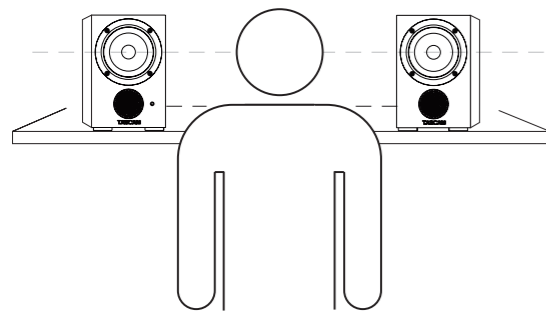
The speaker placement is important for monitoring sounds correctly.

To get the best performance of the speaker system, please follow the instruction explained below.

- Place the active unit on the left side of listener.
- Basically, two units and the listener should be aligned in a regular triangle form.



- The center of the speaker units are recommended to be at listener's ear height.

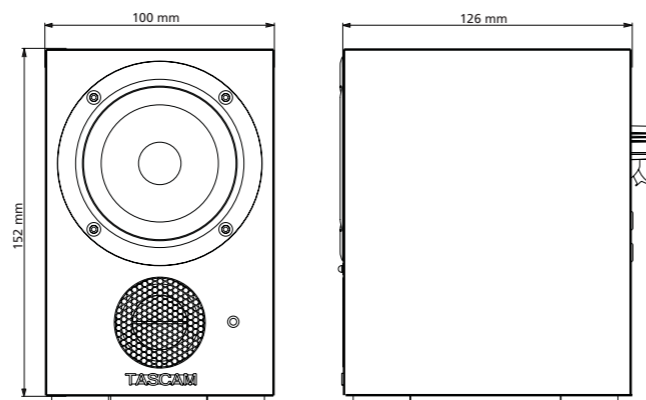


- Please also make sure not to place any obstacles that may block the flow of air or that may generate sound reflections in front of the speakers.

## Specifications

Amplifier Power:	12 W + 12 W
Speaker Unit:	3" Full-Range
Enclosure:	Bass reflex type
Frequency response:	46 Hz-20 kHz, +0/-3 dB
Sensitivity:	-6dBV (0.5 Vrms)
Input connector:	RCA pin jack
Input impedance:	5 kΩ
Power requirements:	AC adaptor (TASCAM PS-1818)
AC adaptor input:	AC 100-240V, 50/60 Hz
AC adaptor output voltage:	18V DC
AC adaptor output electric current:	1.8 A
Power consumption:	15 W
Dimensions (W x H x D):	100 x 152 x 126 mm 3.94 x 5.98 x 4.96 in.
Weight	
Left channel active unit:	1.2 kg/2.65 lb
Right channel passive unit:	1.1 kg/2.43 lb

## Dimensional drawings

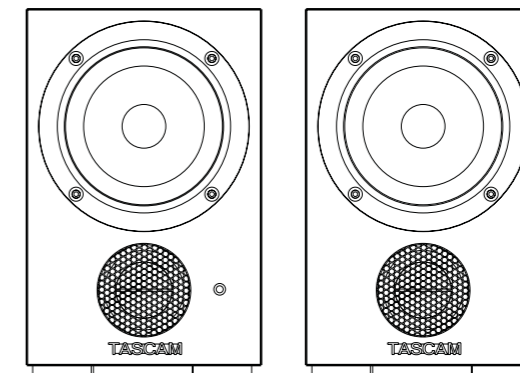


**TASCAM**<sup>®</sup>  
TEAC PROFESSIONAL

# VL-M3

## Powered Monitor

## OWNER'S MANUAL



**TASCAM**<sup>®</sup>  
TEAC PROFESSIONAL

# VL-M3

### TEAC CORPORATION

Phone: +81-42-356-9143  
1-47 Ochiai, Tama-shi, Tokyo 206-8530, Japan

[www.tascam.jp](http://www.tascam.jp)

### TEAC AMERICA, INC.

Phone: +1-323-726-0303  
7733 Telegraph Road, Montebello, California 90640 USA

[www.tascam.com](http://www.tascam.com)

### TEAC CANADA LTD.

Phone: +1905-890-8008 Facsimile: +1905-890-9888  
5939 Wallace Street, Mississauga, Ontario L4Z 1Z8, Canada

[www.tascam.com](http://www.tascam.com)

### TEAC MEXICO, S.A. de C.V.

Phone: +52-55-5010-6000  
Río Churubusco 364, Colonia Del Carmen, Delegación Coyoacán, CP 04100, México DF, México

[www.teacmexico.net](http://www.teacmexico.net)

### TEAC UK LIMITED

Phone: +44-8451-302511  
Suites 19 & 20, Building 6, Croxley Green Business Park, Hatters Lane, Watford, Hertfordshire, WD18 8TE, UK

[www.tascam.co.uk](http://www.tascam.co.uk)

### TEAC EUROPE GmbH

Phone: +49-611-71580  
Bahnstrasse 12, 65205 Wiesbaden-Erbenheim, Germany

[www.tascam.de](http://www.tascam.de)

# IMPORTANT SAFETY INSTRUCTIONS



CAUTION: TO REDUCE THE RISK OF ELECTRIC SHOCK, DO NOT REMOVE COVER (OR BACK). NO USER-SERVICEABLE PARTS INSIDE. REFER SERVICING TO QUALIFIED SERVICE PERSONNEL.



The lightning flash with arrowhead symbol, within equilateral triangle, is intended to alert the user to the presence of uninsulated "dangerous voltage" within the product's enclosure that may be of sufficient magnitude to constitute a risk of electric shock to persons.



The exclamation point within an equilateral triangle is intended to alert the user to the presence of important operating and maintenance (servicing) instructions in the literature accompanying the appliance.

**WARNING: TO PREVENT FIRE OR SHOCK HAZARD, DO NOT EXPOSE THIS APPLIANCE TO RAIN OR MOISTURE.**

- 1 Read these instructions.
  - 2 Keep these instructions.
  - 3 Heed all warnings.
  - 4 Follow all instructions.
  - 5 Do not use this apparatus near water.
  - 6 Clean only with dry cloth.
  - 7 Do not block any ventilation openings. Install in accordance with the manufacturer's instructions.
  - 8 Do not install near any heat sources such as radiators, heat registers, stoves, or other apparatus (including amplifiers) that produce heat.
  - 9 Do not defeat the safety purpose of the polarized or grounding-type plug. A polarized plug has two blades with one wider than the other. A grounding type plug has two blades and a third grounding prong. The wide blade or the third prong are provided for your safety. If the provided plug does not fit into your outlet, consult an electrician for replacement of the obsolete outlet.
  - 10 Protect the power cord from being walked on or pinched particularly at plugs, convenience receptacles, and the point where they exit from the apparatus.
  - 11 Only use attachments/accessories specified by the manufacturer.
  - 12 Use only with the cart, stand, tripod, bracket, or table specified by the manufacturer, or sold with the apparatus. When a cart is used, use caution when moving the cart/apparatus combination to avoid injury from tip-over.
  - 13 Unplug this apparatus during lightning storms or when unused for long periods of time.
  - 14 Refer all servicing to qualified service personnel. Servicing is required when the apparatus has been damaged in any way, such as power-supply cord or plug is damaged, liquid has been spilled or objects have fallen into the apparatus, the apparatus has been exposed to rain or moisture, does not operate normally, or has been dropped.
- Do not expose this apparatus to drips or splashes.
  - Do not place any objects filled with liquids, such as vases, on the apparatus.
  - Do not install this apparatus in a confined space such as a book case or similar unit.
  - The apparatus draws nominal non-operating power from the AC outlet with its POWER or STANDBY/ON switch not in the ON position.
  - The apparatus should be located close enough to the AC outlet so that you can easily grasp the power cord plug at any time.
  - The mains plug is used as the disconnect device, the disconnect device shall remain readily operable.
  - If the product uses batteries (including a battery pack or installed batteries), they should not be exposed to sunshine, fire or excessive heat.
  - CAUTION for products that use replaceable lithium batteries: there is danger of explosion if a battery is replaced with an incorrect type of battery. Replace only with the same or equivalent type.
  - Caution should be taken when using earphones or headphones with the product because excessive sound pressure (volume) from earphones or headphones can cause hearing loss.
  - If you are experiencing problems with this product, contact TEAC for a service referral. Do not use the product until it has been repaired.



# VL-M3 Owner's Manual

Thank you for your purchase of the TASCAM VL-M3, a pair of Powered Monitors. Before connecting and using the unit, please take time to read this manual thoroughly to ensure you understand how to properly set up and connect the VL-M3, as well as the operation of its functions. After you have finished reading this manual, please keep it in a safe place for future reference.

## Main Features

- 3" full-range speakers
- Bass reflex type
- 12W + 12W amplifier power
- RCA pin jack input
- Output level control
- Powered by AC adaptor

## Included items

The items included in the product are listed below. Take care when opening the package to avoid damaging the items. Keep the packaging materials for transportation in the future. Please contact the store where you purchased this product if any of these items are missing or have been damaged during transportation.

- Main unit (left channel active unit, right channel passive unit)..... 1 pair
- AC adaptor (TASCAM PS-1818) ..... 1 set
- Speaker cable..... 1
- Audio connection cable (RCA pin jack - Stereo mini plug) ..... 1
- Warranty card..... 1
- Owner's manual (this document) ..... 1

### CAUTION

Never use any adapter other than the designated PS-1818 AC adaptor. Use of a different adapter could cause malfunction, fire or electric shock.

## Cautions on installation

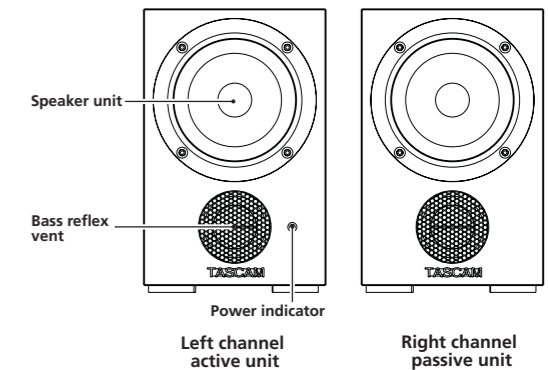
Do not install in the following types of places. Doing so could degrade the sound quality and/or cause malfunctions.

- Places with significant vibrations or that are otherwise unstable
- Near windows or other places exposed to direct sunlight
- Near heaters or other extremely hot places
- Extremely cold places
- Places with bad ventilation or high humidity

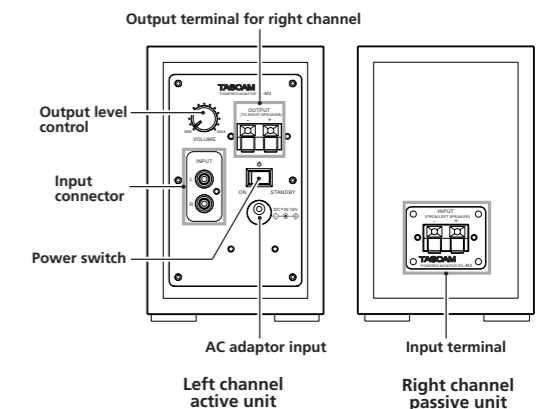
## Cleaning the unit

To clean the unit, wipe it gently with a soft dry cloth. Do not use benzene, paint thinner, ethyl alcohol or other chemical agents to clean the unit as they could damage the surface or cause fading.

## Front panel



## Rear panel



## Precautions for Connection

- When unpacking, do not grab by the front of the unit where the driver is mounted as this may result in damage to the cone.
- Turn off the power switch on the rear panel before connecting the power cord to the unit.
- Be sure that the connection is made securely to avoid accidental disconnection.
- Adjust the input signal levels on your audio device to the minimum or zero before turning on the power switch on the rear panel to prevent possible damage to the unit.
- Do not use the system continuously for long periods of time at high volume levels to avoid any possible damage to your hearing.
- Depending on the TV monitor used with the system, the speaker system may affect the quality of the picture on the monitor. In this case, try various positions to find best place to install the speaker system.
- The voltage supplied to the unit should match the voltage as printed on the rear panel.
- Use audio cables that are free of damage.
- Do not send signals other than audio signals to the unit.
- The polarity of an audio cable connected to the unit should match the pin assignments.

## Free Manuals Download Website

<http://myh66.com>

<http://usermanuals.us>

<http://www.somanuals.com>

<http://www.4manuals.cc>

<http://www.manual-lib.com>

<http://www.404manual.com>

<http://www.luxmanual.com>

<http://aubethermostatmanual.com>

Golf course search by state

<http://golfingnear.com>

Email search by domain

<http://emailbydomain.com>

Auto manuals search

<http://auto.somanuals.com>

TV manuals search

<http://tv.somanuals.com>