

# TEAC

# GF-350

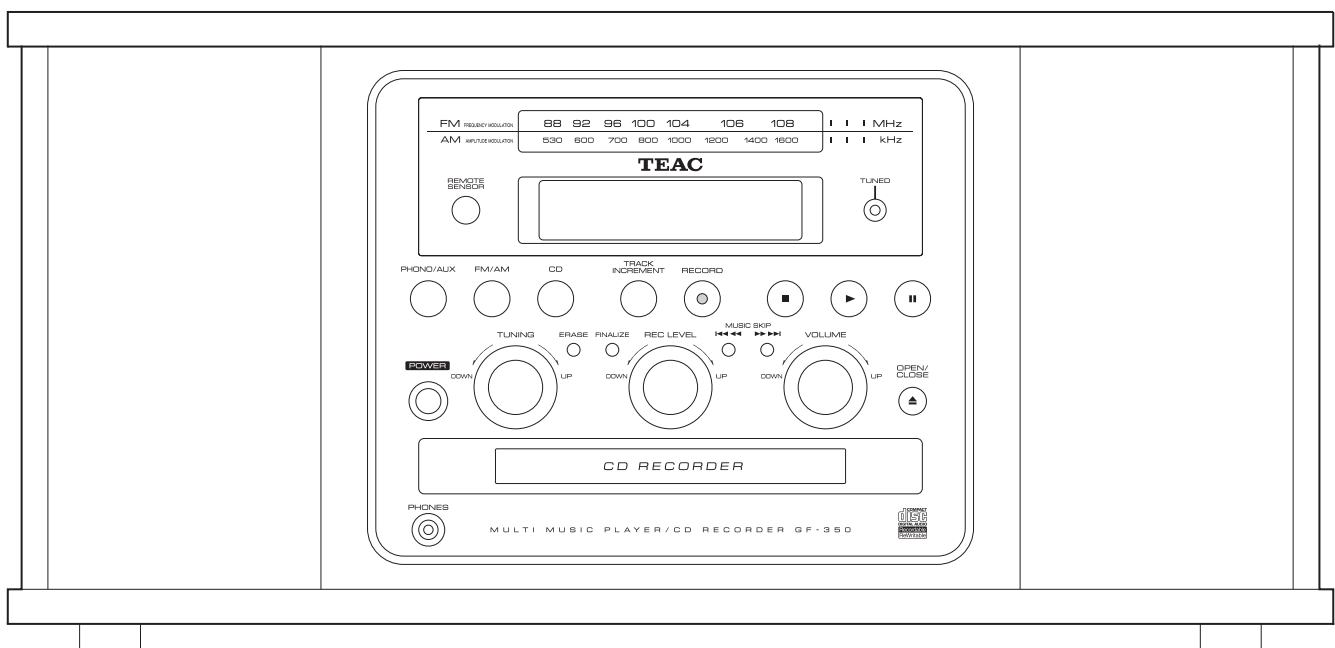
COMPACT  
disc  
DIGITAL AUDIO  
Recordable  
ReWritable

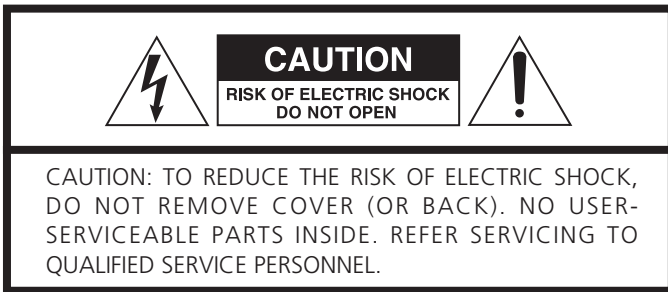
## Multi music player / CD recorder

### OWNER'S MANUAL MANUEL DU PROPRIÉTAIRE

ENGLISH

FRANÇAIS





The lightning flash with arrowhead symbol, within an equilateral triangle, is intended to alert the user to the presence of uninsulated "dangerous voltage" within the product's enclosure that may be of sufficient magnitude to constitute a risk of electric shock to persons.



The exclamation point within an equilateral triangle is intended to alert the user to the presence of important operating and maintenance (servicing) instructions in the literature accompanying the appliance.

## IMPORTANT SAFETY INSTRUCTIONS

- 1) Read these instructions.
- 2) Keep these instructions.
- 3) Heed all warnings.
- 4) Follow all instructions.
- 5) Do not use this apparatus near water.
- 6) Clean only with dry cloth.
- 7) Do not block any ventilation openings. Install in accordance with the manufacturer's instructions.
- 8) Do not install near any heat sources such as radiators, heat registers, stoves, or other apparatus (including amplifiers) that produce heat.
- 9) Do not defeat the safety purpose of the polarized or grounding-type plug. A polarized plug has two blades with one wider than the other. A grounding type plug has two blades and a third grounding prong. The wide blade or the third prong are provided for your safety. If the provided plug does not fit into your outlet, consult an electrician for replacement of the obsolete outlet.
- 10) Protect the power cord from being walked on or pinched particularly at plugs, convenience receptacles, and the point where they exit from the apparatus.
- 11) Only use attachments/accessories specified by the manufacturer.
- 12) Use only with the cart, stand, tripod, bracket, or table specified by the manufacturer, or sold with the apparatus. When a cart is used, use caution when moving the cart/apparatus combination to avoid injury from tip-over.
- 13) Unplug this apparatus during lightning storms or when unused for long periods of time.
- 14) Refer all servicing to qualified service personnel. Servicing is required when the apparatus has been damaged in any way, such as power-supply cord or plug is damaged, liquid has been spilled or objects have fallen into the apparatus, the apparatus has been exposed to rain or moisture, does not operate normally, or has been dropped.
  - Do not expose this apparatus to dripps or splashes.
  - Do not place any objects filled with liquids, such as vases, on the apparatus.
  - Do not install this apparatus in a confined space such as a book case or similar unit.
  - The apparatus draws nominal non-operating power from the AC outlet with its POWER switch in the off position.



**WARNING : TO PREVENT FIRE OR SHOCK HAZARD, DO NOT EXPOSE THIS APPLIANCE TO RAIN OR MOISTURE.**

**CAUTION**

- DO NOT REMOVE THE EXTERNAL CASES OR CABINETS TO EXPOSE THE ELECTRONICS. NO USER SERVICEABLE PARTS ARE WITHIN!
- IF YOU ARE EXPERIENCING PROBLEMS WITH THIS PRODUCT, CONTACT TEAC FOR A SERVICE REFERRAL. DO NOT USE THE PRODUCT UNTIL IT HAS BEEN REPAIRED.
- USE OF CONTROLS OR ADJUSTMENTS OR PERFORMANCE OF PROCEDURES OTHER THAN THOSE SPECIFIED HEREIN MAY RESULT IN HAZARDOUS RADIATION EXPOSURE.

**For U.S.A.**

This equipment has been tested and found to comply with the limits for a Class B digital device, pursuant to Part 15 of the FCC Rules. These limits are designed to provide reasonable protection against harmful interference in a residential installation. This equipment generates, uses, and can radiate radio frequency energy and, if not installed and used in accordance with the instructions, may cause harmful interference to radio communications. However, there is no guarantee that interference will not occur in a particular installation. If this equipment does cause harmful interference to radio or television reception, which can be determined by turning the equipment off and on, the user is encouraged to try to correct the interference by one or more of the following measures:

- Reorient or relocate the equipment and/or the receiving antenna.
- Increase the separation between the equipment and receiver.
- Connect the equipment into an outlet on a circuit different from that to which the receiver is connected.
- Consult the dealer or an experienced radio/TV technician for help.

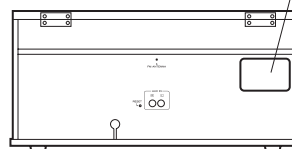
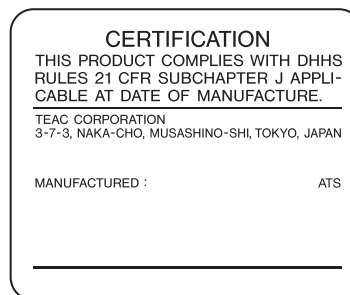
**CAUTION**

Changes or modifications to this equipments not expressly approved by TEAC CORPORATION for compliance will void the user's warranty.

This product has been designed and manufactured according to FDA regulations "title 21, CFR, chapter 1, subchapter J, based on the Radiation Control for Health and Safety Act of 1968", and is classified as class 1 laser product. There is not hazardous invisible laser radiation during operation because invisible laser radiation emitted inside of this product is completely confined in the protective housings.

The label required in this regulation is shown ①.

① For U.S.A.



**Optical pickup :**

- Type : SF-W36FR
- Manufacturer : SANYO ELECTRIC CO., LTD.
- Laser output : Less than 1 mW (Play) on the objective lens  
Less than 5 mW (Record) on the objective lens  
Less than 10 mW (Erase) on the objective lens
- Wavelength : 783 nm

**CAUTION**

The product shall not be exposed to dripping or splashing and that no object filled with liquids, such as vases, shall be placed on the product.

Do not install this equipment in a confined space such as a book case or similar unit.

## Contents

**Thank you for choosing TEAC. Read this manual carefully to get the best performance from this unit.**

Contents . . . . .	4
Before using the unit . . . . .	4
Handling Records . . . . .	5
How to Replace the Stylus. . . . .	5
Discs. . . . .	6
Remote Control Unit. . . . .	7
Connections . . . . .	8
Parts of the Turntable . . . . .	9
Unit Functions and Remote Control . . . . .	10
Basic Operation (Listening to an external source). . . . .	12
Listening to the Radio . . . . .	12
Listening to a Record . . . . .	13
Listening to a CD . . . . .	15
Time Display . . . . .	16
Repeat Playback . . . . .	17
Shuffle Playback . . . . .	17
Programmed Playback. . . . .	18
Before Recording . . . . .	19
Recording . . . . .	20
Finalize . . . . .	22
Erase or Unfinalize a CD-RW. . . . .	23
Troubleshooting . . . . .	24
Messages . . . . .	25
Specifications . . . . .	25

## Before using the unit

### Read this before attempting any operations

- The nominal temperature should be between 5°C and 35°C (41°F and 95°F). The CD-RW recorder is more sensitive to extremes of temperature than ordinary CD players.
- Relative humidity should be 30 to 90 degrees noncondensing.
- As the unit may become warm during operation, always leave sufficient space around the unit for ventilation.
- The voltage supplied to the unit should match the voltage as printed on the rear panel. If you are in any doubt regarding this matter, consult an electrician.
- Choose the installation location of your unit carefully. Avoid placing it in direct sunlight or close to a source of heat. Also avoid locations subject to vibrations and excessive dust, heat, cold or moisture.
- Do not place the unit on an amplifier/receiver.
- Do not open the cabinet as this might result in damage to the circuitry or electrical shock. If a foreign object should get into the unit, contact your dealer or service company.
- When removing the power plug from the wall outlet, always pull directly on the plug, never yank the cord.
- To keep the laser pickup clean, do not touch it, and always close the disc tray.
- Do not attempt to clean the unit with chemical solvents as this might damage the finish. Use a clean, dry cloth.
- Keep this manual in a safe place for future reference.

### DO NOT MOVE THE UNIT DURING PLAYBACK

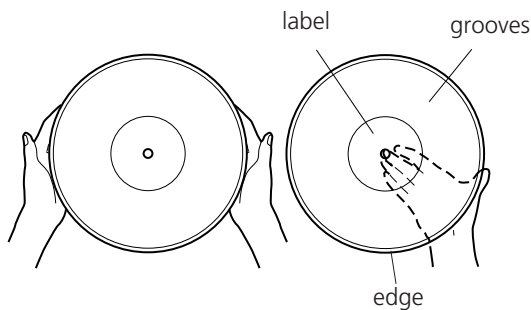
During playback, the disc rotates at high speed. Do NOT lift or move the unit during playback. Doing so may damage the disc or the unit.

### WHEN MOVING THIS UNIT

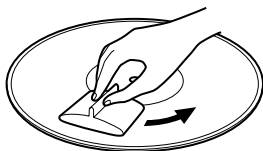
When changing the unit's location or packing the unit for moving, be sure to remove the record or disc. Moving this unit with the record or disc loaded may result in damage to this unit. If the unit is to be packed and moved a great distance, it is also advisable to tighten the turntable transport locking screw. See Page 9 for instructions.

## Handling Records

- Do not touch the record's grooves. Only handle records, by the edges or the label, with clean hands. Skin oils from even clean hands can leave a residue on the record surface that will gradually deteriorate the quality of your record.



- Keep your records away from dust. Keep them in a cool, dry place.
- To avoid dust and scratches, keep records in their sleeves and jackets when not in use.
- Store records upright on their edges. Records stored horizontally will eventually bend and warp.
- Do not expose records to direct sunlight or high humidity and temperature. Long exposure to high temperatures will warp the record.
- Do not store your records in the trunk of your car. The temperature in a closed trunk can ruin your collection.
- Store records in an area with stable temperature and humidity.
- Should the record become dirty, gently wipe the surface in a circular motion, using a soft anti-static cloth. Commercial record cleaning systems are available from many retailers or on-line. TEAC does not endorse any specific product but, depending on the condition of your record collection, it may be advisable to look into one of these systems. Clean records protect your stylus from undue wear.



## How to Replace the Stylus

The stylus should last about 50 hours under normal use. However, it is recommended that the stylus be replaced as soon as you notice a change in sound quality.

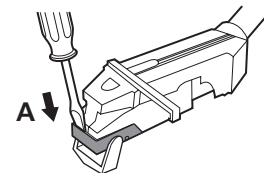
Prolonged use of a worn-out stylus may damage the record. Wear and tear on the stylus will be accelerated when playing 78 RPM records. The higher speed of 78 RPM records wears the stylus more quickly.

### Caution:

- Do not remove or bend the stylus.
- To avoid injury, do not touch the needle.
- Turn off the unit's power before you replace the stylus.
- Keep out of the reach of children.
- Handle with care, as the stylus is delicate. Use of a bent or broken stylus may damage the record and cause the turntable to malfunction.
- Do not expose stylus to extreme heat.
- Contact a qualified repair company if you experience difficulty in changing the stylus.

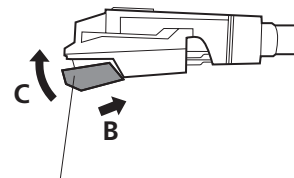
### Removing old stylus

1. Set a screwdriver at the tip of the stylus and push down to the direction "A".
2. Remove the stylus by pulling it forward and down.



### Installing a new stylus

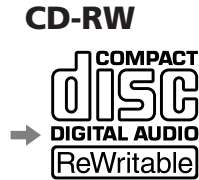
1. Hold the tip of the stylus and insert the other edge by pressing in the direction "B".
2. Push up in the direction "C" until it locks at the tip.



Guide Pins (inside)

The replacement stylus for this GF-350 is a STL-153. Please contact TEAC Parts at (323) 726-0303, extension 840 to order. Or call our automated Service Agency Locator at: (800) 447-TEAC for the closest authorized repair company that can replace the stylus for you.

Please use CD, CD-R and CD-RW discs bearing the "DIGITAL AUDIO" mark.

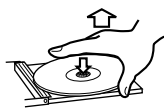


This unit **CANNOT RECORD CD-R and CD-RW discs designed for computer systems.**



In this manual, although we refer to "CD-R" and CD-RW" discs, we always mean "CD-R Digital Audio" and "CD-RW Digital Audio", even when this is not explicitly stated.

- CD-R and CD-RW discs designed for computer systems and properly recorded by a computer are playable, but this unit cannot record, finalize nor erase them.
- Depending on the quality of the disc and/or the condition of the recording, some CD-R/CD-RW discs may not be playable.
- Copy-protected discs and other discs which do not conform to the CD standard may not play back correctly in this player. If you use such discs in this unit, TEAC Corporation and its subsidiaries cannot be responsible for any consequences or guarantee the quality of reproduction. If you experience problems with such non-standard discs, you should contact the producers of the disc.
- Always place the disc on the disc tray with the label side uppermost. (Compact discs can be played or recorded only on one side.)
- To remove a disc from its storage case, press down on the center of the case and lift the disc out, holding it carefully by the edges.



How to remove the disc

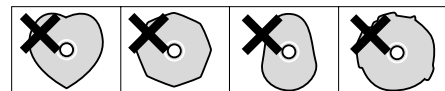


How to hold the disc

- Should the disc become dirty, wipe the surface radially (from the center hole outward towards the outer edge) with a soft, dry cloth:



- Never use such chemicals as record sprays, antistatic sprays or fluid, benzine or thinner to clean the discs. Such chemicals will do irreparable damage to the disc's plastic surface.
- Discs should be returned to their cases after use to avoid dust and scratches that could cause the laser pickup to "skip."
- Do not expose discs to direct sunlight or high humidity and temperature for extended periods. Long exposure to high temperatures will warp the disc.
- Do not play any disc that is warped, deformed or damaged. Playing such discs may cause irreparable harm to the playing mechanisms.
- CD-R and CD-RW discs are more sensitive to the effects of heat and ultraviolet rays than ordinary CDs. It is important that they are not stored in a location where direct sunlight will fall on them, and away from sources of heat such as radiators or heat-generating electrical devices.
- Printable CD-R and CD-RW discs aren't recommended, as the label side might be sticky and damage the unit.
- Do not stick papers or protective sheets on the discs and do not use any protective coating spray.
- Use a soft oil-based felt-tipped pen to write the information on the label side. Never use a ball-point or hard-tipped pen, as this may cause damage to the recorded side.
- Never use a stabilizer. Using commercially available CD stabilizers with this unit will damage the mechanisms and cause them to malfunction.
- Do not use CDs with an irregular shape (octagonal, heart shaped, business card size, etc.). CDs of this sort can damage the unit:



- If you are in any doubt as to the care and handling of a CDR/ CD-RW disc, read the precautions supplied with the disc, or contact the disc manufacturer directly.

## About CD-R and CD-RW discs

CD-R discs can be recorded once only. Once they have been used for recording, they cannot be erased or re-recorded. However, if space is available on the disc (and the disc has not been finalized), additional material can be recorded.

By contrast, a CD-RW disc can be used in much the same way as a CD-R disc, but the last track or tracks recorded can be erased, and the space on the disc can be re-used for other recordings.

However, you should note that an audio CD created using a CD-RW disc may not play back satisfactorily on every audio CD player.

CD-R, by contrast, may be played satisfactorily on the majority of audio CD players.

## Finalizing

Although audio data may be written on a CD-R or CD-RW disc, a standard CD player will not be able to play back the audio until a final table of contents (TOC) has been written at the start of the disc.

The process of writing this table of contents is known as "finalizing". Once this has been done, no further data can be written to the disc.

Note that a CD-RW disc that has been finalized can be "unfinalized". This allows further tracks to be recorded to the disc, provided that there is space on the disc.

- Repeat, shuffle and programmed playback don't work with unfinalized (NO TOC) discs.

## Recordable discs

In this manual, we use the term "recordable" disc to describe a CD-R or CD-RW disc that has not been finalized, and has enough space to record.

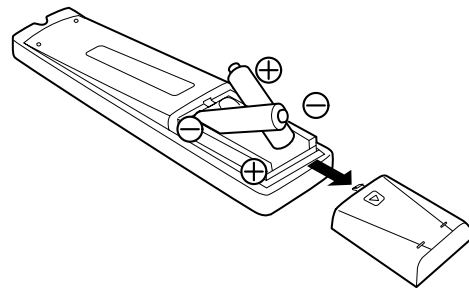
## Remote Control Unit

The provided Remote Control Unit allows the unit to be operated from a distance.

When operating the remote control unit, point it towards the REMOTE SENSOR on the front panel of the unit.

- Even if the remote control unit is operated within the effective range, remote control operation may be impossible if there are any obstacles between the unit and the remote control.
- If the remote control unit is operated near other appliances which generate infrared rays, or if other remote control devices using infrared rays are used near the unit, it may operate incorrectly. Conversely, the other appliances may operate incorrectly.

## Battery Installation



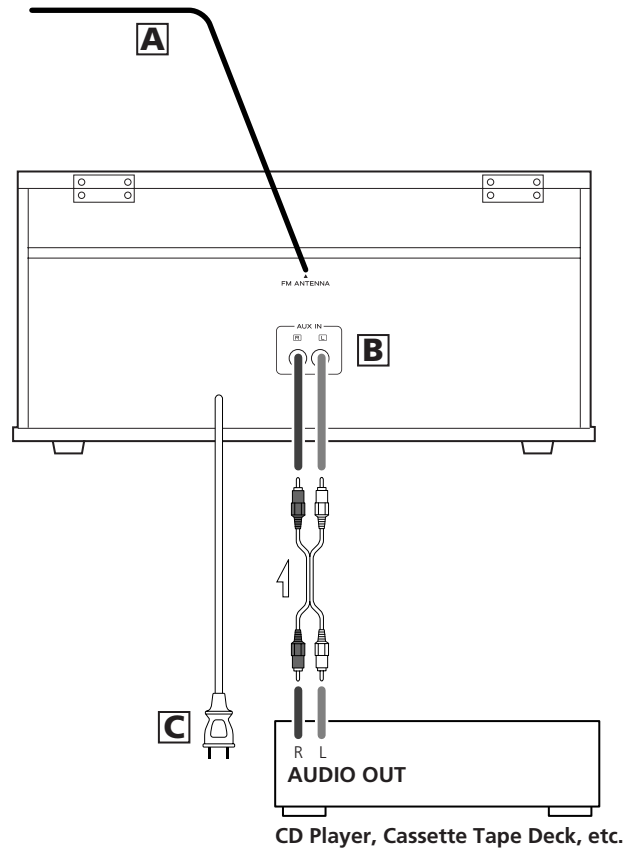
- 1 Remove the battery compartment cover.
- 2 Insert two "AA" (R6, SUM-3) dry batteries. Make sure that the batteries are inserted with their positive "+" and negative "-" poles positioned correctly.
- 3 Close the cover.

## Battery Replacement

If the distance required between the remote control unit and main unit decreases, the batteries are exhausted. In this case replace the batteries with new ones.

## Precautions concerning batteries

- Be sure to insert the batteries with correct positive "+" and negative "-" polarities.
- Use batteries of the same type. Never use different types of batteries together.
- Rechargeable and non-rechargeable batteries can be used. Refer to the precautions on their labels.
- When the remote control unit is not to be used for a long time (more than a month), remove the batteries from the remote control unit to prevent them from leaking. If they leak, wipe away the liquid inside the battery compartment and replace the batteries with new ones.
- Do not heat or disassemble batteries and never dispose of old batteries by throwing them in a fire.



## CAUTION:

- Switch off the power to all equipment before making connections.
- Read the instructions of each component you intend to use with this unit.
- Be sure to insert each plug securely. To prevent hum and noise, avoid bundling the signal interconnection cables together with the AC power cord.

## **A** FM antenna

While in FM mode, tune in an FM station and extend the lead to find the best position for the reception. This antenna may need to be repositioned if you move your unit to a new location.

## **B** AUX IN jacks

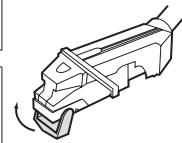
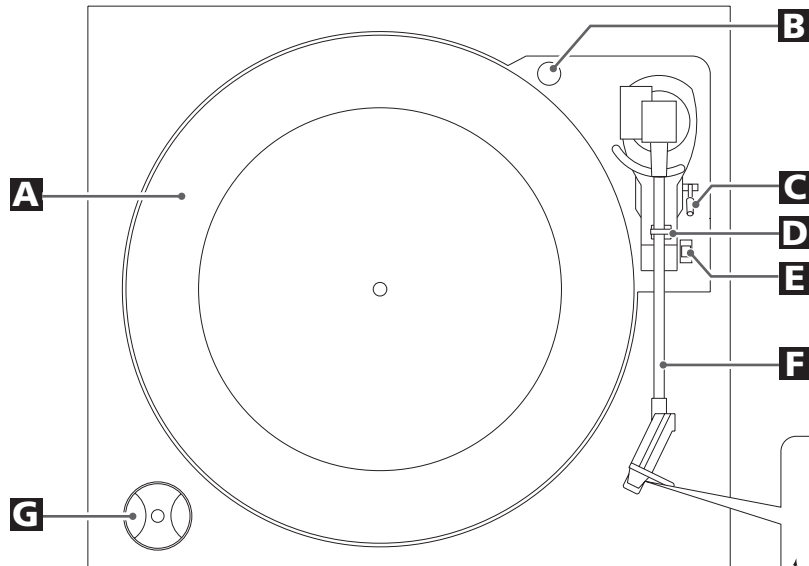
You can connect a CD player, cassette tape deck, etc. to this unit. Connect the component with RCA pin cords. Make sure to connect the white plug to the white jacks (Left) and the red plug to the red jacks (Right).

## **C** AC Power Cord

Plug this AC power cord into an AC wall socket.



## Parts of the Turntable



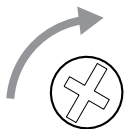
Before use, slide the stylus guard (grayish smoke colored plastic cover) up.

ENGLISH

### **A** turntable

### **B** screw fixing the turntable for transportation

Before use, completely loosen the screw by turning it clockwise with a coin or screwdriver.



When you transport the unit, turn the screw counterclockwise to secure the turntable.

### **C** cue-lever

Use this lever to lift the tone arm.

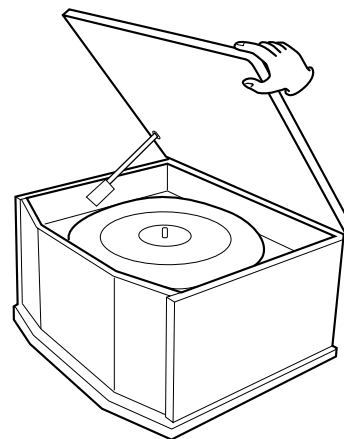
### **D** tone arm holder

### **E** speed selector

### **F** tone arm

### **G** 45 RPM adaptor

## How to open/close the turntable cover



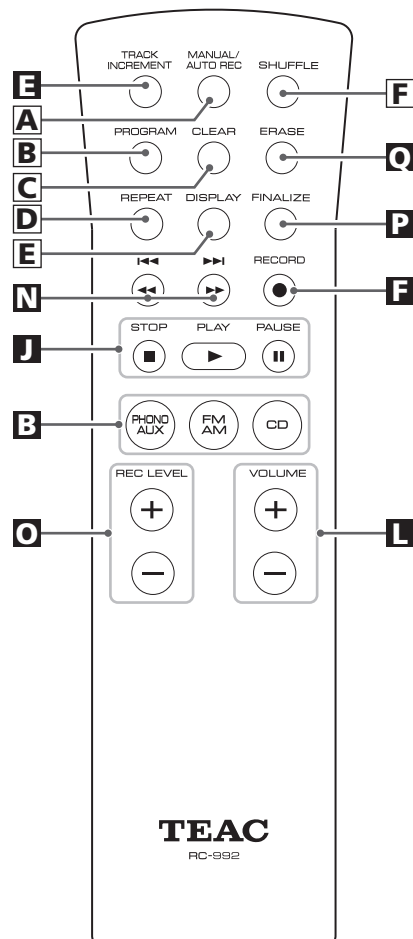
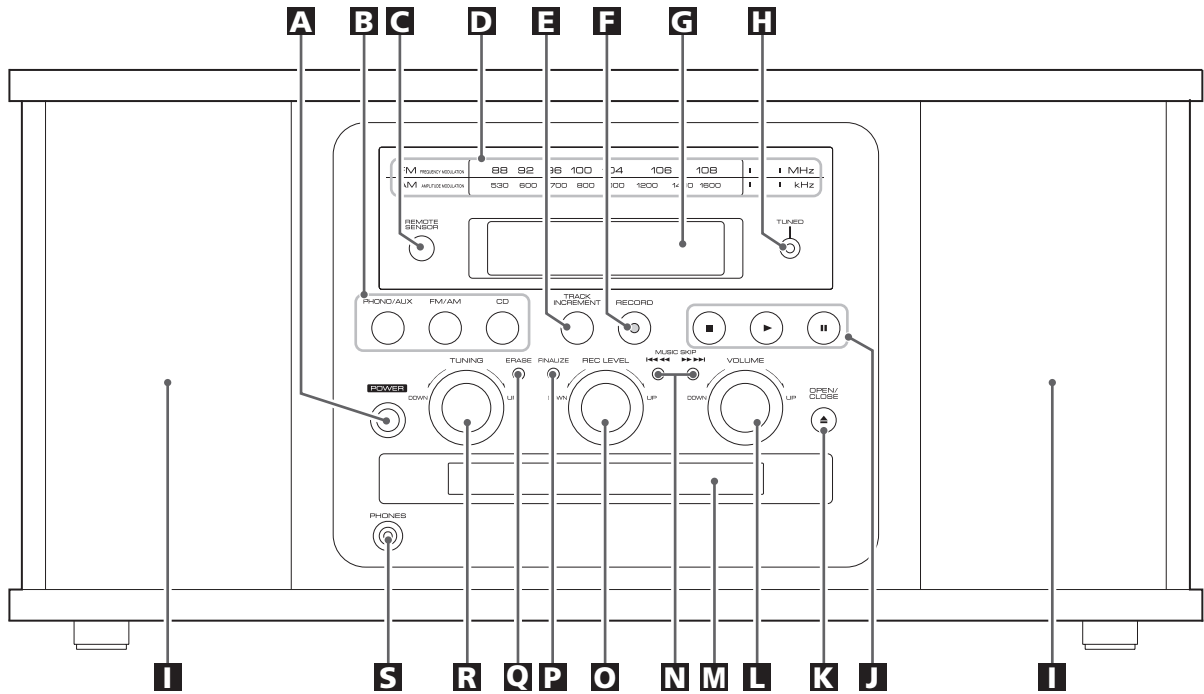
### To Open:

1. Lift the turntable cover all the way up until it stops.
2. Lower the cover slowly until the latch engages.
3. The cover will now stay open. If the latch does not engage, repeat these steps again.

### To Close:

1. Lift the cover all the way up until it stops.
2. The latch should disengage and you may now slowly lower the cover.
3. Make sure you grasp the cover by the edges to avoid pinching your fingers as it closes.

# Unit Functions and Remote Control



**A POWER**

Press this button to turn the unit on or off.

The equipment draws a nominal amount of power from the AC outlet even with its POWER switch in the OFF position.

**B PHONO/AUX, FM/AM, CD**

Press the PHONO/AUX button and select PHONO to play a record.

Press the PHONO/AUX button and select AUX to listen to the external source connected to the AUX IN jacks.

Press the FM/AM button to listen to the radio.

Press the CD button to play a CD.

**C Remote Sensor**

When operating the remote control unit, point it towards the REMOTE SENSOR.

**D Display panel (frequency)**

When the unit is on, this display will light.

**E TRACK INCREMENT**

During recording, use this button to divide tracks.

**F RECORD**

Use this button to enter record pause mode.

**G Display****H TUNED indicator**

Lights when a station is correctly tuned in.

**I Speakers (stereo)****J CD operation buttons****STOP (■)**

Use this button to stop playback or recording.

**PLAY (▶)**

Use this button to start playback, recording, finalizing and erasing.

**PAUSE (⏸)**

Use this button to pause playback or recording.

**K OPEN/CLOSE**

In CD or PHONO/AUX mode, use this button to open and close the disc tray.

- This button don't work in FM/AM mode.

**L VOLUME**

Turn this knob to adjust the volume.

**M Disc Tray****N MUSIC SKIP (⏮ / ⏭)**

In CD mode, use these buttons to skip tracks.

Hold down these buttons to search for a part of a track.

**O REC LEVEL**

In record pause mode, use this knob to adjust the recording level.

**P FINALIZE**

Use this button to finalize a CD-R/CD-RW disc.

**Q ERASE**

Use this button to erase or unfinalize a CD-RW disc.

**R TUNING**

In FM/AM mode, turn this knob to tune in a station.

**S PHONES**

For private listening, first reduce the volume level to minimum. Then insert the plug from your headphones into the PHONES jack, and adjust the volume by turning the VOLUME knob. The sound from speakers will be cut off while the headphones are plugged in.

**A MANUAL/AUTO REC**

Use this button to select the mode of track number assignment.

**B PROGRAM**

In CD mode, use this button to program tracks.

**C CLEAR**

In CD mode, use this button to clear programmed tracks.

**D REPEAT**

In CD mode, use this button to select a repeat mode of CD.

**E DISPLAY**

In CD mode, use this button to change the display.

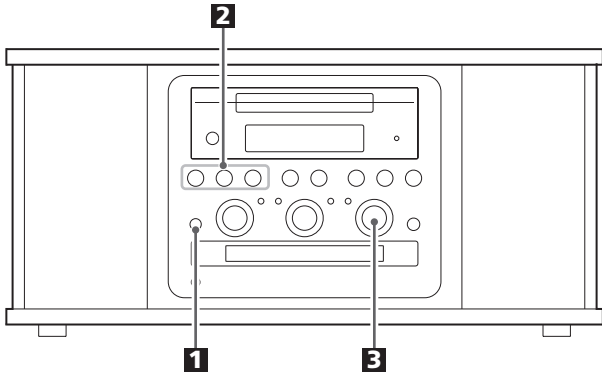
**F SHUFFLE**

In CD mode, use this button for shuffle playback.

**Note:**

To simplify explanations, instructions refer to names of buttons and controls on the front panel, making no mention of the use of remote control unit.

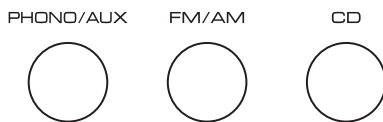
## Basic Operation



**1** Press the POWER switch to turn the unit on.

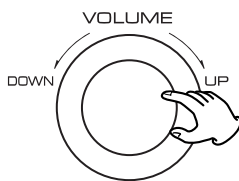


**2** Select a source by pressing the corresponding button.

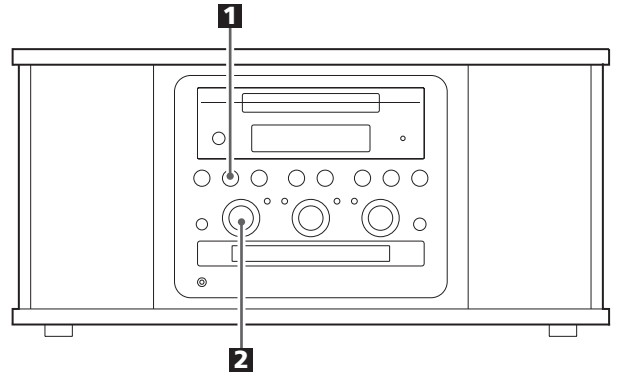


- To listen to an external source connected to AUX jacks, select AUX by pressing the PHONO/AUX button once or twice.

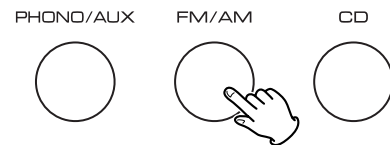
**3** Play the source, and adjust the volume by turning the VOLUME knob.



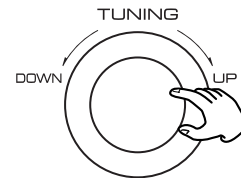
## Listening to the Radio



**1** Select FM or AM using the FM/AM button.



**2** Turn the TUNING knob to tune in a station.



- The TUNED indicator lights when a station is correctly tuned in.
- The STEREO indicator lights when an FM stereo broadcast is tuned in.

### If the reception is poor

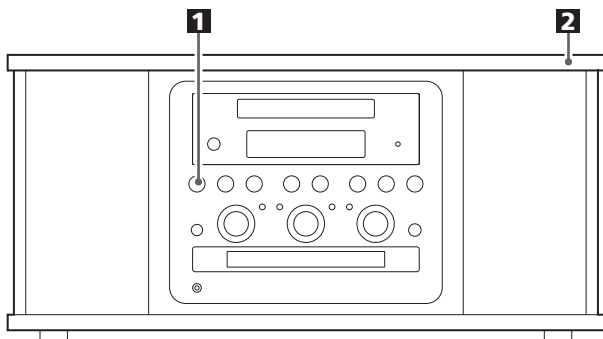
#### AM broadcast

Turn around the unit to find the best position for AM stations.

#### FM broadcast

Extend and turn around the FM antenna so that you can receive the stations clearly.

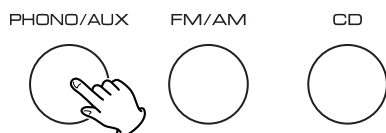
# Listening to a Record 1



Before use, completely loosen the transportation screw by turning it clockwise with a coin.

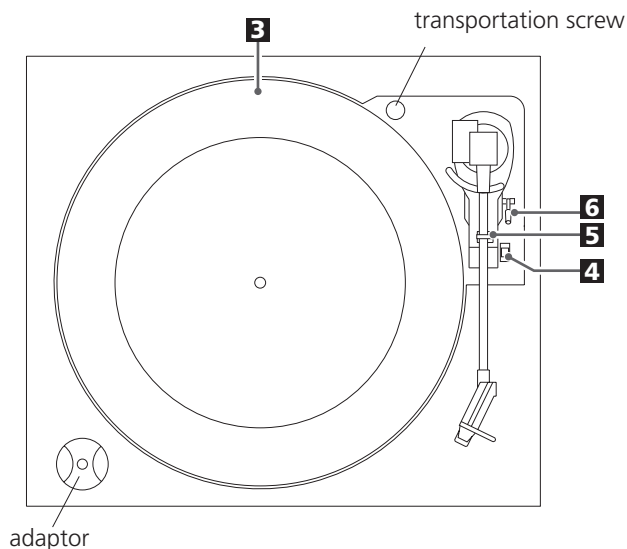
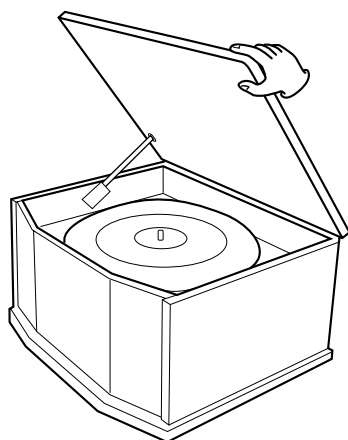
Slide the stylus guard (grayish smoke colored plastic cover) up.

**1** Press the PHONO/AUX button once or twice to select PHONO.



**2** Gently open the dust cover.

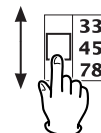
Be careful not to pinch your finger.



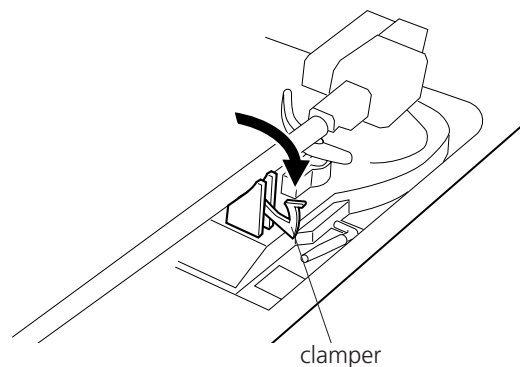
**3** Put the record on the turntable.

When playing a 45 RPM record, use the included adaptor.

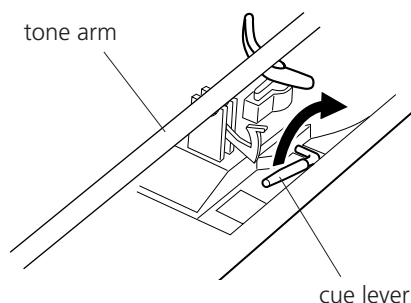
**4** Select the speed.



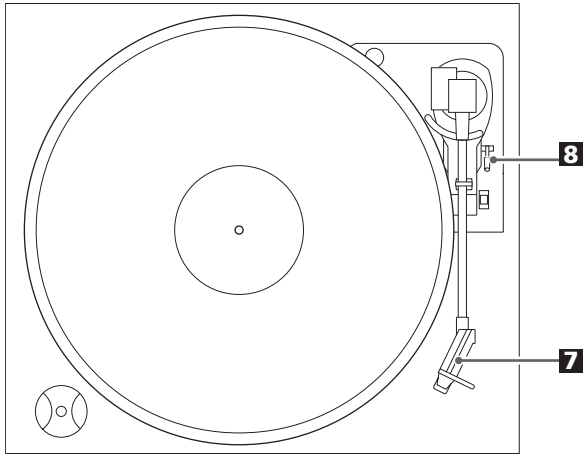
**5** Gently push the clamper to the right to release the tone arm.



**6** Raise the cue lever to lift the tone arm off the tone arm support.

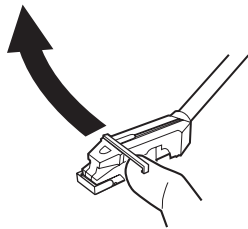


## Listening to a Record 2



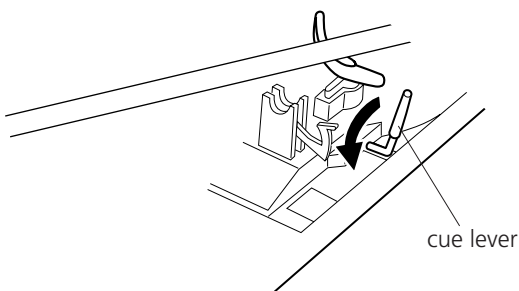
**7** Move the tone arm gently to the edge of the record (or the starting point of a track).

The turntable will begin to turn.



**8** Gently lower the tone arm by slowly releasing the cue lever.

You can lower the tone arm manually if the cue lever has not been raised.

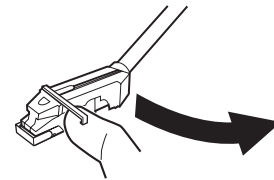
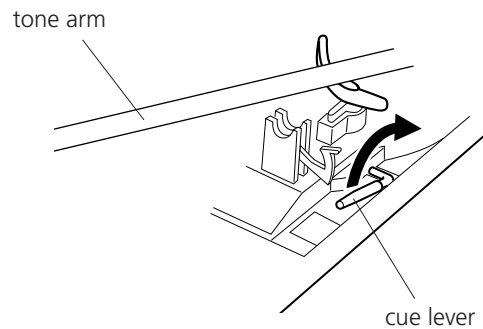


- Playing records with the dust cover down will prevent dust from settling on the turntable.

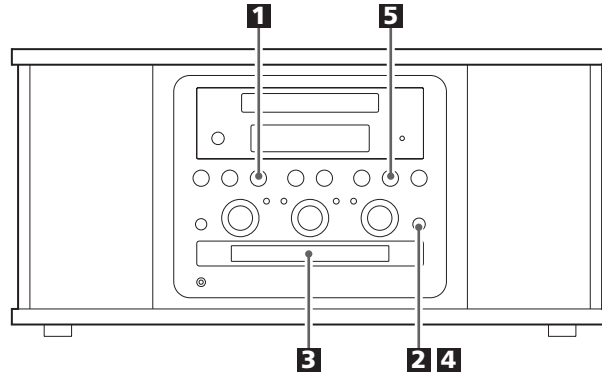
**Please do not place anything on top of the turntable cover, especially while playing a record.**

When the playback has been finished, the tone arm automatically returns to the tone arm holder and the rotation stops.

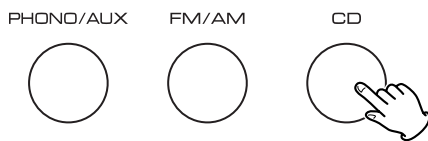
To stop playback manually, slightly lift the tone arm using the cue lever and return it to the tone arm holder.



# Listening to a CD 1



## 1 Press the CD button.

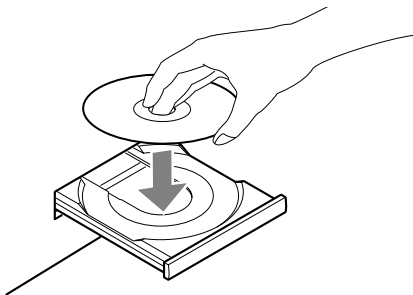


"--" blinks for a few seconds.  
When no disc is set, "nODISC" appears on the display.

## 2 Press the OPEN/CLOSE button (▲).



## 3 Place a disc on the tray with the printed label face up.

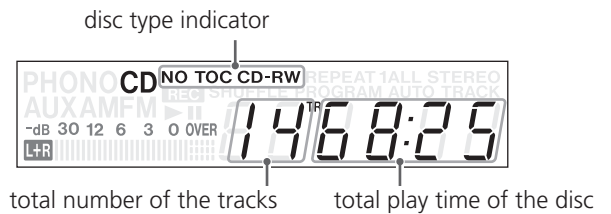


- Never place more than one disc on the tray.
- The disc must be placed in the center of the disc tray. If the disc is not correctly loaded, it may not be possible to open the tray again once it has closed, so you should ensure the disc is always centered on the tray.
- Do not force the tray by hand during opening and closing operations.

## 4 Press the OPEN/CLOSE button (▲) to close the tray.



- It takes a few seconds for the unit to load the disc. No buttons will work during loading. Wait until the total number of the tracks and the total play time of the disc are displayed.



- The disc type indicator shows the type of disc currently loaded.

### CD:

A commercial pre-recorded CD

### CD-R:

A finalized CD-R

### CD-RW:

A finalized CD-RW

### NO TOC CD-R:

A CD-R which has yet to be finalized

### NO TOC CD-RW:

A CD-RW which has yet to be finalized

### blank:

No disc or unreadable disc

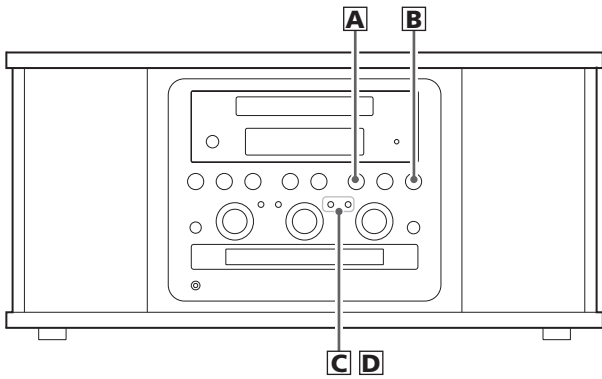
## 5 Press the PLAY button (▶) to start playback.



Disc playback starts from the first track, and the PLAY indicator (▶) lights on the display.

- If you load the disc, and then press the PLAY button without having first closed the disc tray, the disc tray closes and playback starts.

## Listening to a CD 2



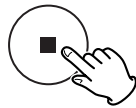
### A To suspend playback temporarily (pause mode)



Press the PAUSE button (||) during playback. Playback stops at the current position.

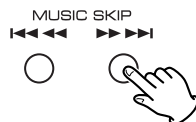
To resume playback, press the PLAY button (▶) or the PAUSE button (||).

### B To stop playback



Press the STOP button (■) to stop playback.

### C To skip to the next or a previous track

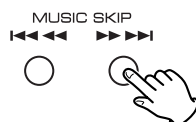


During playback, repeatedly press the SKIP button (◀◀ or ▶▶) until the desired track is found. The selected track will be played from the beginning.

In the stop mode, press the SKIP button (◀◀ or ▶▶) repeatedly until the track you want to listen to is found, and press the PLAY button (▶) to start playback from the selected track.

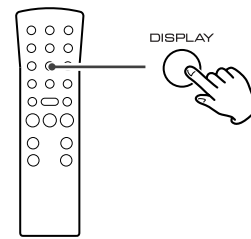
- When the ◀◀ button is pressed during playback, the track being played will be played from the beginning. To return to the beginning of the previous track, press the ◀◀ button twice.

### D Search for a part of a track



During playback, hold down the SKIP button (◀◀ or ▶▶) and release it when the part you want to listen to is found.

## Time Display

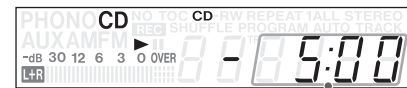


Each time the DISPLAY button is pressed, the display changes as follows:

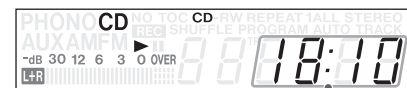
### CD/CD-R/CD-RW playback



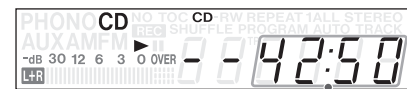
elapsed time of current track



time remaining for current track

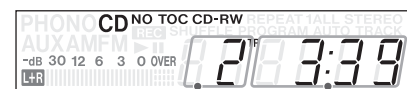


total elapsed time of the disc

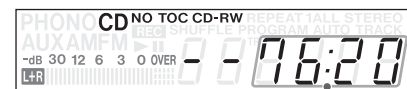


time remaining for the disc

### Unfinalized CD-R/CD-RW, stopped

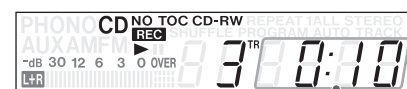


total number of the tracks      total play time of the disc

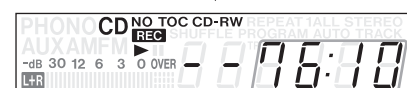


remaining recording time of the disc

### During recording



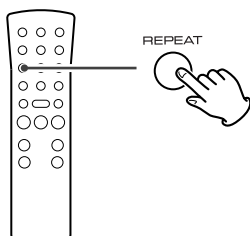
elapsed recording time of the track



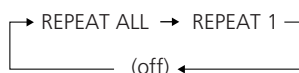
remaining recording time of the disc



## Repeat Playback



Each time the REPEAT button is pressed, the repeat mode is changed as follows:



### REPEAT ALL (Repeat All the Tracks)

Press the REPEAT button once during playback.  
All the tracks of the disc will be played repeatedly.

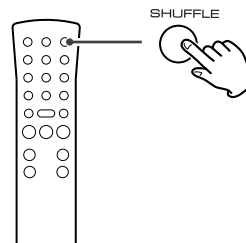
### REPEAT 1 (Repeat one track)

Press the REPEAT button twice during playback.  
The track being played will be played repeatedly. If you press the MUSIC SKIP button and select another track, the track you selected will be played repeatedly.

It is also possible to select a track to be repeated in the stop mode. Press the REPEAT button twice and then select the track number by pressing the MUSIC SKIP button. Press the PLAY button to start playback.

- If one of the following buttons is pressed, repeat mode will be cancelled:  
OPEN/CLOSE, POWER, FM/AM, PHONO/AUX
- Repeat playback works with finalized discs only.

## Shuffle Playback



The tracks can be played randomly. Press the SHUFFLE button during playback. (In the stop mode, press the SHUFFLE button and the PLAY button.)

When the shuffle playback of all the tracks has been finished, the unit stops and the shuffle playback mode is cancelled.

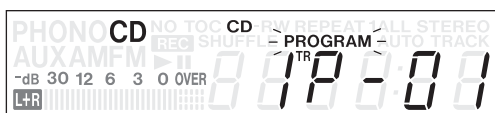
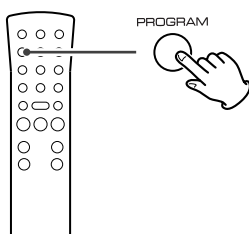
- If you press the ►► button during shuffle playback, next track will be randomly selected and played. If you press the ◀◀ button, the currently played track will be played from the beginning. A track cannot be replayed during shuffle playback.
- Shuffle playback doesn't work during programmed playback.
- If one of the following buttons is pressed, shuffle mode will be cancelled:  
SHUFFLE in the stop mode, OPEN/CLOSE, POWER, FM/AM, PHONO/AUX
- Shuffle playback works with finalized discs only.

# Programmed Playback

Up to 32 tracks can be programmed in the desired order.

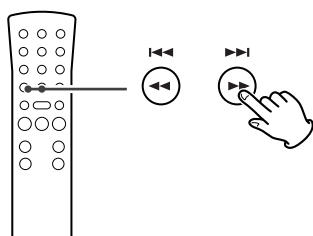
- Insert a disc and select "CD" before beginning programming.
- Shuffle playback does not work during programmed playback.
- Programmed playback works with finalized discs only.

## 1 Press the PROGRAM button in the stop mode.



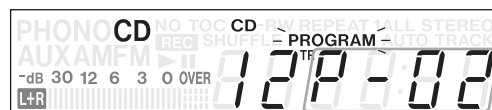
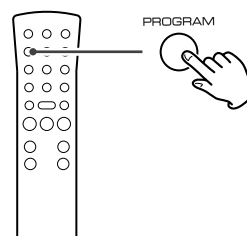
"PROGRAM" indicator blinks, and "P-01" appears on the display.

## 2 Press the MUSIC SKIP button (◀◀ or ▶▶) to select a track.



track number

## 3 Press the PROGRAM button.

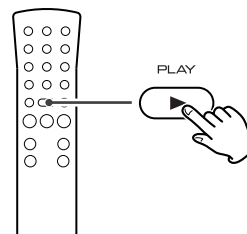


The track is programmed, and "P-02" is displayed.

Repeat step 2 and 3 to program more tracks.

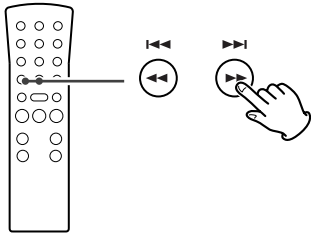
- You can program up to 32 tracks.
- To cancel the program mode, press the STOP button (■).

## 4 When the selection of track numbers has been finished, press the PLAY button (▶) to start program playback.



### To check the programmed order

In the stop mode, press the MUSIC SKIP button repeatedly to show the track numbers that have been stored in memory.

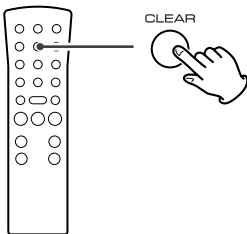


### To add a track to the end of the program

In the stop mode, press the PROGRAM button. Select a track number by pressing the MUSIC SKIP button, and then press the PROGRAM button. The track is added to the end of the program.

### To delete the last track from the program

In the stop mode, press the CLEAR button to delete the last track from the program.



### To clear the program

If one of the following buttons is pressed, the programmed contents will be cleared:

OPEN/CLOSE, POWER, FM/AM, PHONO/AUX, STOP in the stop mode

**Before you start recording, make sure that you understand the following points:**

- The unit requires Digital Audio CD-R or CD-RW media for recording. Computer CD-R or CD-RW discs do not work with this unit.
- Once you have recorded on a CD-R disc, the data cannot be erased from it.
- You can add tracks to an unfinalized recordable disc. Once finalized, a CD-R disc is "fixed" and behaves in the same way as a CD. Finalized CD-RW discs, however, can be unfinalized, erased and re-recorded.
- Due to the system restrictions of CD, a track cannot be less than four seconds in length, and there can be a maximum of 99 tracks on an audio CD.
- If the STOP button or PAUSE button is pressed within four seconds from the beginning of a track, the unit continues to record no signal and stops when the track's length reaches four seconds.
- When the recording is finished, "REC" and "- - - -" blink for a few seconds, and the unit then goes into stop mode. Do not apply shock or vibration to the unit during recording.
- If the disc reaches the end during recording, the unit will start a fade-out over a few seconds. When the fade-out has finished, the unit finalizes the disc automatically and stops.
- If the disc reaches the end of the 99th track during recording, the unit finalizes the disc automatically and stops.
- The recording time of a track may differ slightly from the original one.

### Serial Copy Management System

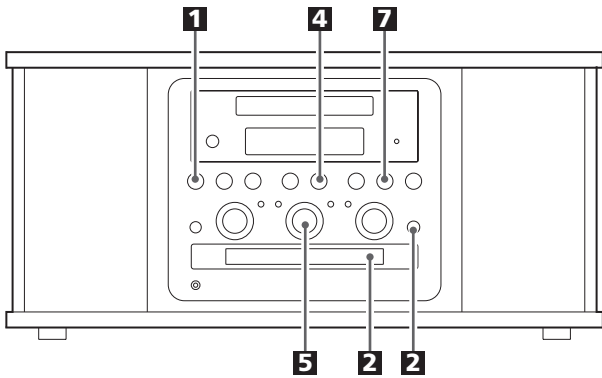
This unit is in compliance with the Serial Copy Management System standard. This standard has been established to restrict digital-to-digital copying to only the first generation. The basic rules governing this system are as follows:

#### Rule 1

A digital recording is possible from a digital source such as a CD, DAT or MD onto a recordable CD-R, CD-RW, MD or DAT through a digital input connection. However, further digital to-digital recording is prohibited for the second and later generations.

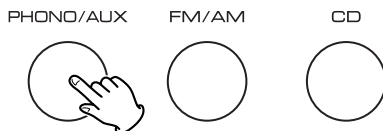
#### Rule 2

When an analog source such as an analog disc or FM broadcast is digitally recorded by using a CD-R, CD-RW, MD or DAT, this recorded source can be digitally recorded on another CD-R, CD-RW, MD or DAT. However, further digital copying is prohibited.



Audio from the PHONO or AUX sources can be recorded on the CD recorder.

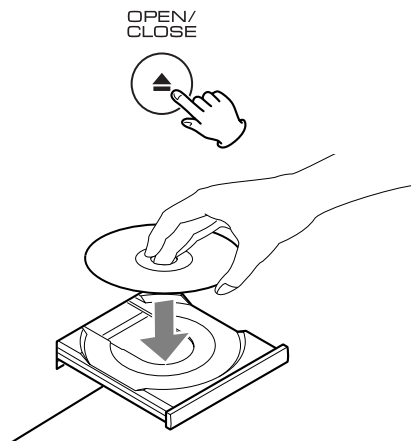
**1** Press the PHONO/AUX button once or twice to select the source to be recorded.



To record a record, select PHONO.

To record an external source connected to the AUX IN jacks, select AUX.

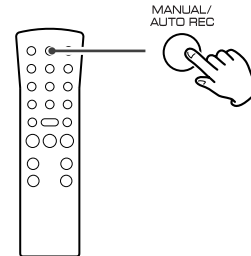
**2** Load a recordable CD-R or CD-RW disc into the unit.



Press the OPEN/CLOSE button (▲), place a disc on the disc tray with the printed label side up, and then press the OPEN/CLOSE button (▲) to close the disc tray.

Make sure "NO TOC" and "CD-R" (or "CD-RW") indicators lights on the display, or the RECORD button in step **4** will not work.

**3** Select the mode of track number assignment using the MANUAL/AUTO REC button of the remote control unit.



When the MANUAL/AUTO REC button is pressed once, the current mode is displayed. Press the MANUAL/AUTO REC button repeatedly to select any other mode.

-- (MANUAL)

The unit doesn't divide tracks.

Use the TRACK INCREMENT button to divide tracks.

MANUAL is recommended for recording an analog source such as a record.

-20db, -30db or -40db (AUTO REC)

The unit will automatically insert a track division in the recorded material when the sound level has dropped below the threshold for more than 2 seconds, and sound has re-started.

"-20db" takes a louder signal to trigger the track increment. "-40db" means that a relatively quiet signal will trigger the track increment. "-40db" is suitable for recording a noiseless source such as a CD.

- AUTO REC may not work properly with analog sources that contain low-level noises.
- The AUTO TRACK indicator lights when -20dB, -30dB or -40dB is selected.
- The default setting is MANUAL (off). When the unit is turned on, or when the disc tray is opened, the setting is automatically reset to MANUAL (off).
- The MANUAL/AUTO REC button doesn't work during recording or in the record pause mode.

**4** Press the RECORD button.

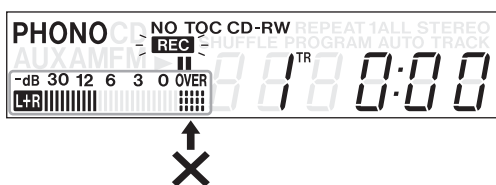
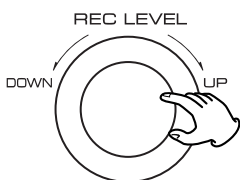


The red indicator on the RECORD button lights.

"REC" and ■■ indicators on the display will light, and the unit enters record pause mode.

- No button will work while "busy" is displayed. Wait a few seconds until "busy" disappears from the display.
- If the red indicator on the RECORD button doesn't light, reload a recordable disc, wait a few seconds until "NO TOC" and "CD-R" (or "CD-RW") indicators light on the display, and press the RECORD button again.

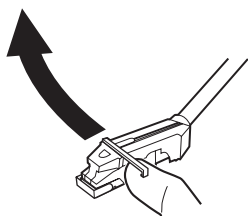
**5** If necessary, adjust the recording level using the REC LEVEL knob.



Play the source to be recorded and adjust the recording level so that the loudest sound does not exceed the "OVER" indicator on the peak level meter.

The level can be adjusted from -∞ (-∞) dB to 18 dB.

**6** If PHONO is selected in step 1, gently lower the tone arm onto the edge of the record (or the track to be recorded).



When the turntable is stopped, the PLAY or the PAUSE button will not work and you cannot start recording.

**7** Press the PLAY or the PAUSE button to start recording.

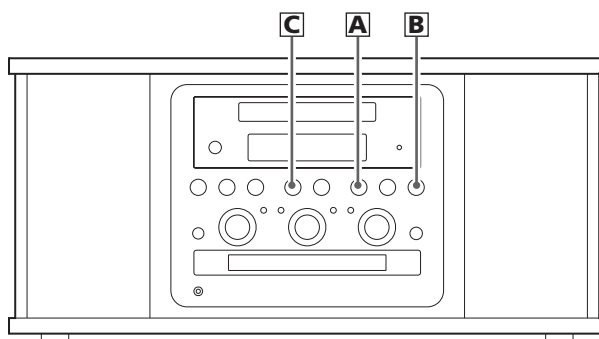


**8** If AUX is selected in step 1, play the source to be recorded.

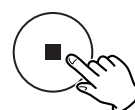
When the playback of the source has been finished, press the STOP button to stop recording.

When the rotation of the turntable stops, the recording will stop automatically.

But to prevent unwanted noise from the tone arm being recorded, stop the recording manually by using the STOP button.



**A** To stop recording



Press the STOP button (■) to stop recording.

**B** To suspend recording temporarily (pause mode)



Press the PAUSE button (||). "busy" briefly appears on the display, and the recording is paused.

To restart recording, press the PLAY button (▶) or the PAUSE button (||).

- You cannot restart recording while "busy" is displayed.
- Remember that every time recording is paused or stopped, a new track number will always be assigned. It is not possible to record in two "stages" within one track.

**C** Manual track division

It is possible to divide the recording into tracks while recording.

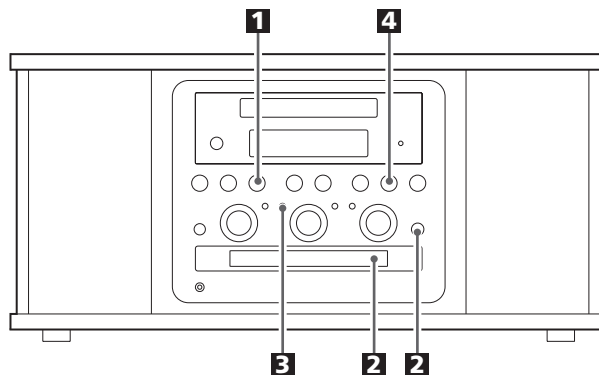
While recording is taking place, press the TRACK INCREMENT button. The current track number will be incremented by one.

TRACK INCREMENT



- The TRACK INCREMENT button works regardless of the MANUAL/AUTO REC setting.

# Finalize

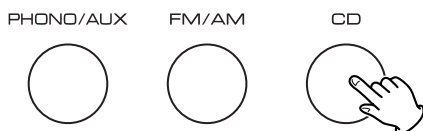


This section deals with the actions taken after recording. Once finalized, CD-R discs are truly final. No more tracks can be recorded on them. By contrast, CD-RW discs can be "unfinalized", and if there is space, further material can be recorded on them.

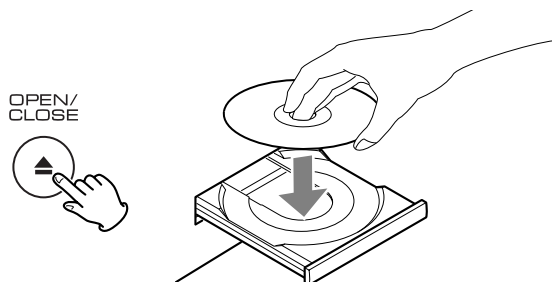
## Finalizing

As has been explained earlier, in order for a disc to become a standard CD, it must have a Table of Contents (TOC) written to it. This process is known as finalizing.

### 1 Press the CD button to select "CD".



### 2 Load an unfinalized (recordable) disc.



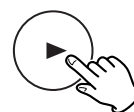
### 3 Press the FINALIZE button in the stop mode.



"Fin--d" appears on the display.

- To cancel the finalizing process, press the STOP button (■).

### 4 Press the PLAY (▶) button to start finalizing.

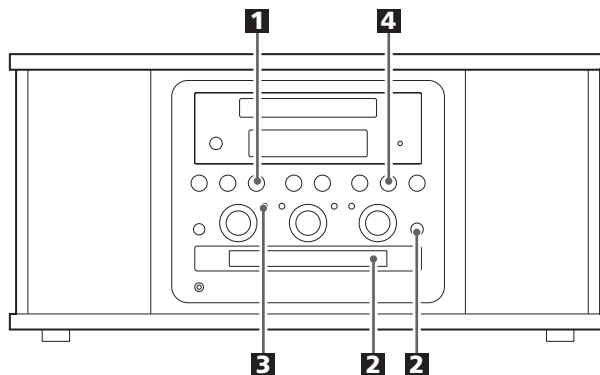


"NO TOC" and "REC" indicators blink, and the remaining time for the finalizing operation appears in the display. When the operation has been finished, the NO TOC indicator turns off and the display returns to the track/time display.

During finalizing, no button works. Never turn the power off nor unplug the power cord.

- Although finalized CD-R discs may be played on ordinary CD players, remember that finalized CD-RW discs may not play on ordinary CD players.

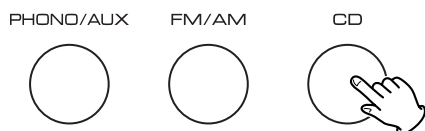
# Erase or Unfinalize a CD-RW



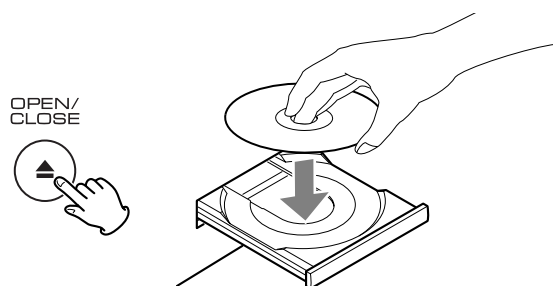
It is possible to erase the last recorded track. It is also possible to erase a whole disc.

Erase procedures are possible only on an unfinalized CD-RW disc. If a CD-RW disc has been finalized, unfinalize it prior to erasure. Remember that it is not possible to perform any erase or unfinalize procedures on a CD-R disc.

## 1 Press the CD button to select "CD".



## 2 Load a recorded CD-RW.



## 3 Press the ERASE button in the stop mode.



"Un Fln" (unfinalize) appears when a finalized disc is loaded.

"Er" and the last track number appear when the disc hasn't been finalized. Each time the ERASE button is pressed, the display changes as follows:

### "Er" and the number of the last track recorded on the disc

Select this to erase the last track on the disc.

- This will not appear when only one track is recorded on the disc.

### Er ALL

Select this to erase all the tracks.

- To cancel the erasing or unfinalizing process, press the STOP button (■).

## 4 Press the PLAY button (▶) to start erasing or unfinalizing.



The remaining time for the operation appears in the display. When the operation has been finished, the display returns to the track/time display.

During erasing/unfinalizing, no buttons will work. Never turn the power off nor unplug the power cord.

- This operation cannot be undone. If you are going to erase a track or tracks, make sure that they are recordings that you really want to erase.

If you experience any problems with the unit, please take a moment to look through this chart and see if you can solve the problem yourself before you call your dealer or a TEAC service center.

## No power

- Check the connection to the AC power source. Check and make sure the AC source is not a switched outlet and if it is, the switch is turned on. Make sure there is power to the AC outlet by plugging another item such as a lamp or fan.

## No sound.

- Adjust the volume.

## The sound is noisy.

- The unit is too close to a TV set or similar appliances. Relocate the unit further away from them, or turn the other appliances off.

## Remote control doesn't work.

- Press the POWER switch of the main unit to turn it ON.
- If the batteries are dead, change the batteries.
- Use the remote control unit within the (5m) range and pointed at the front panel.
- Clear obstacles that are between the remote control unit and the main unit.
- If a strong light is near the unit, turn it off.

## CD Recorder

### Will not play.

- Load a disc with the playback side facing down.
- If the disc is dirty, clean the surface of the disc.
- A blank disc has been loaded. Load a prerecorded disc.
- Depending on the disc, etc. it may not be possible to play back CD-R/CD-RW discs. Try again with another disc.

### Sound skips.

- Place the unit on a stable surface to avoid vibration and shock.
- If the disc is dirty, clean the surface of the disc.
- Don't use scratched, damaged or warped discs.

### Recording is not possible.

- A playback-only disc or finalized disc has been loaded. Use a recordable disc.
- The disc does not have a recordable area. Use another disc.
- The recording level is too low. Adjust the recording level.
- This unit cannot record CD-R or CD-RW discs designed for computer systems. Use a disc bearing the "DIGITAL AUDIO" mark.

## Tuner

### Cannot listen to any station, or signal is too weak.

- Tune in the station properly.
- If a TV is near the unit, turn it off.
- Rotate the unit or antenna wire for the best reception position.

## Turntable

### Will not play.

- Loosen the transportation screw, and slide the stylus guard up.  
(The stylus guard is a grayish smoke plastic cover that protects the stylus during transportation. Failing to remove this guard will not allow the needle to contact the groove of the record and no sound will be heard!)
- If the stylus is worn-out, change the stylus.
- Select the correct playback speed.

### Sound skips.

- Place the unit on a stable surface to avoid vibration and shock. Make sure the unit is level both front to back and side to side.
- Clean the surface of the record/disc.
- Don't use scratched, damaged or warped records/discs.

**If normal operation cannot be obtained, unplug the power cord from the outlet and plug it again.**

## Beware of condensation

When the unit (or a record/disc) is moved from a cold to a warm place, or used after a sudden temperature change, there is the danger of condensation; vapor in the air could condense on the internal mechanism, making correct operation erratic or impossible. To prevent this, or if this occurs, leave the unit for one or two hours with the power turned on. The unit will stabilize at the temperature of its surroundings.

## Maintenance

Always keep the turntable clean.

If the surface of the unit gets dirty, wipe with a soft cloth or use a diluted mild liquid soap. Be sure to remove any excess liquid completely. Do not use thinner, benzine or alcohol as they may damage the surface of the unit. Allow the surface of the unit to dry completely before using.



## Messages

### **0<sup>TR</sup> 0:00**

A blank CD-R/CD-RW disc is set on the tray.

### **BUSY**

The unit is reading the disc. Wait a few seconds.

### **CLOSE**

Close the disc tray.

### **Er \*\***

Erase the last track of the CD-RW disc.

### **Er ALL**

Erase all the tracks of the CD-RW disc.

### **FIN - - d**

Finalize the disc.

### **-\*\*db**

Increment level

### **NODISC**

No readable disc has been loaded.

### **OPEN**

Open the tray.

### **- - - :- -**

The unit is reading the disc.

### **P.\*\***

Program number

### **UN FIN**

Unfinalize the CD-RW disc.

## Error Messages

### **D FULL, OPFULL**

There is no space on the disc, or no more tracks are available.

### **D DISC**

Discs designed for computer systems cannot be used for recording. Use the discs bearing "DIGITAL AUDIO" mark.

### **P-FULL**

32 tracks have been programmed. No more tracks can be programmed.

### **Err \*\***

An error occurred within the unit.  
Press the POWER switch to turn the unit off, wait a minute, and turn it on again.

### **Err 03**

Something is wrong with the disc.  
Turn the unit off and on, and change the disc.

(\*\* is variable.)

## Specifications

### Amplifier Section

Output power . . . . . 3.5 W + 3.5 W  
Frequency response . . . . . 60 Hz to 20 kHz  
Audio input sensitivity/Impedance . . . . . AUX: -6dBV(0.5V)/20k $\Omega$   
Maximum iutput level . . . . . AUX:+6dBV(2.0V)

### CD Recorder Section

Media type . . . . . CD-RW and CD-R for Digital audio  
(record and playback), CD (playback only)  
Recording sampling frequency . . . . . 44.1kHz  
Frequency response . . . . . 20Hz-20kHz  
(playback:±2dB, recording:±3dB)  
Signal to noise ratio . . . . . More than 90dB(playback)  
More than 80dB(recording)  
Total harmonic distortion . . . . . Less than 0.05%(playback)  
Less than 0.07%(recording)

### Tuner Section

Frequency range(FM) . . . . . 87.50 MHz to 108.00 MHz  
Frequency range(AM) . . . . . 530 kHz to 1710 kHz

### Record Player Section

Motor . . . . . DC servo motor  
Drive system . . . . . Belt Drive  
Speed . . . . . 33-1/3 rpm, 45 rpm, 78 rpm  
Wow and Flutter . . . . . less than 0.35%(WDT)  
Cartridge type . . . . . Ceramic Stereo Cartridge  
Stylus . . . . . STL-153  
Output level . . . . . 158 - 348mV

### Speaker System Section

Unit . . . . . 70 mm (3")  
Impedance . . . . . 4 ohms

### GENERAL

Power requirements . . . . . 120V, 60Hz  
Power consumption . . . . . 55 W

Dimensions ( W x H x D ) . . . . . 480 x 230 x 380 mm  
(18-7/8" x 9-1/16" x 14-15/16")

Weight . . . . . 10.5 kg (23-1/8 lb)

### Standard Accessories

Owner's manual x 1  
Warranty card x 1  
45 RPM adaptor x 1  
Remote control unit (RC-992) x 1  
Battery (AA, R6, SUM-3) x 2

- Design and specifications are subject to change without notice.
- Weight and dimensions are approximate.
- Illustrations may differ slightly from production models.

**Nous vous remercions pour l'achat d'un appareil TEAC. Lire ce manuel avec attention pour obtenir les meilleures performances possibles de cet appareil.**

Sommaire . . . . .	26
Avant l'utilisation . . . . .	26
Manutention des disques . . . . .	27
Disques . . . . .	28
Boîtier de télécommande . . . . .	29
Raccordements . . . . .	30
Nomenclatures des controles (table tournante) . . . . .	31
Nomenclatures des controles . . . . .	32
Opération de base . . . . .	34
Écoute de la radio . . . . .	34
Écoute de disque . . . . .	35
Écoute de CD . . . . .	37
Affichage du temps . . . . .	38
Lecture répétée . . . . .	39
Lecture aléatoire . . . . .	39
Lecture Programmée . . . . .	40
Avant d'enregistrer . . . . .	41
Enregistrement . . . . .	42
Finalisation . . . . .	44
Effacement ou dé-finalisation d'un CD-RW . . . . .	45
Dépannage . . . . .	46
Messages . . . . .	47
Spécifications . . . . .	47

### AVERTISSEMENT

Ne pas exposer cet appareil à tout liquide. Tenir loin tout objets contenant des liquides tel que vases, verres d'eau, plantes etc... du dessus de l'appareil.

Ne pas installer cet appareil dans un endroit contraint tel que bibliothèque ou endroit semblable.

### Lire ce qui suit avant d'utiliser l'appareil

- La température nominale doit être comprise 5°C et 35°C (41°F et 95°F). Le graveur/lecteur de disques compacts est plus sensible aux températures extrêmes que les lecteurs de disques compacts ordinaires.
- Le taux d'humidité relative doit être compris entre 30 et 90° sans condensation.
- Il est possible que l'appareil devient chaud durant l'utilisation, toujours laisser un espace suffisant autour de l'appareil pour la ventilation.
- La tension d'alimentation doit correspondre à la tension imprimée sur le panneau arrière, si vous avez des doutes concernant l'alimentation de l'appareil consultez un électricien.
- Choisir l'emplacement de l'appareil soigneusement. Évitez de l'exposer directement aux rayons solaires ou près d'une source de chaleur. Évitez aussi des endroits sujet aux vibrations poussière excessive, chaleur, froid et humidité.
- Ne pas installer l'appareil au dessus d'un amplificateur/récepteur ou n'importe quel appareil électronique générant de la chaleur.
- Ne pas ouvrir le boîtier scellé çela peut endommager le circuit ou causer un choc électrique. Si un objet pénètre l'appareil consultez votre dépositaire Teac ou agence de service.
- Quand vous débranchez l'appareil, toujours tirez la prise, jamais le cordon d'alimentation.
- Pour faire en sorte que la tête de lecture laser reste propre, ne jamais la toucher avec les doigts et ne pas oublier de fermer le plateau porte-disque.
- Ne pas essayez de nettoyer l'appareil avec des dissolvants chimiques, çela peut endommager le fini. Utilisez un chiffon propre et sec.
- Conservez ce livret dans un endroit sûr pour référence future.

### NE PAS DÉPLACER L'APPAREIL DURANT LA LECTURE

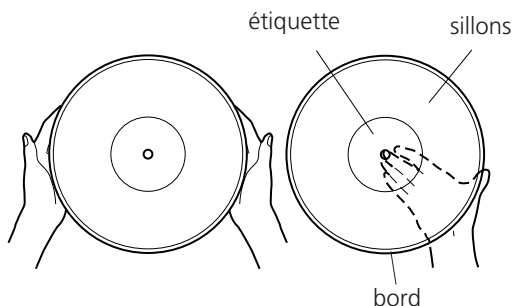
Ne PAS soulever ou déplacer l'appareil durant la lecture. Çela peut endommager le disque.

### QUAND VOUS DÉPLACEZ CET L'APPAREIL

Quand vous changez l'endroit où l'appareil est installé ou vous emballez l'appareil pour un déménagement, assurez-vous d'enlever le disque. Le déplacement de cet appareil avec un disque peut l'endommager. Si l'appareil va être emballé et déplacer une grande distance, il est préférable de serrer la visse de verrouillage du transport de la table tournante. Voir page 31 pour des instructions.

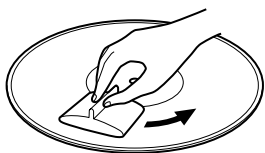
## Manutention des disques

- Ne pas touchez les sillons. Manipulez les disques par leur bords ou l'étiquette seulement, avec des mains propres. Les huiles de la peau, même si les mains sont propres, peuvent laisser un résiduel sur la surface du disque qui va graduellement détériorer la qualité de vos disques.



- Tenir vos disques loin de la poussière. Gardez dans un endroit frais et sec.
- Afin d'éviter la poussière et les égratignures, gardez vos disques dans leurs étuis quand ils ne sont pas utilisés.
- Entrez vos disques debout sur leurs bords. Les disques entreposés horizontalement vont éventuellement pliés et gondolés.
- Ne pas exposez vos disques aux rayons solaires directs ou une humidité et température élevées. Une exposition prolongée à de hautes températures va gondolé le disque.
- Ne pas entreposez vos disques dans la valise de votre voiture. Les températures existantes dans la valise vont ruinées votre collection.
- Entrez vos disques dans un endroit ayant une température et humidité stables.
- Si le disque est sale, essuyez gentillemt sa surface utilisant une motion circulaire, utilisant un chiffon doux anti-statique.

Plusieurs systèmes de nettoyage de disque sont disponibles chez plusieurs marchands et sur ligne. TEAC n'endorse pas aucun produit spécifique mais, dépendement de la condition de la collection de vos disques, çela peut s'avérer être un bon choix. Des disques propres protègent votre aiguille contre l'usure.



## Comment remlacer l'aiguille

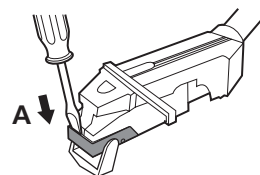
L'aiguille devrait durer environ 50 heures avec un usage normal. Par contre, il est recommandé de remplacer l'aiguille aussitôt que vous remarquez un changement de la qualité sonore. Un usage prolongé d'une aiguille usée peut endommager vos disques. L'usure est accélérée quand vous jouez des disques 78 RPM. L'augmentation de vitesse accélère l'usure.

### Avertissement:

- Ne pas enlever ou plier l'aiguille.
- Pour éviter des blessures, ne pas toucher l'aiguille.
- Éteindre l'appareil avant de remplacer l'aiguille.
- Tenir loin des enfants.
- Manipuler avec soin, car l'aiguille est délicate. L'utilisation d'une aiguille pliée ou brisée peut endommager le disque et engendrer un mauvais fonctionnement.
- Ne pas exposer l'aiguille à une chaleur élevée.
- Contactez une station de service qualifiée si vous avez de la difficulté à remplacer l'aiguille.

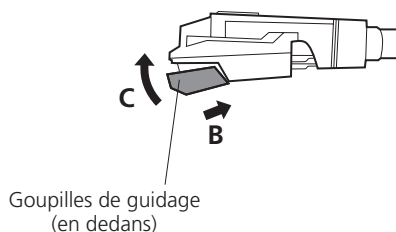
### Enlèvement de l'aiguille

1. Placer un tournevisse au bout de l'aiguille et pousser vers le bas dans la direction "A".
2. Retirez l'aiguille en le tirant vers vous et le bas.



### Installation d'une nouvelle aiguille

1. Tenir le bout de l'aiguille et insérer l'autre section dans la direction "B".
2. Poussez vers le haut dans la direction "C" jusqu'à temps que le bout enclenche.



L'aiguille de remplacement pour ce GF-350 est STL-153. Veuillez contacter Teac Canada, département des pièces au (905) 890-8008, poste 118 pour commander. Vous pouvez aussi obtenir le nom d'une station de service qui peut remplacer l'aiguille pour vous au même numéro.

Utiliser toujours des disques CD, CD-R et CD-RW portant la mention "DIGITAL AUDIO".



Cet appareil **NE PEUT PAS ENREGISTRER** les disques CD-R et CD-RW conçus pour les systèmes informatiques.



Bien que dans ce manuel, il soit fait référence aux disques "CD-R" et "CD-RW", il s'agit toujours de disques "CD-R Digital Audio" et "CD-RW Digital Audio", même lorsque ceci n'est pas explicitement précisé.

- Les disques CD-R et CD-RW conçus pour les systèmes informatiques et correctement enregistrés par un ordinateur peuvent être lus, mais cet appareil ne peut pas les enregistrer, les finaliser ni les effacer.
- Selon la qualité du disque et/ou la qualité de l'enregistrement, certains disques CD-R/CD-RW risquent de ne pas pouvoir être lus.
- Les disques protégés contre la reproduction, ainsi que les disques non-conformes à la norme CD risquent de ne pas pouvoir être lus correctement par ce lecteur. Nous déclinons toute responsabilité en cas de dommages provoqués par la lecture de disques de ce type et pour la qualité sonore résultante. Si vous rencontrez des difficultés avec des disques non conformes, contactez directement les producteurs du disque.
- Placer toujours le disque sur le plateau, la face imprimée sur le dessus (les disques compacts ne sont enregistrés que sur une seule face.)
- Pour sortir un disque de son emballage, appuyer sur la partie centrale de l'étui et sortir le disque en veillant à bien le tenir par les bords.



Comment sortir un disque de son emballage



Comment tenir le disque.



- Si la surface du disque est sale, l'essuyer soigneusement à l'aide d'un chiffon doux et sec:

- Ne jamais utiliser de produits chimiques, tels que des sprays, des liquides antistatiques, de l'essence ou des diluants pour nettoyer les disques. Ces produits chimiques risquent de provoquer des dégâts irréparables sur la surface en plastique du disque.

- Ranger les disques dans leur étui après utilisation afin d'éviter de les rayer ou que de la poussière ne se dépose, ceci pouvant compromettre la lecture par la tête laser

- Ne pas exposer les disques à la lumière directe du soleil, à une température élevée ou à une humidité excessive pendant une période prolongée. De telles expositions risquent de provoquer une déformation du disque.

- Les disques CD-R et CD-RW sont plus sensibles aux effets de la chaleur et aux rayons ultraviolets que les disques compacts ordinaires. Il est donc particulièrement important de les ranger dans un endroit à l'abri de la lumière directe du soleil et de toute source de chaleur, telle que des radiateurs ou des appareils électriques, susceptibles de dégager de la chaleur.

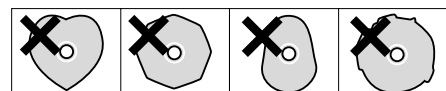
- Il est déconseillé d'utiliser des disques CD-R et CD-RW inscriptibles, la face portant l'étiquette risquant d'être collante et d'endommager l'appareil.

- Ne jamais coller d'étiquette ou de feuille de protection sur le disque; ne pas utiliser de spray destiné à déposer sur le disque une couche de protection.

- Utiliser, pour écrire des informations sur la face portant l'étiquette, un feutre utilisant une encre à base d'huile. Ne jamais utiliser de stylo bille ou de stylo à pointe dure, qui risquerait d'abîmer la surface enregistrée du disque.

- Ne jamais utiliser de stabilisateurs. L'utilisation, avec cet appareil, de stabilisateurs pour CD disponibles dans le commerce, pourrait endommager les mécanismes de l'appareil et provoquer son dysfonctionnement.

- Ne pas utiliser de CD ayant une forme irrégulière (octogonale, en forme de coeur, etc.), ceux-ci risquant d'endommager l'appareil:



- En cas de doute quant à la manipulation des CD-R ou CD-RW, lire les instructions fournies avec le disque ou contacter directement le fabricant du disque.

## Remarques concernant les disques compacts CD-R et CD-RW

Les disques CD-R ne permettent qu'un seul enregistrement. Lorsqu'ils ont été utilisés pour un enregistrement, ils ne peuvent plus être effacés ou ré-utilisés pour un autre enregistrement. Cependant, s'il reste de la place sur le disque, il est possible d'enregistrer sur cet espace disponible.

Un disque CD-RW s'utilise de la même façon qu'un disque CD-R, à ceci près que la ou les dernière(s) pistes enregistrées peuvent être effacées et l'espace ainsi libéré sur le disque peut être ré-utilisé pour d'autres enregistrements.

Il convient toutefois de noter qu'un disque compact audio créé à partir d'un disque CD-RW risque de ne pas fonctionner correctement sur tous les lecteurs de disques compacts audio. Par contre, un CD-R fonctionnera correctement sur la majorité des lecteurs de disques compacts.

## Finalisation

Bien qu'il soit possible d'enregistrer des données audio sur un CD-R ou un CD-RW, un lecteur de disque compact standard ne pourra pas lire ce type de disque tant que vous n'aurez pas créé une table des matières finalisée au début du disque.

Ce processus, qui consiste à créer la table des matières s'appelle la finalisation. Une fois cette table créée, il n'est plus possible d'enregistrer d'autres données sur le disque.

Il convient de noter que dans le cas d'un CD-RW, après avoir été finalisé, celui-ci peut être "définalisé". Ceci permet d'enregistrer d'autres titres, sous réserve, toutefois qu'il reste de la place sur le disque.

- La lecture répétée, la lecture aléatoire et la lecture programmée ne fonctionnent pas avec les disques non-finalisés (sans table des matières).

## Disques enregistrables

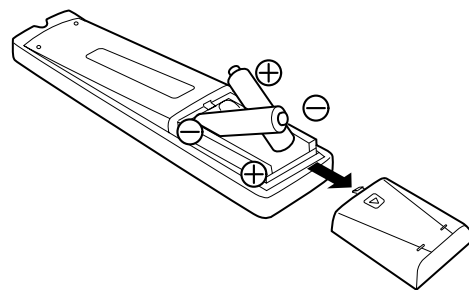
Le terme "disque enregistrable" tel qu'utilisé dans ce manuel, désigne un CD-R ou un CD-RW non finalisé, sur lequel il reste suffisamment de place pour enregistrer un autre morceau.

## Boîtier de télécommande

Le boîtier de télécommande fourni permet la commande à distance de l'appareil. Pour l'utilisation du boîtier de télécommande, le diriger vers le détecteur de télécommande du panneau avant de l'appareil.

- Même si le boîtier de télécommande est activé dans la zone de fonctionnement, la commande à distance peut être impossible s'il y a des obstacles entre le lecteur et le boîtier de télécommande.
- Si le boîtier de télécommande fonctionne dans le voisinage d'autres appareils générant des rayons infrarouges, ou si d'autres télécommandes utilisant des rayons infrarouges sont utilisées près du lecteur, le lecteur peut ne pas bien fonctionner. Dans la situation inverse, les autres appareils peuvent ne pas bien fonctionner.

## Mise en place des piles



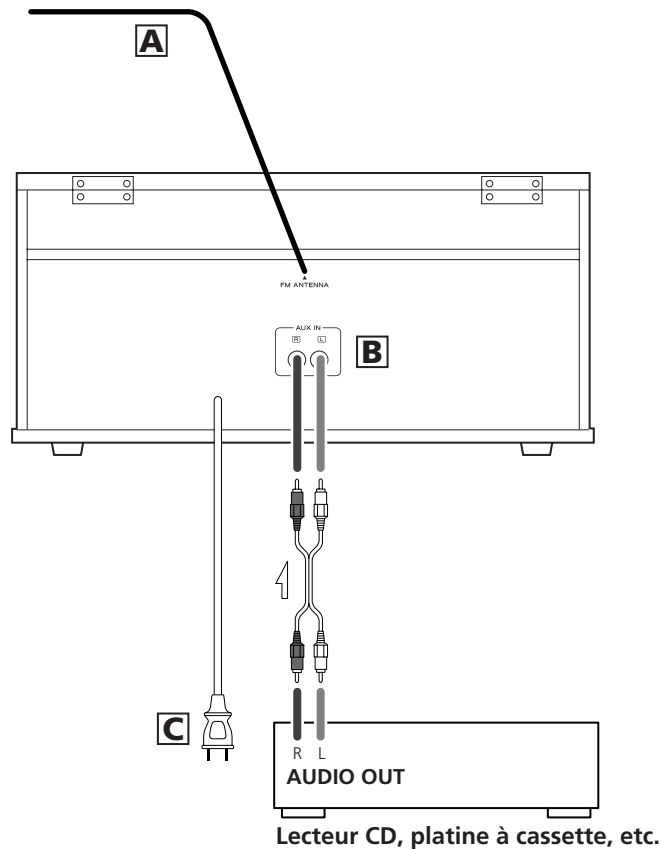
- 1 Retirer le couvercle du compartiment des piles.
- 2 Introduire deux piles "AA" (R6, SUM-3). S'assurer que les piles sont correctement mises en respectant les polarités plus ⊕ et moins ⊖.
- 3 Fermer le couvercle jusqu'au déclic.

## Remplacement des piles

Si vous remarquez que la distance entre le boîtier de télécommande et le lecteur devient plus courte pour un fonctionnement correct, ceci indique que les piles sont usées. Dans ce cas, remplacer les piles par des nouvelles.

## Précautions à observer concernant les piles

- Bien placer les piles en respectant les polarités plus ⊕ et moins ⊖.
- Utiliser des piles du même type. Ne jamais essayer d'utiliser des types de pile différents ensemble.
- Des piles ou des batteries peuvent être utilisées. Se référer à leurs étiquettes pour les précautions à respecter.
- Si le boîtier de télécommande n'est pas utilisé pendant une longue période (plus d'un mois), retirer les piles du boîtier de télécommande pour éviter des fuites de pile. Si elles coulent, essuyer le liquide dans le compartiment des piles et remplacer les piles par des neuves.
- Ne pas chauffer, démonter les piles ni les mettre au feu.



## PRÉCAUTION:

- Coupez l'alimentation de tous les appareils avant d'effectuer les raccordements.
- Lisez les instructions qui accompagnent chaque appareil que vous avez l'intention d'utiliser en association avec cet appareil-ci.
- Veillez à ce que chaque fiche soit soigneusement insérée. Pour éviter les ronflements et les bruits parasites, évitez d'attacher les câbles d'interconnexion parcourus par les signaux avec le cordon d'alimentation secteur ou les câbles de liaison aux enceintes.

## **A** Antenne FM

En mode FM, syntonisez un poste FM et étendez l'antenne pour trouver la meilleure position pour une bonne réception. Il peut être nécessaire de re-positionner l'antenne si vous transportez l'appareil à un autre endroit.

## **B** AUX IN jacks

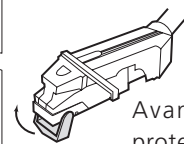
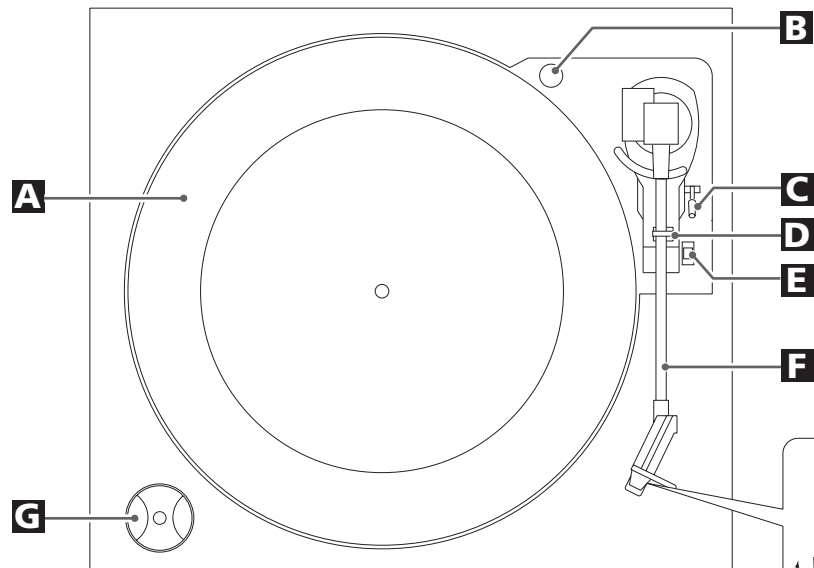
Vous pouvez brancher un lecteur CD, magnétophone à cassette etc... à cet appareil.

Branchez le composant utilisant des cordons RCA. Assurez-vous de brancher la prise blanche avec le connecteur blanc (Gauche) et la prise rouge avec le connecteur rouge (Droit).

## **D** Cordon d'alimentation

Branchez ce cordon d'alimentation dans une prise de courant CA.

## Nomenclatures des controles (table tournante)

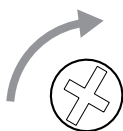


Avant l'utilisation, tirez le protecteur de l'aiguille (couvercle plastique grisâtre mat) vers le haut.

### **A** table tournante

### **B** Visse tenant en place la table tournante pour le transport

Avant l'utilisation, déserrer la visse en la tournant vers la droite avec une pièce de monnaie ou tournevisse.



Quand vous transportez l'appareil, tournez la visse vers la gauche pour tenir en place la table tournante.

### **C** levier de repérage

Utilisez ce levier pour soulever le bras

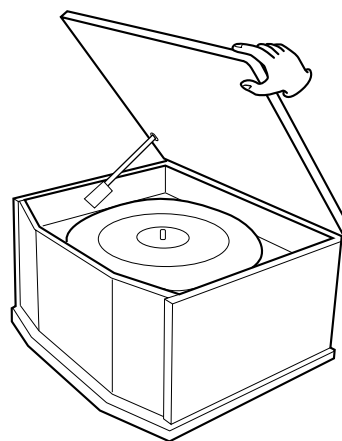
### **D** appui

### **E** sélecteur de vitesse

### **F** bras

### **G** adaptateur 45 RPM

## Comment ouvrir/fermer le couvercle de la platine



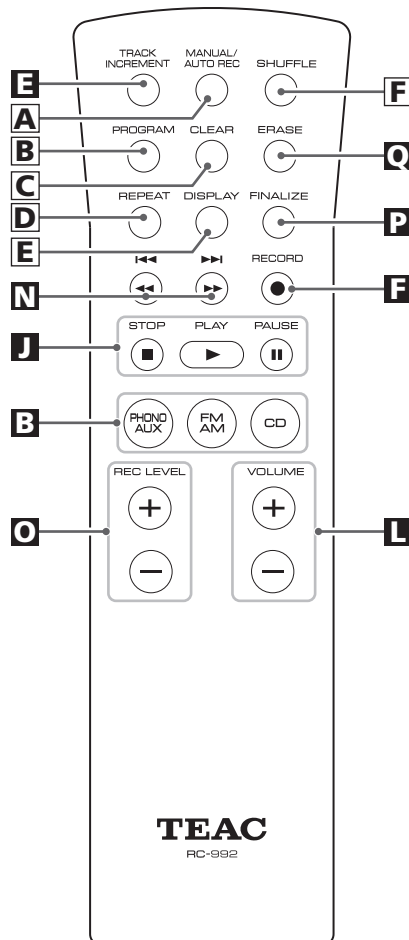
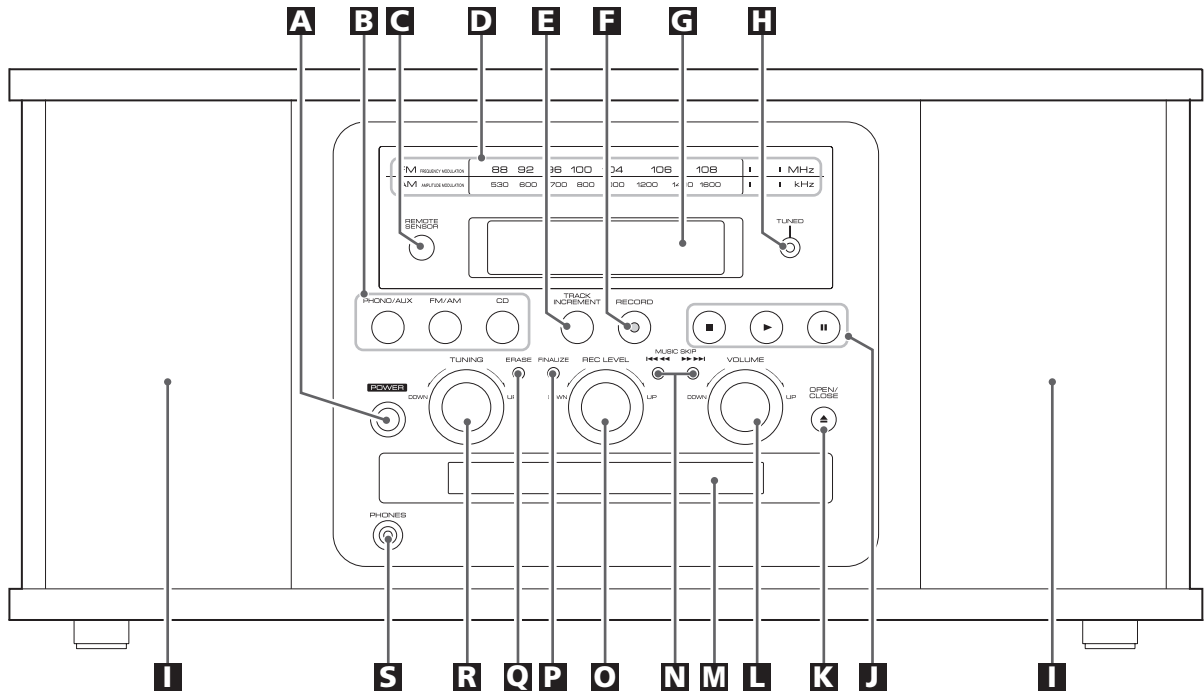
### Pour ouvrir:

1. Soulevez le couvercle de la platine jusqu'à temps qu'il s'arrête.
2. Le verrou devrait se désengager et vous pouvez maintenant doucement abaissez le couvercle.
3. Assurez-vous de tenir le couvercle par les bords afin d'éviter de coincer vos doigts durant la fermeture.

### Pour fermer:

1. Soulevez le couvercle jusqu'à temps qu'il s'arrête.
2. Le verrou se désengage et vous pouvez maintenant abaisser doucement le couvercle.
3. Assurez-vous de tenir le couvercle par les bords afin d'éviter de coincer vos doigts quand il se ferme.

# Nomenclatures des controles





## **A** POWER

Appuyer sur cette touche pour mettre l'appareil sous ou hors tension.

Tant que cet appareil est branché sur une prise c.a., il consomme un petit courant électrique (non opérationnel) même si son interrupteur POWER se trouve relâché.

## **B** PHONO/AUX, FM/AM, CD

Pour lire un disque vinyle, appuyer sur la touche PHONO/AUX et sélectionner PHONO.

Pour écouter la source externe connectée aux prises AUX IN, appuyer sur la touche PHONO/AUX et sélectionner AUX.

Pour écouter la radio, appuyer sur la touche FM/AM.

Pour lire un CD, appuyer sur la touche CD.

## **C** Capteur de télécommande

Quand on utilise la télécommande, l'orienter vers le capteur REMOTE SENSOR.

## **D** Panneau d'affichage (fréquence)

Quand l'appareil est sous tension, cet affichage est allumé.

## **E** TRACK INCREMENT

Pendant l'enregistrement, utiliser cette touche pour créer des morceaux.

## **F** RECORD

Utiliser cette touche pour passer au mode pause d'enregistrement.

## **G** Affichage

## **H** Indicateur TUNED

S'allume quand l'appareil est correctement accordé sur une station.

## **I** Enceintes (stéréo)

## **J** Touches de commande de CD

### **STOP** (■)

Utiliser cette touche pour arrêter la lecture ou l'enregistrement.

### **PLAY** (▶)

Utiliser cette touche pour démarrer la lecture, l'enregistrement, la finalisation et l'effacement.

### **PAUSE** (⏸)

Utiliser cette touche pour mettre la lecture ou l'enregistrement en pause.

## **K** OPEN/CLOSE

En mode CD ou PHONO/AUX, utiliser cette touche pour ouvrir et fermer le plateau porte-disque.

- En mode FM/AM, cette touche ne fonctionne pas.

## **L** VOLUME

Pour régler le volume, tourner ce bouton.

## **M** Plateau porte-disque

## **N** MUSIC SKIP (◀◀ / ▶▶)

En mode CD, utiliser ces touches pour sauter des morceaux.

Pour rechercher une partie d'un morceau, tenir ces touches enfoncées.

## **O** REC LEVEL

En mode pause d'enregistrement, utiliser ce bouton pour régler le niveau d'enregistrement.

## **P** FINALIZE

Pour finaliser un disque CD-R/CD-RW, utiliser cette touche.

## **Q** ERASE

Pour effacer ou définaliser un disque CD-RW, utiliser cette touche.

## **R** TUNING

En mode FM/AM, tourner ce bouton pour accorder l'appareil sur une station.

## **S** PHONES

Pour une écoute privée, commencer par régler le volume au minimum. Insérer alors la fiche du casque d'écoute dans la prise PHONES, puis régler le volume en tournant le bouton VOLUME. Quand un casque d'écoute est branché, le son des enceintes est coupé.

## **A** MANUAL/AUTO REC

Utiliser cette touche pour sélectionner le mode d'affectation de numéro de morceau.

## **B** PROGRAM

En mode CD, utiliser cette touche pour programmer des morceaux.

## **C** CLEAR

En mode CD, utiliser cette touche pour effacer des morceaux programmés.

## **D** REPEAT

En mode CD, utiliser cette touche pour sélectionner un mode de répétition de CD.

## **E** DISPLAY

En mode CD, utiliser cette touche pour changer l'affichage.

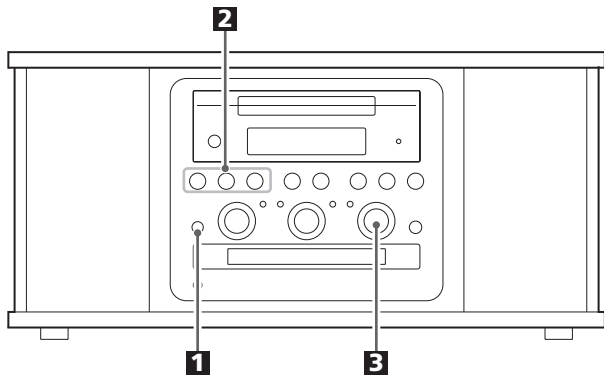
## **F** SHUFFLE

En mode CD, utiliser cette touche pour commander la lecture aléatoire.

## Remarque :

Pour simplifier l'explication, les consignes se réfèrent aux noms des touches et des commandes situées sur le panneau avant sans faire état de la télécommande.

## Opération de base



**1** Appuyez sur la touche POWER pour allumer l'appareil.

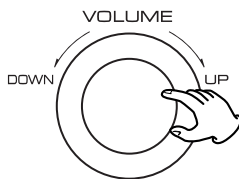


**2** Choisir une source en appuyant sur la touche correspondante.

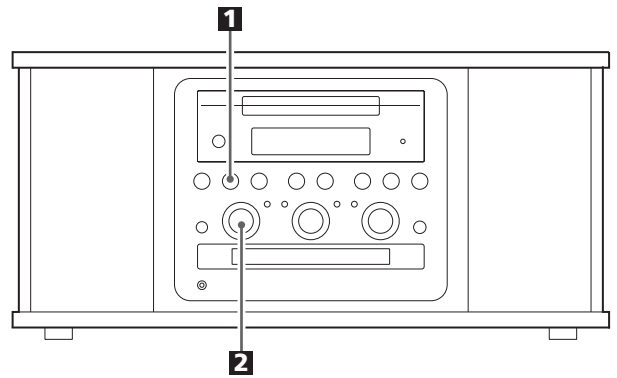


- Pour écouter une source externe branchée aux prises AUX, appuyez sur la touche PHONO/AUX une ou deux fois.

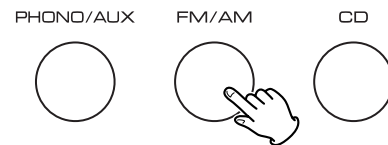
**3** Jouez la source et réglez le volume en tournant le bouton du VOLUME.



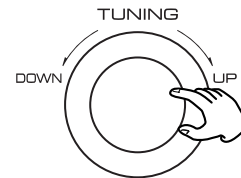
## Écoute de la radio



**1** Choisir AM ou FM en appuyant sur la touche FM/AM.



**2** Tournez le bouton TUNING (SYNTONISATION) pour syntoniser un poste.



- l'indication "TUNED" s'allume lorsqu'une station est correctement réglée.
- l'indication "STEREO" s'allume lorsqu'une diffusion stéréo FM est syntonisée.

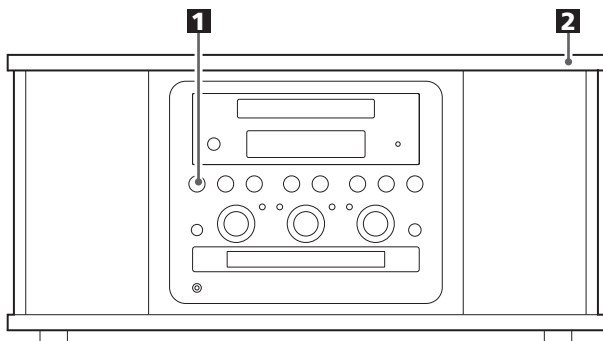
### Si la réception est mauvaise

#### Transmission AM

Tournez l'appareil pour trouver la position vous donnant la meilleure réception pour les postes AM

#### Transmission FM

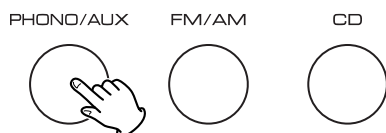
Étendre et tourner l'antenne FM afin d'obtenir une bonne réception des postes.



Avant l'utilisation, desserrer complètement la visse de transport en la tournant vers la droite utilisant une pièce de monnaie.

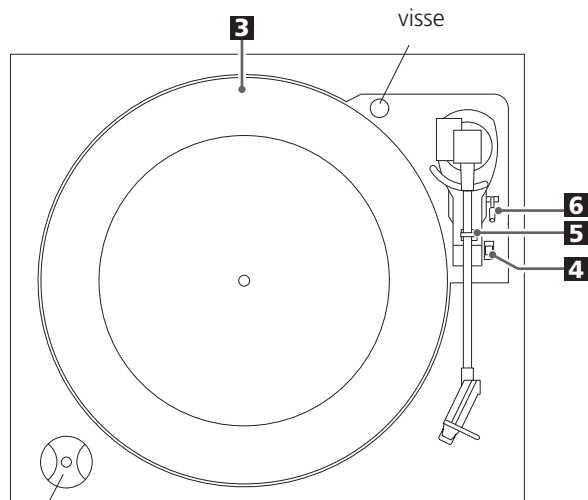
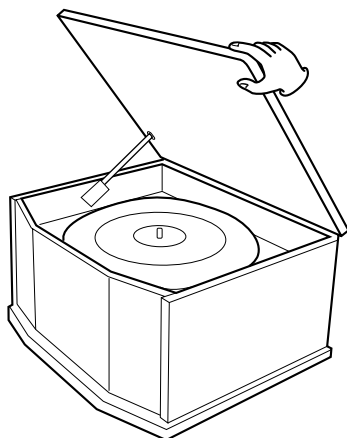
Tirez le protecteur de l'aiguille (couverture plastique grisâtre mat) vers le haut.

**1** Appuyez sur la touche PHONO/AUX une ou deux fois pour choisir "PHONO".



**2** Doucement soulever le couvercle.

Prendre soin de ne pas coincer vos doigts.

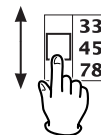


adaptateur 45 RPM

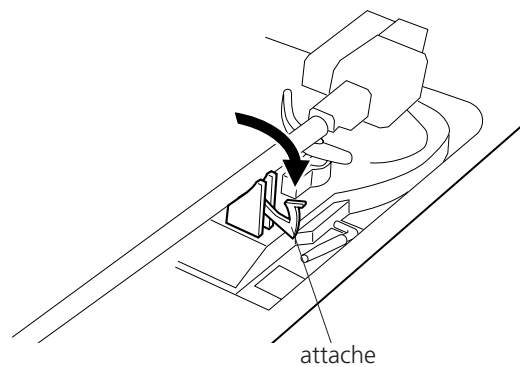
**3** Déposez le disque sur la table tournante.

Pour la lecture d'un disque 45 RPM, utilisez l'adaptateur fourni.

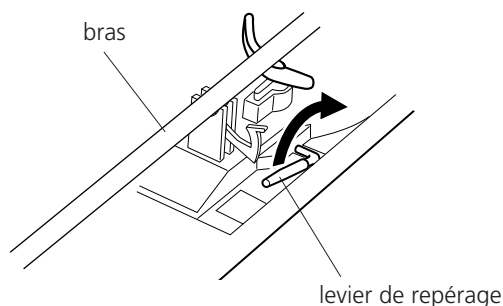
**4** Choisir la vitesse.

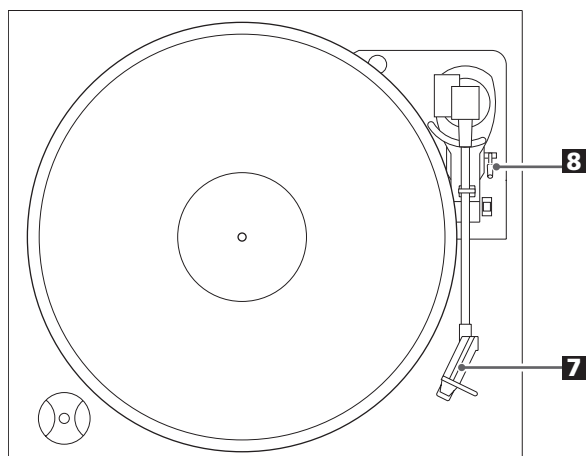


**5** Doucement poussez l'attache vers la droite pour relâcher le bras.



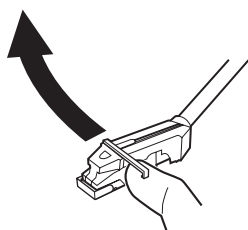
**6** Soulever le levier de repérage pour soulever le bras de son appui.





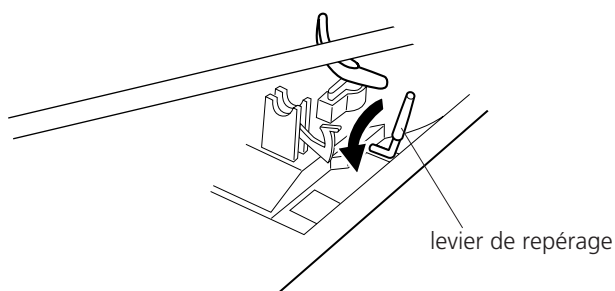
**7** Doucement déplacer le bras vers le bord du disque (ou le point de départ d'une piste).

La table tournante commence à tourner.



**8** Doucement abaisser le bras en relâchant doucement le levier de re-pérage.

Vous pouvez abaisser le bras manuellement si le levier de repérage n'a pas été utilisé.

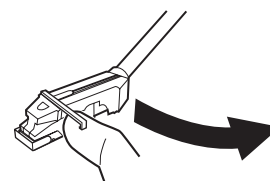
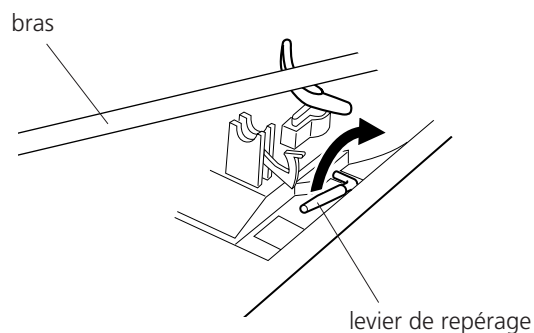


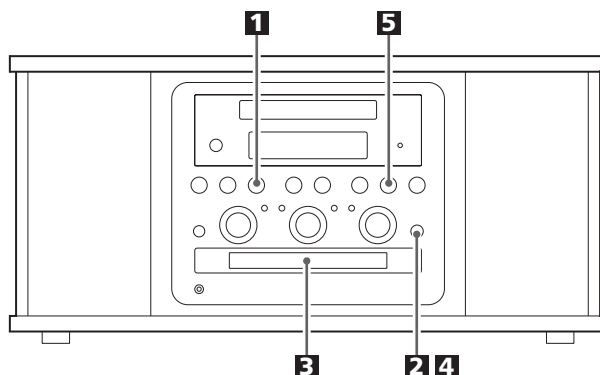
- Tenant le couvercle baissé durant l'écoute de disque empêche la poussière de se déposer sur la table tournante.

**S'il vous plaît ne jamais déposer aucun objet sur le dessus du couvercle de la platine, surtout si vous jouez un disque.**

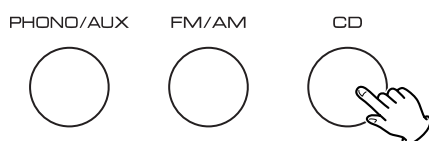
Quand la lecture est terminée, le bras revient automatiquement sur son appui et la table tournante s'arrête.

Pour arrêter la lecture manuellement, soulever légèrement le bras en le tenant par le levier de repérage et le remettre sur son appui.





## 1 Appuyez sur la touche CD pour choisir "CD".

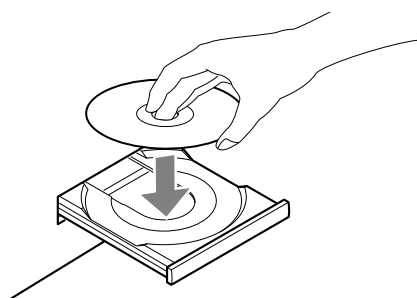


"--" est affiché brièvement.  
Si il n'y a pas de disque, "nOdISC" est affiché.

## 2 Appuyez sur la touche OPEN/CLOSE (▲).



## 3 Placez un disque sur le tiroir, face imprimée vers le haut.

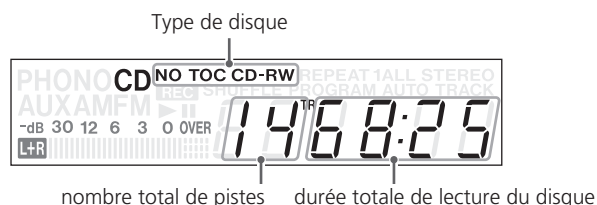


- Ne mettez jamais plus d'un disque sur le tiroir.
- Le disque doit être centré dans le tiroir. Si le disque n'est pas correctement positionné, le tiroir risque de ne pas pouvoir s'ouvrir après s'être refermé, aussi devez vous vous assurer que le disque est bien placé au centre dans le tiroir.
- Ne forcez pas le tiroir au cours des manoeuvres d'ouverture et de fermeture.

## 4 Appuyez sur la touche OPEN/CLOSE (▲) pour fermer le tiroir.



- Ça prend quelque secondes pour que l'appareil lit le disque. Aucune touche fonctionne durant le chargement. Attendre jusqu'à temps que le nombre total de pistes ainsi que la durée totale de lecture du disque sont affichés.



- "Type de disque" indique le type de disque chargé.

- CD:**  
Un CD commercial pré-enregistré
- CD-R:**  
Un CD-R finalisé
- CD-RW:**  
Un CD-RW finalisé
- NO TOC CD-R:**  
Un CD-R qui n'a pas été finalisé
- NO TOC CD-RW:**  
Un CD-RW qui n'a pas été finalisé
- Aucune mention:**  
Aucun disque ou disque endommagé

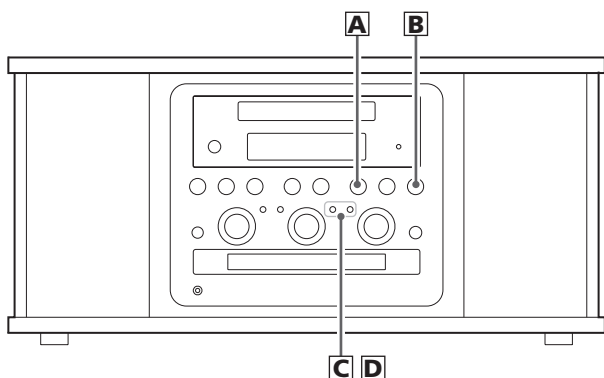
## 5 Appuyez sur la touche PLAY (▶) pour engendrer la lecture.



La lecture du disque commence au premier morceau et l'afficheur ▶ s'allumme.

- Si vous mettez un disque, puis pressez le bouton PLAY sans avoir d'abord refermé le tiroir, celui-ci se referme et la lecture commence.

## Écoute de CD 2



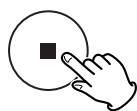
### A Pour suspendre la lecture momentanément (mode pause)



Appuyez sur la touche PAUSE (||) en lecture. La lecture s'arrête à la position actuelle.

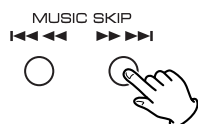
Pour reprendre la lecture, appuyez sur la touche PLAY (▶) ou la touche PAUSE (||).

### B Pour arrêter la lecture



Appuyez sur la touche STOP (■) pour arrêter la lecture.

### C Pour sauter au morceau suivant ou précédent

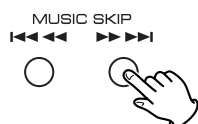


En lecture, pressez la touche MUSIC SKIP (◀◀ ou ▶▶) plusieurs fois jusqu'à ce que le morceau désiré soit atteint. Le morceau sélectionné sera joué à partir du début.

En mode STOP, pressez la touche MUSIC SKIP (◀◀ ou ▶▶) plusieurs fois et relâchez-le lorsque le morceau que vous voulez écouter est trouvé. Pressez sur PLAY (▶) pour démarrer la lecture du morceau désiré.

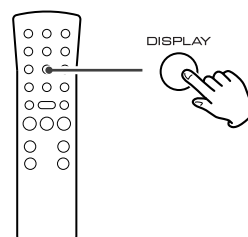
- Quand la touche ◀◀ est pressé en lecture, le morceau en cours reprendra à partir du début. Pour retourner au début du morceau précédent pressez la touche ◀◀ deux fois.

### D Recherche d'une partie d'un morceau



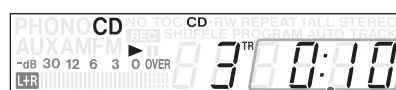
En lecture, maintenez la touche MUSIC SKIP (◀◀ ou ▶▶) enfoncé et relâchez le lorsque la partie que vous voulez est trouvée.

## Affichage du temps

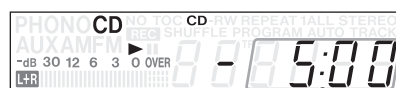


Chaque fois que la touche DISPLAY est pressé en lecture, l'affichage change comme suit:

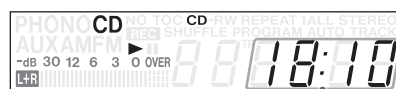
### Lecture CD/CD-R/CD-RW



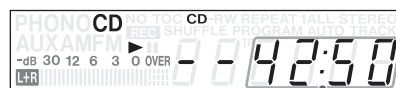
Temps écoulé de la page en cours



Temps restant de la page en cours



Temps écoulé total (disque)

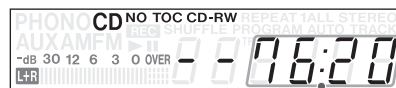


Temps restant total (disque)

### Non-finalisé CD-R/CD-RW (arrêté)

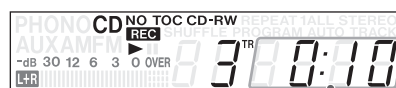


Nombre de pages sur le disque      Durée totale du disque

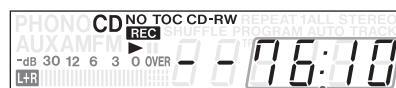


Temps d'enregistrement restant sur le disque

### En mode Enregistrement

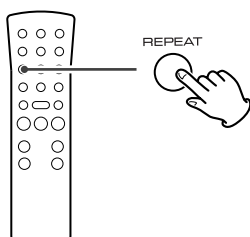


Temps d'enregistrement écoulé de la page en cours

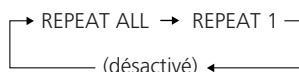


Temps d'enregistrement restant sur le disque

## Lecture répétée



A chaque pression sur la touche REPEAT, le mode répétition change comme suit:



### REPEAT ALL (Répétition de tout le disque)

Appuyez sur la touche REPEAT une fois en lecture. Tous les morceaux du disque seront répétés. En lecture programmée, la liste programmée sera répétée.

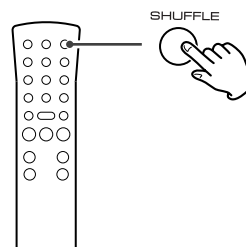
### REPEAT 1 (Répétition du morceau)

Si vous pressez REPEAT deux fois en lecture, le morceau en cours sera répété. Si vous pressez la touche MUSIC SKIP et sélectionnez un autre morceau, le morceau sélectionné sera répété.

Il est aussi possible de sélectionner un morceau à répéter en mode stop. Pressez REPEAT deux fois, sélectionnez un morceau avec la touche MUSIC SKIP, puis pressez sur PLAY pour démarrer la lecture.

- Si l'un des boutons suivants est pressé, le mode répétition sera désactivé:  
OPEN/CLOSE, POWER, FM/AM, PHONO/AUX
- La lecture répétée fonctionne seulement avec les disques finalisés.

## Lecture aléatoire



Les morceaux peuvent être lus dans un ordre aléatoire. Appuyer sur la touche SHUFFLE pendant la lecture. (En mode arrêt, appuyer sur la touche SHUFFLE et sur la touche PLAY.)

Quand la lecture aléatoire de tous les morceaux est terminée, l'appareil s'arrête et le mode lecture aléatoire est annulé.

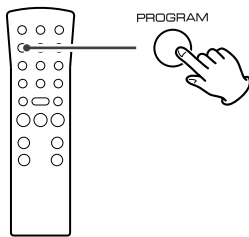
- Si on appuie sur la touche ►► pendant la lecture aléatoire, le morceau suivant est sélectionné aléatoirement et lu. Si on appuie sur la touche ◄◄, le morceau en cours de lecture est lu à partir du début. La lecture répétée d'un morceau pendant la lecture aléatoire est impossible.
- La lecture aléatoire ne fonctionne pas pendant la lecture programmée.
- Si on appuie sur une des touches suivantes, le mode lecture aléatoire est annulé:  
SHUFFLE tandis que l'appareil est à l'arrêt, OPEN/CLOSE, POWER, FM/AM, PHONO/AUX
- La lecture aléatoire fonctionne seulement avec les disques finalisés.

# Lecture Programmée

On peut programmer la lecture d'un maximum de 32 morceaux dans l'ordre souhaité.

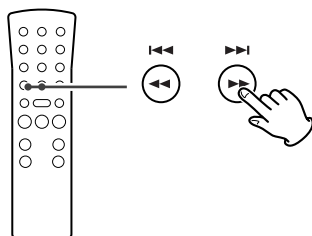
- Mettre un disque compact en place et sélectionner "CD" avant de commencer la programmation.
- Pendant la lecture programmée, la lecture aléatoire est impossible.
- La lecture programmée fonctionne seulement avec les disques finalisés.

## 1 En mode arrêt, appuyez sur la touche PROGRAM.



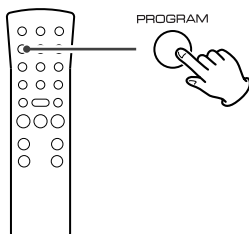
L'indicateur "PROGRAM" clignote et "P-01" apparaît sur l'affichage.

## 2 Appuyez sur une touche MUSIC SKIP (◀◀ ou ▶▶) pour sélectionner un morceau.



numéro de la page

## 3 Appuyez sur la touche PROGRAM.

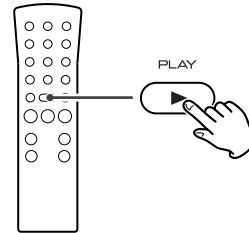


Le morceau est programmé, et "P-02" est affiché.

Pour programmer d'autres morceaux, répéter les étapes 2 et 3.

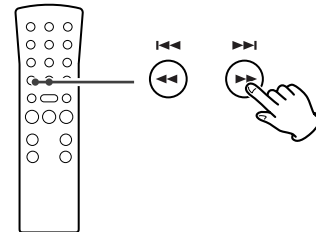
- On peut programmer jusqu'à 32 morceaux.
- Pour annuler le mode programmation, appuyez sur la touche STOP (■).

## 4 Quand la sélection des numéros de morceau est terminée, appuyez sur la touche PLAY (▶) pour démarrer la lecture programmée.



## Pour contrôler l'ordre programmé

En mode arrêt, appuyer sur la touche MUSIC SKIP à plusieurs reprises pour faire apparaître les numéros de morceau qui ont été mémorisés.

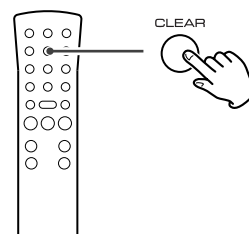


## Pour ajouter un morceau à la fin du programme

En mode arrêt, appuyer sur la touche PROGRAM. Sélectionner un numéro de morceau en appuyant sur une touche MUSIC SKIP, puis appuyer sur la touche PROGRAM. Le morceau est ajouté à la fin du programme.

## Pour supprimer le dernier morceau du programme

En mode arrêt, appuyer sur la touche CLEAR pour supprimer le dernier morceau du programme.



## Pour effacer le programme

Si on appuie sur une des touches suivantes, le programme est effacé:

- OPEN/CLOSE, POWER, FM/AM, PHONO/AUX, STOP tandis que l'appareil est à l'arrêt



**Avant de commencer l'enregistrement assurez-vous que vous comprenez les points suivants:**

- Cet appareil requiert des disques numériques audio CD-R ou CD-RW pour l'enregistrement. Des disques d'ordinateur CD-R ou CD-RW ne fonctionnent pas avec cet appareil.
- Une fois que vous avez enregistré sur un disque CD-R il n'est pas possible d'effacer les données.
- Vous pouvez ajoutés des pistes à un disque enregistrable qui n'est pas finalisé. Une fois finalisé, un disque CD-R devient "fixe" et se comporte comme un disque CD. Par contre les disques CD-RW finalisés, peuvent être dé-finalisé, effacer et ré-enregistrer.
- Due aux restrictions du système des CD, une piste ne peut pas être moins de quatre secondes et le maximum de pistes est 99.
- Si la touche STOP ou PAUSE est appuyée en dedans de quatre secondes du début d'une piste, l'appareil continue à enregistrer aucun signal et s'arrête quand la durée de la piste atteint quatre secondes.
- Quand l'enregistrement est terminé, "REC" et "- - - - -" clignent pour quelque secondes et l'appareil se met en mode stop. Ne pas brasser ou soumettre l'appareil à des vibrations durant l'enregistrement
- Si la fin du disque est atteint durant l'enregistrement, l'appareil va engendra un fondu sonore sur une période de quelque secondes. Quand le fondu est terminé, l'appareil finalise le disque et s'arrête automatiquement.
- Si le disque atteint la fin du 99ième morceau pendant l'enregistrement, l'appareil le finalise automatiquement puis s'arrête.
- La durée de l'enregistrement d'une piste peut variée légèrement de la piste originale.

### **SCMS (Système de gestion de copie en série)**

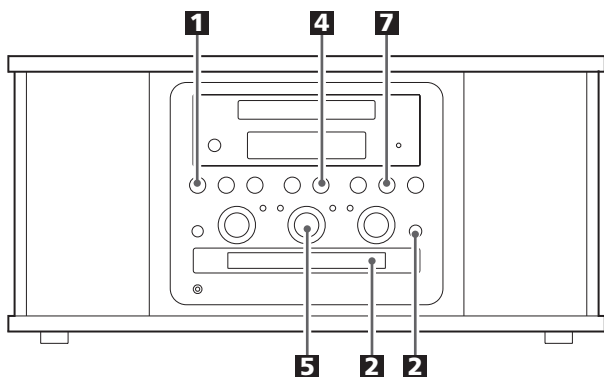
Cet appareil répond à la norme SCMS (Système de Gestion de Copie en série). Cette norme a été élaborée pour restreindre les copies de type numérique - analogique à la première génération uniquement. Les règles de base régissant ce système sont les suivantes:

#### **Règle 1**

Il est possible de réaliser un enregistrement numérique à partir d'une source numérique telle qu'un CD, un support DAT ou un MD sur un support enregistrable de type CD-R, CD-RW, MD ou DAT en raccordant l'appareil via l'entrée numérique. Cependant l'enregistrement depuis une source numérique sur une source numérique est interdit pour la seconde génération et les générations suivantes.

#### **Règle 2**

En cas d'enregistrement numérique d'une source analogique telle qu'un disque analogique ou une source FM à l'aide d'un CD-R, d'un CD-RW, d'un MD ou d'un DAT, cette source peut être enregistrée numériquement sur un autre CD-R, CD-RW, MD ou DAT. Cependant, toute reproduction numérique de cet enregistrement est interdite.



Le son de PHONO ou AUX peut être enregistré par le graveur de CD.

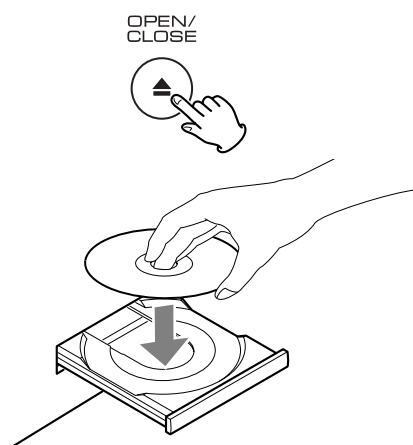
**1** Appuyer une ou deux fois sur la touche PHONO/AUX pour sélectionner la source à enregistrer.



Pour enregistrer à partir d'un disque vinyle, sélectionner PHONO.

Pour enregistrer à partir de la source externe connectée aux prises AUX IN, sélectionner AUX.

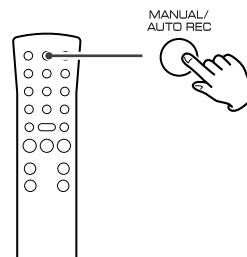
**2** Mettre un CD-R ou CD-RW enregistrable en place dans l'appareil.



Appuyer sur la touche OPEN/CLOSE (▲), poser un disque sur le plateau avec la face imprimée sur le dessus, puis appuyer sur la touche OPEN/CLOSE (▲) pour fermer le plateau.

S'assurer que les indicateurs "NO TOC" et "CD-R" (ou "CD-RW") s'allument sur l'affichage, sinon la touche RECORD ne fonctionnera pas à l'étape **4**.

**3** Avec la touche MANUAL/AUTO REC de la télécommande, sélectionner le mode d'affectation de numéro de morceau.



Quand on appuie une fois sur la touche MANUAL/AUTO REC, le mode courant est affiché. Pour sélectionner tout autre mode, appuyer sur la touche MANUAL/AUTO REC à plusieurs reprises.

-- (MANUAL)

L'appareil ne divise pas les morceaux.

Pour diviser les morceaux, utiliser la touche TRACK INCREMENT.

Pour l'enregistrement d'une source analogique telle qu'un disque vinyle, le mode MANUAL est recommandé.

-20db, -30db ou -40db (AUTO REC)

Quand le niveau du son est inférieur au seuil pendant plus de 2 secondes puis quand le son redépasse ce seuil, l'appareil insère automatiquement une division de morceau.

"-20db" prend un son plus fort pour amorcer l'incréméntation de morceau.

"-40db" signifie qu'un signal relativement faible amorcera l'incréméntation de morceau. "-40db" convient pour l'enregistrement d'une source sans parasite telle qu'un CD.

- AUTO REC risque de ne pas fonctionner correctement avec les sources analogiques qui contiennent des parasites de bas niveau.
- L'indicateur AUTO TRACK s'allume quand -20dB, -30dB ou -40dB est sélectionné.
- Le réglage par défaut est MANUAL (pas de division). Quand on met l'appareil sous tension ou quand on ouvre le plateau porte-disque, le réglage est automatiquement remis sur MANUAL (pas de division).
- La touche MANUAL/AUTO REC ne fonctionne pas pendant l'enregistrement ou pendant le mode pause d'enregistrement.

**4** Appuyer sur la touche RECORD.

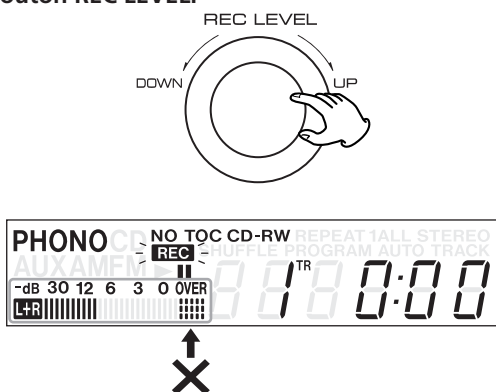


L'indicateur rouge de la touche RECORD s'allume.

Les indicateurs "REC" et **||** s'allument sur l'affichage et l'appareil passe au mode pause d'enregistrement.

- Aucune touche ne fonctionne tant que "busy" est affiché. Attendre, quelques secondes, que "busy" disparaisse de l'affichage.
- Si l'indicateur rouge de la touche RECORD ne s'allume pas, mettre un disque enregistrable en place, attendre, quelques secondes, que les indicateurs "NO TOC" et "CD-R" (ou "CD-RW") s'allument sur l'affichage, et appuyer de nouveau sur la touche RECORD.

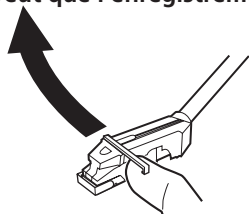
**5** Si nécessaire, régler le niveau d'enregistrement à l'aide du bouton REC LEVEL.



Mettre la source à enregistrer en lecture et régler le niveau d'enregistrement de manière que le son le plus fort ne dépasse pas l'indicateur "OVER" du crête-mètre.

Le niveau peut être réglé de -00 (-∞) dB à 18 dB.

**6** Si PHONO est sélectionné à l'étape 1, baisser doucement le bras sur le bord du disque (ou sur l'endroit où on veut que l'enregistrement commence).



Si la table tournante est arrêtée, les touches PLAY et PAUSE ne fonctionnent pas et on ne peut pas démarrer l'enregistrement.

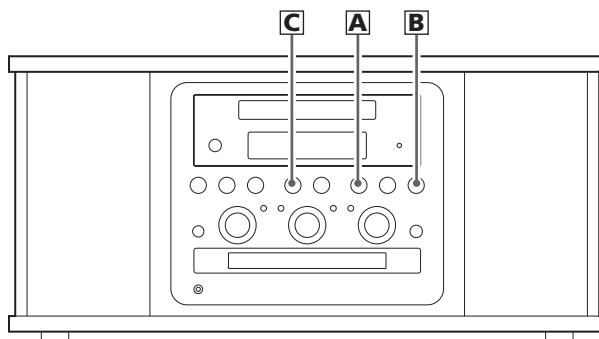
**7** Appuyer sur la touche PLAY ou PAUSE pour démarrer l'enregistrement.



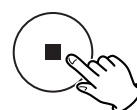
**8** Si AUX est sélectionné à l'étape 1, mettre la source à enregistrer en lecture.

Quand la lecture de la source est terminée, appuyer sur la touche STOP pour arrêter l'enregistrement.

Quand la rotation de la table tournante s'arrête, l'enregistrement s'arrête automatiquement. Toutefois, pour éviter que le bruit de déplacement du bras soit enregistré, arrêter l'enregistrement manuellement à l'aide de la touche STOP.



**A** Pour arrêter l'enregistrement



Pour arrêter l'enregistrement, appuyer sur la touche STOP (■).

**B** Pour interrompre l'enregistrement temporairement (mode pause)



Appuyer sur la touche PAUSE (||). "busy" apparaît un bref instant sur l'affichage, et l'enregistrement est mis en pause. Pour redémarrer l'enregistrement, appuyer sur la touche PLAY (▶) ou sur la touche PAUSE (||).

- Tant que "busy" est affiché, on ne peut pas redémarrer l'enregistrement.
- Ne pas oublier que chaque fois que l'enregistrement est mis en pause ou arrêté, un nouveau numéro de morceau est toujours affecté. Il n'est possible d'enregistrer en deux "passes" dans un morceau.

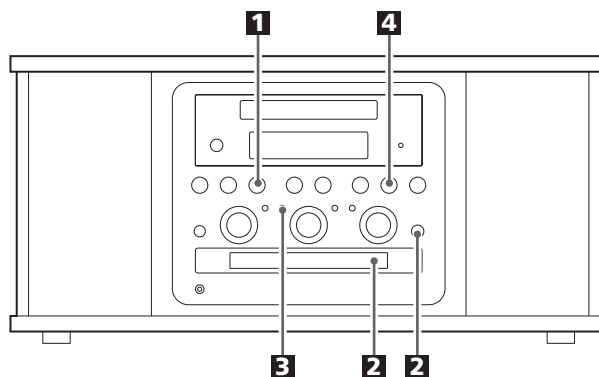
**C** Division manuelle de morceau

Pendant l'enregistrement, on peut le diviser en morceaux. Pendant l'enregistrement, appuyer sur la touche TRACK INCREMENT. Le numéro de morceau courant sera incrémenté d'une unité.



- La touche TRACK INCREMENT fonctionne quel que soit le réglage MANUAL/AUTO REC.

## Finalisation

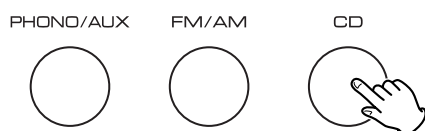


Cette section concerne ce qui suit l'enregistrement. Une fois finalisé, les disques CD-R sont véritablement finalisés. Il n'est plus possible d'ajouter d'autres pistes. Par contre, les disques CD-RW peuvent être "dé-finalisés" et s'il y a de l'espace, du matériel additionnel peut être enregistré.

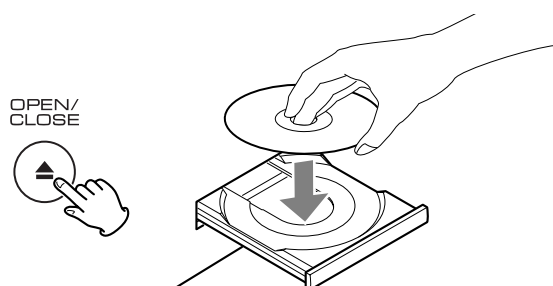
### Finalisation

Tel qu'expliqué précédemment, pour qu'un disque devienne un disque CD normal, il doit avoir une table de contenu (TOC) écrite. Ce processus s'appelle finalisation.

#### 1 Appuyez sur la touche CD pour choisir "CD".



#### 2 Déposer un disque non-finalisé (enregistrable).



#### 3 Appuyez sur la touche FINALIZE en mode arrêt.



"Fin--d" est affiché.

- Pour annuler la finalisation appuyez sur la touche STOP (■).

#### 4 Appuyez sur la touche PLAY (▶) pour commencer la finalisation.



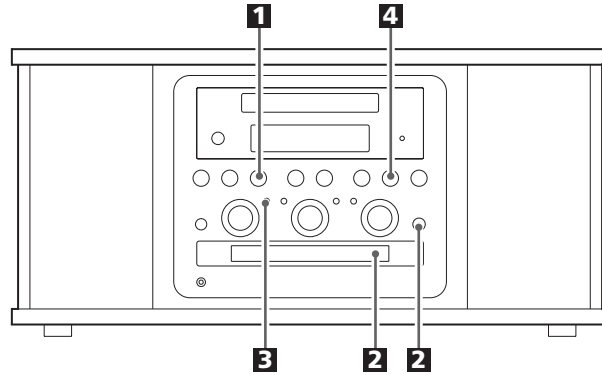
Les indicateurs "NO TOC" et "REC" clignotent et le temps restant pour l'opération de finalisation apparaît sur l'affichage.

Quand l'opération est terminée, l'indicateur "NO TOC" s'éteint et l'affichage repasse à l'indication de morceau/durée.

Durant la finalisation, aucune touche fonctionne. Ne jamais éteindre l'appareil ou le débrancher.

- Malgré que les disques CD-R finalisés peuvent être rejouer sur des lecteurs CD ordinaires, rappelez-vous que les disques CD-RW finalisés habituellement ne joueront pas sur un lecteur CD ordinaire.

# Effacement ou dé-finalisation d'un CD-RW

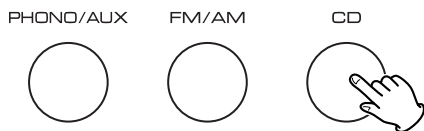


Il est possible d'effacer la dernière piste enregistrée. Il est aussi possible d'effacer le disque entièrement.

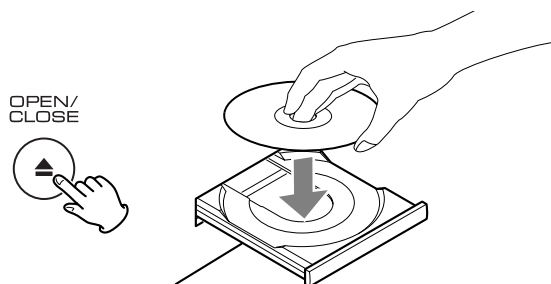
Les procédures d'effacement fonctionnent strictement sur un disque non-finalisé. Si un disque CD-RW est finalisé, dé-finalisé le disque avant l'effacement.

Rappelez-vous qu'il n'est pas possible d'effacer sur un disque CD-R.

## 1 Appuyez sur la touche CD pour choisir "CD".



## 2 Déposer un disque enregistré CD-RW.



## 3 En mode d'arrêt, appuyez sur la touche ERASE.



"Un Fln" (définaliser) apparaît quand un disque finalisé est mis en place.

"Er" et le numéro du dernier morceau apparaissent quand le disque n'a pas été finalisé. A chaque pression sur la touche ERASE, l'affichage change comme suit:

## "Er" et le numéro du dernier morceau enregistré sur le disque

Sélectionner cet élément pour effacer le dernier morceau du disque.

- Cet élément n'apparaît pas quand un seul morceau est enregistré sur le disque.

## ErALL

Sélectionner cet élément pour effacer tous les morceaux.

- Pour annuler l'effacement ou dé-finalisation appuyez sur la touche STOP (■).

## 4 Appuyez sur la touche PLAY (▶) pour commencer l'effacement ou dé-finalisation.



Le temps restant pour l'opération apparaît sur l'affichage. Quand l'opération est terminée, l'affichage repasse à l'indication de morceau/durée.

Durant l'effacement ou dé-finalisation, aucune touche fonctionne. Ne jamais éteindre l'appareil ou le débrancher.

- Cette opération ne peut pas être annuler. Si vous allez effacer des pistes, assurez-vous qu'ils sont des enregistrements que vous voulez vraiment effacer.

En cas d'anomalie de fonctionnement, consultez le tableau qui suit et tentez de résoudre la question qui se pose à vous avant de faire appel au revendeur ou au service d'entretien de TEAC.

## N'allume pas

- Assurez-vous que l'appareil est branché. Assurez-vous que la source d'alimentation n'est pas commuté et si c'est le cas que le commutateur est en marche. Assurez-vous que la prise de courant est alimentée en branchant un autre appareil tel qu'une lampe ou ventilateur.

## Aucun son

- Réglez le volume

## Le son est bruyant

- L'appareil est trop proche d'un téléviseur ou appareil semblable. Éloignez l'appareil ou les éteindre.

## La télécommande ne fonctionne pas

- Appuyez la touche POWER pour allumer l'appareil
- Si les piles sont mortes, les changer
- Utilisez la télécommande en dedans de la distance (5m / 15pieds) et pointez la vers le panneau avant.
- Enlevez les obstacles entre la télécommande et l'unité principale
- Si il y a une lumière puissante près de l'appareil, éteignez là.

## Lecteur CD

### Ne joue pas

- Chargez un disque avec le coté de lecture vers le bas
- Si le disque est sale, nettoyez la surface du disque
- Un disque vierge est chargé. Chargez un disque pre-enregistré.
- Dépendamment du disque, etc... il est possible que les disques CD-R ne jouent pas. Essayez un autre disque.

### Son saute

- Installez l'appareil dans un endroit stable pour éviter les vibrations et les heurts.
- Si le disque est sale, nettoyez la surface du disque.
- Ne pas utiliser des disques égratignés, endommagés ou bombés.

### L'enregistrement est impossible.

- Vous avez placé dans l'appareil un disque en lecture seule ou un disque finalisé. Utiliser un disque enregistrable.
- Le disque ne comporte pas de zone enregistrable. Utiliser un autre disque.
- Le niveau d'enregistrement est trop faible. Régler celui-ci.
- Cet appareil requiert des disques numériques audio CD-R ou CD-RW pour l'enregistrement. Des disques d'ordinateur CD-R ou CD-RW ne fonctionnent pas avec cet appareil.

## Syntonisateur

### Il n'est pas possible d'écouter aucun poste, ou signal est trop faible

- Syntonisez le poste correctement.
- Si un téléviseur est proche de l'appareil, l'éteindre.
- Tournez l'appareil ou le fil d'antenne FM pour la meilleure position de réception.

## Platine

### Ne joue pas

- Désérrez la visse et détachez le protecteur de l'aiguille. (Le protecteur de l'aiguille est un couvercle plastique blanc qui protège l'aiguille durant le transport. Si il n'est pas enlevé l'aiguille ne vient pas en contact avec le sillon du disque et aucun son est entendu!)
- Si l'aiguille est usé, changez là
- Choisir la bonne vitesse de reproduction

### Le son saute

- Installez l'appareil dans un endroit stable pour éviter les vibrations et les heurts. Assurez-vous que l'appareil est de niveau, avant arrière et d'un coté à l'autre.
- Nettoyez la surface du disque.
- Ne pas utiliser des disques égratignés, endommagés ou bombés

### Si vous ne parvenez pas à rétablir un fonctionnement normal, débrancher le cordon d'alimentation et le rebrancher.

## Mise en garde sur la condensation

Si l'appareil (ou un disque) est déplacé d'un endroit froid à un endroit chaud, ou utilisé après un changement soudain de température, il existe un danger de condensation; des vapeurs dans l'air peuvent se condensées sur le mécanisme interne, empêchant un bon fonctionnement. Pour prévenir çelà, ou s'il se produit, laissez l'appareil allumé pour une ou deux heures. L'appareil se stabilisera à la température ambiante.

## Entretien

Toujours garder la table tournante propre. Si la surface de l'unité est sale, essuyez avec un chiffon doux ou utilisez un savon liquide doux dilué. Assurez-vous d'enlever tout excès. Ne pas utiliser de diluant, benzine ou alcool car ils peuvent endommager la surface de l'appareil. Attendez que la surface est sèche avant l'utilisation.

## Messages

### 0<sup>TR</sup> 0:00

Un disque CD-R/CD-RW est dans le tiroir

### BUSY

L'appareil est en train de préparer le disque. Attendre quelques secondes.

### CLOSE

Fermer le tiroir du disque

### Er \*\*

Effacement de la dernière piste du disque CD-RW

### Er ALL

Effacement de toute les pistes du disque CD-RW

### FIN - - d

Finalisation du disque

### -\*\*db

Niveau d'incrémentation

### NODISC

Il n'y a pas de disque dans le tiroir

### OPEN

Ouvrir le tiroir

### - - - :- -

L'appareil lit le disque

### P.\*\*

Numéro du programme

### UN FIN

Dé-finalisation d'un disque CD-RW

## Affichage des erreurs

### D FULL, OPFULL

Il n'y a pas d'espace sur le disque, ou aucune piste n'est disponible

### D DISC

Les disques conçus pour les systèmes d'ordinateur ne peuvent pas être utilisés pour l'enregistrement. Utiliser les disques ayant le logo "DIGITAL AUDIO".

### P-FULL

32 pistes ont été programmées. Il n'est plus possible d'ajouter des pistes.

### Err \*\*

Une erreur s'est produite. Appuyer sur l'interrupteur POWER pour mettre l'appareil hors tension, attendre une minute, puis remettre l'appareil sous tension.

### Err 03

Le disque présente un défaut.  
Mettre l'appareil hors puis sous tension, et changer le disque.

(\* est variable)

## Spécifications

### Section amplificateur

Puissance de sortie . . . . . 3.5 W + 3.5 W  
Réponse de fréquence . . . . . 60 Hz à 20 kHz  
Sensibilité/impédance d'entrée audio  
AUX : -6dBV(0,5V)/20kΩ  
Niveau de d'entrée maximum. . . . . LINE :+6dBV(2,0V)

### Section enregistreur CD

Type de support . . . . . CD-RW et CD-R pour audio numérique  
(enregistrement et lecture), CD (lecture uniquement)  
Fréquence d'échantillonnage à l'enregistrement . . . . . 44,1kHz  
Réponse en fréquence . . . . . 20Hz-20kHz  
(lecture:±2dB, enregistrement:±3dB)  
Rapport Signal - Bruit . . . . . Meilleur que 90 dB(lecture)  
Meilleur que 80 dB(enregistrement)  
Distorsion harmonique totale . . . . . inférieur à 0,05%(lecture)  
inférieur à 0,07%(enregistrement)

### Section syntonisateur

Gamme de fréquence (FM) . . . . . 87,50 MHz à 108,00 MHz  
Gamme de fréquence (AM). . . . . 530 kHz à 1710 kHz

### Section tourne disque

Moteur. . . . . moteur servo CC  
Engrenage . . . . . Par courroie  
Vitesse . . . . . 33-1/3 rpm, 45 rpm, 78 rpm  
Pleurage et scintillement . . . . . moins de 0.35% (WDT)  
Rapport signal/bruit . . . . . Plus de 50dB  
Cartouche. . . . . Cartouche céramique stéréo  
Aiguille . . . . . STL-153  
Niveau de sortie . . . . . 158 - 348mV

### Section Haut-Parleurs

Haut-Parleur . . . . . 70 mm  
Impédance . . . . . 4 ohms

### GÉNÉRALITÉS

Alimentation . . . . . 120V, 60Hz  
Consommation de courant . . . . . 55 W

Dimension ( W x H x D ) . . . . . 480 x 230 x 380 mm  
Poids . . . . . 10.5 kg

### Accessoires standards

Guide de l'utilisateur x 1  
Carte de garantie x 1  
Adaptateur 45 RPM x 1  
Télécommande (RC-992) x 1  
Pile (AA, R6, SUM-3) x 2

- Conception et spécifications sujettes à des changements sans pré-avis.
- Poids et dimensions sont approximatives
- Les illustrations peuvent être légèrement différentes des modèles produits.

# TEAC

---

<b>TEAC CORPORATION</b>	3-7-3, Nakacho, Musashino-shi, Tokyo 180-8550, Japan Phone: (0422) 52-5081
TEAC AMERICA, INC.	7733 Telegraph Road, Montebello, California 90640 Phone: (323) 726-0303
TEAC CANADA LTD.	5939 Wallace Street, Mississauga, Ontario L4Z 1Z8, Canada Phone: (905) 890-8008
TEAC MEXICO, S.A. De C.V	Campesinos N°184, Colonia Granjas Esmeralda, Delegacion Iztapalapa, CP 09810, México DF Phone: (525) 581-5500
TEAC UK LIMITED	5 Marlin House, Croxley Business Park, Watford, Hertfordshire, WD18 8TE, U.K. Phone: 01923-819699
TEAC EUROPE GmbH	Bahnstrasse 12, 65205 Wiesbaden-Erbenheim, Germany Phone: 0611-71580
TEAC FRANCE S.A.	17, Rue Alexis-de-Tocqueville, CE 005 92182 Antony Cedex, France Phone: (1) 42.37.01.02
TEAC ITALIANA S.p.A.	Via C. Cantù 11, 20092 Cinisello Balsamo, Milano, Italy Phone: 02-66010500
TEAC AUSTRALIA PTY., LTD. A.B.N. 80 005 408 462	280 William Street, Melbourne VIC 3000, Australia Phone: (03) 9672-2400

---

This appliance has a serial number located on the rear panel. Please record the model number and serial number and retain them for your records.

Model number \_\_\_\_\_ Serial number \_\_\_\_\_

0105-MA-0954 **B**



## Free Manuals Download Website

<http://myh66.com>

<http://usermanuals.us>

<http://www.somanuals.com>

<http://www.4manuals.cc>

<http://www.manual-lib.com>

<http://www.404manual.com>

<http://www.luxmanual.com>

<http://aubethermostatmanual.com>

Golf course search by state

<http://golfingnear.com>

Email search by domain

<http://emailbydomain.com>

Auto manuals search

<http://auto.somanuals.com>

TV manuals search

<http://tv.somanuals.com>