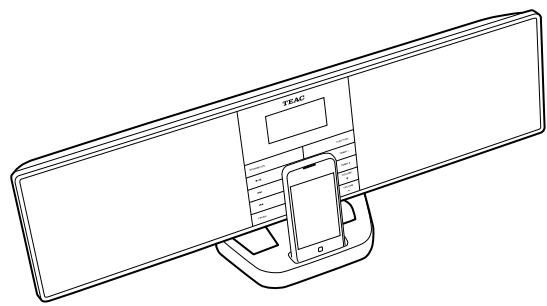


MC-DX80i

Hi-Fi Table Radio OWNER'S MANUAL



Thank you for choosing TEAC. Read this manual carefully to get the best performance from this unit.



iPhone, iPod, iPod classic, iPod nano, and iPod touch are trademarks of Apple Inc., registered in the U.S. and other countries. "Made for iPod" and "Made for iPhone" mean that an electronic accessory has been designed to connect specifically to iPod or iPhone, respectively, and has been certified by the developer to meet Apple performance standards. Apple is not responsible for the operation of this device or its compliance with safety and regulatory standards.

0710-16A-1022A



The lightning flash with arrowhead symbol, within an equilateral triangle, is intended to alert the user to the presence of unshielded "dangerous voltage" within the product's enclosure that may be of sufficient magnitude to constitute a risk of electric shock to persons.

The explanation point within an equilateral triangle is intended to alert the user to the presence of important operating and maintenance (servicing) instructions in the literature accompanying the appliance.

IMPORTANT SAFETY INSTRUCTIONS

- Read these instructions.
- Keep these instructions.
- Heed all warnings.
- Follow all instructions.
- Do not use this apparatus near water.
- Clean only with dry cloth.
- Do not block any ventilation openings. Install in accordance with the manufacturer's instructions.
- Do not install near any heat sources such as radiators, heat registers, stoves, or other apparatus (including amplifiers) that produce heat.

- Do not defeat the safety purpose of the polarized or grounding-type plug. A polarized plug has two blades with one wider than the other. A grounding type plug has two blades and a third grounding prong. The wide blade or the third prong are provided for your safety. If the provided plug does not fit into your outlet, consult an electrician for replacement of the obsolete outlet.
- Protect the power cord from being walked on or pinched particularly at plugs, convenience receptacles, and the point where they exit from the apparatus.
- Only use attachments/accessories specified by the manufacturer.
- Use only with the cart, stand, tripod, bracket, or table specified by the manufacturer, or sold with the apparatus. When a cart is used, use caution when moving the cart/appliance combination to avoid injury from tip-over.
- Unplug this apparatus during lightning storms or when unused for long periods of time.
- Refer all servicing to qualified service personnel. Servicing is required when the apparatus has been damaged in any way, such as power-supply cord or plug is damaged, liquid has been spilled or objects have fallen into the apparatus, the apparatus has been exposed to rain or moisture, does not operate normally, or has been dropped.

WARNING: TO PREVENT FIRE OR SHOCK HAZARD, DO NOT EXPOSE THIS APPLIANCE TO RAIN OR MOISTURE.

CLASS II Apparatus with double insulation and no protective earth provided.

- Do not expose this apparatus to drips or splashes.
- Do not place any objects filled with liquids, such as vases, on the apparatus.
- Do not install this apparatus in a confined space such as a book case or similar unit.
- The apparatus draws nominal non-operating power from the AC outlet with its POWER or STANDBY/ON switch not in the ON position.
- The apparatus should be located close enough to the AC outlet so that you can easily grasp the power cord plug at any time.
- The mains plug is used as the disconnect device, the disconnect device shall remain by the manufacturer.
- If the product uses batteries (including a battery pack or installed batteries), they should not be exposed to sunshine, fire or excessive heat.
- CAUTION for products that use replaceable lithium batteries: there is danger of explosion if a battery is replaced with an incorrect type of battery. Replace only with the same or equivalent type.
- CAUTION should be taken when using earphones or headphones with the product because excessive sound pressure (volume) from earphones or headphones can cause hearing loss.

CAUTION DO NOT REMOVE THE EXTERNAL CASES OR CABINETS TO EXPOSE THE ELECTRONICS. NO USER SERVICEABLE PARTS ARE WITHIN. IF YOU ARE EXPERIENCING PROBLEMS WITH THIS PRODUCT, CONTACT TEAC FOR A SERVICE REFERRAL. DO NOT USE THE PRODUCT UNTIL IT HAS BEEN REPAIRED.

For U.S.A. This equipment has been tested and found to comply with the limits for a Class B digital device, pursuant to Part 15 of the FCC Rules. These limits are designed to provide reasonable protection against harmful interference in a residential installation. This equipment generates, uses, and can radiate radio frequency energy and, if not installed and used in accordance with the instructions, may cause harmful interference to radio communications. However, there is no guarantee that interference will not occur in a particular installation. If this equipment does cause harmful interference to radio or television reception, which can be determined by turning the equipment off and on, the user is encouraged to try to correct the interference by one or more of the following measures:

Reorient or relocate the equipment and/or the receiving antenna. Increase the separation between the equipment and receiver. Connect the equipment into an outlet on a circuit different from that to which the receiver is connected.

CAUTION Changes or modifications to this equipment not expressly approved by TEAC CORPORATION for compliance will void the user's warranty.

This appliance has a serial number located on the rear panel. Please record the serial number and retain it for your records.

Model name: MC-DX80i Serial number:

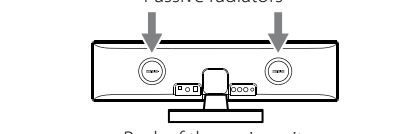
1 Before Using the Unit

CAUTION

- The voltage supplied to the unit should match the voltage as printed on the rear panel. If you are in any doubt regarding this matter, consult an electrician.
- Do not open the cabinet because this might result in damage to the circuitry or electrical shock. If a foreign object should get into the unit, contact your dealer or service company.
- When removing the AC power plug from the wall socket, always pull directly on the AC adapter, never yank on the cord.
- Do not push the passive radiators on the back of the main unit. Doing so may cause malfunction or damage the unit.

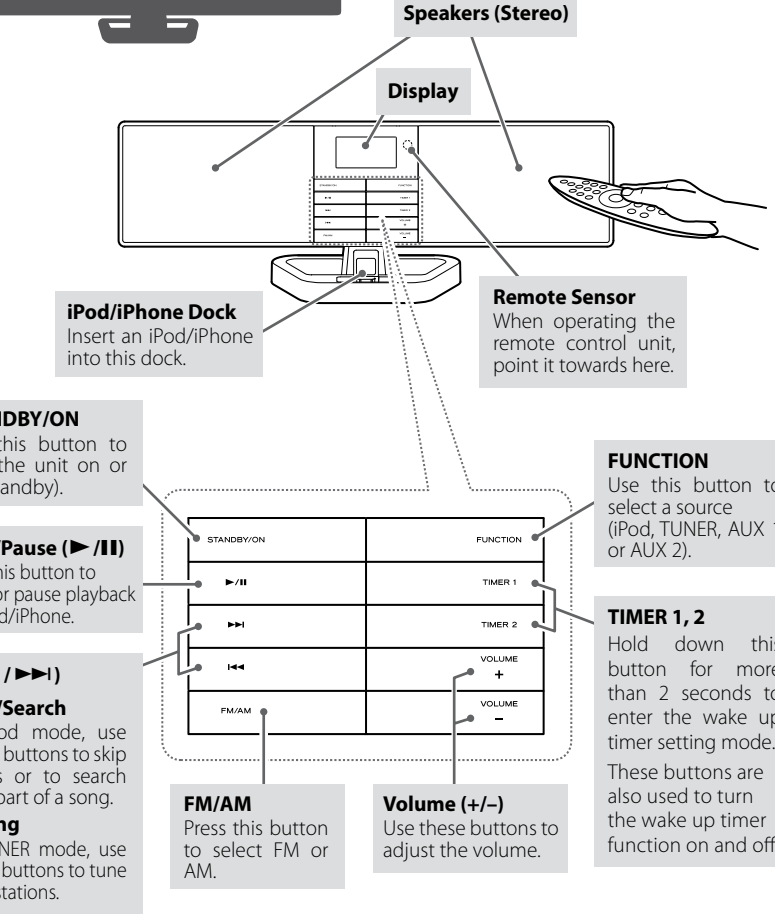
Maintenance

If the surface of the unit gets dirty, wipe with a soft cloth or use a diluted mild liquid soap. Allow the surface of the unit to dry completely before using.

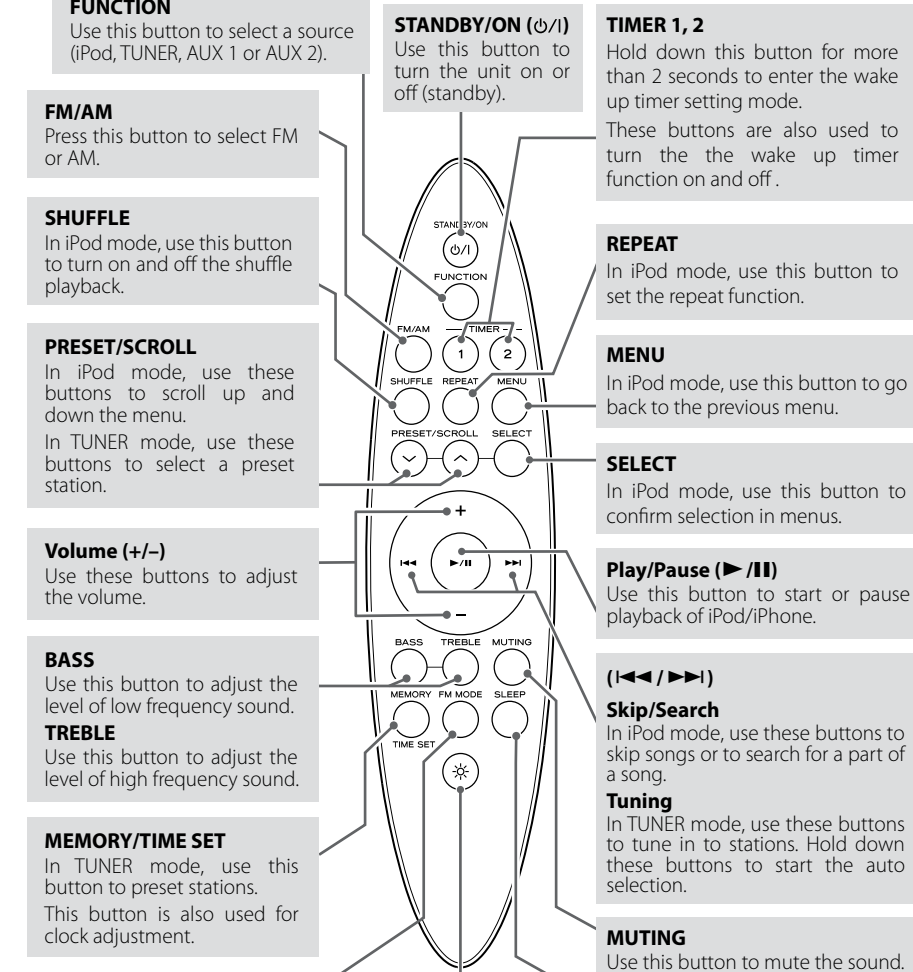


Passive radiators Back of the main unit

2 Unit Functions



STANDBY/ON Use this button to turn the unit on or off (standby). Play/Pause (P/II) Use this button to start or pause playback of iPod/iPhone. Skip/Search (P/II) In iPod mode, use these buttons to skip songs or to search for a part of a song. Tuning In TUNER mode, use these buttons to tune in to stations.



FUNCTION Use this button to select a source (iPod, TUNER, AUX 1 or AUX 2). FM/AM Press this button to select FM or AM. SHUFFLE In iPod mode, use this button to turn on and off the shuffle playback. PRESET/SCROLL In iPod mode, use these buttons to scroll up and down the menu. In TUNER mode, use these buttons to select a preset station. Volume (+/-) Use these buttons to adjust the volume. BASS Use this button to adjust the level of low frequency sound. TREBLE Use this button to adjust the level of high frequency sound. MEMORY/TIME SET In TUNER mode, use this button to preset stations. This button is also used for clock adjustment. FM MODE In FM tuner mode, use this button to change STEREO mode to MONO mode. DIMMER Use this button to change the brightness of the display. SLEEP Use this button to set the sleep timer.

3 Connections

DC IN

After all other connections have been completed, connect the supplied AC adapter (PS-M0926) to the DC IN jack. Then, connect the plug to an AC wall outlet.

Be sure to connect the AC adapter to an AC outlet which supplies the correct voltage.

Hold the AC adapter when plugging or unplugging it. Never pull or yank on the power cord.

Use only the supplied AC adapter (PS-M0926). Do not use any AC adapter other than the one included with this unit.

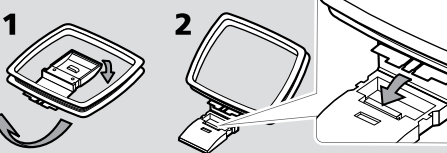
FM antenna

Connect the supplied FM antenna to the FM 75Ω ANTENNA terminal. Extend the lead, find the best position for reception and attach it to a window frame or wall with thumbtacks or the like.

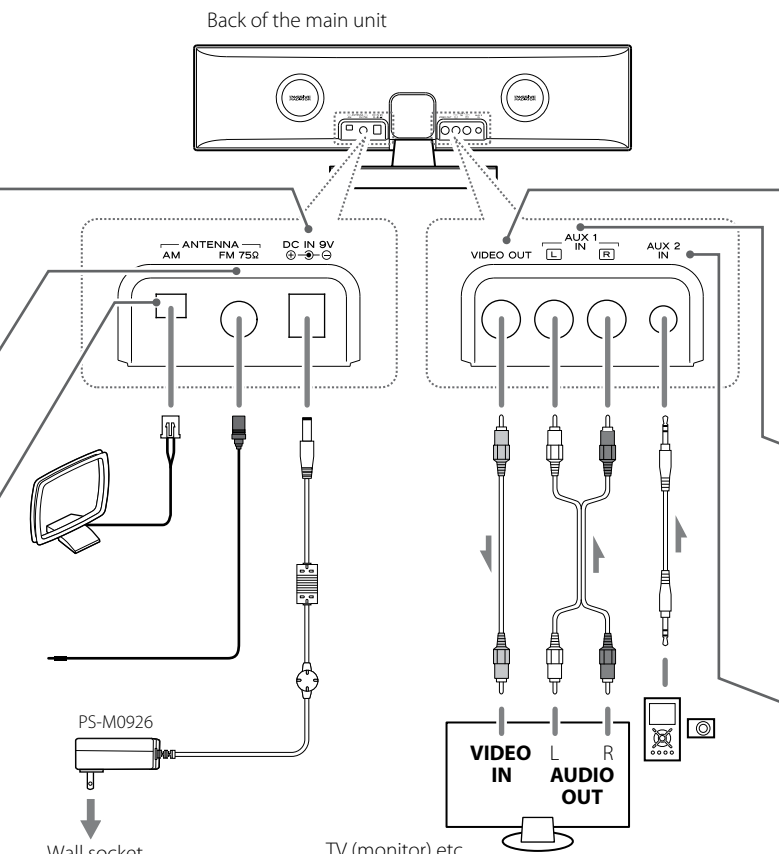
AM loop antenna

Connect the supplied AM loop antenna to the AM ANTENNA terminal. Place the antenna in the direction which gives the best reception.

Stand the loop antenna on a surface, fix the claw to the slot in the antenna base.



After all connections are complete, connect the AC adapter's plug to the AC wall socket. Be sure to connect each plug securely. To avoid hum and noise, do not bundle the connection cords.



VIDEO OUT

This terminal outputs video signal from an iPod/iPhone connected to the dock of the MC-DX80i. Connect the unit to the composite video connector of a television or monitor using the supplied RCA (pin) video cable.

Make the following settings on your iPod's menu to output video to a TV via the Dock. In the [Video] menu, select [Video Settings], and then set [TV OUT] to [On] and [iAsk]. (iPod touch* and iPhone models do not have this menu.) * iPod touch 1st generation: Software ver. 2.2 or later

- When you have set [TV OUT] to [iAsk], each time you play a video your iPod/iPhone prompts you to specify whether to output it to a TV.
- When you output video to a TV from your iPod/iPhone, the video is not displayed on the iPod/iPhone's screen.

AUX 1 IN

Analogue 2-channel audio signal is input from these jacks. Connect TV's audio output jacks to these jacks using the supplied RCA (pin) stereo cables.

Make sure to connect: White plug → White jack (L-left channel) Red plug → Red jack (R-right channel)

AUX 2 IN

You can connect a portable audio player to this jack. Connect the LINE OUT or PHONES Jack (audio output jack) of the player using the supplied stereo mini plug cable.

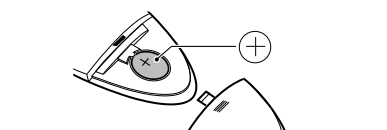
4 Remote Control Unit

The provided Remote Control Unit allows the unit to be operated from a distance. When operating the remote control unit, point it towards the remote sensor on the front panel of the unit.

- Even if the remote control unit is operated within the effective range (16 ft/5 m), remote control operation may be impossible if there are any obstacles between the unit and the remote control.
- If the remote control unit is operated near other products which generate infrared rays, or if other remote control devices using infrared rays are used near the unit, it may operate incorrectly. Conversely, the other products may also operate incorrectly.

Battery Installation

- Remove the battery compartment cover.
- Put the lithium-ion battery (CR2025, 3 V) in with the "+" side up.
- Close the cover.



Battery Replacement

If the distance required between the remote control unit and main unit decreases, the battery is exhausted. In this case, replace battery with a new one.

- For information about the collection of batteries, please contact your local municipality, your waste disposal service or the place where you purchased them.

Battery Precautions

- Misuse of batteries could cause them to rupture or leak, leading to fire, injury or the staining of nearby things. Please read and observe the following precautions carefully.
- Be sure to insert the battery with the positive "+" and negative "-" polarities correctly positioned.
- If the battery leaks, wipe away the leakage inside the battery compartment and replace the battery with a new one.
- If the remote control unit is not to be used for a long time (more than a month), remove the battery from the remote control unit to prevent it from being exhausted.
- Do not use any batteries other than those specified.
- Do not heat or disassemble batteries. Never throw them in fire or water.
- Do not carry or store batteries with other metallic objects. The batteries could short circuit, leak or explode.

5 iPod/iPhone

iPod/iPhone compatibility The following iPod/iPhone models can be connected to and used with this unit:

- iPod 5th generation (video)
- iPod classic
- iPod nano (1st to 5th generation)
- iPod touch (1st to 3rd generation)
- iPhone (1st generation and 3G/3GS)

Compatible iPod/iPhone software In case your iPod/iPhone will not work with the MC-DX80i or with the remote control unit, software update may solve the problem.

1 If the unit is on, press the STANDBY/ON button (O/I) to turn the unit off (standby).

2 Press and hold the TIME SET button on the remote control unit for more than 2 seconds.

12 H or *24 H* blinks. If you want to change the hour mode, press the Skip (P/II) button.

3 Press the TIME SET button.

The four value blinks.

4 Press the Skip (P/II) button to set the current hour, then press the TIME SET button.

The minute value blinks.

5 Press the Skip (P/II) button to set the current minute, then press the TIME SET button.

The year value blinks.

6 Setting the Clock



1 If the unit is on, press the STANDBY/ON button (O/I) to turn the unit off (standby).

2 Press and hold the TIME SET button on the remote control unit for more than 2 seconds.

12 H or *24 H* blinks. If you want to change the hour mode, press the Skip (P/II) button.

3 Press the TIME SET button.

The four value blinks.

4 Press the Skip (P/II) button to set the current hour, then press the TIME SET button.

The minute value blinks.

5 Press the Skip (P/II) button to set the current minute, then press the TIME SET button.

The year value blinks.

7 Basic Operation



1 Press the STANDBY/ON button to turn the unit on.

The unit turns on with the source that was last selected.

2 Select a source by pressing the FUNCTION button.

The source changes as follows:

- If you selected "iPod" when no iPod/iPhone is docked, the iPod indicator on the display blinks.
- To listen to an external source connected to the AUX IN jacks, select "AUX 1" or "AUX 2".
- In tuner mode, press the FM/AM button to change the band.
- You can also use the FM/AM button to select directly FM or AM.

3 Play the source and adjust the volume using the VOLUME buttons.

The volume is adjustable from 0 to 40.

1 Press the STANDBY/ON button to turn the unit on.

The unit turns on with the source that was last selected.

2 Select a source by pressing the FUNCTION button.

The source changes as follows:

- If you selected "iPod" when no iPod/iPhone is docked, the iPod indicator on the display blinks.
- To listen to an external source connected to the AUX IN jacks, select "AUX 1" or "AUX 2".
- In tuner mode, press the FM/AM button to change the band.
- You can also use the FM/AM button to select directly FM or AM.

3 Play the source and adjust the volume using the VOLUME buttons.

The volume is adjustable from 0 to 40.

1 Press the STANDBY/ON button to turn the unit on.

The unit turns on with the source that was last selected.

2 Select a source by pressing the FUNCTION button.

The source changes as follows:

- If you selected "iPod" when no iPod/iPhone is docked, the iPod indicator on the display blinks.
- To listen to an external source connected to the AUX IN jacks, select "AUX 1" or "AUX 2".
- In tuner mode, press the FM/AM button to change the band.
- You can also use the FM/AM button to select directly FM or AM.

3 Play the source and adjust the volume using the VOLUME buttons.

The volume is adjustable from 0 to 40.

1 Press the STANDBY/ON button to turn the unit on.

The unit turns on with the source that was last selected.

2 Select a source by pressing the FUNCTION button.

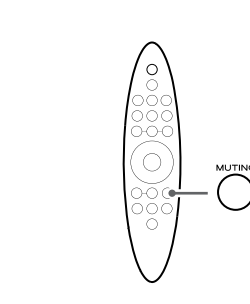
The source changes as follows:

- If you selected "iPod" when no iPod/iPhone is docked, the iPod indicator on the display blinks.
- To listen to an external source connected to the AUX IN jacks, select "AUX 1" or "AUX 2".
- In tuner mode, press the FM/AM button to change the band.
- You can also use the FM/AM button to select directly FM or AM.

3 Play the source and adjust the volume using the VOLUME buttons.

The volume is adjustable from 0 to 40.

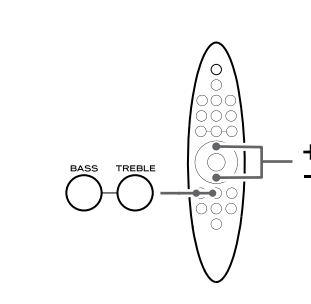
9 Muting



To mute the sound temporarily, press the MUTE button. Press the MUTE button again to restore the sound.

- While muting is engaged, "MUTE ON" appears on the display.
- If you change the volume or source during the muting, the muting will be cancelled.
- This operation is available in every mode.

10 Tone Control



You can change the bass and treble sound between "4" to "4+".

- This operation is available in every mode.

1 Press the BASS or TREBLE button.

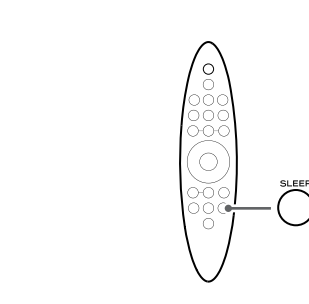
To adjust the level of low frequency sound range, press the BASS button.

To adjust the level of high frequency sound range, press the TREBLE button.

2 Within 3 seconds, press the VOLUME +/- buttons to change the setting.

The level can be adjusted from "4" to "4+".

11 Sleep Timer



You can set the sleep timer so the unit turns itself to standby (off) after a specified amount of time.

Each time the SLEEP button is pressed, the setting is changed as follows:

- Select "OFF" to cancel the sleep timer.
- The display is dimmed during the sleep timer is activated.
- If you want to check the time remaining until the unit is switched to standby, press the SLEEP button once. The remaining time will be displayed for a few seconds.
- This operation is available in every mode.

1 Press the SLEEP button.

The MC-DX80i will automatically turn on and start playback from the play list of iPod/iPhone.

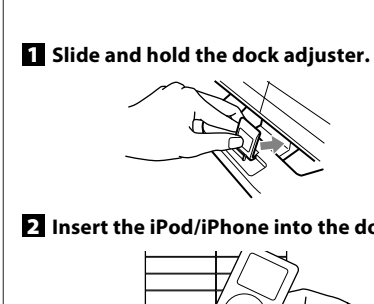
When an iPod/iPhone is detected by the MC-DX80i, "AUTHENT" appears on the display for a few seconds. And then it turns to the clock display.

When an iPod/iPhone that is in playback mode is inserted into the dock, the MC-DX80i will automatically turn on and start playback of the iPod/iPhone.

While the iPod/iPhone is docked and the MC-DX80i is turned on, the battery of the iPod/iPhone is recharged to the full except when the unit is in the AM tuner mode.

When headphones are plugged into the iPod/iPhone, sound comes out from both the speakers of the MC-DX80i and the headphones.

12 Listening to an iPod/iPhone



When an iPod/iPhone is docked, the iPod indicator on the display blinks.

When no iPod/iPhone is docked, the iPod indicator on the display blinks.

1 Press the Play/Pause (P/II) button.

The MC-DX80i will automatically turn on and start playback from the play list of iPod/iPhone.

When an iPod/iPhone is detected by the MC-DX80i, "AUTHENT" appears on the display for a few seconds. And then it turns to the clock display.

When an iPod/iPhone that is in playback mode is inserted into the dock, the MC-DX80i will automatically turn on and start playback of the iPod/iPhone.

While the iPod/iPhone is docked and the MC-DX80i is turned on, the battery of the iPod/iPhone is recharged to the full except when the unit is in the AM tuner mode.

When headphones are plugged into the iPod/iPhone, sound comes out from both the speakers of the MC-DX80i and the headphones.

1 Slide and hold the dock adjuster.

When an iPod/iPhone is docked, the iPod indicator on the display blinks.

2 Insert the iPod/iPhone into the dock.

When an iPod/iPhone is detected by the MC-DX80i, "AUTHENT" appears on the display for a few seconds. And then it turns to the clock display.

When an iPod/iPhone that is in playback mode is inserted into the dock, the MC-DX80i will automatically turn on and start playback of the iPod/iPhone.

While the iPod/iPhone is docked and the MC-DX80i is turned on, the battery of the iPod/iPhone is recharged to the full except when the unit is in the AM tuner mode.

When headphones are plugged into the iPod/iPhone, sound comes out from both the speakers of the MC-DX80i and the headphones.

3 Release the adjuster.

The MC-DX80i will automatically turn on and start playback from the play list of iPod/iPhone.

When an iPod/iPhone is detected by the MC-DX80i, "AUTHENT" appears on the display for a few seconds. And then it turns to the clock display.

When an iPod/iPhone that is in playback mode is inserted into the dock, the MC-DX80i will automatically turn on and start playback of the iPod/iPhone.

While the iPod/iPhone is docked and the MC-DX80i is turned on, the battery of the iPod/iPhone is recharged to the full except when the unit is in the AM tuner mode.

When headphones are plugged into the iPod/iPhone, sound comes out from both the speakers of the MC-DX80i and the headphones.

4 Press the Play/Pause (P/II) button.

The MC-DX80i will automatically turn on and start playback from the play list of iPod/iPhone.

When an iPod/iPhone is detected by the MC-DX80i, "AUTHENT" appears on the display for a few seconds. And then it turns to the clock display.

When an iPod/iPhone that is in playback mode is inserted into the dock, the MC-DX80i will automatically turn on and start playback of the iPod/iPhone.

While the iPod/iPhone is docked and the MC-DX80i is turned on, the battery of the iPod/iPhone is recharged to the full except when the unit is in the AM tuner mode.

When headphones are plugged into the iPod/iPhone, sound comes out from both the speakers of the MC-DX80i and the headphones.

5 Press the Play/Pause (P/II) button during playback. Playback stops at the current position. To resume playback, press the Play/Pause (P/II) button again.

Press the Play/Pause (P/II) button during playback. Playback stops at the current position. To resume playback, press the Play/Pause (P/II) button again.

6 Suspending playback temporarily (pause mode)

Press the Play/Pause (P/II) button during playback. Playback stops at the current position. To resume playback, press the Play/Pause (P/II) button again.

7 Skipping to the next or a previous song

Press the Play/Pause (P/II) button during playback. Playback stops at the current position. To resume playback, press the Play/Pause (P/II) button again.

1 Selecting iPod mode

Select "iPod" using the FUNCTION button. Each time the FUNCTION button is pressed, the iPod indicator has already been docked.

When no iPod/iPhone is docked, the iPod indicator on the display blinks.

2 Selecting a menu item

Press the PRESET/SCROLL (V) buttons to scroll to the menu item you want, and then press the SELECT button.

3 Activating the shuffle mode

During playback, press the SHUFFLE button to change the Shuffle mode.

Each time the SHUFFLE button is pressed, the Shuffle setting of iPod/iPhone is changed as follows:

- When the iPod/iPhone is set to repeat one song, the icon appears on the display of iPod/iPhone.
- When the iPod/iPhone is set to repeat all songs of the MC-DX80i, the icon appears on the display of iPod/iPhone.

Free Manuals Download Website

<http://myh66.com>

<http://usermanuals.us>

<http://www.somanuals.com>

<http://www.4manuals.cc>

<http://www.manual-lib.com>

<http://www.404manual.com>

<http://www.luxmanual.com>

<http://aubethermostatmanual.com>

Golf course search by state

<http://golfingnear.com>

Email search by domain

<http://emailbydomain.com>

Auto manuals search

<http://auto.somanuals.com>

TV manuals search

<http://tv.somanuals.com>