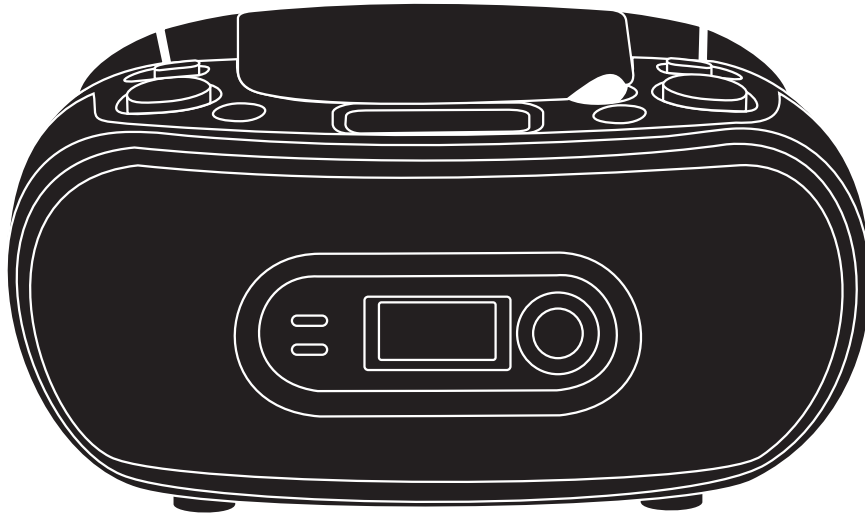


Technika

EXCLUSIVELY FROM TESCO

BB-129I

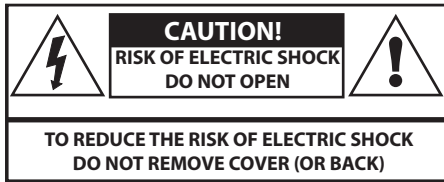
Owner's Handbook



Portable CD/radio system with dock for iPod



IMPORTANT SAFETY INFORMATION



This symbol indicates that there are important operating and maintenance instructions in the literature accompanying this unit.



This symbol indicates that dangerous voltage constituting a risk of electric shock is present within this unit.

Read these instructions.

Keep these instructions.

Heed all warnings.

Follow all instructions.

Do not use this apparatus near water.

Clean only with a slightly damp cloth.

Do not block any ventilation openings.

Install in accordance with the manufacturer's instructions.

Do not install or operate near any heat sources such as radiators, stoves, or other apparatus that produce heat.

Unplug this apparatus during lightning storms or when unused for long periods of time.

Refer all servicing to qualified service personnel. Servicing is required when the apparatus has been damaged in any way, such as the power-supply cord or plug is damaged, liquid has been spilled or objects have fallen into the apparatus, the apparatus has been exposed to rain or moisture, does not operate normally, or has been dropped.

Warning: To reduce the risk of fire or electrical shock, do not expose this product to rain or moisture. The product must not be exposed to dripping and splashing and no object filled with liquids such as a vase of flowers should be placed on the product.

No naked flame sources such as candles should be placed on the product.

Caution: Changes or modifications not expressly approved by the manufacturer could void the user's authority to operate this device.

Caution: Usage of controls or adjustments or performance of procedures other than those specified herein may result in hazardous exposure.



WARNING: DANGER OF RADIATION

These labels tell you that the unit contains a laser component. Opening the CD compartment lid and defeating the safety interlocks will expose the user to radiation from the laser beam. Do not stare into the laser while it is operating.

IMPORTANT

This equipment generates, uses and can radiate radio frequency energy and, if not installed and used in accordance with the instructions, may cause harmful interference to radio communication. However, this is no guarantee that interference will not occur in a particular installation. If this equipment does cause harmful interference to radio or television reception, which can be determined by turning the equipment off and on, the user is encouraged to try to correct the interference by one of the following measures:

- Reorient or relocate the receiving antenna.
- Increase the separation between the equipment and receiver.
- Connect the equipment into an outlet on a circuit different from that to which the receiver is connected.
- Consult the dealer or an experienced radio/TV technician for help.

ELECTRICAL INFORMATION

Mains Supply: The mains operating voltage of this unit is marked on a rating plate on the rear of the unit.

The means of disconnecting this appliance from the mains supply is the mains plug. This should be unobstructed and readily operable at all times.

INDEX

INDEX

Important safety information	1
Introduction	2
Unpacking	2
Controls and connections.....	3
Remote control	5
Connecting power	6
Listening to the radio	6
Setting the volume.....	6
iPod adaptors	7
Docking and playing an iPod	8
Playing a CD.....	9
Playing Aux sources	10
Troubleshooting	11
Care & Maintenance.....	11
Specifications	11
Warranty	11

INTRODUCTION

The BB-1291 is a full-function mains powered CD/radio with iPod docking station.

An AUX input on the top panel enables connection of other external sources such as personal audio equipment and computers.

PRELIMINARIES

UNPACKING

Carefully unpack the unit. If it is damaged, please return it to your nearest Tesco store for replacement. Remember to take your purchase receipt with you.

Retain the User Handbook. If you pass the unit on to a third party make sure you pass on the handbook.

We suggest you retain the packaging. If you dispose of it, do so having regard to any recycling regulations in your area.

CONTENTS

The carton should contain:

- The BB-1291 CD/radio
- Power cord
- Remote control with battery
- Set of 8 x iPod adaptors
- Operating Manual

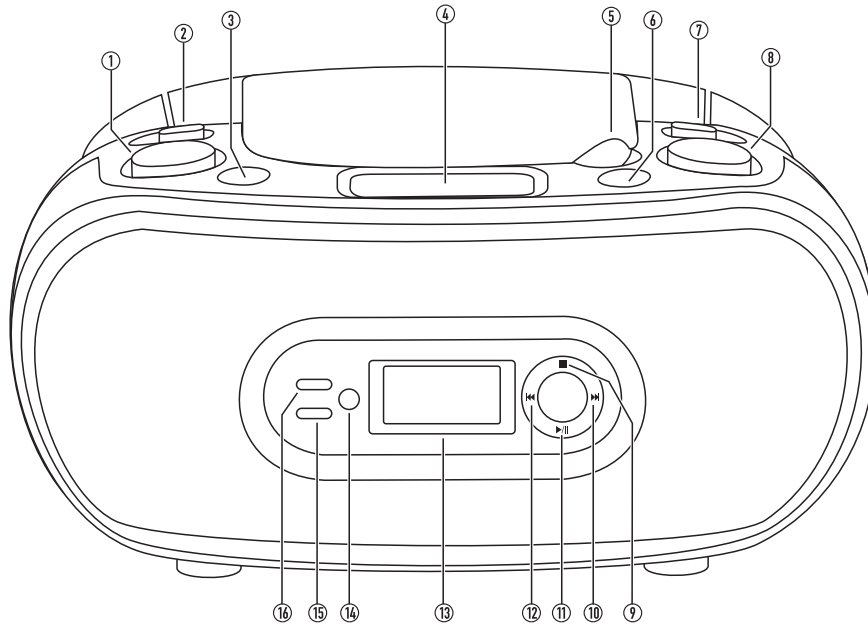
If any items are missing or damaged, contact your nearest TESCO store for a replacement. Have your receipt ready when you call. Retain the packaging. If you dispose of it, do so having regard to any recycling regulations in your area.

LOCATION

Place the unit on dry stable surface away from heat and damp and where it is unlikely to fall or be knocked over.

CONTROLS AND CONNECTIONS

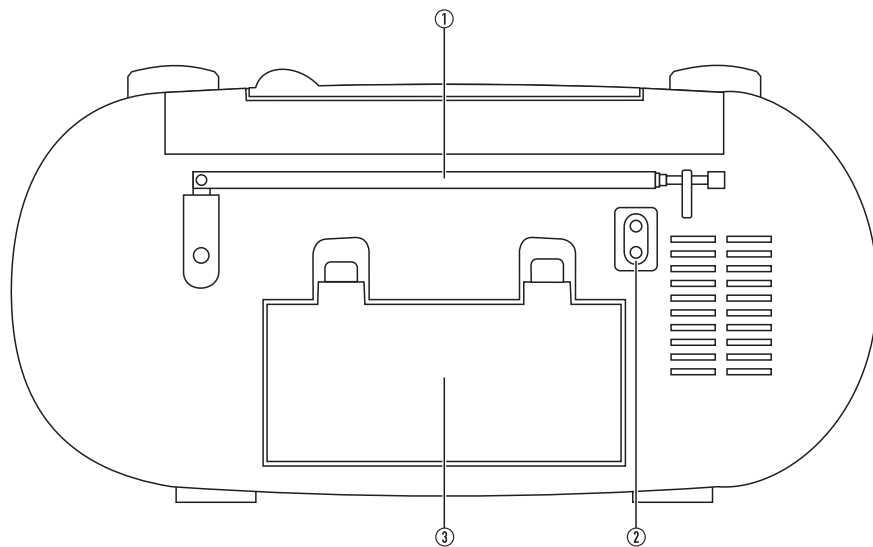
FRONT VIEW



- ① Volume control
- ② Function (source) switch
- ③ Headphone jack
- ④ iPod dock
- ⑤ CD loading door
- ⑥ AUX input jack
- ⑦ Band switch
- ⑧ Tuning knob
- ⑨ Stop button
- ⑩ Next button
- ⑪ Play/Pause button
- ⑫ Previous button
- ⑬ Display window
- ⑭ Remote control receiver
- ⑮ Repeat button
- ⑯ Program button

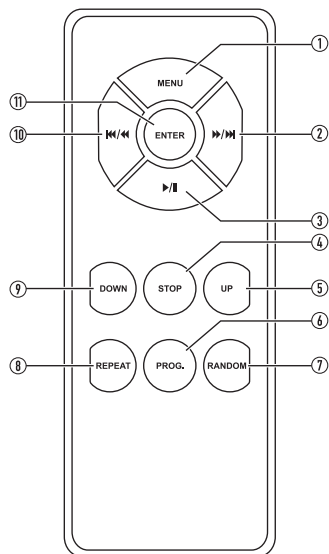
CONTROLS AND CONNECTIONS

BACK VIEW



- ① FM antenna
- ② AC inlet
- ③ Battery compartment

REMOTE CONTROL

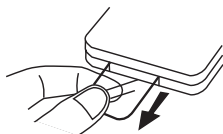


- ① Menu button
- ② Next/Search forward button
- ③ Play/pause button
- ④ Stop button
- ⑤ Up button
- ⑥ Program button
- ⑦ Random button
- ⑧ Repeat button
- ⑨ Down button
- ⑩ Previous/Search backward button
- ⑪ Enter button

REMOTE CONTROL BATTERIES

BEFORE FIRST USE

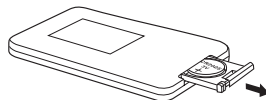
To prepare the remote control for first use, pull out the safety strip to activate the battery.



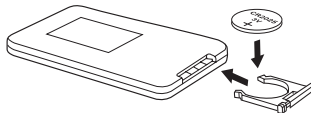
REPLACING THE BATTERY

When replacing the battery in the remote control, refer to the diagram below.

1. Press the catch across.
2. While holding the catch, open the battery door.



3. Fit the battery observing polarity as shown. When replacing the battery, use only the same CR2025 type specified.



BATTERY DISPOSAL

Dispose of used batteries with regard to the recycling regulations in your area. Do NOT short circuit batteries or throw them into water, the general rubbish or in a fire.

Weak batteries can leak and damage the remote control.

Replace them in good time!

AC MAINS OPERATION

CONNECTING POWER

- Check that the mains voltage marked on the rating plate on the back panel is the same as the voltage in your area.
- Plug the AC power cord into the AC inlet
- Plug the mains plug into the wall socket and switch the mains power on.

BATTERY OPERATION

This model is configured for AC mains operation only.

Batteries should not be fitted to the battery compartment on the back panel.

LISTENING TO FM RADIO

To listen to FM radio:

- Fully extend the telescopic aerial at the back of the unit.
- Move the **FUNCTION** slide switch on the top panel to select the RADIO position.
- Move the **BAND** slide switch on the top panel to the FMST. (FM stereo) position.
- Turn the **TUNING** knob to select the station you want (the FM frequency scale is the inner scale marked around the knob in MHz).
- Fine adjust the tuning so that the station plays clearly.

If you can hear a lot of background noise when playing the station, the signal may be weak.

You may be able to improve the signal strength by adjusting the position of the telescopic aerial or moving the radio to a different position.

If this doesn't help and the noise persists, switching to FM mono reception will reduce the background noise.

To switch to FM mono:

Move the **BAND** slide switch to the FM position.

NOTE:- FM mono will not give the spatial sound benefits of FM stereo, but will always play with less background noise.

LISTENING TO AM RADIO

To listen to AM radio:

- Move the **FUNCTION** slide switch on the top panel to select the RADIO position.
- Move the **BAND** slide switch on the top panel to the AM position.
- Turn the **TUNING** knob to select the station you want (the AM frequency scale is the outer scale marked around the knob in kHz).
- Fine adjust the tuning so that the station plays clearly.

You may be able to improve the clarity of the sound by rotating the radio until the sound is clearest.

NOTE:- It is not necessary to extend the telescopic aerial when listening to AM radio.

ADJUSTING THE VOLUME

To increase the volume:

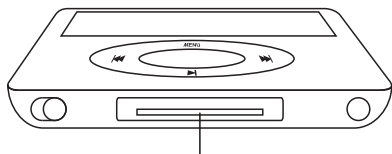
- Turn the **VOLUME** control knob on the top panel clockwise.

To decrease the volume:

- Turn the **VOLUME** control knob on the top panel anti-clockwise.

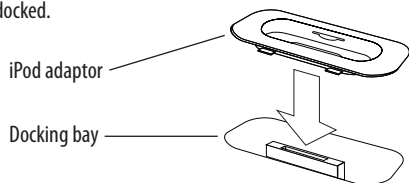
iPod ADAPTORS

Before docking your iPod you must first check if your iPod has a docking connector. Early iPod models do not have one and cannot be docked to your unit. The docking connector is located on the base of the iPod as shown below.



Docking Connector

Before docking your iPod, you must first remove the cover from the docking bay and fit the correct iPod adaptor. Each iPod adaptor matches the shape of a particular iPod and is necessary to ensure that your iPod is securely held when docked.



FINDING THE CORRECT iPod ADAPTOR

Your iPod docking system is supplied with a selection of docking adaptors that are compatible with several models in the iPod range. Refer to the table of iPod models in the next column which lists the adaptor numbers (marked on the side of the adaptor), compatibility and instructions for obtaining an adaptor for unlisted models.

NOTE: Do not dock an iPod without fitting the correct adaptor, you may damage the iPod and your unit.

SELECTING AN ADAPTOR

LIST OF SUPPLIED ADAPTORS

- ③ iPod mini (4GB or 6GB)
- ④ iPod, 4th gen. with a B&W display and clickwheel with legends on wheel (20GB or 30GB)
- ⑤ iPod, 4th gen. with a B&W display and clickwheel with legends on wheel (40GB)
- ⑦ iPod photo, with a colour display (40GB or 60GB)
- ⑧ iPod nano 1st gen. with flat sides.
- ⑨ iPod video 5th gen. (30GB or 60GB) and iPod Classic (80GB or 120GB).
- ⑩ iPod video 5th gen. (80GB) and iPod Classic (160GB).
- ⑪ iPod nano 2nd. gen with round sides.

Other iPod models with dock connectors

Your iPod may have been supplied, packed with a standard dock adaptor. If so, this can be used as the docking bay on your unit is compatible with adaptors supplied by Apple.

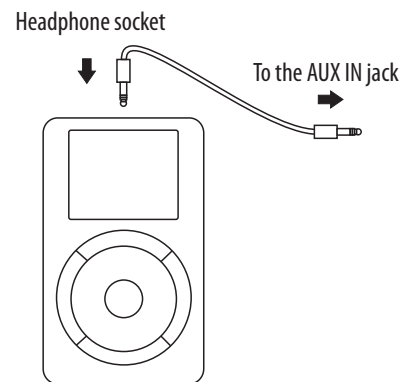
If you don't have a dock adaptor

If your iPod was not supplied with a standard dock adaptor, you can buy one from Apple on-line. To determine the exact model of your iPod, refer to this web-link - <http://support.apple.com/kb/HT1353>. You can then browse the iPod accessories page on the Apple website to find an adaptor for your iPod model that can be purchased on-line.

Once you have located the correct adaptor for your iPod, press it gently into the iPod Docking Bay before attempting to dock your iPod.

CONNECTING OTHER iPod MODELS (INC SHUFFLE)

If you own an iPod Shuffle, a model without dock connector or prefer to connect your iPod by cable, you can connect the sound output to the AUX IN jack on the top panel.



- Using a 3.5mm stereo jack to jack cable (not supplied), connect one end of the cable to the headphone socket of the iPod, and the other end to the AUX IN jack on the top panel.
- To listen to your iPod, follow the instructions on page 10 for playing equipment connected to the AUX IN jack.

NOTE:- The volume control of the iPod must be turned up when playing through the AUX IN jack.

NOTE:- An iPod connected to the AUX IN jack cannot be operated from the remote control and will not be activated by the alarm.

DOCKING AN iPod

DOCKING YOUR iPod

To dock your iPod:

- Check that the correct iPod adaptor is fitted to the docking bay.
- Locate the iPod on the Docking Connector and press it gently home.

To remove your iPod from the dock:

- Grip the iPod at the sides.
- Lift the iPod gently from the dock.

CHARGING AN iPod

When an iPod is docked and the **FUNCTION** slide switch is set to the iPod, CD or RADIO positions, the iPod will begin to charge automatically.

PLAYING FROM AN iPod

Once an iPod is docked, you can play music from the iPod through your radio.

Playing from a docked iPod:

- Move the **FUNCTION** slide switch on the top panel to select the iPod position.
- Set the iPod to play.

You can also operate your iPod functions from the control panel or the remote control.

iPod playback functions:

- Press the ►|| button to toggle between Play and Pause mode at any time.
- Press the ►► or ◀◀ button on the front panel or the remote control to select the next or previous track on your iPod.

iPod menu functions:

When an iPod is docked and playing you can navigate the menus from the keys on the remote control.

- To move up through the iPod menu, press **MENU**.
- To scroll up and down options displayed on the iPod menu, press the **UP** or **DOWN** button.
- To select menu items, press the **ENTER** button on the remote control.

To change repeat modes:

- Press the **REPEAT** button repeatedly to cycle through the repeat mode options available.

The repeat mode set will show on the iPod display.

To set shuffle mode:

- Press the **RANDOM** button repeatedly to switch shuffle mode on or off.

The shuffle mode symbol will show on the iPod display when set.

PLAYING A CD

You can load and play music CDs and navigate a CD using the buttons on the remote control or the front panel.

First time use:

- Lift the CD door to open the CD loading bay.
- Remove any transit packing that may be fitted to protect the CD player in shipping.

Selecting CD operation:

- Move the **FUNCTION** slide switch on the top panel to select the CD position.

The display on the front panel will light.

Loading a CD:

- Lift the CD door to open the CD loading bay.
- Holding the disc by the edges, place the disc on the turntable in the centre of the CD loading bay with the label uppermost.
- Gently close the CD door.

The unit will read the disc and display the total number of tracks on the disc.

Removing a CD:

- Ensure that the CD is stopped.
- Lift the CD door to open the CD loading bay.
- Holding the disc by the edges, lift the disc off the turntable and place it back in the case.
- Gently close the CD door.

Playing a CD:

- Press the ►|| button.

The play symbol will appear on the display.

Pausing a CD:

- Press the ►|| button while the CD is playing.

The display will flash.

Stopping CD play:

- Press the ■ button (or **STOP** button on the remote control) while the CD is playing.

The CD will stop.

Selecting tracks:

- Press the ►| or |◀ button to select the next or previous track.

NOTE:- When pressing |◀ while playing a track, the first press will replay the current track.

Fast search:

- Press and **hold** the ►| or |◀ button to fast search forward or backward through a track.

The track will search at high speed.

Repeat play:

- Press the **REPEAT** button to cycle through the available repeat modes - 'Repeat 1', 'Repeat all' or 'Repeat off'.

The mode selected will be shown on the display.

Selecting 'Repeat 1' will continuously repeat the current track.

Selecting 'Repeat all' will repeat the entire disc continuously.

Random play:

- Press the **RANDOM** button to turn Random play on or off.

RANDOM will be shown on the display.

Random play will play the tracks on the disc in a random order.

NOTE:- Random play can be set at the same time as 'Repeat All' to repeat the contents of the disc in a random order.

PROGRAM PLAY

You can load a disc and store a programmed selection of up to 20 tracks to play from the disc in your preferred sequence.

To set a program:

- Load a disc and wait for it to read.
- Press the **PROGRAM** button (or **PROG** on the remote control).

The display will show 01 briefly (the position of this track in the program), then flash 00 PROG.

- Select the track number you want to program by pressing the ►| or |◀ button.
- To save this track into the program sequence, press the **PROGRAM** button.

The display will show 02 briefly, then flash 00 PROG.

- Repeat these two steps until you have stored all the tracks in the program sequence.

Playing the program:

- Press the ►|| button to start the program playing.

The program will begin to play and the PROG will show on the display to show that a program is being played.

Selecting tracks:

- You can navigate through the tracks stored in the program by pressing the ►| or |◀ button.

AUX SOURCES

The AUX IN jack may be used to connect sound sources with a Line or Headphone analogue output to play through your unit. These may include -

- iPod models that cannot be docked to the unit
- MP3 players
- CD walkman players
- Tape walkman players
- Personal computers or laptops

Connecting to the AUX IN jack

- Connect a stereo 3.5mm jack cable (not supplied) between the headphone or LINE/AUX output of the personal audio player and the AUX IN jack on the top panel.

Playing the AUX source

- Move the **FUNCTION** slide switch on the top panel to select the AUX IN position.
- Set your personal audio player/computer to PLAY.
- Set the listening volume to the level you want with the volume control on the radio.

If there is no sound or if the volume level is not loud enough, you may need to increase the volume setting on your personal audio player/computer.

TROUBLESHOOTING

Poor quality radio reception

The aerial signal may not be adequate. Try repositioning the telescopic aerial (FM band) or rotating the unit (AM band)..

No sound/low volume from AUX source:

Check that the volume control is turned up on the AUX source.

Poor quality radio reception when an iPhone is docked:

You may need to set the iPhone to 'airplane' mode when docked.

CARE AND MAINTENANCE

CARE AND CLEANING

All care and cleaning operations should be carried out with the unit unplugged from the mains power.

The surface of the unit can be cleaned with a barely damp cloth and then dried carefully. Never use abrasives, abrasive cloths or chemical solvents .

WARRANTY & SPECIFICATIONS

SPECIFICATIONS

Supply Voltage: 230V ~, 50Hz

Power consumption 15W

Frequency range 87.5-108.0MHz (FM)
522-1620kHz (AM)

Net Weight: 1.785kg



Class II construction double insulated.

This product must not be connected to earth.



UK: Waste electrical products/batteries should not be disposed of with household waste. Separate disposal facilities exist, for your nearest facilities see www.recycle-more.co.uk or in-store for details.

ROI: Produced after 13th August 2005. Waste electrical products/batteries should not be disposed of with household waste. Please recycle where facilities exist. Check with your Local Authority or retailer for recycling advice.

WARRANTY

Your Tesco appliance is covered by a warranty for 12 months from the date of purchase. If a fault develops during this period, please contact the TESCO electrical help line on 0845 456 6767. Please have your original purchase receipt with you when you call. This warranty in no way affects your consumer rights.

Technika

Tesco Stores Ltd,
Delamare Road, Cheshunt, Herts, EN8 9SL

▲ **Technika Helpline: 0845 456 6767** (Calls cost up to 4p per minute from a BT landline, other providers may vary)

BB1291V0.2

Free Manuals Download Website

<http://myh66.com>

<http://usermanuals.us>

<http://www.somanuals.com>

<http://www.4manuals.cc>

<http://www.manual-lib.com>

<http://www.404manual.com>

<http://www.luxmanual.com>

<http://aubethermostatmanual.com>

Golf course search by state

<http://golfingnear.com>

Email search by domain

<http://emailbydomain.com>

Auto manuals search

<http://auto.somanuals.com>

TV manuals search

<http://tv.somanuals.com>